

0CW10-M29100EN

P R E F A C E

1. This parts catalog is the 1st edition of 4TNV98-ZWVC4U, 4TNV98-ZWVC4UM, 4TNV98-ZWVC4UF for Volvo Construction Equipment.

Pub. No. : 0CW10-G29100

Published : November, 2007

2. Model name

Engine model	Vehicle	Vehicle made by
4TNV98-ZWVC4U 4TNV98-ZWVC4UM 4TNV98-ZWVC4UF	EXCAVATOR	Volvo Construction Equipment

How to read this Parts Catalog.

1. Parts mentioned in Parts Catalog may not necessarily be standard equipping parts
2. Parts change may be made without prior notice.
3. Form of this Parts Catalog.

REF.	LEV.	PARTS No.	DESCRIPTION	QTY.						I	R
				(A)	(B)	(C)	(D)	(E)	(F)		
1		729595-51390	FUEL INJECTION PUMP	1	1	1	1	1			
1-1	1	729595-51391	FUEL INJECTION PUMP	1	1	1	1	1		N	1
3	2	26022-060162	SCREW M 6X16	9	9	9	9	9			
1 3-1	2	26022-060162	SCREW M 6X16	4	4	4	4	4			K
4	2	129470-51040	CAMSHFT	9	9	9	9	9			
5	2	122710-51050	BEARING. ROLLER	9	9	9	9	9			
6	2	129470-51060	RETAINER	9	9	9	9	9			

Remarks	(1) BOOST COMPEMSATOR TYPE. OPTIONAL PART. TO E#00155 (4JH-DT, 4JH-DTZ)
---------	---

①Ref. No,

The Ref. No, in the list may not be in accordance with the Ref. No, on illustration.

(Ex.) illustration No, List heed No,
 1 1 (Before change) → 1-1 (After change)

When interchangeable symbol N, and k, illustrations for the new parts are sometimes omitted.

②Lev. (Level)

Indication and Meaning of Level

Level Hereunder is given the relation among the number of number (1,2,3) the level and the nominal parent-child relationship.

1 ---- Parent parts (Assembly parts)

2 ---- Child parts included in " 1 " (Semi-Assembly parts, component parts of Assembly parts.)

3 ---- Child parts included in " 2 ", Grand-child parts in terms of " 1 ".

(Component parts of Semi-Assembly parts.)

Note) A parts of non-sale parts are illustrated but not listed.

③Change Mark

Change Mark " I " is given to the part for which a design change was made at this time.

The design change was not shown in the last published Parts Catalog.

④Interchangeability Mark

In the case where a part change took place, one of the following interchangeability marks is indicated for that part

Symbol	Interchangeability	Contents note
N	Old ← New	New Part is interchangeable for Old Part but not interchangeable conversely.
Q	Old ← New	New Part is not interchangeable for Old Part but interchangeable conversely.
R	Old ← New	New Part is interchangeable for Old Part and vice versa.
S	Old ← New	New Part is not interchangeable for Old Part and vice versa.
W		Part newly added.
Z		Part discontinued.
F		Not interchangeable single part but interchangeable by set of the related parts.
K		Changed only in quantity used.

⑤Effective Machine No,

When a part is changed, Effective Machine No, of a Model for which the part is applicable is indication

In each column of (A)-(F).

Product Symbol	Product No,	Product Symbol	Product No,
C	Clutch No, Compressor No,	M	Machine No,
D	Drive No,	T	Tractor No,
E	Engine No,	Note 1)※	Date

Note 1) Date may follow the symbol in some cases.(Ex.) ※1996.01

Note 2) As far as engine models shown by " XXX " are concerned, the modification of the parts could not be Predicted or the engine models themselves could not be identified.

Note 3) (A=E/#00185) means that the design change on the part has been effective for the model at the, column (A) (in the case, for 4JH-DT) on and from E/#(Engine Serial Number) 00185

⑥Remarks Mark

Figures or alphabets (Symbols) are entered in the remark column.

The comments (remarks) on the pertinent parts are indicated in the lower part of the list by the same symbols a those stated above.

Fig. No. Fig. Name

4TNV98-ZWVC4U

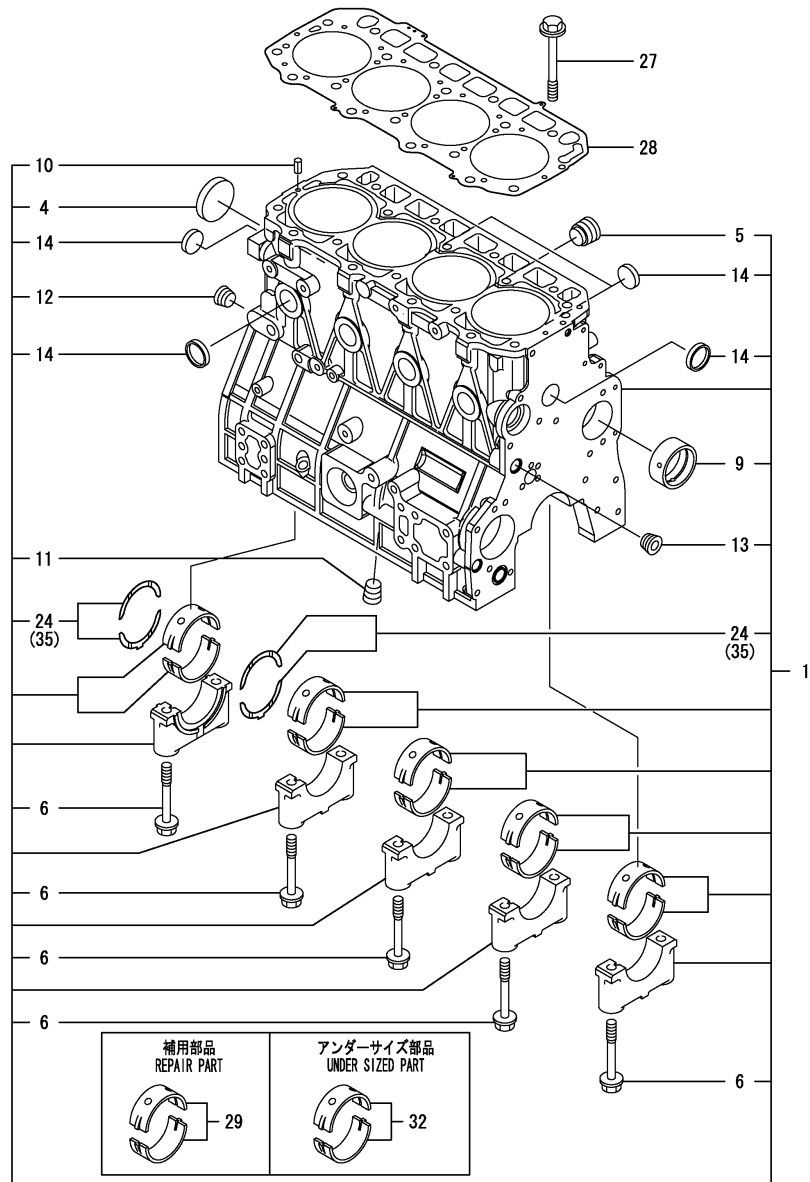
1. CYLINDER BLOCK
2. GEAR HOUSING
3. FLYWHEEL HOUSING & OIL SUMP
4. CYLINDER HEAD & BONNET
5. SUCTION MANIFOLD
6. EXHAUST MANIFOLD
7. CAMSHAFT & DRIVING GEAR
8. CRANKSHAFT & PISTON
9. LUB.OIL SYSTEM
10. COOLING WATER SYSTEM
11. FUEL INJECTION PUMP
12. GOVERNOR
13. FUEL INJECTION VALVE
14. FUEL LINE
15. STARTING MOTOR
16. GENERATOR
17. TENSION PULLEY
18. ELECTRONIC CONTROL UNIT (ECU)
19. GASKET SET

Fig. No. Fig. Name



(A)=4TNV98-ZWVC4U
 (B)=4TNV98-ZWVC4UM
 (C)=4TNV98-ZWVC4UF

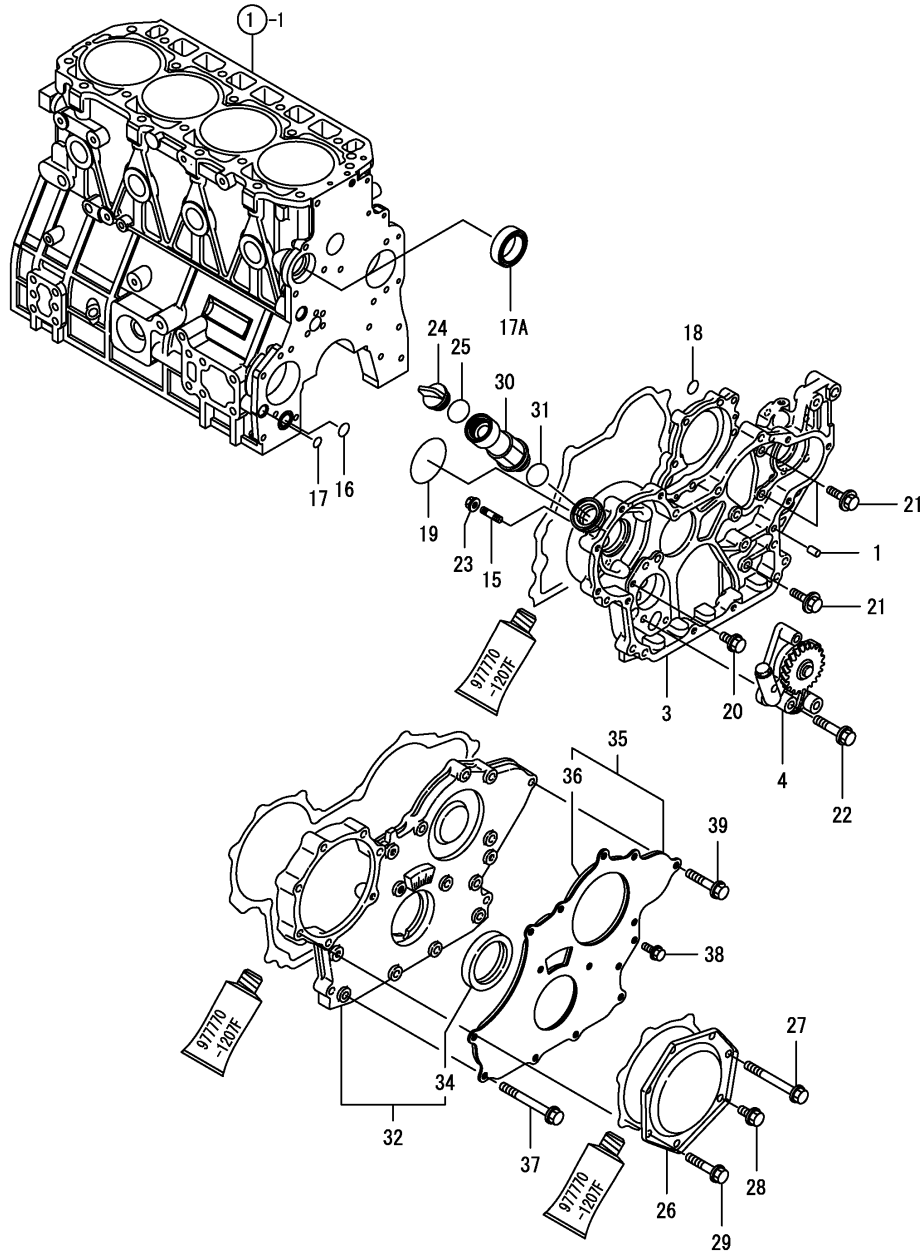
(D)=
 (E)=
 (F)=



No.	Lev.	Parts No.	Description	Q'ty						I	R
				(A)	(B)	(C)	(D)	(E)	(F)		
1	1	729927-01560	BLOCK ASSY, CYLINDER	1	1	1					
4	2	129900-01250	PLUG, DISH TYPE 55	1	1	1					
5	2	171051-01921	PLUG, NPTF1	1	1	1					
6	2	129900-02020	BOLT, METAL CAP	10	10	10					
9	2	129900-02410	BUSH, CAMSHAFT	1	1	1					
10	2	22351-060012	PIN, SPRING 6.0X12	2	2	2					
11	2	23876-030000	PLUG, R03	1	1	1					
12	2	23876-030000	PLUG, R03	1	1	1					
13	2	23876-030000	PLUG, R03	1	1	1					
14	2	27241-300000	PLUG 30	8	8	8					
24	2	129900-02931	BEARING ASSY, THRUST	2	2	2					
27	1	129900-01200	BOLT, CYLINDER HEAD	18	18	18					
28	1	129907-01331	GASKET, HEAD	1	1	1					
29	1	729900-02801	BEARING, MAIN	5	5	5					1
32	1	129900-02341	BEARING ASSY, MAIN	5	5	5					2
35	1	129900-02941	BEARING, THRUST 0.25	2	2	2					3

Remarks

- (1) REPAIR PART.
- (2) UNDER-SIZED(U.S=0.25)PART.
- (3) OVER-SIZED(O.S=0.25)PART.



(A)=4TNV98-ZWVC4U
 (B)=4TNV98-ZWVC4UM
 (C)=4TNV98-ZWVC4UF

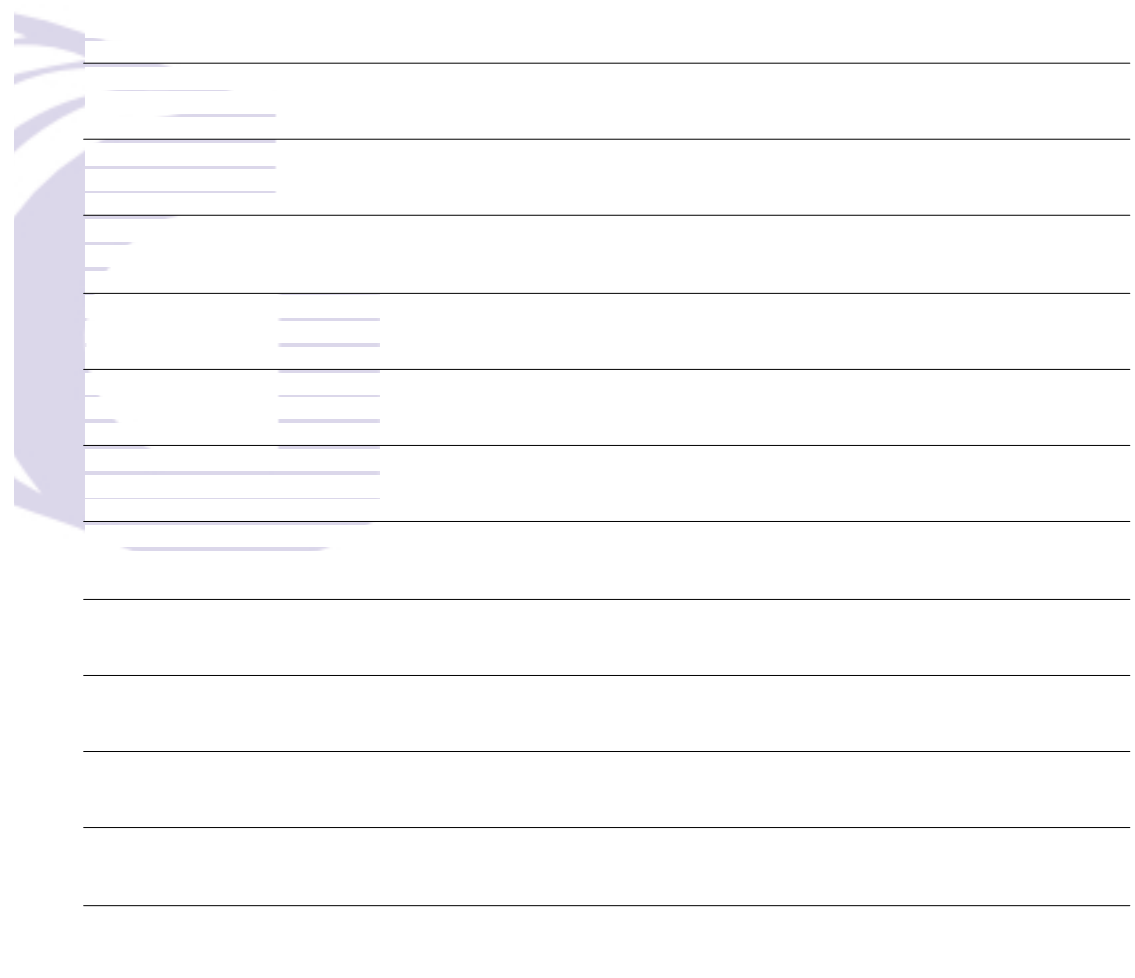
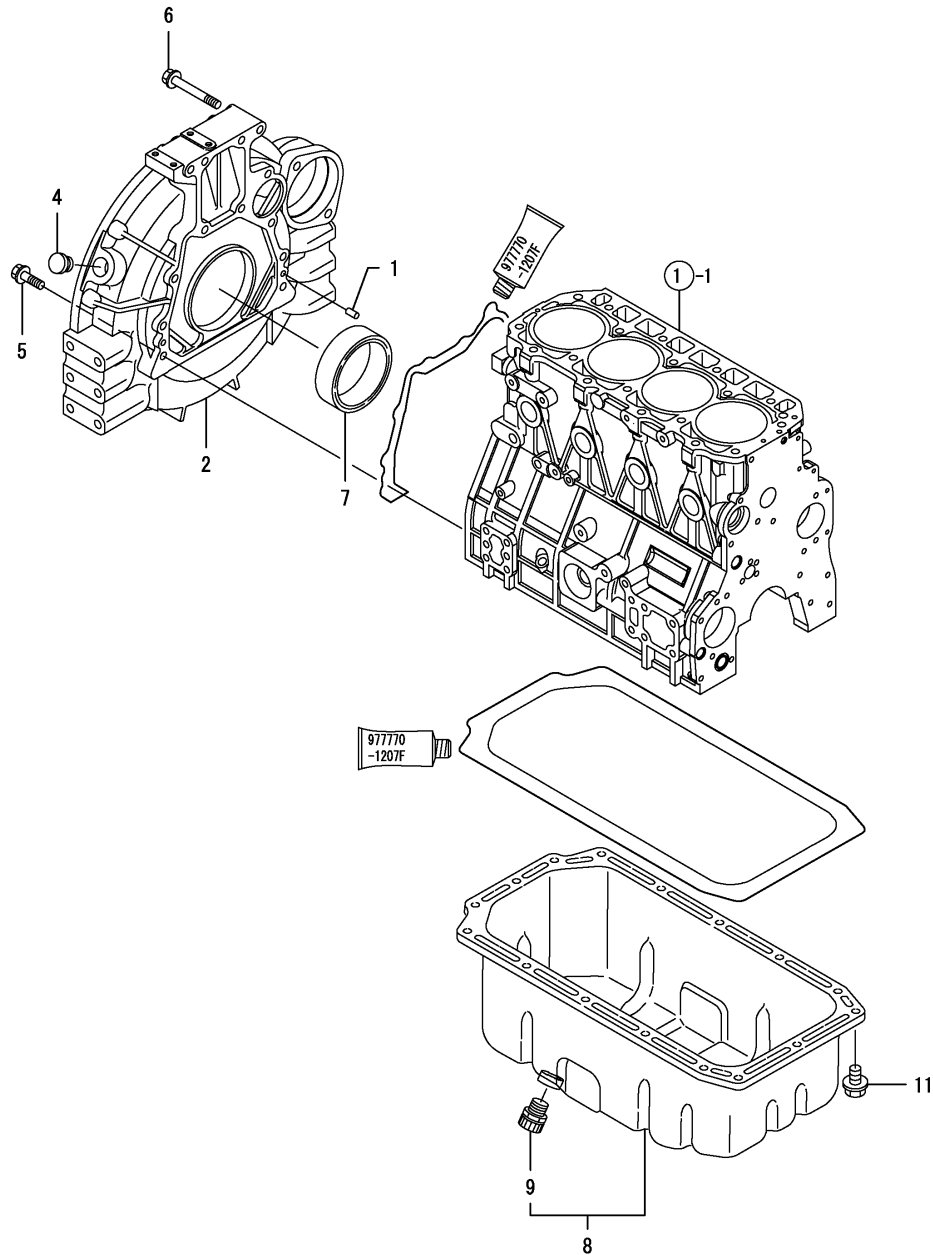
(D)=
 (E)=
 (F)=

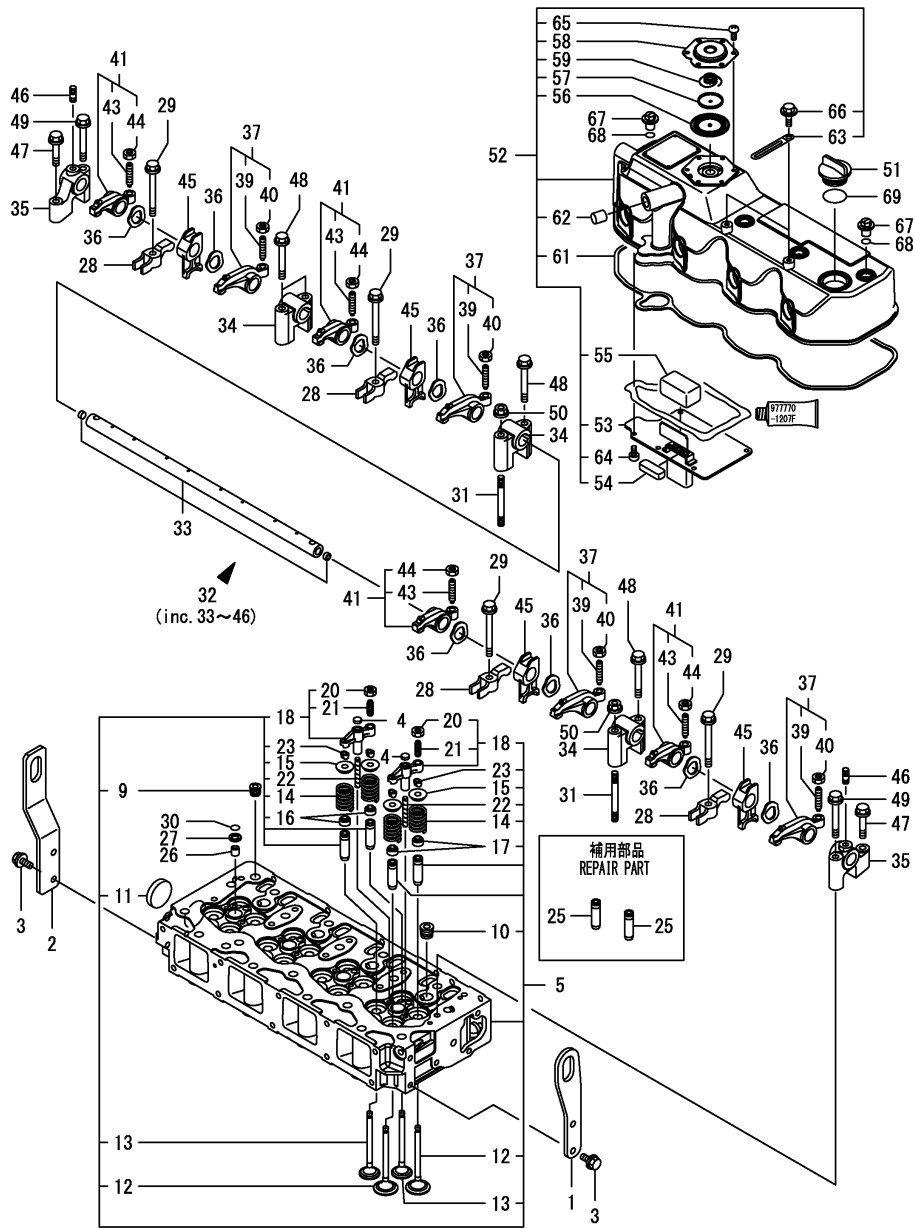
No.	Lev.	Parts No.	Description	Qty						I	R
				(A)	(B)	(C)	(D)	(E)	(F)		
1	1	129100-01580	PIN, PARALLEL 8X16	4	4	4					
3	1	129944-01500	CASE, GEAR	1	1	1					
4	1	129900-32001	PUMP ASSY, OIL	1	1	1					
15	1	26216-100302	STUD, M10X 30	4	4	4					
16	1	129900-32030	O-RING, P20	1	1	1					
17	1	129900-32040	O-RING, P14	1	1	1					
17A	1	129927-42140	GASKET, PUMP OUTLET	1	1	1					W
		(A=E12279) (B=*2014.09) (C=E13029)									
18	1	24311-000070	O-RING, 1AP7.0	1	1	1					
19	1	24351-030750	O-RING, 1A3075	1	1	1					
20	1	26106-080162	BOLT, M8X 16 PLATED	1	1	1					
21	1	26106-080202	BOLT, M8X 20 PLATED	3	3	3					
22	1	26106-080452	BOLT, M8X 45 PLATED	3	3	3					
23	1	26306-100002	NUT, M10	4	4	4					
24	1	124160-01751	CAP, FILLER	1	1	1					
25	1	24311-000320	O-RING, 1AP32.0	1	1	1					
26	1	129900-01740	COVER	1	1	1					
27	1	129001-91810	BOLT, M8X70	1	1	1					
28	1	26106-080162	BOLT, M8X 16 PLATED	1	1	1					
29	1	26106-080402	BOLT, M8X 40 PLATED	5	5	5					
30	1	171031-11741	PIPE	1	1	1					
31	1	24311-000320	O-RING, 1AP32.0	1	1	1					
32	1	729907-01559	COVER ASSY,GEAR CASE	1	1	1					
34	2	129916-01800	SEAL, OIL	1	1	1					
35	1	129900-01850	COVER ASSY,GEAR CASE	1	1	1					
36	2	129900-01870	SPONGE, GEAR CASE	1	1	1					
37	1	129001-91810	BOLT, M8X70	6	6	6					
38	1	26106-080162	BOLT, M8X 16 PLATED	3	3	3					
39	1	26106-080402	BOLT, M8X 40 PLATED	5	5	5					

(A)=4TNV98-ZWVC4U
 (B)=4TNV98-ZWVC4UM
 (C)=4TNV98-ZWVC4UF

(D)=
 (E)=
 (F)=

No.	Lev.	Parts No.	Description	Q'ty						I	R
				(A)	(B)	(C)	(D)	(E)	(F)		
1	1	129100-01580	PIN, PARALLEL 8X16	2	2	2					
2	1	129900-01620	HOUSING, FLYWHEEL	1	1	1					
4	1	119620-01750	CAP	1	1	1					
5	1	26206-100352	BOLT, M10X 35 PLATED	9	9	9					
6	1	26206-100702	BOLT, M10X 70 PLATED	4	4	4					
7	1	129916-01790	SEAL, D115/95XT11	1	1	1					
8	1	129906-01700	SUMP ASSY, OIL	1	1	1					
9	2	129906-01640	COCK, DRAIN	1	1	1					
11	1	26106-080122	BOLT, M8X 12 PLATED	16	16	16					



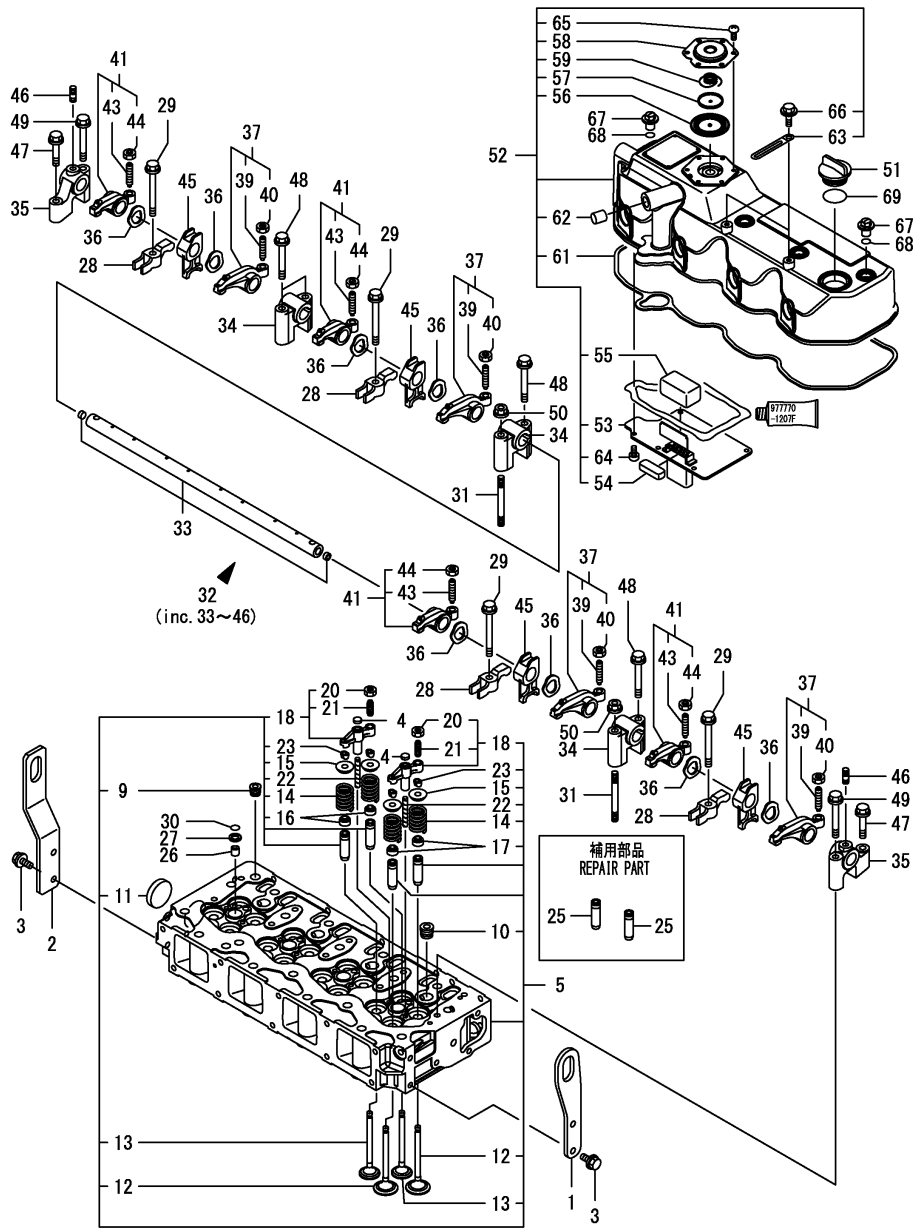


(A)=4TNV98-ZWVC4U
 (B)=4TNV98-ZWVC4UM
 (C)=4TNV98-ZWVC4UF

(D)=
 (E)=
 (F)=

No.	Lev.	Parts No.	Description	Q'ty						I	R
				(A)	(B)	(C)	(D)	(E)	(F)		
1	1	129907-07900	LIFTER, ENGINE	1	1	1					
2	1	129939-07920	LIFTER	1	1	1					
3	1	26106-080162	BOLT, M8X 16 PLATED	4	4	4					
4	1	123907-11550	SEAT, VALVE BRIDGE	8	8	8					
5	1	129927-11700	HEAD ASSY, CYLINDER	1	1	1					
9	2	23876-020000	PLUG, R02	1	1	1					
10	2	23876-030000	PLUG, R03	4	4	4					
11	2	27241-400000	PLUG, 40	1	1	1					
12	2	129907-11100	VALVE, SUCTION	8	8	8					
13	2	129907-11110	VALVE, EXHAUST	8	8	8					
14	2	129907-11120	SPRING, VALVE	16	16	16					
15	2	119620-11180	RETAINER, SPRING	16	16	16					
16	2	119803-11340	SEAL, VALVE STEM	8	8	8					
17	2	124160-11340	SEAL, VALVE STEM	8	8	8					
18	2	129907-11510	BRIDGE ASSY, VALVE	8	8	8					
20	3	129150-11750	NUT, M8	8	8	8					
21	3	123907-11830	ADJUSTER	8	8	8					
22	2	123907-11820	GUIDE, BRIDGE	8	8	8					
23	2	27310-070001	COTTER, 7	16	16	16					
25	1	129907-11800	GUIDE, VALVE	16	16	16					1
26	1	119802-11870	PROTECTOR, NOZZLE	4	4	4					
27	1	119625-11880	SEAT, NOZZLE	4	4	4					
28	1	129907-11910	RETAINER, NOZZLE	4	4	4					
29	1	129907-11950	BOLT, M8X7.5	4	4	4					
30	1	24311-000120	O-RING, 1AP12.0	4	4	4					
31	1	119593-11301	BOLT, STUD M8X80	2	2	2					
32	1	129907-11341	SHAFT ASSY, ROCKER	1	1	1					
33	2	129907-11250	SHAFT, ROCKER ARM	1	1	1					
34	2	129907-11260	SUPPORT, ROCKER ARM	3	3	3					
35	2	129907-11270	SUPPORT, ROCKER ARM	2	2	2					
36	2	123907-11280	WASHER	8	8	8					
37	2	129907-11650	ARM ASSY, ROCKER	4	4	4					
39	3	129150-11230	SCREW, VALVE ADJUST	4	4	4					
40	3	129150-11750	NUT, M8	4	4	4					
41	2	129907-11660	ARM ASSY, ROCKER	4	4	4					
43	3	129150-11230	SCREW, VALVE ADJUST	4	4	4					
44	3	129150-11750	NUT, M8	4	4	4					
45	2	129907-11920	RETAINER, NOZZLE	4	4	4					
46	2	26226-080222	STUD, M8X 22	2	2	2					
47	1	26106-080402	BOLT, M8X 40 PLATED	2	2	2					
48	1	26106-080602	BOLT, M8X 60 PLATED	4	4	4					
49	1	26106-080602	BOLT, M8X 60 PLATED	2	2	2					
50	1	26306-080002	NUT, M8	2	2	2					
51	1	124160-01751	CAP, FILLER	1	1	1					
52	1	129927-11320	BONNET ASSY, HEAD	1	1	1					
53	2	129907-03011	PLATE, BAFFLE	1	1	1					
54	2	129907-03061	BAFFLE, BREATHER	1	1	1					
55	2	129907-03070	BAFFLE, BREATHER	1	1	1					
56	2	123907-03100	DIAPHRAGM	1	1	1					
57	2	123907-03110	PLATE	1	1	1					
58	2	123907-03120	PLATE, BREATHER	1	1	1					

Remarks
 (1) REPAIR PART.



(A)=4TNV98-ZWVC4U
 (B)=4TNV98-ZWVC4UM
 (C)=4TNV98-ZWVC4UF

(D)=
 (E)=
 (F)=

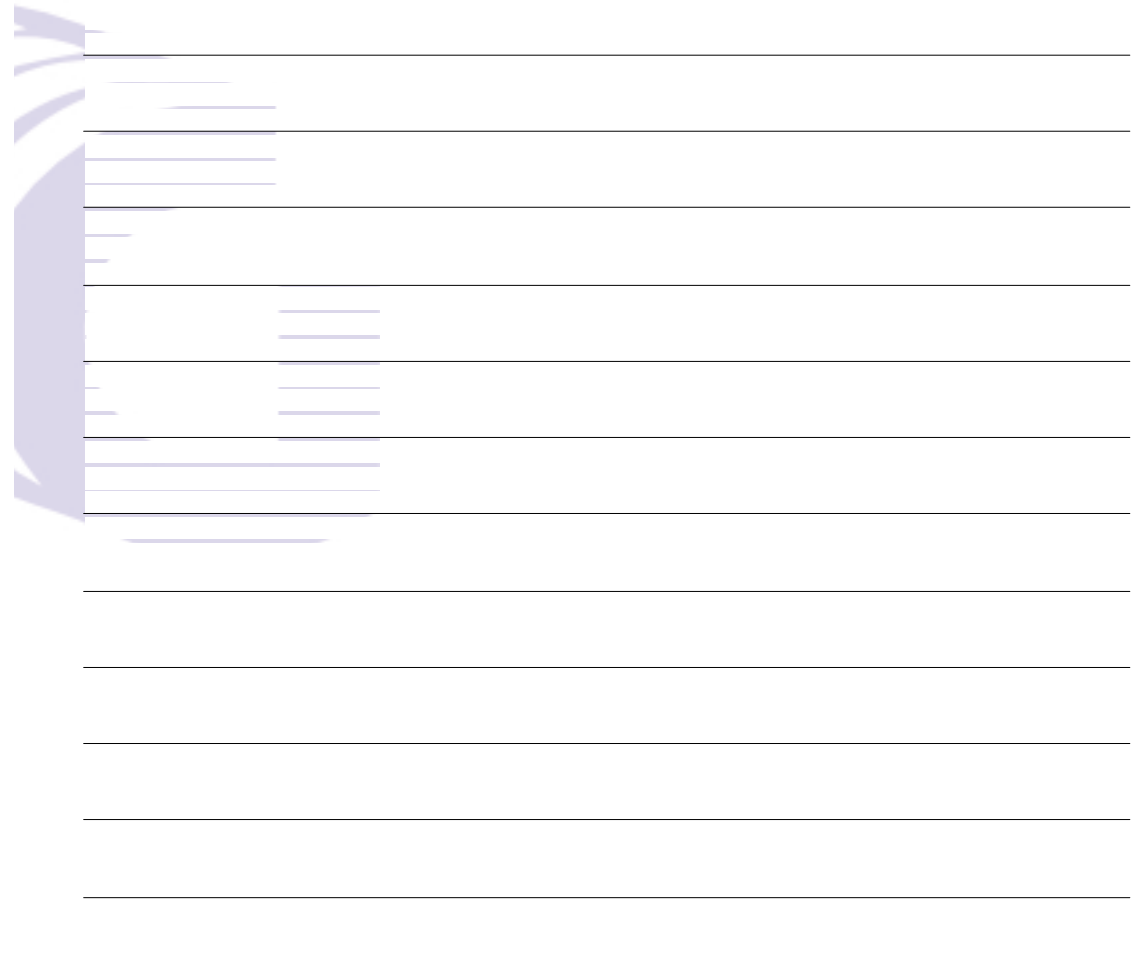
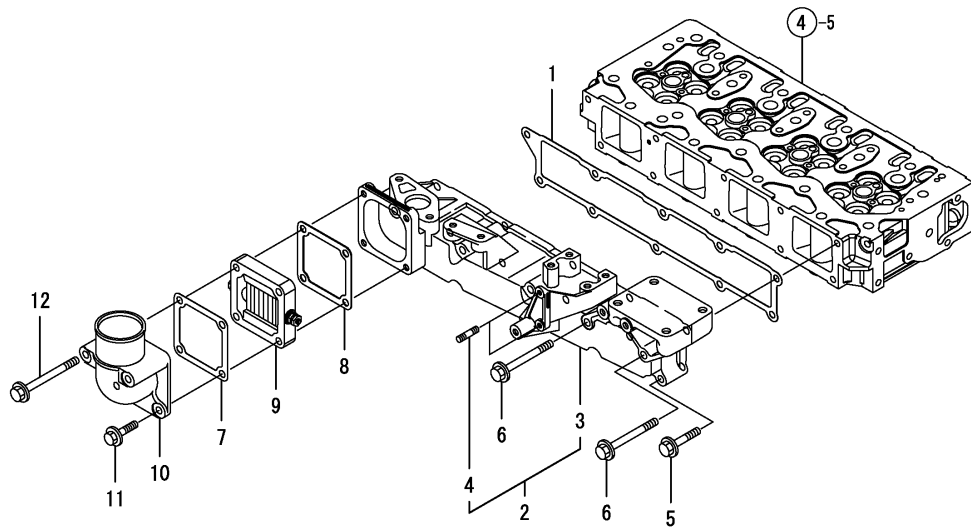
No.	Lev.	Parts No.	Description	Q'ty						I	R
				(A)	(B)	(C)	(D)	(E)	(F)		
59	2	123907-03140	SPRING, DIAPHRAGM	1	1	1					
61	2	129933-11310	GASKET, BONNET	1	1	1					
62	2	119640-61400	PLUG	1	1	1					
63	2	175339-79700	CLIP	2	2	2					
64	2	22857-500100	SCREW, 5X10	6	6	6					
65	2	22857-500100	SCREW, 5X10	6	6	6					
66	2	26106-060122	BOLT, M6X 12 PLATED	2	2	2					
67	1	124160-11360	KNOB	4	4	4					
68	1	24311-000120	O-RING, 1AP12.0	4	4	4					
69	1	24311-000320	O-RING, 1AP32.0	1	1	1					

Remarks
 (1) REPAIR PART.

(A)=4TNV98-ZWVC4U
 (B)=4TNV98-ZWVC4UM
 (C)=4TNV98-ZWVC4UF

(D)=
 (E)=
 (F)=

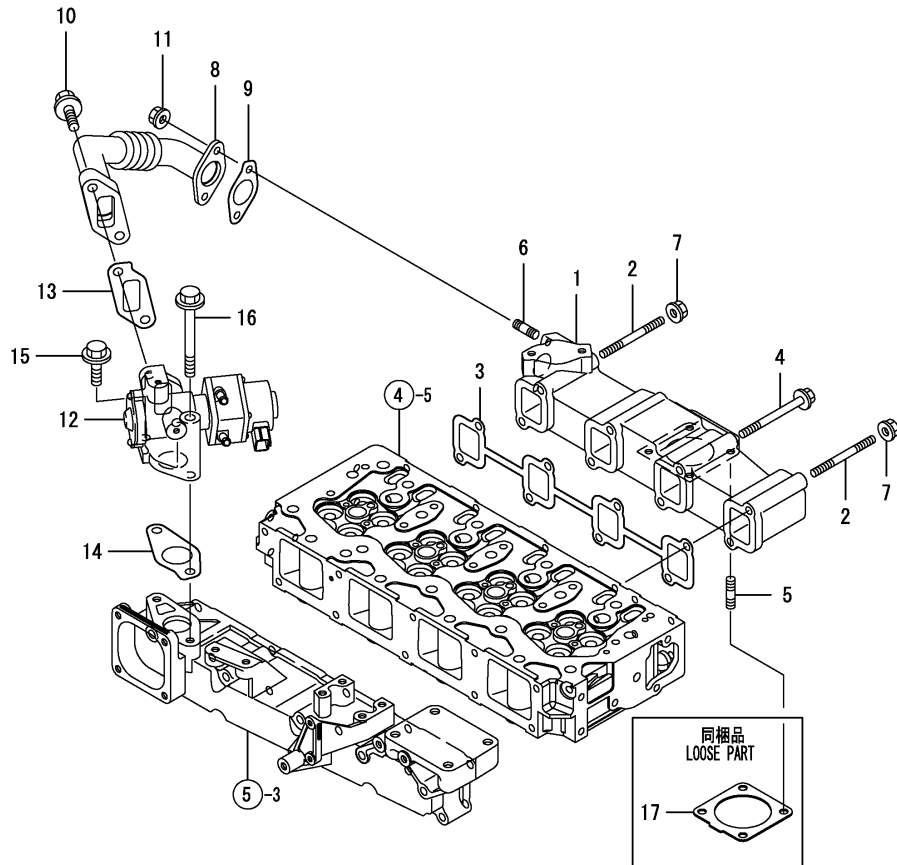
No.	Lev.	Parts No.	Description	Q'ty						I	R
				(A)	(B)	(C)	(D)	(E)	(F)		
1	1	129907-12110	GASKET, MANIFOLD	1	1	1					
2	1	129939-12150	MANIFOLD ASSY,INTAKE	1	1	1					
3	2	129939-12100	MANIFOLD, AIR INTAKE	1	1	1					
4	2	26216-060202	STUD, M6X 20	2	2	2					
5	1	26106-080452	BOLT, M8X 45 PLATED	5	5	5					
6	1	26106-080802	BOLT, M8X 80 PLATED	5	5	5					
7	1	119129-77020	GASKET	1	1	1					
8	1	121850-77021	GASKET, AIR HEATER	1	1	1					
9	1	119005-77051	HEATER, AIR	1	1	1					
10	1	119129-77520	BEND	1	1	1					
11	1	26106-080402	BOLT, M8X 40 PLATED	2	2	2					
12	1	26106-080902	BOLT, M8X 90 PLATED	2	2	2					



(A)=4TNV98-ZWVC4U
 (B)=4TNV98-ZWVC4UM
 (C)=4TNV98-ZWVC4UF

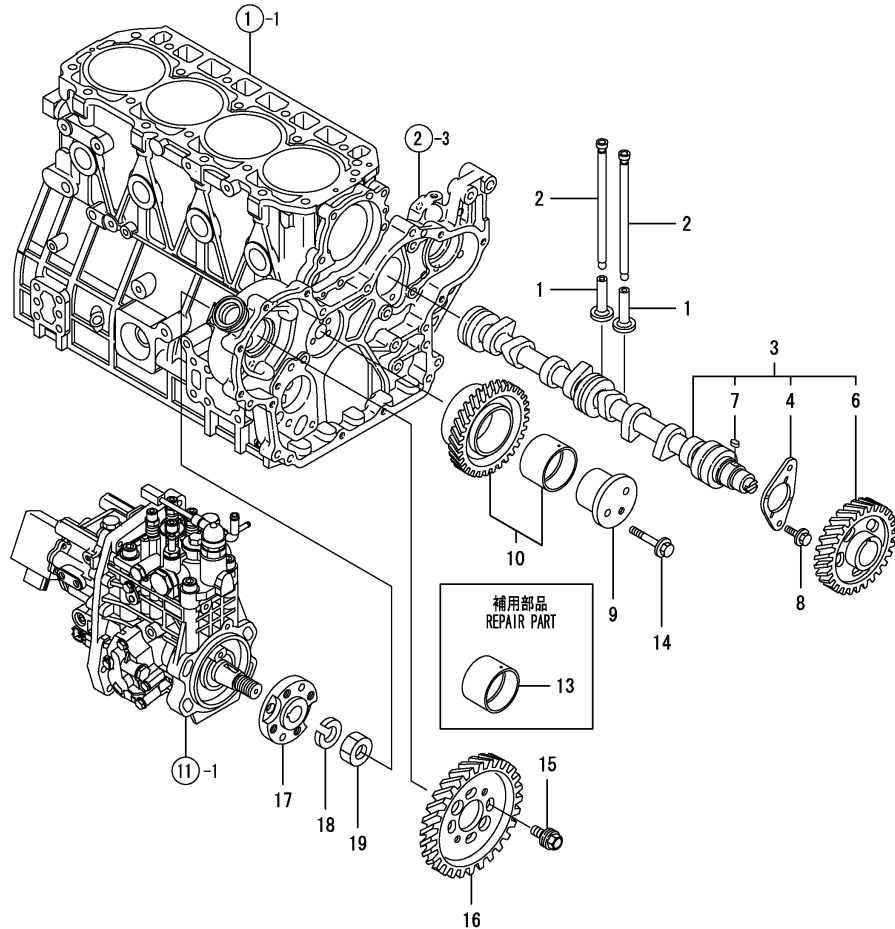
(D)=
 (E)=
 (F)=

No.	Lev.	Parts No.	Description	Q'ty						I	R
				(A)	(B)	(C)	(D)	(E)	(F)		
1	1	129939-13120	MANIFOLD, EXHAUST	1	1	1					
2	1	129263-13210	BOLT, STUD M8X90	2	2	2					
3	1	129900-13251	GASKET, EXH.MANIFOLD	1	1	1					
4	1	119802-13680	BOLT, M8X90 10.9T	6	6	6					
5	1	119131-18320	BOLT, STUD M8X22	4	4	4					
6	1	129418-18320	BOLT, STUD M8X20	2	2	2					
7	1	26306-080002	NUT, M8	2	2	2					
8	1	129927-13800	PIPE ASSY, EGR	1	1	1					
9	1	129927-13810	GASKET	1	1	1					
10	1	26106-100302	BOLT, M10X 30 PLATED	2	2	2					
11	1	26306-080002	NUT, M8	2	2	2					
12	1	129927-13900	VALVE, EGR	1	1	1					
13	1	129927-13910	GASKET, EGR	1	1	1					
14	1	129927-13920	GASKET, EGR	1	1	1					
15	1	26106-100302	BOLT, M10X 30 PLATED	1	1	1					
16	1	26106-100952	BOLT, M10X 95 PLATED	1	1	1					
17	1	129930-13201	GASKET, SILENCER	2	2	2					



(A)=4TNV98-ZWVC4U
 (B)=4TNV98-ZWVC4UM
 (C)=4TNV98-ZWVC4UF

(D)=
 (E)=
 (F)=

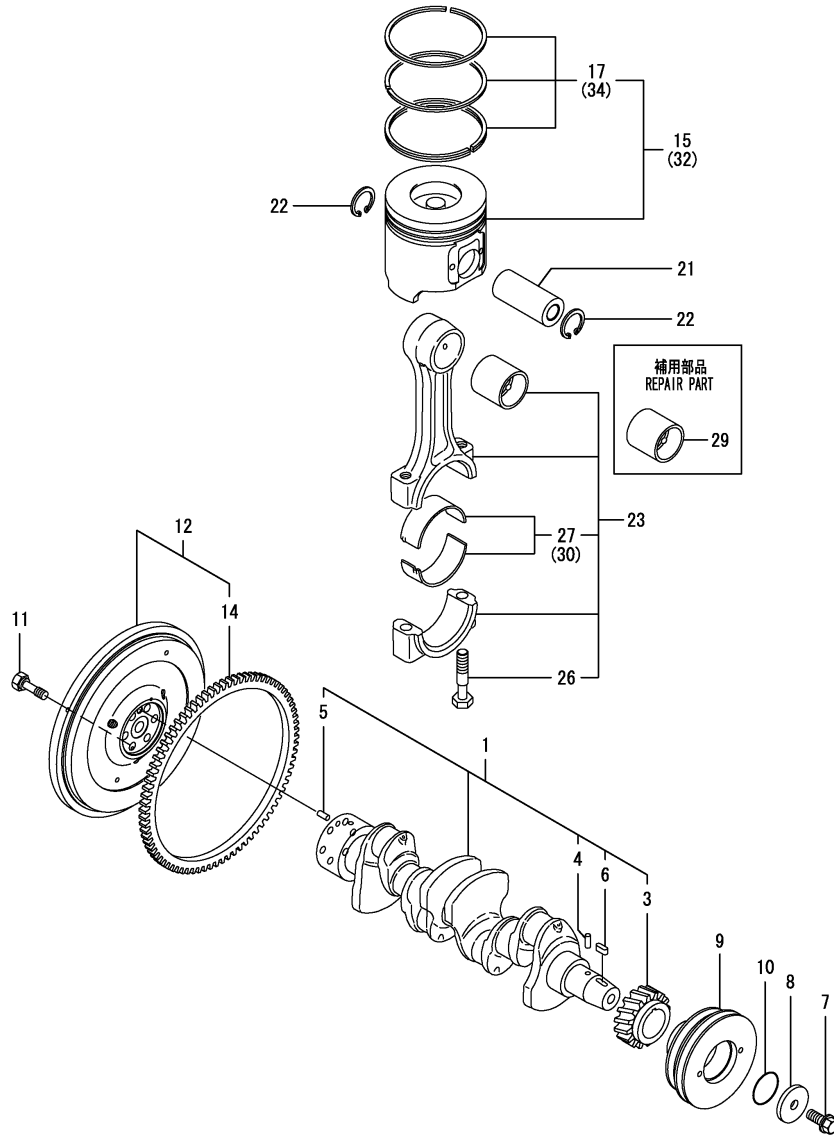


No.	Lev.	Parts No.	Description	Q'ty						I	R
				(A)	(B)	(C)	(D)	(E)	(F)		
1	1	129150-14200	TAPPET	8	8	8					
2	1	129907-14400	PUSH-ROD	8	8	8					
3	1	129908-14581	CAMSHAFT ASSY	1	1	1					
4	2	129150-02450	BEARING, THRUST	1	1	1					
6	2	129900-14100	GEAR, CAMSHAFT	1	1	1					
7	2	22512-070140	KEY, 7X 14	1	1	1					
8	1	26106-080162	BOLT, M8X 16 PLATED	2	2	2					
9	1	123900-25060	SHAFT, IDLE GEAR	1	1	1					
10	1	129900-25100	GEAR ASSY, IDLE	1	1	1					
13	1	129150-25920	BUSH, IDLE GEAR	1	1	1					1
14	1	26106-080552	BOLT, M8X 55 PLATED	3	3	3					
15	1	129953-25300	BOLT	4	4	4					
16	1	129907-25900	GEAR, PUMP	1	1	1					
17	1	158563-51150	FLANGE	1	1	1					
18	1	22217-180000	WASHER, SPRING 18	1	1	1					
19	1	26776-180002	NUT, LOCK M18	1	1	1					

Remarks
 (1) REPAIR PART.

(A)=4TNV98-ZWVC4U
 (B)=4TNV98-ZWVC4UM
 (C)=4TNV98-ZWVC4UF

(D)=
 (E)=
 (F)=

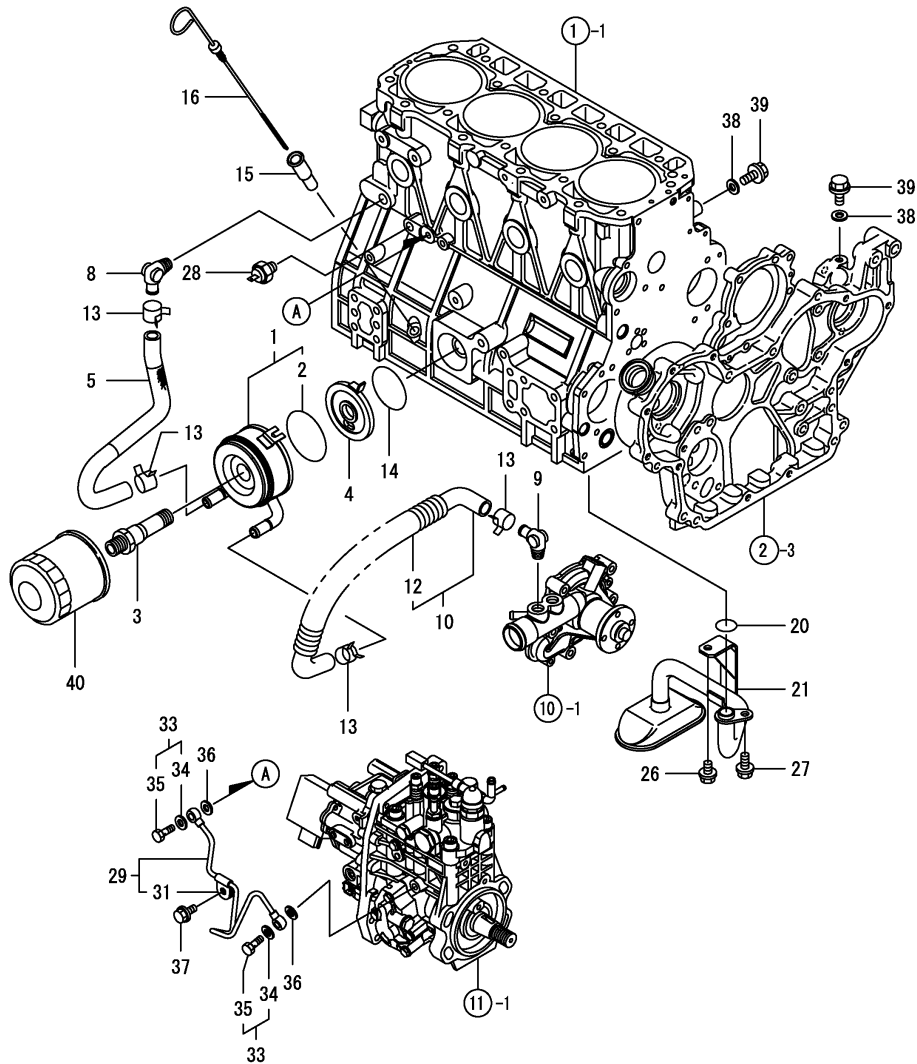


No.	Lev.	Parts No.	Description	Q'ty						I	R
				(A)	(B)	(C)	(D)	(E)	(F)		
1	1	129902-21000	CRANKSHAFT ASSY	1	1	1					
3	2	129900-21200	GEAR, CRANKSHAFT	1	1	1					
4	2	121850-21290	PIN	1	1	1					
5	2	121850-21920	PIN, PARALLEL 10X22	1	1	1					
6	2	22512-070140	KEY, 7X 14	1	1	1					
7	1	129916-21610	BOLT	1	1	1					
8	1	129960-21640	WASHER	1	1	1					
9	1	129916-21680	V-PULLEY, CRANKSHAFT	1	1	1					
10	1	24341-000530	O-RING, 1AS53.0	1	1	1					
11	1	121850-21130	BOLT, FLYWHEEL	6	6	6					
12	1	129907-21510	FLYWHEEL ASSY	1	1	1					
14	2	129900-21600	GEAR, RING	1	1	1					
15	1	129927-22080	PISTON ASSY	4	4	4					
17	2	129927-22050	RING SET, PISTON	4	4	4					
21	1	120130-22301	PIN, PISTON	4	4	4					
22	1	22252-000300	RING, 30	8	8	8					
23	1	129900-23001	ROD ASSY, CONNECTING	4	4	4					
26	2	129900-23200	BOLT, CONNECTING ROD	8	8	8					
27	2	129900-23601	BEARING, CRANK PIN	4	4	4					
29	1	129900-23911	BEARING, PISTON PIN	4	4	4					1
30	1	129900-23611	BEARING ASSY, 0.25US	4	4	4					2
32	1	729927-22900	PISTON ASSY, 0.25 OS	4	4	4					3
34	2	729927-22950	RING SET, 0.25 OS	4	4	4					3

Remarks

- (1) REPAIR PART.
- (2) UNDER-SIZED(U.S=0.25)PART.
- (3) OVER-SIZED(O.S=0.25)PART.

(A)=4TNV98-ZWVC4U
 (B)=4TNV98-ZWVC4UM
 (C)=4TNV98-ZWVC4UF

 (D)=
 (E)=
 (F)=


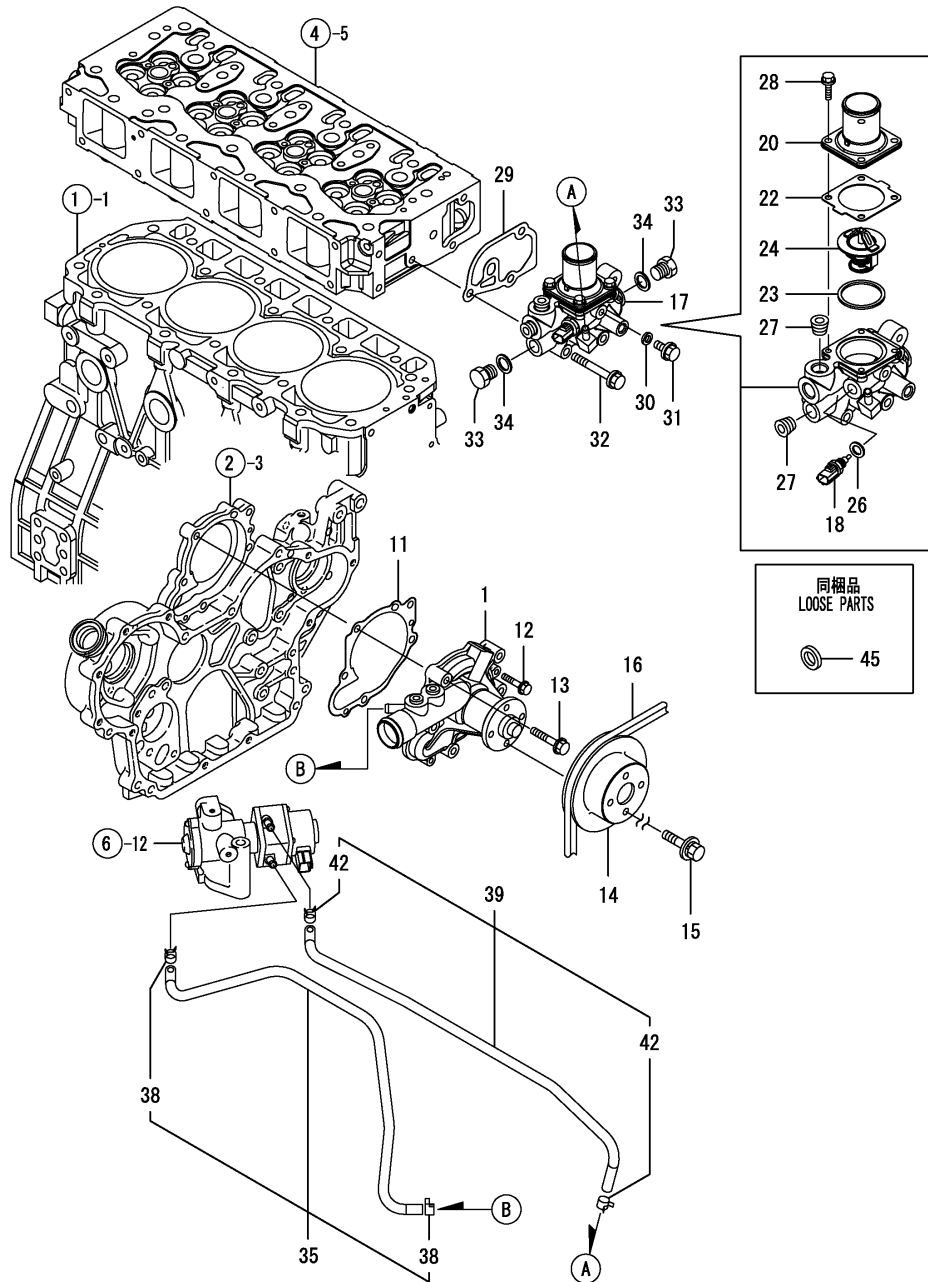
No.	Lev.	Parts No.	Description	Q'ty						I	R
				(A)	(B)	(C)	(D)	(E)	(F)		
1	1	129907-33010	COOLER ASSY, OIL	1	1	1					
2	2	123912-33050	O-RING	1	1	1					
3	1	123912-33100	BOLT, COOLER	1	1	1					
4	1	129908-33101	BRACKET, OIL COOLER	1	1	1					
5	1	129907-49050	PIPE ASSY, WATER	1	1	1					
8	1	129103-49301	ELBOW, PT1/4	1	1	1					
9	1	129466-49300	ELBOW, PT3/8	1	1	1					
10	1	129907-49630	PIPE ASSY, WATER	1	1	1					
12	2	129907-49650	TUBE, CORRUGATED	1	1	1					
13	1	23000-025000	CLAMP, 25	4	4	4					
14	1	24321-000600	O-RING, 1AG60.0	1	1	1					
15	1	121520-34810	GUIDE, DIPSTICK	1	1	1					
16	1	129906-34851	DIPSTICK	1	1	1					
20	1	129900-32030	O-RING, P20	1	1	1					
21	1	129953-35000	PIPE ASSY, OIL INLET	1	1	1					
26	1	26106-080122	BOLT, M8X 12 PLATED	1	1	1					
27	1	26106-080162	BOLT, M8X 16 PLATED	1	1	1					
28	1	119761-39450	SWITCH, HYDRAULIC	1	1	1					
29	1	129927-39060	PIPE ASSY, OIL	1	1	1					
31	2	123907-39500	RETAINER, PIPE	1	1	1					
33	1	129005-59830	BOLT ASSY, JOINT M8	2	2	2					
34	2	22190-080002	WASHER, SEAL 6	2	2	2					
35	2	23857-030000	BOLT, JOINT 3	2	2	2					
36	1	22190-080002	WASHER, SEAL 6	2	2	2					
37	1	26106-080122	BOLT, M8X 12 PLATED	1	1	1					
38	1	22190-080002	WASHER, SEAL 6	2	2	2					
39	1	26106-080122	BOLT, M8X 12 PLATED	2	2	2					
40	1	129923-35160	FILTER, LO	1	1	1					1

Remarks

(1) Spare parts.

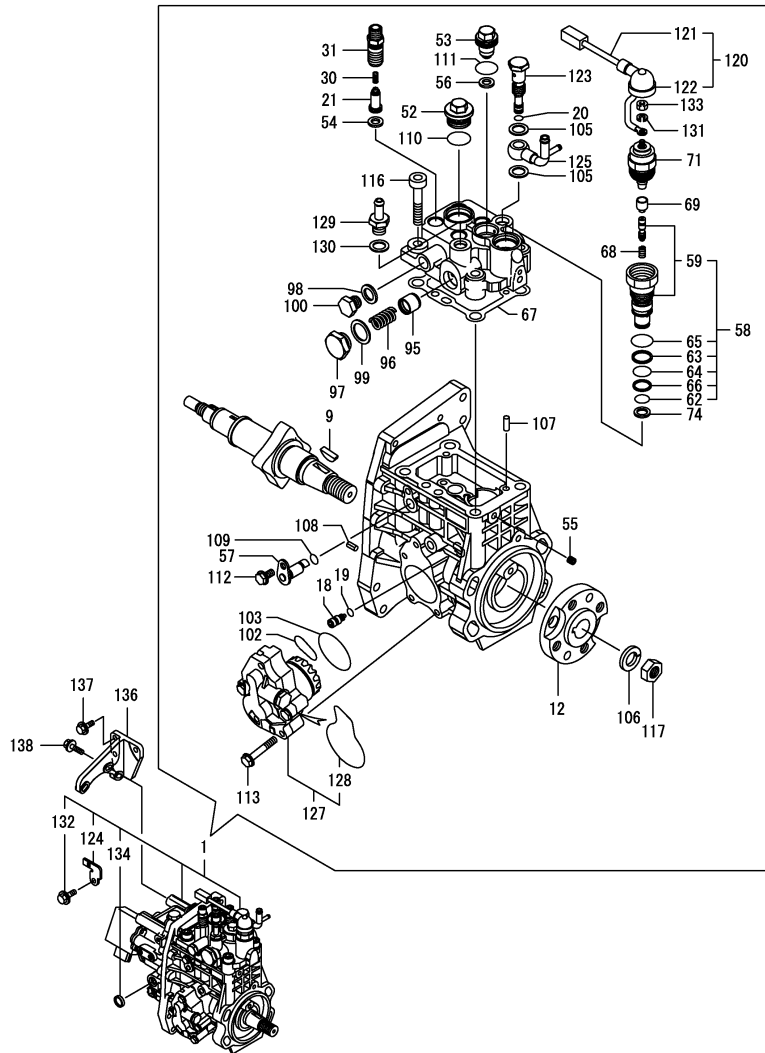
(A)=4TNV98-ZWVC4U
 (B)=4TNV98-ZWVC4UM
 (C)=4TNV98-ZWVC4UF

(D)=
 (E)=
 (F)=



No.	Lev.	Parts No.	Description	Q'ty						I	R
				(A)	(B)	(C)	(D)	(E)	(F)		
1	1	129927-42000	PUMP ASSY, WATER	1	1	1					
11	1	129900-42020	GASKET, WATER PUMP	1	1	1					
12	1	26106-060302	BOLT, M6X 30 PLATED	2	2	2					
13	1	26106-080552	BOLT, M8X 55 PLATED	5	5	5					
14	1	129907-42450	V-PULLEY, C.W.PUMP	1	1	1					
15	1	26106-080122	BOLT, M8X 12 PLATED	4	4	4					
16	1	129940-42290	V-BELT, A42.5	1	1	1					
17	1	129939-49800	CASE ASSY,THERMOSTAT	1	1	1					
18	2	129927-44900	SENSOR, WATER TEMP.	1	1	1					
20	2	129916-49530	COVER, THERMOSTAT	1	1	1					
22	2	121850-49540	GASKET, THERMOSTAT	1	1	1					
23	2	121850-49550	GASKET, THERMOSTAT	1	1	1					
24	2	121850-49800	THERMOSTAT, 82C	1	1	1					
26	2	22190-120002	WASHER, SEAL 12	1	1	1					
27	2	23875-030000	PLUG, R03	2	2	2					
28	2	26106-060202	BOLT, M6X 20 PLATED	4	4	4					
29	1	129900-49870	GASKET, THERMOSTAT	1	1	1					
30	1	23414-080000	GASKET, 8X1.0	1	1	1					
31	1	26106-080122	BOLT, M8X 12 PLATED	1	1	1					
32	1	26106-080602	BOLT, M8X 60 PLATED	3	3	3					
33	1	121450-42450	PLUG, M16	2	2	2					
34	1	124465-44950	GASKET, 16	2	2	2					
35	1	129927-49610	HOSE ASSY, WATER	1	1	1					
38	2	23080-012000	CLAMP, 12	2	2	2					
39	1	129939-49630	PIPE, WATER	1	1	1					
42	2	23080-012000	CLAMP, 12	2	2	2					

(A)=4TNV98-ZWVC4U
 (B)=4TNV98-ZWVC4UM
 (C)=4TNV98-ZWVC4UF

 (D)=
 (E)=
 (F)=


No.	Lev.	Parts No.	Description	Q'ty						I	R
				(A)	(B)	(C)	(D)	(E)	(F)		
1	1	729939-51330	PUMP ASSY, INJECTION	1	1	1					1
9	2	144626-51090	FEATHER KEY, 5X19	1	1	1					
12	2	158563-51150	FLANGE	1	1	1					
18	2	158600-51270	STOPPER, TAPPET	1	1	1					
19	2	158563-51281	O-RING, 4D S6	1	1	1					
20	2	158563-51281	O-RING, 4D S6	1	1	1					
21	2	129927-51300	HOLDER ASSY, DELIVERY	4	4	4					
30	2	158563-51330	SPRING, DELIVERY	4	4	4					
31	2	129927-51340	HOLDER, DELIVERY	4	4	4					
52	2	158601-51550	PLUG, M22	1	1	1					
53	2	129907-51560	PLUG, M16	1	1	1					
54	2	158552-51570	GASKET, PLUG	4	4	4					
55	2	158557-51570	PLUG, RACK	1	1	1					
56	2	129906-51580	GASKET, PLUG	1	1	1					
57	2	158552-51580	LIFTER, LINK	1	1	1					
58	2	129657-51590	TIMER ASSY	1	1	1					
59	3	129657-51600	TIMER ASSY	1	1	1					
62	3	158553-51670	O-RING	1	1	1					
63	3	119802-51680	RING, BACKUP	1	1	1					
64	3	119802-51690	O-RING	1	1	1					
65	3	24356-010200	O-RING, 4D1020	1	1	1					
66	3	24372-000150	RING, BACK UP T2P15	1	1	1					
67	2	158560-51600	GASKET	1	1	1					
68	2	119852-51630	SPRING, TIMER	1	1	1					
69	2	119852-51640	CAP, TIMER	1	1	1					
71	2	119852-51650	VALVE ASSY, SOLENOID	1	1	1					
74	2	158553-51680	GASKET, TIMER	1	1	1					
95	2	158601-51770	PISTON, ACCUMLATOR	1	1	1					
96	2	158552-51781	SPRING, ACCUMULATOR	1	1	1					
97	2	158601-51790	PLUG	1	1	1					
98	2	22190-120002	WASHER, SEAL 12	1	1	1					
99	2	22190-180002	WASHER, SEAL 18	1	1	1					
100	2	23887-120002	PLUG, 12	1	1	1					
102	2	158552-52310	O-RING	1	1	1					
103	2	158552-52400	O-RING, 4E S42	1	1	1					
105	2	22190-120002	WASHER, SEAL 12	2	2	2					
106	2	22217-180000	WASHER, SPRING 18	1	1	1					
107	2	22312-050140	PIN, PARALLEL M5X14	2	2	2					
108	2	22351-050010	PIN, SPRING 5.0X10	2	2	2					
109	2	24311-000070	O-RING, 1AP7.0	1	1	1					
110	2	24356-010200	O-RING, 4D1020	1	1	1					
111	2	24356-020210	O-RING, 4D2021	1	1	1					
112	2	26106-060102	BOLT, M6X 10 PLATED	1	1	1					
113	2	26106-060352	BOLT, M6X 35 PLATED	4	4	4					
116	2	26450-100452	BOLT, M10X 45	4	4	4					
117	2	26776-180002	NUT, LOCK M18	1	1	1					
120	2	129927-51650	HARNESS ASSY, WIRE	1	1	1					
121	3	129927-51660	HARNESS	1	1	1					
122	3	129263-77941	CAP, RUBBER	1	1	1					
123	2	158601-51650	JOINT, OVER FLOW	1	1	1					
124	2	129927-51670	BRACKET	1	1	1					

Remarks

(1) GOVERNOR ASSY(FIG.12) IS INCORPORATED IN THIS FUEL INJECTION PUMP.(REF.NO.1).

* ECO PUMP

MAKE SURE TO UPDATE THE ENGINES ECU INFORMATION WHEN REPLACING THE ECO PUMP.

FAILING TO DO SO WILL RESULT IN ENGINE MALFUNCTION.

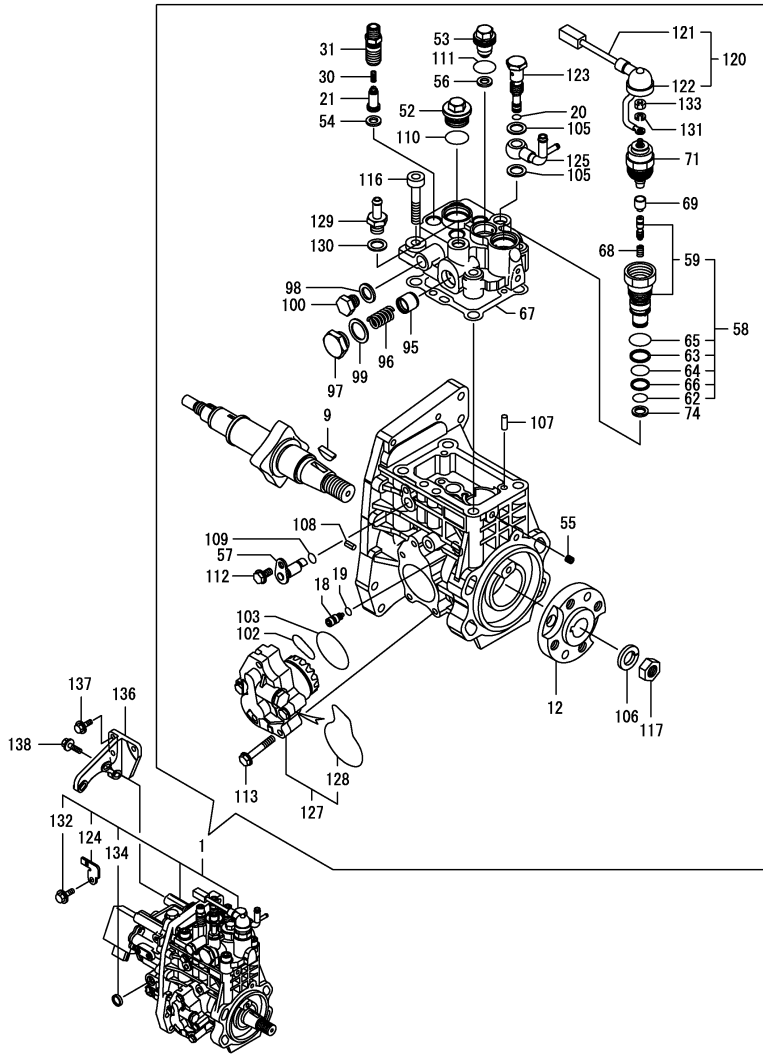
 N:Old $\xrightarrow{\text{Yes}}$ New, Q:Old $\xrightarrow{\text{No}}$ New, R:Old $\xrightarrow{\text{Yes}}$ New, S:Old $\xrightarrow{\text{No}}$ New, W:Add, Z:Discontinued, F:Interchangeable by set, K:Q'ty Change

++ CONTINUE ++

Copyright (C) YANMAR GLOBAL CS CO., LTD. All Rights Reserved.

(A)=4TNV98-ZWVC4U
 (B)=4TNV98-ZWVC4UM
 (C)=4TNV98-ZWVC4UF

(D)=
 (E)=
 (F)=



No.	Lev.	Parts No.	Description	Q'ty						I	R
				(A)	(B)	(C)	(D)	(E)	(F)		
125	2	158552-51670	JOINT, OVER FLOW	1	1	1					
127	2	158552-52100	PUMP ASSY, FUEL FEED	1	1	1					
128	3	158552-52500	O-RING	1	1	1					
129	2	119934-59910	JOINT, PIPE	1	1	1					
130	2	22190-120002	WASHER, SEAL 12	1	1	1					
131	2	22217-050000	WASHER, SPRING 5	1	1	1					
132	2	26106-060122	BOLT, M6X 12 PLATED	1	1	1					
133	2	26716-050002	NUT, M5	1	1	1					
134	2	27241-160000	PLUG, 16	1	1	1					
136	1	129927-51250	RETAINER, PUMP	1	1	1					
137	1	26106-080202	BOLT, M8X 20 PLATED	3	3	3					
138	1	26106-080302	BOLT, M8X 30 PLATED	3	3	3					

Remarks

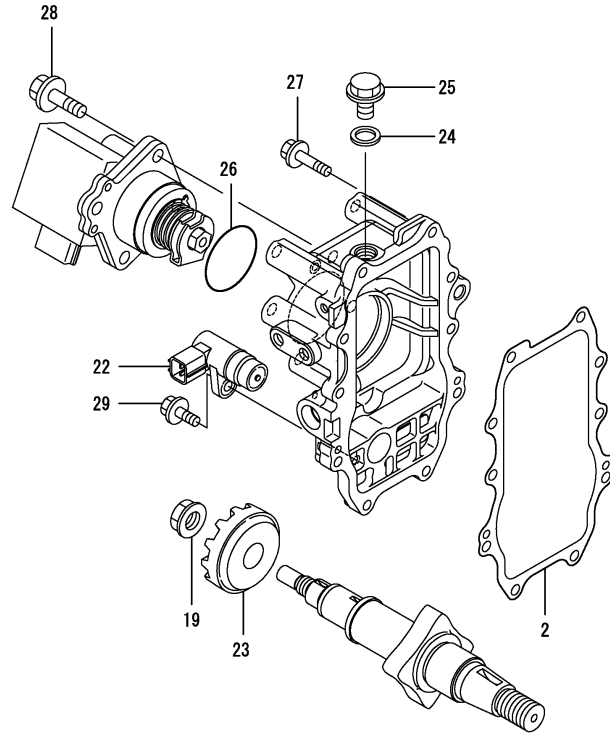
(1) GOVERNOR ASSY(FIG.12) IS INCORPORATED IN THIS FUEL INJECTION PUMP.(REF.NO.1).

* ECO PUMP

MAKE SURE TO UPDATE THE ENGINES ECU INFORMATION WHEN REPLACING THE ECO PUMP.

FAILING TO DO SO WILL RESULT IN ENGINE MALFUNCTION.

(A)=4TNV98-ZWVC4U
 (B)=4TNV98-ZWVC4UM
 (C)=4TNV98-ZWVC4UF

 (D)=
 (E)=
 (F)=


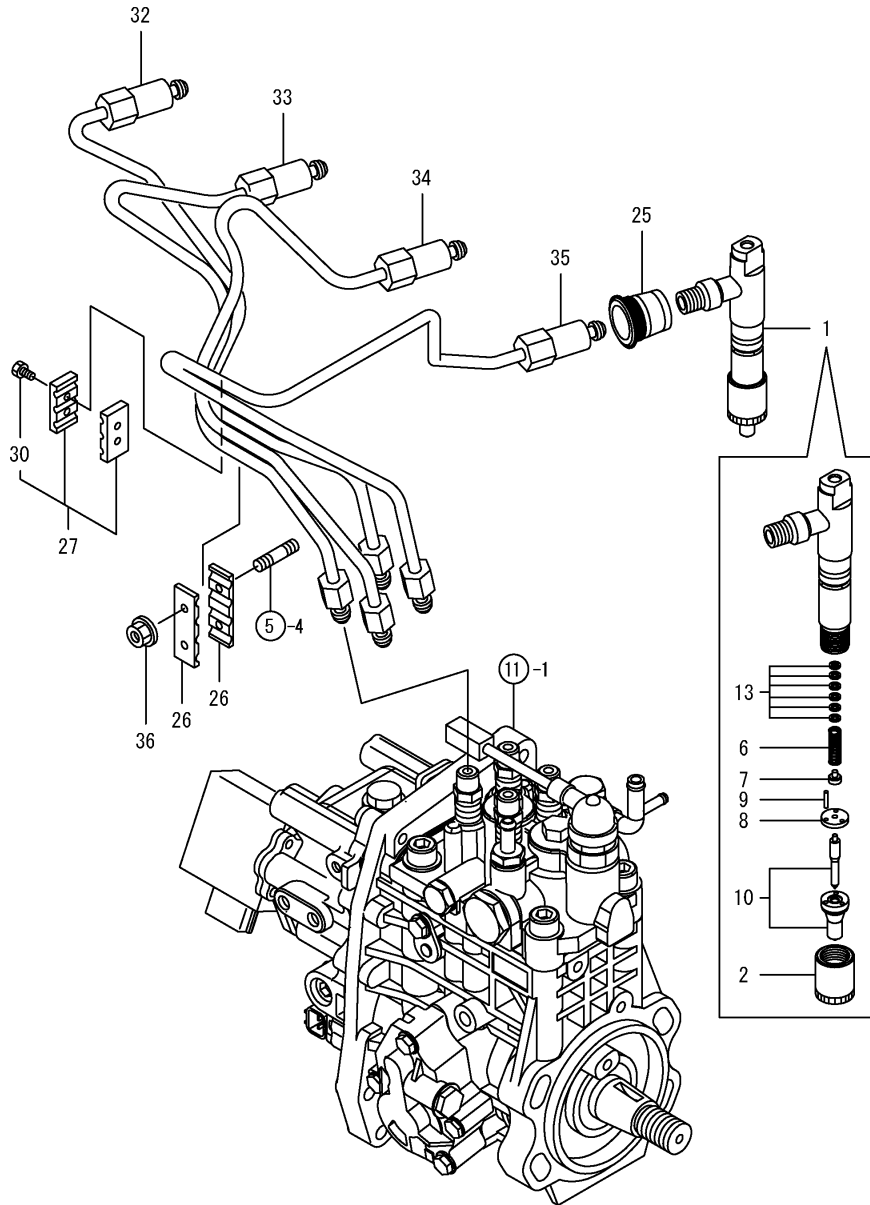
No.	Lev.	Parts No.	Description	Q'ty						I	R
				(A)	(B)	(C)	(D)	(E)	(F)		
2	2	158560-61050	GASKET	1	1	1					
19	2	129008-61301	NUT	1	1	1					
22	2	158557-61720	SENSOR	1	1	1					
23	2	158553-61780	GEAR, SENSOR	1	1	1					
24	2	23414-120000	GASKET, 12X1.0	1	1	1					
25	2	23887-120002	PLUG, 12	1	1	1					
26	2	24341-000480	O-RING, 1AS48.0	1	1	1					
27	2	26106-060252	BOLT, M6X 25 PLATED	10	10	10					
28	2	26106-080252	BOLT, M8X 25 PLATED	3	3	3					

Remarks

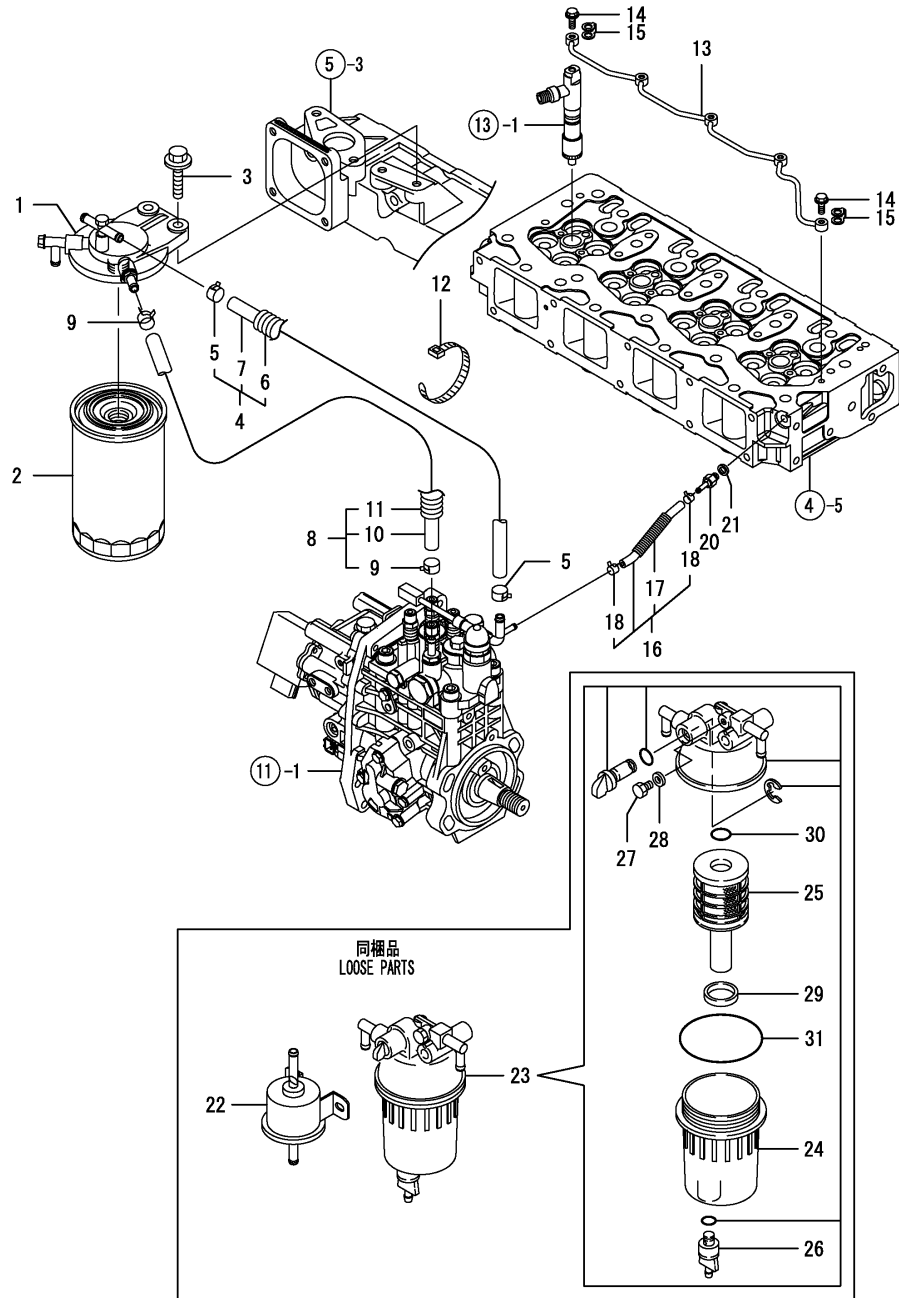
* THIS FIGURE(GOVERNOR ASSY)IS
 INCORPORATED IN THE FUEL INJECTION
 PUMP ASSY(FIG.11).

(A)=4TNV98-ZWVC4U
 (B)=4TNV98-ZWVC4UM
 (C)=4TNV98-ZWVC4UF

(D)=
 (E)=
 (F)=



No.	Lev.	Parts No.	Description	Q'ty						I	R
				(A)	(B)	(C)	(D)	(E)	(F)		
1	1	729927-53300	FUEL INJECTOR ASSY	4	4	4					
2	2	114250-53080	NUT, NOZZLE	4	4	4					
6	2	114250-53120	SPRING, NOZZLE	4	4	4					
7	2	114250-53130	SEAT, SPRING	4	4	4					
8	2	114250-53140	SPACER	4	4	4					
9	2	114250-53210	PIN	8	8	8					
10	2	129927-53300	NOZZLE ASSY, F.I.	4	4	4					
13	2	114250-53400	SHIM SET	4	4	4					
25	1	123907-11601	SEAL, PIPE	4	4	4					
26	1	123472-59120	RETAINER, PIPE	2	2	2					
27	1	129150-59120	RETAINER, PIPE	1	1	1					
30	2	129150-59131	BOLT, M4X14	2	2	2					
32	1	129927-59810	PIPE ASSY, INJECTION	1	1	1					
33	1	129927-59820	PIPE ASSY, INJECTION	1	1	1					
34	1	129927-59830	PIPE ASSY, INJECTION	1	1	1					
35	1	129927-59840	PIPE ASSY, INJECTION	1	1	1					
36	1	26366-060002	NUT, M6	2	2	2					

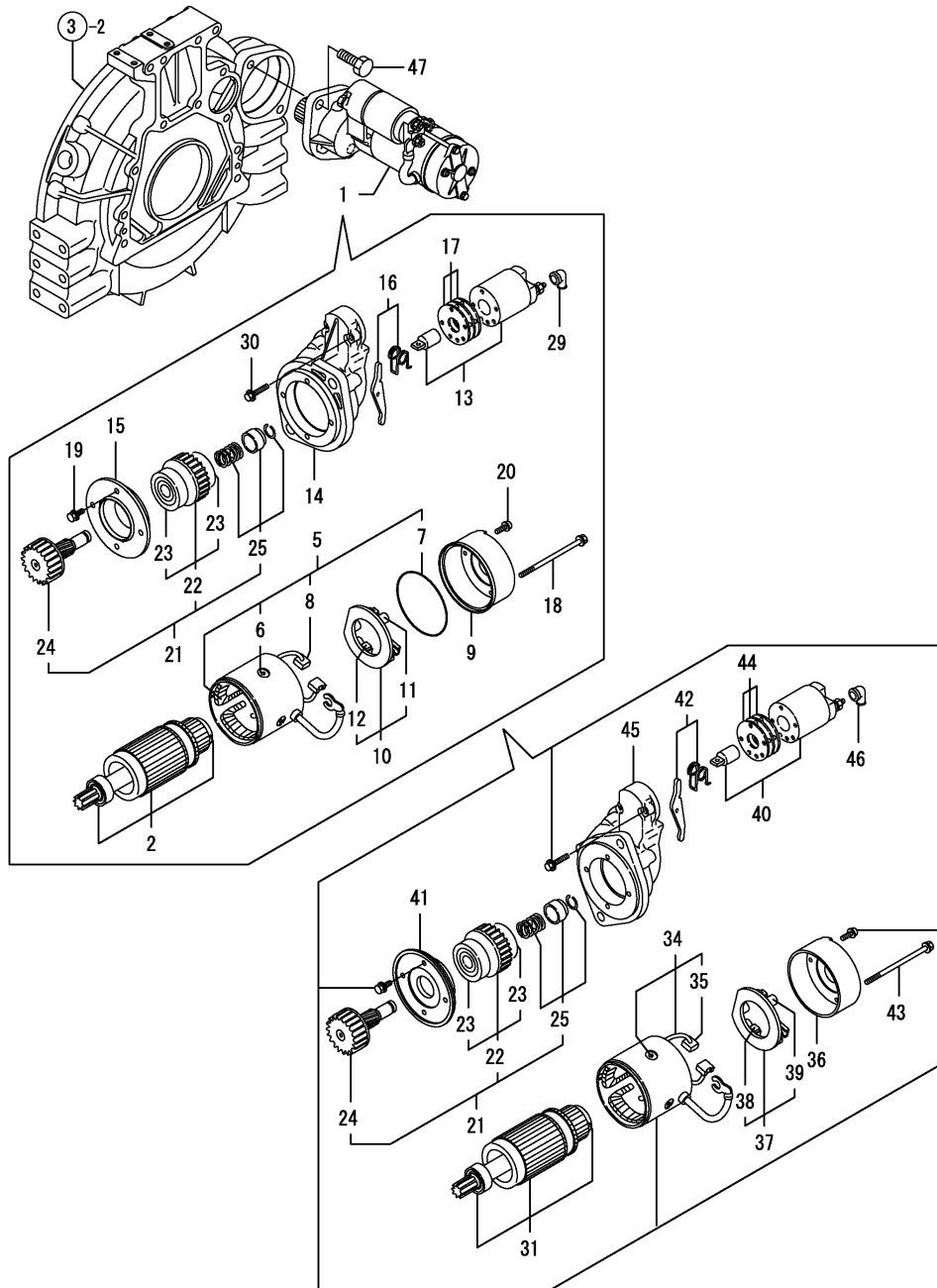


(A)=4TNV98-ZWVC4U
 (B)=4TNV98-ZWVC4UM
 (C)=4TNV98-ZWVC4UF

(D)=
 (E)=
 (F)=

No.	Lev.	Parts No.	Description	Qty						I	R
				(A)	(B)	(C)	(D)	(E)	(F)		
1	1	129004-55612	BRACKET, FILTER	1	1	1					
2	1	129936-55800	FILTER, FUEL	1	1	1					
3	1	26106-080302	BOLT, M8X 30 PLATED	2	2	2					
4	1	129457-59010	HOSE ASSY, FUEL	1	1	1					
5	2	124766-59050	CLAMP, HOSE 11.5	2	2	2					
6	2	129957-59120	TUBE, CORRUGATED 15	1	1	1					
7	2	105025-59750	HOSE, FUEL	1	1	1					
8	1	129961-59310	HOSE ASSY, FUEL	1	1	1					
9	2	124766-59050	CLAMP, HOSE 11.5	2	2	2					
10	2	129136-59110	HOSE, D13/7.5X270	1	1	1					
11	2	129961-59110	TUBE, CORRUGATED 15	1	1	1					
12	1	121750-59890	BAND, NYLON	1	1	1					
13	1	129907-59140	PIPE ASSY, RETURN	1	1	1					
14	1	123907-59540	BOLT, PIPE JOINT M6	5	5	5					
15	1	123907-59550	GASKET	5	5	5					
16	1	129927-59550	HOSE ASSY, RETURN	1	1	1					
17	2	129263-49750	TUBE, CORRUGATED	1	1	1					
18	2	124722-59050	CLAMP, HOSE 9	2	2	2					
20	1	123907-59560	JOINT, HOSE	1	1	1					
21	1	22190-080002	WASHER, SEAL 6	1	1	1					
22	1	129612-52100	PUMP, FUEL FEED	1	1	1					
23	1	129242-55710	SEPARATOR ASSY, WATER	1	1	1					
24	2	129242-55720	CUP, SEPARATOR	1	1	1					
25	2	129242-55730	ELEMENT, FUEL	1	1	1					
26	2	129242-55740	PLUG, DRAIN	1	1	1					
27	2	129242-55750	VALVE, AIR VENT	1	1	1					
28	2	129242-55760	GASKET, PLUG	1	1	1					
29	2	129242-55770	FLOAT	1	1	1					
30	2	24311-000160	O-RING, 1AP16.0	1	1	1					
31	2	24321-000750	O-RING, 1AG75.0	1	1	1					

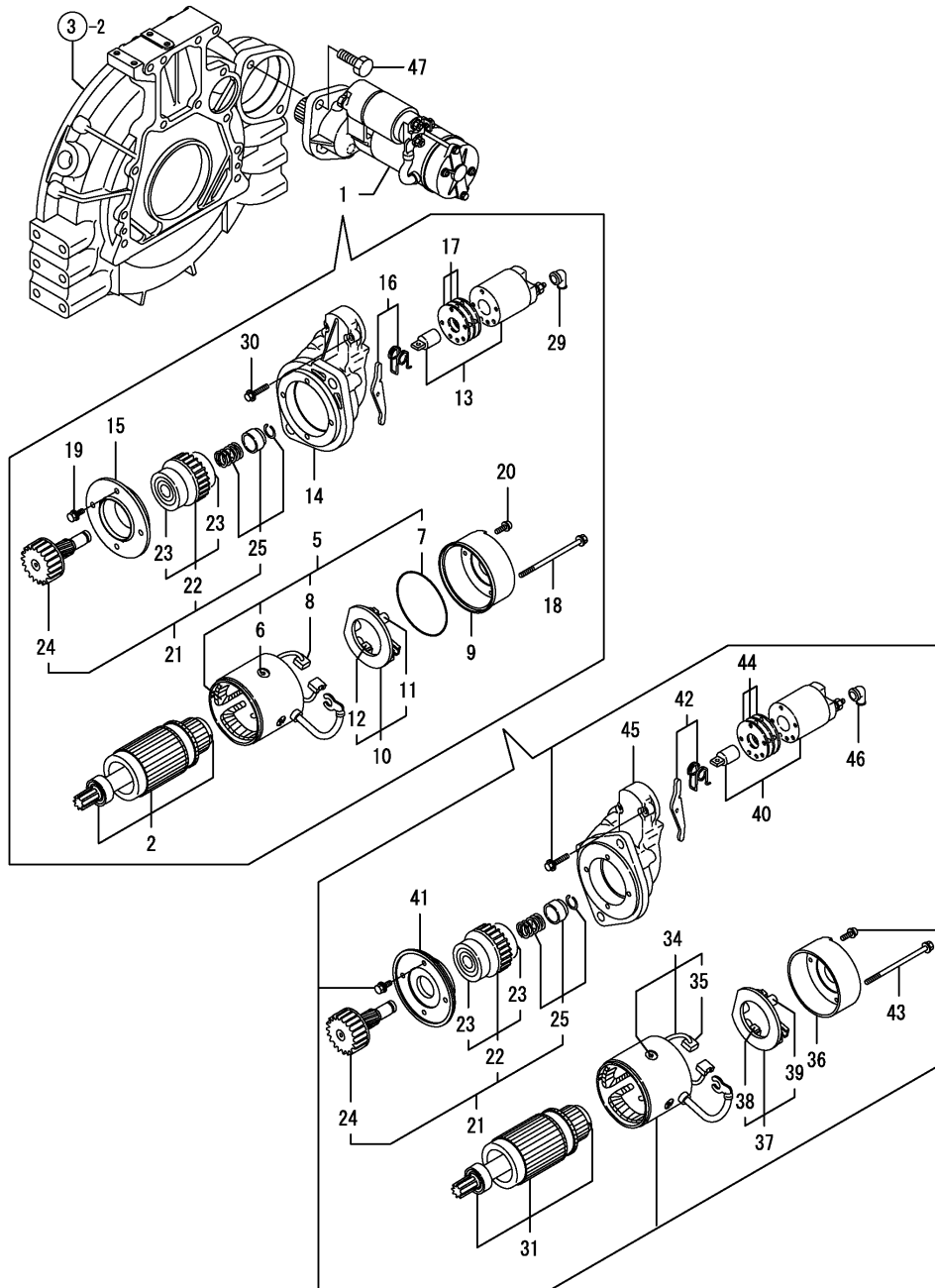
(A)=4TNV98-ZWVC4U
 (B)=4TNV98-ZWVC4UM
 (C)=4TNV98-ZWVC4UF

 (D)=
 (E)=
 (F)=


No.	Lev.	Parts No.	Description	Q'ty						I	R
				(A)	(B)	(C)	(D)	(E)	(F)		
1	1	129940-77010	STARTER ASSY	1	1	1					
1-1	1	123900-77010	STARTER ASSY	1	1	1					N
		(A=*2009.07.) (B=*2009.07.) (C=*2009.07.)									
2	2	129940-77100	ARMATURE ASSY	1	1	1					Z
		(A=*2009.07.) (B=*2009.07.) (C=*2009.07.)									
5	2	129940-77130	COIL ASSY, FIELD	1	1	1					Z
		(A=*2009.07.) (B=*2009.07.) (C=*2009.07.)									
6	3	129940-77140	SCREW, CORE SET	4	4	4					Z
		(A=*2009.07.) (B=*2009.07.) (C=*2009.07.)									
7	3	129940-77150	O-RING	1	1	1					Z
		(A=*2009.07.) (B=*2009.07.) (C=*2009.07.)									
8	3	129940-77160	BRUSH	2	2	2					Z
		(A=*2009.07.) (B=*2009.07.) (C=*2009.07.)									
9	2	129940-77170	COVER	1	1	1					Z
		(A=*2009.07.) (B=*2009.07.) (C=*2009.07.)									
10	2	129940-77180	HOLDER ASSY, BRUSH	1	1	1					Z
		(A=*2009.07.) (B=*2009.07.) (C=*2009.07.)									
11	3	129940-77190	SPRING, BRUSH	1	1	1					Z
		(A=*2009.07.) (B=*2009.07.) (C=*2009.07.)									
12	3	129940-77200	BRUSH	2	2	2					Z
		(A=*2009.07.) (B=*2009.07.) (C=*2009.07.)									
13	2	129940-77210	SWITCH ASSY, MAGNET	1	1	1					Z
		(A=*2009.07.) (B=*2009.07.) (C=*2009.07.)									
14	2	129940-77220	CASE, GEAR	1	1	1					Z
		(A=*2009.07.) (B=*2009.07.) (C=*2009.07.)									
15	2	129940-77230	RETAINER, BEARING	1	1	1					Z
		(A=*2009.07.) (B=*2009.07.) (C=*2009.07.)									
16	2	129940-77240	LEVER SET	1	1	1					Z
		(A=*2009.07.) (B=*2009.07.) (C=*2009.07.)									
17	2	129940-77250	COVER KIT, DUST	1	1	1					Z
		(A=*2009.07.) (B=*2009.07.) (C=*2009.07.)									
18	2	129940-77260	BOLT, THROUGH	2	2	2					Z
		(A=*2009.07.) (B=*2009.07.) (C=*2009.07.)									
19	2	129940-77270	BOLT	4	4	4					Z
		(A=*2009.07.) (B=*2009.07.) (C=*2009.07.)									
20	2	129940-77280	SCREW	2	2	2					Z
		(A=*2009.07.) (B=*2009.07.) (C=*2009.07.)									
21	2	123900-77510	PINION ASSY	1	1	1					
22	3	123900-77520	CLUTCH ASSY	1	1	1					
23	4	X2240610100	BEARING, BALL	2	2	2					
24	3	123900-77540	SHAFT, PINION	1	1	1					
25	3	119131-77550	STOPPER SET, PINION	1	1	1					
29	2	121254-77810	COVER, TERMINAL	1	1	1					Z
		(A=*2009.07.) (B=*2009.07.) (C=*2009.07.)									
30	2	114371-79070	BOLT	2	2	2					Z
		(A=*2009.07.) (B=*2009.07.) (C=*2009.07.)									
31	2	123900-77400	ARMATURE ASSY	1	1	1					W
		(A=*2009.07.) (B=*2009.07.) (C=*2009.07.)									
34	2	123900-77440	COIL ASSY, FIELD	1	1	1					W
		(A=*2009.07.) (B=*2009.07.) (C=*2009.07.)									
35	3	123900-77450	BRUSH	2	2	2					W

(A)=4TNV98-ZWVC4U
 (B)=4TNV98-ZWVC4UM
 (C)=4TNV98-ZWVC4UF

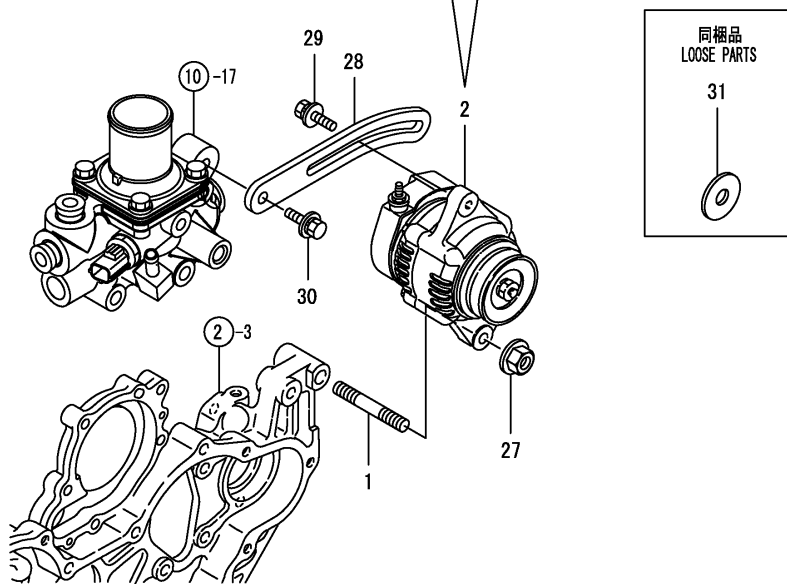
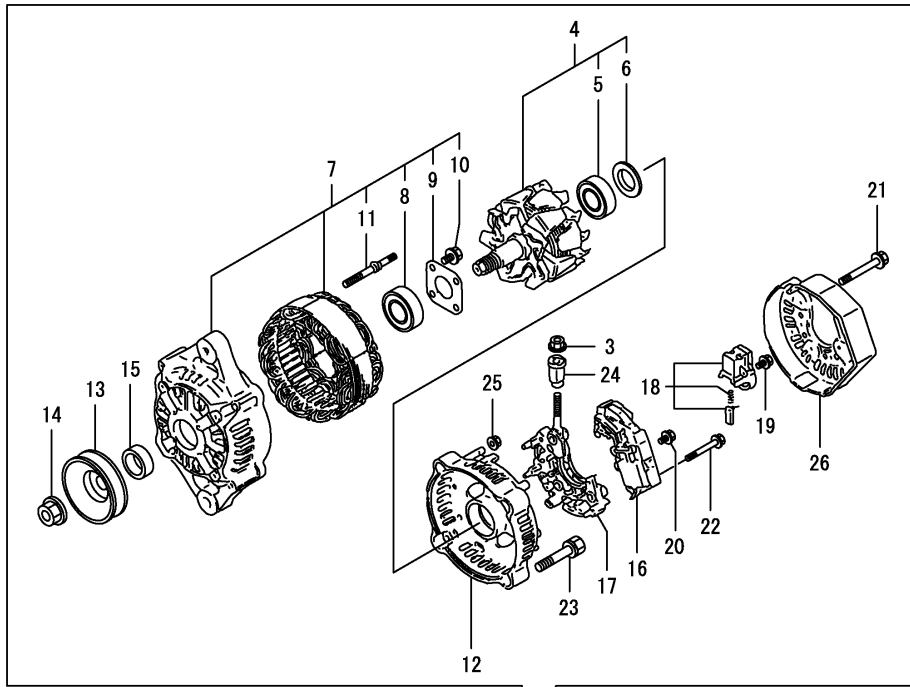
(D)=
 (E)=
 (F)=



No.	Lev.	Parts No.	Description	Q'ty						I	R
				(A)	(B)	(C)	(D)	(E)	(F)		
36	2	(A=*2009.07.) (B=*2009.07.) (C=*2009.07.) 123900-77460	COVER	1	1	1					W
		(A=*2009.07.) (B=*2009.07.) (C=*2009.07.)									
37	2	(A=*2009.07.) (B=*2009.07.) (C=*2009.07.) 123900-77480	HOLDER ASSY, BRUSH	1	1	1					W
		(A=*2009.07.) (B=*2009.07.) (C=*2009.07.)									
38	3	(A=*2009.07.) (B=*2009.07.) (C=*2009.07.) 123900-77450	BRUSH	2	2	2					W
		(A=*2009.07.) (B=*2009.07.) (C=*2009.07.)									
39	3	(A=*2009.07.) (B=*2009.07.) (C=*2009.07.) 121254-77590	SPRING, BRUSH	4	4	4					W
		(A=*2009.07.) (B=*2009.07.) (C=*2009.07.)									
40	2	(A=*2009.07.) (B=*2009.07.) (C=*2009.07.) 129900-77591	SWITCH ASSY, MAGNET	1	1	1					W
		(A=*2009.07.) (B=*2009.07.) (C=*2009.07.)									
41	2	(A=*2009.07.) (B=*2009.07.) (C=*2009.07.) 123900-77610	RETAINER, BEARING	1	1	1					W
		(A=*2009.07.) (B=*2009.07.) (C=*2009.07.)									
42	2	(A=*2009.07.) (B=*2009.07.) (C=*2009.07.) 129900-77620	LEVER SET	1	1	1					W
		(A=*2009.07.) (B=*2009.07.) (C=*2009.07.)									
43	2	(A=*2009.07.) (B=*2009.07.) (C=*2009.07.) 123900-77640	BOLT, THROUGH	2	2	2					W
		(A=*2009.07.) (B=*2009.07.) (C=*2009.07.)									
44	2	(A=*2009.07.) (B=*2009.07.) (C=*2009.07.) 123900-77650	COVER KIT, DUST	1	1	1					W
		(A=*2009.07.) (B=*2009.07.) (C=*2009.07.)									
45	2	(A=*2009.07.) (B=*2009.07.) (C=*2009.07.) 123900-77710	CASE, GEAR	1	1	1					W
		(A=*2009.07.) (B=*2009.07.) (C=*2009.07.)									
46	2	(A=*2009.07.) (B=*2009.07.) (C=*2009.07.) 171008-77750	COVER, TERMINAL	1	1	1					W
		(A=*2009.07.) (B=*2009.07.) (C=*2009.07.)									
47	1	(A=*2009.07.) (B=*2009.07.) (C=*2009.07.) 26116-120252	BOLT, M12X 25 PLATED	2	2	2					
		(A=*2009.07.) (B=*2009.07.) (C=*2009.07.)									

(A)=4TNV98-ZWVC4U
 (B)=4TNV98-ZWVC4UM
 (C)=4TNV98-ZWVC4UF

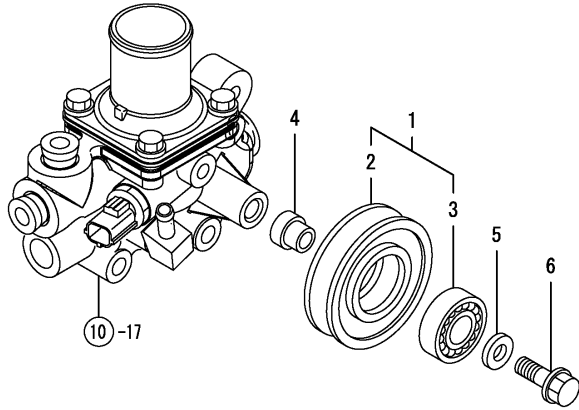
(D)=
 (E)=
 (F)=



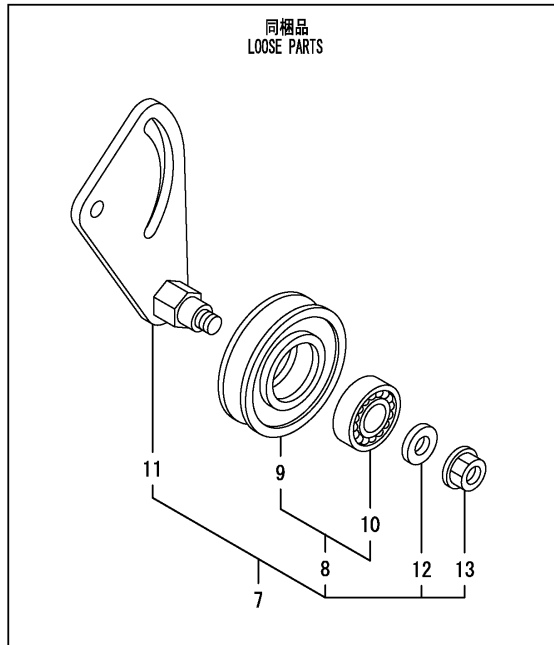
No.	Lev.	Parts No.	Description	Q'ty						I	R
				(A)	(B)	(C)	(D)	(E)	(F)		
1	1	129795-01900	BOLT, STUD M10X33	1	1	1					
2	1	119626-77210	ALTERNATOR, 12V-55A	1	1	1					
3	2	X9490561001	NUT	1	1	1					
4	2	129052-77380	ROTOR ASSY	1	1	1					
5	3	123501-79240	BEARING, BALL	1	1	1					
6	3	119620-79250	COVER, BEARING	1	1	1					
7	2	129052-77422	FRAME ASSY	1	1	1					
8	3	119620-79200	BEARING, BALL	1	1	1					
9	3	119620-79210	RETAINER	1	1	1					
10	3	119620-79220	SCREW	4	4	4					
11	3	119620-79230	BOLT, STUD	2	2	2					
12	2	128401-77440	COVER	1	1	1					
13	2	119620-77461	PULLEY, GENERATOR	1	1	1					
14	2	119620-77471	NUT	1	1	1					
15	2	119620-77490	COLLAR	1	1	1					
16	2	119626-77710	REGULATOR ASSY	1	1	1					
17	2	129052-79260	HOLDER	1	1	1					
18	2	129052-79270	HOLDER, BRUSH	1	1	1					
19	2	119620-79290	SCREW	6	6	6					
20	2	119620-79300	SCREW	1	1	1					
21	2	119620-79310	BOLT	3	3	3					
22	2	119620-79320	SCREW	2	2	2					
23	2	119620-79330	BOLT	2	2	2					
24	2	119620-79340	BUSH, INSULATION	1	1	1					
25	2	119620-79350	NUT	2	2	2					
26	2	119626-77450	FRAME	1	1	1					
27	1	26306-100002	NUT, M10	1	1	1					
28	1	129916-77300	ADJUSTER, BELT	1	1	1					
29	1	119810-77340	BOLT, ADJUST L=30	1	1	1					
30	1	26014-080252	BOLT, M8X 25	1	1	1					
31	1	129927-77690	WASHER, ECU	3	3	3					

(A)=4TNV98-ZWVC4U
 (B)=4TNV98-ZWVC4UM
 (C)=4TNV98-ZWVC4UF

(D)=
 (E)=
 (F)=

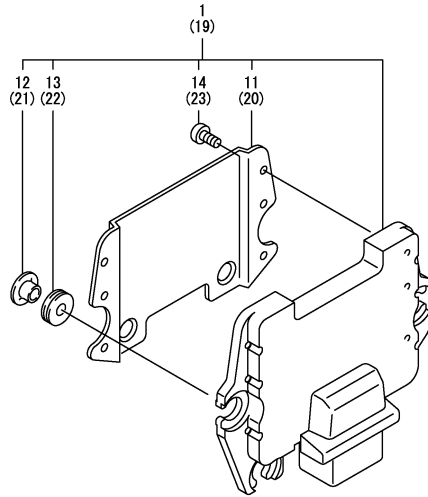


No.	Lev.	Parts No.	Description	Q'ty						I	R
				(A)	(B)	(C)	(D)	(E)	(F)		
1	1	129457-96200	PULLEY ASSY, TENSION	1	1	1					
2	2	129457-96230	PULLEY, TENSION	1	1	1					
3	2	24104-062024	BEARING, BALL 6202UU	1	1	1					
4	1	121851-96240	SPACER	1	1	1					
5	1	22137-100000	WASHER, 10	1	1	1					
6	1	26106-100402	BOLT, M10X 40 PLATED	1	1	1					
7	1	129906-96950	TENSION ASSY, DRIVE	1	1	1					
8	2	129457-96200	PULLEY ASSY, TENSION	1	1	1					
9	3	129457-96230	PULLEY, TENSION	1	1	1					
10	3	24104-062024	BEARING, BALL 6202UU	1	1	1					
11	2	129906-96930	ARM	1	1	1					
12	2	22137-100000	WASHER, 10	1	1	1					
13	2	26306-100002	NUT, M10	1	1	1					



(A)=4TNV98-ZWVC4U
 (B)=4TNV98-ZWVC4UM
 (C)=4TNV98-ZWVC4UF

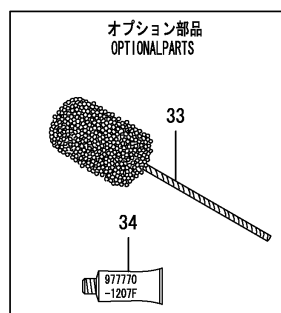
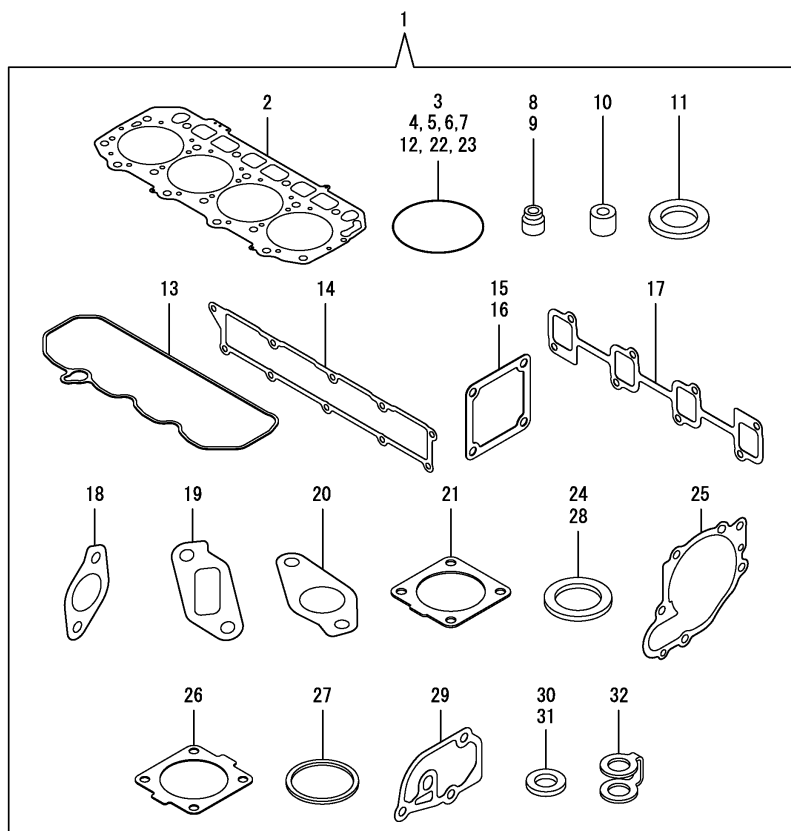
(D)=
 (E)=
 (F)=



No.	Lev.	Parts No.	Description	Q'ty						I	R
				(A)	(B)	(C)	(D)	(E)	(F)		
1	1	129939-75060	CONTROLLER ASSY, EUC	1	1	1					1
11	2	129927-77600	SHIELD, ECU	1	1	1					
12	2	129927-77680	COLLAR, CONTROL	3	3	3					
13	2	119578-91351	ABSORBER	3	3	3					
14	2	22877-500080	SCREW, 5X 8	6	6	6					
19	1	129927-75910	CONTROLLER ASSY, EUC	1	1	1					2
20	2	129927-77600	SHIELD, ECU	1	1	1					
21	2	129927-77680	COLLAR, CONTROL	3	3	3					
22	2	119578-91351	ABSORBER	3	3	3					
23	2	22877-500080	SCREW, 5X 8	6	6	6					

Remarks
 (1)ECO ECU
 THIS PART CANNOT BE ORDERED.
 REPLACE THE PART USING A SERVICE
 ECU WITH THE PROPER ENGINE
 INFORMATION INSTALLED.
 (2)SERVICE ECU
 IF THE PROPER INFORMATION IS NOT
 INSTALLED, THE ENGINE WILL NOT
 OPERATE.
 TO INSTALL PROPER INFORMATION,
 GO TO AN AUTHORIZED DISTRIBUTOR.

(A)=4TNV98-ZWVC4U
 (B)=4TNV98-ZWVC4UM
 (C)=4TNV98-ZWVC4UF

 (D)=
 (E)=
 (F)=


No.	Lev.	Parts No.	Description	Q'ty						I	R
				(A)	(B)	(C)	(D)	(E)	(F)		
1	1	729927-92680	GASKET SET	1	1	1					1
2	2	129907-01331	GASKET, HEAD	1	1	1					
3	2	129900-32030	O-RING, P20	2	2	2					
4	2	129900-32040	O-RING, P14	1	1	1					
5	2	24311-000070	O-RING, 1AP7.0	1	1	1					
6	2	24351-030750	O-RING, 1A3075	1	1	1					
7	2	24311-000320	O-RING, 1AP32.0	3	3	3					
8	2	119803-11340	SEAL, VALVE STEM	8	8	8					
9	2	124160-11340	SEAL, VALVE STEM	8	8	8					
10	2	119802-11870	PROTECTOR, NOZZLE	4	4	4					
11	2	119625-11880	SEAT, NOZZLE	4	4	4					
12	2	24311-000120	O-RING, 1AP12.0	8	8	8					
13	2	129933-11310	GASKET, BONNET	1	1	1					
14	2	129907-12110	GASKET, MANIFOLD	1	1	1					
15	2	119129-77020	GASKET	1	1	1					
16	2	121850-77021	GASKET, AIR HEATER	1	1	1					
17	2	129900-13251	GASKET, EXH.MANIFOLD	1	1	1					
18	2	129927-13810	GASKET	1	1	1					
19	2	129927-13910	GASKET, EGR	1	1	1					
20	2	129927-13920	GASKET, EGR	1	1	1					
21	2	129930-13201	GASKET, SILENCER	1	1	1					
22	2	24341-000530	O-RING, 1AS53.0	1	1	1					
23	2	24321-000600	O-RING, 1AG60.0	1	1	1					
24	2	22190-080002	WASHER, SEAL 6	7	7	7					
25	2	129900-42020	GASKET, WATER PUMP	1	1	1					
26	2	121850-49540	GASKET, THERMOSTAT	1	1	1					
27	2	121850-49550	GASKET, THERMOSTAT	1	1	1					
28	2	22190-120002	WASHER, SEAL 12	1	1	1					
29	2	129900-49870	GASKET, THERMOSTAT	1	1	1					
30	2	23414-080000	GASKET, 8X1.0	1	1	1					
31	2	124465-44950	GASKET, 16	2	2	2					
32	2	123907-59550	GASKET	5	5	5					
33	1	129400-92450	HONE, FLEX	1	1	1					1
34	1	977770-1207F	GASKET.LIQUID	1	1	1					1

 Remarks
 (1) OPTIONAL PART.



Parts No. Index

Parts No.	Fig. No.	Ref. No.
105025-59750	14	7
114250-53080	13	2
114250-53120	13	6
114250-53130	13	7
114250-53140	13	8
114250-53210	13	9
114250-53400	13	13
114371-79070	15	30
119005-77051	5	9
119129-77020	5	7
	19	15
119129-77520	5	10
119131-18320	6	5
119131-77550	15	25
119578-91351	18	13
		22
		31
119593-11301	4	31
119620-01750	3	4
119620-11180	4	15
119620-77461	16	13
119620-77471	16	14
119620-77490	16	15
119620-79200	16	8
119620-79210	16	9
119620-79220	16	10
119620-79230	16	11
119620-79250	16	6
119620-79290	16	19
119620-79300	16	20
119620-79310	16	21
119620-79320	16	22
119620-79330	16	23
119620-79340	16	24
119620-79350	16	25
119625-11880	4	27
	19	11
119626-77210	16	2
119626-77450	16	26
119626-77710	16	16
119640-61400	4	62
119761-39450	9	28
119802-11870	4	26
	19	10
119802-13680	6	4
119802-51680	11	63
119802-51690	11	64
119803-11340	4	16
	19	8
119810-77340	16	29
119852-51630	11	68

Parts No.	Fig. No.	Ref. No.
119852-51640	11	69
119852-51650	11	71
119934-59910	11	129
120130-22301	8	21
121254-77590	15	39
121254-77810	15	29
121450-42450	10	33
121520-34810	9	15
121750-59890	14	12
121850-21130	8	11
121850-21290	8	4
121850-21920	8	5
121850-49540	10	22
	19	26
121850-49550	10	23
	19	27
	10	24
121850-49800	5	8
121850-77021	19	16
	17	4
121851-96240	13	26
123472-59120	16	5
123501-79240	7	9
123900-25060	15	1 -1
123900-77010	15	31
123900-77400	15	34
123900-77440	15	35
123900-77450		38
	15	36
123900-77460	15	37
123900-77480	15	21
123900-77510	15	22
123900-77520	15	24
123900-77540	15	41
123900-77610	15	43
123900-77640	15	44
123900-77650	15	45
123900-77710	4	56
123907-03100	4	57
123907-03110	4	58
123907-03120	4	59
123907-03140	4	36
123907-11280	4	4
123907-11550	13	25
123907-11601	4	22
123907-11820	4	21
123907-11830	9	31
123907-39500	14	14
123907-59540	14	15
123907-59550	19	32

Parts No.	Fig. No.	Ref. No.
123907-59560	14	20
123912-33050	9	2
123912-33100	9	3
124160-01751	2	24
	4	51
	4	17
124160-11340	19	9
	4	67
124160-11360	10	34
124465-44950	19	31
	14	18
124722-59050	14	5
124766-59050		9
	16	12
128401-77440	2	27
129001-91810		37
	14	1
129004-55612	9	33
129005-59830	12	19
129008-61301	16	4
129052-77380	16	7
129052-77422	16	17
129052-79260	16	18
129052-79270	2	1
129100-01580	3	1
	9	8
129103-49301	14	10
129136-59110	7	4
129150-02450	4	39
129150-11230		43
	4	20
		40
		44
	7	1
129150-14200	7	13
129150-25920	13	27
129150-59120	13	30
129150-59131	14	23
129242-55710	14	24
129242-55720	14	25
129242-55730	14	26
129242-55740	14	27
129242-55750	14	28
129242-55760	14	29
129242-55770	6	2
129263-13210	14	17
129263-49750	11	122
129263-77941	19	33
129400-92450	6	6
129418-18320	14	4
129457-59010		

Parts No.	Fig. No.	Ref. No.
129457-96200	17	1
		8
129457-96230	17	2
		9
129466-49300	9	9
129612-52100	14	22
129657-51590	11	58
129657-51600	11	59
129795-01900	16	1
129900-01200	1	27
129900-01250	1	4
129900-01620	3	2
129900-01740	2	26
129900-01850	2	35
129900-01870	2	36
129900-02020	1	6
129900-02341	1	32
129900-02410	1	9
129900-02931	1	24
129900-02941	1	35
129900-13251	6	3
	19	17
129900-14100	7	6
129900-21200	8	3
129900-21600	8	14
129900-23001	8	23
129900-23200	8	26
129900-23601	8	27
129900-23611	8	30
129900-23911	8	29
129900-25100	7	10
129900-32001	2	4
129900-32030	2	16
	9	20
	19	3
129900-32040	2	17
	19	4
129900-42020	10	11
	19	25
129900-49870	10	29
	19	29
129900-77591	15	40
129900-77620	15	42
129902-21000	8	1
129906-01640	3	9
129906-01700	3	8
129906-34851	9	16
129906-51580	11	56
129906-96930	17	11
129906-96950	17	7



Parts No. Index

Parts No.	Fig. No.	Ref. No.
129907-01331	1	28
	19	2
129907-03011	4	53
129907-03061	4	54
129907-03070	4	55
129907-07900	4	1
129907-11100	4	12
129907-11110	4	13
129907-11120	4	14
129907-11250	4	33
129907-11260	4	34
129907-11270	4	35
129907-11341	4	32
129907-11510	4	18
129907-11650	4	37
129907-11660	4	41
129907-11800	4	25
129907-11910	4	28
129907-11920	4	45
129907-11950	4	29
129907-12110	5	1
	19	14
129907-14400	7	2
129907-21510	8	12
129907-25900	7	16
129907-33010	9	1
129907-42450	10	14
129907-49050	9	5
129907-49630	9	10
129907-49650	9	12
129907-51560	11	53
129907-59140	14	13
129908-14581	7	3
129908-33101	9	4
129916-01790	3	7
129916-01800	2	34
129916-21610	8	7
129916-21680	8	9
129916-49530	10	20
129916-77300	16	28
129923-35160	9	40
129927-11320	4	52
129927-11700	4	5
129927-13800	6	8
129927-13810	6	9
	19	18
129927-13900	6	12
129927-13910	6	13
	19	19
129927-13920	6	14

Parts No.	Fig. No.	Ref. No.
129927-13920	19	20
129927-22050	8	17
129927-22080	8	15
129927-39060	9	29
129927-42000	10	1
129927-42140	2	17 A
129927-44900	10	18
129927-49610	10	35
129927-51250	11	136
129927-51300	11	21
129927-51340	11	31
129927-51650	11	120
129927-51660	11	121
129927-51670	11	124
129927-53300	13	10
129927-59550	14	16
129927-59810	13	32
129927-59820	13	33
129927-59830	13	34
129927-59840	13	35
129927-75910	18	19
129927-77600	18	11
		20
129927-77680	18	12
		21
129927-77690	16	31
129930-13201	6	17
	19	21
129933-11310	4	61
	19	13
129936-55800	14	2
129939-07920	4	2
129939-12100	5	3
129939-12150	5	2
129939-13120	6	1
129939-49630	10	39
129939-49800	10	17
129939-75060	18	1
129940-42290	10	16
129940-77010	15	1
129940-77100	15	2
129940-77130	15	5
129940-77140	15	6
129940-77150	15	7
129940-77160	15	8
129940-77170	15	9
129940-77180	15	10
129940-77190	15	11
129940-77200	15	12
129940-77210	15	13

Parts No.	Fig. No.	Ref. No.
129940-77220	15	14
129940-77230	15	15
129940-77240	15	16
129940-77250	15	17
129940-77260	15	18
129940-77270	15	19
129940-77280	15	20
129944-01500	2	3
129953-25300	7	15
129953-35000	9	21
129957-59120	14	6
129960-21640	8	8
129961-59110	14	11
129961-59310	14	8
144626-51090	11	9
158552-51570	11	54
158552-51580	11	57
158552-51670	11	125
158552-51781	11	96
158552-52100	11	127
158552-52310	11	102
158552-52400	11	103
158552-52500	11	128
158553-51670	11	62
158553-51680	11	74
158553-61780	12	23
158557-51570	11	55
158557-61720	12	22
158560-51600	11	67
158560-61050	12	2
158563-51150	7	17
	11	12
158563-51281	11	19
		20
158563-51330	11	30
158600-51270	11	18
158601-51550	11	52
158601-51650	11	123
158601-51770	11	95
158601-51790	11	97
171008-77750	15	46
171031-11741	2	30
171051-01921	1	5
175339-79700	4	63
22137-100000	17	5
		12
22190-080002	9	34
		36
		38
	14	21

Parts No.	Fig. No.	Ref. No.
22190-080002	19	24
22190-120002	10	26
	11	98
		105
		130
	19	28
22190-180002	11	99
22217-050000	11	131
22217-180000	7	18
	11	106
22252-000300	8	22
22312-050140	11	107
22351-050010	11	108
22351-060012	1	10
22512-070140	7	7
	8	6
22857-500100	4	64
		65
22877-500080	18	14
		23
23000-025000	9	13
23080-012000	10	38
		42
23414-080000	10	30
	19	30
23414-120000	12	24
23857-030000	9	35
23875-030000	10	27
23876-020000	4	9
23876-030000	1	11
		12
		13
	4	10
23887-120002	11	100
	12	25
24104-062024	17	3
		10
24311-000070	2	18
	11	109
	19	5
24311-000120	4	30
		68
	19	12
24311-000160	14	30
24311-000320	2	25
		31
	4	69
	19	7
24321-000600	9	14
	19	23



Parts No. Index

Parts No.	Fig. No.	Ref. No.
24321-000750	14	31
24341-000480	12	26
24341-000530	8	10
	19	22
24351-030750	2	19
	19	6
24356-010200	11	65
		110
24356-020210	11	111
24372-000150	11	66
26014-080252	16	30
26106-060102	11	112
26106-060122	4	66
	11	132
26106-060202	10	28
26106-060252	12	27
26106-060302	10	12
26106-060352	11	113
26106-080122	3	11
	9	26
		37
		39
	10	15
26106-080162	2	31
		20
		28
		38
	4	3
	7	8
	9	27
26106-080202	2	21
	11	137
26106-080252	12	28
26106-080302	11	138
	14	3
26106-080402	2	29
		39
	4	47
	5	11
26106-080452	2	22
	5	5
26106-080552	7	14
	10	13
26106-080602	4	48
		49
	10	32
26106-080802	5	6
26106-080902	5	12
26106-100302	6	10
		15

Parts No.	Fig. No.	Ref. No.
26106-100402	17	6
26106-100952	6	16
26116-120252	15	47
26206-100352	3	5
26206-100702	3	6
26216-060202	5	4
26216-100302	2	15
26226-080222	4	46
26306-080002	4	50
	6	7
		11
26306-100002	2	23
	16	27
	17	13
26366-060002	13	36
26450-100452	11	116
26716-050002	11	133
26776-180002	7	19
	11	117
27241-160000	11	134
27241-300000	1	14
27241-400000	4	11
27310-070001	4	23
729900-02801	1	29
729907-01559	2	32
729927-01560	1	1
729927-22900	8	32
729927-22950	8	34
729927-53300	13	1
729927-92680	19	1
729939-51330	11	1
977770-1207F	19	34
X2240610100	15	23
X9490561001	16	3

Parts No.	Fig. No.	Ref. No.
-----------	----------	----------

Parts No.	Fig. No.	Ref. No.
-----------	----------	----------