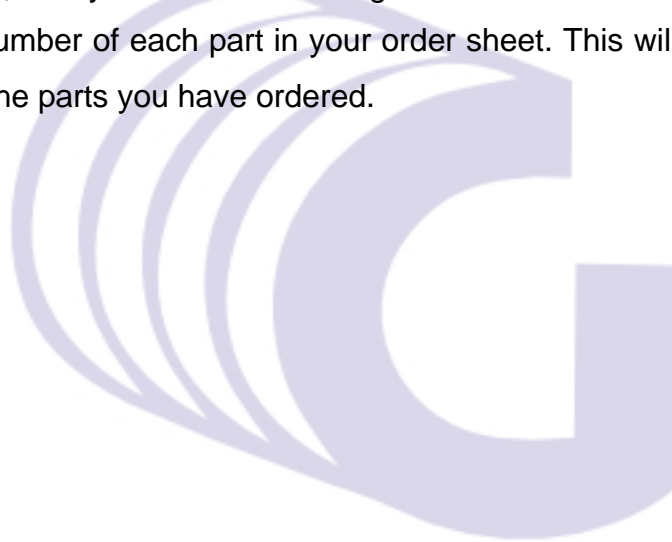


0CV10-M91300EN

PREFACE

- 1.This Parts Catalog carries all parts incorporated in YANMAR Model 4TNV94L-NCKM, 4TNV94L-NCKS engine manufactured since October, 2003.
- 2.Each illustration corresponds to the parts list on the following page.
- 3.When ordering parts,clearly write down the engine model and serial number,as well as the name and number of each part in your order sheet. This will help insure reliable delivery of the parts you have ordered.



Directions for the Parts Catalog.

1. The parts stipulated in this Parts Catalog are not necessarily standard equipped parts.
2. Parts may change without prior notice.
3. The following is an example of the Parts Catalog format.

| REF. | LEV. | PARTS NO. | DESCRIPTION | Q'TY | | | | | | I | R |
|------|------|--|---------------------|------|-----|-----|-----|-----|-----|---|---|
| | | | | (A) | (B) | (C) | (D) | (E) | (F) | | |
| 1 | 1 | 729595-51390 | FUEL INJECTION PUMP | 1 | 1 | 1 | 1 | 1 | | | 1 |
| 1-1 | 1 | 729595-51391 | FUEL INJECTION PUMP | 1 | 1 | 1 | 1 | 1 | | N | 1 |
| | | (A=E00185) (B=E00200) | | | | | | | | | |
| 3 | 2 | 26022-060162 | SCREW M 6X 16 | 9 | 9 | 9 | 9 | 9 | | | |
| 3-1 | 2 | 26022-060162 | SCREW M 6X 16 | 4 | 4 | 4 | 4 | 4 | | K | |
| | | (A=E00156) (B=E00156) (C=E00156) (D=E00156) (E=E00156) | | | | | | | | | |
| 4 | 2 | 129470-51040 | CAMSHAFT | 1 | 1 | 1 | 1 | 1 | | | |
| 5 | 2 | 122710-51050 | BEARING, ROLLER | 2 | 2 | 2 | 2 | 2 | | | |
| 6 | 2 | 129470-51060 | RETAINER | 1 | 1 | 1 | 1 | 1 | | | |

| |
|---|
| Remarks |
| (1) BOOST COMPEMSATOR TYPE. OPTIONAL PART, TO E00155,(4JH-DT, 4JH-DTZ |

① Ref. No.

The Ref. No. listed may not be in accordance with the illustration Ref. No.

(Ex.) Illustration No. 1 List Ref No. 1 (Before change) → 1-1 (After change)

For interchangeable symbols N, R and K, illustrations for new parts may be abbreviated.

② Lev. (Level)

Level indication

The numbers below indicate the level of relativity towards the main part.

1 ---- Main parts (Assembly parts)

2 ---- Sub component included in " 1 ".

3 ---- Sub component included in " 2 ".

Note) Parts that are not for sale are partially illustrated but not listed.

③ Interchangeability Mark

When a part change takes place, one of the following interchangeability symbols is indicated beside the part.

| Symbol | Interchangeability | Contents note |
|--------|---|--|
| N | Old $\begin{matrix} \leftarrow \text{Yes} \\ \text{No} \rightarrow \end{matrix}$ New | New Part is interchangeable for Old Part but Old Part is not interchangeable for New Part. |
| Q | Old $\begin{matrix} \leftarrow \text{No} \\ \text{Yes} \rightarrow \end{matrix}$ New | New Part is not interchangeable for Old Part but Old Part is interchangeable for New Part. |
| R | Old $\begin{matrix} \leftarrow \text{Yes} \\ \text{Yes} \rightarrow \end{matrix}$ New | New/ Old Parts are both interchangeable. |
| S | Old $\begin{matrix} \leftarrow \text{No} \\ \text{No} \rightarrow \end{matrix}$ New | New/ Old Parts are both not interchangeable. |
| W | | Part newly added. |
| Z | | Part discontinued. |
| F | | Not interchangeable by a single part but interchangeable together with related parts. |
| K | | Changes only for used parts quantities. |

④ Effective Machine No.

When a part changes, the effective Machine No. will be indicated in the (A)-(F) column.

| Product Symbol | Product No. | Product Symbol | Product No. |
|----------------|---------------------------|----------------|-----------------------------------|
| C | Clutch No. Compressor No. | F | Machine No. (Agricultural Equip.) |
| D | Drive No. | M | Machine No. |
| E | Engine No. | | |

Note 1) A date may follow the symbol. (Ex.) 1996.01

Note 2) " XXXXX " and " ZZZZZ " are for parts that could not be predicted or for engine models that could not be identified.

Note 3) (A=E00185) is the E (Engine Serial Number) for the column (A) model (in this case 4JH-DT) after the parts design change.

⑤ Remarks Mark

Figures or alphabets (symbols) are entered in the remarks column.

The comments (remarks) on parts that are indicated at the bottom of the illustration are the same symbols as those stated above.

Fig. No. Fig. Name

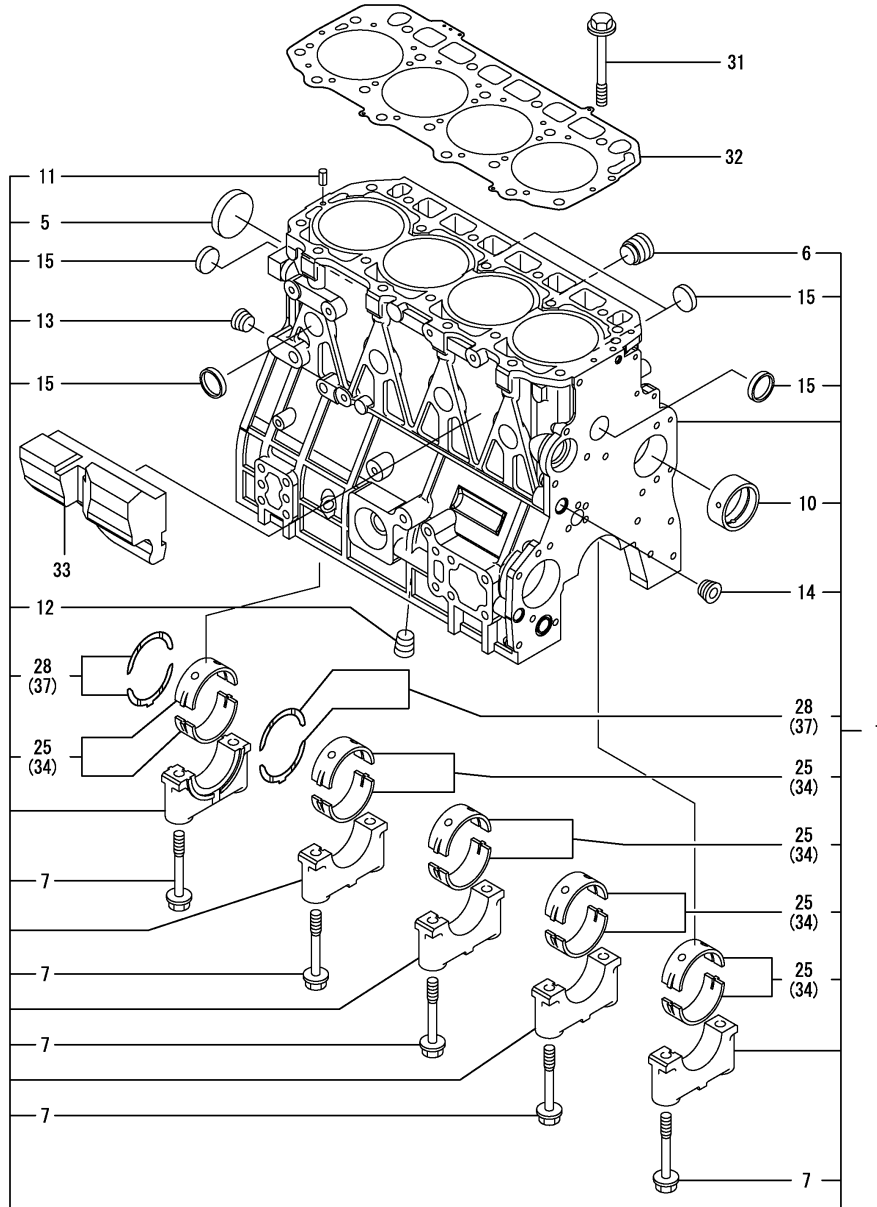
4TNV94L-NCKM,NCKS

1. CYLINDER BLOCK
2. GEAR HOUSING
3. FLYWHEEL HOUSING & OIL SUMP
4. CYLINDER HEAD & BONNET
5. SUCTION MANIFOLD
6. EXHAUST MANIFOLD
7. CAMSHAFT & DRIVING GEAR
8. CRANKSHAFT & PISTON
9. LUB. OIL SYSTEM
10. COOLING WATER SYSTEM
11. FUEL INJECTION PUMP
12. FUEL INJECTION VALVE
13. FUEL LINE
14. GENERATOR
18. (14A)GENERATOR
15. GASKET SET
16. FUEL INJECTION PUMP(INNER PARTS)
17. GOVERNOR (INNER PARTS)

Fig. No. Fig. Name



(A)=4TNV94L-NCKM
 (B)=4TNV94L-NCKS
 (C)=

 (D)=
 (E)=
 (F)=


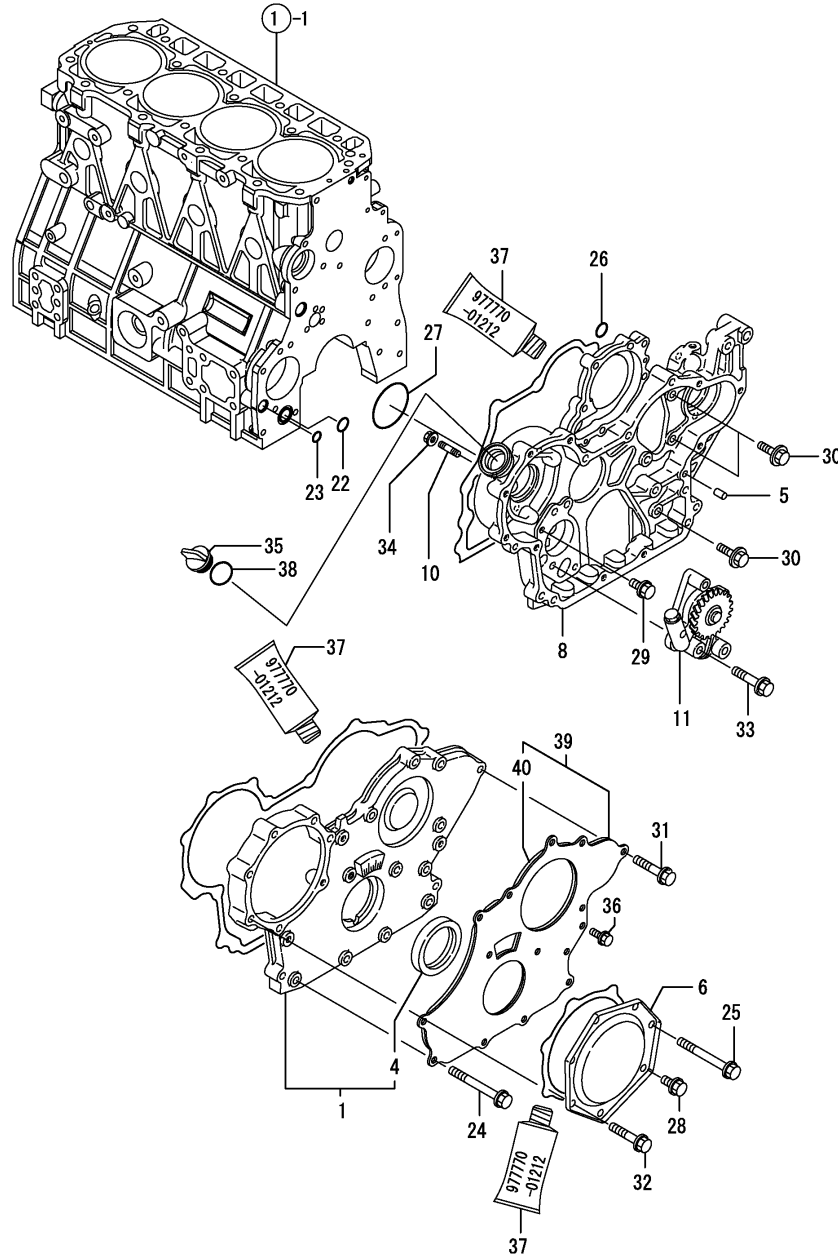
| No. | Lev. | Parts No. | Description | Q'ty | | | | | | I | R |
|------|------|---------------------------|----------------------|------|-----|-----|-----|-----|-----|---|---|
| | | | | (A) | (B) | (C) | (D) | (E) | (F) | | |
| 1 | 1 | 729906-01560 | BLOCK ASSY, CYLINDER | 1 | 1 | | | | | | |
| 5 | 2 | 129900-01250 | PLUG, 55 | 1 | 1 | | | | | | |
| 6 | 2 | 171051-01921 | PLUG, NPTF1 | 1 | 1 | | | | | | |
| 7 | 2 | 129900-02020 | BOLT, METAL CAP | 10 | 10 | | | | | | |
| 10 | 2 | 129900-02410 | BUSH, CAMSHAFT | 1 | 1 | | | | | | |
| 11 | 2 | 22351-060012 | PIN, SPRING 6.0X12 | 2 | 2 | | | | | | |
| 12 | 2 | 23876-030000 | PLUG, R03 | 1 | 1 | | | | | | |
| 13 | 2 | 23876-030000 | PLUG, R03 | 1 | 1 | | | | | | |
| 14 | 2 | 23876-030000 | PLUG, R03 | 1 | 1 | | | | | | |
| 15 | 2 | 27241-300000 | PLUG 30 | 8 | 8 | | | | | | |
| 25 | 2 | 729900-02800 | BEARING, MAIN | 5 | 5 | | | | | | 3 |
| 28 | 2 | 129900-02930 | BEARING, THRUST | 2 | 2 | | | | | | |
| 31 | 1 | 129900-01200 | BOLT, HEAD | 18 | 18 | | | | | | |
| 32 | 1 | 129906-01340 | GASKET, HEAD | 1 | 1 | | | | | | |
| 32-1 | 1 | 129907-01331 | GASKET, HEAD | 1 | 1 | | | | | | N |
| | | (A=*2009.09) | | | | | | | | | |
| 32-2 | 1 | 129906-01350 | GASKET, HEAD | 1 | 1 | | | | | | N |
| | | (A=*2009.12) (B=*2009.12) | | | | | | | | | |
| 33 | 1 | 129907-01190 | SPACER | 1 | 1 | | | | | | |
| 34 | 1 | 129900-02340 | BEARING, 0.25 US | 5 | 5 | | | | | | 1 |
| 37 | 1 | 129900-02940 | BEARING, THRUST 0.25 | 2 | 2 | | | | | | 2 |

Remarks

- (1) UNDER-SIZED(U.S=0.25)PART.
- (2) OVER-SIZED(O.S=0.25)PART.
- (3) REPAIR PART.

(A)=4TNV94L-NCKM
 (B)=4TNV94L-NCKS
 (C)=

(D)=
 (E)=
 (F)=

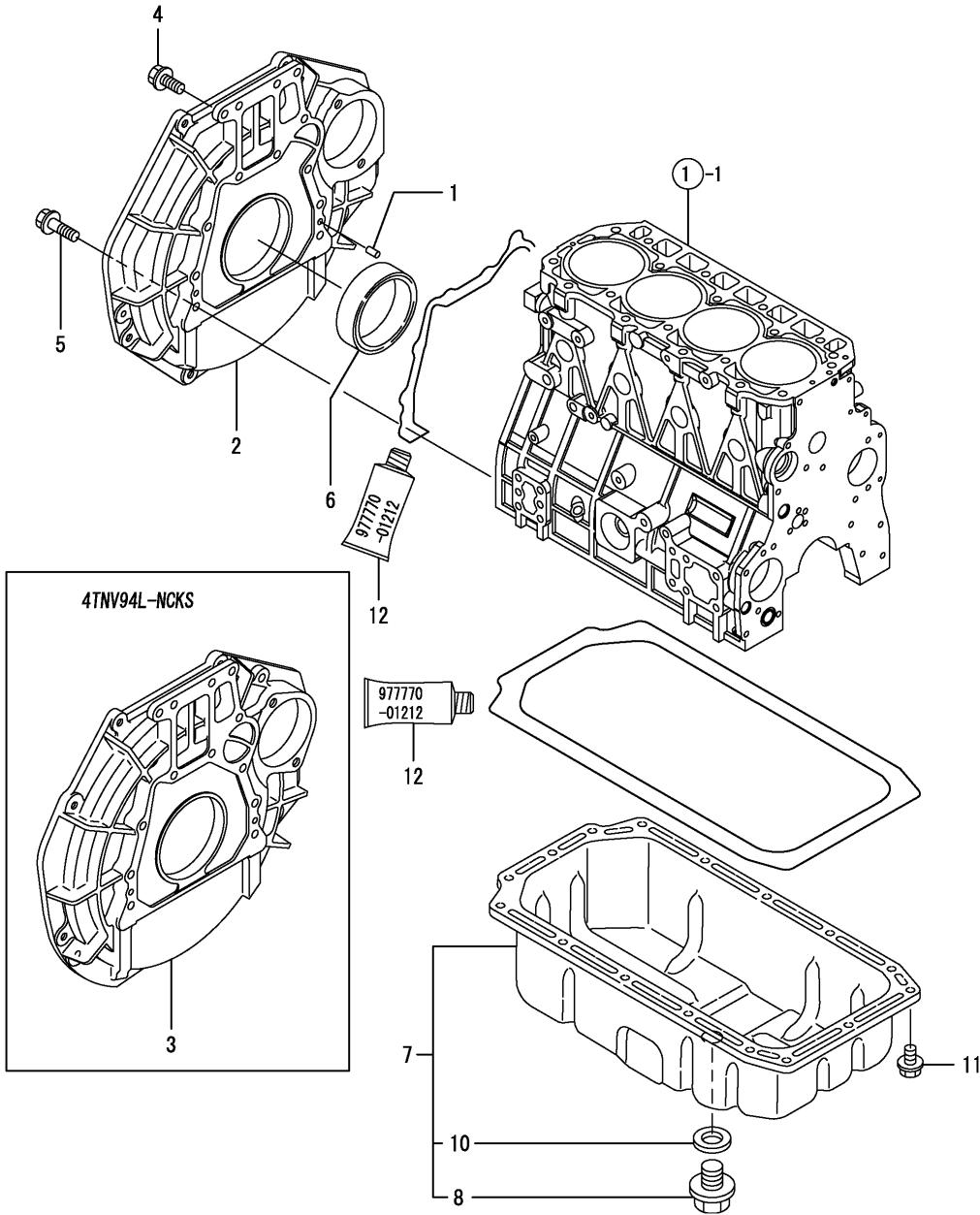


| No. | Lev. | Parts No. | Description | Q'ty | | | | | | I | R |
|-----|------|--------------|----------------------|------|-----|-----|-----|-----|-----|---|---|
| | | | | (A) | (B) | (C) | (D) | (E) | (F) | | |
| 1 | 1 | 729907-01550 | COVER ASSY,GEAR CASE | 1 | 1 | | | | | | |
| 4 | 2 | 129900-01780 | SEAL, OIL | 1 | 1 | | | | | | |
| 5 | 1 | 129100-01580 | PIN, M8X16 | 4 | 4 | | | | | | |
| 6 | 1 | 129900-01740 | COVER | 1 | 1 | | | | | | |
| 8 | 1 | 129906-01500 | CASE ASSY, GEAR | 1 | 1 | | | | | | |
| 10 | 1 | 26216-100302 | STUD, M10X 30 | 4 | 4 | | | | | | |
| 11 | 1 | 129900-32001 | PUMP ASSY, OIL | 1 | 1 | | | | | | |
| 22 | 1 | 129900-32030 | O-RING, P20 | 1 | 1 | | | | | | |
| 23 | 1 | 129900-32040 | O-RING, P14 | 1 | 1 | | | | | | |
| 24 | 1 | 129001-91810 | BOLT, M8X70 | 6 | 6 | | | | | | |
| 25 | 1 | 129001-91810 | BOLT, M8X70 | 1 | 1 | | | | | | |
| 26 | 1 | 24311-000070 | O-RING, 1AP7.0 | 1 | 1 | | | | | | |
| 27 | 1 | 24351-030750 | O-RING, 1A3075 | 1 | 1 | | | | | | |
| 28 | 1 | 26106-080162 | BOLT, M8X 16 PLATED | 1 | 1 | | | | | | |
| 29 | 1 | 26106-080162 | BOLT, M8X 16 PLATED | 1 | 1 | | | | | | |
| 30 | 1 | 26106-080202 | BOLT, M8X 20 PLATED | 3 | 3 | | | | | | |
| 31 | 1 | 26106-080402 | BOLT, M8X 40 PLATED | 5 | 5 | | | | | | |
| 32 | 1 | 26106-080402 | BOLT, M8X 40 PLATED | 5 | 5 | | | | | | |
| 33 | 1 | 26106-080452 | BOLT, M8X 45 PLATED | 3 | 3 | | | | | | |
| 34 | 1 | 26306-100002 | NUT, M10 | 4 | 4 | | | | | | |
| 35 | 1 | 124160-01751 | COVER, FILLER | 1 | 1 | | | | | | |
| 36 | 1 | 26106-080162 | BOLT, M8X 16 PLATED | 3 | 3 | | | | | | |
| 37 | 1 | 977770-01212 | GASKET, LIQUID | 1 | 1 | | | | | | 1 |
| 38 | 1 | 24311-000320 | O-RING, 1AP32.0 | 1 | 1 | | | | | | |
| 39 | 1 | 129900-01850 | COVER ASSY,GEAR CASE | 1 | 1 | | | | | | |
| 40 | 2 | 129900-01870 | SPONGE | 1 | 1 | | | | | | |

Remarks
 (1) OPTIONAL PART.

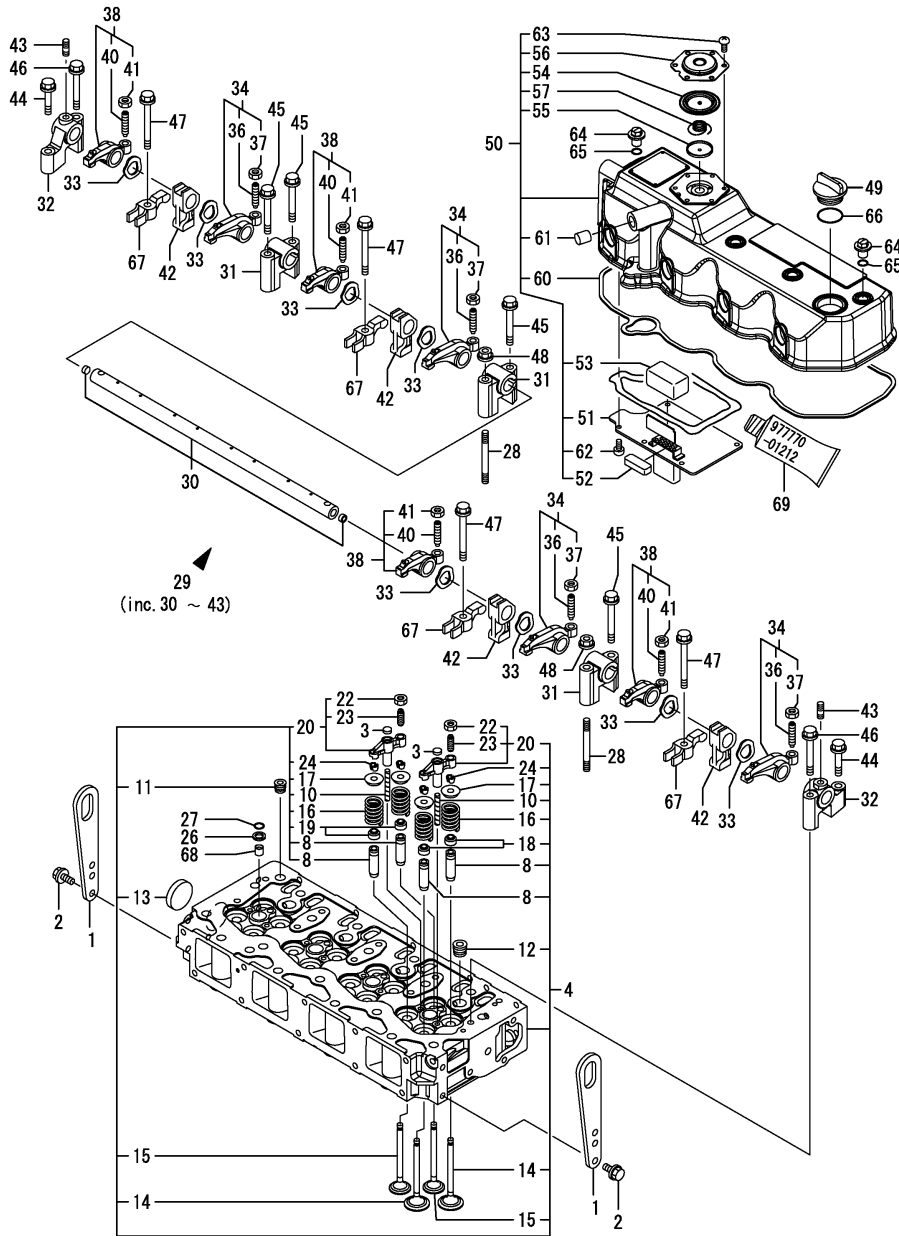
(A)=4TNV94L-NCKM
 (B)=4TNV94L-NCKS
 (C)=

(D)=
 (E)=
 (F)=



| No. | Lev. | Parts No. | Description | Q'ty | | | | | | I | R |
|-----|------|--------------|----------------------|------|-----|-----|-----|-----|-----|---|---|
| | | | | (A) | (B) | (C) | (D) | (E) | (F) | | |
| 1 | 1 | 129100-01580 | PIN, M8X16 | 2 | 2 | | | | | | |
| 2 | 1 | 129916-01600 | HOUSING, FLYWHEEL | 1 | | | | | | | |
| 3 | 1 | 129916-01630 | HOUSING, FLYWHEEL | | 1 | | | | | | |
| 4 | 1 | 26206-100202 | BOLT, M10X 20 PLATED | 4 | 4 | | | | | | |
| 5 | 1 | 26206-100352 | BOLT, M10X 35 PLATED | 9 | 9 | | | | | | |
| 6 | 1 | 124411-01780 | SEAL, HTC95X115X12 | 1 | 1 | | | | | | |
| 7 | 1 | 129930-01710 | SUMP ASSY, OIL | 1 | 1 | | | | | | |
| 8 | 2 | 119640-01640 | PLUG, DRAIN M22 | 1 | 1 | | | | | | |
| 10 | 2 | 22190-220002 | WASHER, SEAL 22 | 1 | 1 | | | | | | |
| 11 | 1 | 26106-080122 | BOLT, M8X 12 PLATED | 16 | 16 | | | | | | |
| 12 | 1 | 977770-01212 | GASKET, LIQUID | 1 | 1 | | | | | | 1 |

Remarks
 (1) OPTIONAL PART.



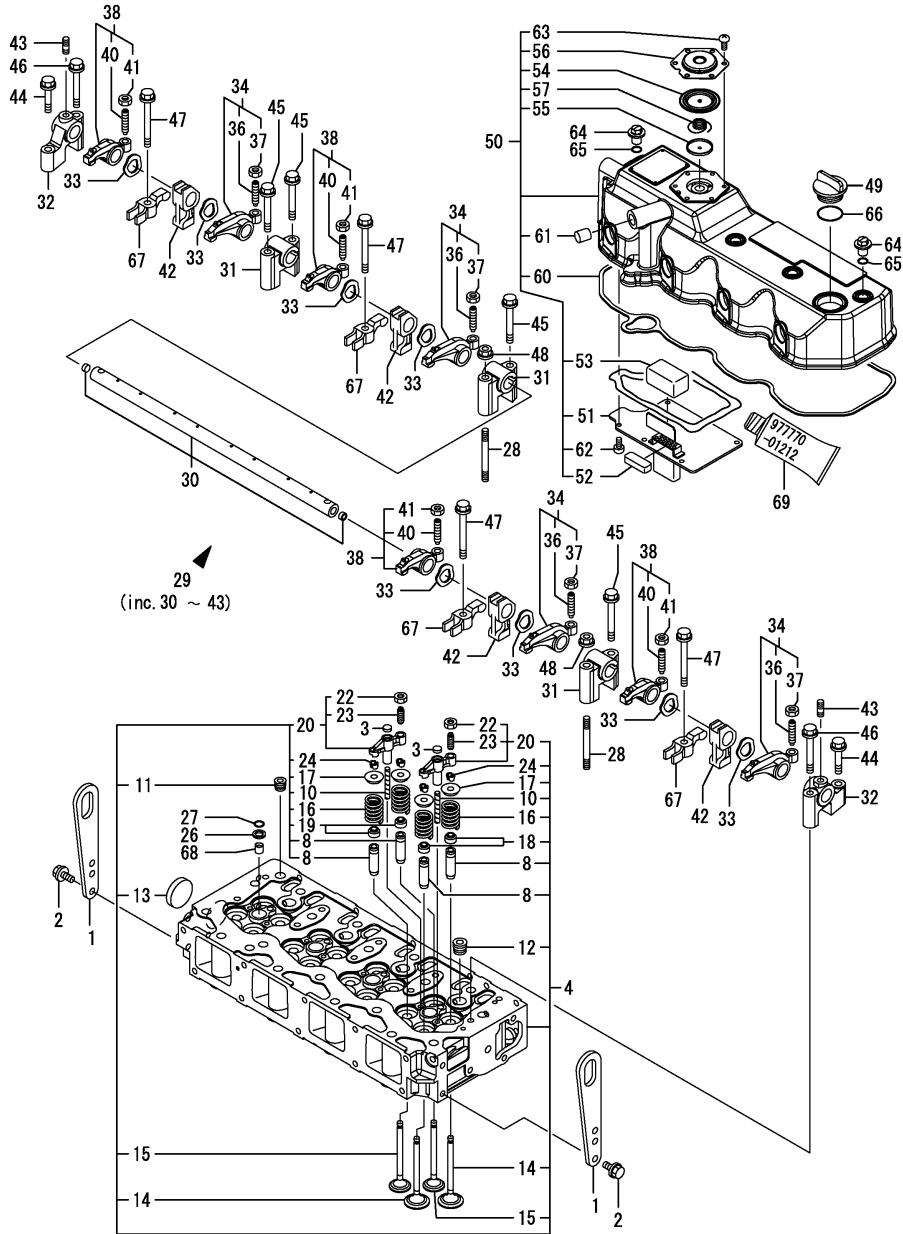
(A)=4TNV94L-NCKM
(B)=4TNV94L-NCKS
(C)=

(D)=
(E)=
(F)=

| No. | Lev. | Parts No. | Description | Q'ty | | | | | | I | R |
|-----|------|--------------|---------------------|------|-----|-----|-----|-----|-----|---|---|
| | | | | (A) | (B) | (C) | (D) | (E) | (F) | | |
| 1 | 1 | 129900-07900 | LIFTER | 2 | 2 | | | | | | |
| 2 | 1 | 26106-080162 | BOLT, M8X 16 PLATED | 4 | 4 | | | | | | |
| 3 | 1 | 123907-11550 | SEAT, VALVE BRIDGE | 8 | 8 | | | | | | |
| 4 | 1 | 129907-11700 | HEAD ASSY, CYLINDER | 1 | 1 | | | | | | |
| 8 | 2 | 129907-11800 | GUIDE, VALVE | 16 | 16 | | | | | | 1 |
| 10 | 2 | 123907-11820 | GUIDE | 8 | 8 | | | | | | |
| 11 | 2 | 23876-020000 | PLUG, R02 | 1 | 1 | | | | | | |
| 12 | 2 | 23876-030000 | PLUG, R03 | 4 | 4 | | | | | | |
| 13 | 2 | 27241-400000 | PLUG, 40 | 1 | 1 | | | | | | |
| 14 | 2 | 129907-11100 | VALVE, INTAKE | 8 | 8 | | | | | | |
| 15 | 2 | 129907-11110 | VALVE, EXHAUST | 8 | 8 | | | | | | |
| 16 | 2 | 129907-11120 | SPRING, VALVE | 16 | 16 | | | | | | |
| 17 | 2 | 119620-11180 | RETAINER, SPRING | 16 | 16 | | | | | | |
| 18 | 2 | 124160-11340 | SEAL, VALVE STEM | 8 | 8 | | | | | | |
| 19 | 2 | 124950-11340 | SEAL, VALVE STEM | 8 | 8 | | | | | | |
| 20 | 2 | 129907-11510 | BRIDGE ASSY, VALVE | 8 | 8 | | | | | | |
| 22 | 3 | 129150-11750 | NUT, M8 | 8 | 8 | | | | | | |
| 23 | 3 | 123907-11830 | ADJUSTER | 8 | 8 | | | | | | |
| 24 | 2 | 27310-070001 | COTTER, 7 | 16 | 16 | | | | | | |
| 26 | 1 | 119625-11880 | SEAT, NOZZLE | 4 | 4 | | | | | | |
| 27 | 1 | 24311-000120 | O-RING, 1AP12.0 | 4 | 4 | | | | | | |
| 28 | 1 | 119593-11301 | STUD, M8X80 | 2 | 2 | | | | | | |
| 29 | 1 | 129907-11341 | SHAFT ASSY, ROCKER | 1 | 1 | | | | | | |
| 30 | 2 | 129907-11250 | SHAFT, ROCKER ARM | 1 | 1 | | | | | | |
| 31 | 2 | 129907-11260 | SUPPORT, ROCKER ARM | 3 | 3 | | | | | | |
| 32 | 2 | 129907-11270 | SUPPORT, ROCKER ARM | 2 | 2 | | | | | | |
| 33 | 2 | 123907-11280 | WASHER | 8 | 8 | | | | | | |
| 34 | 2 | 129907-11650 | ARM, ROCKER | 4 | 4 | | | | | | |
| 36 | 3 | 129150-11230 | SCREW, VALVE ADJUST | 4 | 4 | | | | | | |
| 37 | 3 | 129150-11750 | NUT, M8 | 4 | 4 | | | | | | |
| 38 | 2 | 129907-11660 | ARM, ROCKER | 4 | 4 | | | | | | |
| 40 | 3 | 129150-11230 | SCREW, VALVE ADJUST | 4 | 4 | | | | | | |
| 41 | 3 | 129150-11750 | NUT, M8 | 4 | 4 | | | | | | |
| 42 | 2 | 129907-11920 | RETAINER | 4 | 4 | | | | | | |
| 43 | 2 | 26226-080222 | STUD, M8X 22 | 2 | 2 | | | | | | |
| 44 | 1 | 26106-080402 | BOLT, M8X 40 PLATED | 2 | 2 | | | | | | |
| 45 | 1 | 26106-080602 | BOLT, M8X 60 PLATED | 4 | 4 | | | | | | |
| 46 | 1 | 26106-080602 | BOLT, M8X 60 PLATED | 2 | 2 | | | | | | |
| 47 | 1 | 129907-11950 | BOLT, M8X75 | 4 | 4 | | | | | | |
| 48 | 1 | 26306-080002 | NUT, M8 | 2 | 2 | | | | | | |
| 49 | 1 | 124160-01751 | COVER, FILLER | 1 | 1 | | | | | | |
| 50 | 1 | 129907-11320 | BONNET ASSY, HEAD | 1 | 1 | | | | | | |
| 51 | 2 | 129907-03010 | PLATE | 1 | 1 | | | | | | |
| 52 | 2 | 129907-03060 | BAFFLE, BREATHER | 1 | 1 | | | | | | |
| 53 | 2 | 129907-03070 | BAFFLE, BREATHER | 1 | 1 | | | | | | |
| 54 | 2 | 123907-03100 | DIAPHRAGM | 1 | 1 | | | | | | |
| 55 | 2 | 123907-03110 | PLATE | 1 | 1 | | | | | | |
| 56 | 2 | 123907-03120 | PLATE, BREATHER | 1 | 1 | | | | | | |
| 57 | 2 | 123907-03140 | SPRING, DIAPHRAGM | 1 | 1 | | | | | | |
| 60 | 2 | 129907-11310 | GASKET, BONNET | 1 | 1 | | | | | | |
| 61 | 2 | 119640-61400 | PLUG | 1 | 1 | | | | | | |

Remarks

- (1) REPAIR PART.
- (2) OPTIONAL PART.



(A)=4TNV94L-NCKM
 (B)=4TNV94L-NCKS
 (C)=

(D)=
 (E)=
 (F)=

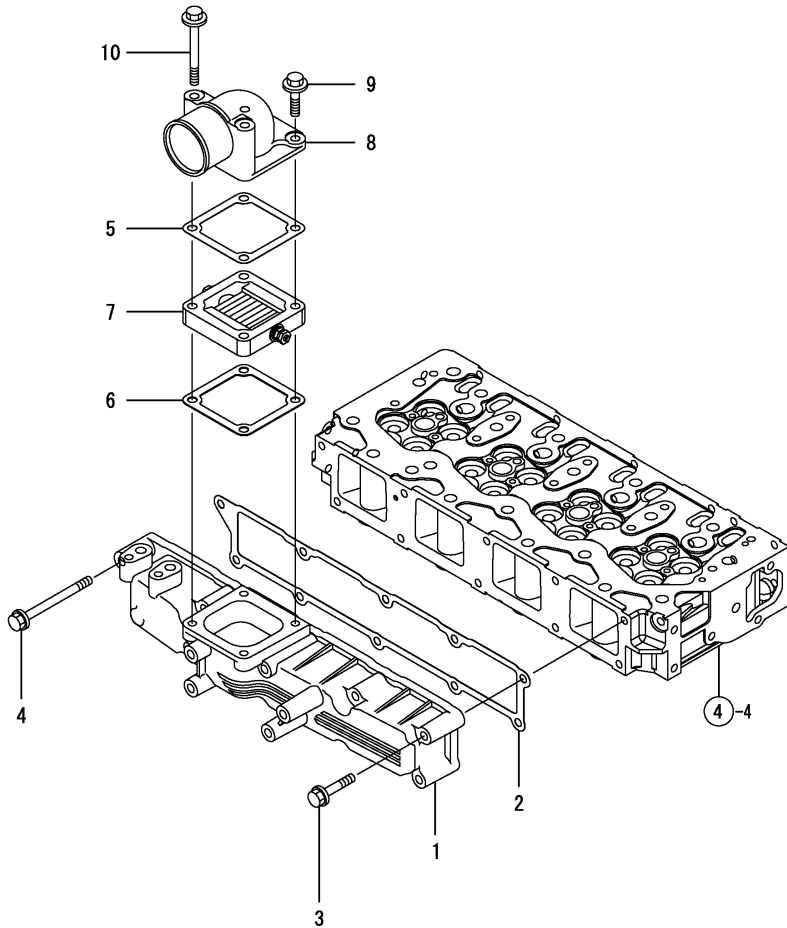
| No. | Lev. | Parts No. | Description | Q'ty | | | | | | I | R |
|-----|------|--------------|-------------------|------|-----|-----|-----|-----|-----|---|---|
| | | | | (A) | (B) | (C) | (D) | (E) | (F) | | |
| 62 | 2 | 22857-500100 | SCREW, 5X10 | 6 | 6 | | | | | | |
| 63 | 2 | 22857-500100 | SCREW, 5X10 | 6 | 6 | | | | | | |
| 64 | 1 | 124160-11360 | KNOB | 4 | 4 | | | | | | |
| 65 | 1 | 24311-000120 | O-RING, 1AP12.0 | 4 | 4 | | | | | | |
| 66 | 1 | 24311-000320 | O-RING, 1AP32.0 | 1 | 1 | | | | | | |
| 67 | 1 | 129907-11910 | RETAINER, NOZZLE | 4 | 4 | | | | | | |
| 68 | 1 | 119802-11870 | PROTECTOR, NOZZLE | 4 | 4 | | | | | | |
| 69 | 1 | 97770-01212 | GASKET, LIQUID | 1 | 1 | | | | | | 2 |

Remarks
 (1) REPAIR PART.
 (2) OPTIONAL PART.

(A)=4TNV94L-NCKM
 (B)=4TNV94L-NCKS
 (C)=

(D)=
 (E)=
 (F)=

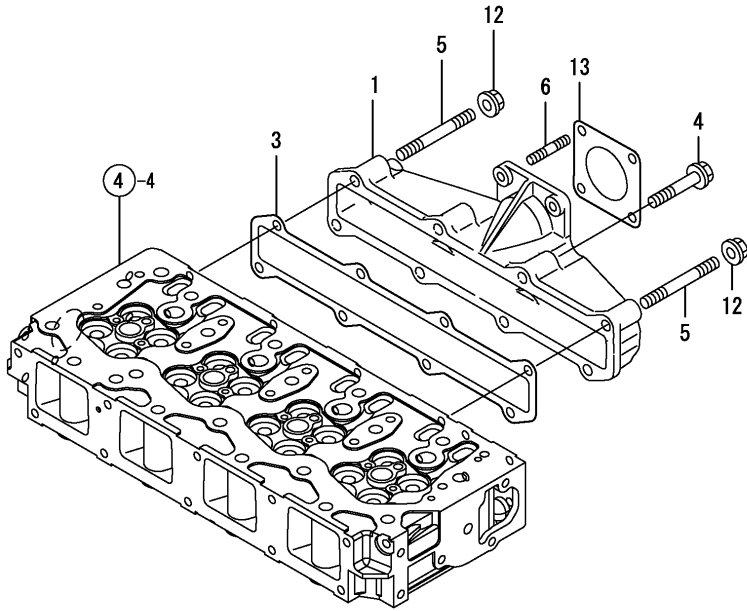
発行No. 000Y00V9130-2
 更新年月: 2007.06
 REVISED: June., 2007



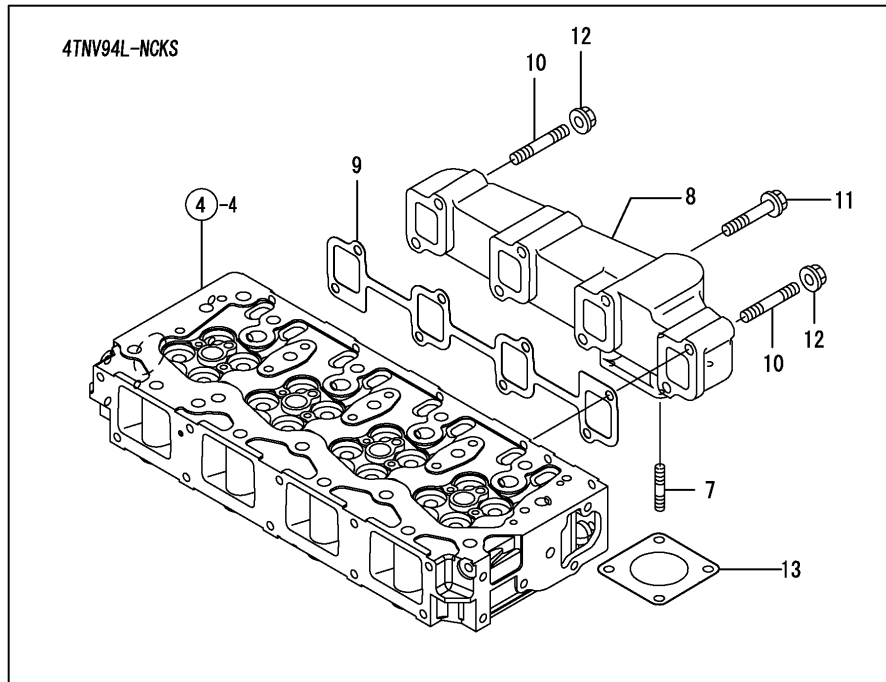
| No. | Lev. | Parts No. | Description | Q'ty | | | | | | I | R |
|------------|------|--------------|----------------------|------|-----|-----|-----|-----|-----|---|---|
| | | | | (A) | (B) | (C) | (D) | (E) | (F) | | |
| 1 | 1 | 129907-12100 | MANIFOLD, AIR INTAKE | 1 | 1 | | | | | | |
| 2 | 1 | 129907-12110 | GASKET, MANIFOLD | 1 | 1 | | | | | | |
| 3 | 1 | 26106-080552 | BOLT, M8X 55 PLATED | 9 | 9 | | | | | | |
| 4 | 1 | 26106-080852 | BOLT, M8X 85 PLATED | 1 | 1 | | | | | | |
| 5 | 1 | 119129-77020 | GASKET | 1 | 1 | | | | | | |
| 6 | 1 | 121850-77021 | GASKET | 1 | 1 | | | | | | |
| 7 | 1 | 119005-77050 | HEATER | 1 | 1 | | | | | | |
| 8 | 1 | 119129-77520 | BEND | 1 | 1 | | | | | | |
| 8-1 | 1 | 129927-77520 | BEND, INTAKE | 1 | | | | | | | N |
| (A=E36882) | | | | | | | | | | | |
| 9 | 1 | 26106-080402 | BOLT, M8X 40 PLATED | 2 | 2 | | | | | | |
| 10 | 1 | 26106-080902 | BOLT, M8X 90 PLATED | 2 | 2 | | | | | | |

(A)=4TNV94L-NCKM
 (B)=4TNV94L-NCKS
 (C)=

(D)=
 (E)=
 (F)=

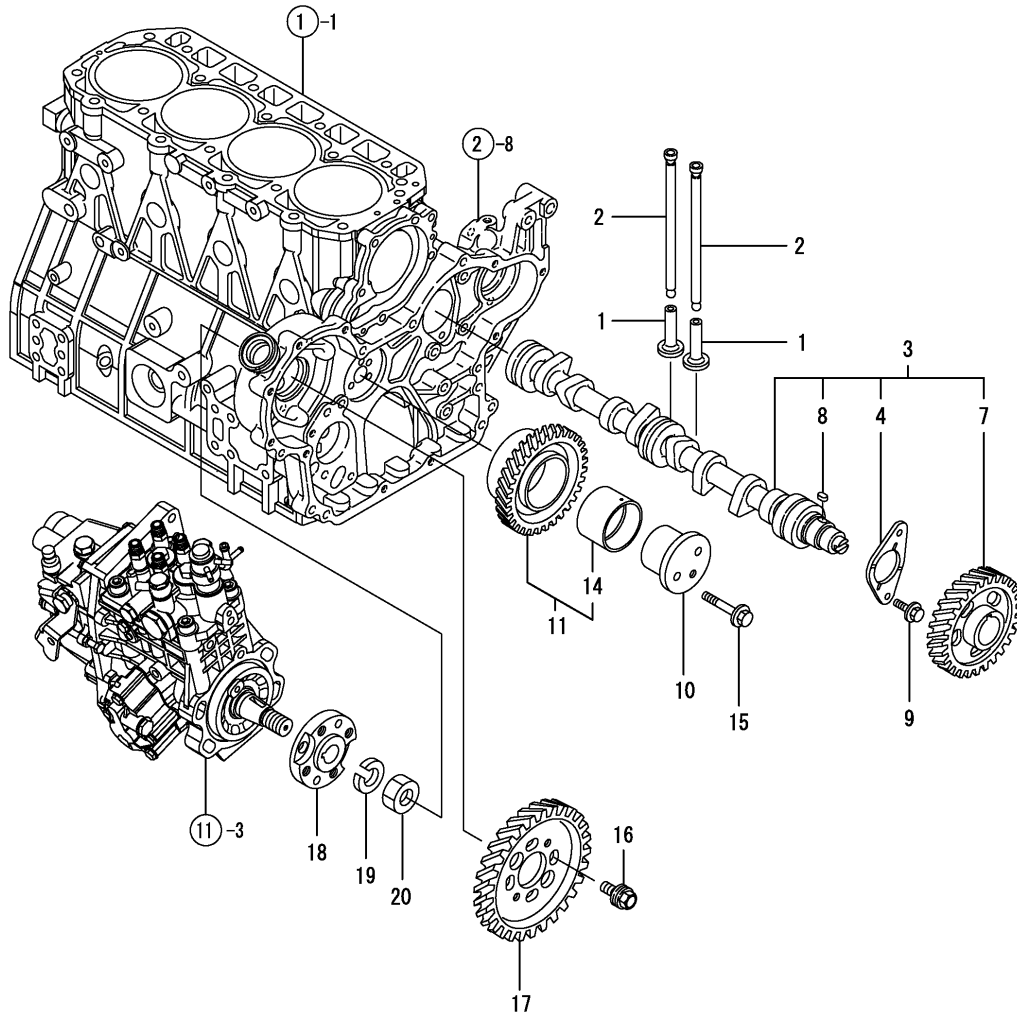


| No. | Lev. | Parts No. | Description | Q'ty | | | | | | I | R |
|-----|------|--------------|-------------------|------|-----|-----|-----|-----|-----|---|---|
| | | | | (A) | (B) | (C) | (D) | (E) | (F) | | |
| 1 | 1 | 129900-13120 | MANIFOLD, EXHAUST | 1 | | | | | | | |
| 3 | 1 | 129900-13150 | GASKET | 1 | | | | | | | |
| 4 | 1 | 119802-13610 | BOLT, M8X45 | 6 | | | | | | | |
| 5 | 1 | 119802-13720 | STUD, M8X45 | 2 | | | | | | | |
| 6 | 1 | 119131-18320 | STUD, M8X22 | 4 | | | | | | | |
| 7 | 1 | 119107-13190 | STUD, M10X30 | | | 4 | | | | | |
| 8 | 1 | 129916-13210 | MANIFOLD, EXHAUST | 1 | | | | | | | |
| 9 | 1 | 129900-13251 | GASKET | 1 | | | | | | | |
| 10 | 1 | 123900-13610 | STUD, M8X80 | 2 | | | | | | | |
| 11 | 1 | 123900-13630 | BOLT, M8X80 | | | 6 | | | | | |
| 12 | 1 | 26306-080002 | NUT, M8 | 2 | 2 | | | | | | |
| 13 | 1 | 128300-13230 | GASKET, SILENCER | 1 | 1 | | | | | | |



(A)=4TNV94L-NCKM
 (B)=4TNV94L-NCKS
 (C)=

(D)=
 (E)=
 (F)=

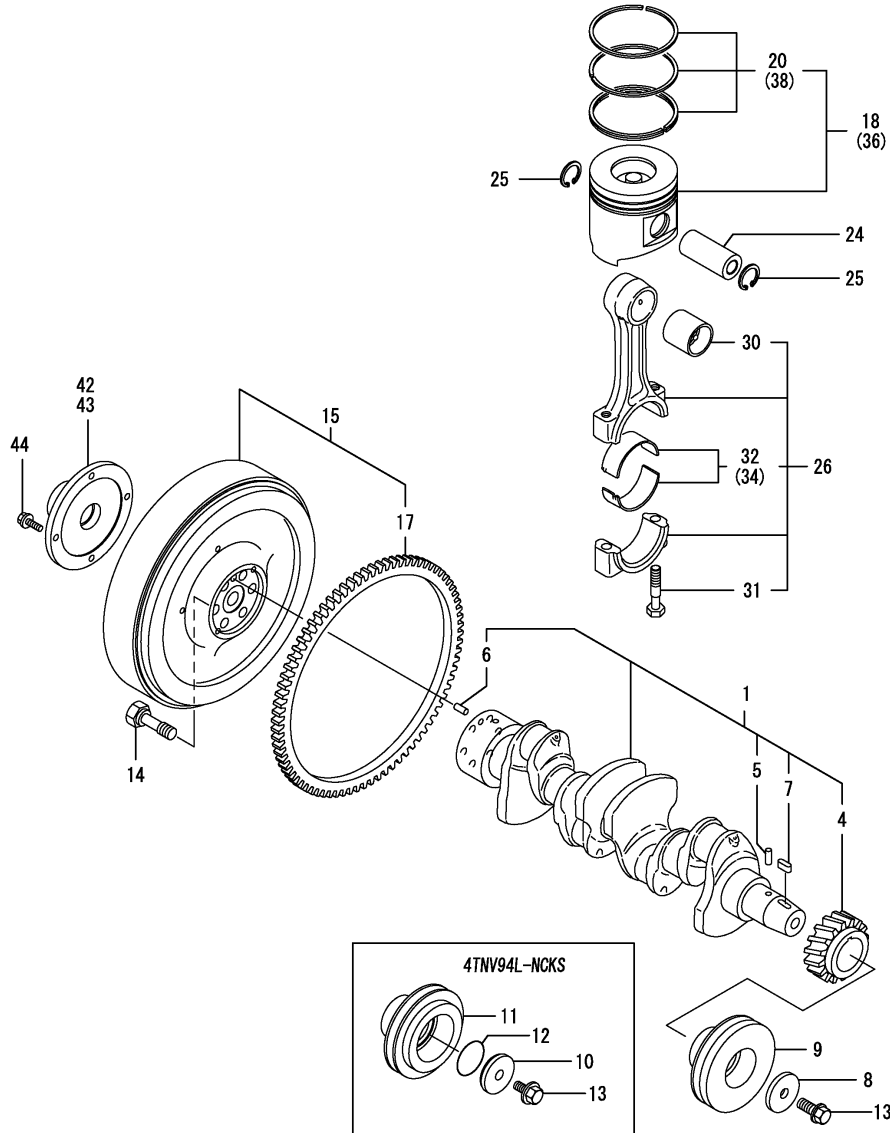


| No. | Lev. | Parts No. | Description | Q'ty | | | | | | I | R |
|-----|------|--------------|---------------------|------|-----|-----|-----|-----|-----|---|---|
| | | | | (A) | (B) | (C) | (D) | (E) | (F) | | |
| 1 | 1 | 129150-14200 | TAPPET | 8 | 8 | | | | | | |
| 2 | 1 | 129907-14400 | ROD, PUSH | 8 | 8 | | | | | | |
| 3 | 1 | 129907-14581 | CAMSHAFT ASSY | 1 | 1 | | | | | | |
| 3-1 | 1 | 129908-14581 | CAMSHAFT ASSY | 1 | 1 | | | | | | N |
| | | (A=EZZZZZ) | (B=EZZZZZ) | | | | | | | | |
| 4 | 2 | 129150-02450 | BEARING, THRUST | 1 | 1 | | | | | | |
| 7 | 2 | 129900-14100 | GEAR, CAMSHAFT | 1 | 1 | | | | | | |
| 8 | 2 | 22512-070140 | KEY, 7X 14 | 1 | 1 | | | | | | |
| 9 | 1 | 26106-080162 | BOLT, M8X 16 PLATED | 2 | 2 | | | | | | |
| 10 | 1 | 123900-25060 | SHAFT, IDLE GEAR | 1 | 1 | | | | | | |
| 11 | 1 | 129900-25100 | GEAR ASSY, IDLE | 1 | 1 | | | | | | |
| 14 | 2 | 129150-25920 | BUSH, IDLE GEAR | 1 | 1 | | | | | | 1 |
| 15 | 1 | 26106-080552 | BOLT, M8X 55 PLATED | 3 | 3 | | | | | | |
| 16 | 1 | 129953-25300 | BOLT | 4 | 4 | | | | | | |
| 17 | 1 | 123907-25909 | GEAR, PUMP | 1 | 1 | | | | | | |
| 18 | 1 | 158563-51150 | FLANGE | 1 | 1 | | | | | | |
| 19 | 1 | 22217-180000 | WASHER, SPRING 18 | 1 | 1 | | | | | | |
| 20 | 1 | 26776-180002 | NUT, LOCK M18 | 1 | 1 | | | | | | |

Remarks
 (1) REPAIR PART.

(A)=4TNV94L-NCKM
(B)=4TNV94L-NCKS
(C)=

(D)=
(E)=
(F)=



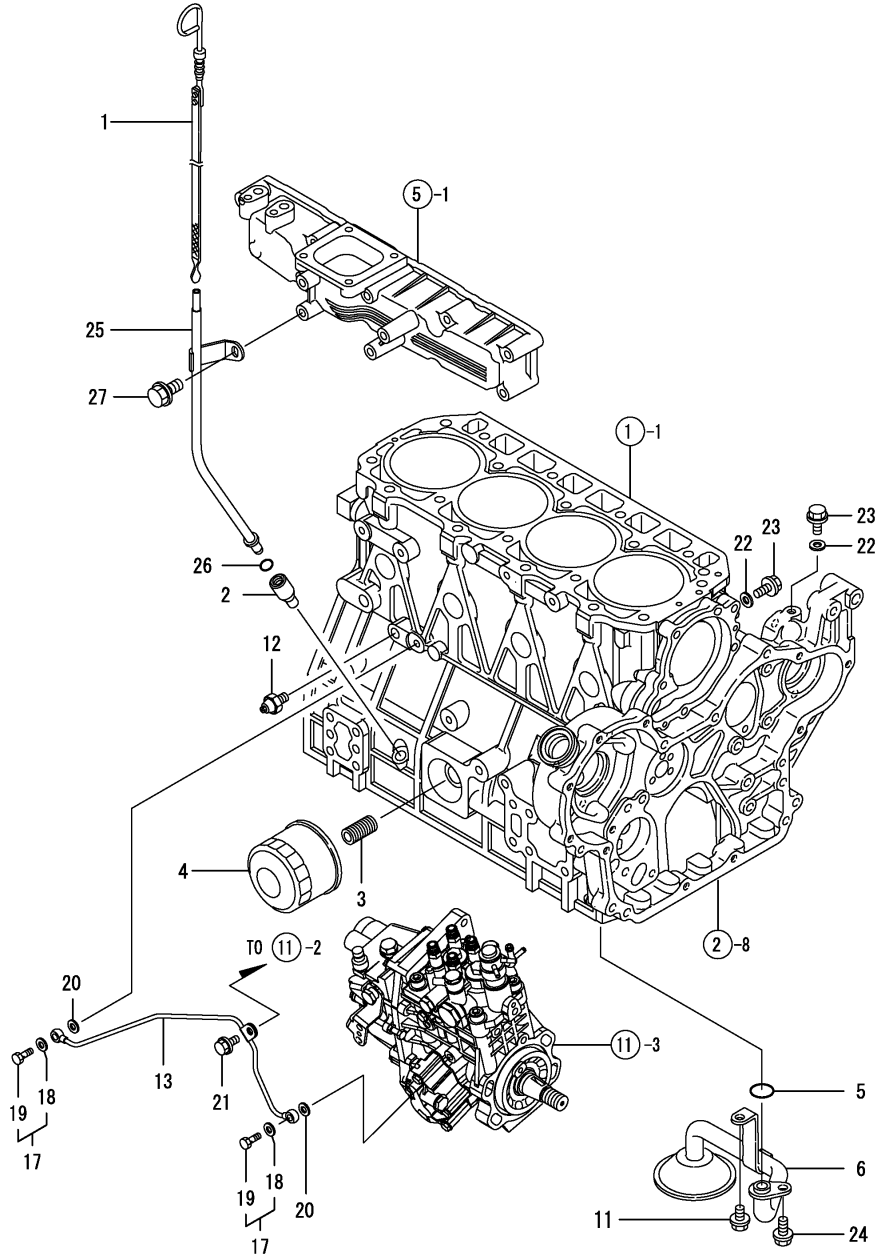
| No. | Lev. | Parts No. | Description | Q'ty | | | | | | I | R |
|------|------|---------------------------|----------------------|------|-----|-----|-----|-----|-----|---|-----|
| | | | | (A) | (B) | (C) | (D) | (E) | (F) | | |
| 1 | 1 | 129902-21000 | CRANKSHAFT ASSY | 1 | 1 | | | | | | |
| 4 | 2 | 129900-21200 | GEAR, CRANKSHAFT | 1 | 1 | | | | | | |
| 5 | 2 | 121850-21290 | PIN | 1 | 1 | | | | | | |
| 6 | 2 | 121850-21920 | PIN, M10X22 | 1 | 1 | | | | | | |
| 7 | 2 | 22512-070140 | KEY, 7X 14 | 1 | 1 | | | | | | |
| 8 | 1 | 129900-21640 | WASHER | 1 | | | | | | | |
| 9 | 1 | 129907-21660 | V-PULLEY, 130 | 1 | | | | | | | |
| 10 | 1 | 129960-21640 | WASHER | | 1 | | | | | | |
| 11 | 1 | 129916-21670 | PULLEY, DAMPER | | 1 | | | | | | |
| 12 | 1 | 24341-000530 | O-RING, 1AS53.0 | | 1 | | | | | | |
| 13 | 1 | 121850-21680 | BOLT | 1 | 1 | | | | | | |
| 14 | 1 | 121850-21130 | BOLT, FLYWHEEL | 6 | 6 | | | | | | |
| 15 | 1 | 129916-21570 | FLYWHEEL ASSY | 1 | 1 | | | | | | |
| 17 | 2 | 129900-21600 | GEAR, RING | 1 | 1 | | | | | | |
| 18 | 1 | 129906-22080 | PISTON ASSY | 4 | 4 | | | | | | |
| 18-1 | 1 | 129906-22090 | PISTON ASSY | 4 | 4 | | | | | F | 4 |
| | | (A=*2009.12) (B=*2009.12) | | | | | | | | | |
| 20 | 2 | 129906-22050 | RING SET, PISTON | 4 | 4 | | | | | | |
| 24 | 1 | 120130-22301 | PIN, PISTON | 4 | 4 | | | | | | |
| 25 | 1 | 22252-000300 | RING, 30 | 8 | 8 | | | | | | |
| 26 | 1 | 129900-23000 | ROD ASSY, CONNECTING | 4 | 4 | | | | | | |
| 30 | 2 | 129900-23910 | BEARING, PISTON PIN | 4 | 4 | | | | | | 1 |
| 31 | 2 | 129900-23200 | BOLT, CONNECTING ROD | 8 | 8 | | | | | | |
| 32 | 2 | 129900-23600 | BEARING, CRANK PIN | 4 | 4 | | | | | | |
| 34 | 1 | 129900-23610 | BEARING, 0.25 US | 4 | 4 | | | | | | 2 |
| 36 | 1 | 729906-22900 | PISTON ASSY, 0.25 OS | 4 | 4 | | | | | | 3 |
| 36-1 | 1 | 129906-22900 | PISTON ASSY, 0.25 OS | 4 | 4 | | | | | | R 3 |
| | | (A=EXXXXX) (B=EXXXXX) | | | | | | | | | |
| 36-2 | 1 | 129906-22910 | PISTON ASSY, 0.25 OS | 4 | 4 | | | | | | F 3 |
| | | (A=*2009.12) (B=*2009.12) | | | | | | | | | |
| 38 | 2 | 729906-22950 | RING SET, 0.25 OS | 4 | 4 | | | | | | 3 |
| 38-1 | 2 | 129916-22950 | RING SET, 0.25 OS | 4 | 4 | | | | | | R 3 |
| | | (A=EXXXXX) (B=EXXXXX) | | | | | | | | | |
| 42 | 1 | 129916-21450 | CASE, BEARING | 1 | | | | | | | |
| 43 | 1 | 129916-21460 | FLANGE | | 1 | | | | | | |
| 44 | 1 | 26106-080222 | BOLT, M8X 22 PLATED | 4 | 4 | | | | | | |

Remarks

- (1) Repair part.
- (2) Under-sized (U.S.=0.25) part.
- (3) Over-sized (O.S.=0.25) part.
- (4) Ref. No.18 is interchangeable with a set of Ref. No.18-1 and Fig.1 Ref. No.32-2.

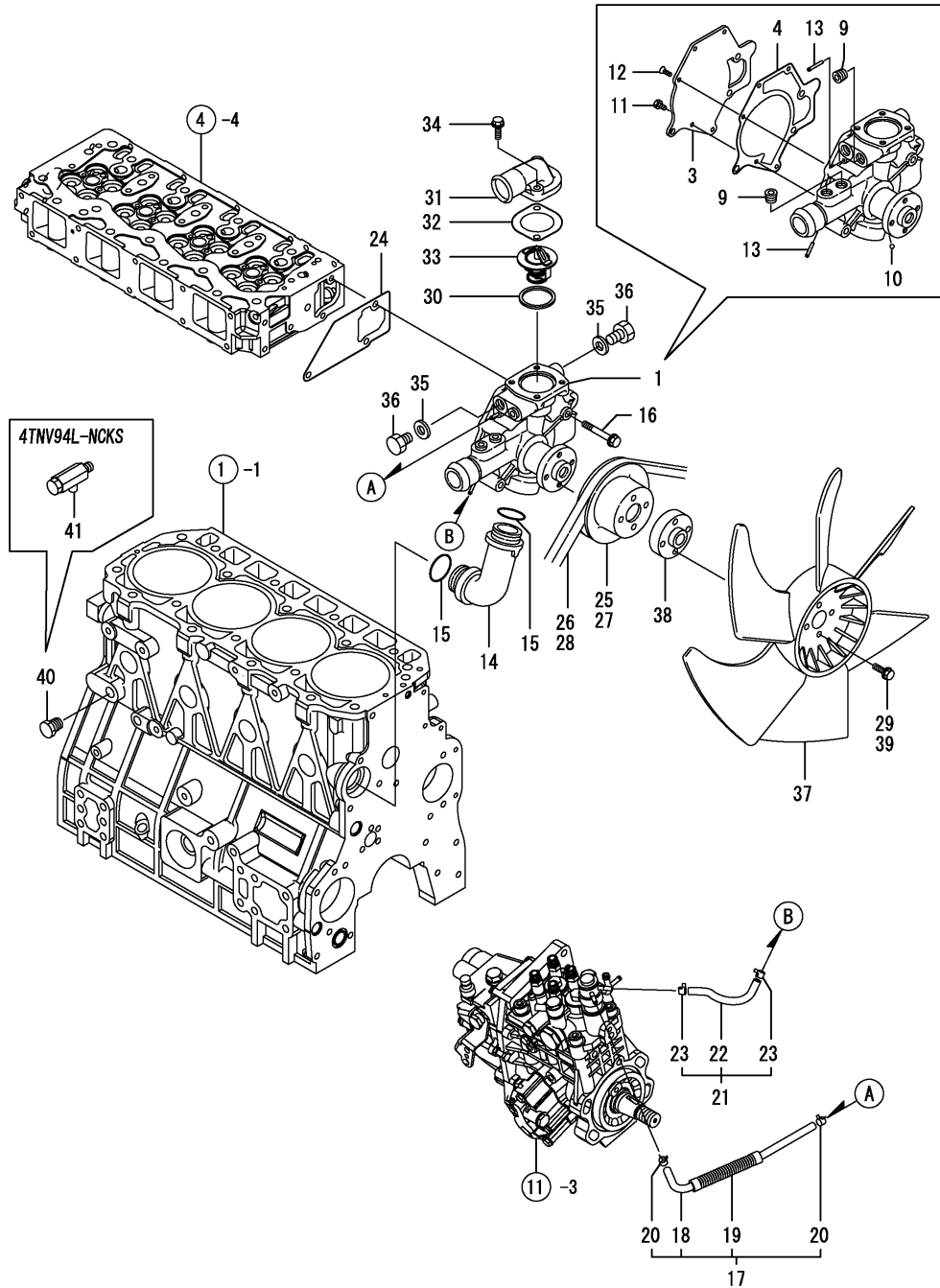
(A)=4TNV94L-NCKM
 (B)=4TNV94L-NCKS
 (C)=

(D)=
 (E)=
 (F)=



| No. | Lev. | Parts No. | Description | Q'ty | | | | | | I | R |
|-----|------|--------------|----------------------|------|-----|-----|-----|-----|-----|---|---|
| | | | | (A) | (B) | (C) | (D) | (E) | (F) | | |
| 1 | 1 | 129906-34810 | DIPSTICK, OIL | 1 | 1 | | | | | | |
| 2 | 1 | 119260-34810 | GUIDE, DIPSTICK | 1 | 1 | | | | | | |
| 3 | 1 | 119000-35140 | BOLT, FILTER | 1 | 1 | | | | | | |
| 4 | 1 | 119005-35151 | FILTER, D80X100L | 1 | 1 | | | | | | 1 |
| 5 | 1 | 129900-32030 | O-RING, P20 | 1 | 1 | | | | | | |
| 6 | 1 | 129930-35000 | PIPE ASSY, OIL INLET | 1 | 1 | | | | | | |
| 11 | 1 | 26106-080122 | BOLT, M8X 12 PLATED | 1 | 1 | | | | | | |
| 12 | 1 | 121252-39450 | SWITCH, 0.5KG | 1 | 1 | | | | | | |
| 13 | 1 | 129907-39060 | PIPE ASSY, OIL | 1 | 1 | | | | | | |
| 17 | 1 | 129005-59830 | BOLT ASSY, JOINT M8 | 2 | 2 | | | | | | |
| 18 | 2 | 22190-080002 | WASHER, SEAL 6 | 2 | 2 | | | | | | |
| 19 | 2 | 23857-030000 | BOLT, JOINT 3 | 2 | 2 | | | | | | |
| 20 | 1 | 22190-080002 | WASHER, SEAL 6 | 2 | 2 | | | | | | |
| 21 | 1 | 26106-080122 | BOLT, M8X 12 PLATED | 1 | 1 | | | | | | |
| 22 | 1 | 22190-080002 | WASHER, SEAL 6 | 2 | 2 | | | | | | |
| 23 | 1 | 26106-080122 | BOLT, M8X 12 PLATED | 2 | 2 | | | | | | |
| 24 | 1 | 26106-080122 | BOLT, M8X 12 PLATED | 1 | 1 | | | | | | |
| 25 | 1 | 129940-34840 | GUIDE, DIPSTICK | 1 | 1 | | | | | | |
| 26 | 1 | 24311-240100 | O-RING, 1AP10A | 1 | 1 | | | | | | |
| 27 | 1 | 26106-080162 | BOLT, M8X 16 PLATED | 1 | 1 | | | | | | |

Remarks
 (1) REPAIR PART.



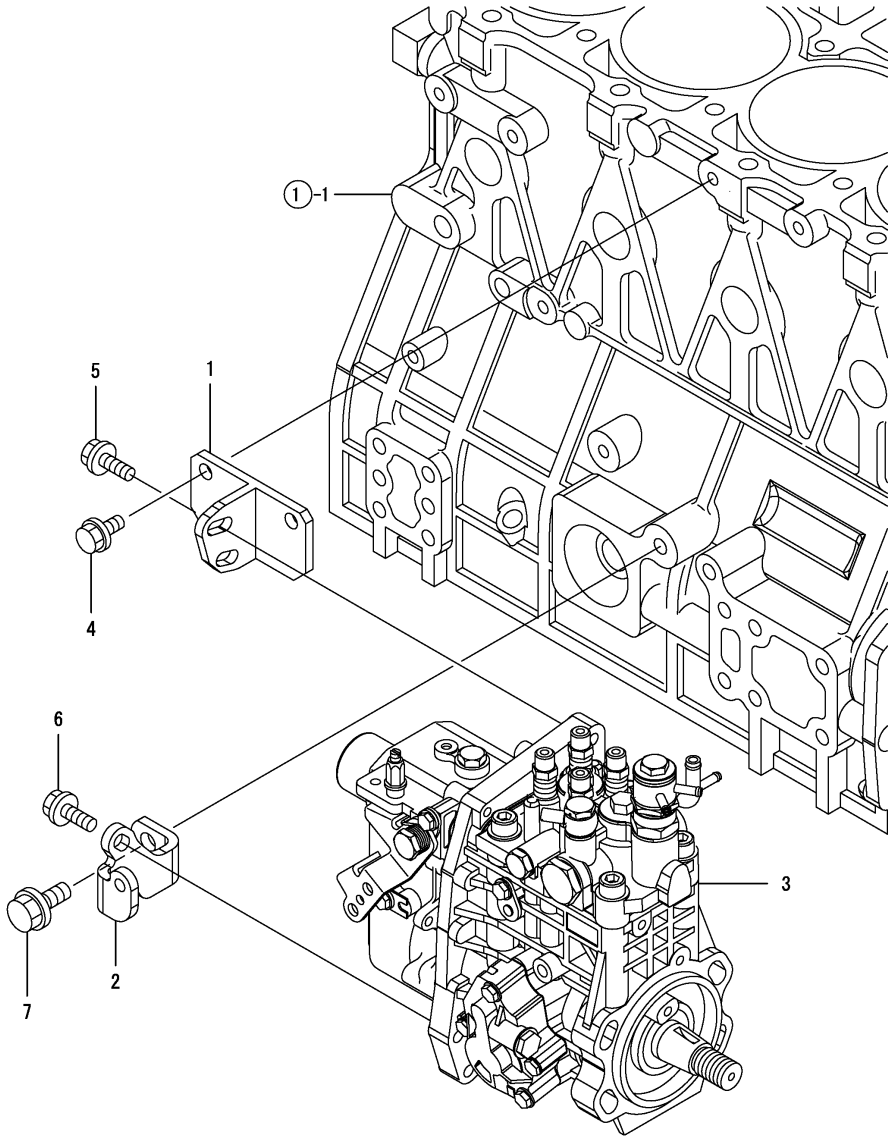
| No. | Lev. | Parts No. | Description | Q'ty | | | | | | I | R |
|------|------|--------------|---------------------|------|-----|-----|-----|-----|-----|---|---|
| | | | | (A) | (B) | (C) | (D) | (E) | (F) | | |
| 1 | 1 | 129907-42050 | PUMP ASSY, WATER | 1 | 1 | | | | | | |
| 3 | 2 | 129900-42161 | COVER | 1 | 1 | | | | | | |
| 4 | 2 | 129900-42170 | GASKET | 1 | 1 | | | | | | |
| 9 | 2 | 23876-030000 | PLUG, R03 | 3 | 3 | | | | | | |
| 10 | 2 | 24190-080001 | BALL, STEEL 1/4 | 1 | 1 | | | | | | |
| 11 | 2 | 26116-060162 | BOLT, M6X 16 PLATED | 2 | 2 | | | | | | |
| 12 | 2 | 26577-060142 | SCREW M 6X 14 | 3 | 3 | | | | | | |
| 13 | 2 | 119802-49113 | JOINT, PIPE | 2 | 2 | | | | | | |
| 14 | 1 | 129900-42070 | PIPE, WATER | 1 | 1 | | | | | | |
| 15 | 1 | 129900-42140 | O-RING, P36 | 2 | 2 | | | | | | |
| 16 | 1 | 26106-080552 | BOLT, M8X 55 PLATED | 3 | 3 | | | | | | |
| 17 | 1 | 129907-49610 | HOSE ASSY, WATER | 1 | 1 | | | | | | |
| 18 | 2 | 129907-49710 | PIPE ASSY, WATER | 1 | 1 | | | | | | |
| 19 | 2 | 129907-49750 | TUBE, CORRUGATED | 1 | 1 | | | | | | |
| 20 | 2 | 124722-59050 | CLIP, HOSE 9 | 2 | 2 | | | | | | |
| 21 | 1 | 129962-49620 | HOSE ASSY, WATER | 1 | 1 | | | | | | |
| 22 | 2 | 129962-49720 | PIPE ASSY, WATER | 1 | 1 | | | | | | |
| 23 | 2 | 124722-59050 | CLIP, HOSE 9 | 2 | 2 | | | | | | |
| 24 | 1 | 129900-42061 | GASKET, WATER PUMP | 1 | 1 | | | | | | |
| 25 | 1 | 129900-42461 | V-PULLEY | 1 | | | | | | | |
| 26 | 1 | 25132-004600 | V-BELT, A46 | 1 | | | | | | | |
| 27 | 1 | 129930-42400 | V-PULLEY | | 1 | | | | | | |
| 28 | 1 | 25132-004700 | V-BELT, A47 | | 1 | | | | | | |
| 29 | 1 | 26106-080102 | BOLT, M8X 10 PLATED | | 4 | | | | | | |
| 30 | 1 | 121850-49550 | GASKET, THERMOSTAT | 1 | 1 | | | | | | |
| 31 | 1 | 129900-49551 | COVER, THERMOSTAT | 1 | 1 | | | | | | |
| 32 | 1 | 129900-49560 | GASKET | 1 | 1 | | | | | | |
| 33 | 1 | 121850-49800 | THERMOSTAT, 82 | 1 | 1 | | | | | | |
| 34 | 1 | 26106-080252 | BOLT, M8X 25 PLATED | 2 | 2 | | | | | | |
| 35 | 1 | 124465-44950 | GASKET, 16 | 2 | 2 | | | | | | |
| 36 | 1 | 121450-42450 | PLUG, M16 | 2 | 2 | | | | | | |
| 37 | 1 | 129916-44740 | FAN, COOLING D=430 | 1 | | | | | | | |
| 38-1 | 1 | 129935-44710 | SPACER, FAN | 1 | | | | | | | |
| 39-1 | 1 | 26106-080402 | BOLT, M8X 40 PLATED | 4 | | | | | | | |
| 40 | 1 | 171056-49120 | PLUG, DRAIN | 1 | | | | | | | |
| 41 | 1 | 119620-49290 | COCK ASSY, 1/4 | | 1 | | | | | | |

(A)=4TNV94L-NCKM
 (B)=4TNV94L-NCKS
 (C)=

(D)=
 (E)=
 (F)=

発行No. 000Y00V9130-1
 更新年月: 2005.02
 REVISED: Feb., 2005

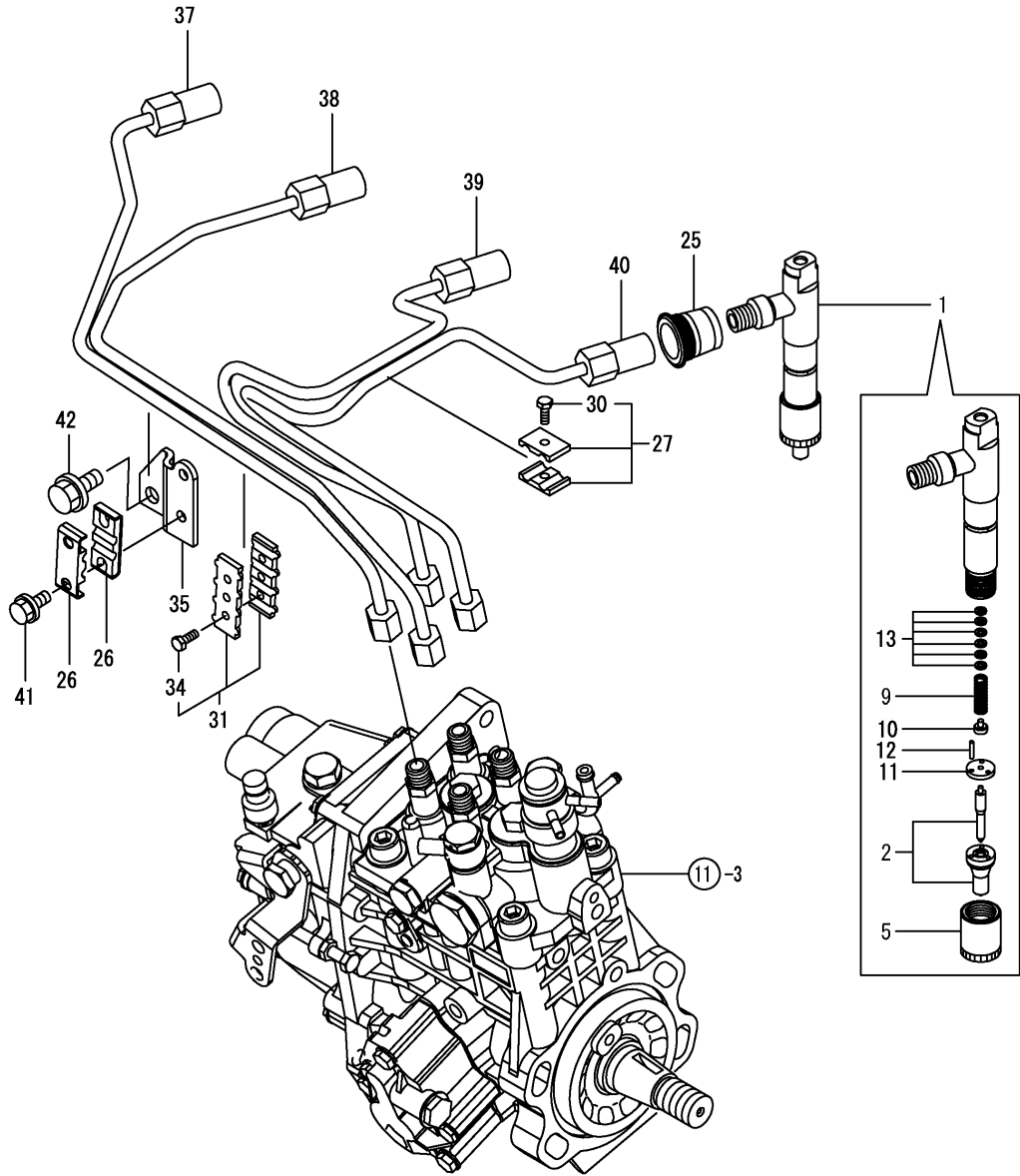
| No. | Lev. | Parts No. | Description | Q'ty | | | | | | I | R |
|-----|------|--------------|----------------------|------|-----|-----|-----|-----|-----|---|---|
| | | | | (A) | (B) | (C) | (D) | (E) | (F) | | |
| 1 | 1 | 129907-01950 | RETAINER | 1 | 1 | | | | | | |
| 2 | 1 | 129907-01960 | RETAINER | 1 | 1 | | | | | | |
| 3 | 1 | 729906-51340 | PUMP ASSY, INJECTION | 1 | 1 | | | | | | 1 |
| 4 | 1 | 26106-080162 | BOLT, M8X 16 PLATED | 2 | 2 | | | | | | |
| 5 | 1 | 26106-080222 | BOLT, M8X 22 PLATED | 2 | 2 | | | | | | |
| 6 | 1 | 26106-080222 | BOLT, M8X 22 PLATED | 1 | 1 | | | | | | |
| 7 | 1 | 26106-100202 | BOLT, M10X 20 PLATED | 1 | 1 | | | | | | |



Remarks
 (1) REFER TO FI.16 & 17 FOR INNER PARTS.

(A)=4TNV94L-NCKM
 (B)=4TNV94L-NCKS
 (C)=

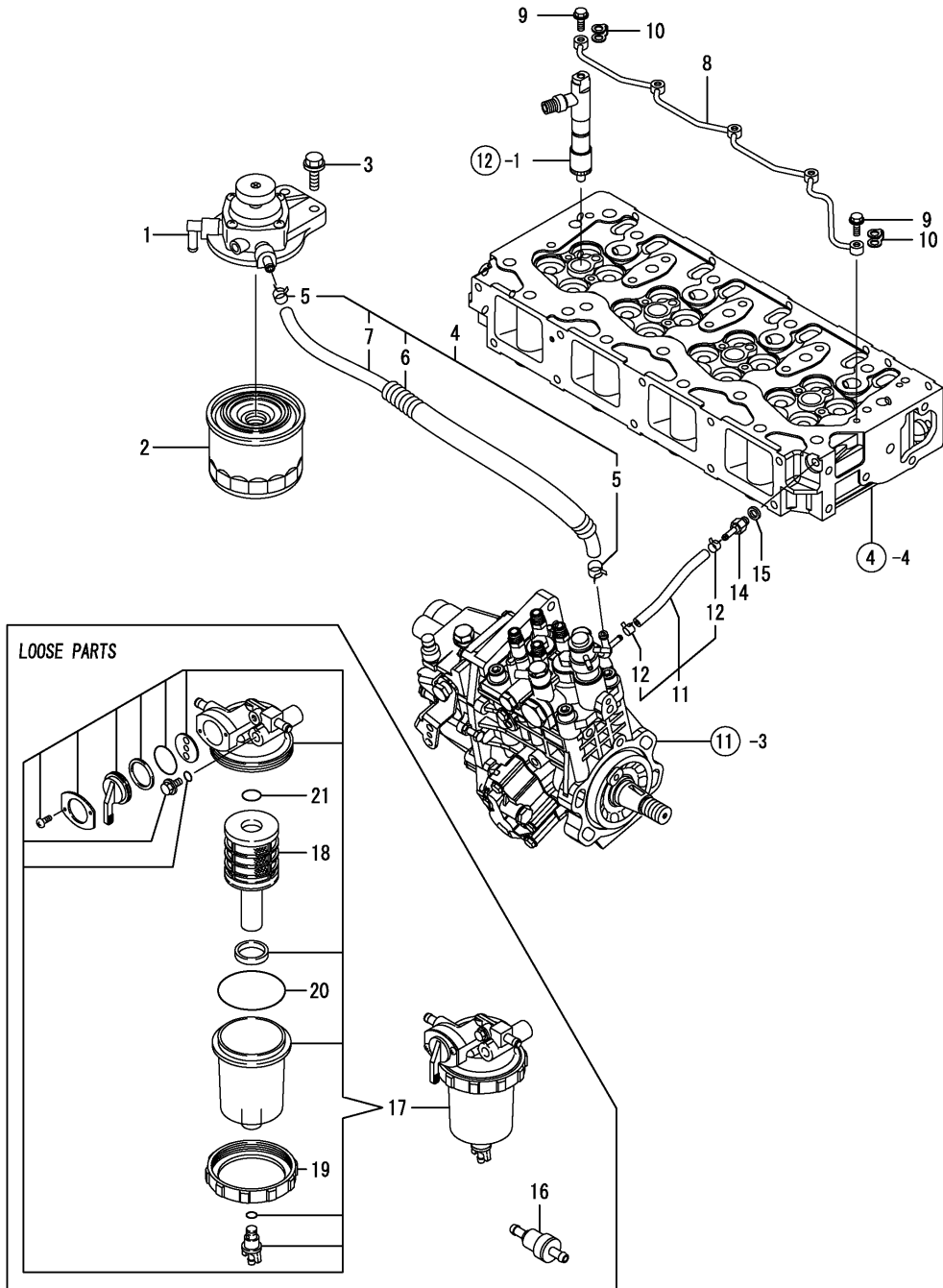
(D)=
 (E)=
 (F)=



| No. | Lev. | Parts No. | Description | Q'ty | | | | | | I | R |
|-----|------|--------------|----------------------|------|-----|-----|-----|-----|-----|---|---|
| | | | | (A) | (B) | (C) | (D) | (E) | (F) | | |
| 1 | 1 | 729906-53100 | VALVE ASSY,INJECTION | 4 | 4 | | | | | | |
| 2 | 2 | 129906-53000 | VALVE ASSY,INJECTION | 4 | 4 | | | | | | |
| 5 | 2 | 114250-53080 | NUT, NOZZLE D16.95 | 4 | 4 | | | | | | |
| 9 | 2 | 114250-53120 | SPRING, NOZZLE | 4 | 4 | | | | | | |
| 10 | 2 | 114250-53130 | SEAT, SPRING | 4 | 4 | | | | | | |
| 11 | 2 | 114250-53140 | PLATE | 4 | 4 | | | | | | |
| 12 | 2 | 114250-53210 | PIN | 8 | 8 | | | | | | |
| 13 | 2 | 114250-53400 | SHIM SET | 4 | 4 | | | | | | |
| 25 | 1 | 123907-11601 | SEAL | 4 | 4 | | | | | | |
| 26 | 1 | 122780-59100 | RETAINER | 2 | 2 | | | | | | |
| 27 | 1 | 119305-59120 | RETAINER, PIPE | 1 | 1 | | | | | | |
| 30 | 2 | 129150-59131 | BOLT, M4X14 | 1 | 1 | | | | | | |
| 31 | 1 | 129550-59120 | RETAINER, PIPE | 1 | 1 | | | | | | |
| 34 | 2 | 129150-59131 | BOLT, M4X14 | 2 | 2 | | | | | | |
| 35 | 1 | 129907-59710 | SUPPORT | 1 | 1 | | | | | | |
| 37 | 1 | 129907-59810 | PIPE ASSY, INJECTION | 1 | 1 | | | | | | |
| 38 | 1 | 129906-59820 | PIPE ASSY, INJECTION | 1 | 1 | | | | | | |
| 39 | 1 | 129906-59830 | PIPE ASSY, INJECTION | 1 | 1 | | | | | | |
| 40 | 1 | 129906-59840 | PIPE ASSY, INJECTION | 1 | 1 | | | | | | |
| 41 | 1 | 26106-060162 | BOLT, M6X 16 PLATED | 2 | 2 | | | | | | |
| 42 | 1 | 26106-080182 | BOLT, M8X 18 PLATED | 1 | 1 | | | | | | |

(A)=4TNV94L-NCKM
 (B)=4TNV94L-NCKS
 (C)=

(D)=
 (E)=
 (F)=

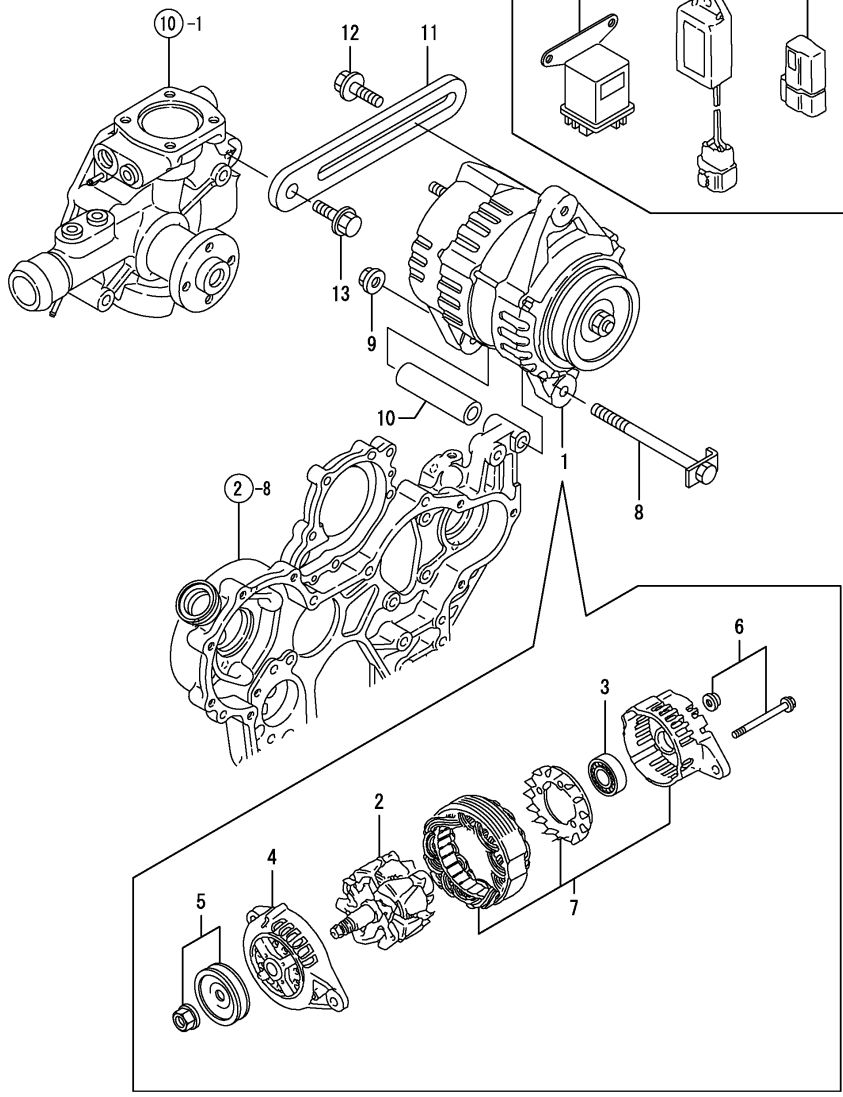
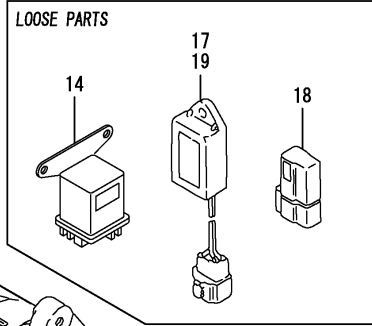


| No. | Lev. | Parts No. | Description | Q'ty | | | | | | I | R |
|-----|------|--------------|---------------------|------|-----|-----|-----|-----|-----|---|---|
| | | | | (A) | (B) | (C) | (D) | (E) | (F) | | |
| 1 | 1 | 119802-55610 | BRACKET, FILTER | 1 | 1 | | | | | | |
| 2 | 1 | 119802-55800 | FILTER, FUEL | 1 | 1 | | | | | | |
| 3 | 1 | 26106-080302 | BOLT, M8X 30 PLATED | 2 | 2 | | | | | | |
| 4 | 1 | 129457-59010 | PIPE ASSY, FUEL | 1 | 1 | | | | | | |
| 5 | 2 | 124766-59050 | CLIP, HOSE 12 | 2 | 2 | | | | | | |
| 6 | 2 | 129957-59120 | TUBE, CORRUGATED | 1 | 1 | | | | | | |
| 7 | 2 | 105025-59750 | PIPE, FUEL | 1 | 1 | | | | | | |
| 8 | 1 | 129907-59140 | PIPE ASSY, RETURN | 1 | 1 | | | | | | |
| 9 | 1 | 123907-59540 | BOLT, PIPE JOINT M6 | 5 | 5 | | | | | | |
| 10 | 1 | 123907-59550 | GASKET | 5 | 5 | | | | | | |
| 11 | 1 | 129486-59551 | PIPE ASSY, RETURN | 1 | 1 | | | | | | |
| 12 | 2 | 124722-59050 | CLIP, HOSE 9 | 2 | 2 | | | | | | |
| 14 | 1 | 123907-59560 | JOINT | 1 | 1 | | | | | | |
| 15 | 1 | 22190-080002 | WASHER, SEAL 6 | 1 | 1 | | | | | | |
| 16 | 1 | 119802-59950 | VALVE, CHECK | 1 | 1 | | | | | | |
| 17 | 1 | 119802-55700 | SEPARATOR ASSY | 1 | 1 | | | | | | |
| 18 | 2 | 119802-55710 | ELEMENT | 1 | 1 | | | | | | |
| 19 | 2 | 129100-55690 | RING, RETAINING | 1 | 1 | | | | | | |
| 20 | 2 | 24321-000650 | O-RING, 1AG65.0 | 1 | 1 | | | | | | |
| 21 | 2 | 24311-000160 | O-RING, 1AP16.0 | 1 | 1 | | | | | | |

(A)=4TNV94L-NCKM
 (B)=4TNV94L-NCKS
 (C)=

(D)=
 (E)=
 (F)=

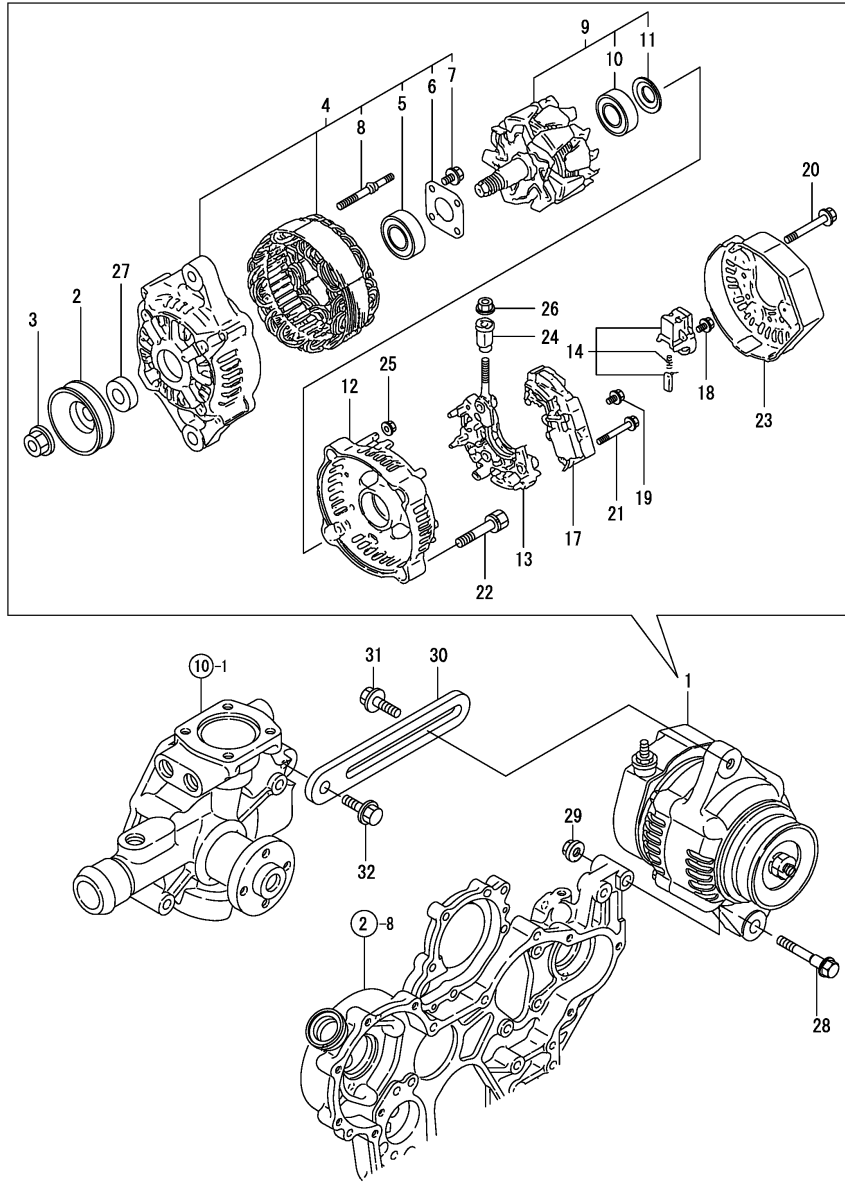
| No. | Lev. | Parts No. | Description | Q'ty | | | | | | I | R |
|-----|------|--------------|----------------------|------|-----|-----|-----|-----|-----|---|---|
| | | | | (A) | (B) | (C) | (D) | (E) | (F) | | |
| 1 | 1 | 119836-77201 | GENERATOR (AC) | 1 | 1 | | | | | | |
| 2 | 2 | 129612-77700 | ROTOR ASSY | 1 | 1 | | | | | | |
| 3 | 2 | 129612-77710 | BEARING, BALL | 1 | 1 | | | | | | |
| 4 | 2 | 129612-77730 | BRACKET ASSY, FILTER | 1 | 1 | | | | | | |
| 5 | 2 | 129612-77740 | PULLEY | 1 | 1 | | | | | | |
| 6 | 2 | 129612-77750 | SCREW KIT | 1 | 1 | | | | | | |
| 7 | 2 | 119836-77920 | BRACKET ASSY | 1 | 1 | | | | | | |
| 8 | 1 | 129136-77251 | BOLT, M8X110 | 1 | 1 | | | | | | |
| 9 | 1 | 129612-77260 | NUT, ALTERNATOR | 1 | 1 | | | | | | |
| 10 | 1 | 129150-77340 | SPACER | 1 | 1 | | | | | | |
| 11 | 1 | 129900-77330 | ADJUSTER | 1 | 1 | | | | | | |
| 12 | 1 | 119810-77340 | BOLT, ADJUSTER | 1 | 1 | | | | | | |
| 13 | 1 | 26014-080252 | BOLT, M8X 25 | 1 | 1 | | | | | | |
| 14 | 1 | 119650-77910 | RELAY ASSY, GLOW | 1 | 1 | | | | | | |
| 17 | 1 | 129211-77920 | TIMER | 1 | 1 | | | | | | |
| 18 | 1 | 119643-66900 | DIODE | 1 | 1 | | | | | | |
| 19 | 1 | 128300-77920 | TIMER | 1 | 1 | | | | | | |



Remarks
 *This item is applicable to
 [(A)=EZZZZ-1] or previous machines.
 Refer to Fig.18.

(A)=4TNV94L-NCKM
 (B)=4TNV94L-NCKS
 (C)=

(D)=
 (E)=
 (F)=

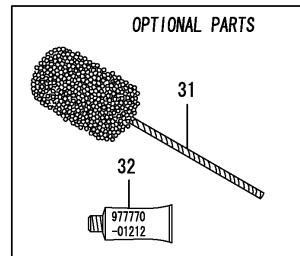
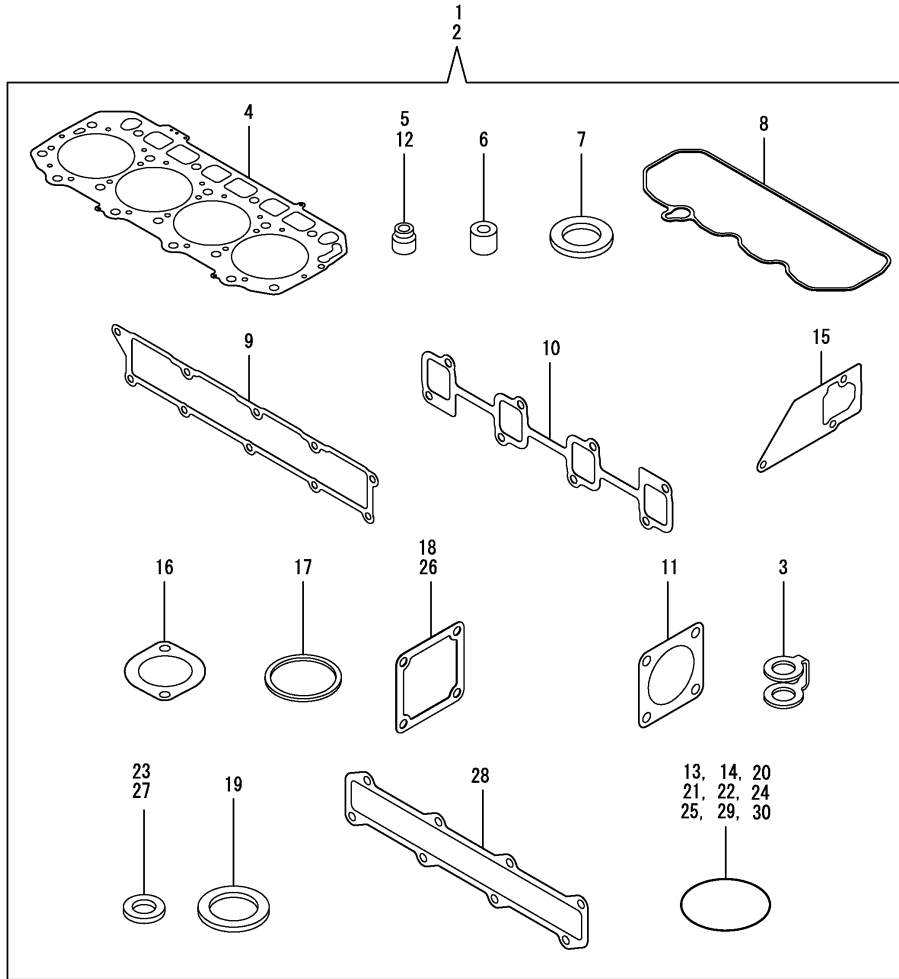


| No. | Lev. | Parts No. | Description | Q'ty | | | | | | I | R |
|-----|------|--------------|--------------------|------|-----|-----|-----|-----|-----|---|---|
| | | | | (A) | (B) | (C) | (D) | (E) | (F) | | |
| 1 | 1 | 129961-77200 | GENERATOR, 12V-55A | 1 | 1 | | | | | | |
| 2 | 2 | 119620-77461 | PULLEY | 1 | 1 | | | | | | |
| 3 | 2 | 119620-77471 | NUT | 1 | 1 | | | | | | |
| 4 | 2 | 129961-77421 | FRAME ASSY | 1 | 1 | | | | | | |
| 5 | 3 | 119620-79200 | BALL BEARING | 1 | 1 | | | | | | |
| 6 | 3 | 119620-79210 | PLATE, RETAINER | 1 | 1 | | | | | | |
| 7 | 3 | 119620-79220 | SCREW | 4 | 4 | | | | | | |
| 8 | 3 | 119620-79230 | STUD | 2 | 2 | | | | | | |
| 9 | 2 | 129052-77380 | ROTOR ASSY | 1 | 1 | | | | | | |
| 10 | 3 | 123501-79240 | BEARING, BALL | 1 | 1 | | | | | | |
| 11 | 3 | 119620-79250 | COVER, BEARING | 1 | 1 | | | | | | |
| 12 | 2 | 128401-77440 | FRAME | 1 | 1 | | | | | | |
| 13 | 2 | 129052-79260 | HOLDER | 1 | 1 | | | | | | |
| 14 | 2 | 129052-79270 | HOLDER, BRUSH | 1 | 1 | | | | | | |
| 17 | 2 | 119620-77710 | REGULATOR ASSY | 1 | 1 | | | | | | |
| 18 | 2 | 119620-79290 | SCREW | 6 | 6 | | | | | | |
| 19 | 2 | 119620-79300 | SCREW | 1 | 1 | | | | | | |
| 20 | 2 | 119620-79310 | BOLT | 3 | 3 | | | | | | |
| 21 | 2 | 119620-79320 | SCREW | 2 | 2 | | | | | | |
| 22 | 2 | 119620-79330 | BOLT | 2 | 2 | | | | | | |
| 23 | 2 | 128401-77450 | COVER | 1 | 1 | | | | | | |
| 24 | 2 | 119620-79340 | BUSH, INSULATION | 1 | 1 | | | | | | |
| 25 | 2 | 119620-79350 | NUT | 2 | 2 | | | | | | |
| 26 | 2 | X9490561001 | NUT | 1 | 1 | | | | | | |
| 27 | 2 | 119620-77490 | COLLAR | 1 | 1 | | | | | | |
| 28 | 1 | 129960-77250 | BOLT, GENERATOR | 1 | 1 | | | | | | |
| 29 | 1 | 129612-77260 | NUT, ALTERNATOR | 1 | 1 | | | | | | |
| 30 | 1 | 129900-77330 | ADJUSTER | 1 | 1 | | | | | | |
| 31 | 1 | 119810-77340 | BOLT, ADJUSTER | 1 | 1 | | | | | | |
| 32 | 1 | 26014-080252 | BOLT, M8X 25 | 1 | 1 | | | | | | |

Remarks
 *This item is applicable to
 [(A)=EZZZZ]or following machines.
 Refer to Fig.14.

(A)=4TNV94L-NCKM
(B)=4TNV94L-NCKS
(C)=

(D)=
(E)=
(F)=



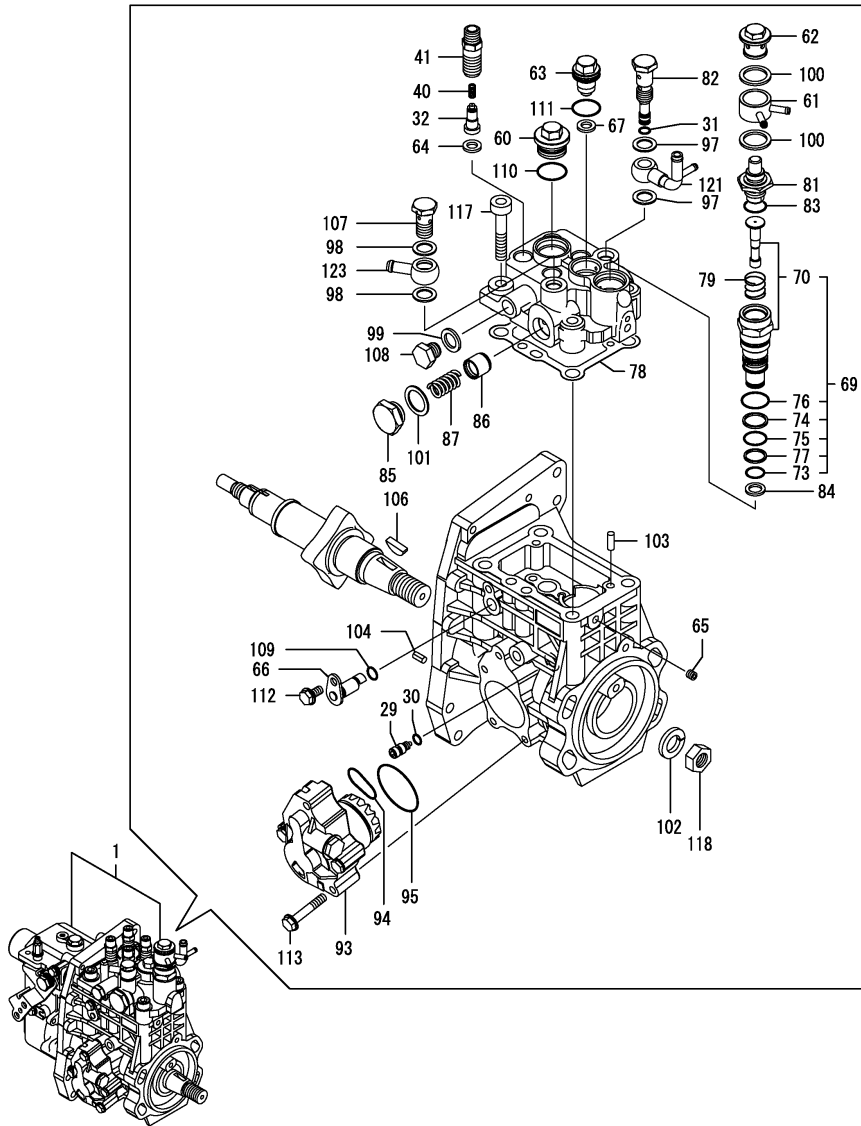
| No. | Lev. | Parts No. | Description | Q'ty | | | | | | I | R |
|---------------------------|------|--------------|--------------------|------|-----|-----|-----|-----|-----|---|-----|
| | | | | (A) | (B) | (C) | (D) | (E) | (F) | | |
| 1 | 1 | 729906-92650 | GASKET SET | 1 | | | | | | | 1 |
| 1-1 | 1 | 129906-92630 | GASKET SET | 1 | | | | | | | N 1 |
| (A=*2009.12) | | | | | | | | | | | |
| 2 | 1 | 729906-92660 | GASKET SET | | 1 | | | | | | 1 |
| 2-1 | 1 | 129906-92640 | GASKET SET | | 1 | | | | | | N 1 |
| (B=*2009.12) | | | | | | | | | | | |
| 3 | 2 | 123907-59550 | GASKET | 5 | 5 | | | | | | |
| 4 | 2 | 129906-01340 | GASKET, HEAD | 1 | 1 | | | | | | |
| 4-1 | 2 | 129906-01350 | GASKET, HEAD | 1 | 1 | | | | | | N |
| (A=*2009.12) (B=*2009.12) | | | | | | | | | | | |
| 5 | 2 | 124160-11340 | SEAL, VALVE STEM | 8 | 8 | | | | | | |
| 6 | 2 | 119802-11870 | PROTECTOR, NOZZLE | 4 | 4 | | | | | | |
| 7 | 2 | 119625-11880 | SEAT, NOZZLE | 4 | 4 | | | | | | |
| 8 | 2 | 129907-11310 | GASKET, BONNET | 1 | 1 | | | | | | |
| 9 | 2 | 129907-12110 | GASKET, MANIFOLD | 1 | 1 | | | | | | |
| 10 | 2 | 129900-13251 | GASKET | | 1 | | | | | | |
| 11 | 2 | 128300-13230 | GASKET, SILENCER | 1 | 1 | | | | | | |
| 12 | 2 | 124950-11340 | SEAL, VALVE STEM | 8 | 8 | | | | | | |
| 13 | 2 | 129900-32030 | O-RING, P20 | 2 | 2 | | | | | | |
| 14 | 2 | 129900-32040 | O-RING, P14 | 1 | 1 | | | | | | |
| 15 | 2 | 129900-42061 | GASKET, WATER PUMP | 1 | 1 | | | | | | |
| 16 | 2 | 129900-49560 | GASKET | 1 | 1 | | | | | | |
| 17 | 2 | 121850-49550 | GASKET, THERMOSTAT | 1 | 1 | | | | | | |
| 18 | 2 | 121850-77021 | GASKET | 1 | 1 | | | | | | |
| 19 | 2 | 124465-44950 | GASKET, 16 | 2 | 2 | | | | | | |
| 20 | 2 | 24311-000070 | O-RING, 1AP7.0 | 1 | 1 | | | | | | |
| 21 | 2 | 24311-000120 | O-RING, 1AP12.0 | 8 | 8 | | | | | | |
| 22 | 2 | 24311-000320 | O-RING, 1AP32.0 | 2 | 2 | | | | | | |
| 23 | 2 | 22190-080002 | WASHER, SEAL 6 | 7 | 7 | | | | | | |
| 24 | 2 | 24341-000530 | O-RING, 1AS53.0 | | 1 | | | | | | |
| 25 | 2 | 24351-030750 | O-RING, 1A3075 | 1 | 1 | | | | | | |
| 26 | 2 | 119129-77020 | GASKET | 1 | 1 | | | | | | |
| 27 | 2 | 22190-220002 | WASHER, SEAL 22 | 1 | 1 | | | | | | |
| 28 | 2 | 129900-13150 | GASKET | 1 | | | | | | | |
| 29 | 2 | 24311-240100 | O-RING, 1AP10A | 1 | 1 | | | | | | |
| 30 | 2 | 129900-42140 | O-RING, P36 | 2 | 2 | | | | | | |
| 31 | 1 | 129400-92440 | HONE | 1 | 1 | | | | | | 1 |
| 32 | 1 | 977770-01212 | GASKET, LIQUID | 1 | 1 | | | | | | 1 |

Remarks
(1) OPTIONAL PART.

(A)=4TNV94L-NCKM
(B)=4TNV94L-NCKS
(C)=

(D)=
(E)=
(F)=

発行No. 000Y00V9130-1
更新年月: 2005.02
REVISED: Feb., 2005



| No. | Lev. | Parts No. | Description | Q'ty | | | | | | I | R |
|-----|------|--------------|----------------------|------|-----|-----|-----|-----|-----|---|---|
| | | | | (A) | (B) | (C) | (D) | (E) | (F) | | |
| 1 | 1 | 729906-51340 | PUMP ASSY, INJECTION | 1 | 1 | | | | | | 1 |
| 29 | 2 | 158600-51270 | STOPPER, TAPPET | 1 | 1 | | | | | | |
| 30 | 2 | 158563-51281 | O-RING, 4D S6 | 1 | 1 | | | | | | |
| 31 | 2 | 158563-51281 | O-RING, 4D S6 | 1 | 1 | | | | | | |
| 32 | 2 | 158560-51300 | VALVE ASSY, DELIVERY | 4 | 4 | | | | | | |
| 40 | 2 | 158563-51330 | SPRING, DELIVERY | 4 | 4 | | | | | | |
| 41 | 2 | 158560-51340 | HOLDER, DELIVERY | 4 | 4 | | | | | | |
| 60 | 2 | 158601-51550 | PLUG | 1 | 1 | | | | | | |
| 61 | 2 | 158553-51551 | JOINT | 1 | 1 | | | | | | |
| 62 | 2 | 158601-51570 | PLUG | 1 | 1 | | | | | | |
| 63 | 2 | 129906-51560 | PLUG, BARREL | 1 | 1 | | | | | | |
| 64 | 2 | 158552-51570 | GASKET | 4 | 4 | | | | | | |
| 65 | 2 | 158557-51570 | PLUG | 1 | 1 | | | | | | |
| 66 | 2 | 158552-51580 | LIFTER | 1 | 1 | | | | | | |
| 67 | 2 | 129906-51580 | GASKET | 1 | 1 | | | | | | |
| 69 | 2 | 119802-51590 | TIMER SET | 1 | 1 | | | | | | |
| 70 | 3 | 119802-51600 | TIMER ASSY | 1 | 1 | | | | | | |
| 73 | 3 | 158553-51670 | O-RING, 1011 | 1 | 1 | | | | | | |
| 74 | 3 | 119802-51680 | RING, BACK UP | 1 | 1 | | | | | | |
| 75 | 3 | 119802-51690 | O-RING | 1 | 1 | | | | | | |
| 76 | 3 | 24356-010200 | O-RING, 4D1020 | 1 | 1 | | | | | | |
| 77 | 3 | 24372-000150 | RING, BACK UP T2P15 | 1 | 1 | | | | | | |
| 78 | 2 | 158560-51600 | GASKET | 1 | 1 | | | | | | |
| 79 | 2 | 158553-51630 | SPRING, TIMER | 1 | 1 | | | | | | |
| 81 | 2 | 158553-51640 | ELEMENT | 1 | 1 | | | | | | |
| 82 | 2 | 158601-51650 | JOINT, OVER FLOW | 1 | 1 | | | | | | |
| 83 | 2 | 158553-51660 | O-RING, P14 | 1 | 1 | | | | | | |
| 84 | 2 | 158553-51680 | GASKET | 1 | 1 | | | | | | |
| 85 | 2 | 158601-51790 | PLUG | 1 | 1 | | | | | | |
| 86 | 2 | 158601-51770 | PISTON | 1 | 1 | | | | | | |
| 87 | 2 | 158552-51780 | SPRING | 1 | 1 | | | | | | |
| 93 | 2 | 158552-52100 | PUMP ASSY, FUEL FEED | 1 | 1 | | | | | | |
| 94 | 2 | 158552-52310 | O-RING | 1 | 1 | | | | | | |
| 95 | 2 | 158552-52400 | O-RING, 4E S42 | 1 | 1 | | | | | | |
| 97 | 2 | 22190-120002 | WASHER, SEAL 12 | 2 | 2 | | | | | | |
| 98 | 2 | 22190-120002 | WASHER, SEAL 12 | 2 | 2 | | | | | | |
| 99 | 2 | 22190-120002 | WASHER, SEAL 12 | 1 | 1 | | | | | | |
| 100 | 2 | 22190-180002 | WASHER, SEAL 18 | 2 | 2 | | | | | | |
| 101 | 2 | 22190-180002 | WASHER, SEAL 18 | 1 | 1 | | | | | | |
| 102 | 2 | 22217-180000 | WASHER, SPRING 18 | 1 | 1 | | | | | | |
| 103 | 2 | 22312-050140 | PIN, PARALLEL M5X14 | 2 | 2 | | | | | | |
| 104 | 2 | 22351-050010 | PIN, SPRING 5.0X10 | 2 | 2 | | | | | | |
| 106 | 2 | 144626-51090 | KEY, 5X19 | 1 | 1 | | | | | | |
| 107 | 2 | 23857-060000 | BOLT, JOINT 6 | 1 | 1 | | | | | | |
| 108 | 2 | 23887-120002 | PLUG, 12 | 1 | 1 | | | | | | |
| 109 | 2 | 24311-000070 | O-RING, 1AP7.0 | 1 | 1 | | | | | | |
| 110 | 2 | 24356-010200 | O-RING, 4D1020 | 1 | 1 | | | | | | |
| 111 | 2 | 24356-020210 | O-RING, 4D2021 | 1 | 1 | | | | | | |
| 112 | 2 | 26106-060102 | BOLT, M6X 10 PLATED | 1 | 1 | | | | | | |
| 113 | 2 | 26106-060352 | BOLT, M6X 35 PLATED | 4 | 4 | | | | | | |
| 117 | 2 | 26450-100452 | BOLT, M10X 45 | 4 | 4 | | | | | | |

Remarks
(1) GOVERNOR ASSY(FIG.17) IS INCORPORATED IN THIS FOP.CMP (REF.NO.1).

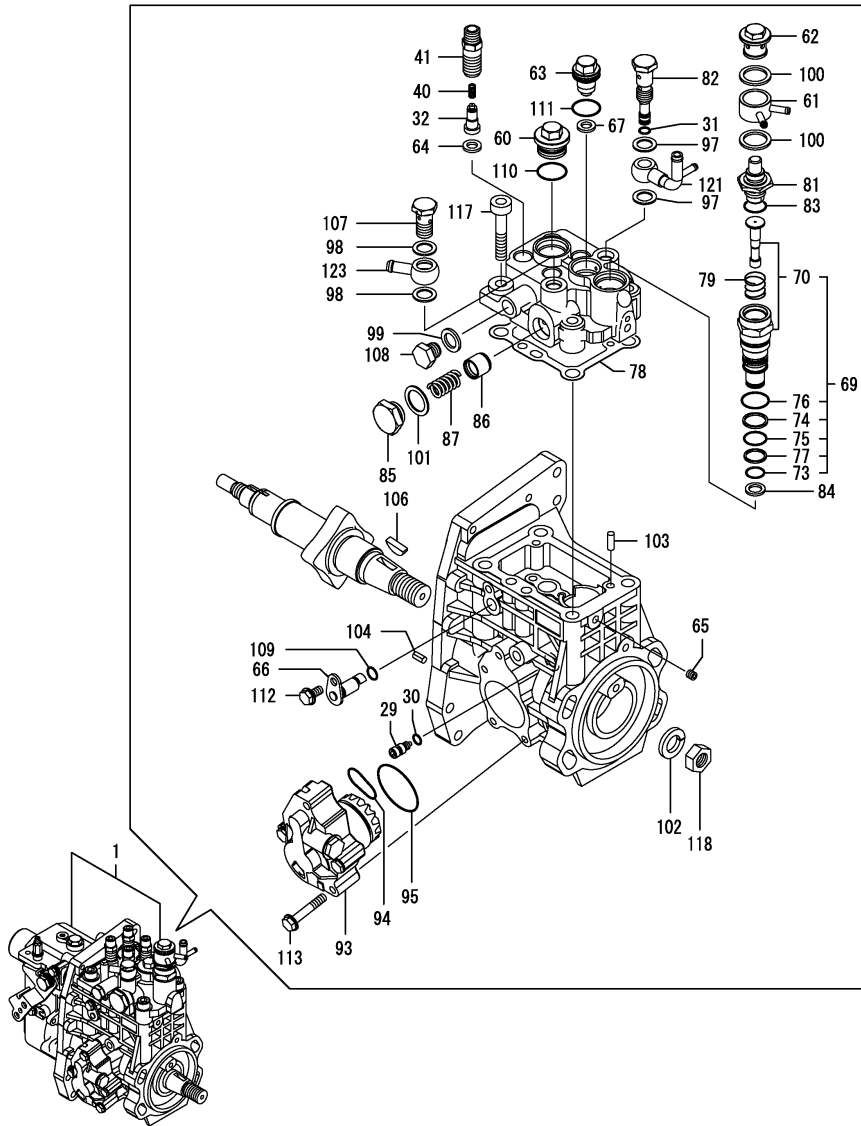
GEMAPE PUMP(INNER PARTS)

0CV10-M91300 Fig.16

(A)=4TNV94L-NCKM
(B)=4TNV94L-NCKS
(C)=

(D)=
(E)=
(F)=

発行No. 000Y00V9130-1
更新年月: 2005.02
REVISED: Feb., 2005

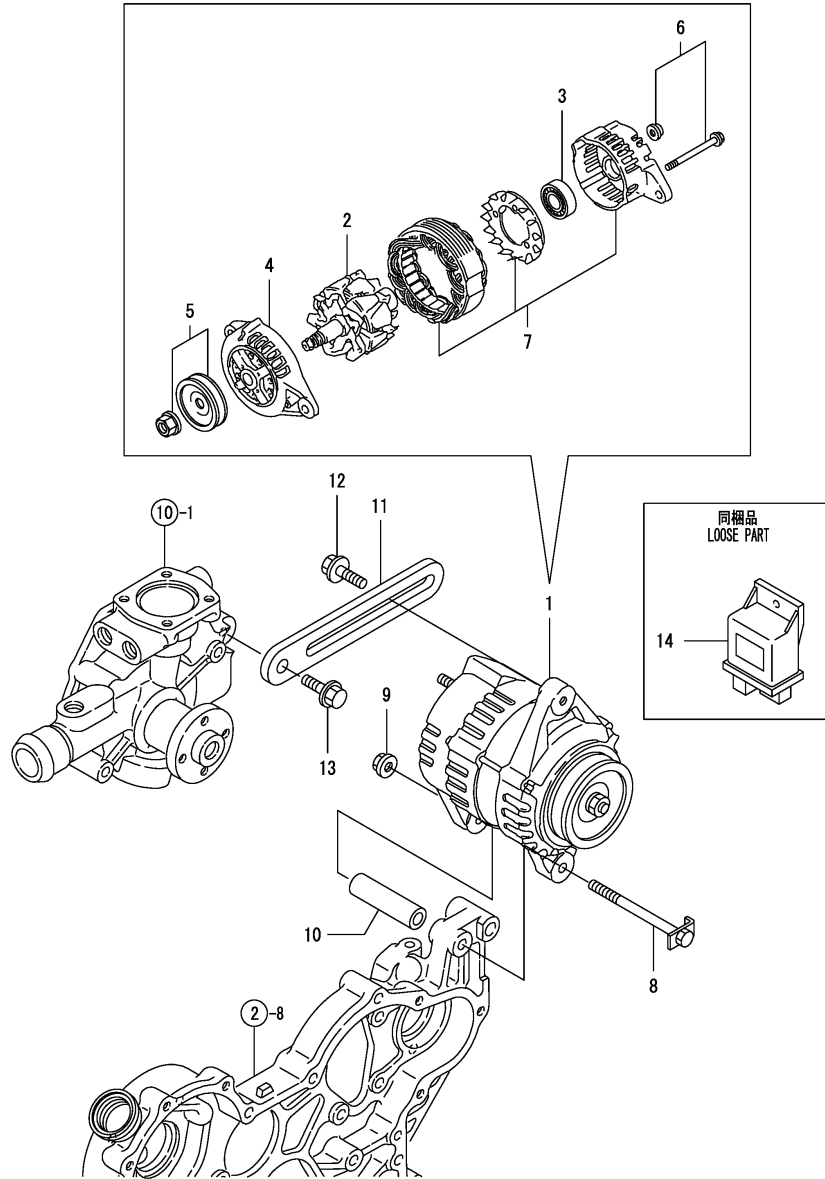


| No. | Lev. | Parts No. | Description | Qty | | | | | | I | R |
|-----|------|--------------|------------------|-----|-----|-----|-----|-----|-----|---|---|
| | | | | (A) | (B) | (C) | (D) | (E) | (F) | | |
| 118 | 2 | 26776-180002 | NUT, LOCK M18 | 1 | 1 | | | | | | |
| 121 | 2 | 158552-51670 | JOINT, OVER FLOW | 1 | 1 | | | | | | |
| 123 | 2 | 129916-59020 | JOINT, PIPE 12 | 1 | 1 | | | | | | |

Remarks
(1) GOVERNOR ASSY(FIG.17) IS
INCORPORATED IN THIS FOP.CMP
(REF.NO.1).

(A)=4TNV94L-NCKM
 (B)=4TNV94L-NCKS
 (C)=

(D)=
 (E)=
 (F)=



| No. | Lev. | Parts No. | Description | Q'ty | | | | | | I | R |
|-----|------|--------------|----------------------|------|-----|-----|-----|-----|-----|---|---|
| | | | | (A) | (B) | (C) | (D) | (E) | (F) | | |
| 2 | 2 | 158560-61050 | GASKET | 1 | 1 | | | | | | |
| 3 | 2 | 158560-61061 | COVER, GOVERNOR CASE | 1 | 1 | | | | | | |
| 4 | 2 | 158560-61071 | GASKET | 1 | 1 | | | | | | |
| 6 | 2 | 129155-51280 | O-RING, S6 | 1 | 1 | | | | | | |
| 26 | 2 | 129255-61410 | NUT, LOCK | 1 | 1 | | | | | | |
| 27 | 2 | 129255-61420 | SPRING, RETURN | 1 | 1 | | | | | | |
| 28 | 2 | 158560-61430 | RETAINER, SHAFT | 1 | 1 | | | | | | |
| 29 | 2 | 158560-61441 | LEVER, REGULATOR | 1 | 1 | | | | | | |
| 31 | 2 | 129155-61460 | BOLT, IDLE | 1 | 1 | | | | | | |
| 52 | 2 | 26116-060102 | BOLT, M6X 10 PLATED | 1 | 1 | | | | | | |
| 60 | 2 | 119660-61901 | RETAINER, SHAFT | 1 | 1 | | | | | | |
| 61 | 2 | 22190-120002 | WASHER, SEAL 12 | 1 | 1 | | | | | | |
| 63 | 2 | 23887-120002 | PLUG, 12 | 1 | 1 | | | | | | |
| 64 | 2 | 26106-060102 | BOLT, M6X 10 PLATED | 1 | 1 | | | | | | |
| 65 | 2 | 26106-060102 | BOLT, M6X 10 PLATED | 1 | 1 | | | | | | |
| 66 | 2 | 26756-060002 | NUT, LOCK M6 | 1 | 1 | | | | | | |
| 75 | 2 | 24341-000280 | O-RING, 1AS28.0 | 1 | 1 | | | | | | |
| 76 | 2 | 26106-060142 | BOLT, M6X 14 PLATED | 6 | 6 | | | | | | |
| 77 | 2 | 26106-060252 | BOLT, M6X 25 PLATED | 8 | 8 | | | | | | |
| 78 | 2 | 26106-060402 | BOLT, M6X 40 PLATED | 2 | 2 | | | | | | |
| 123 | 2 | 119233-77932 | SOLENOID, STOP | 1 | 1 | | | | | | |

Remarks
 * THIS FIGURE(GOVERNOR ASSY)IS
 INCORPORATED IN THE FUEL INJECTION
 PUMP ASSY(FIG.16).



Parts No. Index

| Parts No. | Fig. No. | Ref. No. |
|--------------|----------|----------|
| 105025-59750 | 13 | 7 |
| 114250-53080 | 12 | 5 |
| 114250-53120 | 12 | 9 |
| 114250-53130 | 12 | 10 |
| 114250-53140 | 12 | 11 |
| 114250-53210 | 12 | 12 |
| 114250-53400 | 12 | 13 |
| 119000-35140 | 9 | 3 |
| 119005-35151 | 9 | 4 |
| 119005-77050 | 5 | 7 |
| 119107-13190 | 6 | 7 |
| 119129-77020 | 5 | 5 |
| | 15 | 26 |
| 119129-77520 | 5 | 8 |
| 119131-18320 | 6 | 6 |
| 119233-77932 | 17 | 123 |
| 119260-34810 | 9 | 2 |
| 119305-59120 | 12 | 27 |
| 119593-11301 | 4 | 28 |
| 119620-11180 | 4 | 17 |
| 119620-49290 | 10 | 41 |
| 119620-77461 | 18 | 2 |
| 119620-77471 | 18 | 3 |
| 119620-77490 | 18 | 27 |
| 119620-77710 | 18 | 17 |
| 119620-79200 | 18 | 5 |
| 119620-79210 | 18 | 6 |
| 119620-79220 | 18 | 7 |
| 119620-79230 | 18 | 8 |
| 119620-79250 | 18 | 11 |
| 119620-79290 | 18 | 18 |
| 119620-79300 | 18 | 19 |
| 119620-79310 | 18 | 20 |
| 119620-79320 | 18 | 21 |
| 119620-79330 | 18 | 22 |
| 119620-79340 | 18 | 24 |
| 119620-79350 | 18 | 25 |
| 119625-11880 | 4 | 26 |
| | 15 | 7 |
| 119640-01640 | 3 | 8 |
| 119640-61400 | 4 | 61 |
| 119643-66900 | 14 | 18 |
| 119650-77910 | 14 | 14 |
| 119660-61901 | 17 | 60 |
| 119802-11870 | 4 | 68 |
| | 15 | 6 |
| 119802-13610 | 6 | 4 |
| 119802-13720 | 6 | 5 |
| 119802-49113 | 10 | 13 |
| 119802-51590 | 16 | 69 |

| Parts No. | Fig. No. | Ref. No. |
|--------------|----------|----------|
| 119802-51600 | 16 | 70 |
| 119802-51680 | 16 | 74 |
| 119802-51690 | 16 | 75 |
| 119802-55610 | 13 | 1 |
| 119802-55700 | 13 | 17 |
| 119802-55710 | 13 | 18 |
| 119802-55800 | 13 | 2 |
| 119802-59950 | 13 | 16 |
| 119810-77340 | 14 | 12 |
| | 18 | 31 |
| 119836-77201 | 14 | 1 |
| 119836-77920 | 14 | 7 |
| 120130-22301 | 8 | 24 |
| 121252-39450 | 9 | 12 |
| 121450-42450 | 10 | 36 |
| 121850-21130 | 8 | 14 |
| 121850-21290 | 8 | 5 |
| 121850-21680 | 8 | 13 |
| 121850-21920 | 8 | 6 |
| 121850-49550 | 10 | 30 |
| | 15 | 17 |
| 121850-49800 | 10 | 33 |
| 121850-77021 | 5 | 6 |
| | 15 | 18 |
| 122780-59100 | 12 | 26 |
| 123501-79240 | 18 | 10 |
| 123900-13610 | 6 | 10 |
| 123900-13630 | 6 | 11 |
| 123900-25060 | 7 | 10 |
| 123907-03100 | 4 | 54 |
| 123907-03110 | 4 | 55 |
| 123907-03120 | 4 | 56 |
| 123907-03140 | 4 | 57 |
| 123907-11280 | 4 | 33 |
| 123907-11550 | 4 | 3 |
| 123907-11601 | 12 | 25 |
| 123907-11820 | 4 | 10 |
| 123907-11830 | 4 | 23 |
| 123907-25909 | 7 | 17 |
| 123907-59540 | 13 | 9 |
| 123907-59550 | 13 | 10 |
| | 15 | 3 |
| 123907-59560 | 13 | 14 |
| 124160-01751 | 2 | 35 |
| | 4 | 49 |
| 124160-11340 | 4 | 18 |
| | 15 | 5 |
| 124160-11360 | 4 | 64 |
| 124411-01780 | 3 | 6 |
| 124465-44950 | 10 | 35 |

| Parts No. | Fig. No. | Ref. No. |
|--------------|----------|----------|
| 124465-44950 | 15 | 19 |
| 124722-59050 | 10 | 20 |
| | | 23 |
| | 13 | 12 |
| 124766-59050 | 13 | 5 |
| 124950-11340 | 4 | 19 |
| | 15 | 12 |
| 128300-13230 | 6 | 13 |
| | 15 | 11 |
| 128300-77920 | 14 | 19 |
| 128401-77440 | 18 | 12 |
| 128401-77450 | 18 | 23 |
| 129001-91810 | 2 | 24 |
| | | 25 |
| 129005-59830 | 9 | 17 |
| 129052-77380 | 18 | 9 |
| 129052-79260 | 18 | 13 |
| 129052-79270 | 18 | 14 |
| 129100-01580 | 2 | 5 |
| | 3 | 1 |
| 129100-55690 | 13 | 19 |
| 129136-77251 | 14 | 8 |
| 129150-02450 | 7 | 4 |
| 129150-11230 | 4 | 36 |
| | | 40 |
| 129150-11750 | 4 | 22 |
| | | 37 |
| | | 41 |
| 129150-14200 | 7 | 1 |
| 129150-25920 | 7 | 14 |
| 129150-59131 | 12 | 30 |
| | | 34 |
| 129150-77340 | 14 | 10 |
| 129155-51280 | 17 | 6 |
| 129155-61460 | 17 | 31 |
| 129211-77920 | 14 | 17 |
| 129255-61410 | 17 | 26 |
| 129255-61420 | 17 | 27 |
| 129400-92440 | 15 | 31 |
| 129457-59010 | 13 | 4 |
| 129486-59551 | 13 | 11 |
| 129550-59120 | 12 | 31 |
| 129612-77260 | 14 | 9 |
| | 18 | 29 |
| 129612-77700 | 14 | 2 |
| 129612-77710 | 14 | 3 |
| 129612-77730 | 14 | 4 |
| 129612-77740 | 14 | 5 |
| 129612-77750 | 14 | 6 |
| 129900-01200 | 1 | 31 |

| Parts No. | Fig. No. | Ref. No. |
|--------------|----------|----------|
| 129900-01250 | 1 | 5 |
| 129900-01740 | 2 | 6 |
| 129900-01780 | 2 | 4 |
| 129900-01850 | 2 | 39 |
| 129900-01870 | 2 | 40 |
| 129900-02020 | 1 | 7 |
| 129900-02340 | 1 | 34 |
| 129900-02410 | 1 | 10 |
| 129900-02930 | 1 | 28 |
| 129900-02940 | 1 | 37 |
| 129900-07900 | 4 | 1 |
| 129900-13120 | 6 | 1 |
| 129900-13150 | 6 | 3 |
| | 15 | 28 |
| 129900-13251 | 6 | 9 |
| | 15 | 10 |
| 129900-14100 | 7 | 7 |
| 129900-21200 | 8 | 4 |
| 129900-21600 | 8 | 17 |
| 129900-21640 | 8 | 8 |
| 129900-23000 | 8 | 26 |
| 129900-23200 | 8 | 31 |
| 129900-23600 | 8 | 32 |
| 129900-23610 | 8 | 34 |
| 129900-23910 | 8 | 30 |
| 129900-25100 | 7 | 11 |
| 129900-32001 | 2 | 11 |
| 129900-32030 | 2 | 22 |
| | 9 | 5 |
| | 15 | 13 |
| 129900-32040 | 2 | 23 |
| | 15 | 14 |
| 129900-42061 | 10 | 24 |
| | 15 | 15 |
| 129900-42070 | 10 | 14 |
| 129900-42140 | 10 | 15 |
| | 15 | 30 |
| 129900-42161 | 10 | 3 |
| 129900-42170 | 10 | 4 |
| 129900-42461 | 10 | 25 |
| 129900-49551 | 10 | 31 |
| 129900-49560 | 10 | 32 |
| | 15 | 16 |
| 129900-77330 | 14 | 11 |
| | 18 | 30 |
| 129902-21000 | 8 | 1 |
| 129906-01340 | 1 | 32 |
| | 15 | 4 |
| 129906-01350 | 1 | 32 -2 |
| | 15 | 4 -1 |



Parts No. Index

| Parts No. | Fig. No. | Ref. No. |
|--------------|----------|----------|
| 129906-01500 | 2 | 8 |
| 129906-22050 | 8 | 20 |
| 129906-22080 | 8 | 18 |
| 129906-22090 | 8 | 18 -1 |
| 129906-22900 | 8 | 36 -1 |
| 129906-22910 | 8 | 36 -2 |
| 129906-34810 | 9 | 1 |
| 129906-51560 | 16 | 63 |
| 129906-51580 | 16 | 67 |
| 129906-53000 | 12 | 2 |
| 129906-59820 | 12 | 38 |
| 129906-59830 | 12 | 39 |
| 129906-59840 | 12 | 40 |
| 129906-92630 | 15 | 1 -1 |
| 129906-92640 | 15 | 2 -1 |
| 129907-01190 | 1 | 33 |
| 129907-01331 | 1 | 32 -1 |
| 129907-01950 | 11 | 1 |
| 129907-01960 | 11 | 2 |
| 129907-03010 | 4 | 51 |
| 129907-03060 | 4 | 52 |
| 129907-03070 | 4 | 53 |
| 129907-11100 | 4 | 14 |
| 129907-11110 | 4 | 15 |
| 129907-11120 | 4 | 16 |
| 129907-11250 | 4 | 30 |
| 129907-11260 | 4 | 31 |
| 129907-11270 | 4 | 32 |
| 129907-11310 | 4 | 60 |
| | 15 | 8 |
| 129907-11320 | 4 | 50 |
| 129907-11341 | 4 | 29 |
| 129907-11510 | 4 | 20 |
| 129907-11650 | 4 | 34 |
| 129907-11660 | 4 | 38 |
| 129907-11700 | 4 | 4 |
| 129907-11800 | 4 | 8 |
| 129907-11910 | 4 | 67 |
| 129907-11920 | 4 | 42 |
| 129907-11950 | 4 | 47 |
| 129907-12100 | 5 | 1 |
| 129907-12110 | 5 | 2 |
| | 15 | 9 |
| 129907-14400 | 7 | 2 |
| 129907-14581 | 7 | 3 |
| 129907-21660 | 8 | 9 |
| 129907-39060 | 9 | 13 |
| 129907-42050 | 10 | 1 |
| 129907-49610 | 10 | 17 |
| 129907-49710 | 10 | 18 |

| Parts No. | Fig. No. | Ref. No. |
|--------------|----------|----------|
| 129907-49750 | 10 | 19 |
| 129907-59140 | 13 | 8 |
| 129907-59710 | 12 | 35 |
| 129907-59810 | 12 | 37 |
| 129908-14581 | 7 | 3 -1 |
| 129916-01600 | 3 | 2 |
| 129916-01630 | 3 | 3 |
| 129916-13210 | 6 | 8 |
| 129916-21450 | 8 | 42 |
| 129916-21460 | 8 | 43 |
| 129916-21570 | 8 | 15 |
| 129916-21670 | 8 | 11 |
| 129916-22950 | 8 | 38 -1 |
| 129916-44740 | 10 | 37 |
| 129916-59020 | 16 | 123 |
| 129927-77520 | 5 | 8 -1 |
| 129930-01710 | 3 | 7 |
| 129930-35000 | 9 | 6 |
| 129930-42400 | 10 | 27 |
| 129935-44710 | 10 | 38 -1 |
| 129940-34840 | 9 | 25 |
| 129953-25300 | 7 | 16 |
| 129957-59120 | 13 | 6 |
| 129960-21640 | 8 | 10 |
| 129960-77250 | 18 | 28 |
| 129961-77200 | 18 | 1 |
| 129961-77421 | 18 | 4 |
| 129962-49620 | 10 | 21 |
| 129962-49720 | 10 | 22 |
| 144626-51090 | 16 | 106 |
| 158552-51570 | 16 | 64 |
| 158552-51580 | 16 | 66 |
| 158552-51670 | 16 | 121 |
| 158552-51780 | 16 | 87 |
| 158552-52100 | 16 | 93 |
| 158552-52310 | 16 | 94 |
| 158552-52400 | 16 | 95 |
| 158553-51551 | 16 | 61 |
| 158553-51630 | 16 | 79 |
| 158553-51640 | 16 | 81 |
| 158553-51660 | 16 | 83 |
| 158553-51670 | 16 | 73 |
| 158553-51680 | 16 | 84 |
| 158557-51570 | 16 | 65 |
| 158560-51300 | 16 | 32 |
| 158560-51340 | 16 | 41 |
| 158560-51600 | 16 | 78 |
| 158560-61050 | 17 | 2 |
| 158560-61061 | 17 | 3 |
| 158560-61071 | 17 | 4 |

| Parts No. | Fig. No. | Ref. No. |
|--------------|----------|----------|
| 158560-61430 | 17 | 28 |
| 158560-61441 | 17 | 29 |
| 158563-51150 | 7 | 18 |
| 158563-51281 | 16 | 30 |
| | | 31 |
| 158563-51330 | 16 | 40 |
| 158600-51270 | 16 | 29 |
| 158601-51550 | 16 | 60 |
| 158601-51570 | 16 | 62 |
| 158601-51650 | 16 | 82 |
| 158601-51770 | 16 | 86 |
| 158601-51790 | 16 | 85 |
| 171051-01921 | 1 | 6 |
| 171056-49120 | 10 | 40 |
| 22190-080002 | 9 | 18 |
| | | 20 |
| | | 22 |
| | 13 | 15 |
| | 15 | 23 |
| 22190-120002 | 16 | 97 |
| | | 98 |
| | | 99 |
| | 17 | 61 |
| 22190-180002 | 16 | 100 |
| | | 101 |
| 22190-220002 | 3 | 10 |
| | 15 | 27 |
| 22217-180000 | 7 | 19 |
| | 16 | 102 |
| 22252-000300 | 8 | 25 |
| 22312-050140 | 16 | 103 |
| 22351-050010 | 16 | 104 |
| 22351-060012 | 1 | 11 |
| 22512-070140 | 7 | 8 |
| | 8 | 7 |
| 22857-500100 | 4 | 62 |
| | | 63 |
| 23857-030000 | 9 | 19 |
| 23857-060000 | 16 | 107 |
| 23876-020000 | 4 | 11 |
| 23876-030000 | 1 | 12 |
| | | 13 |
| | | 14 |
| | 4 | 12 |
| | 10 | 9 |
| 23887-120002 | 16 | 108 |
| | 17 | 63 |
| 24190-080001 | 10 | 10 |
| 24311-000070 | 2 | 26 |
| | 15 | 20 |

| Parts No. | Fig. No. | Ref. No. |
|--------------|----------|----------|
| 24311-000070 | 16 | 109 |
| 24311-000120 | 4 | 27 |
| | 15 | 21 |
| 24311-000160 | 13 | 21 |
| 24311-000320 | 2 | 38 |
| | 4 | 66 |
| | 15 | 22 |
| 24311-240100 | 9 | 26 |
| | 15 | 29 |
| 24321-000650 | 13 | 20 |
| 24341-000280 | 17 | 75 |
| 24341-000530 | 8 | 12 |
| | 15 | 24 |
| 24351-030750 | 2 | 27 |
| | 15 | 25 |
| 24356-010200 | 16 | 76 |
| | | 110 |
| 24356-020210 | 16 | 111 |
| 24372-000150 | 16 | 77 |
| 25132-004600 | 10 | 26 |
| 25132-004700 | 10 | 28 |
| 26014-080252 | 14 | 13 |
| 26106-060102 | 16 | 112 |
| | 17 | 64 |
| | | 65 |
| 26106-060142 | 17 | 76 |
| 26106-060162 | 12 | 41 |
| 26106-060252 | 17 | 77 |
| 26106-060352 | 16 | 113 |
| 26106-060402 | 17 | 78 |
| 26106-080102 | 10 | 29 |
| 26106-080122 | 3 | 11 |
| | 9 | 11 |
| | | 21 |
| | | 23 |
| | | 24 |
| 26106-080162 | 2 | 28 |
| | | 29 |
| | | 36 |
| | 4 | 2 |
| | 7 | 9 |
| | 9 | 27 |
| | 11 | 4 |
| 26106-080182 | 12 | 42 |
| 26106-080202 | 2 | 30 |
| 26106-080222 | 8 | 44 |
| | 11 | 5 |
| | | 6 |



Parts No. Index

| Parts No. | Fig. No. | Ref. No. |
|--------------|----------|----------|
| 26106-080252 | 10 | 34 |
| 26106-080302 | 13 | 3 |
| 26106-080402 | 2 | 31 |
| | | 32 |
| | 4 | 44 |
| | 5 | 9 |
| | 10 | 39 -1 |
| 26106-080452 | 2 | 33 |
| 26106-080552 | 5 | 3 |
| | 7 | 15 |
| | 10 | 16 |
| 26106-080602 | 4 | 45 |
| | | 46 |
| 26106-080852 | 5 | 4 |
| 26106-080902 | 5 | 10 |
| 26106-100202 | 11 | 7 |
| 26116-060102 | 17 | 52 |
| 26116-060162 | 10 | 11 |
| 26206-100202 | 3 | 4 |
| 26206-100352 | 3 | 5 |
| 26216-100302 | 2 | 10 |
| 26226-080222 | 4 | 43 |
| 26306-080002 | 4 | 48 |
| | 6 | 12 |
| 26306-100002 | 2 | 34 |
| 26450-100452 | 16 | 117 |
| 26577-060142 | 10 | 12 |
| 26756-060002 | 17 | 66 |
| 26776-180002 | 7 | 20 |
| | 16 | 118 |
| 27241-300000 | 1 | 15 |
| 27241-400000 | 4 | 13 |
| 27310-070001 | 4 | 24 |
| 729900-02800 | 1 | 25 |
| 729906-01560 | 1 | 1 |
| 729906-22900 | 8 | 36 |
| 729906-22950 | 8 | 38 |
| 729906-51340 | 11 | 3 |
| | 16 | 1 |
| 729906-53100 | 12 | 1 |
| 729906-92650 | 15 | 1 |
| 729906-92660 | 15 | 2 |
| 729907-01550 | 2 | 1 |
| 977770-01212 | 2 | 37 |
| | 3 | 12 |
| | 4 | 69 |
| | 15 | 32 |
| X9490561001 | 18 | 26 |

| Parts No. | Fig. No. | Ref. No. |
|-----------|----------|----------|
|-----------|----------|----------|

| Parts No. | Fig. No. | Ref. No. |
|-----------|----------|----------|
|-----------|----------|----------|

| Parts No. | Fig. No. | Ref. No. |
|-----------|----------|----------|
|-----------|----------|----------|