

0CV10-M94900EN

PREFACE

- 1.This Parts Catalog carries all parts incorporated in YANMAR Model 4TNV88-XVS engine manufactured since November, 2004.
- 2.Each illustration corresponds to the parts list on the following page.
- 3.When ordering parts,clearly write down the engine model and serial number,as well as the name and number of each part in your order sheet. This will help insure reliable delivery of the parts you have ordered.

How to read this Parts Catalog.

1. Parts mentioned in Parts Catalog may not necessarily be standard equipping parts
2. Parts change may be made without prior notice.
3. Form of this Parts Catalog.

| REF. | LEV. | PARTS No. | DESCRIPTION | QTY | | | | | | I | R |
|-------|------|--|---------------------|-----|-----|-----|-----|-----|-----|---|---|
| | | | | (A) | (B) | (C) | (D) | (E) | (F) | | |
| 1 | | 729595-51390 | FUEL INJECTION PUMP | 1 | 1 | 1 | 1 | 1 | 1 | | |
| 1-1 | 1 | 729595-51391 | FUEL INJECTION PUMP | 1 | 1 | 1 | 1 | 1 | 1 | | |
| | | (A-E00185) (B-E00200) | | | | | | | | | |
| 3 | 2 | 26022-060162 | SCREW M 6X16 | 9 | 9 | 9 | 9 | 9 | 9 | | |
| 1 3-1 | 2 | 26022-060162 | SCREW M 6X16 | 4 | 4 | 4 | 4 | 4 | 4 | | K |
| | | (A-E00156) (B-E00156) (C-E00156) (D-E00156) (E-E00156) | | | | | | | | | |
| 4 | 2 | 129470-51040 | CAMSHFT | 9 | 9 | 9 | 9 | 9 | 9 | | |
| 5 | 2 | 122710-51050 | BEARING, ROLLER | 9 | 9 | 9 | 9 | 9 | 9 | | |
| 6 | 2 | 129470-51060 | RETAINER | 9 | 9 | 9 | 9 | 9 | 9 | | |

Remarks

(1) BOOST COMPENSATOR TYPE
OPTIONAL PART. TO E/#00155
(4JH-DT, 4JH-DTZ)

① Ref. No.

The Ref. No. in the list may not be in accordance with the Ref. No. on illustration.

(Ex.) illustration No. List heed No.

1 1 (Before change) → 1-1 (After change)

When interchangeable symbol N, and K, illustrations for the new parts are sometimes omitted.

② Lev. (Level)

Indication and Meaning of Level

Level Hereunder is given the relation among the number of number (1,2,3) the level and the nominal parent-child relationship.

1 ---- Parent parts (Assembly parts)

2 ---- Child parts included in " 1 " (Semi-Assembly parts, component parts of Assembly parts.)

3 ---- Child parts included in " 2 ", Grand-child parts in terms of " 1 ".

(Component parts of Semi-Assembly parts.)

Note) A parts of non-sale parts are illustrated but not listed.

③ Change Mark

Change Mark " I " is given to the part for which a design change was made at this time.

The design change was not shown in the last published Parts Catalog.

④ Interchangeability Mark

In the case where a part change took place, one of the following interchangeability marks is indicated for that part

| Symbol | Interchangeability | Contents note |
|--------|--------------------|--|
| N | Old ← New | New Part is interchangeable for Old Part but not interchangeable conversely. |
| Q | Old ← New | New Part is not interchangeable for Old Part but interchangeable conversely. |
| R | Old ← New | New Part is interchangeable for Old Part and vice versa. |
| S | Old ← New | New Part is not interchangeable for Old Part and vice versa. |
| W | | Part newly added. |
| Z | | Part discontinued. |
| F | | Not interchangeable single part but interchangeable by set of the related parts. |
| K | | Changed only in quantity used. |

⑤ Effective Machine No.

When a part is changed, Effective Machine No. of a Model for which the part is applicable is indication

In each column of (A)-(F).

| Product Symbol | Product No. | Product Symbol | Product No. |
|----------------|----------------------------|----------------|-------------|
| C | Clutch No., Compressor No. | M | Machine No. |
| D | Drive No. | T | Tractor No. |
| E | Engine No. | Note 1)※ | Date |

Note 1) Date may follow the symbol in some cases.(Ex.) ※1996.01

Note 2) As far as engine models shown by " XXX " are concerned, the modification of the parts could not be Predicted or the engine models themselves could not be identified.

Note 3) (A=E/#00185) means that the design change on the part has been effective for the model at the, column (A) (in the case, for 4JH-DT) on and from E/#(Engine Serial Number) 00185

⑥ Remarks Mark

Figures or alphabets (Symbols) are entered in the remark column.

The comments (remarks) on the pertinent parts are indicated in the lower part of the list by the same symbols a those stated above.

Fig. No. Fig. Name

Fig. No. Fig. Name

ENGINE SECTION

1. CYLINDER BLOCK
2. GEAR HOUSING
3. FLYWHEEL HOUSING & OIL SUMP
4. CYLINDER HEAD & BONNET
5. SUCTION MANIFOLD
6. EXHAUST MANIFOLD
7. CAMSHAFT & DRIVING GEAR
8. CRANKSHAFT & PISTON
9. LUB.OIL SYSTEM
10. LUB.OIL LINE
11. COOLING WATER SYSTEM
12. FUEL INJECTION PUMP
13. GOVERNOR
14. FUEL INJECTION VALVE
15. FUEL LINE
16. STARTING MOTOR
17. GENERATOR
18. GASKET SET



(A)=4TNV88-XVS

(B)=

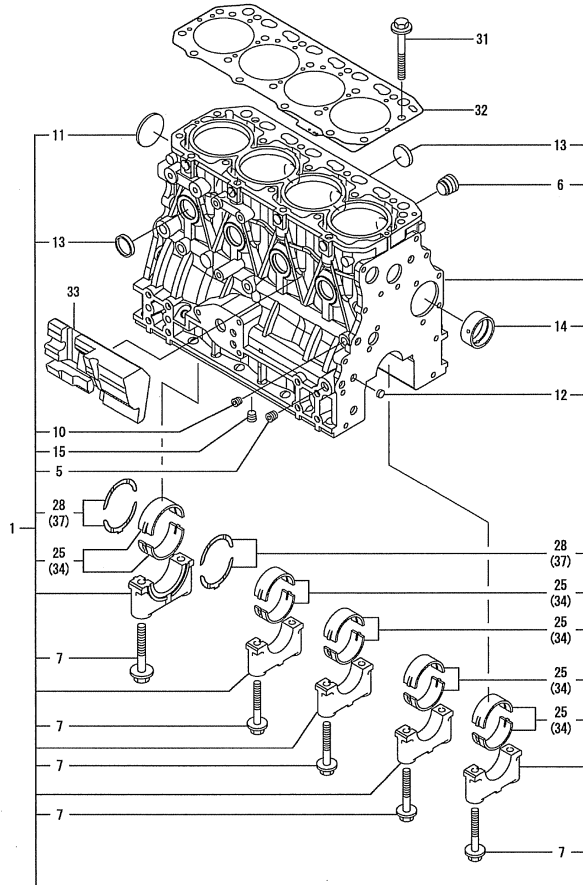
(C)=

(D)=

(E)=

(F)=

Y00V9490



Remarks
 (1) UNDER-SIZE(U.S=0.25)PART.
 (2) OVER-SIZE(O.S=0.25)PART.
 (3) REPAIR PART.

| No. | Lev. | Parts No. | Description | Q'ty | | | | | | I | R |
|-----|------|--------------|----------------------|------|-----|-----|-----|-----|-----|---|---|
| | | | | (A) | (B) | (C) | (D) | (E) | (F) | | |
| 1 | 1 | 729602-01560 | BLOCK ASSY, CYLINDER | 1 | | | | | | | |
| 5 | 2 | 124160-01910 | PLUG, PT1/4 | 2 | | | | | | | |
| 6 | 2 | 171051-01921 | PLUG, NPTF1 | 1 | | | | | | | |
| 7 | 2 | 129150-02020 | BOLT, METAL CAP | 10 | | | | | | | |
| 10 | 2 | 124060-01050 | PLUG, PT1/8 | 1 | | | | | | | |
| 11 | 2 | 129001-01250 | PLUG, 50 | 1 | | | | | | | |
| 12 | 2 | 27241-120000 | PLUG, 12 | 2 | | | | | | | |
| 13 | 2 | 27241-300000 | PLUG 30 | 8 | | | | | | | |
| 14 | 2 | 129795-02411 | BUSH, CAMSHAFT | 1 | | | | | | | |
| 15 | 2 | 124160-01910 | PLUG, PT1/4 | 1 | | | | | | | |
| 25 | 2 | 129001-02930 | BEARING, MAIN | 5 | | | | | | | 3 |
| 28 | 2 | 129150-02930 | BEARING, THRUST | 2 | | | | | | | |
| 31 | 1 | 129150-01200 | BOLT, HEAD | 18 | | | | | | | |
| 32 | 1 | 129407-01340 | GASKET, HEAD | 1 | | | | | | | |
| 33 | 1 | 129004-01190 | SPACER | 1 | | | | | | | |
| 34 | 1 | 129150-02870 | BEARING, 0.25 US | 5 | | | | | | | 1 |
| 37 | 1 | 129150-02940 | BEARING, THRUST 0.25 | 1 | | | | | | | 2 |

Remarks
 (1) UNDER-SIZE(U.S=0.25)PART.
 (2) OVER-SIZE(O.S=0.25)PART.
 (3) REPAIR PART.

(A)=4TNV88-XVS

(B)=

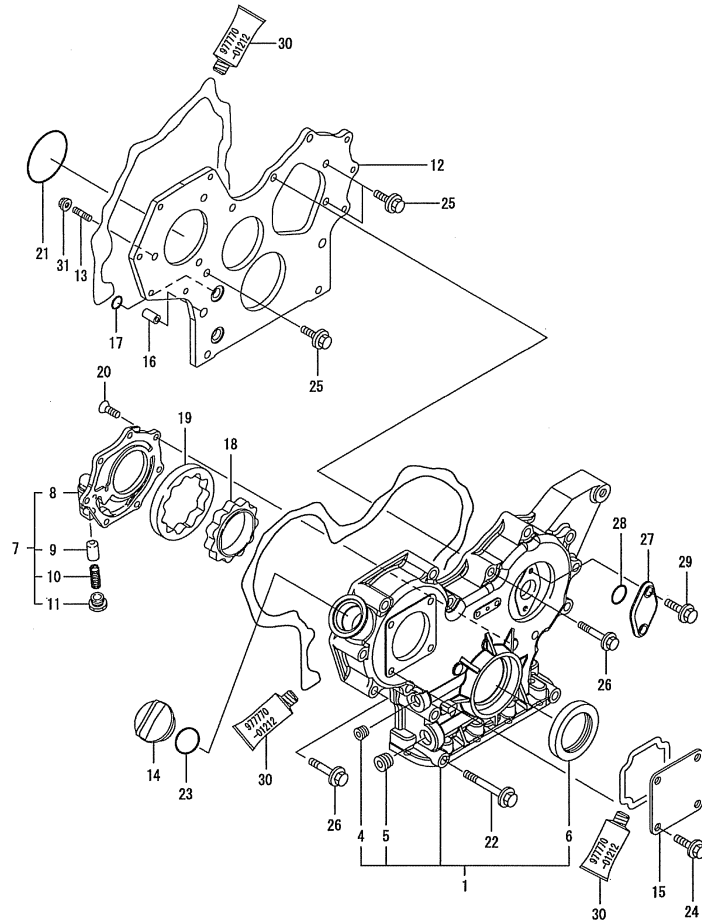
(C)=

(D)=

(E)=

(F)=

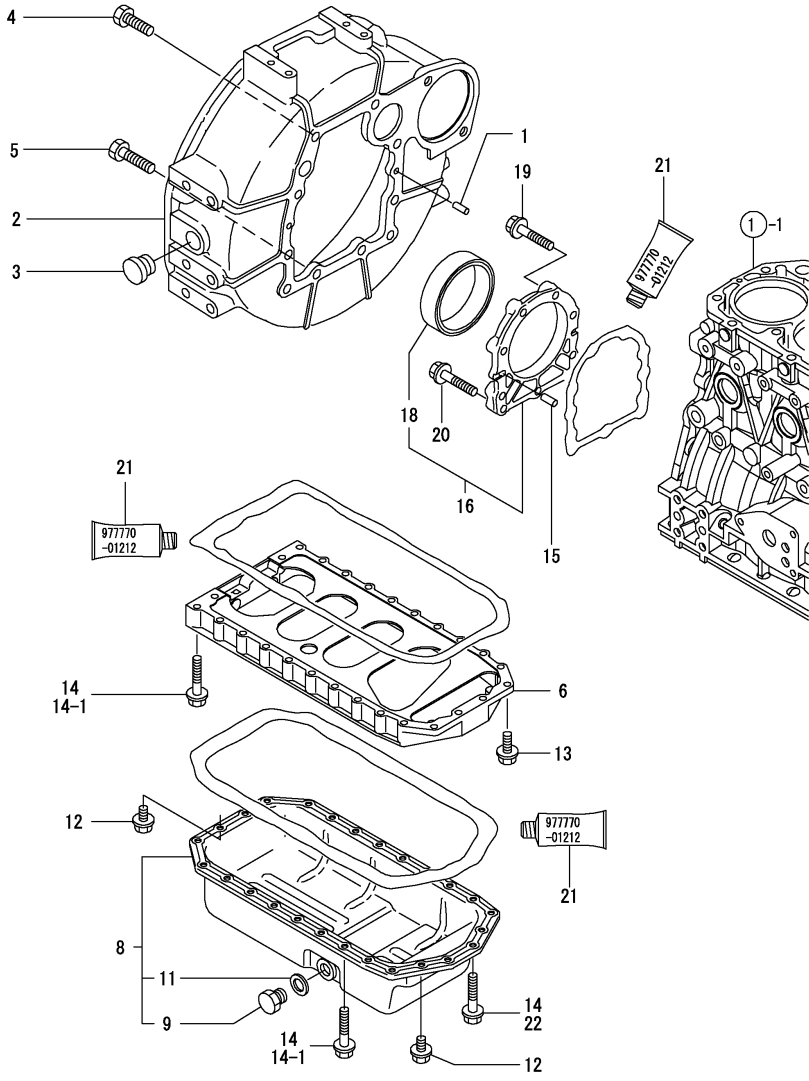
Y00V9490



Remarks
(1) OPTIONAL PART.

| No. | Lev. | Parts No. | Description | Q'ty | | | | | | I | R |
|-----|------|--------------|---------------------|------|-----|-----|-----|-----|-----|---|---|
| | | | | (A) | (B) | (C) | (D) | (E) | (F) | | |
| 1 | 1 | 719802-01500 | CASE ASSY, GEAR | 1 | | | | | | | |
| 4 | 2 | 23876-030000 | PLUG, R03 | 1 | | | | | | | |
| 5 | 2 | 23876-040000 | PLUG, R04 | 1 | | | | | | | |
| 6 | 2 | 129795-01800 | SEAL, OIL | 1 | | | | | | | |
| 7 | 1 | 119802-32100 | COVER ASSY | 1 | | | | | | | |
| 8 | 2 | 119802-32070 | COVER | 1 | | | | | | | |
| 9 | 2 | 129900-32130 | VALVE, RELIEF | 1 | | | | | | | |
| 10 | 2 | 129418-32320 | SPRING | 1 | | | | | | | |
| 11 | 2 | 129001-32330 | PLUG | 1 | | | | | | | |
| 12 | 1 | 119802-01520 | FLANGE, GEAR CASE | 1 | | | | | | | |
| 13 | 1 | 119802-01560 | STUD, M8X25 | 3 | | | | | | | |
| 14 | 1 | 124160-01751 | COVER, FILLER | 1 | | | | | | | |
| 15 | 1 | 124240-01871 | COVER | 1 | | | | | | | |
| 16 | 1 | 129795-01950 | PIPE, KNOCK L=18 | 2 | | | | | | | |
| 17 | 1 | 119609-32040 | O-RING, P16 | 4 | | | | | | | |
| 18 | 1 | 119802-32111 | ROTOR, INNER | 1 | | | | | | | |
| 19 | 1 | 119802-32120 | ROTOR, OUTER | 1 | | | | | | | |
| 20 | 1 | 119802-32130 | SCREW, M6X16 | 7 | | | | | | | |
| 21 | 1 | 121850-51960 | O-RING | 1 | | | | | | | |
| 22 | 1 | 129001-91841 | BOLT, M8X85 | 3 | | | | | | | |
| 23 | 1 | 24311-000320 | O-RING, 1AP32.0 | 1 | | | | | | | |
| 24 | 1 | 26106-080162 | BOLT, M8X 16 PLATED | 4 | | | | | | | |
| 25 | 1 | 26106-080162 | BOLT, M8X 16 PLATED | 3 | | | | | | | |
| 26 | 1 | 26106-080552 | BOLT, M8X 55 PLATED | 12 | | | | | | | |
| 27 | 1 | 121023-01550 | COVER | 1 | | | | | | | |
| 28 | 1 | 24341-000240 | O-RING, 1AS24.0 | 1 | | | | | | | |
| 29 | 1 | 26106-060162 | BOLT, M6X 16 PLATED | 2 | | | | | | | |
| 30 | 1 | 977770-01212 | GASKET, LIQUID | 1 | | | | | | | 1 |
| 31 | 1 | 26306-080002 | NUT, M8 | 3 | | | | | | | |

Remarks
(1) OPTIONAL PART.



(A)=4TNV88-XVS
(B)=
(C)=

(D)=
(E)=
(F)=

| No. | Lev. | Parts No. | Description | Q'ty | | | | | | I | R |
|--------------|------|--------------|----------------------|------|-----|-----|-----|-----|-----|---|---|
| | | | | (A) | (B) | (C) | (D) | (E) | (F) | | |
| 1 | 1 | 129100-01580 | PIN, M8X16 | 2 | | | | | | | |
| 2 | 1 | 129612-01600 | HOUSING, FLYWHEEL | 1 | | | | | | | |
| 3 | 1 | 119620-01750 | CAP | 1 | | | | | | | |
| 4 | 1 | 26206-100252 | BOLT, M10X 25 PLATED | 6 | | | | | | | |
| 5 | 1 | 26206-100302 | BOLT, M10X 30 PLATED | 4 | | | | | | | |
| 6 | 1 | 129400-01730 | SPACER, OIL SUMP | 1 | | | | | | | |
| 8 | 1 | 129400-01770 | SUMP ASSY, OIL | 1 | | | | | | | |
| 8-1 | 1 | 129688-01780 | OIL PAN ASSY, DEEP | 1 | | | | | | | N |
| (A=E03721) | | | | | | | | | | | |
| 9 | 2 | 119640-01640 | PLUG, DRAIN M22 | 1 | | | | | | | |
| 11 | 2 | 22190-220002 | WASHER, SEAL 22 | 1 | | | | | | | |
| 12 | 1 | 26106-080162 | BOLT, M8X 16 PLATED | 4 | | | | | | | |
| 13 | 1 | 26106-080252 | BOLT, M8X 25 PLATED | 2 | | | | | | | |
| 14 | 1 | 26106-080452 | BOLT, M8X 45 PLATED | 24 | | | | | | | |
| 14-1 | 1 | 26106-080452 | BOLT, M8X 45 PLATED | 20 | | | | | | | K |
| (A=FROM 1ST) | | | | | | | | | | | |
| 15 | 1 | 129100-01580 | PIN, M8X16 | 2 | | | | | | | |
| 16 | 1 | 129100-01640 | CASE ASSY, OIL SEAL | 1 | | | | | | | |
| 18 | 2 | 129795-01780 | SEAL, OIL | 1 | | | | | | | |
| 19 | 1 | 129486-01670 | BOLT, M8X30 | 6 | | | | | | | |
| 20 | 1 | 26106-080352 | BOLT, M8X 35 PLATED | 3 | | | | | | | |
| 21 | 1 | 977770-01212 | GASKET, LIQUID | 1 | | | | | | | 1 |
| 22 | 1 | 26106-080502 | BOLT, M8X 50 PLATED | 4 | | | | | | | W |
| (A=FROM 1ST) | | | | | | | | | | | |

Remarks
(1)Optional parts.

(A)=4TNV88-XVS

(B)=

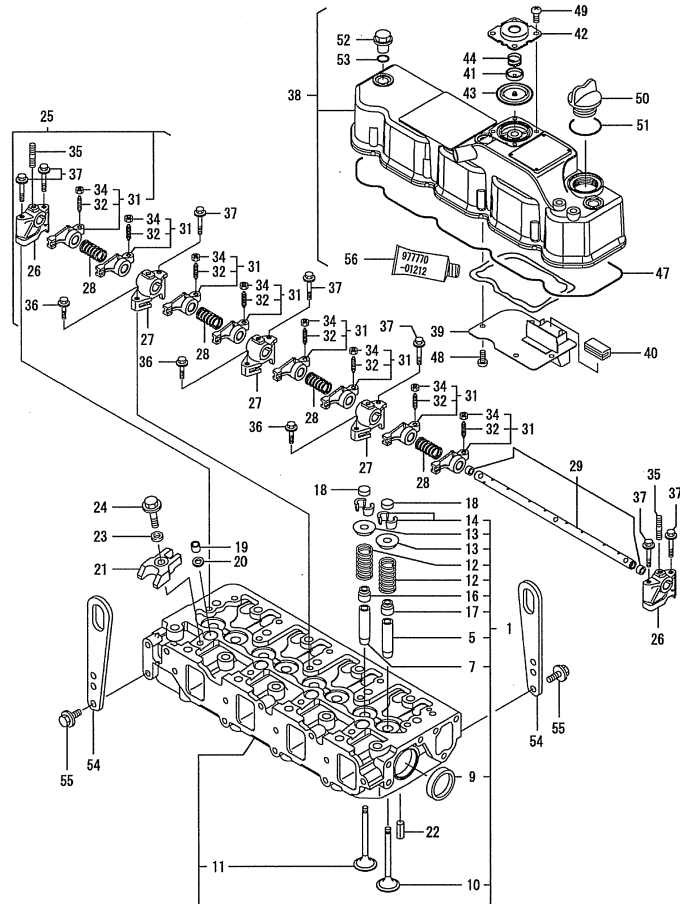
(C)=

(D)=

(E)=

(F)=

Y00V9490

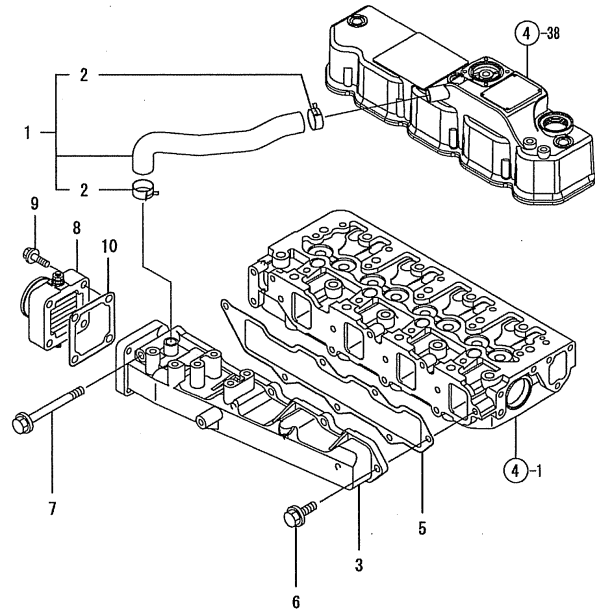


Remarks
 (1) REPAIR PART.
 (2) OPTIONAL PART.

| No. | Lev. | Parts No. | Description | Q'ty | | | | | | I | R |
|-----|------|--------------|---------------------|------|-----|-----|-----|-----|-----|---|---|
| | | | | (A) | (B) | (C) | (D) | (E) | (F) | | |
| 1 | 1 | 129602-11700 | HEAD ASSY, CYLINDER | 1 | | | | | | | |
| 5 | 2 | 120130-11860 | GUIDE, VALVE | 4 | | | | | | | 1 |
| 7 | 2 | 129150-11810 | GUIDE, VALVE | 4 | | | | | | | 1 |
| 9 | 2 | 27241-400000 | PLUG, 40 | 2 | | | | | | | |
| 10 | 2 | 129005-11100 | VALVE, INTAKE | 4 | | | | | | | |
| 11 | 2 | 129100-11111 | VALVE, EXHAUST | 4 | | | | | | | |
| 12 | 2 | 129795-11120 | SPRING, VALVE | 8 | | | | | | | |
| 13 | 2 | 129795-11180 | RETAINER, SPRING | 8 | | | | | | | |
| 14 | 2 | 27310-080001 | COTTER, 8 | 8 | | | | | | | |
| 16 | 2 | 121400-11340 | SEAL, VALVE STEM | 4 | | | | | | | |
| 17 | 2 | 124460-11340 | SEAL, VALVE STEM | 4 | | | | | | | |
| 18 | 1 | 129150-11370 | CAP, VALVE | 8 | | | | | | | |
| 19 | 1 | 119802-11870 | PROTECTOR, NOZZLE | 4 | | | | | | | |
| 20 | 1 | 119625-11880 | SEAT, NOZZLE | 4 | | | | | | | |
| 21 | 1 | 129004-11900 | RETAINER, NOZZLE | 4 | | | | | | | |
| 22 | 1 | 22351-060012 | PIN, SPRING 6.0X12 | 2 | | | | | | | |
| 23 | 1 | 120270-54410 | WASHER, INJECTOR | 4 | | | | | | | |
| 24 | 1 | 26106-080352 | BOLT, M8X 35 PLATED | 4 | | | | | | | |
| 25 | 1 | 129601-11241 | SHAFT ASSY, ROCKER | 1 | | | | | | | |
| 26 | 2 | 119802-11260 | SUPPORT, ROCKER ARM | 2 | | | | | | | |
| 27 | 2 | 119802-11270 | SUPPORT, ROCKER ARM | 3 | | | | | | | |
| 28 | 2 | 129150-11280 | SPRING | 4 | | | | | | | |
| 29 | 2 | 129601-11251 | SHAFT, ROCKER ARM | 1 | | | | | | | |
| 31 | 2 | 129004-11650 | ARM, ROCKER | 8 | | | | | | | |
| 32 | 3 | 129150-11230 | SCREW, VALVE ADJUST | 8 | | | | | | | |
| 34 | 3 | 129150-11750 | NUT, M8 | 8 | | | | | | | |
| 35 | 2 | 26226-080182 | STUD, M8X 18 | 3 | | | | | | | |
| 36 | 1 | 26106-080252 | BOLT, M8X 25 PLATED | 3 | | | | | | | |
| 37 | 1 | 26106-080502 | BOLT, M8X 50 PLATED | 7 | | | | | | | |
| 38 | 1 | 129601-11350 | BONNET ASSY, HEAD | 1 | | | | | | | |
| 39 | 2 | 129004-03010 | PLATE | 1 | | | | | | | |
| 40 | 2 | 129150-03070 | BAFFLE, BREATHER | 1 | | | | | | | |
| 41 | 2 | 119802-03110 | PLATE | 1 | | | | | | | |
| 42 | 2 | 119802-03121 | COVER, DIAPHRAGM | 1 | | | | | | | |
| 43 | 2 | 119802-03130 | DIAPHRAGM | 1 | | | | | | | |
| 44 | 2 | 119802-03141 | SPRING, DIAPHRAGM | 1 | | | | | | | |
| 47 | 2 | 129601-11310 | GASKET, BONNET | 1 | | | | | | | |
| 48 | 2 | 22857-500100 | SCREW, 5X10 | 4 | | | | | | | |
| 49 | 2 | 22857-500100 | SCREW, 5X10 | 4 | | | | | | | |
| 50 | 1 | 124160-01751 | COVER, FILLER | 1 | | | | | | | |
| 51 | 1 | 24311-000320 | O-RING, 1AP32.0 | 1 | | | | | | | |
| 52 | 1 | 124160-11360 | KNOB | 3 | | | | | | | |
| 53 | 1 | 24311-000120 | O-RING, 1AP12.0 | 3 | | | | | | | |
| 54 | 1 | 129900-07900 | LIFTER | 2 | | | | | | | |
| 55 | 1 | 26106-080142 | BOLT, M8X 14 PLATED | 4 | | | | | | | |
| 56 | 1 | 977770-01212 | GASKET, LIQUID | 1 | | | | | | | 2 |

Remarks
 (1) REPAIR PART.
 (2) OPTIONAL PART.

Y00V9490

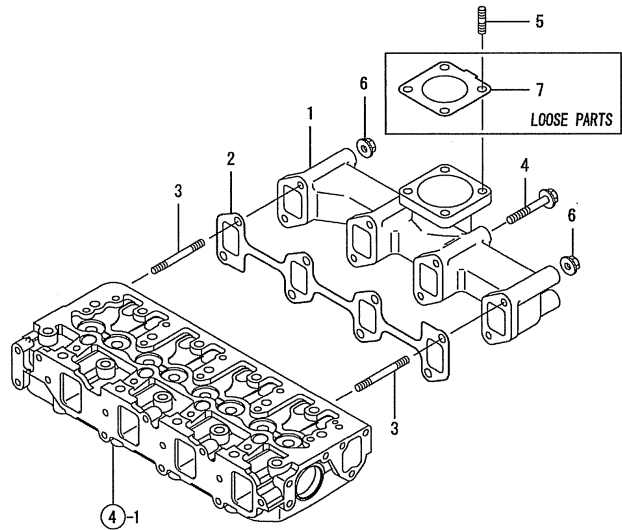


(A)=4TNV88-XVS
(B)=
(C)=

(D)=
(E)=
(F)=

| No. | Lev. | Parts No. | Description | Q'ty | | | | | | I | R |
|-----|------|--------------|----------------------|------|-----|-----|-----|-----|-----|---|---|
| | | | | (A) | (B) | (C) | (D) | (E) | (F) | | |
| 1 | 1 | 129601-03080 | PIPE , BREATHER | 1 | | | | | | | |
| 2 | 2 | 129410-03990 | CLIP | 2 | | | | | | | |
| 3 | 1 | 129601-12100 | MANIFOLD, AIR INTAKE | 1 | | | | | | | |
| 5 | 1 | 129407-12110 | GASKET, MANIFOLD | 1 | | | | | | | |
| 6 | 1 | 26106-080202 | BOLT, M8X 20 PLATED | 6 | | | | | | | |
| 7 | 1 | 26106-080802 | BOLT, M8X 80 PLATED | 1 | | | | | | | |
| 8 | 1 | 129120-77501 | HEATER | 1 | | | | | | | |
| 9 | 1 | 26106-080352 | BOLT, M8X 35 PLATED | 4 | | | | | | | |
| 10 | 1 | 129150-77511 | GASKET | 1 | | | | | | | |

Y00V9490



(A)=4TNV88-XVS
(B)=
(C)=

(D)=
(E)=
(F)=

| No. | Lev. | Parts No. | Description | Q'ty | | | | | | I | R |
|-----|------|--------------|-------------------|------|-----|-----|-----|-----|-----|---|---|
| | | | | (A) | (B) | (C) | (D) | (E) | (F) | | |
| 1 | 1 | 129411-13100 | MANIFOLD, EXHAUST | 1 | | | | | | | |
| 2 | 1 | 129550-13110 | GASKET | 1 | | | | | | | |
| 3 | 1 | 123900-13610 | STUD, M8X80 | 2 | | | | | | | |
| 4 | 1 | 123900-13630 | BOLT, M8X80 | 6 | | | | | | | |
| 5 | 1 | 119131-18320 | STUD, M8X22 | 4 | | | | | | | |
| 6 | 1 | 26306-080002 | NUT, M8 | 2 | | | | | | | |
| 7 | 1 | 129930-13201 | GASKET, SILENCER | 1 | | | | | | | |

(A)=4TNV88-XVS

(B)=

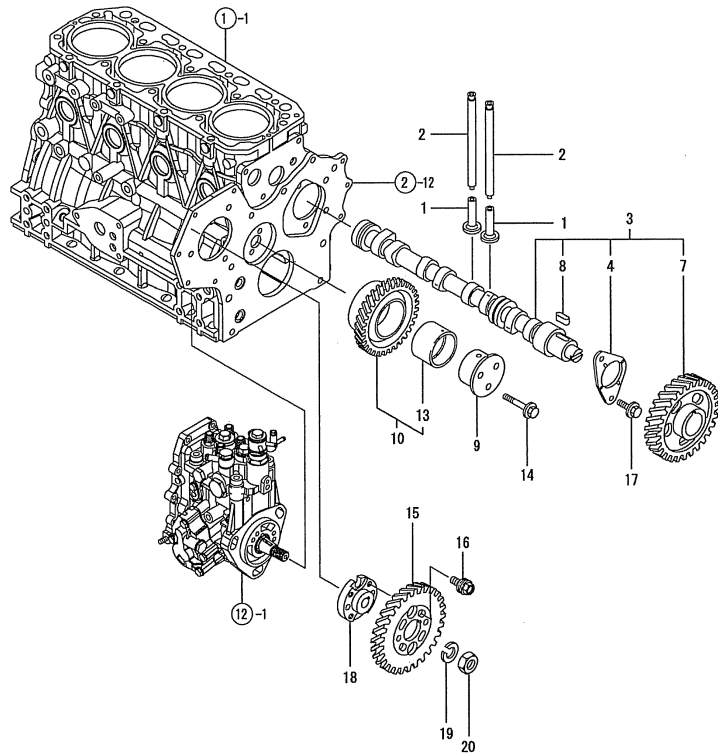
(C)=

(D)=

(E)=

(F)=

Y00V9490



| No. | Lev. | Parts No. | Description | Q'ty | | | | | | I | R |
|-----|------|--------------|---------------------|------|-----|-----|-----|-----|-----|---|---|
| | | | | (A) | (B) | (C) | (D) | (E) | (F) | | |
| 1 | 1 | 129150-14200 | TAPPET | 8 | | | | | | | |
| 2 | 1 | 129150-14400 | ROD, PUSH L=178 | 8 | | | | | | | |
| 3 | 1 | 729402-14580 | CAMSHAFT ASSY | 1 | | | | | | | |
| 4 | 2 | 129150-02450 | BEARING, THRUST | 1 | | | | | | | |
| 7 | 2 | 129150-14101 | GEAR, CAMSHAFT | 1 | | | | | | | |
| 8 | 2 | 22512-070140 | KEY, 7X 14 | 1 | | | | | | | |
| 9 | 1 | 119802-25051 | SHAFT, IDLE | 1 | | | | | | | |
| 10 | 1 | 119802-25100 | GEAR ASSY, IDLE | 1 | | | | | | | |
| 13 | 2 | 119802-25070 | BUSH, IDLE GEAR | 1 | | | | | | | 1 |
| 14 | 1 | 26106-080402 | BOLT, M8X 40 PLATED | 3 | | | | | | | |
| 15 | 1 | 119802-25901 | GEAR, PUMP | 1 | | | | | | | |
| 16 | 1 | 129150-25301 | BOLT | 4 | | | | | | | |
| 17 | 1 | 26106-080142 | BOLT, M8X 14 PLATED | 2 | | | | | | | |
| 18 | 1 | 158552-51151 | FLANGE | 1 | | | | | | | |
| 19 | 1 | 22217-140000 | WASHER, SPRING 14 | 1 | | | | | | | |
| 20 | 1 | 26776-140002 | NUT, LOCK M14 | 1 | | | | | | | |

Remarks
(1) REPAIR PART.

Remarks
(1) REPAIR PART.

(A)=4TNV88-XVS

(B)=

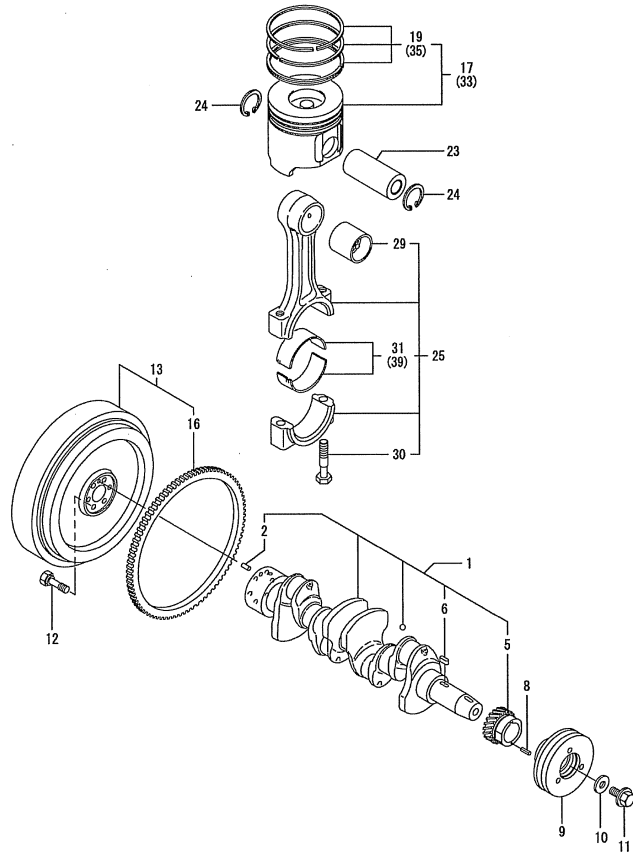
(C)=

(D)=

(E)=

(F)=

Y00V9490



Remarks

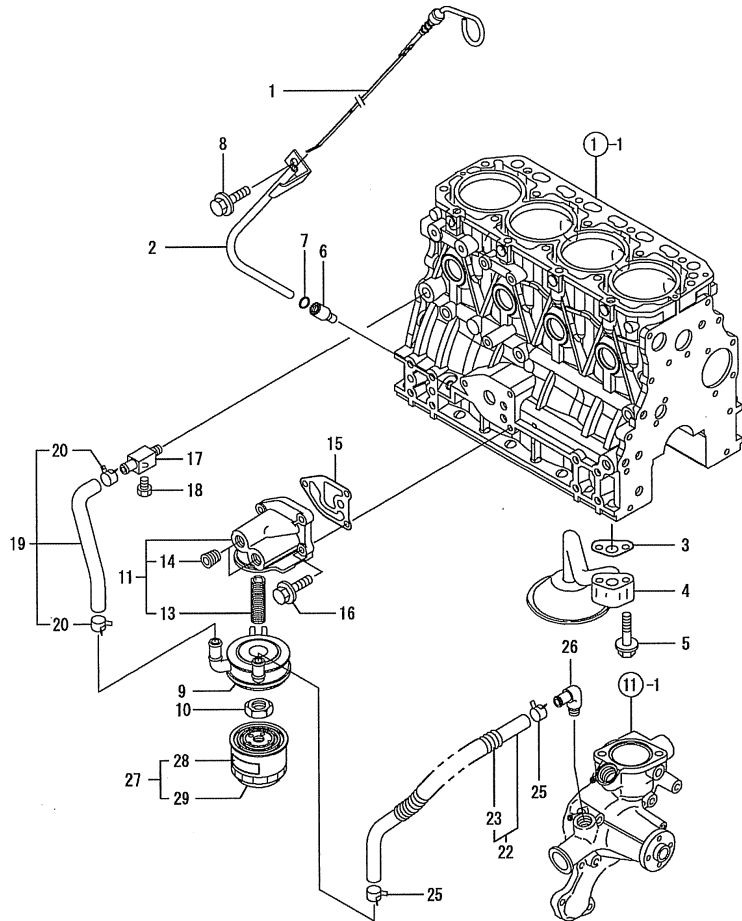
- (1) REPAIR PART.
- (2) OVER-SIZE(O.S=0.25)PART.
- (3) UNDER-SIZE(U.S=0.25)PART.

| No. | Lev. | Parts No. | Description | Q'ty | | | | | | I | R |
|-----|------|--------------|----------------------|------|-----|-----|-----|-----|-----|---|---|
| | | | | (A) | (B) | (C) | (D) | (E) | (F) | | |
| 1 | 1 | 129601-21002 | CRANKSHAFT ASSY | 1 | | | | | | | |
| 2 | 2 | 129100-01580 | PIN, M8X16 | 1 | | | | | | | |
| 5 | 2 | 119802-21202 | GEAR, CRANKSHAFT | 1 | | | | | | | |
| 6 | 2 | 22512-070140 | KEY, 7X 14 | 1 | | | | | | | |
| 8 | 1 | 22351-030010 | PIN, SPRING 3.0X10 | 1 | | | | | | | |
| 9 | 1 | 119802-21650 | V-PULLEY, 110 | 1 | | | | | | | |
| 10 | 1 | 129795-21661 | WASHER | 1 | | | | | | | |
| 11 | 1 | 121850-21680 | BOLT | 1 | | | | | | | |
| 12 | 1 | 121111-21501 | BOLT, FLYWHEEL | 6 | | | | | | | |
| 13 | 1 | 129489-21590 | FLYWHEEL ASSY | 1 | | | | | | | |
| 16 | 2 | 119865-21600 | GEAR, RING | 1 | | | | | | | |
| 17 | 1 | 129005-22080 | PISTON ASSY | 4 | | | | | | | |
| 19 | 2 | 129005-22500 | RING SET, PISTON | 4 | | | | | | | |
| 23 | 1 | 129202-22300 | PIN, PISTON D26 L70 | 4 | | | | | | | |
| 24 | 1 | 22252-000260 | RING, 26 | 8 | | | | | | | |
| 25 | 1 | 729402-23100 | ROD ASSY, CONNECTING | 4 | | | | | | | |
| 29 | 2 | 129100-23910 | BEARING, PISTON PIN | 4 | | | | | | | 1 |
| 30 | 2 | 121550-23200 | BOLT, CONNECTING ROD | 8 | | | | | | | |
| 31 | 2 | 129150-23600 | BEARING, CRANK PIN | 4 | | | | | | | |
| 33 | 1 | 129005-22900 | PISTON ASSY, 0.25 OS | 4 | | | | | | | 2 |
| 35 | 2 | 129005-22950 | RING SET, 0.25 OS | 4 | | | | | | | 2 |
| 39 | 1 | 129150-23610 | BEARING, 0.25 US | 4 | | | | | | | 3 |

Remarks

- (1) REPAIR PART.
- (2) OVER-SIZE(O.S=0.25)PART.
- (3) UNDER-SIZE(U.S=0.25)PART.

Y00V9490



(A)=4TNV88-XVS

(B)=

(C)=

(D)=

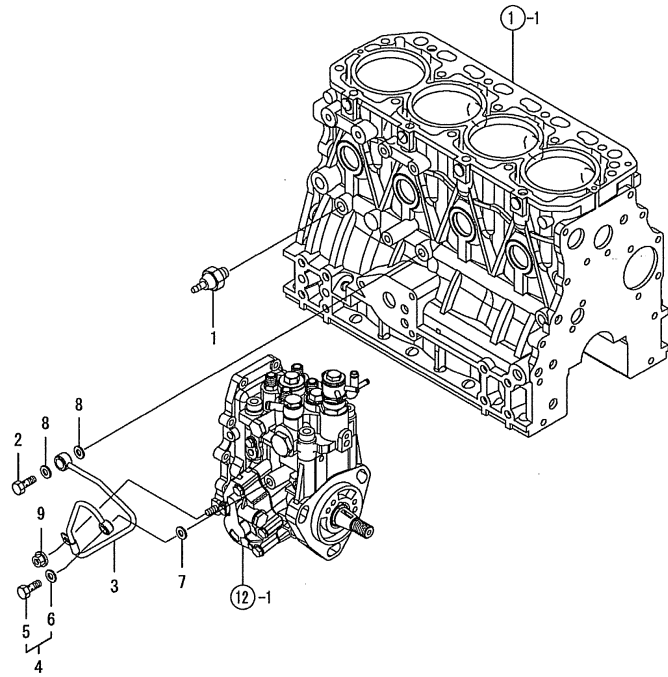
(E)=

(F)=

| No. | Lev. | Parts No. | Description | Q'ty | | | | | | I | R |
|------|------|--------------|----------------------|------|-----|-----|-----|-----|-----|---|---|
| | | | | (A) | (B) | (C) | (D) | (E) | (F) | | |
| 1 | 1 | 129601-34801 | DIPSTICK, OIL | 1 | | | | | | | |
| 2 | 1 | 119802-34850 | GUIDE, DIPSTICK | 1 | | | | | | | |
| 3 | 1 | 129150-35042 | GASKET | 1 | | | | | | | |
| 4 | 1 | 129436-35091 | PIPE ASSY, OIL INLET | 1 | | | | | | | |
| 5 | 1 | 26106-080352 | BOLT, M8X 35 PLATED | 2 | | | | | | | |
| 6 | 1 | 119260-34810 | GUIDE, DIPSTICK | 1 | | | | | | | |
| 7 | 1 | 24311-240100 | O-RING, 1AP10A | 1 | | | | | | | |
| 8 | 1 | 26106-080162 | BOLT, M8X 16 PLATED | 1 | | | | | | | |
| 9 | 1 | 129067-33011 | COOLER ASSY, OIL | 1 | | | | | | | |
| 10 | 1 | 129417-33110 | NUT | 1 | | | | | | | |
| 11 | 1 | 129033-35100 | BRACKET ASSY | 1 | | | | | | | |
| 13 | 2 | 129417-35150 | STUD, L=67 | 1 | | | | | | | |
| 14 | 2 | 129033-01770 | PLUG, NPT1/2 | 2 | | | | | | | |
| 15 | 1 | 129103-35122 | GASKET | 1 | | | | | | | |
| 16 | 1 | 26106-080252 | BOLT, M8X 25 PLATED | 3 | | | | | | | |
| 17 | 1 | 129006-44480 | JOINT | 1 | | | | | | | |
| 18 | 1 | 171056-49120 | PLUG, DRAIN | 1 | | | | | | | |
| 19 | 1 | 129033-49030 | PIPE ASSY, WATER | 1 | | | | | | | |
| 20 | 2 | 171008-03990 | CLIP, HOSE 18.5 | 2 | | | | | | | |
| 22 | 1 | 129608-49060 | PIPE ASSY, WATER | 1 | | | | | | | |
| 23 | 2 | 129608-49090 | TUBE, CORRUGATED | 1 | | | | | | | |
| 25 | 1 | 23080-018000 | CLAMP, 18 | 2 | | | | | | | |
| 26 | 1 | 129466-49300 | ELBOW, PT3/8 | 1 | | | | | | | |
| 27 | 1 | 129602-35150 | FILTER ASSY, D80X80L | 1 | | | | | | | |
| 28 | 2 | 129602-07020 | LABEL, OIL FILTER | 1 | | | | | | | |
| 29 | 2 | 129150-35152 | FILTER, D80XL80 | 1 | | | | | | | |
| 29-1 | 2 | 129150-35160 | FILTER, D80XL80 | 1 | | | | | | | N |

(A)="2006.06.)

Y00V9490

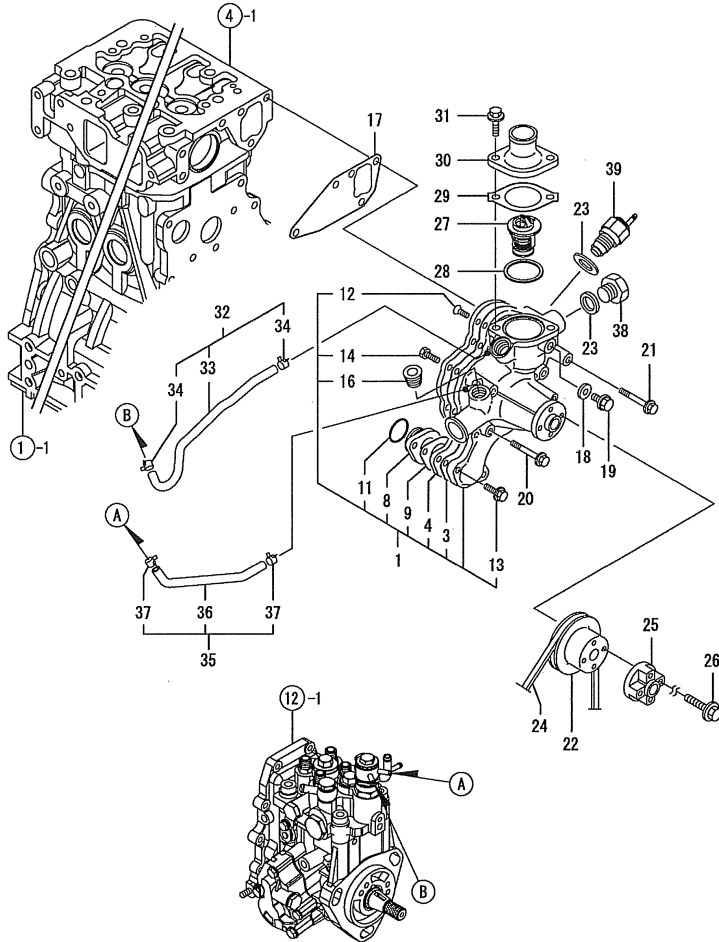


(A)=4TNV88-XVS
(B)=
(C)=

(D)=
(E)=
(F)=

| No. | Lev. | Parts No. | Description | Q'ty | | | | | | I | R |
|-----|------|--------------|----------------------|------|-----|-----|-----|-----|-----|---|---|
| | | | | (A) | (B) | (C) | (D) | (E) | (F) | | |
| 1 | 1 | 114250-39450 | SWITCH, 0.5KG | 1 | | | | | | | |
| 2 | 1 | 124160-39140 | BOLT, PIPE JOINT M10 | 1 | | | | | | | |
| 3 | 1 | 119802-39450 | PIPE ASSY, OIL | 1 | | | | | | | |
| 4 | 1 | 129005-59830 | BOLT ASSY, JOINT M8 | 1 | | | | | | | |
| 5 | 2 | 23857-030000 | BOLT, JOINT 3 | 1 | | | | | | | |
| 6 | 2 | 22190-080002 | WASHER, SEAL 6 | 1 | | | | | | | |
| 7 | 1 | 22190-080002 | WASHER, SEAL 6 | 1 | | | | | | | |
| 8 | 1 | 22190-100002 | WASHER, SEAL 10 | 2 | | | | | | | |
| 9 | 1 | 26366-060002 | NUT, M6 | 1 | | | | | | | |

Y00V9490



(A)=4TNV88-XVS

(B)=

(C)=

(D)=

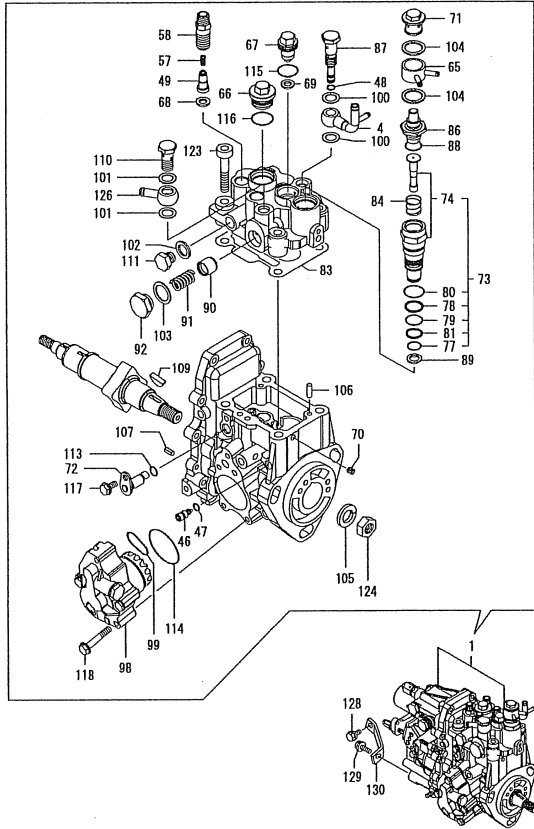
(E)=

(F)=

| No. | Lev. | Parts No. | Description | Q'ty | | | | | | I | R |
|-----|------|--------------|---------------------|------|-----|-----|-----|-----|-----|---|---|
| | | | | (A) | (B) | (C) | (D) | (E) | (F) | | |
| 1 | 1 | 129263-42000 | PUMP ASSY, WATER | 1 | | | | | | | |
| 3 | 2 | 129150-42059 | GASKET | 1 | | | | | | | |
| 4 | 2 | 129150-42129 | PLATE | 1 | | | | | | | |
| 8 | 2 | 129150-42300 | FLANGE | 1 | | | | | | | |
| 9 | 2 | 129150-42319 | GASKET | 1 | | | | | | | |
| 11 | 2 | 129054-42320 | O-RING | 1 | | | | | | | |
| 12 | 2 | 26577-060152 | SCREW, M6X15 | 3 | | | | | | | |
| 13 | 2 | 26106-060202 | BOLT, M6X 20 PLATED | 2 | | | | | | | |
| 14 | 2 | 26116-060162 | BOLT, M6X 16 PLATED | 3 | | | | | | | |
| 16 | 2 | 129916-49740 | PLUG, R03 | 2 | | | | | | | |
| 17 | 1 | 129486-42050 | GASKET, WATER PUMP | 1 | | | | | | | |
| 18 | 1 | 23414-080000 | GASKET, 8X1.0 | 1 | | | | | | | |
| 19 | 1 | 26106-080122 | BOLT, M8X 12 PLATED | 1 | | | | | | | |
| 20 | 1 | 26106-080552 | BOLT, M8X 55 PLATED | 3 | | | | | | | |
| 21 | 1 | 26106-080602 | BOLT, M8X 60 PLATED | 1 | | | | | | | |
| 22 | 1 | 129403-42380 | V-PULLEY, D=110 | 1 | | | | | | | |
| 23 | 1 | 124465-44950 | GASKET, 16 | 2 | | | | | | | |
| 24 | 1 | 25132-004100 | V-BELT, A41 | 1 | | | | | | | |
| 25 | 1 | 121267-44760 | SPACER | 1 | | | | | | | |
| 26 | 1 | 26106-060302 | BOLT, M6X 30 PLATED | 4 | | | | | | | |
| 27 | 1 | 129155-49801 | THERMOSTAT, 71 | 1 | | | | | | | |
| 28 | 1 | 129150-49811 | GASKET, THERMOSTAT | 1 | | | | | | | |
| 29 | 1 | 129795-49551 | GASKET | 1 | | | | | | | |
| 30 | 1 | 129350-49530 | COVER, THERMOSTAT | 1 | | | | | | | |
| 31 | 1 | 26106-080222 | BOLT, M8X 22 PLATED | 2 | | | | | | | |
| 32 | 1 | 129263-49610 | PIPE, WATER | 1 | | | | | | | |
| 33 | 2 | 129263-49710 | PIPE, WATER | 1 | | | | | | | |
| 34 | 2 | 124722-59050 | CLIP, HOSE 9 | 2 | | | | | | | |
| 35 | 1 | 129263-49620 | PIPE, WATER | 1 | | | | | | | |
| 36 | 2 | 129263-49720 | PIPE, WATER | 1 | | | | | | | |
| 37 | 2 | 124722-59050 | CLIP, HOSE 9 | 4 | | | | | | | |
| 38 | 1 | 121450-42450 | PLUG, M16 | 1 | | | | | | | |
| 39 | 1 | 121250-44901 | SWITCH, 110 | 1 | | | | | | | |

Y00V9490

REF. NO. 000Y00V9490-1
REVISED: 2006.09
REVISED: 8*P., 2006



Remarks
(1) GOVERNOR ASSY(FIG.13) IS
INCORPORATED IN THIS FOP.CMP
(REF.NO.1,1-1).

Remarks
(1) GOVERNOR ASSY(FIG.13) IS
INCORPORATED IN THIS FOP.CMP
(REF.NO.1,1-1).

(A)=4TNV88-XVS

(B)=

(C)=

(D)=

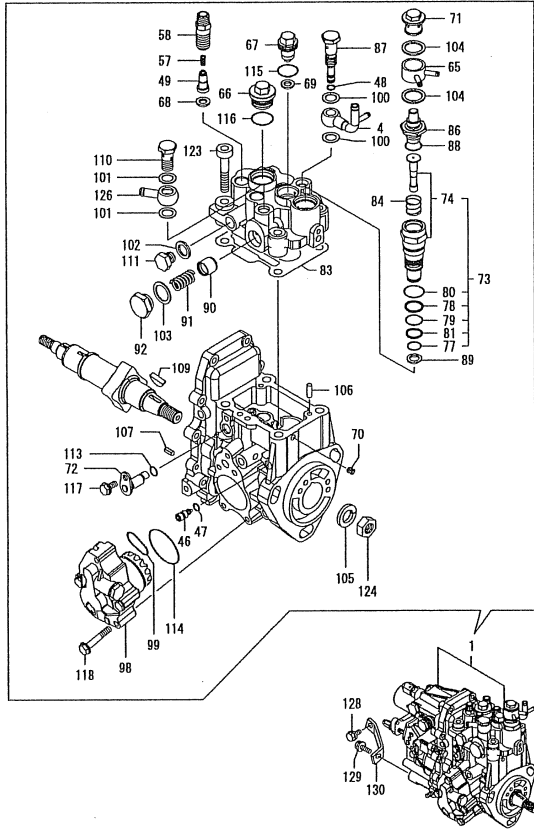
(E)=

(F)=

| No. | Lev. | Parts No. | Description | Q'ty | | | | | | I | R |
|--------------|------|--------------|----------------------|------|-----|-----|-----|-----|-----|---|-----|
| | | | | (A) | (B) | (C) | (D) | (E) | (F) | | |
| 1 | 1 | 729602-51320 | PUMP ASSY, INJECTION | 1 | | | | | | | 1 |
| 1-1 | 1 | 729602-51330 | PUMP ASSY, INJECTION | 1 | | | | | | | N 1 |
| (A=FROM 1ST) | | | | | | | | | | | |
| 4 | 2 | 158552-51670 | JOINT, OVER FLOW | 1 | | | | | | | |
| 46 | 2 | 158600-51270 | STOPPER, TAPPET | 1 | | | | | | | |
| 47 | 2 | 158563-51281 | O-RING, 4D S6 | 1 | | | | | | | |
| 48 | 2 | 158563-51281 | O-RING, 4D S6 | 1 | | | | | | | |
| 49 | 2 | 158560-51300 | VALVE ASSY, DELIVERY | 4 | | | | | | | |
| 57 | 2 | 158563-51330 | SPRING, DELIVERY | 4 | | | | | | | |
| 58 | 2 | 158601-51340 | HOLDER, DELIVERY | 4 | | | | | | | |
| 65 | 2 | 158553-51551 | JOINT | 1 | | | | | | | |
| 66 | 2 | 158601-51550 | PLUG | 1 | | | | | | | |
| 67 | 2 | 119802-51560 | PLUG, BARREL | 1 | | | | | | | |
| 68 | 2 | 158552-51570 | GASKET | 4 | | | | | | | |
| 69 | 2 | 158552-51570 | GASKET | 1 | | | | | | | |
| 70 | 2 | 158557-51570 | PLUG | 1 | | | | | | | |
| 71 | 2 | 158601-51570 | PLUG | 1 | | | | | | | |
| 72 | 2 | 158552-51580 | LIFTER | 1 | | | | | | | |
| 73 | 2 | 119802-51590 | TIMER SET | 1 | | | | | | | |
| 74 | 3 | 119802-51600 | TIMER ASSY | 1 | | | | | | | |
| 77 | 3 | 158553-51670 | O-RING, 1011 | 1 | | | | | | | |
| 78 | 3 | 119802-51680 | RING, BACK UP | 1 | | | | | | | |
| 79 | 3 | 119802-51690 | O-RING | 1 | | | | | | | |
| 80 | 3 | 24356-010200 | O-RING, 4D1020 | 1 | | | | | | | |
| 81 | 3 | 24372-000150 | RING, BACK UP T2P15 | 1 | | | | | | | |
| 83 | 2 | 158552-51600 | GASKET | 1 | | | | | | | |
| 84 | 2 | 158553-51630 | SPRING, TIMER | 1 | | | | | | | |
| 86 | 2 | 158553-51640 | ELEMENT | 1 | | | | | | | |
| 87 | 2 | 158601-51650 | JOINT, OVER FLOW | 1 | | | | | | | |
| 88 | 2 | 158553-51660 | O-RING, P14 | 1 | | | | | | | |
| 89 | 2 | 158553-51680 | GASKET | 1 | | | | | | | |
| 90 | 2 | 158601-51770 | PISTON | 1 | | | | | | | |
| 91 | 2 | 158552-51780 | SPRING | 1 | | | | | | | |
| 92 | 2 | 158601-51790 | PLUG | 1 | | | | | | | |
| 98 | 2 | 158552-52100 | PUMP ASSY, FUEL FEED | 1 | | | | | | | |
| 99 | 2 | 158552-52310 | O-RING | 1 | | | | | | | |
| 100 | 2 | 22190-120002 | WASHER, SEAL 12 | 2 | | | | | | | |
| 101 | 2 | 22190-120002 | WASHER, SEAL 12 | 2 | | | | | | | |
| 102 | 2 | 22190-120002 | WASHER, SEAL 12 | 2 | | | | | | | |
| 103 | 2 | 22190-180002 | WASHER, SEAL 18 | 1 | | | | | | | |
| 104 | 2 | 22190-180002 | WASHER, SEAL 18 | 2 | | | | | | | |
| 105 | 2 | 22217-140000 | WASHER, SPRING 14 | 1 | | | | | | | |
| 106 | 2 | 22312-050140 | PIN, PARALLEL M5X14 | 2 | | | | | | | |
| 107 | 2 | 22351-050010 | PIN, SPRING 5.0X10 | 2 | | | | | | | |
| 109 | 2 | 119802-51090 | KEY, 4X16 | 1 | | | | | | | |
| 110 | 2 | 23857-060000 | BOLT, JOINT 6 | 1 | | | | | | | |
| 111 | 2 | 23887-120002 | PLUG, 12 | 1 | | | | | | | |
| 113 | 2 | 24311-000070 | O-RING, 1AP7.0 | 1 | | | | | | | |
| 114 | 2 | 158552-52400 | O-RING, 4E S42 | 1 | | | | | | | |
| 115 | 2 | 24356-010180 | O-RING, 4D1018 | 1 | | | | | | | |
| 116 | 2 | 24356-010200 | O-RING, 4D1020 | 1 | | | | | | | |

Y00V9490

REF. NO. 000Y00V9490-1
REVISED: 2006.09
REVISED: 8.p.p., 2006



Remarks
(1) GOVERNOR ASSY(FIG.13) IS
INCORPORATED IN THIS FOP.CMP
(REF.NO.1,1-1).

(A)=4TNV88-XVS
(B)=
(C)=

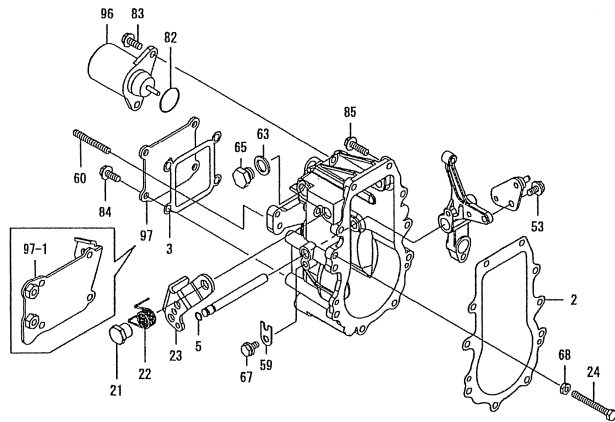
(D)=
(E)=
(F)=

| No. | Lev. | Parts No. | Description | Q'ty | | | | | | I | R |
|-----|------|--------------|---------------------|------|-----|-----|-----|-----|-----|---|---|
| | | | | (A) | (B) | (C) | (D) | (E) | (F) | | |
| 117 | 2 | 26106-060102 | BOLT, M6X 10 PLATED | 1 | | | | | | | |
| 118 | 2 | 158553-51770 | BOLT | 4 | | | | | | | |
| 123 | 2 | 26450-080452 | BOLT, M8X 45 | 4 | | | | | | | |
| 124 | 2 | 26776-140002 | NUT, LOCK M14 | 1 | | | | | | | |
| 126 | 2 | 129916-59020 | JOINT, PIPE 12 | 1 | | | | | | | |
| 128 | 1 | 26106-080162 | BOLT, M8X 16 PLATED | 1 | | | | | | | |
| 129 | 1 | 26106-080202 | BOLT, M8X 20 PLATED | 1 | | | | | | | |
| 130 | 1 | 129601-51250 | RETAINER, PUMP | 1 | | | | | | | |

Remarks
(1) GOVERNOR ASSY(FIG.13) IS
INCORPORATED IN THIS FOP.CMP
(REF.NO.1,1-1).

Y00V9490

Rev. No. 000Y00V9490-1
REVISED: 2005.08
REVISED: Sep., 2005



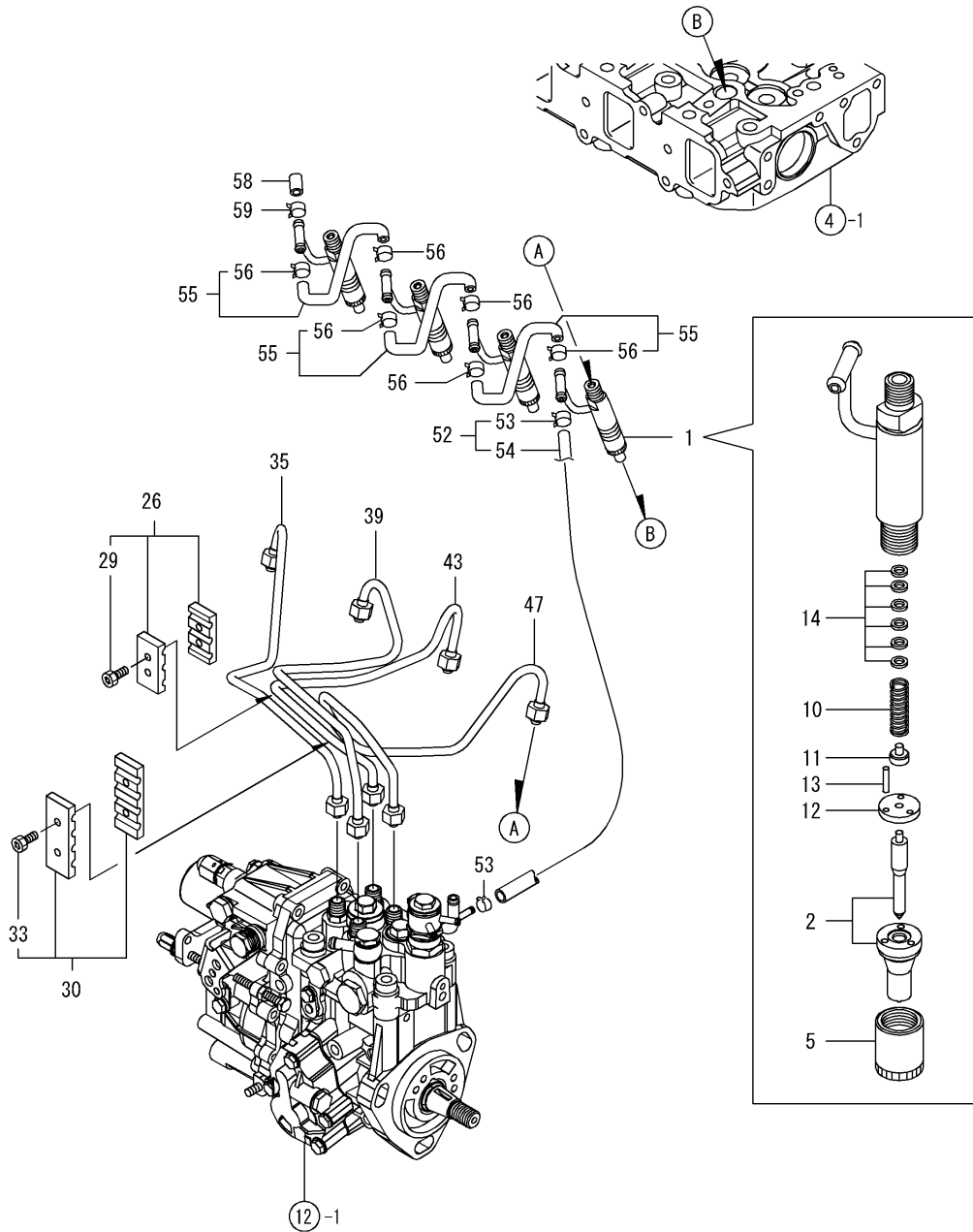
Remarks
* THIS FIGURE(GOVERNOR ASSY)IS
INCORPORATED IN THE FUEL INJECTION
PUMP ASSY(FIG.12).

(A)=4TNV88-XVS
(B)=
(C)=

(D)=
(E)=
(F)=

| No. | Lev. | Parts No. | Description | Q'ty | | | | | | I | R |
|--------------|------|--------------|----------------------|------|-----|-----|-----|-----|-----|---|---|
| | | | | (A) | (B) | (C) | (D) | (E) | (F) | | |
| 2 | 2 | 158553-61050 | GASKET | 1 | | | | | | | |
| 3 | 2 | 158553-61070 | GASKET | 1 | | | | | | | |
| 5 | 2 | 129155-51280 | O-RING, S6 | 1 | | | | | | | |
| 21 | 2 | 129255-61410 | NUT, LOCK | 1 | | | | | | | |
| 22 | 2 | 119807-61420 | SPRING, RETURN | 1 | | | | | | | |
| 23 | 2 | 158552-61441 | LEVER, REGULATOR | 1 | | | | | | | |
| 24 | 2 | 129155-61460 | BOLT, IDLE | 1 | | | | | | | |
| 53 | 2 | 26106-060102 | BOLT, M6X 10 PLATED | 1 | | | | | | | |
| 59 | 2 | 119660-61901 | RETAINER, SHAFT | 1 | | | | | | | |
| 60 | 2 | 171002-66830 | SCREW | 1 | | | | | | | |
| 63 | 2 | 22190-120000 | WASHER, SEAL 12 | 1 | | | | | | | |
| 65 | 2 | 23887-120002 | PLUG, 12 | 1 | | | | | | | |
| 67 | 2 | 26106-060102 | BOLT, M6X 10 PLATED | 1 | | | | | | | |
| 68 | 2 | 26756-060002 | NUT, LOCK M6 | 1 | | | | | | | |
| 82 | 2 | 24341-000280 | O-RING, 1AS28.0 | 1 | | | | | | | |
| 82-1 | 2 | 158552-61900 | O-RING | 1 | | | | | | | N |
| (A=EXXXXX) | | | | | | | | | | | |
| 83 | 2 | 26106-060142 | BOLT, M6X 14 PLATED | 2 | | | | | | | |
| 84 | 2 | 26106-060142 | BOLT, M6X 14 PLATED | 4 | | | | | | | |
| 85 | 2 | 26106-060202 | BOLT, M6X 20 PLATED | 10 | | | | | | | |
| 96 | 2 | 119653-77950 | SOLENOID, STOP | 1 | | | | | | | |
| 97 | 2 | 129642-61060 | COVER, GOVERNOR CASE | 1 | | | | | | | |
| 97-1 | 2 | 158552-61061 | COVER, GOVERNOR CASE | 1 | | | | | | | N |
| (A=FROM 1ST) | | | | | | | | | | | |

Remarks
* THIS FIGURE(GOVERNOR ASSY)IS
INCORPORATED IN THE FUEL INJECTION
PUMP ASSY(FIG.12).



(A)=4TNV88-XVS

(B)=

(C)=

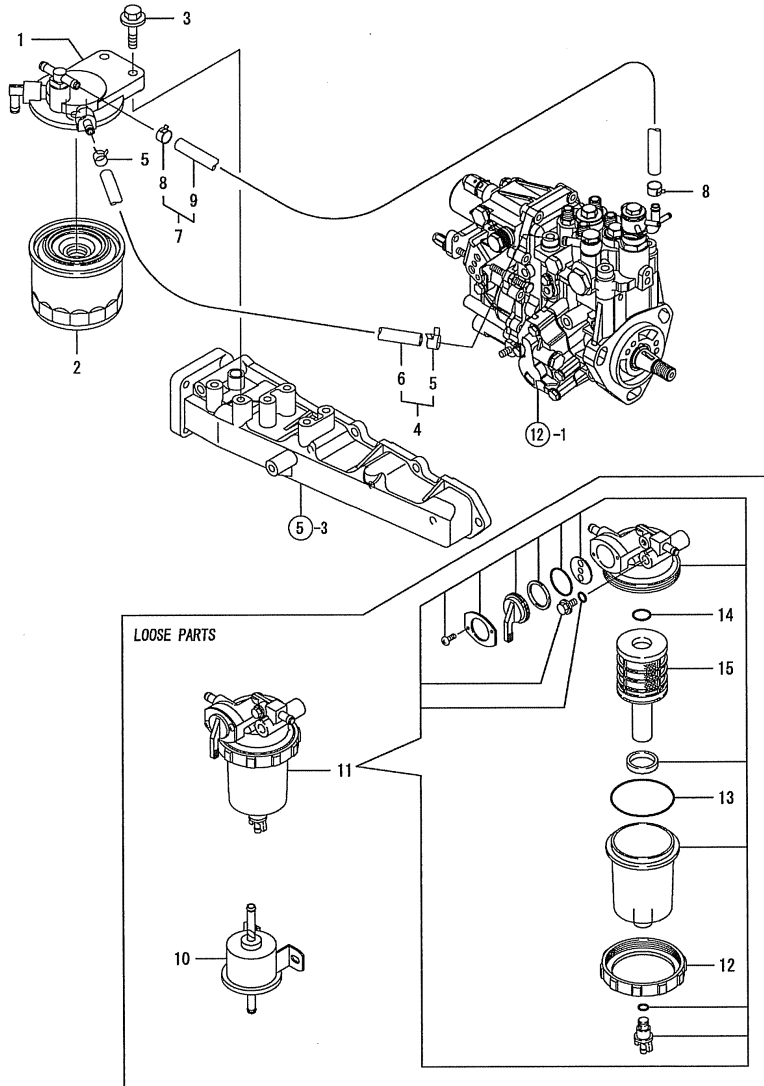
(D)=

(E)=

(F)=

| No. | Lev. | Parts No. | Description | Q'ty | | | | | | I | R |
|-----|------|--------------|----------------------|------|-----|-----|-----|-----|-----|---|---|
| | | | | (A) | (B) | (C) | (D) | (E) | (F) | | |
| 1 | 1 | 729645-53100 | VALVE ASSY,INJECTION | 4 | | | | | | | |
| 2 | 2 | 129602-53001 | VALVE ASSY,INJECTION | 4 | | | | | | | |
| 5 | 2 | 114250-53080 | NUT, NOZZLE D16.95 | 4 | | | | | | | |
| 10 | 2 | 114250-53120 | SPRING, NOZZLE | 4 | | | | | | | |
| 11 | 2 | 114250-53130 | SEAT, SPRING | 4 | | | | | | | |
| 12 | 2 | 114250-53140 | PLATE | 4 | | | | | | | |
| 13 | 2 | 114250-53210 | PIN | 8 | | | | | | | |
| 14 | 2 | 114250-53400 | SHIM SET | 4 | | | | | | | |
| 26 | 1 | 129150-59120 | RETAINER, PIPE | 1 | | | | | | | |
| 29 | 2 | 129150-59131 | BOLT, M4X14 | 2 | | | | | | | |
| 30 | 1 | 129550-59120 | RETAINER, PIPE | 1 | | | | | | | |
| 33 | 2 | 129150-59131 | BOLT, M4X14 | 2 | | | | | | | |
| 35 | 1 | 129601-59810 | PIPE ASSY, INJECTION | 1 | | | | | | | |
| 39 | 1 | 129601-59820 | PIPE ASSY, INJECTION | 1 | | | | | | | |
| 43 | 1 | 129601-59830 | PIPE ASSY, INJECTION | 1 | | | | | | | |
| 47 | 1 | 129601-59840 | PIPE ASSY, INJECTION | 1 | | | | | | | |
| 52 | 1 | 119802-59550 | PIPE ASSY, RETURN | 1 | | | | | | | |
| 53 | 2 | 124722-59050 | CLIP, HOSE 9 | 2 | | | | | | | |
| 54 | 2 | 119802-59560 | PIPE, FUEL RETURN | 1 | | | | | | | |
| 55 | 1 | 129486-59551 | PIPE ASSY, RETURN | 3 | | | | | | | |
| 56 | 2 | 124722-59050 | CLIP, HOSE 9 | 6 | | | | | | | |
| 58 | 1 | 119593-59580 | CAP | 1 | | | | | | | |
| 59 | 1 | 124060-77680 | CLIP, HOSE 10 | 1 | | | | | | | |

Y00V9490



(A)=4TNV88-XVS

(B)=

(C)=

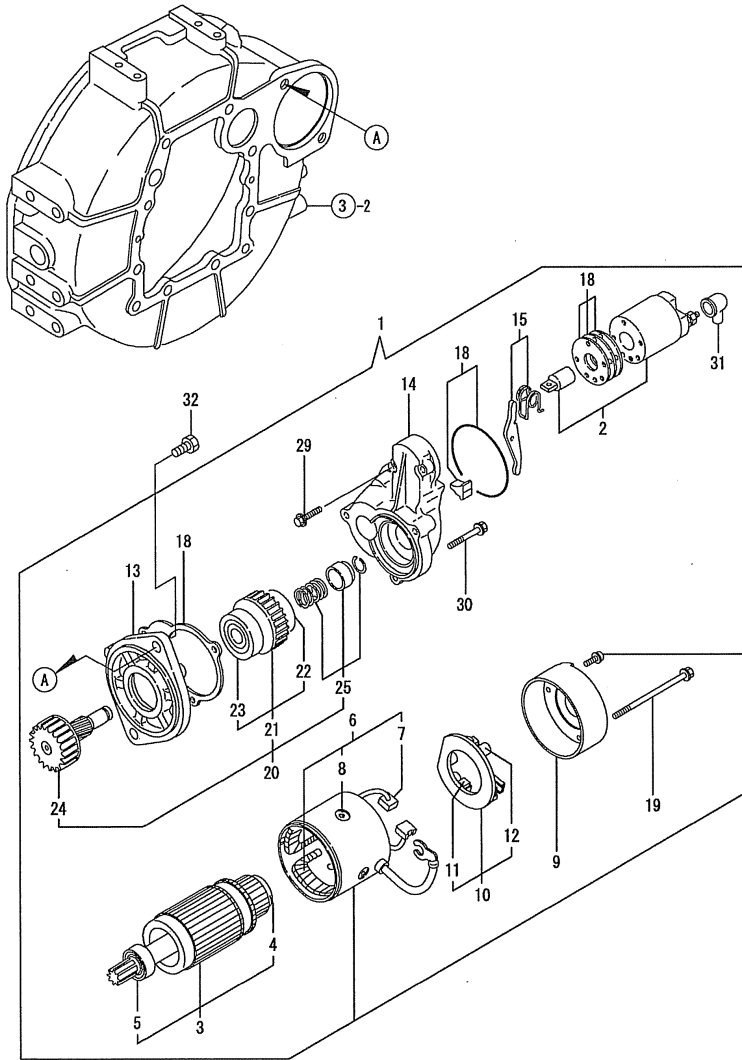
(D)=

(E)=

(F)=

| No. | Lev. | Parts No. | Description | Qty | | | | | | I | R |
|-----|------|--------------|----------------------|-----|-----|-----|-----|-----|-----|---|---|
| | | | | (A) | (B) | (C) | (D) | (E) | (F) | | |
| 1 | 1 | 129004-55610 | BRACKET, FILTER | 1 | | | | | | | |
| 2 | 1 | 129602-55800 | FILTER, FUEL | 1 | | | | | | | |
| 3 | 1 | 26106-080302 | BOLT, M8X 30 PLATED | 2 | | | | | | | |
| 4 | 1 | 129210-59090 | PIPE ASSY, FUEL | 1 | | | | | | | |
| 5 | 2 | 124766-59050 | CLIP, HOSE 12 | 2 | | | | | | | |
| 6 | 2 | 105325-59570 | PIPE, FUEL | 1 | | | | | | | |
| 7 | 1 | 129210-59150 | PIPE ASSY, FUEL | 1 | | | | | | | |
| 8 | 2 | 124766-59050 | CLIP, HOSE 12 | 2 | | | | | | | |
| 9 | 2 | 105025-59530 | PIPE, FUEL D13X400 | 1 | | | | | | | |
| 10 | 1 | 119225-52102 | PUMP ASSY, FUEL FEED | 1 | | | | | | | |
| 11 | 1 | 119802-55700 | SEPARATOR ASSY | 1 | | | | | | | |
| 12 | 2 | 129100-55690 | RING, RETAINING | 1 | | | | | | | |
| 13 | 2 | 24321-000650 | O-RING, 1AG65.0 | 1 | | | | | | | |
| 14 | 2 | 24311-000160 | O-RING, 1AP16.0 | 1 | | | | | | | |
| 15 | 2 | 119802-55710 | ELEMENT | 1 | | | | | | | |

Y00V9490



(A)=4TNV88-XVS

(B)=

(C)=

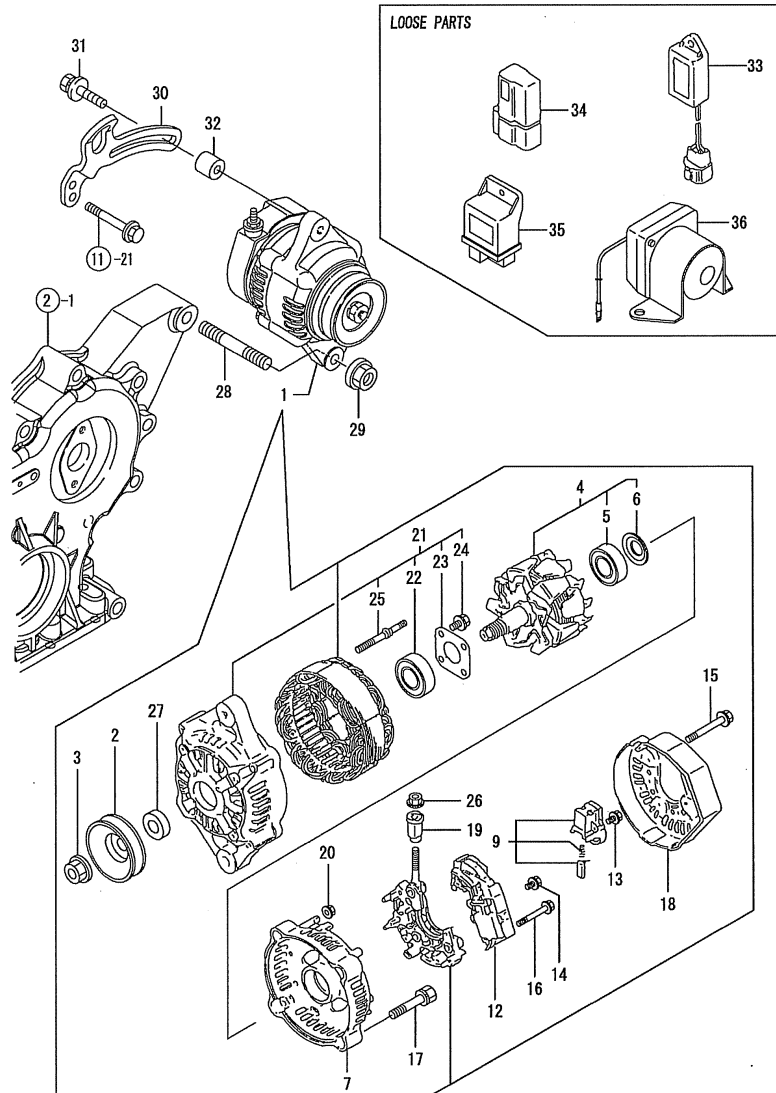
(D)=

(E)=

(F)=

| No. | Lev. | Parts No. | Description | Qty | | | | | | I | R |
|-----|------|--------------|----------------------|-----|-----|-----|-----|-----|-----|---|---|
| | | | | (A) | (B) | (C) | (D) | (E) | (F) | | |
| 1 | 1 | 129136-77011 | STARTER | 1 | | | | | | | |
| 2 | 2 | 129136-77310 | SWITCH ASSY | 1 | | | | | | | |
| 3 | 2 | 129900-77400 | ARMATURE ASSY | 1 | | | | | | | |
| 4 | 3 | X2130350900 | BEARING, BALL | 1 | | | | | | | |
| 5 | 3 | X2114255110 | BEARING, BALL | 1 | | | | | | | |
| 6 | 2 | 129900-77440 | COIL ASSY, FIELD | 1 | | | | | | | |
| 7 | 3 | 129900-77450 | BRUSH | 2 | | | | | | | |
| 8 | 3 | 171008-77450 | SCREW | 4 | | | | | | | |
| 9 | 2 | 129900-77460 | COVER | 1 | | | | | | | |
| 10 | 2 | 129900-77480 | HOLDER ASSY, BRUSH | 1 | | | | | | | |
| 11 | 3 | 129900-77450 | BRUSH | 2 | | | | | | | |
| 12 | 3 | 129400-77490 | SPRING | 4 | | | | | | | |
| 13 | 2 | 171008-77510 | CASE, GEAR | 1 | | | | | | | |
| 14 | 2 | 129136-77520 | HOUSING | 1 | | | | | | | |
| 15 | 2 | 171008-77540 | LEVER SET | 1 | | | | | | | |
| 18 | 2 | 129400-77571 | COVER ASSY, DUST | 1 | | | | | | | |
| 19 | 2 | 129900-77640 | BOLT, THROUGH | 2 | | | | | | | |
| 20 | 2 | 171008-77650 | PINION ASSY | 1 | | | | | | | |
| 21 | 3 | X2114555500 | CLUTCH ASSY | 1 | | | | | | | |
| 22 | 4 | X2114955020 | BEARING, BALL | 1 | | | | | | | |
| 23 | 4 | X2240410100 | BEARING, BALL | 1 | | | | | | | |
| 24 | 3 | 171008-77660 | SHAFT | 1 | | | | | | | |
| 25 | 3 | 171008-77670 | STOPPER SET | 1 | | | | | | | |
| 29 | 2 | 26106-060322 | BOLT, M6X 32 PLATED | 2 | | | | | | | |
| 30 | 2 | 26106-060402 | BOLT, M6X 40 PLATED | 3 | | | | | | | |
| 31 | 2 | 171008-77750 | COVER | 1 | | | | | | | |
| 32 | 1 | 26116-120252 | BOLT, M12X 25 PLATED | 2 | | | | | | | |

Y00V9490



(A)=4TNV88-XVS

(B)=

(C)=

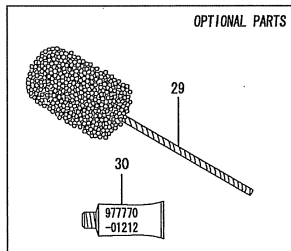
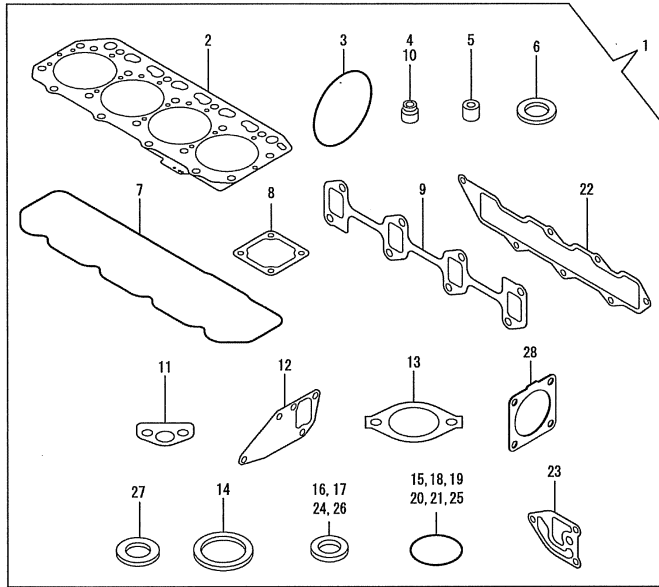
(D)=

(E)=

(F)=

| No. | Lev. | Parts No. | Description | Q'ty | | | | | | I | R |
|-----|------|--------------|---------------------|------|-----|-----|-----|-----|-----|---|---|
| | | | | (A) | (B) | (C) | (D) | (E) | (F) | | |
| 1 | 1 | 129961-77200 | GENERATOR, 12V-55A | 1 | | | | | | | |
| 2 | 2 | 119620-77461 | PULLEY | 1 | | | | | | | |
| 3 | 2 | 119620-77471 | NUT | 1 | | | | | | | |
| 4 | 2 | 129052-77380 | ROTOR ASSY | 1 | | | | | | | |
| 5 | 3 | 123501-79240 | BEARING, BALL | 1 | | | | | | | |
| 6 | 3 | 119620-79250 | COVER | 1 | | | | | | | |
| 7 | 2 | 128401-77440 | FRAME | 1 | | | | | | | |
| 9 | 2 | 129052-79270 | HOLDER, BRUSH | 1 | | | | | | | |
| 12 | 2 | 119620-77710 | REGULATOR ASSY | 1 | | | | | | | |
| 13 | 2 | 119620-79290 | SCREW | 6 | | | | | | | |
| 14 | 2 | 119620-79300 | SCREW | 1 | | | | | | | |
| 15 | 2 | 119620-79310 | BOLT | 3 | | | | | | | |
| 16 | 2 | 119620-79320 | SCREW | 2 | | | | | | | |
| 17 | 2 | 119620-79330 | BOLT | 2 | | | | | | | |
| 18 | 2 | 128401-77450 | COVER | 1 | | | | | | | |
| 19 | 2 | 119620-79340 | BUSH, INSULATION | 1 | | | | | | | |
| 20 | 2 | 119620-79350 | NUT | 2 | | | | | | | |
| 21 | 2 | 129961-77421 | FRAME ASSY | 1 | | | | | | | |
| 22 | 3 | 119620-79200 | BEARING, BALL | 1 | | | | | | | |
| 23 | 3 | 119620-79210 | PLATE, RETAINER | 1 | | | | | | | |
| 24 | 3 | 119620-79220 | SCREW | 4 | | | | | | | |
| 25 | 3 | 119620-79230 | STUD | 2 | | | | | | | |
| 26 | 2 | X9490561001 | NUT | 1 | | | | | | | |
| 27 | 2 | 119620-77490 | COLLAR | 1 | | | | | | | |
| 28 | 1 | 129795-01900 | STUD | 1 | | | | | | | |
| 29 | 1 | 26306-100002 | NUT, M10 | 1 | | | | | | | |
| 30 | 1 | 129107-77330 | ADJUSTER | 1 | | | | | | | |
| 31 | 1 | 129972-77341 | BOLT, ADJUSTER L=50 | 1 | | | | | | | |
| 32 | 1 | 124732-77340 | SPACER | 1 | | | | | | | |
| 33 | 1 | 129211-77920 | TIMER | 1 | | | | | | | |
| 34 | 1 | 119643-66900 | DIODE | 1 | | | | | | | |
| 35 | 1 | 119802-77200 | RELAY, SAFETY | 1 | | | | | | | |
| 36 | 1 | 129100-77910 | RELAY, MAGNETIC | 1 | | | | | | | |

Y00V9490



Remarks
(1) OPTIONAL PART.

(A)=4TNV88-XVS

(B)=

(C)=

(D)=

(E)=

(F)=

| No. | Lev. | Parts No. | Description | Q'ty | | | | | | I | R |
|-----|------|--------------|--------------------|------|-----|-----|-----|-----|-----|---|---|
| | | | | (A) | (B) | (C) | (D) | (E) | (F) | | |
| 1 | 1 | 729601-92830 | GASKET SET | 1 | | | | | | | 1 |
| 2 | 2 | 129407-01340 | GASKET, HEAD | 1 | | | | | | | |
| 3 | 2 | 121850-51960 | O-RING | 1 | | | | | | | |
| 4 | 2 | 124460-11340 | SEAL, VALVE STEM | 4 | | | | | | | |
| 5 | 2 | 119802-11870 | PROTECTOR, NOZZLE | 4 | | | | | | | |
| 6 | 2 | 119625-11880 | SEAT, NOZZLE | 4 | | | | | | | |
| 7 | 2 | 129601-11310 | GASKET, BONNET | 1 | | | | | | | |
| 8 | 2 | 129150-77511 | GASKET | 1 | | | | | | | |
| 9 | 2 | 129550-13110 | GASKET | 1 | | | | | | | |
| 10 | 2 | 121400-11340 | SEAL, VALVE STEM | 4 | | | | | | | |
| 11 | 2 | 129150-35042 | GASKET | 1 | | | | | | | |
| 12 | 2 | 129486-42050 | GASKET, WATER PUMP | 1 | | | | | | | |
| 13 | 2 | 129795-49551 | GASKET | 1 | | | | | | | |
| 14 | 2 | 129150-49811 | GASKET, THERMOSTAT | 1 | | | | | | | |
| 15 | 2 | 24311-240100 | O-RING, 1AP10A | 1 | | | | | | | |
| 16 | 2 | 22190-080002 | WASHER, SEAL 6 | 2 | | | | | | | |
| 17 | 2 | 124465-44950 | GASKET, 16 | 2 | | | | | | | |
| 18 | 2 | 24311-000120 | O-RING, 1AP12.0 | 3 | | | | | | | |
| 19 | 2 | 24311-000320 | O-RING, 1AP32.0 | 2 | | | | | | | |
| 20 | 2 | 24341-000240 | O-RING, 1AS24.0 | 1 | | | | | | | |
| 21 | 2 | 129486-42140 | O-RING, G30 | 1 | | | | | | | |
| 22 | 2 | 129407-12110 | GASKET, MANIFOLD | 1 | | | | | | | |
| 23 | 2 | 129103-35122 | GASKET | 1 | | | | | | | |
| 24 | 2 | 22190-220002 | WASHER, SEAL 22 | 1 | | | | | | | |
| 25 | 2 | 119609-32040 | O-RING, P16 | 4 | | | | | | | |
| 26 | 2 | 22190-100002 | WASHER, SEAL 10 | 2 | | | | | | | |
| 27 | 2 | 23414-080000 | GASKET, 8X1.0 | 1 | | | | | | | |
| 28 | 2 | 129930-13201 | GASKET, SILENCER | 1 | | | | | | | |
| 29 | 1 | 129400-92430 | HONE | 1 | | | | | | | 1 |
| 30 | 1 | 977770-01212 | GASKET, LIQUID | 1 | | | | | | | 1 |

Remarks
(1) OPTIONAL PART.



Parts No. Index

| Parts No. | Fig. No. | Ref. No. |
|--------------|----------|----------|
| 105025-59530 | 15 | 9 |
| 105325-59570 | 15 | 6 |
| 114250-39450 | 10 | 1 |
| 114250-53080 | 14 | 5 |
| 114250-53120 | 14 | 10 |
| 114250-53130 | 14 | 11 |
| 114250-53140 | 14 | 12 |
| 114250-53210 | 14 | 13 |
| 114250-53400 | 14 | 14 |
| 119131-18320 | 6 | 5 |
| 119225-52102 | 15 | 10 |
| 119260-34810 | 9 | 6 |
| 119593-59580 | 14 | 58 |
| 119609-32040 | 2 | 17 |
| | 18 | 25 |
| 119620-01750 | 3 | 3 |
| 119620-77461 | 17 | 2 |
| 119620-77471 | 17 | 3 |
| 119620-77490 | 17 | 27 |
| 119620-77710 | 17 | 12 |
| 119620-79200 | 17 | 22 |
| 119620-79210 | 17 | 23 |
| 119620-79220 | 17 | 24 |
| 119620-79230 | 17 | 25 |
| 119620-79250 | 17 | 6 |
| 119620-79290 | 17 | 13 |
| 119620-79300 | 17 | 14 |
| 119620-79310 | 17 | 15 |
| 119620-79320 | 17 | 16 |
| 119620-79330 | 17 | 17 |
| 119620-79340 | 17 | 19 |
| 119620-79350 | 17 | 20 |
| 119625-11880 | 4 | 20 |
| | 18 | 6 |
| 119640-01640 | 3 | 9 |
| 119643-66900 | 17 | 34 |
| 119653-77950 | 13 | 96 |
| 119660-61901 | 13 | 59 |
| 119802-01520 | 2 | 12 |
| 119802-01560 | 2 | 13 |
| 119802-03110 | 4 | 41 |
| 119802-03121 | 4 | 42 |
| 119802-03130 | 4 | 43 |
| 119802-03141 | 4 | 44 |
| 119802-11260 | 4 | 26 |
| 119802-11270 | 4 | 27 |
| 119802-11870 | 4 | 19 |
| | 18 | 5 |
| 119802-21202 | 8 | 5 |
| 119802-21650 | 8 | 9 |

| Parts No. | Fig. No. | Ref. No. |
|--------------|----------|----------|
| 119802-25051 | 7 | 9 |
| 119802-25070 | 7 | 13 |
| 119802-25100 | 7 | 10 |
| 119802-25901 | 7 | 15 |
| 119802-32070 | 2 | 8 |
| 119802-32100 | 2 | 7 |
| 119802-32111 | 2 | 18 |
| 119802-32120 | 2 | 19 |
| 119802-32130 | 2 | 20 |
| 119802-34850 | 9 | 2 |
| 119802-39450 | 10 | 3 |
| 119802-51090 | 12 | 109 |
| 119802-51560 | 12 | 67 |
| 119802-51590 | 12 | 73 |
| 119802-51600 | 12 | 74 |
| 119802-51680 | 12 | 78 |
| 119802-51690 | 12 | 79 |
| 119802-55700 | 15 | 11 |
| 119802-55710 | 15 | 15 |
| 119802-59550 | 14 | 52 |
| 119802-59560 | 14 | 54 |
| 119802-77200 | 17 | 35 |
| 119807-61420 | 13 | 22 |
| 119865-21600 | 8 | 16 |
| 120130-11860 | 4 | 5 |
| 120270-54410 | 4 | 23 |
| 121023-01550 | 2 | 27 |
| 121111-21501 | 8 | 12 |
| 121250-44901 | 11 | 39 |
| 121267-44760 | 11 | 25 |
| 121400-11340 | 4 | 16 |
| | 18 | 10 |
| 121450-42450 | 11 | 38 |
| 121550-23200 | 8 | 30 |
| 121850-21680 | 8 | 11 |
| 121850-51960 | 2 | 21 |
| | 18 | 3 |
| 123501-79240 | 17 | 5 |
| 123900-13610 | 6 | 3 |
| 123900-13630 | 6 | 4 |
| 124060-01050 | 1 | 10 |
| 124060-77680 | 14 | 59 |
| 124160-01751 | 2 | 14 |
| | 4 | 50 |
| 124160-01910 | 1 | 5 |
| | 15 | |
| 124160-11360 | 4 | 52 |
| 124160-39140 | 10 | 2 |
| 124240-01871 | 2 | 15 |
| 124460-11340 | 4 | 17 |

| Parts No. | Fig. No. | Ref. No. |
|--------------|----------|----------|
| 124460-11340 | 18 | 4 |
| 124465-44950 | 11 | 23 |
| | 18 | 17 |
| 124722-59050 | 11 | 34 |
| | | 37 |
| | 14 | 53 |
| | | 56 |
| 124732-77340 | 17 | 32 |
| 124766-59050 | 15 | 5 |
| | | 8 |
| 128401-77440 | 17 | 7 |
| 128401-77450 | 17 | 18 |
| 129001-01250 | 1 | 11 |
| 129001-02930 | 1 | 25 |
| 129001-32330 | 2 | 11 |
| 129001-91841 | 2 | 22 |
| 129004-01190 | 1 | 33 |
| 129004-03010 | 4 | 39 |
| 129004-11650 | 4 | 31 |
| 129004-11900 | 4 | 21 |
| 129004-55610 | 15 | 1 |
| 129005-11100 | 4 | 10 |
| 129005-22080 | 8 | 17 |
| 129005-22500 | 8 | 19 |
| 129005-22900 | 8 | 33 |
| 129005-22950 | 8 | 35 |
| 129005-59830 | 10 | 4 |
| 129006-44480 | 9 | 17 |
| 129033-01770 | 9 | 14 |
| 129033-35100 | 9 | 11 |
| 129033-49030 | 9 | 19 |
| 129052-77380 | 17 | 4 |
| 129052-79270 | 17 | 9 |
| 129054-42320 | 11 | 11 |
| 129067-33011 | 9 | 9 |
| 129100-01580 | 3 | 1 |
| | | 15 |
| | 8 | 2 |
| 129100-01640 | 3 | 16 |
| 129100-11111 | 4 | 11 |
| 129100-23910 | 8 | 29 |
| 129100-55690 | 15 | 12 |
| 129100-77910 | 17 | 36 |
| 129103-35122 | 9 | 15 |
| | 18 | 23 |
| 129107-77330 | 17 | 30 |
| 129120-77501 | 5 | 8 |
| 129136-77011 | 16 | 1 |
| 129136-77310 | 16 | 2 |
| 129136-77520 | 16 | 14 |

| Parts No. | Fig. No. | Ref. No. |
|--------------|----------|----------|
| 129150-01200 | 1 | 31 |
| 129150-02020 | 1 | 7 |
| 129150-02450 | 7 | 4 |
| 129150-02870 | 1 | 34 |
| 129150-02930 | 1 | 28 |
| 129150-02940 | 1 | 37 |
| 129150-03070 | 4 | 40 |
| 129150-11230 | 4 | 32 |
| 129150-11280 | 4 | 28 |
| 129150-11370 | 4 | 18 |
| 129150-11750 | 4 | 34 |
| 129150-11810 | 4 | 7 |
| 129150-14101 | 7 | 7 |
| 129150-14200 | 7 | 1 |
| 129150-14400 | 7 | 2 |
| 129150-23600 | 8 | 31 |
| 129150-23610 | 8 | 39 |
| 129150-25301 | 7 | 16 |
| 129150-35042 | 9 | 3 |
| | 18 | 11 |
| 129150-35152 | 9 | 29 |
| 129150-35160 | 9 | 29 -1 |
| 129150-42059 | 11 | 3 |
| 129150-42129 | 11 | 4 |
| 129150-42300 | 11 | 8 |
| 129150-42319 | 11 | 9 |
| 129150-49811 | 11 | 28 |
| | 18 | 14 |
| 129150-59120 | 14 | 26 |
| 129150-59131 | 14 | 29 |
| | | 33 |
| 129150-77511 | 5 | 10 |
| | 18 | 8 |
| 129155-49801 | 11 | 27 |
| 129155-51280 | 13 | 5 |
| 129155-61460 | 13 | 24 |
| 129202-22300 | 8 | 23 |
| 129210-59090 | 15 | 4 |
| 129210-59150 | 15 | 7 |
| 129211-77920 | 17 | 33 |
| 129255-61410 | 13 | 21 |
| 129263-42000 | 11 | 1 |
| 129263-49610 | 11 | 32 |
| 129263-49620 | 11 | 35 |
| 129263-49710 | 11 | 33 |
| 129263-49720 | 11 | 36 |
| 129350-49530 | 11 | 30 |
| 129400-01730 | 3 | 6 |
| 129400-01770 | 3 | 8 |
| 129400-77490 | 16 | 12 |



Parts No. Index

| Parts No. | Fig. No. | Ref. No. |
|--------------|----------|----------|
| 129400-77571 | 16 | 18 |
| 129400-92430 | 18 | 29 |
| 129403-42380 | 11 | 22 |
| 129407-01340 | 1 | 32 |
| | 18 | 2 |
| 129407-12110 | 5 | 5 |
| | 18 | 22 |
| 129410-03990 | 5 | 2 |
| 129411-13100 | 6 | 1 |
| 129417-33110 | 9 | 10 |
| 129417-35150 | 9 | 13 |
| 129418-32320 | 2 | 10 |
| 129436-35091 | 9 | 4 |
| 129466-49300 | 9 | 26 |
| 129486-01670 | 3 | 19 |
| 129486-42050 | 11 | 17 |
| | 18 | 12 |
| 129486-42140 | 18 | 21 |
| 129486-59551 | 14 | 55 |
| 129489-21590 | 8 | 13 |
| 129550-13110 | 6 | 2 |
| | 18 | 9 |
| 129550-59120 | 14 | 30 |
| 129601-03080 | 5 | 1 |
| 129601-11241 | 4 | 25 |
| 129601-11251 | 4 | 29 |
| 129601-11310 | 4 | 47 |
| | 18 | 7 |
| 129601-11350 | 4 | 38 |
| 129601-12100 | 5 | 3 |
| 129601-21002 | 8 | 1 |
| 129601-34801 | 9 | 1 |
| 129601-51250 | 12 | 130 |
| 129601-59810 | 14 | 35 |
| 129601-59820 | 14 | 39 |
| 129601-59830 | 14 | 43 |
| 129601-59840 | 14 | 47 |
| 129602-07020 | 9 | 28 |
| 129602-11700 | 4 | 1 |
| 129602-35150 | 9 | 27 |
| 129602-53001 | 14 | 2 |
| 129602-55800 | 15 | 2 |
| 129608-49060 | 9 | 22 |
| 129608-49090 | 9 | 23 |
| 129612-01600 | 3 | 2 |
| 129642-61060 | 13 | 97 |
| 129688-01780 | 3 | 8 -1 |
| 129795-01780 | 3 | 18 |
| 129795-01800 | 2 | 6 |
| 129795-01900 | 17 | 28 |

| Parts No. | Fig. No. | Ref. No. |
|--------------|----------|----------|
| 129795-01950 | 2 | 16 |
| 129795-02411 | 1 | 14 |
| 129795-11120 | 4 | 12 |
| 129795-11180 | 4 | 13 |
| 129795-21661 | 8 | 10 |
| 129795-49551 | 11 | 29 |
| | 18 | 13 |
| 129900-07900 | 4 | 54 |
| 129900-32130 | 2 | 9 |
| 129900-77400 | 16 | 3 |
| 129900-77440 | 16 | 6 |
| 129900-77450 | 16 | 7 |
| | | 11 |
| 129900-77460 | 16 | 9 |
| 129900-77480 | 16 | 10 |
| 129900-77640 | 16 | 19 |
| 129916-49740 | 11 | 16 |
| 129916-59020 | 12 | 126 |
| 129930-13201 | 6 | 7 |
| | 18 | 28 |
| 129961-77200 | 17 | 1 |
| 129961-77421 | 17 | 21 |
| 129972-77341 | 17 | 31 |
| 158552-51151 | 7 | 18 |
| 158552-51570 | 12 | 68 |
| | | 69 |
| 158552-51580 | 12 | 72 |
| 158552-51600 | 12 | 83 |
| 158552-51670 | 12 | 4 |
| 158552-51780 | 12 | 91 |
| 158552-52100 | 12 | 98 |
| 158552-52310 | 12 | 99 |
| 158552-52400 | 12 | 114 |
| 158552-61061 | 13 | 97 -1 |
| 158552-61441 | 13 | 23 |
| 158552-61900 | 13 | 82 -1 |
| 158553-51551 | 12 | 65 |
| 158553-51630 | 12 | 84 |
| 158553-51640 | 12 | 86 |
| 158553-51660 | 12 | 88 |
| 158553-51670 | 12 | 77 |
| 158553-51680 | 12 | 89 |
| 158553-51770 | 12 | 118 |
| 158553-61050 | 13 | 2 |
| 158553-61070 | 13 | 3 |
| 158557-51570 | 12 | 70 |
| 158560-51300 | 12 | 49 |
| 158563-51281 | 12 | 47 |
| | | 48 |
| 158563-51330 | 12 | 57 |

| Parts No. | Fig. No. | Ref. No. |
|--------------|----------|----------|
| 158600-51270 | 12 | 46 |
| 158601-51340 | 12 | 58 |
| 158601-51550 | 12 | 66 |
| 158601-51570 | 12 | 71 |
| 158601-51650 | 12 | 87 |
| 158601-51770 | 12 | 90 |
| 158601-51790 | 12 | 92 |
| 171002-66830 | 13 | 60 |
| 171008-03990 | 9 | 20 |
| 171008-77450 | 16 | 8 |
| 171008-77510 | 16 | 13 |
| 171008-77540 | 16 | 15 |
| 171008-77650 | 16 | 20 |
| 171008-77660 | 16 | 24 |
| 171008-77670 | 16 | 25 |
| 171008-77750 | 16 | 31 |
| 171051-01921 | 1 | 6 |
| 171056-49120 | 9 | 18 |
| 22190-080002 | 10 | 6 |
| | | 7 |
| | 18 | 16 |
| 22190-100002 | 10 | 8 |
| | 18 | 26 |
| 22190-120000 | 13 | 63 |
| 22190-120002 | 12 | 100 |
| | | 101 |
| | | 102 |
| 22190-180002 | 12 | 103 |
| | | 104 |
| 22190-220002 | 3 | 11 |
| | 18 | 24 |
| 22217-140000 | 7 | 19 |
| | 12 | 105 |
| 22252-000260 | 8 | 24 |
| 22312-050140 | 12 | 106 |
| 22351-030010 | 8 | 8 |
| 22351-050010 | 12 | 107 |
| 22351-060012 | 4 | 22 |
| 22512-070140 | 7 | 8 |
| | 8 | 6 |
| 22857-500100 | 4 | 48 |
| | | 49 |
| 23080-018000 | 9 | 25 |
| 23414-080000 | 11 | 18 |
| | 18 | 27 |
| 23857-030000 | 10 | 5 |
| 23857-060000 | 12 | 110 |
| 23876-030000 | 2 | 4 |
| 23876-040000 | 2 | 5 |
| 23887-120002 | 12 | 111 |

| Parts No. | Fig. No. | Ref. No. |
|--------------|----------|----------|
| 23887-120002 | 13 | 65 |
| 24311-000070 | 12 | 113 |
| 24311-000120 | 4 | 53 |
| | 18 | 18 |
| 24311-000160 | 15 | 14 |
| 24311-000320 | 2 | 23 |
| | 4 | 51 |
| | 18 | 19 |
| 24311-240100 | 9 | 7 |
| | 18 | 15 |
| 24321-000650 | 15 | 13 |
| 24341-000240 | 2 | 28 |
| | 18 | 20 |
| 24341-000280 | 13 | 82 |
| 24356-010180 | 12 | 115 |
| 24356-010200 | 12 | 80 |
| | | 116 |
| 24372-000150 | 12 | 81 |
| 25132-004100 | 11 | 24 |
| 26106-060102 | 12 | 117 |
| | 13 | 53 |
| | | 67 |
| 26106-060142 | 13 | 83 |
| | | 84 |
| 26106-060162 | 2 | 29 |
| 26106-060202 | 11 | 13 |
| | 13 | 85 |
| 26106-060302 | 11 | 26 |
| 26106-060322 | 16 | 29 |
| 26106-060402 | 16 | 30 |
| 26106-080122 | 11 | 19 |
| 26106-080142 | 4 | 55 |
| | 7 | 17 |
| 26106-080162 | 2 | 24 |
| | | 25 |
| | 3 | 12 |
| | 9 | 8 |
| | 12 | 128 |
| 26106-080202 | 5 | 6 |
| | 12 | 129 |
| 26106-080222 | 11 | 31 |
| 26106-080252 | 3 | 13 |
| | 4 | 36 |
| | 9 | 16 |
| 26106-080302 | 15 | 3 |
| 26106-080352 | 3 | 20 |
| | 4 | 24 |
| | 5 | 9 |
| | 9 | 5 |
| 26106-080402 | 7 | 14 |



Parts No. Index

| Parts No. | Fig. No. | Ref. No. |
|--------------|----------|----------|
| 26106-080452 | 3 | 14 |
| | | 14 -1 |
| 26106-080502 | 3 | 22 |
| | 4 | 37 |
| 26106-080552 | 2 | 26 |
| | 11 | 20 |
| 26106-080602 | 11 | 21 |
| 26106-080802 | 5 | 7 |
| 26116-060162 | 11 | 14 |
| 26116-120252 | 16 | 32 |
| 26206-100252 | 3 | 4 |
| 26206-100302 | 3 | 5 |
| 26226-080182 | 4 | 35 |
| 26306-080002 | 2 | 31 |
| | 6 | 6 |
| 26306-100002 | 17 | 29 |
| 26366-060002 | 10 | 9 |
| 26450-080452 | 12 | 123 |
| 26577-060152 | 11 | 12 |
| 26756-060002 | 13 | 68 |
| 26776-140002 | 7 | 20 |
| | 12 | 124 |
| 27241-120000 | 1 | 12 |
| 27241-300000 | 1 | 13 |
| 27241-400000 | 4 | 9 |
| 27310-080001 | 4 | 14 |
| 719802-01500 | 2 | 1 |
| 729402-14580 | 7 | 3 |
| 729402-23100 | 8 | 25 |
| 729601-92830 | 18 | 1 |
| 729602-01560 | 1 | 1 |
| 729602-51320 | 12 | 1 |
| 729602-51330 | 12 | 1 -1 |
| 729645-53100 | 14 | 1 |
| 977770-01212 | 2 | 30 |
| | 3 | 21 |
| | 4 | 56 |
| | 18 | 30 |
| X2114255110 | 16 | 5 |
| X2114555500 | 16 | 21 |
| X2114955020 | 16 | 22 |
| X2130350900 | 16 | 4 |
| X2240410100 | 16 | 23 |
| X9490561001 | 17 | 26 |

| Parts No. | Fig. No. | Ref. No. |
|-----------|----------|----------|
|-----------|----------|----------|

| Parts No. | Fig. No. | Ref. No. |
|-----------|----------|----------|
|-----------|----------|----------|

| Parts No. | Fig. No. | Ref. No. |
|-----------|----------|----------|
|-----------|----------|----------|