

0CW10-M33300EN

P R E F A C E

1. This parts catalog is the 1st edition of 4TNV88-BKMS, 4TNV88-BKMSF for Gehl Ltd.

Pub. No. : 0CW10-G33300

Published : March, 2008

2. Model name

Engine model	Vehicle	Vehicle made by
4TNV88-BKMS 4TNV88-BKMSF	Skid-Steer Loader	Gehl Ltd.

Directions for the Parts Catalog.

1. This Parts Catalog shows both standard and optional parts.
2. Parts may change without prior notice.
3. The following is an example of the Parts Catalog format.

REF.	LEV.	PARTS NO.	DESCRIPTION	Q'TY						I	R
				(A)	(B)	(C)	(D)	(E)	(F)		
1	1	729595-51390	FUEL INJECTION PUMP	1	1	1	1	1			1
1-1	1	729595-51391	FUEL INJECTION PUMP	1	1	1	1	1		N	1
		(A=E00185) (B=E00200)									
3	2	26022-060162	SCREW M 6X 16	9	9	9	9	9			
3-1	2	26022-060162	SCREW M 6X 16	4	4	4	4	4		K	
		(A=E00156) (B=E00156) (C=E00156) (D=E00156) (E=E00156)									
4	2	129470-51040	CAMSHAFT	1	1	1	1	1			
5	2	122710-51050	BEARING, ROLLER	2	2	2	2	2			
6	2	129470-51060	RETAINER	1	1	1	1	1			

Remarks
(1) BOOST COMPEMSATOR TYPE. OPTIONAL PART, TO E00155,(4JH-DT, 4JH-DTZ

① Ref. No.

The Ref. No. listed may not be in accordance with the illustration Ref. No.

(Ex.) Illustration No. 1 List Ref No. 1 (Before change) → 1-1 (After change)

For interchangeable symbols N, R and K, illustrations for new parts may be abbreviated.

② Lev. (Level)

Level indication

The numbers below indicate the level of relativity towards the main part.

1 ---- Main parts (Assembly parts)

2 ---- Sub component included in " 1 ".

3 ---- Sub component included in " 2 ".

Note) Parts that are not for sale are partially illustrated but not listed.

③ Interchangeability Symbol

When a part change takes place, one of the following interchangeability symbols is indicated beside the part.

Symbol	Interchangeability	Contents note
N	Old $\begin{matrix} \leftarrow \text{Yes} \\ \text{No} \rightarrow \end{matrix}$ New	New Part is interchangeable for Old Part but Old Part is not interchangeable for New Part.
Q	Old $\begin{matrix} \leftarrow \text{No} \\ \text{Yes} \rightarrow \end{matrix}$ New	New Part is not interchangeable for Old Part but Old Part is interchangeable for New Part.
R	Old $\begin{matrix} \leftarrow \text{Yes} \\ \text{Yes} \rightarrow \end{matrix}$ New	New/ Old Parts are both interchangeable.
S	Old $\begin{matrix} \leftarrow \text{No} \\ \text{No} \rightarrow \end{matrix}$ New	New/ Old Parts are both not interchangeable.
W		Part newly added.
Z		Part discontinued.
F		Not interchangeable by a single part but interchangeable together with related parts.
K		Changes only for used parts quantities.

④ Effective Machine No.

When a part changes, the effective Machine No. will be indicated in the (A)-(F) column.

Product Symbol	Product No.	Product Symbol	Product No.
C	Clutch No. Compressor No.	F	Machine No. (Agricultural Equip.)
D	Drive No.	M	Machine No.
E	Engine No.		

Note 1) A date may follow the symbol. (Ex.) 1996.01

Note 2) "XXXXX" and "ZZZZZ" are for parts that could not be predicted or for engine models that could not be identified.

Note 3) (A=E00185) is the E (Engine Serial Number) for the column (A) model (in this case 4JH-DT) after the parts design change.

⑤ Remarks

Figures or alphabets (symbols) are entered in the remarks column.

The comments (remarks) on parts that are indicated at the bottom of the illustration are the same symbols as those stated above.

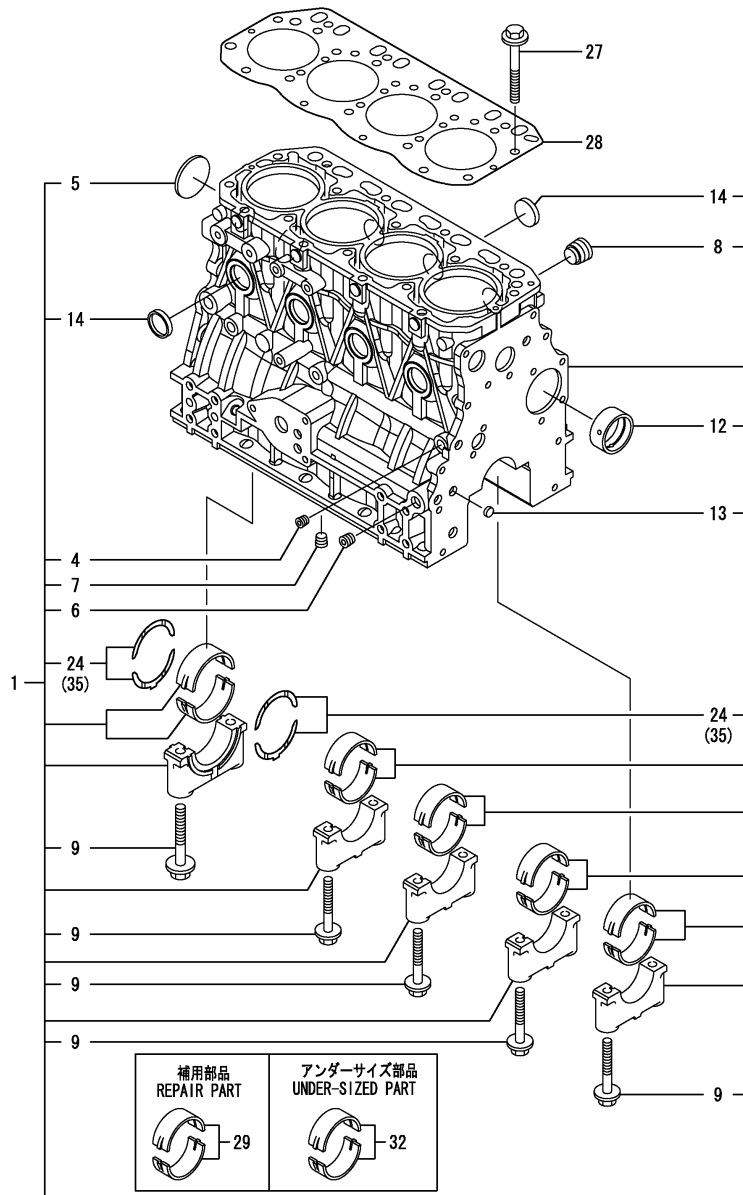
Fig. No. Fig. Name

4TNV88-BKMS

1. CYLINDER BLOCK
2. GEAR HOUSING
3. FLYWHEEL HOUSING & OIL SUMP
4. CYLINDER HEAD & BONNET
5. SUCTION MANIFOLD
6. EXHAUST MANIFOLD
7. CAMSHAFT & DRIVING GEAR
8. CRANKSHAFT & PISTON
9. LUB.OIL SYSTEM
10. COOLING WATER SYSTEM
11. FUEL INJECTION PUMP
12. GOVERNOR
13. FUEL INJECTION VALVE
14. FUEL LINE
15. STARTING MOTOR
16. GENERATOR
17. GASKET SET

Fig. No. Fig. Name





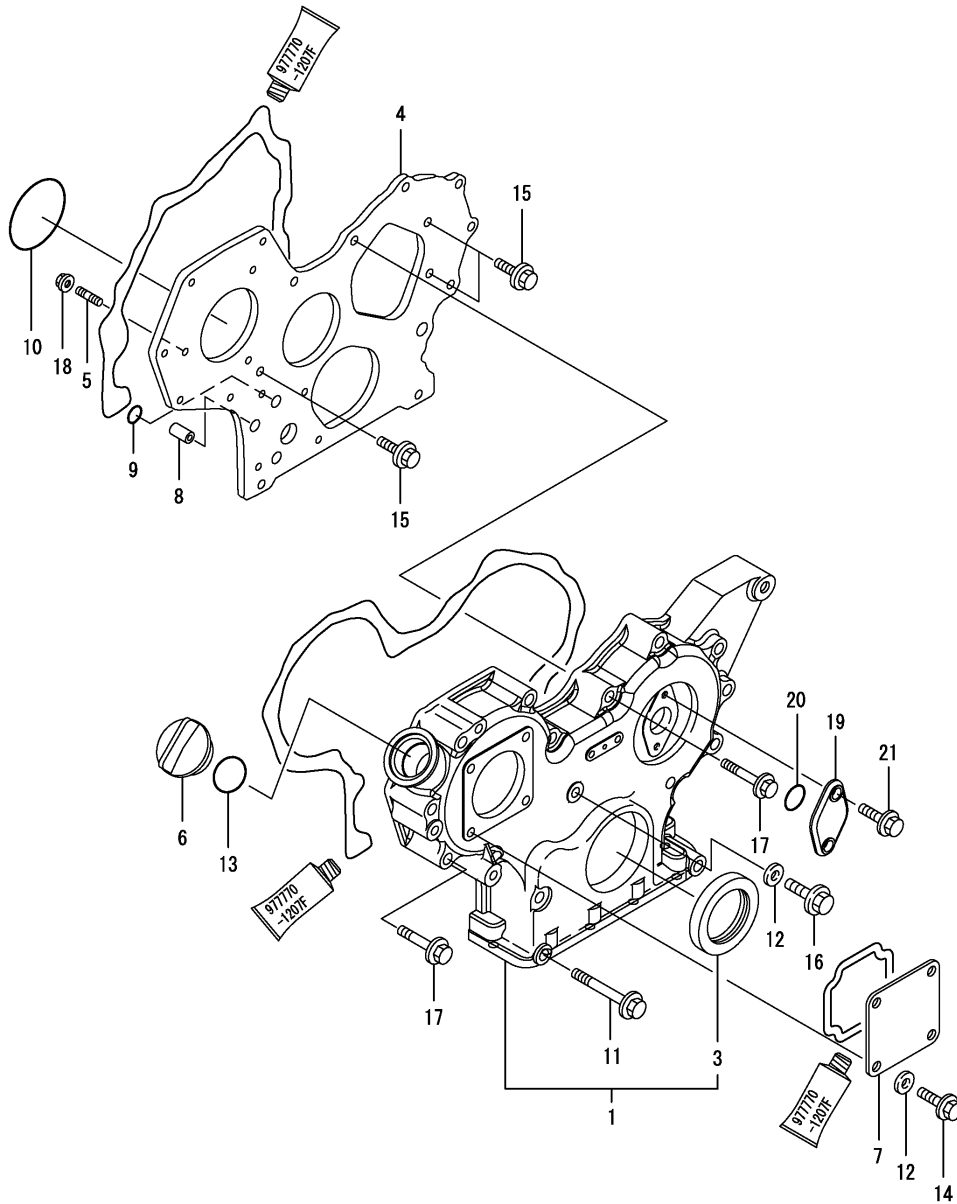
No.	Lev.	Parts No.	Description	Q'ty						I	R
				(A)	(B)	(C)	(D)	(E)	(F)		
1	1	729602-01560	BLOCK ASSY, CYLINDER	1	1						
4	2	124060-01050	PLUG, PT1/8	1	1						
5	2	129001-01250	PLUG, 50	1	1						
6	2	124160-01910	PLUG, PT1/4	2	2						
7	2	124160-01910	PLUG, PT1/4	1	1						
8	2	171051-01921	PLUG, NPTF1	1	1						
9	2	129150-02020	BOLT, METAL CAP	10	10						
12	2	129795-02412	BUSH, CAMSHAFT	1	1						
13	2	27241-120000	PLUG, 12	2	2						
14	2	27241-300000	PLUG 30	8	8						
24	2	129150-02931	BEARING, THRUST	2	2						
27	1	129150-01200	BOLT, HEAD	18	18						
28	1	129407-01340	GASKET, HEAD	1	1						
29	1	129001-02931	BEARING, MAIN	5	5						1
32	1	129150-02871	BEARING, 0.25 US	5	5						2
35	1	129150-02941	BEARING, THRUST 0.25	1	1						3

Remarks

- (1) REPAIR PART.
- (2) UNDER-SIZED(U.S=0.25)PART.
- (3) OVER-SIZED(O.S=0.25)PART.

(A)=4TNV88-BKMS
 (B)=4TNV88-BKMSF
 (C)=

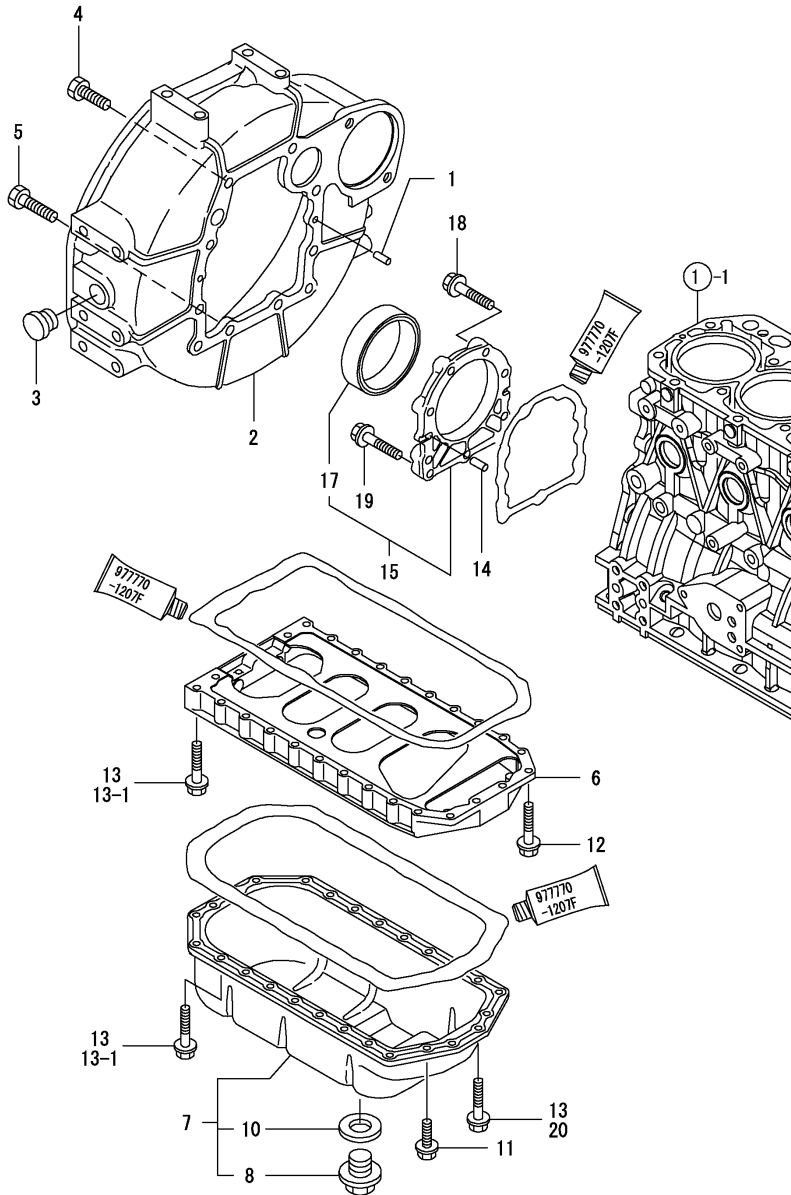
(D)=
 (E)=
 (F)=



No.	Lev.	Parts No.	Description	Q'ty						I	R
				(A)	(B)	(C)	(D)	(E)	(F)		
1	1	719803-01500	CASE ASSY, GEAR	1	1						
3	2	119934-01800	SEAL, OIL	1	1						
4	1	119803-01520	FLANGE, GEAR CASE	1	1						
5	1	119802-01561	STUD, M8X25	3	3						
6	1	124160-01751	COVER, FILLER	1	1						
7	1	124240-01871	COVER	1	1						
8	1	129795-01950	PIPE, KNOCK L=18	2	2						
9	1	119609-32040	O-RING, P16	2	2						
10	1	121850-51960	O-RING	1	1						
11	1	129001-91841	BOLT, M8X85	3	3						
12	1	22190-080002	WASHER, SEAL 6	5	5						
13	1	24311-000320	O-RING, 1AP32.0	1	1						
14	1	26106-080162	BOLT, M8X 16 PLATED	4	4						
15	1	26106-080162	BOLT, M8X 16 PLATED	3	3						
16	1	26106-080302	BOLT, M8X 30 PLATED	1	1						
17	1	26106-080552	BOLT, M8X 55 PLATED	12	12						
18	1	26306-080002	NUT, M8	3	3						
19	1	121023-01551	COVER	1	1						
20	1	24341-000240	O-RING, 1AS24.0	1	1						
21	1	26106-060162	BOLT, M6X 16 PLATED	2	2						

(A)=4TNV88-BKMS
(B)=4TNV88-BKMSF
(C)=

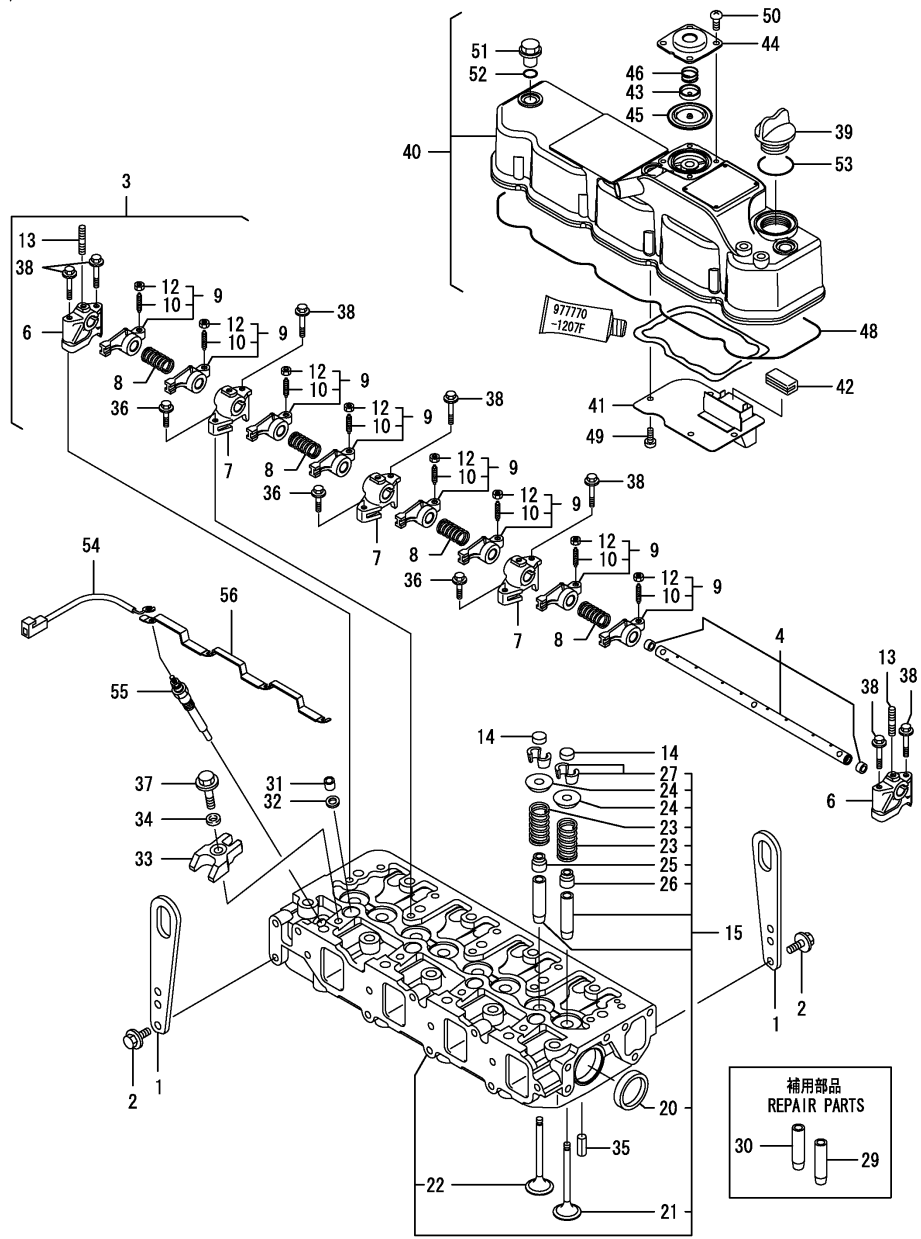
(D)=
(E)=
(F)=



No.	Lev.	Parts No.	Description	Q'ty						I	R
				(A)	(B)	(C)	(D)	(E)	(F)		
1	1	129100-01580	PIN, M8X16	2	2						
2	1	129612-01600	HOUSING, FLYWHEEL	1	1						
3	1	119620-01750	CAP	1	1						
4	1	26206-100252	BOLT, M10X 25 PLATED	6	6						
5	1	26206-100302	BOLT, M10X 30 PLATED	4	4						
6	1	129400-01730	SPACER, OIL SUMP	1	1						
7	1	129436-01780	SUMP ASSY, OIL	1	1						
8	2	119640-01640	PLUG, DRAIN M22	1	1						
10	2	22190-220002	WASHER, SEAL 22	1	1						
11	1	26106-080162	BOLT, M8X 16 PLATED	4	4						
12	1	26106-080252	BOLT, M8X 25 PLATED	2	2						
13	1	26106-080452	BOLT, M8X 45 PLATED	24	24						
13-1	1	26106-080452	BOLT, M8X 45 PLATED	20	20						K
		(A=FROM 1ST) (B=FROM 1ST)									
14	1	129100-01580	PIN, M8X16	2	2						
15	1	129100-01640	CASE ASSY, OIL SEAL	1	1						
17	2	129795-01780	SEAL, OIL	1	1						
18	1	129486-01670	BOLT, M8X30	6	6						
19	1	26106-080352	BOLT, M8X 35 PLATED	3	3						
20	1	26106-080502	BOLT, M8X 50 PLATED	4	4						W
		(A=FROM 1ST) (B=FROM 1ST)									

(A)=4TNV88-BKMS
(B)=4TNV88-BKMSF
(C)=

(D)=
(E)=
(F)=



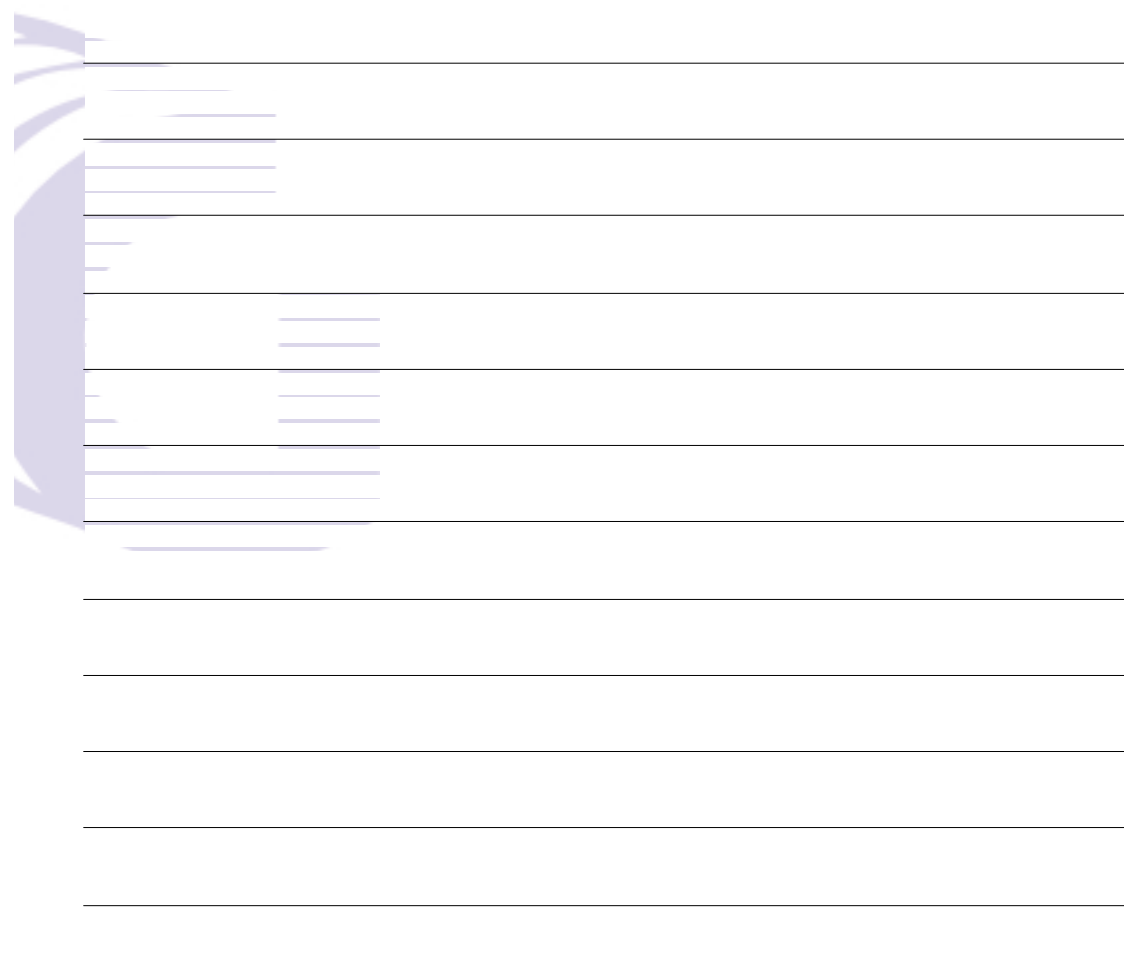
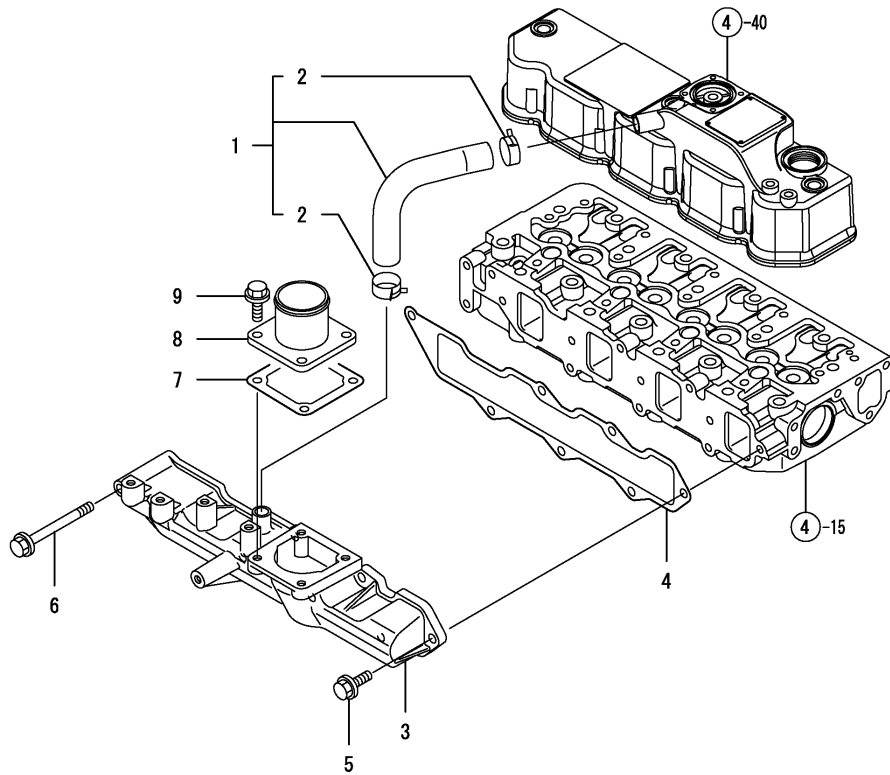
No.	Lev.	Parts No.	Description	Q'ty						I	R
				(A)	(B)	(C)	(D)	(E)	(F)		
1	1	129900-07900	LIFTER	2	2						
2	1	26106-080162	BOLT, M8X 16 PLATED	4	4						
3	1	129601-11241	SHAFT ASSY, ROCKER	1	1						
4	2	129601-11251	SHAFT, ROCKER ARM	1	1						
6	2	119802-11260	SUPPORT, ROCKER ARM	2	2						
7	2	119802-11270	SUPPORT, ROCKER ARM	3	3						
8	2	129150-11280	SPRING	4	4						
9	2	129004-11650	ARM, ROCKER	8	8						
10	3	129150-11230	SCREW, VALVE ADJUST	8	8						
12	3	129150-11750	NUT, M8	8	8						
13	2	26226-080182	STUD, M8X 18	3	3						
14	1	129150-11370	CAP, VALVE	8	8						
15	1	129604-11700	HEAD ASSY, CYLINDER	1	1						
20	2	27241-400000	PLUG, 40	2	2						
21	2	129005-11100	VALVE, INTAKE	4	4						
22	2	129100-11112	VALVE, EXHAUST	4	4						
23	2	129795-11120	SPRING, VALVE	8	8						
24	2	129795-11180	RETAINER, SPRING	8	8						
25	2	121400-11340	SEAL, VALVE STEM	4	4						
26	2	124460-11340	SEAL, VALVE STEM	4	4						
27	2	27310-080001	COTTER, 8	8	8						
29	1	120130-11860	GUIDE, VALVE	4	4						1
30	1	129150-11810	GUIDE, VALVE	4	4						1
31	1	119802-11870	PROTECTOR, NOZZLE	4	4						
32	1	119625-11880	SEAT, NOZZLE	4	4						
33	1	129004-11900	RETAINER, NOZZLE	4	4						
34	1	120270-54410	WASHER, INJECTOR	4	4						
35	1	22351-060012	PIN, SPRING 6.0X12	2	2						
36	1	26106-080252	BOLT, M8X 25 PLATED	3	3						
37	1	26106-080352	BOLT, M8X 35 PLATED	4	4						
38	1	26106-080502	BOLT, M8X 50 PLATED	7	7						
39	1	124160-01751	COVER, FILLER	1	1						
40	1	129601-11350	BONNET ASSY, HEAD	1	1						
41	2	129004-03010	PLATE	1	1						
42	2	129150-03070	BAFFLE, BREATHER	1	1						
43	2	119802-03110	PLATE	1	1						
44	2	119802-03121	COVER, DIAPHRAGM	1	1						
45	2	119802-03130	DIAPHRAGM	1	1						
46	2	119802-03141	SPRING, DIAPHRAGM	1	1						
48	2	129601-11310	GASKET, BONNET	1	1						
49	2	22857-500100	SCREW, 5X10	4	4						
50	2	22857-500100	SCREW, 5X10	4	4						
51	1	124160-11360	KNOB	3	3						
52	1	24311-000120	O-RING, 1AP12.0	3	3						
53	1	24311-000320	O-RING, 1AP32.0	1	1						
54	1	119803-77830	HARNES, WIRE	1	1						
55	1	129008-77800	PLUG, GLOW	4	4						
56	1	129604-77821	CONNECTOR, GLOW PLUG	1	1						

Remarks
(1) REPAIR PART.

(A)=4TNV88-BKMS
 (B)=4TNV88-BKMSF
 (C)=

(D)=
 (E)=
 (F)=

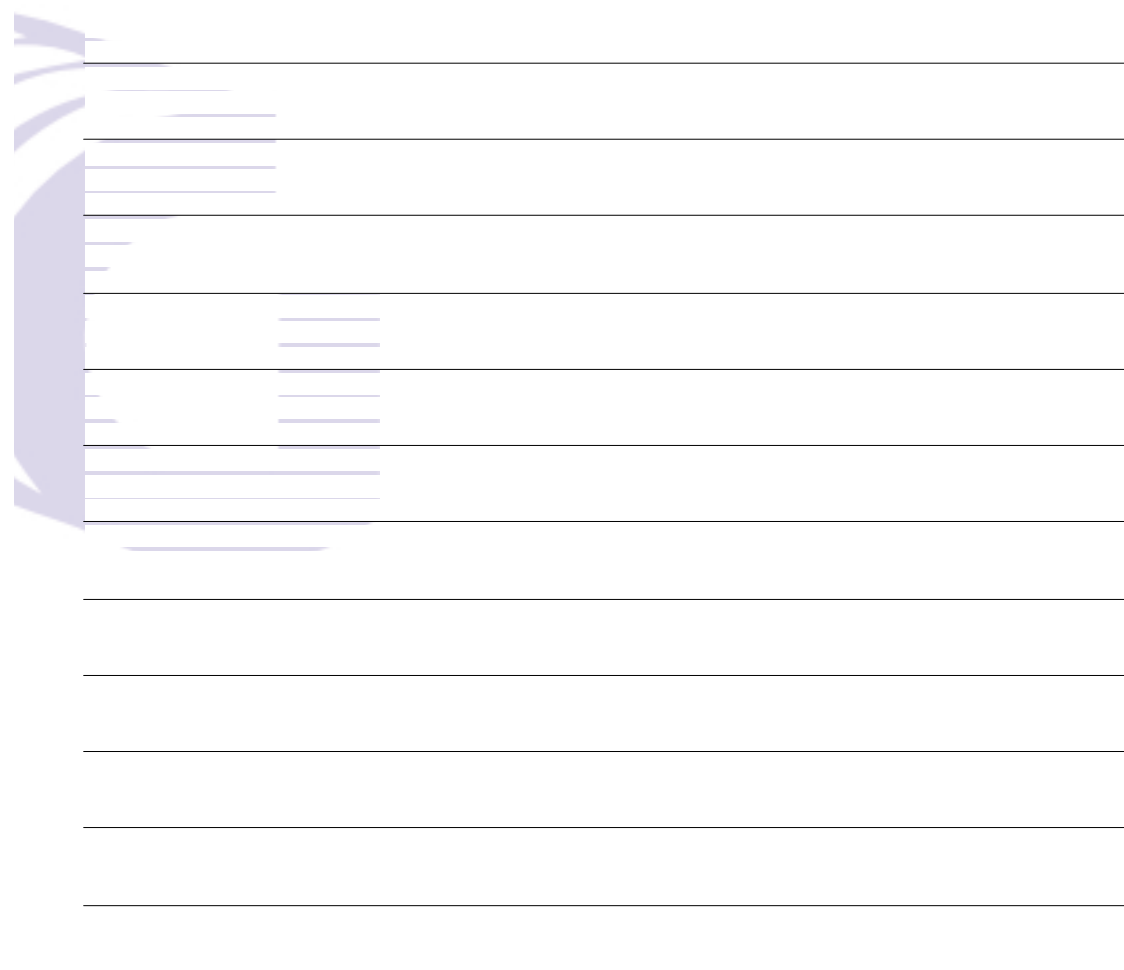
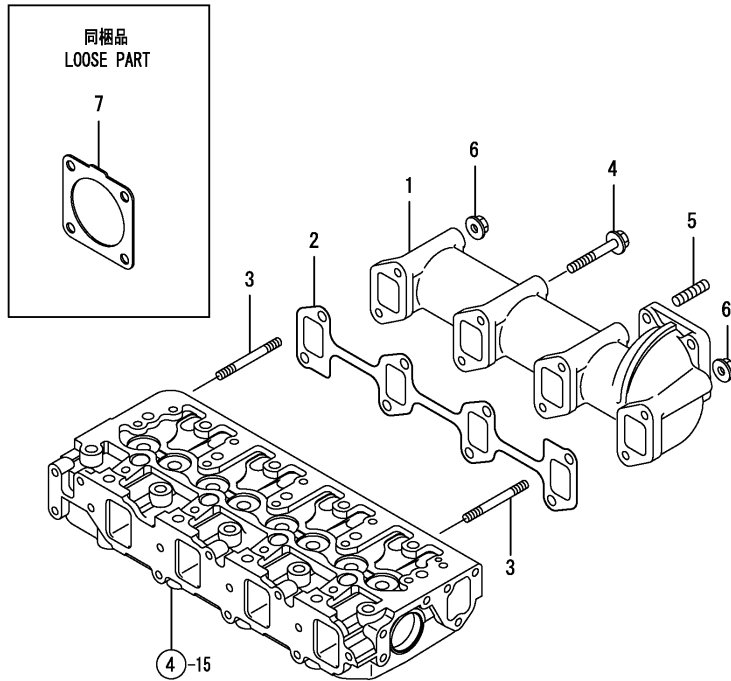
No.	Lev.	Parts No.	Description	Q'ty						I	R
				(A)	(B)	(C)	(D)	(E)	(F)		
1	1	129005-03080	PIPE , BREATHER	1	1						
2	2	129410-03990	CLIP	2	2						
3	1	129602-12100	MANIFOLD, AIR INTAKE	1	1						
4	1	129407-12110	GASKET, MANIFOLD	1	1						
5	1	26106-080202	BOLT, M8X 20 PLATED	6	6						
6	1	26106-080802	BOLT, M8X 80 PLATED	1	1						
7	1	129150-77511	GASKET	1	1						
8	1	129486-12581	JOINT, MANIFOLD	1	1						
9	1	26106-080202	BOLT, M8X 20 PLATED	4	4						

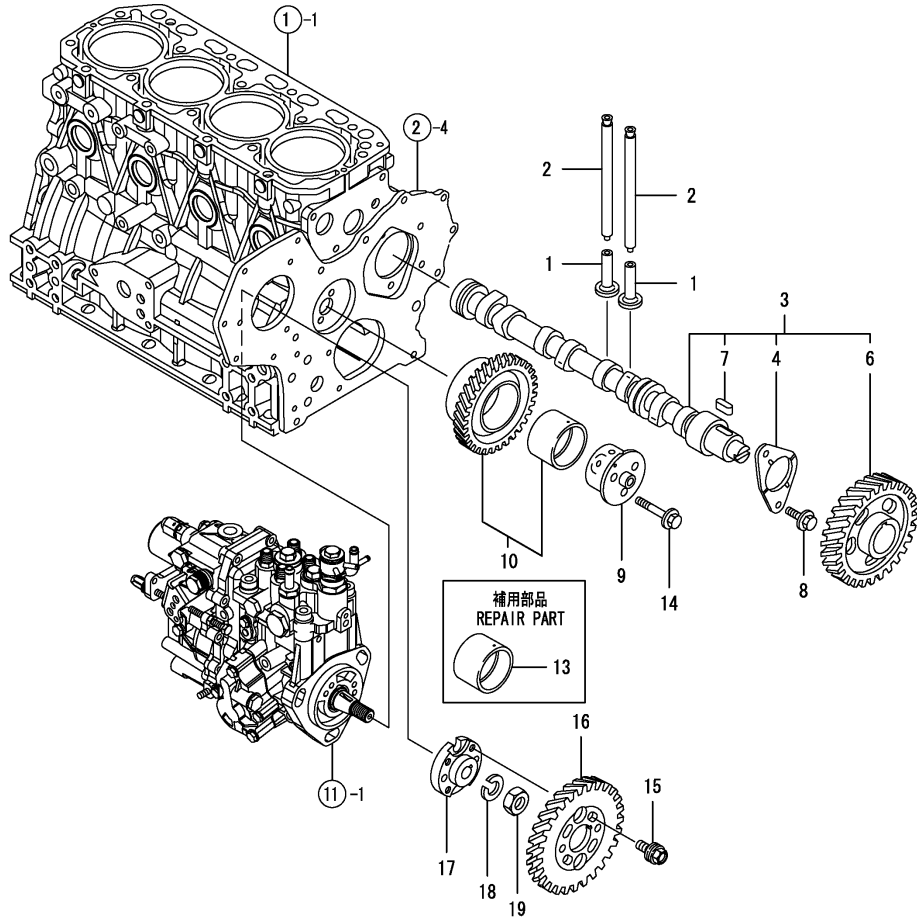


(A)=4TNV88-BKMS
 (B)=4TNV88-BKMSF
 (C)=

(D)=
 (E)=
 (F)=

No.	Lev.	Parts No.	Description	Q'ty						I	R
				(A)	(B)	(C)	(D)	(E)	(F)		
1	1	129400-13101	MANIFOLD, EXHAUST	1	1						
2	1	129550-13110	GASKET	1	1						
3	1	123900-13610	STUD, M8X80	2	2						
4	1	123900-13630	BOLT, M8X80	6	6						
5	1	119131-18320	STUD, M8X22	4	4						
6	1	26306-080002	NUT, M8	2	2						
7	1	129930-13201	GASKET, SILENCER	1	1						





(A)=4TNV88-BKMS
(B)=4TNV88-BKMSF
(C)=

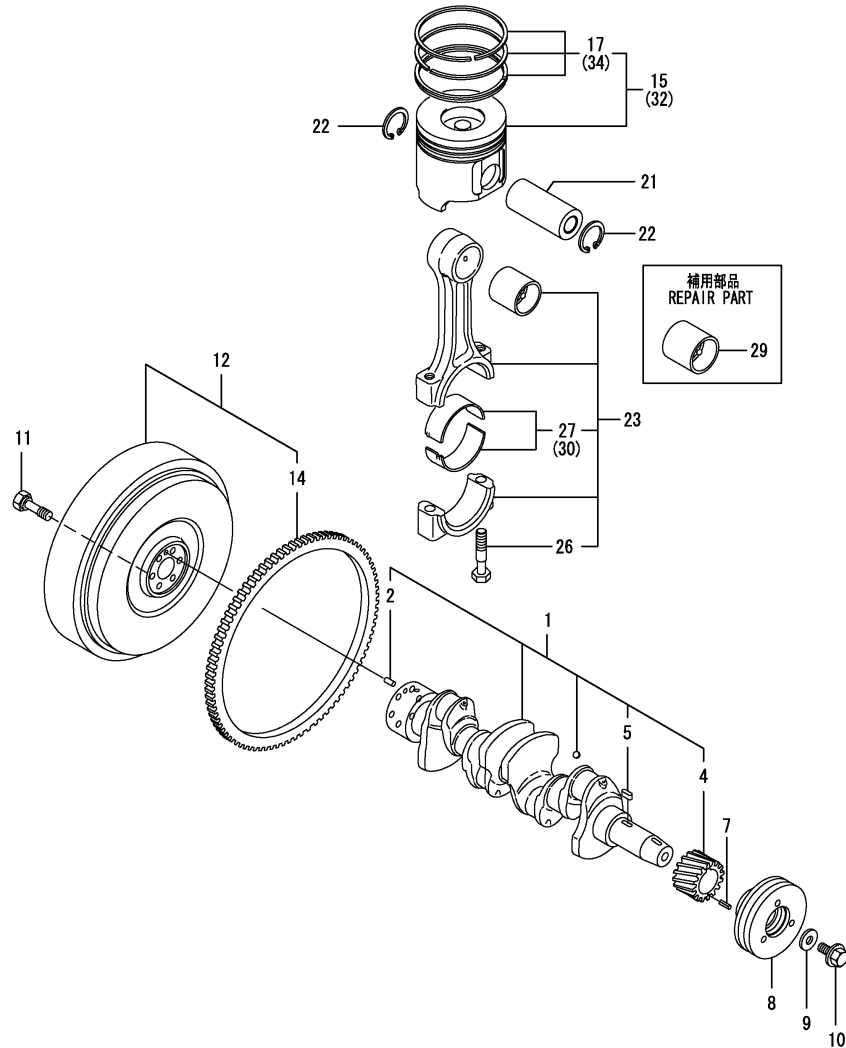
(D)=
(E)=
(F)=

No.	Lev.	Parts No.	Description	Q'ty						I	R
				(A)	(B)	(C)	(D)	(E)	(F)		
1	1	129150-14200	TAPPET	8	8						
2	1	129150-14400	ROD, PUSH L=178	8	8						
3	1	729402-14580	CAMSHAFT ASSY	1	1						
4	2	129150-02450	BEARING, THRUST	1	1						
6	2	129150-14101	GEAR, CAMSHAFT	1	1						
7	2	22512-070140	KEY, 7X 14	1	1						
8	1	26106-080142	BOLT, M8X 14 PLATED	2	2						
9	1	119803-25050	SHAFT, IDLE	1	1						
10	1	119802-25101	GEAR ASSY, IDLE	1	1						
13	1	119802-25071	BUSH, IDLE GEAR	1	1						1
14	1	26106-080402	BOLT, M8X 40 PLATED	3	3						
15	1	129150-25301	BOLT	4	4						
16	1	119802-25901	GEAR, PUMP	1	1						
17	1	158552-51151	FLANGE	1	1						
18	1	22217-140000	WASHER, SPRING 14	1	1						
19	1	26776-140002	NUT, LOCK M14	1	1						

Remarks
(1) REPAIR PART.

(A)=4TNV88-BKMS
 (B)=4TNV88-BKMSF
 (C)=

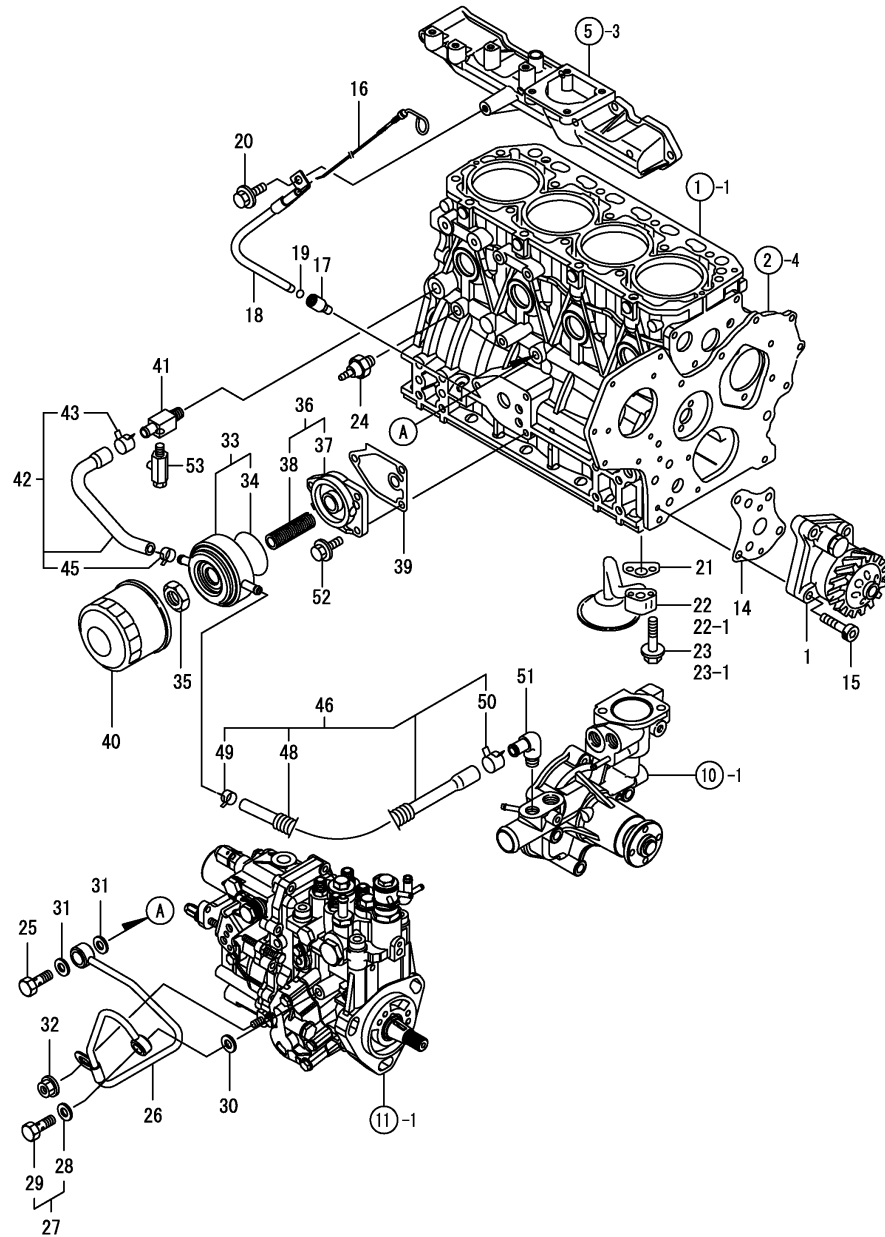
(D)=
 (E)=
 (F)=



No.	Lev.	Parts No.	Description	Q'ty						I	R
				(A)	(B)	(C)	(D)	(E)	(F)		
1	1	129604-21000	CRANKSHAFT ASSY	1	1						
2	2	129100-01580	PIN, M8X16	1	1						
4	2	119803-21200	GEAR, CRANKSHAFT	1	1						
5	2	22512-070140	KEY, 7X 14	1	1						
7	1	22351-030010	PIN, SPRING 3.0X10	1	1						
8	1	119802-21650	V-PULLEY, 110	1	1						
9	1	129795-21661	WASHER	1	1						
10	1	121850-21680	BOLT	1	1						
11	1	121111-21501	BOLT, FLYWHEEL	6	6						
12	1	171420-21580	FLYWHEEL ASSY	1	1						
14	2	119865-21600	GEAR, RING	1	1						
15	1	129005-22080	PISTON ASSY	4	4						
17	2	129005-22500	RING SET, PISTON	4	4						
21	1	129202-22300	PIN, PISTON D26 L70	4	4						
22	1	22252-000260	RING, 26	8	8						
23	1	729402-23100	ROD ASSY, CONNECTING	4	4						
26	2	121550-23200	BOLT, CONNECTING ROD	8	8						
27	2	129150-23601	BEARING, CRANK PIN	4	4						
29	1	129100-23910	BEARING, PISTON PIN	4	4						1
30	1	129150-23611	BEARING, 0.25 US	4	4						2
32	1	129005-22900	PISTON ASSY, 0.25 OS	4	4						3
34	2	129005-22950	RING SET, 0.25 OS	4	4						3

Remarks

- (1) REPAIR PART.
- (2) UNDER-SIZED(U.S=0.25)PART.
- (3) OVER-SIZED(O.S=0.25)PART.

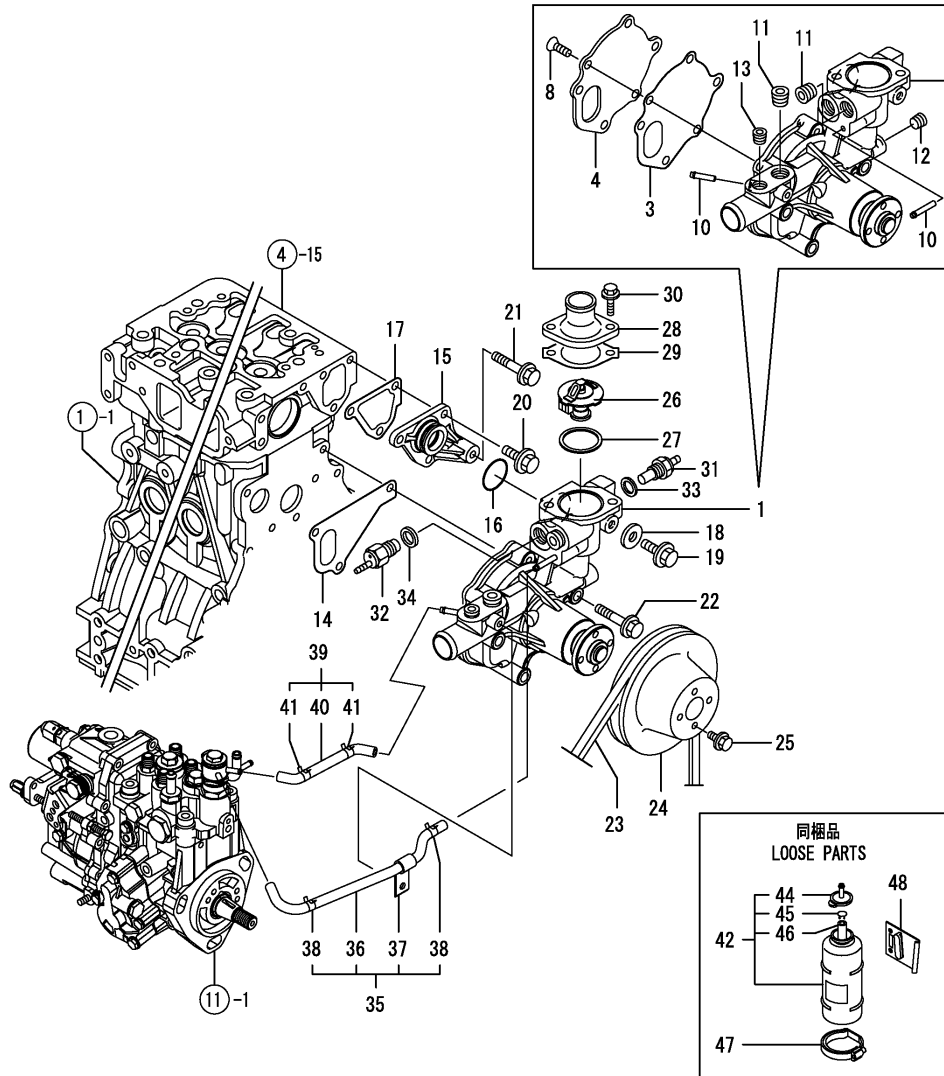


No.	Lev.	Parts No.	Description	Q'ty						I	R
				(A)	(B)	(C)	(D)	(E)	(F)		
1	1	129407-32000	PUMP ASSY, OIL	1	1						
14	1	129150-32020	GASKET, PUMP	1	1						
15	1	26450-060252	BOLT, M6X 25	4	4						
16	1	129601-34801	DIPSTICK, OIL	1	1						
17	1	119260-34810	GUIDE, DIPSTICK	1	1						
18	1	119802-34850	GUIDE, DIPSTICK	1	1						
19	1	24311-240100	O-RING, 1AP10A	1	1						
20	1	26106-080162	BOLT, M8X 16 PLATED	1	1						
21	1	129150-35042	GASKET	1	1						
22	1	129436-35091	PIPE ASSY, OIL INLET	1	1						
22-1	1	129436-35070	PIPE ASSY	1	1						S
		(A=EZZZZZ) (B=EZZZZZ)									
23	1	26106-080352	BOLT, M8X 35 PLATED	2	2						
23-1	1	26106-080552	BOLT, M8X 55 PLATED	2	2						S
		(A=EZZZZZ) (B=EZZZZZ)									
24	1	114250-39450	SWITCH, 0.5KG	1	1						
25	1	124160-39140	BOLT, PIPE JOINT M10	1	1						
26	1	119802-39450	PIPE ASSY, OIL	1	1						
27	1	129005-59830	BOLT ASSY, JOINT M8	1	1						
28	2	22190-080002	WASHER, SEAL 6	1	1						
29	2	23857-030000	BOLT, JOINT 3	1	1						
30	1	22190-080002	WASHER, SEAL 6	1	1						
31	1	22190-100002	WASHER, SEAL 10	2	2						
32	1	26366-060002	NUT, M6	1	1						
33	1	129508-33010	COOLER ASSY, OIL	1	1						
34	2	129508-33050	O-RING	1	1						
35	1	129417-33110	NUT	1	1						
36	1	129006-35100	BRACKET ASSY, FILTER	1	1						
37	2	119802-35110	BRACKET, FILTER	1	1						
38	2	129417-35150	STUD, L=67	1	1						
39	1	129150-35111	GASKET	1	1						
40	1	129150-35153	FILTER	1	1						1
41	1	129006-44480	JOINT	1	1						
42	1	129508-49030	PIPE ASSY, WATER	1	1						
43	2	171008-03990	CLIP, HOSE 18.5	1	1						
45	2	23080-015000	CLAMP, 15	1	1						
46	1	129006-49040	PIPE ASSY, WATER	1	1						
48	2	119940-59130	TUBE, CORRUGATED	1	1						
49	2	23080-015000	CLAMP, 15	1	1						
50	2	171008-03990	CLIP, HOSE 18.5	1	1						
51	1	129103-49301	ELBOW, PT1/4	1	1						
52	1	26106-080202	BOLT, M8X 20 PLATED	3	3						
53	1	119620-49290	COCK ASSY, 1/4	1	1						

Remarks
(1) REPAIR PART.

(A)=4TNV88-BKMS
 (B)=4TNV88-BKMSF
 (C)=

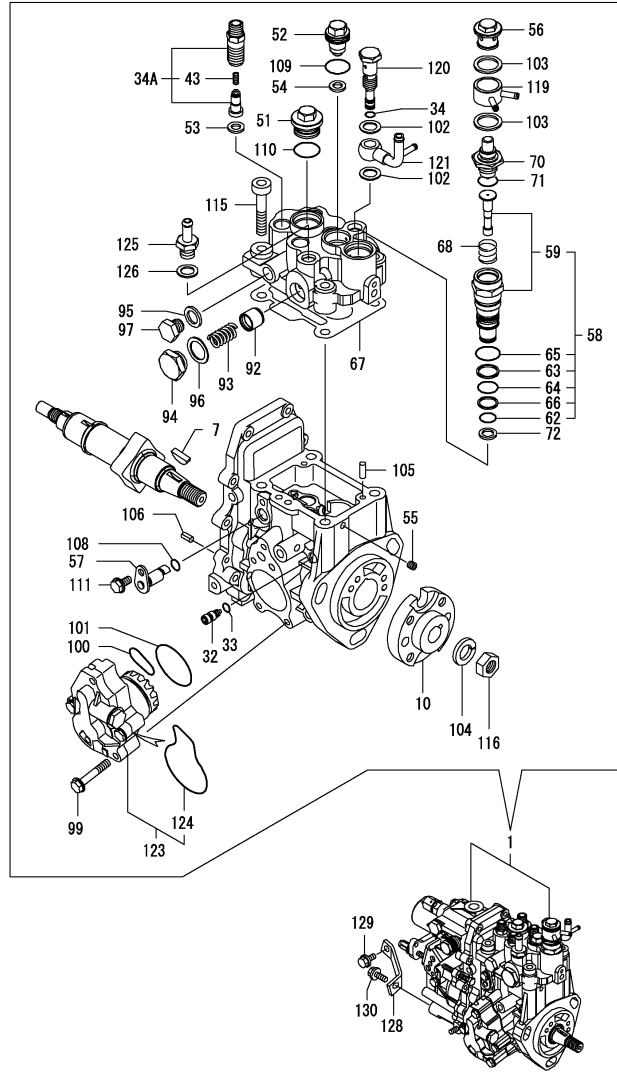
(D)=
 (E)=
 (F)=



No.	Lev.	Parts No.	Description	Q'ty						I	R
				(A)	(B)	(C)	(D)	(E)	(F)		
1	1	129004-42001	PUMP ASSY, WATER	1	1						
3	2	129100-42051	GASKET, WATER PUMP	1	1						
4	2	129100-42121	PLATE	1	1						
8	2	121850-42410	SCREW	3	3						
10	2	119802-49113	JOINT, PIPE	2	2						
11	2	129916-49740	PLUG, R03	2	2						
12	2	23876-010000	PLUG, R01	1	1						
13	2	23876-020000	PLUG, R02	1	1						
14	1	129486-42021	GASKET, WATER PUMP	1	1						
15	1	129004-42040	JOINT	1	1						
16	1	129486-42140	O-RING, G30	1	1						
17	1	124395-49840	GASKET	1	1						
18	1	23414-080000	GASKET, 8X1.0	1	1						
19	1	26106-080122	BOLT, M8X 12 PLATED	1	1						
20	1	26106-080162	BOLT, M8X 16 PLATED	3	3						
21	1	26106-080452	BOLT, M8X 45 PLATED	1	1						
22	1	26106-080602	BOLT, M8X 60 PLATED	3	3						
23	1	25132-003900	V-BELT, A39	1	1						
24	1	129120-42350	V-PULLEY, 130	1	1						
25	1	26106-060122	BOLT, M6X 12 PLATED	4	4						
26	1	129457-49801	THERMOSTAT, 82	1	1						
27	1	129150-49811	GASKET, THERMOSTAT	1	1						
28	1	129350-49530	COVER, THERMOSTAT	1	1						
29	1	129795-49551	GASKET	1	1						
30	1	26106-080222	BOLT, M8X 22 PLATED	2	2						
31	1	124250-49351	SENSOR	1	1						
32	1	121250-44901	SWITCH, 110	1	1						
33	1	129150-49360	GASKET	1	1						
34	1	124465-44950	GASKET, 16	1	1						
35	1	129004-49610	PIPE ASSY, WATER	1	1						
36	2	129004-49711	PIPE ASSY, WATER	1	1						
37	2	119802-49730	RETAINER, PIPE	1	1						
38	2	124722-59050	CLIP, HOSE 9	2	2						
39	1	129004-49620	PIPE ASSY, WATER	1	1						
40	2	129004-49721	PIPE ASSY, WATER	1	1						
41	2	124722-59050	CLIP, HOSE 9	2	2						
42	1	124450-44510	TANK ASSY, SUB	1	1						
44	2	124450-44530	CAP	1	1						
45	2	124450-44560	RETAINER	1	1						
46	2	23061-070230	PIPE, 7X 230	1	1						
47	1	124450-44550	BAND	1	1						
48	1	121256-44600	BRACKET, SUB TANK	1	1						

(A)=4TNV88-BKMS
(B)=4TNV88-BKMSF
(C)=

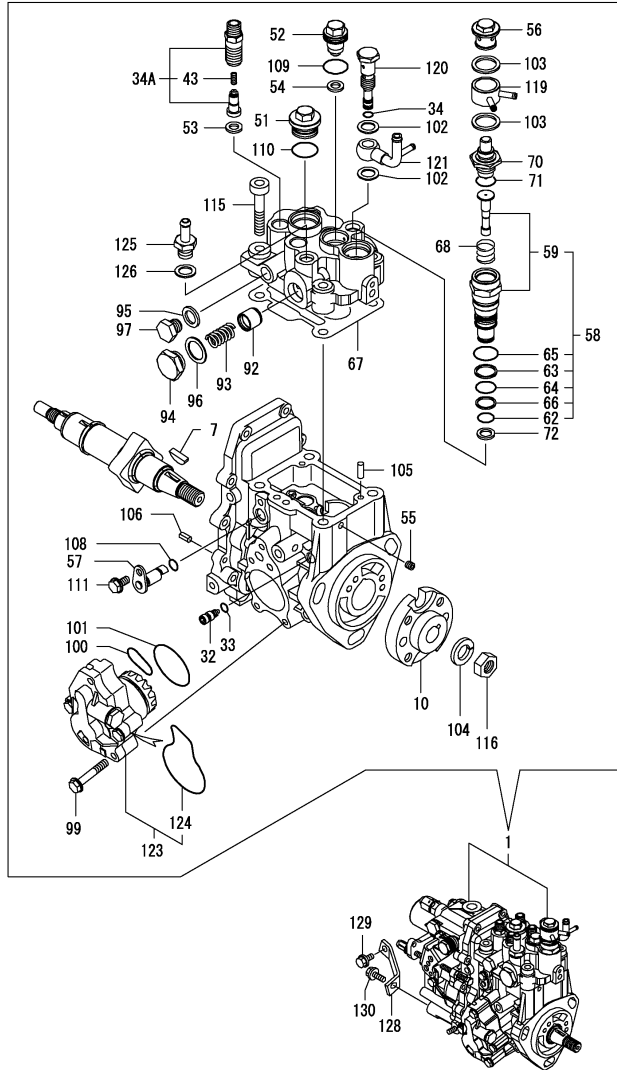
(D)=
(E)=
(F)=



No.	Lev.	Parts No.	Description	Qty						I	R
				(A)	(B)	(C)	(D)	(E)	(F)		
1	1	729632-51420	PUMP ASSY, INJECTION	1	1						1
1-1	1	729632-51421	PUMP ASSY, INJECTION	1	1						N 1
		(A=E-XXXX) (B=E-XXXX)									
1-2	1	729632-51580	PUMP ASSY, INJECTION	1	1						S 2
		(A=E_B6041) (B=E_B6041)									
1-3	1	729632-51421	PUMP ASSY, INJECTION	1	1						S 3
		(A=*2009.08.) (B=*2009.08.)									
7	2	119802-51090	KEY, 4X16	1	1						
10	2	158552-51151	FLANGE	1	1						
32	2	158600-51270	STOPPER, TAPPET	1	1						
33	2	158563-51281	O-RING, 4D S6	1	1						
34	2	158563-51281	O-RING, 4D S6	1	1						
34A	2	129008-51390	VALVE ASSY, DELIVERY	4	4						W
		(A=*2008.04.) (B=*2008.04.)									
43	3	158563-51330	SPRING, DELIVERY	4	4						
51	2	158601-51550	PLUG	1	1						
52	2	119802-51560	PLUG, BARREL	1	1						
53	2	158552-51570	GASKET	3	3						
54	2	158552-51570	GASKET	1	1						
55	2	158557-51570	PLUG	1	1						
56	2	158601-51570	PLUG	1	1						
57	2	158552-51580	LIFTER	1	1						
58	2	119802-51590	TIMER SET	1	1						
59	3	119802-51600	TIMER ASSY	1	1						
62	3	158553-51670	O-RING, 1011	1	1						
63	3	119802-51680	RING, BACK UP	1	1						
64	3	119802-51690	O-RING	1	1						
65	3	24356-010200	O-RING, 4D1020	1	1						
66	3	24372-000150	RING, BACK UP T2P15	1	1						
67	2	158552-51600	GASKET	1	1						
68	2	158553-51630	SPRING, TIMER	1	1						
70	2	158553-51640	ELEMENT	1	1						
71	2	158553-51660	O-RING, P14	1	1						
72	2	158553-51680	GASKET	1	1						
92	2	158601-51770	PISTON	1	1						
93	2	158552-51781	SPRING	1	1						
94	2	158601-51790	PLUG	1	1						
95	2	22190-120002	WASHER, SEAL 12	1	1						
96	2	22190-180002	WASHER, SEAL 18	1	1						
97	2	23887-120002	PLUG, 12	1	1						
99	2	158553-51770	BOLT	4	4						
100	2	158552-52310	O-RING	1	1						
101	2	158552-52400	O-RING, 4E S42	1	1						
102	2	22190-120002	WASHER, SEAL 12	2	2						
103	2	22190-180002	WASHER, SEAL 18	2	2						
104	2	22217-140000	WASHER, SPRING 14	1	1						
105	2	22312-050140	PIN, PARALLEL M5X14	2	2						
106	2	22351-050010	PIN, SPRING 5.0X10	2	2						
108	2	24311-000070	O-RING, 1AP7.0	1	1						
109	2	24356-010180	O-RING, 4D1018	1	1						
110	2	24356-010200	O-RING, 4D1020	1	1						

Remarks

- (1)Governor ASSY(Fig.12) is incorporated in this FOP CMP (Ref.No.1).
- (2)Ref.No.1-2 & Fig.No.13 Ref.No.1-1 interchangeable by set.
- (3)Ref.No.1-3 & Fig.No.13 Ref.No.1-2 interchangeable by set.



(A)=4TNV88-BKMS
(B)=4TNV88-BKMSF
(C)=

(D)=
(E)=
(F)=

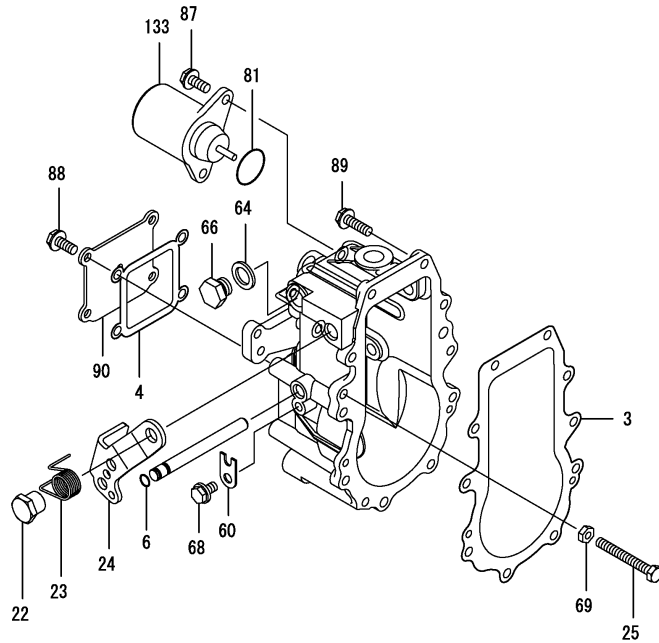
No.	Lev.	Parts No.	Description	Qty						I	R
				(A)	(B)	(C)	(D)	(E)	(F)		
111	2	26106-060102	BOLT, M6X 10 PLATED	1	1						
115	2	26450-080452	BOLT, M8X 45	4	4						
116	2	26776-140002	NUT, LOCK M14	1	1						
119	2	158553-51551	JOINT	1	1						
120	2	158601-51650	JOINT, OVER FLOW	1	1						
121	2	158552-51670	JOINT, OVER FLOW	1	1						
123	2	158552-52100	PUMP ASSY, FUEL FEED	1	1						
124	3	158552-52500	O-RING	1	1						
125	2	119934-59910	JOINT, PIPE	1	1						
126	2	22190-120002	WASHER, SEAL 12	1	1						
128	1	129601-51250	RETAINER, PUMP	1	1						
129	1	26106-080162	BOLT, M8X 16 PLATED	1	1						
130	1	26106-080202	BOLT, M8X 20 PLATED	1	1						

Remarks

- (1)Governor ASSY(Fig.12) is incorporated in this FOP CMP (Ref.No.1).
- (2)Ref.No.1-2 & Fig.No.13 Ref.No.1-1 interchangeable by set.
- (3)Ref.No.1-3 & Fig.No.13 Ref.No.1-2 interchangeable by set.

(A)=4TNV88-BKMS
 (B)=4TNV88-BKMSF
 (C)=

(D)=
 (E)=
 (F)=



No.	Lev.	Parts No.	Description	Qty						I	R
				(A)	(B)	(C)	(D)	(E)	(F)		
3	2	158553-61050	GASKET	1	1						
4	2	158553-61070	GASKET	1	1						
6	2	129155-51280	O-RING, S6	1	1						
22	2	129255-61410	NUT, LOCK	1	1						
23	2	119807-61420	SPRING, RETURN	1	1						
24	2	158552-61441	LEVER, REGULATOR	1	1						
25	2	129155-61460	BOLT, IDLE	1	1						
60	2	119660-61901	RETAINER, SHAFT	1	1						
64	2	22190-120000	WASHER, SEAL 12	1	1						
66	2	23887-120002	PLUG, 12	1	1						
68	2	26106-060102	BOLT, M6X 10 PLATED	1	1						
69	2	26756-060002	NUT, LOCK M6	1	1						
81	2	158552-61900	O-RING	1	1						
87	2	26106-060142	BOLT, M6X 14 PLATED	2	2						
88	2	26106-060142	BOLT, M6X 14 PLATED	4	4						
89	2	26106-060202	BOLT, M6X 20 PLATED	10	10						
90	2	129642-61060	COVER, GOVERNOR CASE	1	1						
133	2	119653-77950	SOLENOID, STOP	1	1						

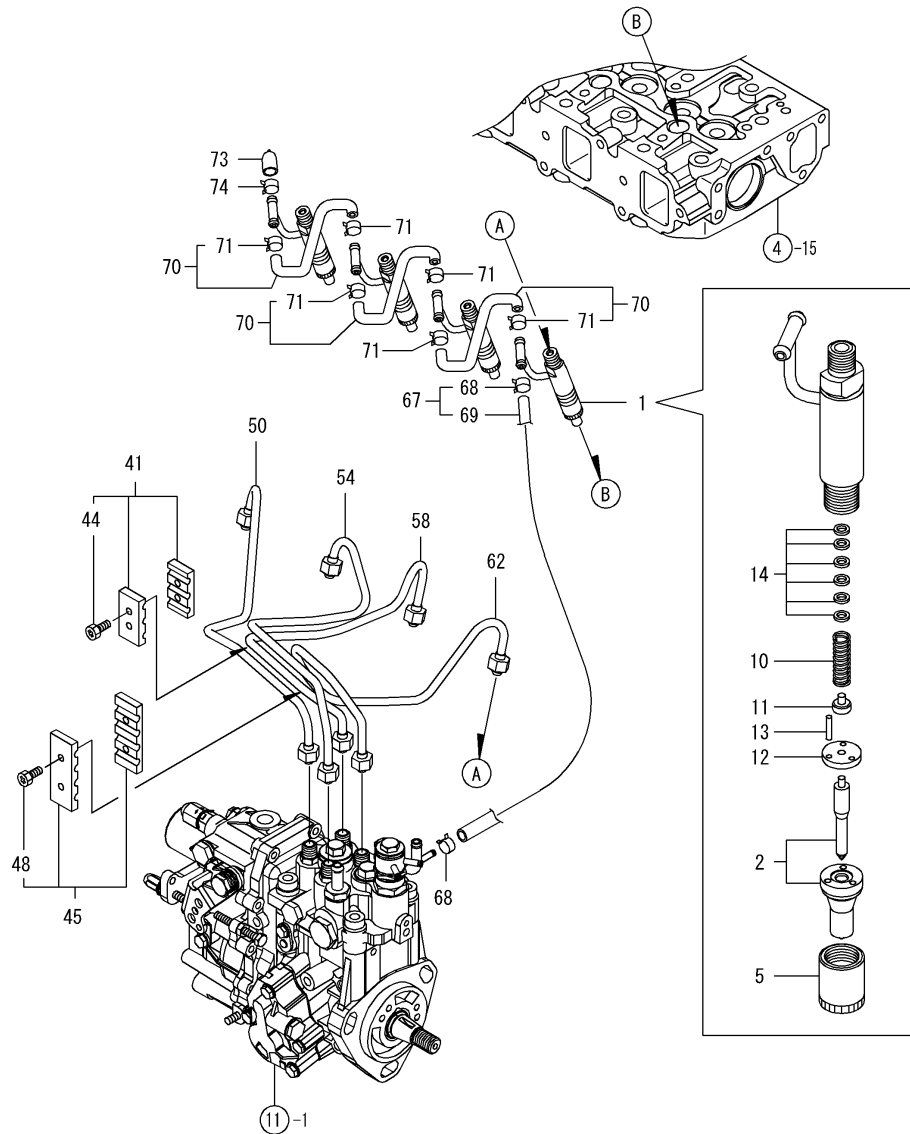
Remarks

* THIS FIGURE(GOVERNOR ASSY)IS
 INCORPORATED IN THE FUEL INJECTION
 PUMP ASSY(FIG.11).

(A)=4TNV88-BKMS
 (B)=4TNV88-BKMSF
 (C)=

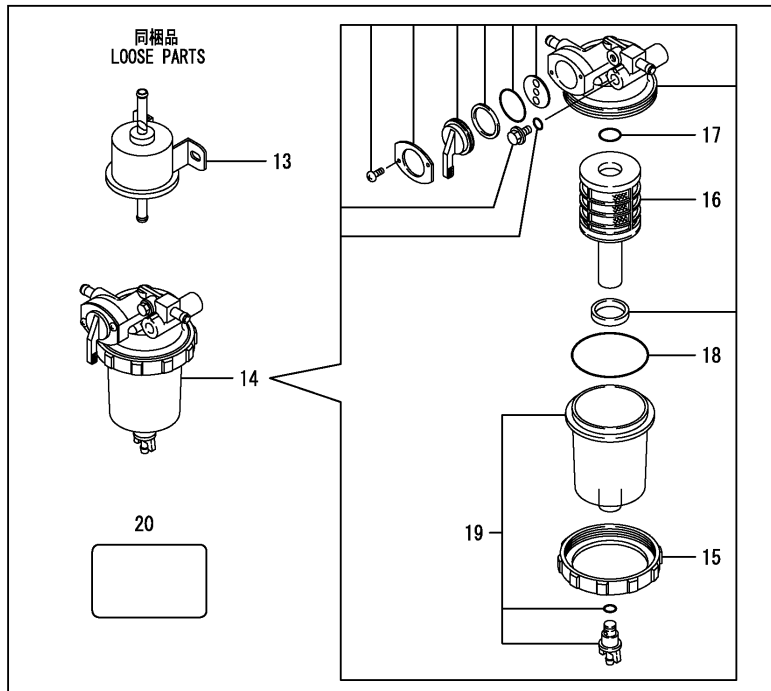
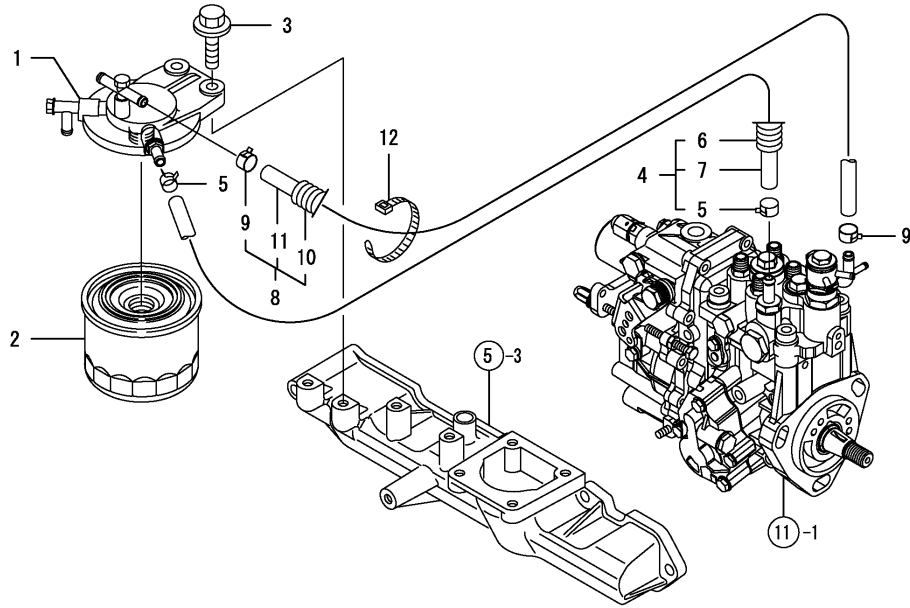
(D)=
 (E)=
 (F)=

No.	Lev.	Parts No.	Description	Q'ty						I	R
				(A)	(B)	(C)	(D)	(E)	(F)		
1	1	729604-53200	VALVE ASSY,INJECTION	4	4						
1-1	1	729604-53400	VALVE ASSY,INJECTION	4	4						S 1
		(A=E_B6041) (B=E_B6041)									
1-2	1	729604-53200	VALVE ASSY,INJECTION	4	4						S 2
		(A=*2009.08.) (B=*2009.08.)									
2	2	129604-53000	VALVE ASSY,INJECTION	4	4						
2-1	2	129604-53300	VALVE ASSY,INJECTION	4	4						S
		(A=E_B6041) (B=E_B6041)									
2-2	2	129604-53000	VALVE ASSY,INJECTION	4	4						S
		(A=*2009.08.) (B=*2009.08.)									
5	2	114250-53080	NUT, NOZZLE D16.95	4	4						
10	2	114250-53120	SPRING, NOZZLE	4	4						
11	2	114250-53130	SEAT, SPRING	4	4						
12	2	114250-53140	PLATE	4	4						
13	2	114250-53210	PIN	8	8						
14	2	119803-53400	SHIM SET	4	4						
41	1	129150-59120	RETAINER, PIPE	1	1						
44	2	129150-59131	BOLT, M4X14	2	2						
45	1	129550-59120	RETAINER, PIPE	1	1						
48	2	129150-59131	BOLT, M4X14	2	2						
50	1	129601-59810	PIPE ASSY, INJECTION	1	1						
54	1	129601-59820	PIPE ASSY, INJECTION	1	1						
58	1	129601-59830	PIPE ASSY, INJECTION	1	1						
62	1	129601-59840	PIPE ASSY, INJECTION	1	1						
67	1	119802-59550	PIPE ASSY, RETURN	1	1						
68	2	124722-59050	CLIP, HOSE 9	2	2						
69	2	119802-59560	PIPE, FUEL RETURN	1	1						
70	1	129486-59551	PIPE ASSY, RETURN	3	3						
71	2	124722-59050	CLIP, HOSE 9	6	6						
73	1	119593-59581	CAP	1	1						
74	1	124060-77680	CLIP, HOSE 10	1	1						



Remarks

- (1)Ref.No.1-1 & Fig.No.11 Ref.No.1-2 interchangeable by set.
- (2)Ref.No.1-2 & Fig.No.11 Ref.No.1-3 interchangeable by set.



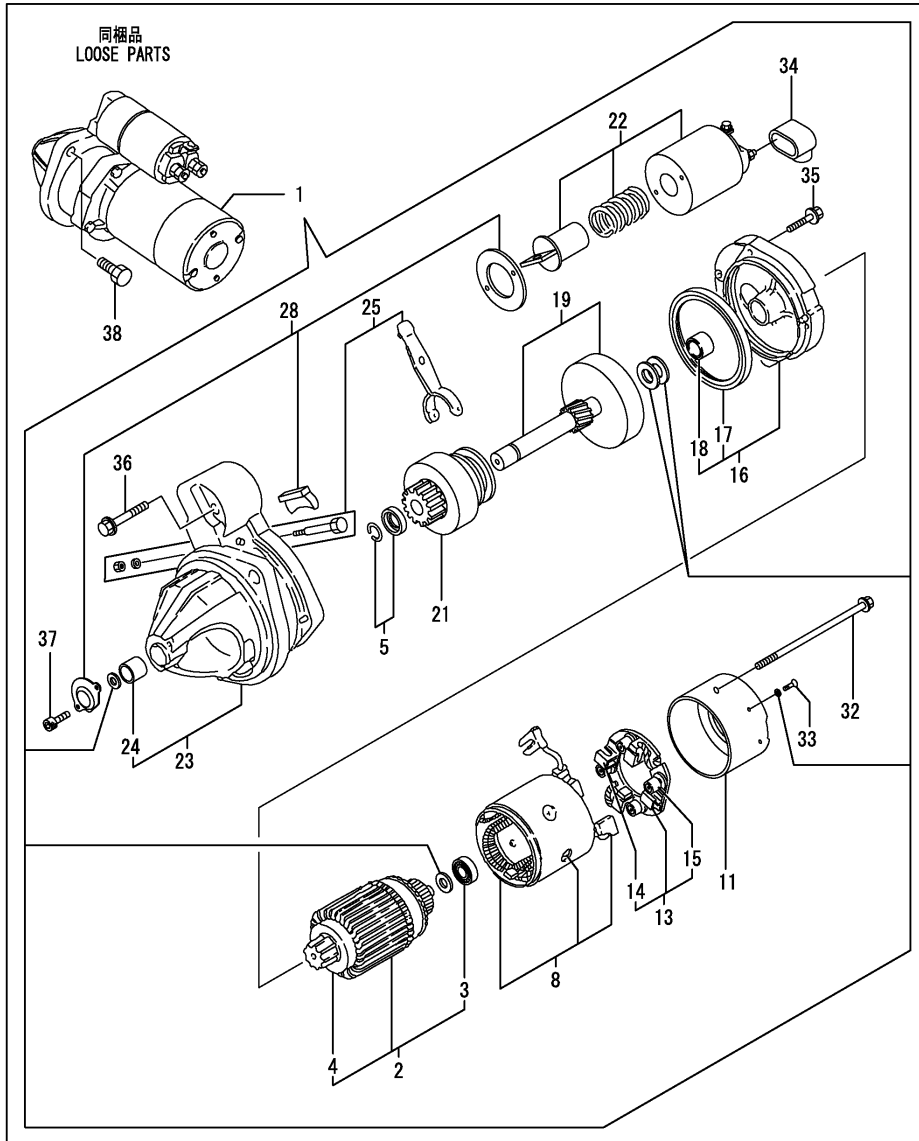
(A)=4TNV88-BKMS
(B)=4TNV88-BKMSF
(C)=

(D)=
(E)=
(F)=

No.	Lev.	Parts No.	Description	Q'ty						I	R
				(A)	(B)	(C)	(D)	(E)	(F)		
1	1	129004-55612	BRACKET, FILTER	1	1						
2	1	119802-55801	FILTER, FUEL	1	1						
3	1	26106-080302	BOLT, M8X 30 PLATED	2	2						
4	1	129950-59311	PIPE, FUEL	1	1						
5	2	124766-59050	CLIP, HOSE 12	2	2						
6	2	129961-59110	TUBE, CORRUGATED	1	1						
7	2	105025-59580	PIPE, FUEL	1	1						
8	1	129956-59010	PIPE ASSY, FUEL	1	1						
9	2	124766-59050	CLIP, HOSE 12	2	2						
10	2	129957-59101	TUBE, CORRUGATED	1	1						
11	2	105225-59511	PIPE, FUEL	1	1						
12	1	121750-59890	BAND, 140	1	1						
13	1	119225-52102	PUMP ASSY, FUEL FEED	1	1						
14	1	119802-55700	SEPARATOR ASSY	1	1						
14-1	1	129242-55700	SEPARATOR ASSY	1	1						R
		(A=*2008.07.) (B=*2008.07.)									
15	2	129100-55690	RING, RETAINING	1	1						Z
		(A=*2008.07.) (B=*2008.07.)									
16	2	119802-55710	ELEMENT	1	1						
16-1	2	129242-55730	ELEMENT	1	1						S
		(A=*2008.07.) (B=*2008.07.)									
17	2	24311-000160	O-RING, 1AP16.0	1	1						
18	2	24321-000650	O-RING, 1AG65.0	1	1						
18-1	2	24321-000750	O-RING, 1AG75.0	1	1						S
		(A=*2008.07.) (B=*2008.07.)									
19	2	119802-55730	CUP ASSY	1	1						
19-1	2	129242-55720	CUP	1	1						S
		(A=*2008.07.) (B=*2008.07.)									
19A	2	129242-55740	PLUG, DRAIN	1	1						W
		(A=*2008.07.) (B=*2008.07.)									
19B	2	129242-55750	VALVE, AIR VENT	1	1						W
		(A=*2008.07.) (B=*2008.07.)									
19C	2	129242-55760	GASKET	1	1						W
		(A=*2008.07.) (B=*2008.07.)									
19D	2	129242-55770	FLOAT	1	1						W
		(A=*2008.07.) (B=*2008.07.)									
20	1	114110-07760	LABEL, FUEL CAUTION	1	1						

(A)=4TNV88-BKMS
 (B)=4TNV88-BKMSF
 (C)=

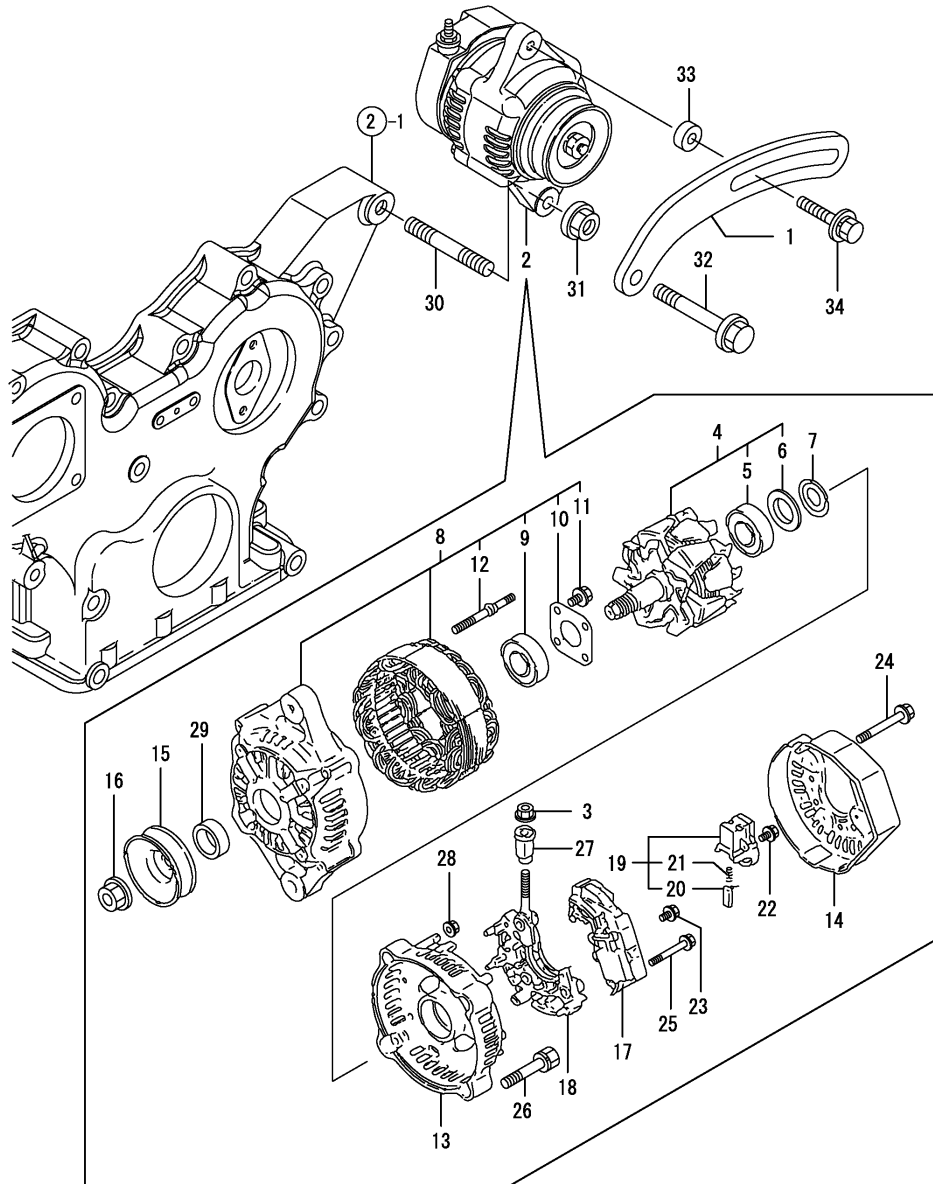
(D)=
 (E)=
 (F)=



No.	Lev.	Parts No.	Description	Qty						I	R
				(A)	(B)	(C)	(D)	(E)	(F)		
1	1	121254-77019	STARTING MOTOR(DC12V	1	1						
2	2	121254-77402	ARMATURE ASSY	1	1						
3	3	121254-77410	BALL BEARING	1	1						
4	3	121254-77420	BALL BEARING	1	1						
5	2	121254-77480	STOPPER KIT, PINION	1	1						
8	2	121254-77511	COIL ASSY, FIELD	1	1						
11	2	121254-77550	COVER ASSY, REAR	1	1						
13	2	121254-77571	HOLDER ASSY	1	1						
14	3	121254-77581	BRUSH, -	2	2						
15	3	121254-77590	SPRING	4	4						
16	2	121254-77600	BEARING ASSY, CENTER	1	1						
17	3	119129-77210	SEAL, OIL	1	1						
18	3	119129-77220	BEARING, NEEDLE	1	1						
19	2	121254-77640	SHAFT ASSY, GEAR	1	1						
21	2	121254-77661	PINION ASSY	1	1						
22	2	121254-77671	SWITCH, MAGNETIC	1	1						
23	2	121254-77681	CASE ASSY, GEAR	1	1						
24	3	121254-77690	METAL, GEAR CASE	1	1						
25	2	121254-77700	LEVER SET, SHIFT	1	1						
28	2	121254-77730	DUST COVER SET	1	1						
32	2	121254-77770	BOLT, THROUGH	2	2						
33	2	121254-77790	SCREW 4	2	2						
34	2	121254-77810	COVER, TERMINAL	1	1						
35	2	26106-060302	BOLT, M6X 30 PLATED	3	3						
36	2	26106-060452	BOLT, M6X 45 PLATED	2	2						
37	2	26450-050122	BOLT, M5X 12	2	2						
38	1	26116-120252	BOLT, M12X 25 PLATED	2	2						

(A)=4TNV88-BKMS
(B)=4TNV88-BKMSF
(C)=

(D)=
(E)=
(F)=

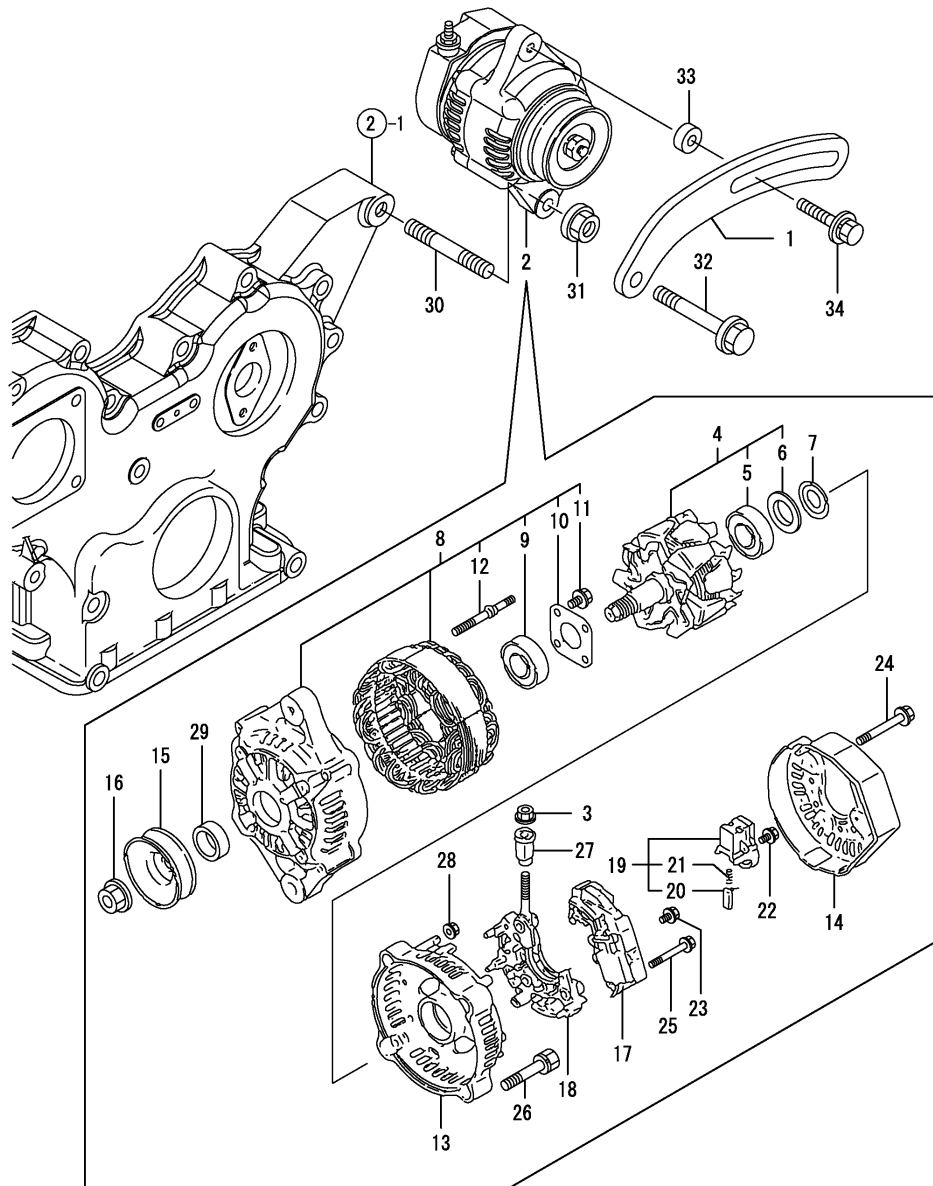


No.	Lev.	Parts No.	Description	Qty						I	R
				(A)	(B)	(C)	(D)	(E)	(F)		
1	1	119802-77330	ADJUSTER	1	1						
2	1	129423-77200	GENERATOR, 12V-40A	1	1						
2-1	1	129961-77200	GENERATOR, 12V-55A	1	1						N
		(A=*2008.11) (B=*2008.11)									
2-2	1	119626-77210	ALTERNATOR, 12V-55A	1	1						N
		(A=*2009.07) (B=*2009.07)									
3	2	X9490561001	NUT	1	1						
4	2	119620-77380	ROTOR ASSY	1	1						
4-1	2	129052-77380	ROTOR ASSY	1	1						N
		(A=*2008.11) (B=*2008.11)									
5	3	123501-79240	BEARING, BALL	1	1						
6	3	119620-79250	COVER	1	1						
7	2	119620-79360	WASHER, THRUST	1	1						Z
		(A=*2008.11) (B=*2008.11)									
8	2	119620-77421	FRAME ASSY, DRIVE	1	1						
8-1	2	129961-77421	FRAME ASSY	1	1						N
		(A=*2008.11) (B=*2008.11)									
8-2	2	129052-77422	FRAME ASSY	1	1						N
		(A=*2009.07) (B=*2009.07)									
9	3	119620-79200	BEARING, BALL	1	1						
10	3	119620-79210	PLATE, RETAINER	1	1						
11	3	119620-79220	SCREW	4	4						
12	3	119620-79230	STUD	2	2						
13	2	119620-77440	FRAME ASSY	1	1						
13-1	2	128401-77440	FRAME	1	1						N
		(A=*2008.11) (B=*2008.11)									
14	2	129240-79300	COVER	1	1						
14-1	2	128401-77450	COVER	1	1						N
		(A=*2008.11) (B=*2008.11)									
14-2	2	119626-77450	COVER	1	1						N
		(A=*2009.07) (B=*2009.07)									
15	2	119620-77461	PULLEY	1	1						
16	2	119620-77471	NUT	1	1						
17	2	129423-77710	REGULATOR ASSY	1	1						
17-1	2	119620-77710	REGULATOR ASSY	1	1						N
		(A=*2008.11) (B=*2008.11)									
17-2	2	129423-77710	REGULATOR ASSY	1	1						N
		(A=*2009.07) (B=*2009.07)									
18	2	119620-79260	HOLDER	1	1						
18-1	2	129052-79260	HOLDER	1	1						N
		(A=*2008.11) (B=*2008.11)									
19	2	119620-79270	HOLDER, BRUSH	1	1						
19-1	2	129052-79270	HOLDER, BRUSH	1	1						N
		(A=*2009.07) (B=*2009.07)									
20	3	119620-77480	BRUSH ASSY	2	2						Z
		(A=*2009.07) (B=*2009.07)									
21	3	119620-79280	SPRING	2	2						Z
		(A=*2009.07) (B=*2009.07)									
22	2	119620-79290	SCREW	6	6						
23	2	119620-79300	SCREW	1	1						
24	2	119620-79310	BOLT	3	3						

(A)=4TNV88-BKMS
 (B)=4TNV88-BKMSF
 (C)=

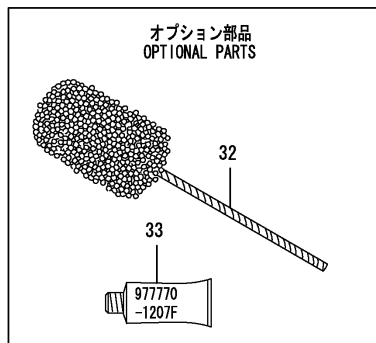
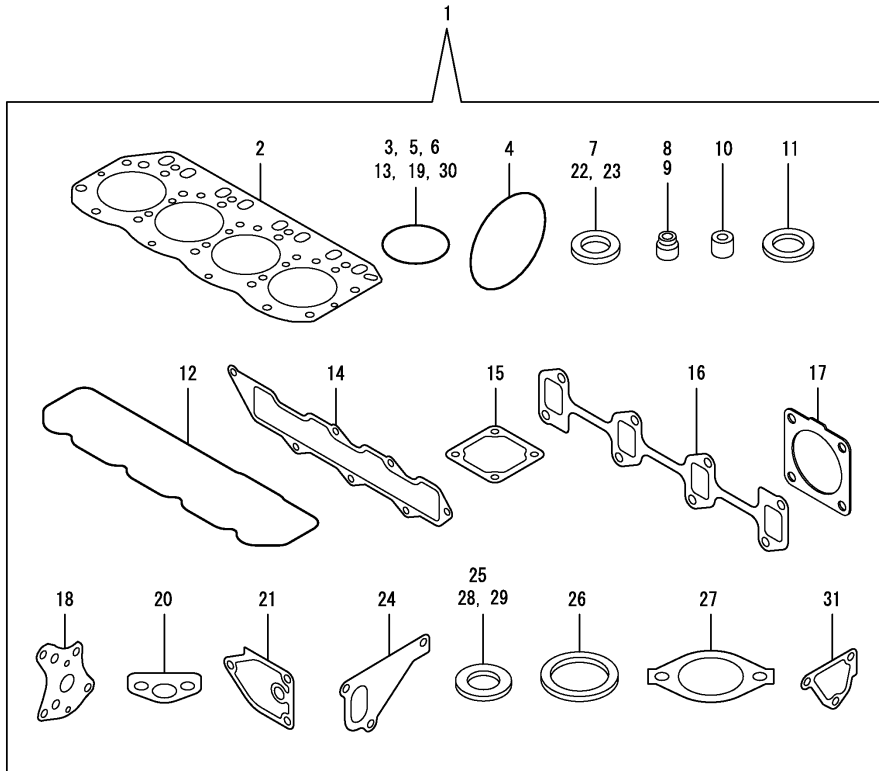
(D)=
 (E)=
 (F)=

No.	Lev.	Parts No.	Description	Q'ty						I	R
				(A)	(B)	(C)	(D)	(E)	(F)		
25	2	119620-79320	SCREW	2	2						
26	2	119620-79330	BOLT	2	2						
27	2	119620-79340	BUSH, INSULATION	1	1						
28	2	119620-79350	NUT	2	2						
29	2	119620-77490	COLLAR	1	1						
30	1	129795-01900	STUD	1	1						
31	1	26306-100002	NUT, M10	1	1						
32	1	26106-080452	BOLT, M8X 45 PLATED	1	1						
33	1	119940-77270	SPACER, GENERATOR	1	1						
34	1	129972-77341	BOLT, ADJUSTER L=50	1	1						



(A)=4TNV88-BKMS
 (B)=4TNV88-BKMSF
 (C)=

(D)=
 (E)=
 (F)=



No.	Lev.	Parts No.	Description	Q'ty						I	R
				(A)	(B)	(C)	(D)	(E)	(F)		
1	1	729602-92770	GASKET SET	1	1						1
2	2	129407-01340	GASKET, HEAD	1	1						
3	2	119609-32040	O-RING, P16	2	2						
4	2	121850-51960	O-RING	1	1						
5	2	24311-000320	O-RING, 1AP32.0	2	2						
6	2	24341-000240	O-RING, 1AS24.0	1	1						
7	2	22190-220002	WASHER, SEAL 22	1	1						
8	2	121400-11340	SEAL, VALVE STEM	4	4						
9	2	124460-11340	SEAL, VALVE STEM	4	4						
10	2	119802-11870	PROTECTOR, NOZZLE	4	4						
11	2	119625-11880	SEAT, NOZZLE	4	4						
12	2	129601-11310	GASKET, BONNET	1	1						
13	2	24311-000120	O-RING, 1AP12.0	3	3						
14	2	129407-12110	GASKET, MANIFOLD	1	1						
15	2	129150-77511	GASKET	1	1						
16	2	129550-13110	GASKET	1	1						
17	2	129930-13201	GASKET, SILENCER	1	1						
18	2	129150-32020	GASKET, PUMP	1	1						
19	2	24311-240100	O-RING, 1AP10A	1	1						
20	2	129150-35042	GASKET	1	1						
21	2	129150-35111	GASKET	1	1						
22	2	22190-080002	WASHER, SEAL 6	7	7						
23	2	22190-100002	WASHER, SEAL 10	2	2						
24	2	129486-42021	GASKET, WATER PUMP	1	1						
25	2	23414-080000	GASKET, 8X1.0	1	1						
26	2	129150-49811	GASKET, THERMOSTAT	1	1						
27	2	129795-49551	GASKET	1	1						
28	2	124465-44950	GASKET, 16	1	1						
29	2	129150-49360	GASKET	1	1						
30	2	129486-42140	O-RING, G30	1	1						
31	2	124395-49840	GASKET	1	1						
32	1	129400-92430	HONE	1	1						1
33	1	977770-1207F	GASKET.LIQUID	1	1						1

Remarks
 (1) OPTIONAL PART.



Parts No. Index

Parts No.	Fig. No.	Ref. No.
105025-59580	14	7
105225-59511	14	11
114110-07760	14	20
114250-39450	9	24
114250-53080	13	5
114250-53120	13	10
114250-53130	13	11
114250-53140	13	12
114250-53210	13	13
119129-77210	15	17
119129-77220	15	18
119131-18320	6	5
119225-52102	14	13
119260-34810	9	17
119593-59581	13	73
119609-32040	2	9
	17	3
119620-01750	3	3
119620-49290	9	53
119620-77380	16	4
119620-77421	16	8
119620-77440	16	13
119620-77461	16	15
119620-77471	16	16
119620-77480	16	20
119620-77490	16	29
119620-77710	16	17 -1
119620-79200	16	9
119620-79210	16	10
119620-79220	16	11
119620-79230	16	12
119620-79250	16	6
119620-79260	16	18
119620-79270	16	19
119620-79280	16	21
119620-79290	16	22
119620-79300	16	23
119620-79310	16	24
119620-79320	16	25
119620-79330	16	26
119620-79340	16	27
119620-79350	16	28
119620-79360	16	7
119625-11880	4	32
	17	11
119626-77210	16	2 -2
119626-77450	16	14 -2
119640-01640	3	8
119653-77950	12	133
119660-61901	12	60

Parts No.	Fig. No.	Ref. No.
119802-01561	2	5
119802-03110	4	43
119802-03121	4	44
119802-03130	4	45
119802-03141	4	46
119802-11260	4	6
119802-11270	4	7
119802-11870	4	31
	17	10
119802-21650	8	8
119802-25071	7	13
119802-25101	7	10
119802-25901	7	16
119802-34850	9	18
119802-35110	9	37
119802-39450	9	26
119802-49113	10	10
119802-49730	10	37
119802-51090	11	7
119802-51560	11	52
119802-51590	11	58
119802-51600	11	59
119802-51680	11	63
119802-51690	11	64
119802-55700	14	14
119802-55710	14	16
119802-55730	14	19
119802-55801	14	2
119802-59550	13	67
119802-59560	13	69
119802-77330	16	1
119803-01520	2	4
119803-21200	8	4
119803-25050	7	9
119803-53400	13	14
119803-77830	4	54
119807-61420	12	23
119865-21600	8	14
119934-01800	2	3
119934-59910	11	125
119940-59130	9	48
119940-77270	16	33
120130-11860	4	29
120270-54410	4	34
121023-01551	2	19
121111-21501	8	11
121250-44901	10	32
121254-77019	15	1
121254-77402	15	2
121254-77410	15	3

Parts No.	Fig. No.	Ref. No.
121254-77420	15	4
121254-77480	15	5
121254-77511	15	8
121254-77550	15	11
121254-77571	15	13
121254-77581	15	14
121254-77590	15	15
121254-77600	15	16
121254-77640	15	19
121254-77661	15	21
121254-77671	15	22
121254-77681	15	23
121254-77690	15	24
121254-77700	15	25
121254-77730	15	28
121254-77770	15	32
121254-77790	15	33
121254-77810	15	34
121256-44600	10	48
121400-11340	4	25
	17	8
121550-23200	8	26
121750-59890	14	12
121850-21680	8	10
121850-42410	10	8
121850-51960	2	10
	17	4
123501-79240	16	5
123900-13610	6	3
123900-13630	6	4
124060-01050	1	4
124060-77680	13	74
124160-01751	2	6
	4	39
124160-01910	1	6
	7	
124160-11360	4	51
124160-39140	9	25
124240-01871	2	7
124250-49351	10	31
124395-49840	10	17
	17	31
124450-44510	10	42
124450-44530	10	44
124450-44550	10	47
124450-44560	10	45
124460-11340	4	26
	17	9
124465-44950	10	34
	17	28

Parts No.	Fig. No.	Ref. No.
124722-59050	10	38
		41
	13	68
		71
124766-59050	14	5
		9
128401-77440	16	13 -1
128401-77450	16	14 -1
129001-01250	1	5
129001-02931	1	29
129001-91841	2	11
129004-03010	4	41
129004-11650	4	9
129004-11900	4	33
129004-42001	10	1
129004-42040	10	15
129004-49610	10	35
129004-49620	10	39
129004-49711	10	36
129004-49721	10	40
129004-55612	14	1
129005-03080	5	1
129005-11100	4	21
129005-22080	8	15
129005-22500	8	17
129005-22900	8	32
129005-22950	8	34
129005-59830	9	27
129006-35100	9	36
129006-44480	9	41
129006-49040	9	46
129008-51390	11	34 A
129008-77800	4	55
129052-77380	16	4 -1
129052-77422	16	8 -2
129052-79260	16	18 -1
129052-79270	16	19 -1
129100-01580	3	1
		14
	8	2
129100-01640	3	15
129100-11112	4	22
129100-23910	8	29
129100-42051	10	3
129100-42121	10	4
129100-55690	14	15
129103-49301	9	51
129120-42350	10	24
129150-01200	1	27
129150-02020	1	9



Parts No. Index

Parts No.	Fig. No.	Ref. No.
129150-02450	7	4
129150-02871	1	32
129150-02931	1	24
129150-02941	1	35
129150-03070	4	42
129150-11230	4	10
129150-11280	4	8
129150-11370	4	14
129150-11750	4	12
129150-11810	4	30
129150-14101	7	6
129150-14200	7	1
129150-14400	7	2
129150-23601	8	27
129150-23611	8	30
129150-25301	7	15
129150-32020	9	14
	17	18
129150-35042	9	21
	17	20
129150-35111	9	39
	17	21
129150-35153	9	40
129150-49360	10	33
	17	29
129150-49811	10	27
	17	26
129150-59120	13	41
129150-59131	13	44
		48
129150-77511	5	7
	17	15
129155-51280	12	6
129155-61460	12	25
129202-22300	8	21
129240-79300	16	14
129242-55700	14	14 -1
129242-55720	14	19 -1
129242-55730	14	16 -1
129242-55740	14	19 A
129242-55750	14	19 B
129242-55760	14	19 C
129242-55770	14	19 D
129255-61410	12	22
129350-49530	10	28
129400-01730	3	6
129400-13101	6	1
129400-92430	17	32
129407-01340	1	28
	17	2

Parts No.	Fig. No.	Ref. No.
129407-12110	5	4
	17	14
129407-32000	9	1
129410-03990	5	2
129417-33110	9	35
129417-35150	9	38
129423-77200	16	2
129423-77710	16	17
		17 -2
129436-01780	3	7
129436-35070	9	22 -1
129436-35091	9	22
129457-49801	10	26
129486-01670	3	18
129486-12581	5	8
129486-42021	10	14
		17 24
129486-42140	10	16
	17	30
129486-59551	13	70
129508-33010	9	33
129508-33050	9	34
129508-49030	9	42
129550-13110	6	2
	17	16
129550-59120	13	45
129601-11241	4	3
129601-11251	4	4
129601-11310	4	48
	17	12
129601-11350	4	40
129601-34801	9	16
129601-51250	11	128
129601-59810	13	50
129601-59820	13	54
129601-59830	13	58
129601-59840	13	62
129602-12100	5	3
129604-11700	4	15
129604-21000	8	1
129604-53000	13	2
		2 -2
129604-53300	13	2 -1
129604-77821	4	56
129612-01600	3	2
129642-61060	12	90
129795-01780	3	17
129795-01900	16	30
129795-01950	2	8
129795-02412	1	12

Parts No.	Fig. No.	Ref. No.
129795-11120	4	23
129795-11180	4	24
129795-21661	8	9
129795-49551	10	29
	17	27
129900-07900	4	1
129916-49740	10	11
129930-13201	6	7
	17	17
129950-59311	14	4
129956-59010	14	8
129957-59101	14	10
129961-59110	14	6
129961-77200	16	2 -1
129961-77421	16	8 -1
129972-77341	16	34
158552-51151	7	17
	11	10
158552-51570	11	53
		54
158552-51580	11	57
158552-51600	11	67
158552-51670	11	121
158552-51781	11	93
158552-52100	11	123
158552-52310	11	100
158552-52400	11	101
158552-52500	11	124
158552-61441	12	24
158552-61900	12	81
158553-51551	11	119
158553-51630	11	68
158553-51640	11	70
158553-51660	11	71
158553-51670	11	62
158553-51680	11	72
158553-51770	11	99
158553-61050	12	3
158553-61070	12	4
158557-51570	11	55
158563-51281	11	33
		34
158563-51330	11	43
158600-51270	11	32
158601-51550	11	51
158601-51570	11	56
158601-51650	11	120
158601-51770	11	92
158601-51790	11	94
171008-03990	9	43

Parts No.	Fig. No.	Ref. No.
171008-03990	9	50
171051-01921	1	8
171420-21580	8	12
22190-080002	2	12
	9	28
		30
	17	22
22190-100002	9	31
	17	23
22190-120000	12	64
22190-120002	11	95
		102
		126
22190-180002	11	96
		103
22190-220002	3	10
	17	7
22217-140000	7	18
	11	104
22252-000260	8	22
22312-050140	11	105
22351-030010	8	7
22351-050010	11	106
22351-060012	4	35
22512-070140	7	7
	8	5
22857-500100	4	49
		50
23061-070230	10	46
23080-015000	9	45
		49
23414-080000	10	18
	17	25
23857-030000	9	29
23876-010000	10	12
23876-020000	10	13
23887-120002	11	97
	12	66
24311-000070	11	108
24311-000120	4	52
	17	13
24311-000160	14	17
24311-000320	2	13
	4	53
	17	5
24311-240100	9	19
	17	19
24321-000650	14	18
24321-000750	14	18 -1
24341-000240	2	20



Parts No. Index

Parts No.	Fig. No.	Ref. No.
24341-000240	17	6
24356-010180	11	109
24356-010200	11	65 110
24372-000150	11	66
25132-003900	10	23
26106-060102	11	111
	12	68
26106-060122	10	25
26106-060142	12	87 88
26106-060162	2	21
26106-060202	12	89
26106-060302	15	35
26106-060452	15	36
26106-080122	10	19
26106-080142	7	8
26106-080162	2	14 15
	3	11
	4	2
	9	20
	10	20
26106-080202	11	129
	5	5 9
	9	52
	11	130
26106-080222	10	30
26106-080252	3	12
	4	36
26106-080302	2	16
	14	3
26106-080352	3	19
	4	37
	9	23
26106-080402	7	14
26106-080452	3	13 13 -1
	10	21
	16	32
26106-080502	3	20
	4	38
26106-080552	2	17
	9	23 -1
26106-080602	10	22
26106-080802	5	6
26116-120252	15	38
26206-100252	3	4
26206-100302	3	5

Parts No.	Fig. No.	Ref. No.
26226-080182	4	13
26306-080002	2	18
	6	6
26306-100002	16	31
26366-060002	9	32
26450-050122	15	37
26450-060252	9	15
26450-080452	11	115
26756-060002	12	69
26776-140002	7	19
	11	116
27241-120000	1	13
27241-300000	1	14
27241-400000	4	20
27310-080001	4	27
719803-01500	2	1
729402-14580	7	3
729402-23100	8	23
729602-01560	1	1
729602-92770	17	1
729604-53200	13	1 1 -2
729604-53400	13	1 -1
729632-51420	11	1
729632-51421	11	1 -1 1 -3 1 -2
729632-51580	11	1 -2
977770-1207F	17	33
X9490561001	16	3

Parts No.	Fig. No.	Ref. No.
-----------	----------	----------

Parts No.	Fig. No.	Ref. No.
-----------	----------	----------