

0CD10-M98201EN

P R E F A C E

This parts catalog is the 2nd edition of 4TNV88-BP6DA for Komatsu Co., Ltd.

Published : March, 2014



Fig. No. Fig. Name

4TNV88-BP6DA

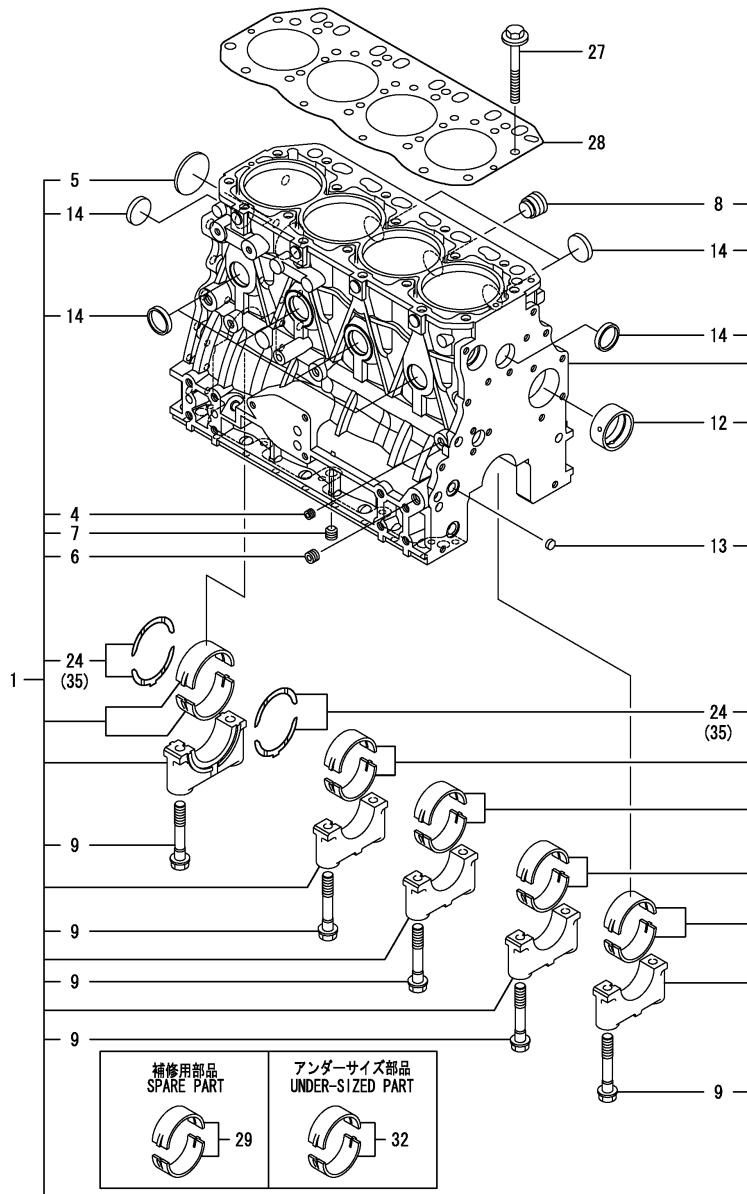
1. CYLINDER BLOCK
2. GEAR HOUSING
3. FLYWHEEL HOUSING & OIL SUMP
4. CYLINDER HEAD & BONNET
5. SUCTION MANIFOLD & AIR CLEANER
6. EXHAUST MANIFOLD & SILENCER
7. CAMSHAFT & DRIVING GEAR
8. CRANKSHAFT & PISTON
10. COOLING WATER SYSTEM
9. LUB. OIL SYSTEM
11. FUEL INJECTION PUMP
12. GOVERNOR
13. FUEL INJECTION VALVE
14. FUEL PIPE
15. STARTER MOTOR
16. GENERATOR
17. GASKET SET

Fig. No. Fig. Name



(A)=4TNV88-BP6DA
(B)=
(C)=

(D)=
(E)=
(F)=



No.	Lev.	Parts No.	Description	Q'ty						I	R
				(A)	(B)	(C)	(D)	(E)	(F)		
1	1	729602-01560	BLOCK ASSY, CYLINDER	1							
4	2	124060-01050	PLUG, PT1/8	1							
5	2	129001-01250	PLUG, 50	1							
6	2	124160-01910	PLUG, PT1/4	2							
7	2	124160-01910	PLUG, PT1/4	1							
8	2	171051-01921	PLUG, NPTF1	1							
9	2	129150-02020	BOLT, METAL CAP	10							
12	2	129795-02412	BUSH, CAMSHAFT	1							
13	2	27241-120000	PLUG, 12	2							
14	2	27241-300000	PLUG 30	8							
24	2	129150-02931	BEARING, THRUST	2							
27	1	129150-01200	BOLT, HEAD	18							
28	1	129407-01340	GASKET, HEAD	1							
29	1	129001-02931	BEARING, MAIN	5							1
32	1	129150-02871	BEARING, 0.25 US	5							2
35	1	129150-02941	BEARING, THRUST 0.25	1							3

Remarks

- (1) Spare parts.
- (2) Under-sized (U.S.=0.25) parts.
- (3) Over-sized (O.S.=0.25) parts.

(A)=4TNV88-BP6DA

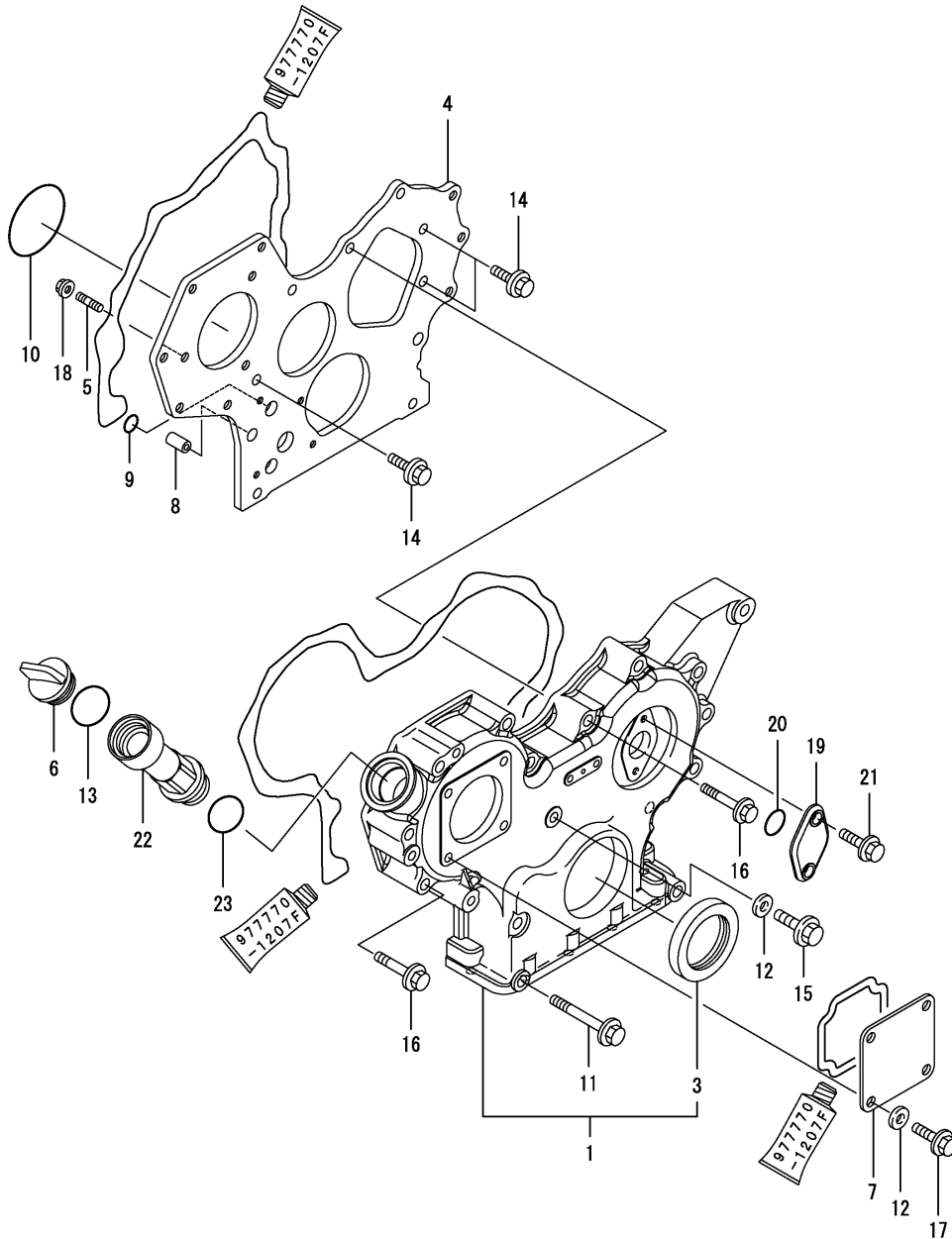
(B)=

(C)=

(D)=

(E)=

(F)=



No.	Lev.	Parts No.	Description	Q'ty						I	R
				(A)	(B)	(C)	(D)	(E)	(F)		
1	1	729630-01500	CASE ASSY, GEAR	1							
3	2	119934-01800	SEAL, OIL	1							
4	1	119803-01520	FLANGE, GEAR CASE	1							
5	1	119802-01561	STUD, M8X25	3							
6	1	124160-01751	COVER, FILLER	1							
7	1	124240-01871	COVER	1							
8	1	129795-01950	PIPE, KNOCK L=18	2							
9	1	119609-32040	O-RING, P16	2							
10	1	121850-51960	O-RING	1							
11	1	129001-91841	BOLT, M8X85	3							
11-1	1	26106-080852	BOLT, M8X 85 PLATED	3							R
(A=*2008.09)											
12	1	22190-080002	WASHER, SEAL 8	5							
13	1	24311-000320	O-RING, 1AP32.0	1							
14	1	26106-080162	BOLT, M8X 16 PLATED	3							
15	1	26106-080302	BOLT, M8X 30 PLATED	1							
16	1	26106-080552	BOLT, M8X 55 PLATED	12							
17	1	26106-080162	BOLT, M8X 16 PLATED	4							
18	1	26306-080002	NUT, M8	3							
19	1	121023-01551	COVER	1							
20	1	24341-000240	O-RING, 1AS24.0	1							
21	1	26106-060162	BOLT, M6X 16 PLATED	2							
22	1	121027-11743	PIPE	1							
23	1	24311-000320	O-RING, 1AP32.0	1							

(A)=4TNV88-BP6DA

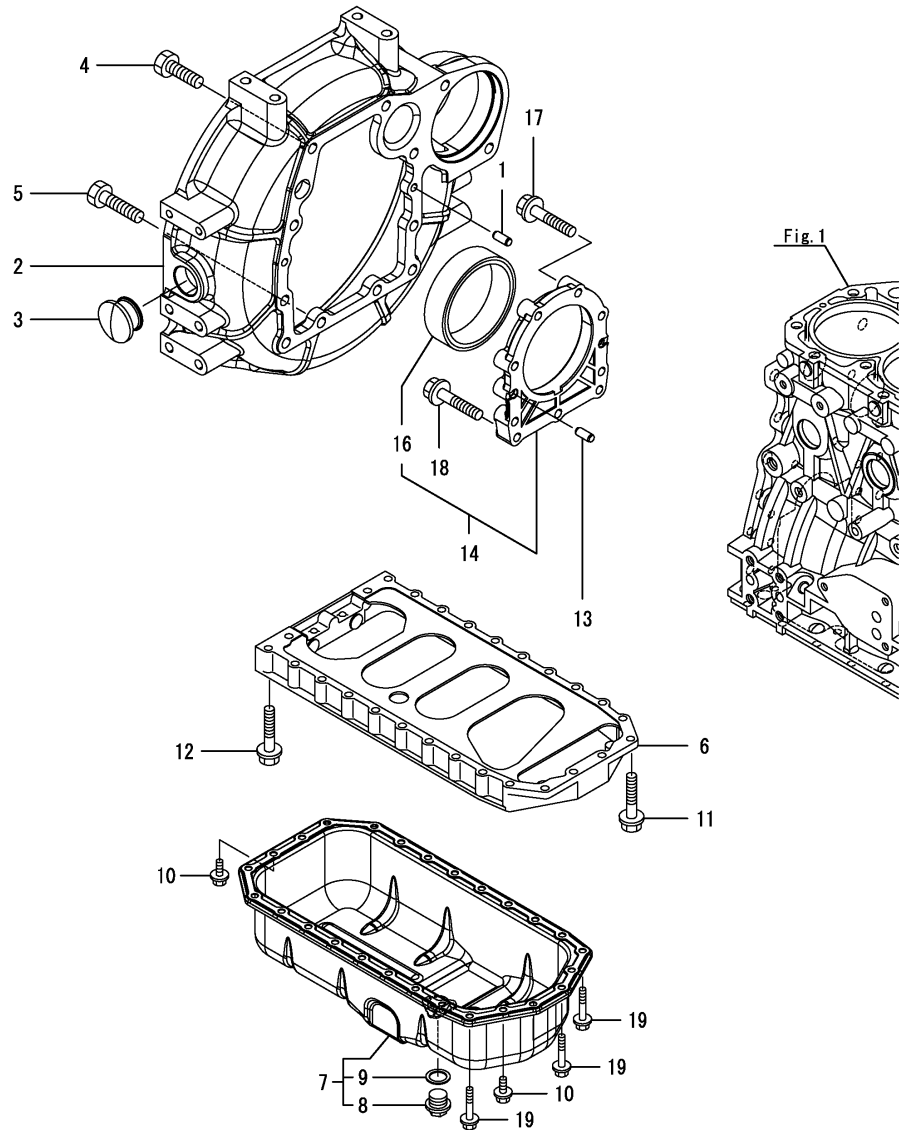
(B)=

(C)=

(D)=

(E)=

(F)=



No.	Lev.	Parts No.	Description	Q'ty						I	R
				(A)	(B)	(C)	(D)	(E)	(F)		
1	1	129100-01580	PIN, PARALLEL 8X16	2							
2	1	129612-01600	HOUSING, FLYWHEEL	1							
3	1	119620-01750	CAP, WHEEL COVER	1							
4	1	26206-100252	BOLT, M10X 25 PLATED	6							
5	1	26206-100302	BOLT, M10X 30 PLATED	4							
6	1	129400-01730	SPACER, OIL PAN	1							
7	1	129630-01781	OIL PAN ASSY	1							
8	2	119640-01640	PLUG, DRAIN M22	1							
9	2	22190-220002	WASHER, SEAL 22	1							
10	1	26106-080162	BOLT, M8X 16 PLATED	4							
11	1	26106-080252	BOLT, M8X 25 PLATED	2							
12	1	26106-080452	BOLT, M8X 45 PLATED	20							
13	1	129100-01580	PIN, PARALLEL 8X16	2							
14	1	129100-01640	CASE ASSY, OIL SEAL	1							
14-1	1	129648-01600	CASE ASSY, OIL SEAL	1							N
(A=E25878)											
16	2	129795-01780	SEAL, OIL	1							
16-1	2	129648-01780	SEAL, OIL	1							N
(A=E25878)											
17	1	129486-01670	BOLT, M8X30	6							
18	1	26106-080352	BOLT, M8X 35 PLATED	3							
19	1	26106-080502	BOLT, M8X 50 PLATED	4							

(A)=4TNV88-BP6DA

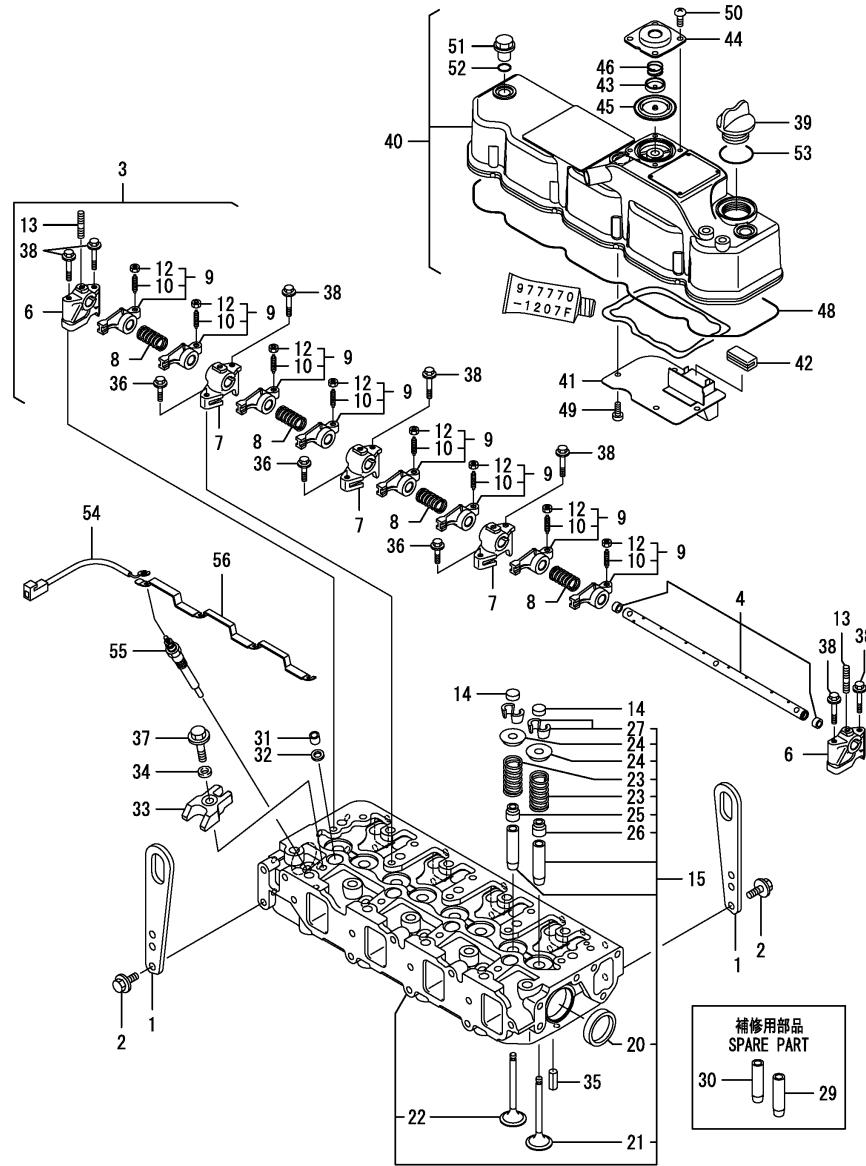
(B)=

(C)=

(D)=

(E)=

(F)=



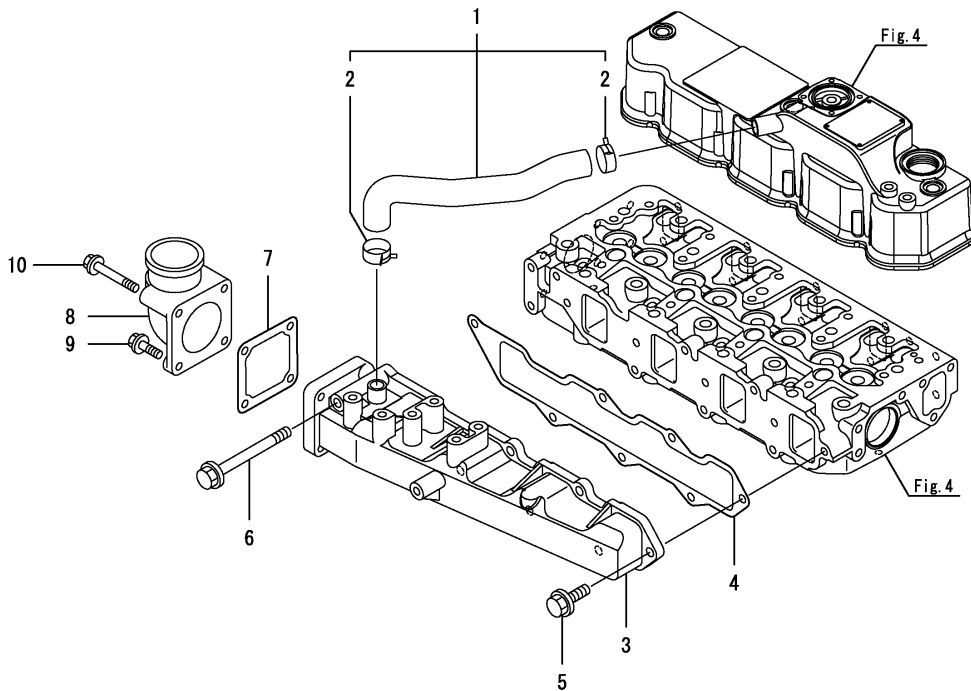
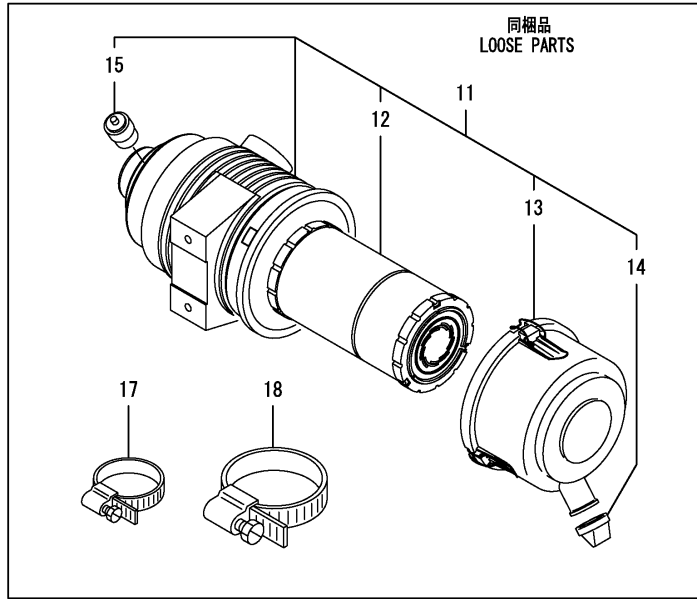
No.	Lev.	Parts No.	Description	Q'ty						I	R
				(A)	(B)	(C)	(D)	(E)	(F)		
1	1	129900-07900	LIFTER	2							
2	1	26106-080162	BOLT, M8X 16 PLATED	4							
3	1	129601-11241	SHAFT ASSY, ROCKER	1							
4	2	129601-11251	SHAFT, ROCKER ARM	1							
6	2	119802-11260	SUPPORT, ROCKER ARM	2							
7	2	119802-11270	SUPPORT, ROCKER ARM	3							
8	2	129150-11280	SPRING	4							
9	2	129004-11650	ARM, ROCKER	8							
10	3	129150-11230	SCREW, VALVE ADJUST	8							
12	3	129150-11750	NUT, M8	8							
13	2	26226-080182	STUD, M8X 18	3							
14	1	129150-11370	CAP, VALVE	8							
15	1	129604-11700	HEAD ASSY, CYLINDER	1							
20	2	27241-400000	PLUG, 40	2							
21	2	129005-11100	VALVE, INTAKE	4							
22	2	129100-11112	VALVE, EXHAUST	4							
23	2	129795-11120	SPRING, VALVE	8							
24	2	129795-11180	RETAINER, SPRING	8							
25	2	121400-11340	SEAL, VALVE STEM	4							
26	2	124460-11340	SEAL, VALVE STEM	4							
27	2	27310-080001	COTTER, 8	8							
29	1	120130-11860	GUIDE, VALVE	4							1
30	1	129150-11810	GUIDE, VALVE	4							1
31	1	119802-11870	PROTECTOR, NOZZLE	4							
32	1	119625-11880	SEAT, NOZZLE	4							
33	1	129004-11900	RETAINER, NOZZLE	4							
34	1	120270-54410	WASHER, INJECTOR	4							
35	1	22351-060012	PIN, SPRING 6.0X12	2							
36	1	26106-080252	BOLT, M8X 25 PLATED	3							
37	1	26106-080352	BOLT, M8X 35 PLATED	4							
38	1	26106-080502	BOLT, M8X 50 PLATED	7							
39	1	124160-01751	COVER, FILLER	1							
40	1	129601-11350	BONNET ASSY, HEAD	1							
41	2	129004-03010	PLATE	1							
42	2	129150-03070	BAFFLE, BREATHER	1							
43	2	119802-03110	PLATE	1							
44	2	119802-03121	COVER, DIAPHRAGM	1							
45	2	119802-03130	DIAPHRAGM	1							
46	2	119802-03141	SPRING, DIAPHRAGM	1							
48	2	129601-11310	GASKET, BONNET	1							
49	2	22857-500100	SCREW, 5X10	4							
50	2	22857-500100	SCREW, 5X10	4							
51	1	124160-11360	KNOB	3							
52	1	24311-000120	O-RING, 1AP12.0	3							
53	1	24311-000320	O-RING, 1AP32.0	1							
54	1	129238-77800	HARNES, WIRE	1							
54-1	1	129630-77800	HARNES, WIRE	1							N
(A=E16565)											
55	1	129008-77800	PLUG, GLOW	4							
56	1	129604-77821	CONNECTOR, GLOW PLUG	1							

Remarks

(1) Spare parts.

(A)=4TNV88-BP6DA
(B)=
(C)=

(D)=
(E)=
(F)=



No.	Lev.	Parts No.	Description	Q'ty						I	R
				(A)	(B)	(C)	(D)	(E)	(F)		
1	1	129601-03080	HOSE ASSY, BREATHER	1							
2	2	129410-03990	CLAMP, HOSE 21.5	2							
3	1	129601-12100	MANIFOLD, INTAKE	1							
4	1	129407-12110	GASKET, MANIFOLD	1							
5	1	26106-080202	BOLT, M8X 20 PLATED	6							
6	1	26106-080802	BOLT, M8X 80 PLATED	1							
7	1	129150-77511	GASKET, AIR HEATER	1							
8	1	119803-77520	BEND, AIR HEATER	1							
9	1	26106-080202	BOLT, M8X 20 PLATED	2							
10	1	26106-080802	BOLT, M8X 80 PLATED	2							
11	1	129630-12500	CLEANER ASSY, AIR	1							Z
		(A=E20270)									
12	2	129062-12560	ELEMENT, AIR CLEANER	1							Z
		(A=E20270)									
13	2	129900-12530	COVER ASSY, CLEANER	1							Z
		(A=E20270)									
14	2	119808-12540	VALVE, UNLODER	1							Z
		(A=E20270)									
15	2	126650-12680	INDICATOR	1							Z
		(A=E20270)									
17	1	23000-060000	CLAMP, 60	2							
17-1	1	23000-060000	CLAMP, 60	1							K
		(A=E15636)									
18	1	23000-090000	CLAMP, 90	1							W
		(A=E15636)									

(A)=4TNV88-BP6DA

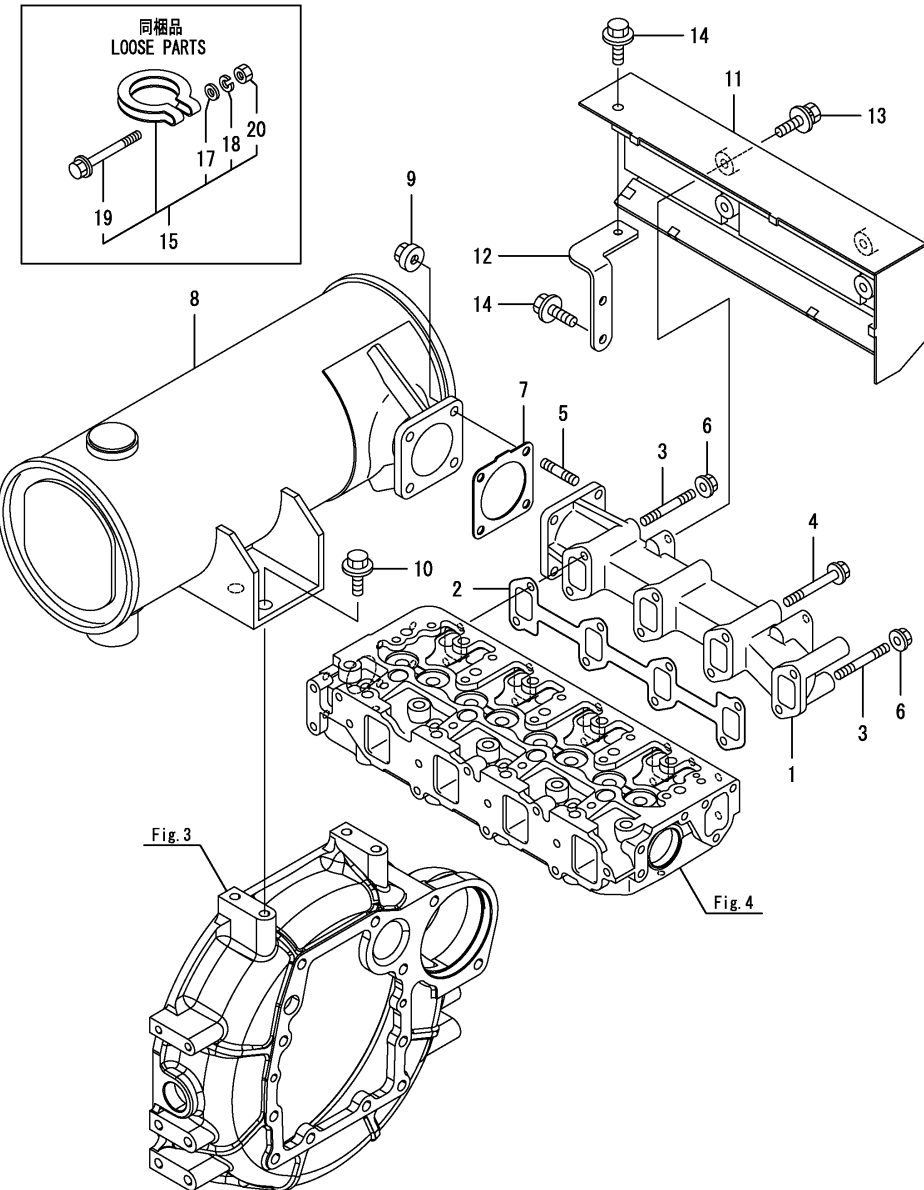
(B)=

(C)=

(D)=

(E)=

(F)=

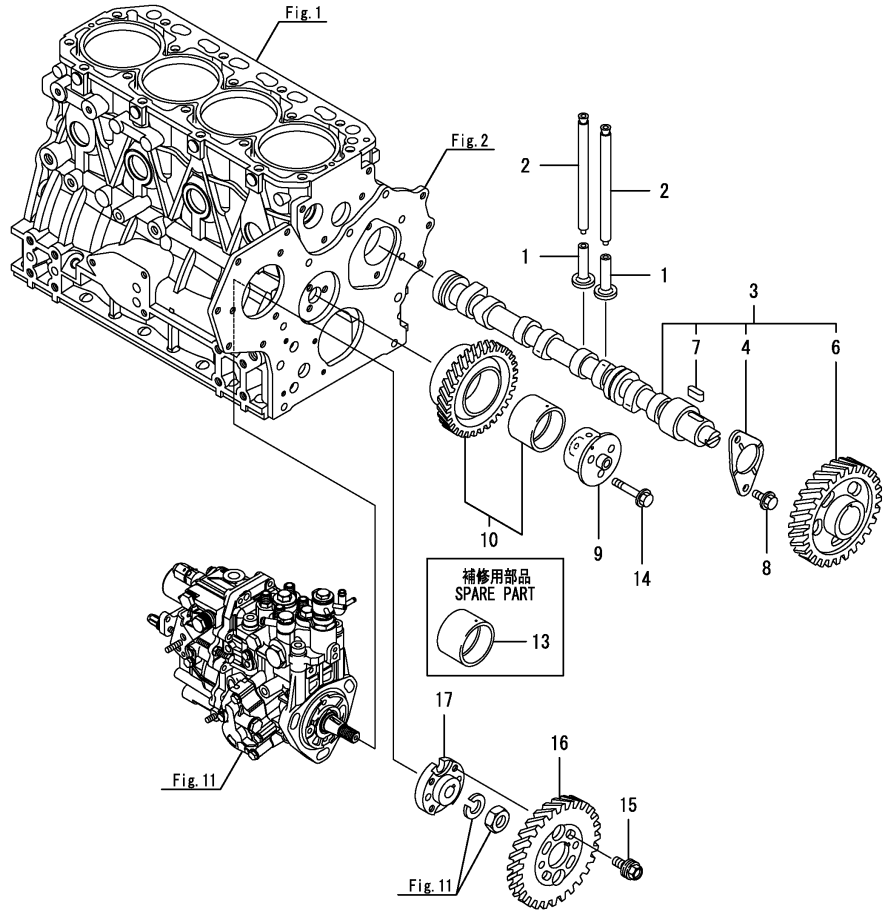


No.	Lev.	Parts No.	Description	Q'ty						I	R
				(A)	(B)	(C)	(D)	(E)	(F)		
1	1	129640-13109	MANIFOLD, EXHAUST	1							
2	1	129550-13110	GASKET, MANIFOLD	1							
3	1	123900-13610	STUD, M8X80	2							
4	1	123900-13630	BOLT, M8X80	6							
5	1	119131-18320	STUD, M8X22	4							
6	1	26306-080002	NUT, M8	2							
7	1	129930-13201	GASKET, SILENCER	1							
8	1	129642-13510	SILENCER	1							
9	1	129612-77260	NUT, ALTERNATOR	4							
10	1	26106-100202	BOLT, M10X 20 PLATED	2							
11	1	129642-13401	COVER, MANIFOLD	1							Z
(A=E20270)											
12	1	129642-13490	RETAINER	1							Z
(A=E20270)											
13	1	119802-13790	BOLT, M8X25 10.9T	4							Z
(A=E20270)											
14	1	26106-080142	BOLT, M8X 14 PLATED	3							Z
(A=E20270)											
15	1	129642-13590	CLAMP ASSY	1							
17	2	22117-100000	WASHER, 10	1							
18	2	22217-100000	WASHER, SPRING 10	1							
19	2	26106-100652	BOLT, M10X 65 PLATED	1							
20	2	26706-100002	NUT, M10	1							

(A)=4TNV88-BP6DA
(B)=
(C)=

(D)=
(E)=
(F)=

No.	Lev.	Parts No.	Description	Q'ty						I	R
				(A)	(B)	(C)	(D)	(E)	(F)		
1	1	129150-14200	TAPPET	8							
2	1	129150-14400	ROD, PUSH L=178	8							
3	1	729402-14580	CAMSHAFT ASSY	1							
4	2	129150-02450	BEARING, THRUST	1							
6	2	129150-14101	GEAR, CAMSHAFT	1							
7	2	22512-070140	KEY, 7X 14	1							
8	1	26106-080142	BOLT, M8X 14 PLATED	2							
9	1	119803-25050	SHAFT, IDLE	1							
10	1	119802-25101	GEAR ASSY, IDLE	1							
13	1	119802-25071	BUSH, IDLE GEAR	1							1
14	1	26106-080402	BOLT, M8X 40 PLATED	3							
15	1	129150-25301	BOLT	4							
16	1	119802-25901	GEAR, PUMP	1							
17	1	158552-51151	FLANGE	1							



Remarks
(1) Spare parts.

(A)=4TNV88-BP6DA

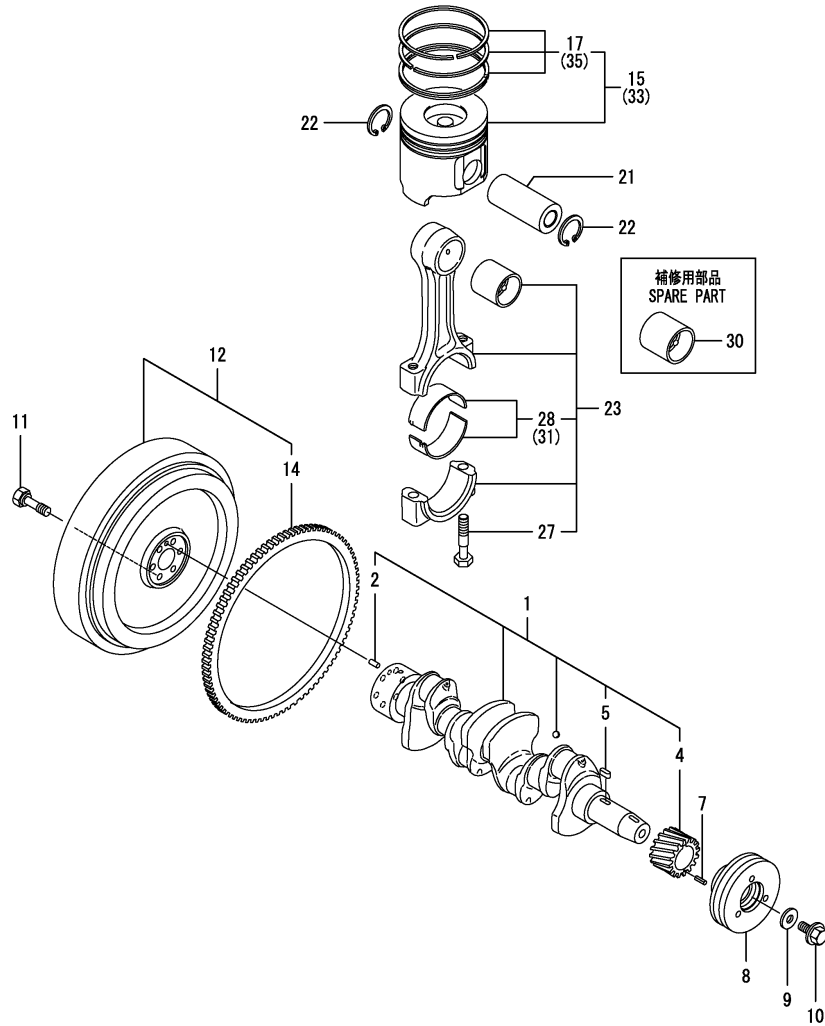
(B)=

(C)=

(D)=

(E)=

(F)=



No.	Lev.	Parts No.	Description	Q'ty						I	R
				(A)	(B)	(C)	(D)	(E)	(F)		
1	1	129604-21000	CRANKSHAFT ASSY	1							
2	2	129100-01580	PIN, 8X16	1							
4	2	119803-21200	GEAR, CRANKSHAFT	1							
5	2	22512-070140	KEY, 7X 14	1							
7	1	22351-030010	PIN, SPRING 3.0X10	1							
8	1	119802-21650	V-PULLEY, 110	1							
9	1	129795-21661	WASHER	1							
10	1	121850-21680	BOLT	1							
11	1	121111-21501	BOLT, FLYWHEEL	6							
12	1	129489-21590	FLYWHEEL ASSY	1							
14	2	119865-21600	GEAR, RING	1							
15	1	129005-22080	PISTON ASSY	4							
17	2	129005-22500	RING SET, PISTON	4							
21	1	129202-22300	PIN, PISTON D26 L70	4							
22	1	22252-000260	RING, 26	8							
23	1	729402-23100	ROD ASSY, CONNECTING	4							
27	2	121550-23200	BOLT, CONNECTING ROD	8							
28	2	129150-23601	BEARING, CRANK PIN	4							
30	1	129100-23910	BEARING, PISTON PIN	4							1
31	1	129150-23611	BEARING, 0.25 US	4							2
33	1	129005-22900	PISTON ASSY, 0.25 OS	4							3
35	2	129005-22950	RING SET, 0.25 OS	4							3

Remarks

- (1) Spare parts.
- (2) Under-sized (U.S.=0.25) parts.
- (3) Over-sized (O.S.=0.25) parts.

(A)=4TNV88-BP6DA

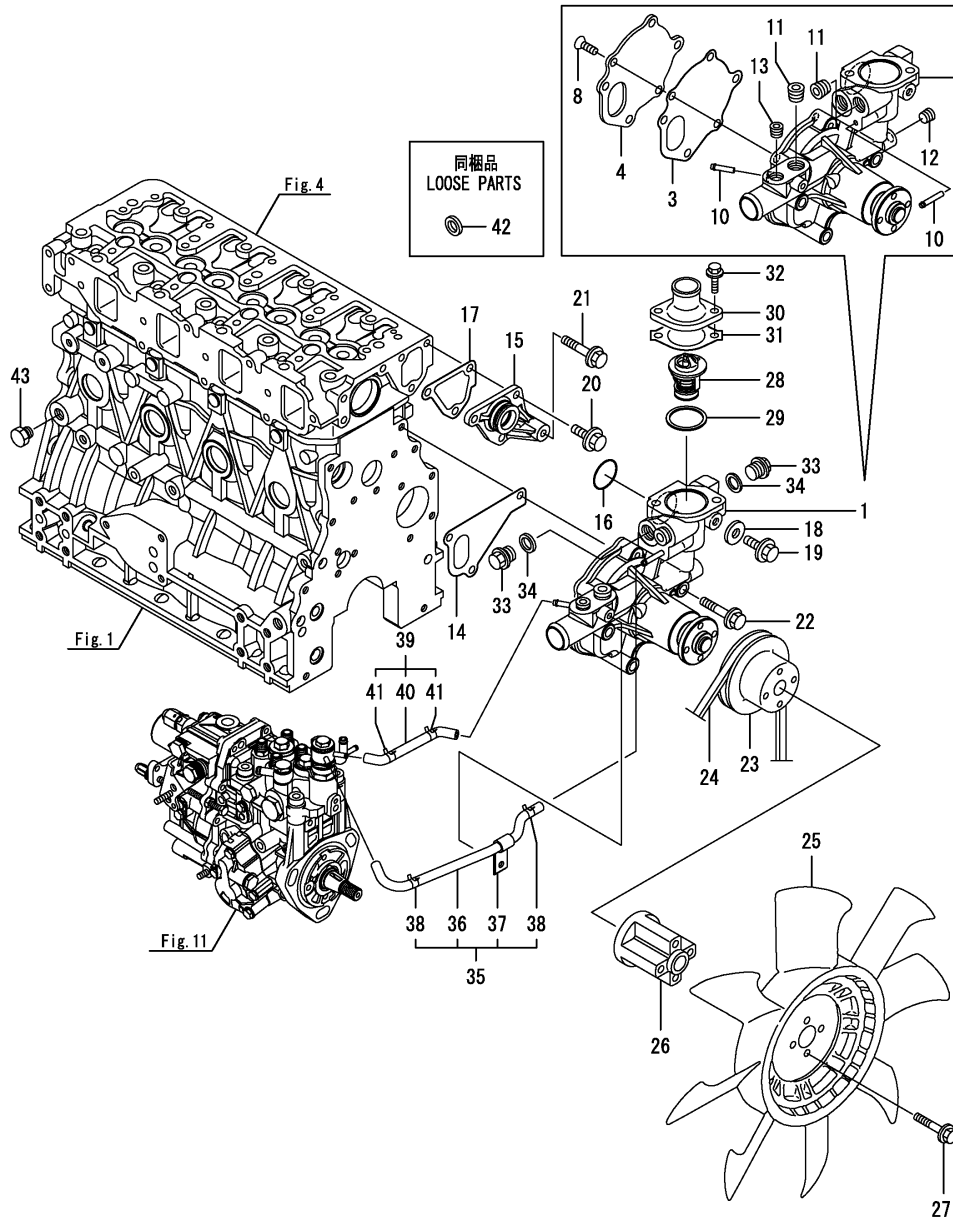
(B)=

(C)=

(D)=

(E)=

(F)=



No.	Lev.	Parts No.	Description	Q'ty						I	R
				(A)	(B)	(C)	(D)	(E)	(F)		
1	1	129004-42001	PUMP ASSY, WATER	1							
3	2	129100-42051	GASKET, WATER PUMP	1							
4	2	129100-42121	PLATE, PUMP	1							
8	2	121850-42410	SCREW	3							
8-1	2	26577-060142	SCREW M 6X 14	3							N
(A=E20507)											
10	2	119802-49113	JOINT, PIPE	2							
11	2	129916-49740	PLUG, R3/8	2							
12	2	23876-010000	PLUG, R01	1							
13	2	23876-020000	PLUG, R02	1							
13-1	2	23875-020000	PLUG, R02	1							N
(A=E20507)											
14	1	129486-42021	GASKET, WATER PUMP	1							
15	1	129004-42040	JOINT, WATER PIPE	1							
16	1	129486-42140	O-RING, G30	1							
17	1	124395-49840	GASKET, THERMOSTAT	1							
18	1	23414-080000	GASKET, 8X1.0	1							
19	1	26106-080122	BOLT, M8X 12 PLATED	1							
20	1	26106-080162	BOLT, M8X 16 PLATED	3							
21	1	26106-080452	BOLT, M8X 45 PLATED	1							
22	1	26106-080602	BOLT, M8X 60 PLATED	3							
23	1	129550-42350	V-PULLEY, PUMP	1							
24	1	129612-42380	V-BELT, A38.5	1							
25	1	129436-44740	FAN, COOLING D=410	1							
26	1	119256-44760	SPACER, FAN	1							
27	1	26106-060602	BOLT, M6X 60 PLATED	4							
28	1	129155-49801	THERMOSTAT, 71C	1							
29	1	129150-49811	GASKET, THERMOSTAT	1							
30	1	129350-49530	COVER, THERMOSTAT	1							
31	1	129795-49551	GASKET, COVER	1							
32	1	26106-080222	BOLT, M8X 22 PLATED	2							
33	1	160769-01690	PLUG, DRAIN 16	2							
34	1	22190-160000	WASHER, SEAL 16	2							
35	1	129004-49610	HOSE ASSY, WATER A	1							
36	2	129004-49711	HOSE, WATER A	1							
37	2	119802-49730	RETAINER, PIPE	1							
38	2	124722-59050	CLAMP, HOSE 9	2							
39	1	129004-49620	HOSE ASSY, WATER B	1							
40	2	129004-49721	HOSE, WATER B	1							
41	2	124722-59050	CLAMP, HOSE 9	2							
42	1	129150-49360	GASKET, 10	1							
43	1	171056-49120	PLUG, DRAIN R1/4	1							W
(A=E15636)											

(A)=4TNV88-BP6DA

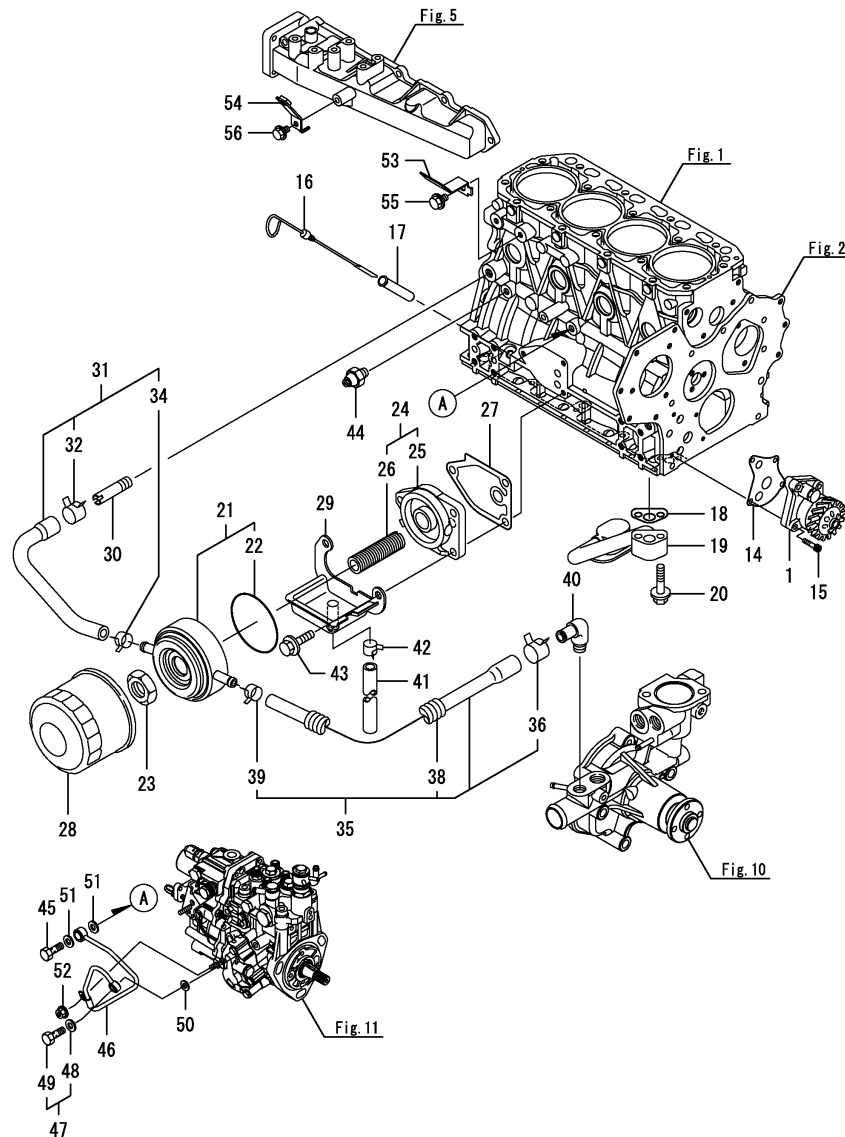
(B)=

(C)=

(D)=

(E)=

(F)=



No.	Lev.	Parts No.	Description	Q'ty						I	R
				(A)	(B)	(C)	(D)	(E)	(F)		
1	1	129407-32000	PUMP ASSY, OIL	1							
1-1	1	129407-32001	PUMP ASSY, OIL	1							N
		(A=E29735)									
14	1	129150-32020	GASKET, PUMP	1							
15	1	26450-060252	BOLT, M6X 25	4							
16	1	129630-34800	DIPSTICK, OIL	1							
16-1	1	129630-34801	DIPSTICK, OIL	1							N
		(A=E15636)									
17	1	121520-34810	GUIDE, DIPSTICK	1							
18	1	129150-35042	GASKET	1							
19	1	129630-35300	PIPE ASSY, OIL INLET	1							
20	1	26106-080352	BOLT, M8X 35 PLATED	2							
21	1	129508-33010	COOLER ASSY, OIL	1							Z
		(A=E15636)									
22	2	129508-33050	O-RING	1							Z
		(A=E15636)									
23	1	129417-33110	NUT	1							Z
		(A=E15636)									
24	1	129006-35100	BRACKET ASSY, FILTER	1							
24-1	1	119802-35100	BRACKET ASSY, FILTER	1							N
		(A=E15636)									
25	2	119802-35110	BRACKET, FILTER	1							
26	2	129417-35150	STUD, L=67	1							
26-1	2	129100-35140	STUD	1							N
		(A=E15636)									
27	1	129150-35111	GASKET	1							
28	1	129150-35153	FILTER	1							1
29	1	129240-35800	OIL PAN	1							
30	1	129122-44480	JOINT	1							Z
		(A=E15636)									
31	1	129508-49030	PIPE ASSY, WATER	1							Z
		(A=E15636)									
32	2	171008-03990	CLIP, HOSE 18.5	1							Z
		(A=E15636)									
34	2	23080-015000	CLAMP, 15	1							Z
		(A=E15636)									
35	1	129642-49040	PIPE ASSY, WATER	1							Z
		(A=E15636)									
36	2	171008-03990	CLIP, HOSE 18.5	1							Z
		(A=E15636)									
38	2	129642-49180	TUBE, CORRUGATED	1							Z
		(A=E15636)									
39	2	23080-015000	CLAMP, 15	1							Z
		(A=E15636)									
40	1	129103-49301	ELBOW, PT1/4	1							Z
		(A=E15636)									
41	1	23065-120250	PIPE, 12X 250	1							
41-1	1	23065-120230	PIPE, 12X 230	1							N
		(A=E15636)									
42	1	23080-014000	CLAMP, 14	1							
43	1	26106-080222	BOLT, M8X 22 PLATED	3							

Remarks

(1) Spare parts.

(A)=4TNV88-BP6DA

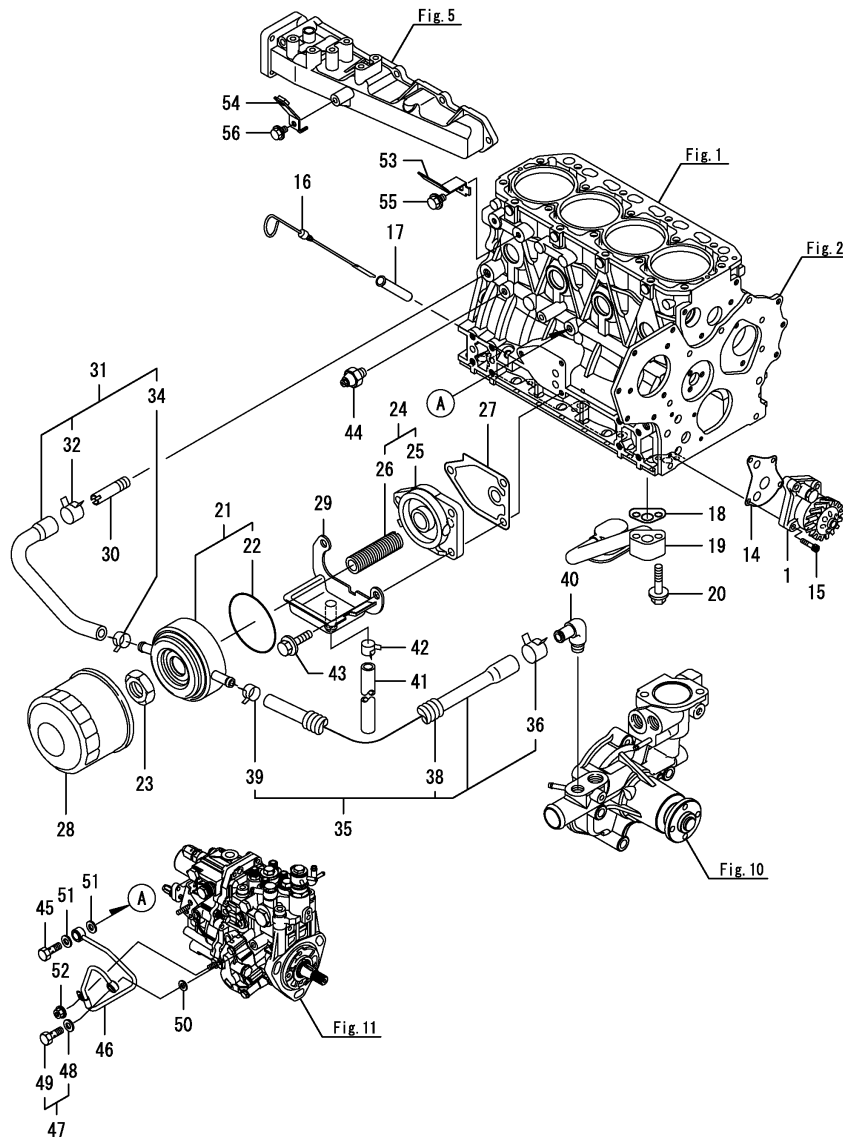
(B)=

(C)=

(D)=

(E)=

(F)=



No.	Lev.	Parts No.	Description	Q'ty						I	R
				(A)	(B)	(C)	(D)	(E)	(F)		
43-1	1	26106-080202 (A=E15636)	BOLT, M8X 20 PLATED	3							N
44	1	121252-39450	SWITCH, 0.5KG	1							
45	1	124160-39140	BOLT, PIPE JOINT M10	1							
46	1	119802-39450	PIPE ASSY, OIL	1							
47	1	129005-59830	BOLT ASSY, JOINT M8	1							
48	2	22190-080002	WASHER, SEAL 8	1							
49	2	23857-030000	BOLT, JOINT 3	1							
50	1	22190-080002	WASHER, SEAL 8	1							
51	1	22190-100002	WASHER, SEAL 10	2							
52	1	26366-060002	NUT, M6	1							
53	1	129136-66852	SUPPORT	1							
54	1	129642-77810 (A=E16565)	BRACKET	1							Z
55	1	26106-080122 (A=E16565)	BOLT, M8X 12 PLATED	1							
56	1	26106-080162 (A=E16565)	BOLT, M8X 16 PLATED	1							Z

Remarks

(1) Spare parts.

(A)=4TNV88-BP6DA

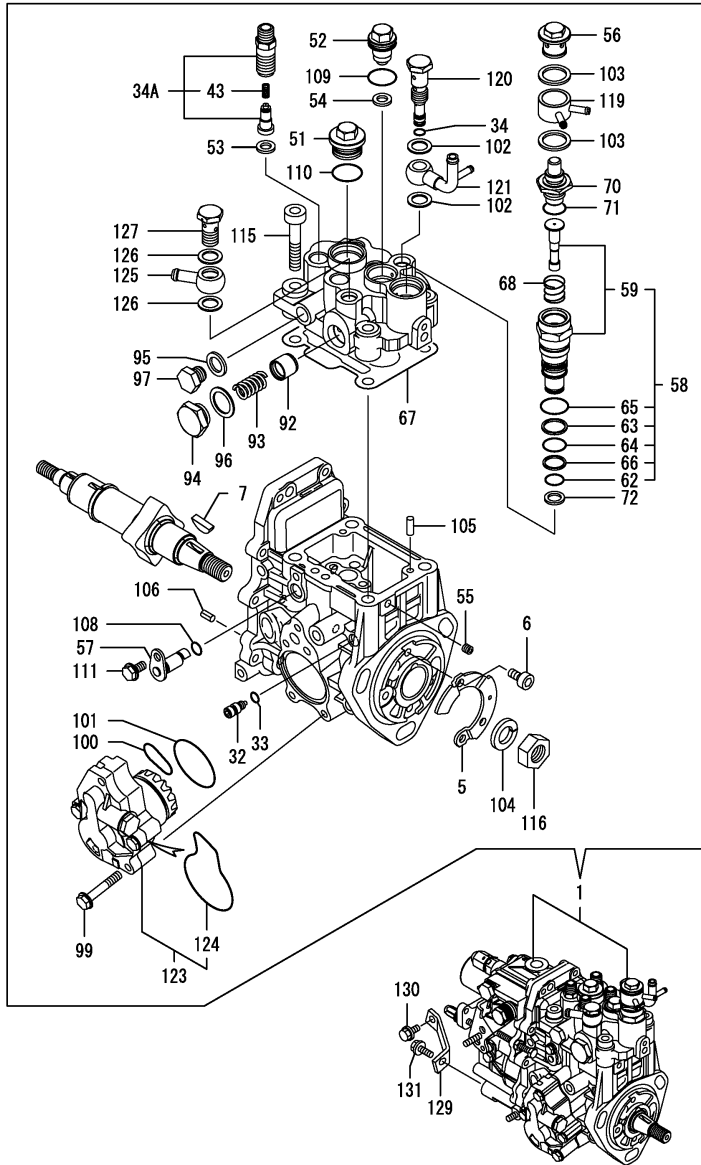
(B)=

(C)=

(D)=

(E)=

(F)=



No.	Lev.	Parts No.	Description	Q'ty						I	R
				(A)	(B)	(C)	(D)	(E)	(F)		
1	1	729630-51360	PUMP ASSY, INJECTION	1							1
1-1	1	729630-51361 (A=E19457)	PUMP ASSY, INJECTION	1							N 1
1-2	1	729630-51470 (A=E20270)	PUMP ASSY, INJECTION	1							S 2
5	2	129008-51900 (A=E20150)	COVER, GEAR CASE	1							W
6	2	129008-51920 (A=E20150)	BOLT, M6X10	2							W
7	2	119802-51090	KEY, 4X16	1							
32	2	158600-51270	STOPPER, TAPPET	1							
33	2	158563-51281	O-RING, 4D S6	1							
34	2	158563-51281	O-RING, 4D S6	1							
34A	2	129008-51390 (A=E17615)	VALVE ASSY, DELIVERY	4							W
43	3	158563-51330	SPRING, DELIVERY	4							
51	2	158601-51550	PLUG	1							
52	2	119802-51560	PLUG, BARREL	1							
53	2	158552-51570	GASKET	4							
53-1	2	158552-51571 (A=E17789)	GASKET	4							R
54	2	158552-51570	GASKET	1							
54-1	2	158552-51571 (A=E17789)	GASKET	1							R
55	2	158557-51570	PLUG	1							
56	2	158601-51570	PLUG	1							
57	2	158552-51580	LIFTER	1							
58	2	119802-51590	TIMER SET	1							
59	3	119802-51600	TIMER ASSY	1							
62	3	158553-51670	O-RING, 1011	1							
63	3	119802-51680	RING, BACK UP	1							
64	3	119802-51690	O-RING	1							
65	3	24356-010200	O-RING, 4D1020	1							
65-1	3	24356-190200 (A=*2010.01)	O-RING, 4D19020	1							R
66	3	24372-000150	RING, BACK UP T2P15	1							
67	2	158552-51600	GASKET	1							
68	2	158553-51630	SPRING, TIMER	1							
70	2	158553-51640	ELEMENT	1							
70-1	2	158553-51650 (A=E19457)	ELEMENT	1							N
71	2	158553-51660	O-RING, P14	1							
72	2	158553-51680	GASKET	1							
92	2	158601-51770	PISTON	1							
93	2	158552-51781	SPRING	1							
94	2	158601-51790	PLUG	1							
95	2	22190-120002	WASHER, SEAL 12	1							
96	2	22190-180002	WASHER, SEAL 18	1							
97	2	23887-120002	PLUG, 12	1							
97-1	2	158553-51930 (A=E19825)	PLUG, M12	1							R

Remarks

- (1)Governor(Fig.12) is incorporated in this Fuel Injection Pump (No.1).
- (2)Interchangeable by simultaneous replacement with No.1-2 Fig.13 No.1-1.

(A)=4TNV88-BP6DA

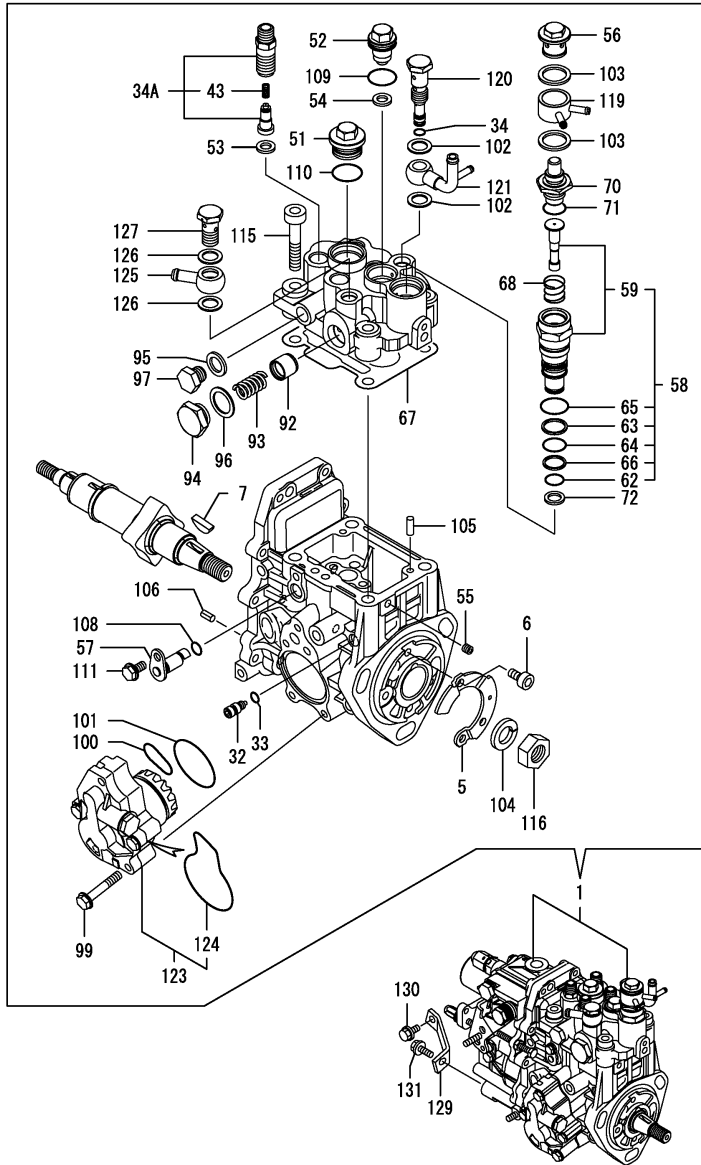
(B)=

(C)=

(D)=

(E)=

(F)=



No.	Lev.	Parts No.	Description	Q'ty						I	R
				(A)	(B)	(C)	(D)	(E)	(F)		
99	2	158553-51770	BOLT	4							
100	2	158552-52310	O-RING	1							
100-1	2	158552-52311	O-RING	1							R
(A=E20507)											
101	2	158552-52400	O-RING, 4E S42	1							
102	2	22190-120002	WASHER, SEAL 12	2							
103	2	22190-180002	WASHER, SEAL 18	2							
104	2	22217-140000	WASHER, SPRING 14	1							
105	2	22312-050140	PIN, PARALLEL 5X14	2							
106	2	22351-050010	PIN, SPRING 5.0X10	2							
108	2	24311-000070	O-RING, 1AP7.0	1							
109	2	24356-010180	O-RING, 4D1018	1							
109-1	2	24356-190180	O-RING, 4D19018	1							R
(A=*2010.01)											
110	2	24356-010200	O-RING, 4D1020	1							
110-1	2	24356-190200	O-RING, 4D19020	1							R
(A=*2010.01)											
111	2	26106-060102	BOLT, M6X 10 PLATED	1							
115	2	26450-080452	BOLT, M8X 45	4							
116	2	26776-140002	NUT, LOCK M14	1							
119	2	158553-51551	JOINT	1							
120	2	158601-51650	JOINT, OVER FLOW	1							
121	2	158552-51670	JOINT, OVER FLOW	1							
123	2	158552-52100	PUMP ASSY, FUEL FEED	1							
124	3	158552-52500	O-RING	1							
125	2	129916-59020	JOINT, PIPE 12	1							
126	2	22190-120002	WASHER, SEAL 12	2							
127	2	23857-060000	BOLT, JOINT 6	1							
129	1	129601-51250	RETAINER, PUMP	1							
130	1	26106-080162	BOLT, M8X 16 PLATED	1							
131	1	26106-080202	BOLT, M8X 20 PLATED	1							

Remarks

- (1)Governor(Fig.12) is incorporated in this Fuel Injection Pump (No.1).
- (2)Interchangeable by simultaneous replacement with No.1-2 Fig.13 No.1-1.

(A)=4TNV88-BP6DA

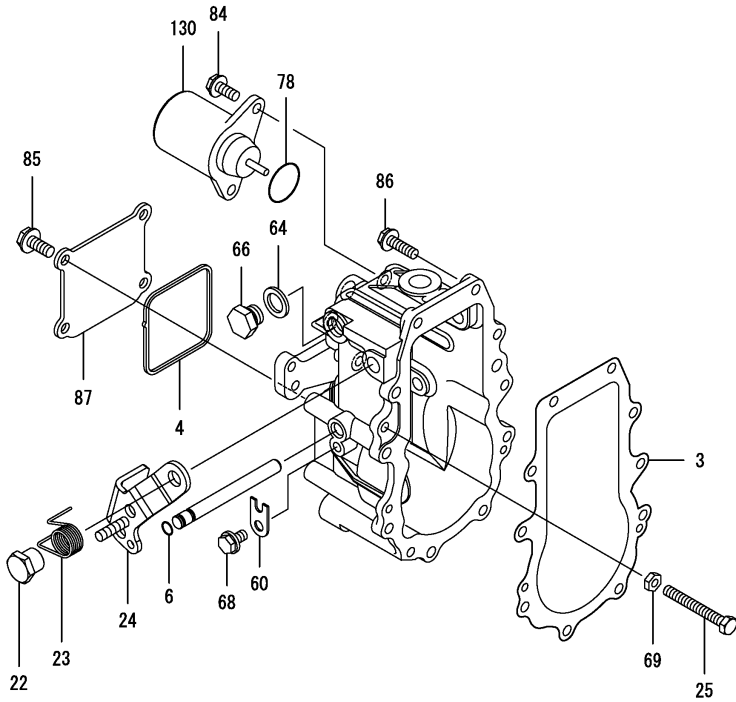
(B)=

(C)=

(D)=

(E)=

(F)=



No.	Lev.	Parts No.	Description	Qty						I	R
				(A)	(B)	(C)	(D)	(E)	(F)		
3	2	158553-61050	GASKET	1							
4	2	158553-61070	GASKET	1							
6	2	129155-51280	O-RING, S6	1							
22	2	129255-61410	NUT, LOCK	1							
23	2	119807-61420	SPRING, RETURN	1							
24	2	129642-61440	LEVER, REGULATOR	1							
25	2	129155-61460	BOLT, IDLE	1							
60	2	119660-61901	RETAINER, SHAFT	1							
64	2	22190-120000	WASHER, SEAL 12	1							
64-1	2	22190-120002	WASHER, SEAL 12	1							R
(A=*2009.03)											
66	2	23887-120002	PLUG, 12	1							
66-1	2	158553-51930	PLUG, M12	1							R
(A=E19825)											
68	2	26106-060102	BOLT, M6X 10 PLATED	1							
69	2	26756-060002	NUT, LOCK M6	1							
78	2	158552-61900	O-RING	1							
84	2	26106-060142	BOLT, M6X 14 PLATED	2							
85	2	26106-060142	BOLT, M6X 14 PLATED	4							
86	2	26106-060202	BOLT, M6X 20 PLATED	10							
87	2	129642-61060	COVER, GOVERNOR CASE	1							
130	2	119233-77932	SOLENOID, STOP	1							

Remarks

* This figure(Governor) is incorporated in the Fuel Injection Pump(Fig.11).

N:Old $\xrightarrow{\text{Yes}}$ New, Q:Old $\xrightarrow{\text{No}}$ New, R:Old $\xrightarrow{\text{Yes}}$ New, S:Old $\xrightarrow{\text{No}}$ New, W:Add, Z:Discontinued, F:Interchangeable by set, K:Qty Change

(A)=4TNV88-BP6DA

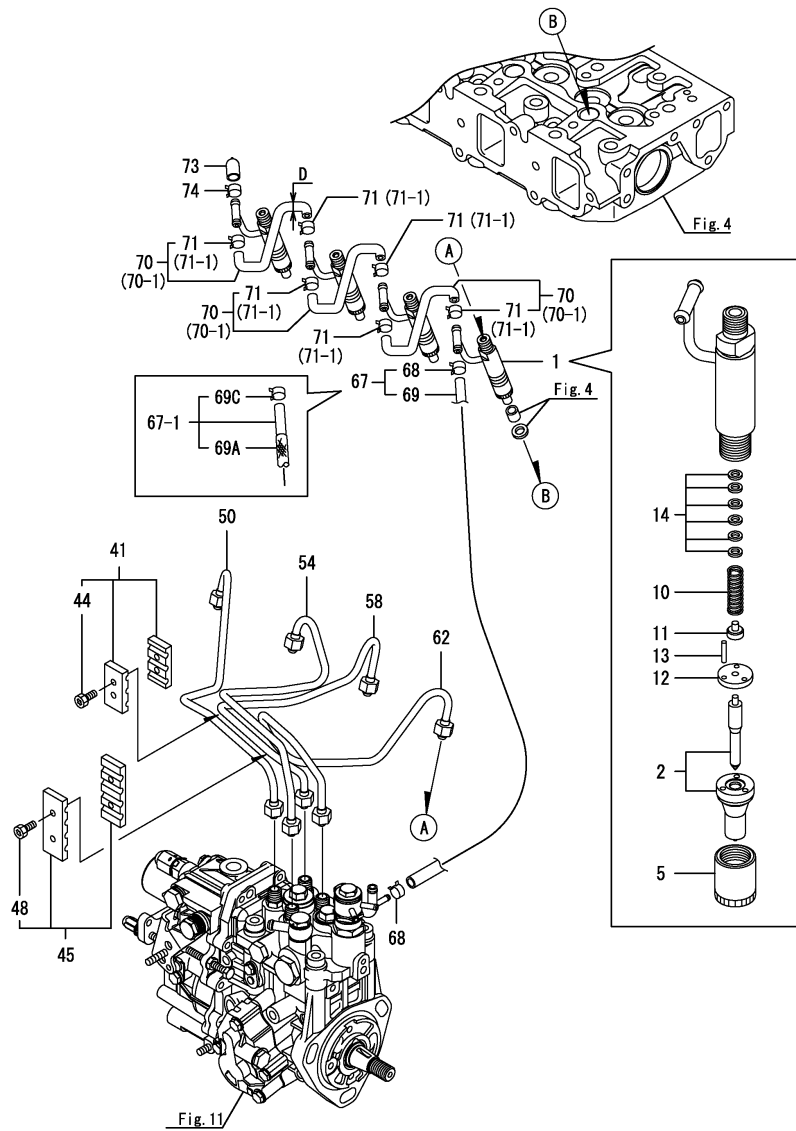
(B)=

(C)=

(D)=

(E)=

(F)=



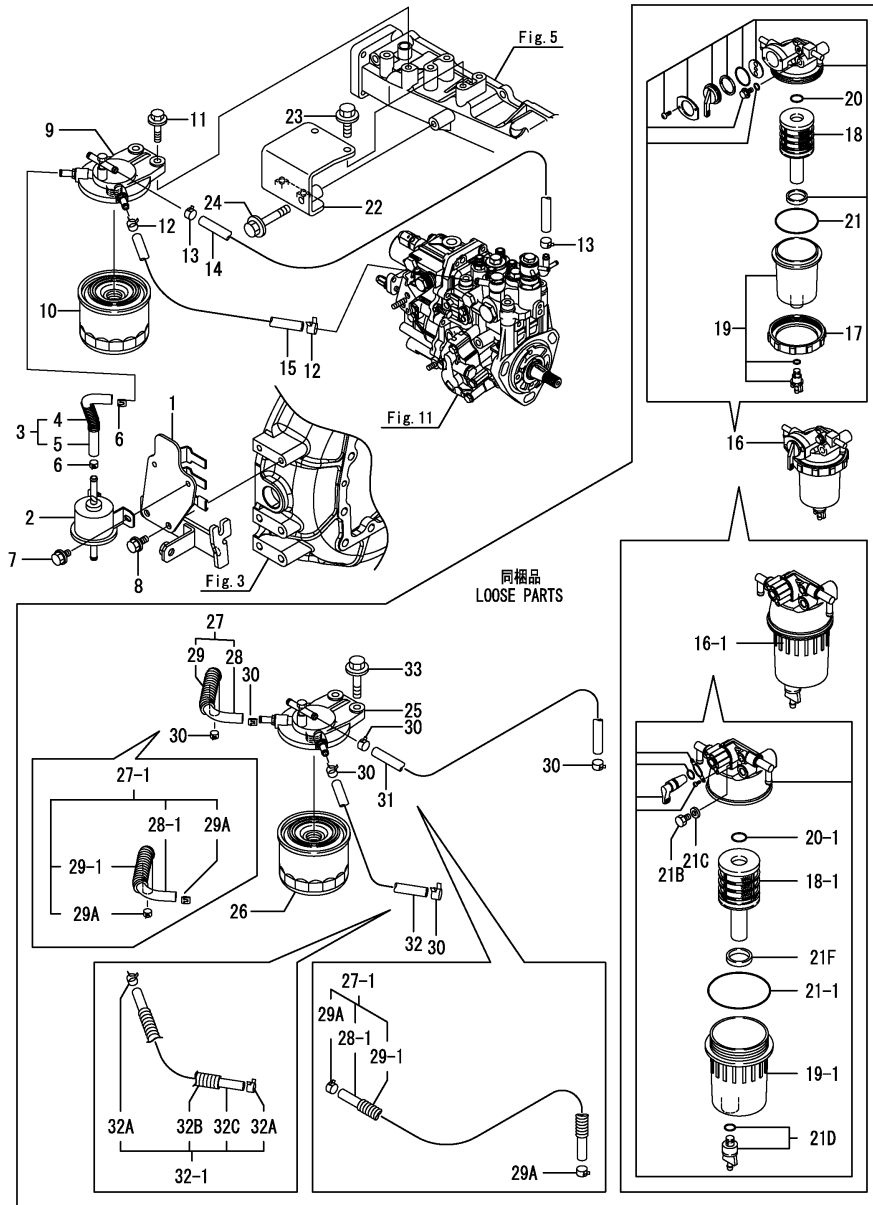
No.	Lev.	Parts No.	Description	Q'ty						I	R
				(A)	(B)	(C)	(D)	(E)	(F)		
1	1	729604-53100	VALVE ASSY,INJECTION	4							
1-1	1	729604-53300	VALVE ASSY,INJECTION	4						S	1
(A=E20270)											
2	2	129604-53000	VALVE ASSY,INJECTION	4							
2-1	2	129604-53300	VALVE ASSY,INJECTION	4						S	
(A=E20270)											
5	2	114250-53080	NUT, NOZZLE	4							
10	2	114250-53120	SPRING, NOZZLE	4							
11	2	114250-53130	SEAT, SPRING	4							
12	2	114250-53140	SPACER, VALVE STOP	4							
13	2	114250-53210	PIN, POSITIONING	8							
14	2	119803-53400	SHIM SET	4							
41	1	129150-59120	RETAINER, PIPE	1							
44	2	129150-59131	BOLT, M4X14	2							
45	1	129550-59120	RETAINER, PIPE	1							
48	2	129150-59131	BOLT, M4X14	2							
50	1	129601-59810	PIPE ASSY, INJECTION	1							
54	1	129601-59820	PIPE ASSY, INJECTION	1							
58	1	129601-59830	PIPE ASSY, INJECTION	1							
62	1	129601-59840	PIPE ASSY, INJECTION	1							
67	1	119802-59550	HOSE ASSY, RETURN	1							
67-1	1	129268-59551	PIPE ASSY, RETURN	1						F	2
(A=E43007)											
68	2	124722-59050	CLAMP, HOSE 9	2						Z	
(A=E43007)											
69	2	119802-59560	HOSE, FUEL RETURN	1						Z	
(A=E43007)											
69A	2	129237-59120	PROTECTOR, MESH	1						W	
(A=E43007)											
69C	2	124060-77680	CLAMP, HOSE 10	2						W	
(A=E43007)											
70	1	129486-59551	HOSE ASSY, RETURN	3							
70-1	1	129486-59581	HOSE, FUEL RETURN	3						F	2
(A=E43007)											
71	2	124722-59050	CLAMP, HOSE 9	6							
71-1	2	124060-77680	CLAMP, HOSE 10	6						S	
(A=E43007)											
73	1	119593-59581	CAP, RETURN PIPE	1							
74	1	124060-77680	CLAMP, HOSE 10	1							

Remarks

(1)Interchangeable by simultaneous replacement with No.1-1 & Fig.11 No.1-2.

(2)No.67-1 & 70-1 are interchangeable by set.

D=No.70 : 9mm, No.70-1 : 11mm.



(A)=4TNV88-BP6DA

(B)=

(C)=

(D)=

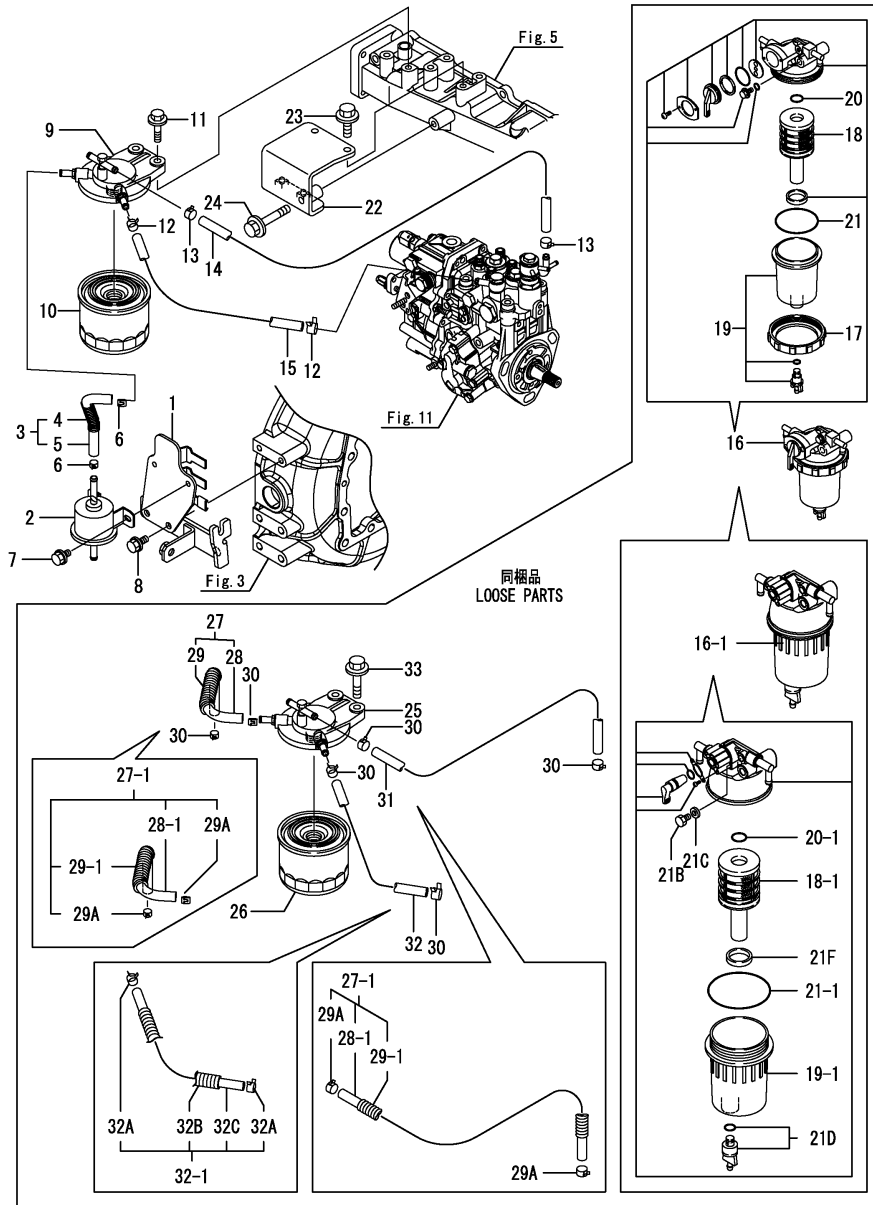
(E)=

(F)=

No.	Lev.	Parts No.	Description	Q'ty						I	R
				(A)	(B)	(C)	(D)	(E)	(F)		
1	1	129630-50100	BRACKET ASSY, PUMP	1							
2	1	129612-52100	PUMP, FUEL FEED	1							
3	1	129642-59010	PIPE ASSY, FUEL	1							Z
		(A=E15636)									
4	2	129642-59110	TUBE, CORRUGATED 15	1							Z
		(A=E15636)									
5	2	129642-59210	PIPE, PUMP-FILTER	1							Z
		(A=E15636)									
6	1	129612-59050	CLIP, HOSE 12	2							Z
		(A=E15636)									
7	1	26106-060122	BOLT, M6X 12 PLATED	2							
8	1	26106-080202	BOLT, M8X 20 PLATED	2							
9	1	129642-55611	BRACKET, FILTER	1							Z
		(A=E15636)									
10	1	119802-55801	FILTER, FUEL	1							Z
		(A=E15636)									
11	1	26106-080302	BOLT, M8X 30 PLATED	2							Z
		(A=E15636)									
12	1	129612-59050	CLIP, HOSE 12	2							Z
		(A=E15636)									
13	1	129612-59050	CLIP, HOSE 12	2							Z
		(A=E15636)									
14	1	105025-59530	HOSE, FUEL D13X400	1							Z
		(A=E15636)									
15	1	105325-59570	PIPE, FUEL	1							Z
		(A=E15636)									
16	1	129642-55700	SEPARATOR ASSY, WATER	1							
16-1	1	129630-55750	SEPARATOR ASSY, OW	1							F 1
		(A=E43007)									
17	2	129100-55690	NUT, RETAINING	1							Z
		(A=E43007)									
18	2	119802-55710	ELEMENT, FUEL	1							
18-1	2	129242-55730	ELEMENT, FUEL FILTER	1							S
		(A=E43007)									
19	2	119802-55730	CUP ASSY, SEPARATOR	1							
19-1	2	129242-55720	CUP, SEPARATOR	1							S
		(A=E43007)									
20	2	24311-000160	O-RING, 1AP16.0	1							
20-1	2	24316-000160	O-RING, 4DP16.0	1							S
		(A=E43007)									
21	2	24321-000650	O-RING, 1AG65.0	1							
21-1	2	24326-000750	O-RING, 4DG75.0	1							S
		(A=E43007)									
21B	2	129242-55750	VALVE, AIR VENT	1							W
		(A=E43007)									
21C	2	129242-55760	GASKET, PLUG	1							W
		(A=E43007)									
21D	2	129E32-55740	PLUG ASSY	1							W
		(A=E43007)									
21F	2	129242-55770	FLOAT	1							W
		(A=E43007)									

Remarks

(1)No.16-1, 27-1 & 32-1 are interchangeable by set.
Full length =No.27 & 28 : 210mm, No.27-1 & 28-1 : 220mm.



同梱品
LOOSE PARTS

(A)=4TNV88-BP6DA

(B)=

(C)=

(D)=

(E)=

(F)=

No.	Lev.	Parts No.	Description	Q'ty						I	R
				(A)	(B)	(C)	(D)	(E)	(F)		
22	1	129630-55700 (A=E17516)	BRACKET, FILTER	1							W
23	1	26106-080202 (A=E17516)	BOLT, M8X 20 PLATED	2							W
24	1	26106-080452 (A=E17516)	BOLT, M8X 45 PLATED	1							W
25	1	129642-55611 (A=E15636)	BRACKET, FILTER	1							W
25-1	1	129238-55610 (A=E39677)	BRACKET, FO FILTER	1							N
26	1	119802-55801 (A=E15636)	FILTER, FUEL	1							W
27	1	129630-59020 (A=E15636)	PIPE ASSY, FUEL	1							W
27-1	1	129236-59000 (A=E43007)	PIPE ASSY, FUEL	2							F 1
28	2	129630-59030 (A=E15636)	PIPE, FUEL	1							W
28-1	2	129236-59500 (A=E43007)	PIPE, FUEL	2							S
29	2	129642-59110 (A=E15636)	TUBE, CORRUGATED 15	1							W
29-1	2	129044-59100 (A=E43007)	TUBE, CORRUGATED 15	2							S
29A	2	124766-59050 (A=E43007)	CLAMP, HOSE 11.5	4							W
30	1	129612-59050 (A=E15636)	CLIP, HOSE 12	6							W
31	1	129044-59510 (A=E15636)	HOSE, FUEL L=220	1							W
31-1	1	129044-59510 (A=E43007)	HOSE, FUEL L=220	1							Z
32	1	105025-59750 (A=E15636)	HOSE, FUEL	1							W
32-1	1	119946-59200 (A=E43007)	PIPE ASSY, FUEL	1							F 1
32A	2	124766-59050 (A=E43007)	CLAMP, HOSE 11.5	2							W
32B	2	129957-59120 (A=E43007)	TUBE, CORRUGATED 15	1							W
32C	2	119946-59500 (A=E43007)	PIPE, FUEL	1							W
33	1	26106-080352 (A=E15636)	BOLT, M8X 35 PLATED	2							W

Remarks

(1)No.16-1, 27-1 & 32-1 are interchangeable by set.
Full length =No.27 & 28 : 210mm, No.27-1 & 28-1 : 220mm.

(A)=4TNV88-BP6DA

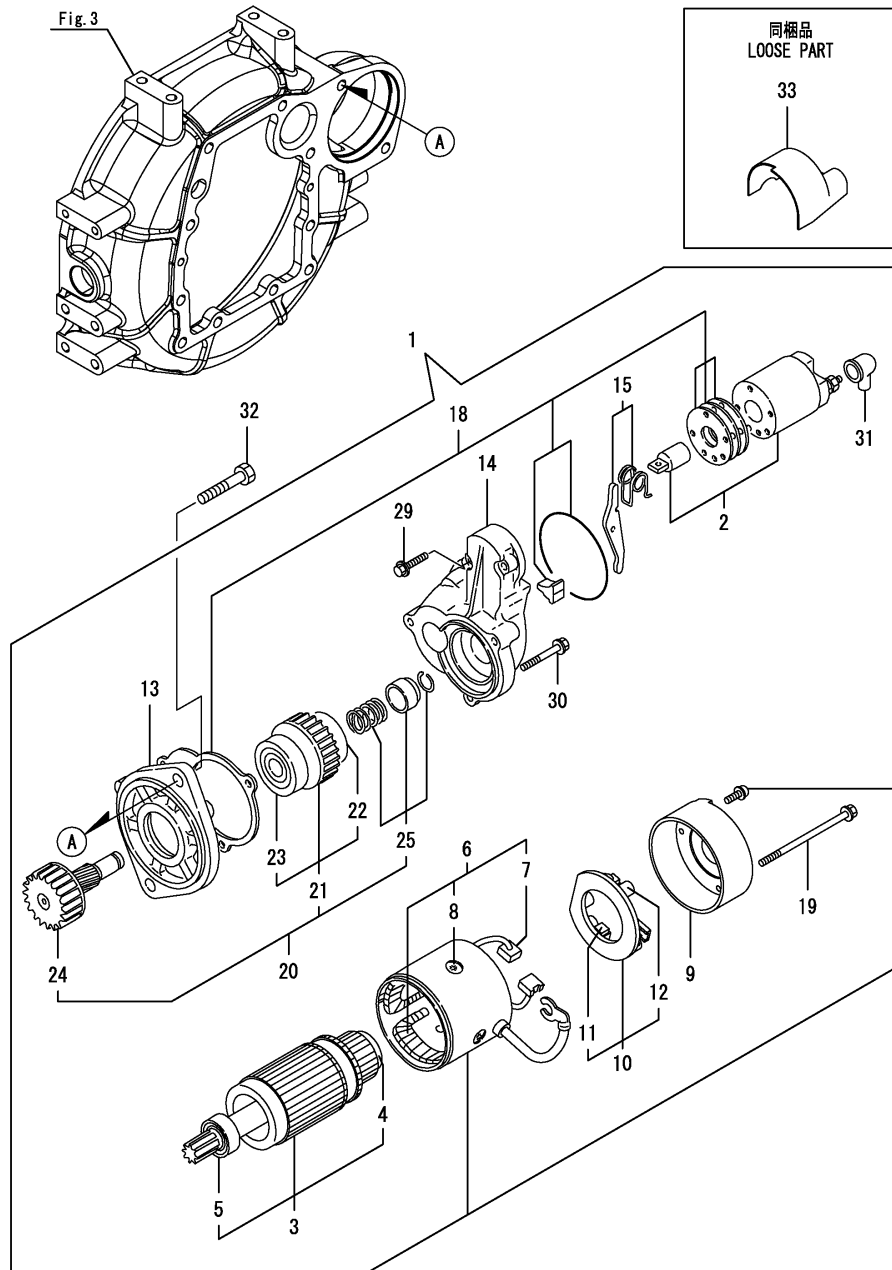
(B)=

(C)=

(D)=

(E)=

(F)=



No.	Lev.	Parts No.	Description	Q'ty						I	R
				(A)	(B)	(C)	(D)	(E)	(F)		
1	1	129136-77011	STARTER	1							
1-1	1	129632-77010	STARTER	1							N
(A=E38774)											
2	2	129136-77310	SWITCH ASSY, MAGNET	1							
2-1	2	129632-77310	SWITCH ASSY, STARTER	1							N
(A=E38774)											
3	2	129900-77400	ARMATURE ASSY	1							
4	3	X2130350900	BEARING, BALL	1							
5	3	X2114255110	BEARING, BALL	1							
6	2	129900-77440	COIL ASSY, FIELD	1							
7	3	129900-77450	BRUSH, +	2							
8	3	171008-77450	SCREW, CORE SET	4							
9	2	129900-77460	COVER, REAR	1							
10	2	129900-77480	HOLDER ASSY, BRUSH	1							
11	3	129900-77450	BRUSH, +	2							
12	3	129400-77490	SPRING, BRUSH	4							
13	2	171008-77510	CASE, GEAR	1							
14	2	129136-77520	HOUSING, STARTOR	1							
15	2	171008-77540	LEVER SET, SHIFT	1							
18	2	129400-77571	COVER KIT, DUST	1							
19	2	129900-77640	BOLT, THROUGH	2							
20	2	171008-77650	PINION ASSY, W/CLUTCH	1							
21	3	X2114555500	CLUTCH ASSY	1							
22	4	X2114955020	BEARING, BALL	1							
23	4	X2240410100	BEARING, BALL	1							
24	3	171008-77660	SHAFT, PINION	1							
25	3	171008-77670	STOPPER SET, PINION	1							
29	2	26106-060322	BOLT, M6X 32 PLATED	2							
30	2	26106-060402	BOLT, M6X 40 PLATED	3							
31	2	171008-77750	COVER, TERMINAL	1							
32	1	26116-120252	BOLT, M12X 25 PLATED	2							
32-1	1	26106-120252	BOLT, M12X 25 PLATED	2							R
(A=E22299)											
33	1	129012-77920	COVER, TERMINAL	1							

(A)=4TNV88-BP6DA

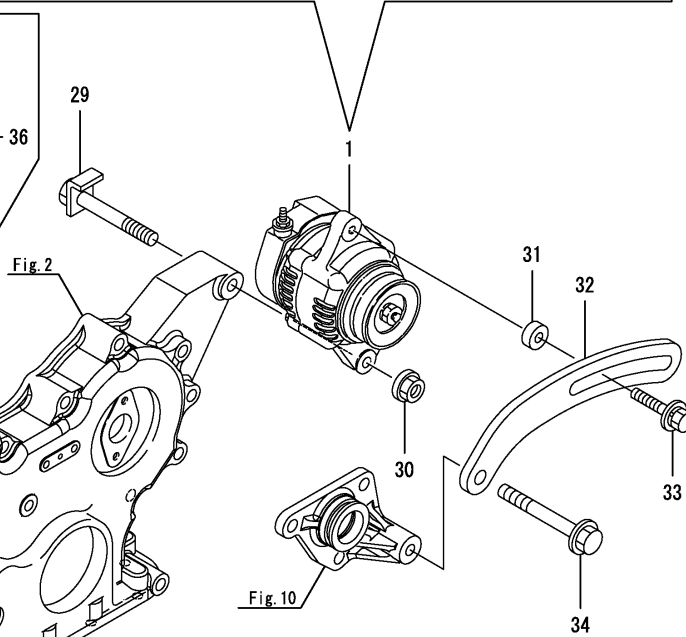
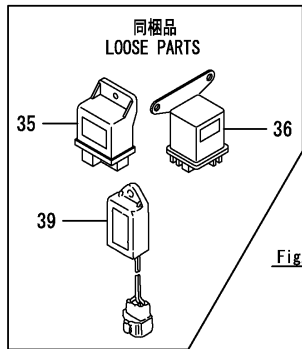
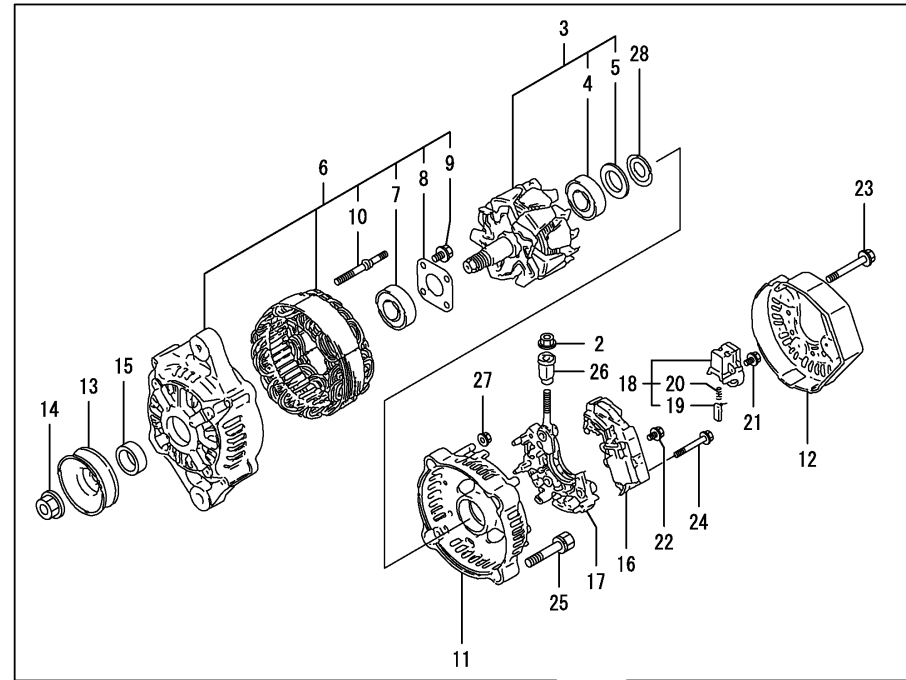
(B)=

(C)=

(D)=

(E)=

(F)=



No.	Lev.	Parts No.	Description	Q'ty						I	R
				(A)	(B)	(C)	(D)	(E)	(F)		
1	1	129423-77200	GENERATOR, 12V-40A	1							
2	2	X9490561001	NUT	1							
3	2	119620-77380	ROTOR ASSY	1							
4	3	123501-79240	BEARING, BALL	1							
5	3	119620-79250	COVER, BEARING	1							
6	2	119620-77421	FRAME ASSY, DRIVE	1							
7	3	119620-79200	BEARING, BALL	1							
8	3	119620-79210	PLATE, RETAINER	1							
9	3	119620-79220	SCREW	4							
10	3	119620-79230	STUD	2							
11	2	119620-77440	FRAME ASSY, REAR	1							
12	2	129240-79300	COVER	1							
13	2	119620-77461	PULLEY, GENERATOR	1							
14	2	119620-77471	NUT	1							
15	2	119620-77490	COLLAR	1							
16	2	129423-77710	REGULATOR ASSY	1							
17	2	119620-79260	HOLDER ASSY	1							
18	2	129052-79270	HOLDER ASSY, BRUSH	1							
19	3	119620-77480	BRUSH ASSY, SUB	2							
20	3	119620-79280	SPRING	2							
21	2	119620-79290	SCREW	6							
22	2	119620-79300	SCREW	1							
23	2	119620-79310	BOLT	3							
24	2	119620-79320	SCREW, W/WASHER	2							
25	2	119620-79330	BOLT	2							
26	2	119620-79340	BUSH, INSULATION	1							
27	2	119620-79350	NUT	2							
28	2	119620-79360	WASHER, THRUST	1							
29	1	119740-77250	BOLT, M10X75	1							
29-1	1	119740-77251	BOLT, M10X80	1							N
(A=E19825)											
30	1	26306-100002	NUT, M10	1							
31	1	119940-77270	SPACER, GENERATOR	1							
32	1	119802-77330	ADJUSTER, BELT	1							
33	1	119802-77340	BOLT, ADJUSTER L=40	1							
34	1	26106-080452	BOLT, M8X 45 PLATED	1							
35	1	119802-77200	RELAY, SAFETY	1							
36	1	119650-77910	RELAY ASSY, GLOW	1							
36-1	1	119650-77911	RELAY ASSY, GLOW	1							N
(A=E22729)											
39	1	129211-77920	TIMER, SECTION 1	1							

(A)=4TNV88-BP6DA

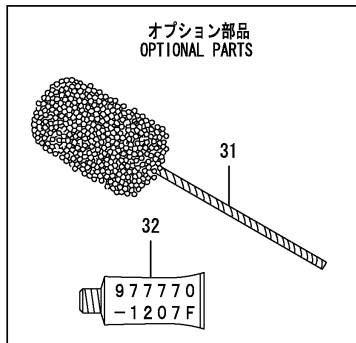
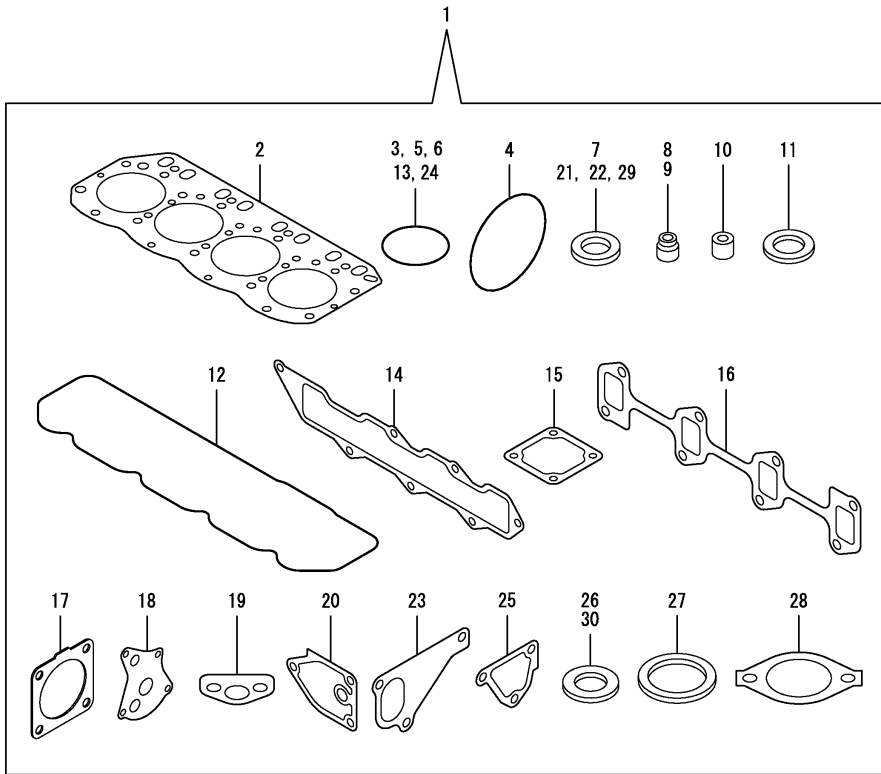
(B)=

(C)=

(D)=

(E)=

(F)=



No.	Lev.	Parts No.	Description	Q'ty						I	R
				(A)	(B)	(C)	(D)	(E)	(F)		
1	1	729602-92700	GASKET SET	1							1
2	2	129407-01340	GASKET, HEAD	1							
3	2	119609-32040	O-RING, P16	2							
4	2	121850-51960	O-RING	1							
5	2	24311-000320	O-RING, 1AP32.0	3							
6	2	24341-000240	O-RING, 1AS24.0	1							
7	2	22190-220002	WASHER, SEAL 22	1							
8	2	121400-11340	SEAL, VALVE STEM	4							
9	2	124460-11340	SEAL, VALVE STEM	4							
10	2	119802-11870	PROTECTOR, NOZZLE	4							
11	2	119625-11880	SEAT, NOZZLE	4							
12	2	129601-11310	GASKET, BONNET	1							
13	2	24311-000120	O-RING, 1AP12.0	3							
14	2	129407-12110	GASKET, MANIFOLD	1							
15	2	129150-77511	GASKET	1							
16	2	129550-13110	GASKET	1							
17	2	129930-13201	GASKET, SILENCER	1							
18	2	129150-32020	GASKET, PUMP	1							
19	2	129150-35042	GASKET	1							
20	2	129150-35111	GASKET	1							
21	2	22190-080002	WASHER, SEAL 8	2							
22	2	22190-100002	WASHER, SEAL 10	2							
23	2	129486-42021	GASKET, WATER PUMP	1							
24	2	129486-42140	O-RING, G30	1							
25	2	124395-49840	GASKET	1							
26	2	23414-080000	GASKET, 8X1.0	1							
27	2	129150-49811	GASKET, THERMOSTAT	1							
28	2	129795-49551	GASKET	1							
29	2	22190-160000	WASHER, SEAL 16	2							
30	2	129150-49360	GASKET	1							
31	1	129400-92430	HONE	1							1
32	1	977770-1207F	GASKET.LIQUID	1							1

Remarks

(1)Optional parts.



Parts No. Index

Parts No.	Fig. No.	Ref. No.
105025-59530	14	14
105025-59750	14	32
105325-59570	14	15
114250-53080	13	5
114250-53120	13	10
114250-53130	13	11
114250-53140	13	12
114250-53210	13	13
119131-18320	6	5
119233-77932	12	130
119256-44760	10	26
119593-59581	13	73
119609-32040	2	9
	17	3
119620-01750	3	3
119620-77380	16	3
119620-77421	16	6
119620-77440	16	11
119620-77461	16	13
119620-77471	16	14
119620-77480	16	19
119620-77490	16	15
119620-79200	16	7
119620-79210	16	8
119620-79220	16	9
119620-79230	16	10
119620-79250	16	5
119620-79260	16	17
119620-79280	16	20
119620-79290	16	21
119620-79300	16	22
119620-79310	16	23
119620-79320	16	24
119620-79330	16	25
119620-79340	16	26
119620-79350	16	27
119620-79360	16	28
119625-11880	4	32
	17	11
119640-01640	3	8
119650-77910	16	36
119650-77911	16	36 -1
119660-61901	12	60
119740-77250	16	29
119740-77251	16	29 -1
119802-01561	2	5
119802-03110	4	43
119802-03121	4	44
119802-03130	4	45
119802-03141	4	46

Parts No.	Fig. No.	Ref. No.
119802-11260	4	6
119802-11270	4	7
119802-11870	4	31
	17	10
119802-13790	6	13
119802-21650	8	8
119802-25071	7	13
119802-25101	7	10
119802-25901	7	16
119802-35100	9	24 -1
119802-35110	9	25
119802-39450	9	46
119802-49113	10	10
119802-49730	10	37
119802-51090	11	7
119802-51560	11	52
119802-51590	11	58
119802-51600	11	59
119802-51680	11	63
119802-51690	11	64
119802-55710	14	18
119802-55730	14	19
119802-55801	14	10
		26
119802-59550	13	67
119802-59560	13	69
119802-77200	16	35
119802-77330	16	32
119802-77340	16	33
119803-01520	2	4
119803-21200	8	4
119803-25050	7	9
119803-53400	13	14
119803-77520	5	8
119807-61420	12	23
119808-12540	5	14
119865-21600	8	14
119934-01800	2	3
119940-77270	16	31
119946-59200	14	32 -1
119946-59500	14	32 C
120130-11860	4	29
120270-54410	4	34
121023-01551	2	19
121027-11743	2	22
121111-21501	8	11
121252-39450	9	44
121400-11340	4	25
	17	8
121520-34810	9	17

Parts No.	Fig. No.	Ref. No.
121550-23200	8	27
121850-21680	8	10
121850-42410	10	8
121850-51960	2	10
	17	4
123501-79240	16	4
123900-13610	6	3
123900-13630	6	4
124060-01050	1	4
124060-77680	13	69 C
		71 -1
		74
124160-01751	2	6
	4	39
124160-01910	1	6
		7
124160-11360	4	51
124160-39140	9	45
124240-01871	2	7
124395-49840	10	17
	17	25
124460-11340	4	26
	17	9
124722-59050	10	38
		41
	13	68
		71
124766-59050	14	29 A
		32 A
126650-12680	5	15
129001-01250	1	5
129001-02931	1	29
129001-91841	2	11
129004-03010	4	41
129004-11650	4	9
129004-11900	4	33
129004-42001	10	1
129004-42040	10	15
129004-49610	10	35
129004-49620	10	39
129004-49711	10	36
129004-49721	10	40
129005-11100	4	21
129005-22080	8	15
129005-22500	8	17
129005-22900	8	33
129005-22950	8	35
129005-59830	9	47
129006-35100	9	24
129008-51390	11	34 A

Parts No.	Fig. No.	Ref. No.
129008-51900	11	5
129008-51920	11	6
129008-77800	4	55
129012-77920	15	33
129044-59100	14	29 -1
129044-59510	14	31
		31 -1
129052-79270	16	18
129062-12560	5	12
129100-01580	3	1
		13
	8	2
129100-01640	3	14
129100-11112	4	22
129100-23910	8	30
129100-35140	9	26 -1
129100-42051	10	3
129100-42121	10	4
129100-55690	14	17
129103-49301	9	40
129122-44480	9	30
129136-66852	9	53
129136-77011	15	1
129136-77310	15	2
129136-77520	15	14
129150-01200	1	27
129150-02020	1	9
129150-02450	7	4
129150-02871	1	32
129150-02931	1	24
129150-02941	1	35
129150-03070	4	42
129150-11230	4	10
129150-11280	4	8
129150-11370	4	14
129150-11750	4	12
129150-11810	4	30
129150-14101	7	6
129150-14200	7	1
129150-14400	7	2
129150-23601	8	28
129150-23611	8	31
129150-25301	7	15
129150-32020	9	14
	17	18
129150-35042	9	18
	17	19
129150-35111	9	27
	17	20
129150-35153	9	28



Parts No. Index

Parts No.	Fig. No.	Ref. No.
129150-49360	10	42
	17	30
129150-49811	10	29
	17	27
129150-59120	13	41
129150-59131	13	44
		48
129150-77511	5	7
	17	15
129155-49801	10	28
129155-51280	12	6
129155-61460	12	25
129202-22300	8	21
129211-77920	16	39
129236-59000	14	27 -1
129236-59500	14	28 -1
129237-59120	13	69 A
129238-55610	14	25 -1
129238-77800	4	54
129240-35800	9	29
129240-79300	16	12
129242-55720	14	19 -1
129242-55730	14	18 -1
129242-55750	14	21 B
129242-55760	14	21 C
129242-55770	14	21 F
129255-61410	12	22
129268-59551	13	67 -1
129350-49530	10	30
129400-01730	3	6
129400-77490	15	12
129400-77571	15	18
129400-92430	17	31
129407-01340	1	28
	17	2
129407-12110	5	4
	17	14
129407-32000	9	1
129407-32001	9	1 -1
129410-03990	5	2
129417-33110	9	23
129417-35150	9	26
129423-77200	16	1
129423-77710	16	16
129436-44740	10	25
129486-01670	3	17
129486-42021	10	14
	17	23
129486-42140	10	16
	17	24

Parts No.	Fig. No.	Ref. No.
129486-59551	13	70
129486-59581	13	70 -1
129489-21590	8	12
129508-33010	9	21
129508-33050	9	22
129508-49030	9	31
129550-13110	6	2
	17	16
129550-42350	10	23
129550-59120	13	45
129601-03080	5	1
129601-11241	4	3
129601-11251	4	4
129601-11310	4	48
	17	12
129601-11350	4	40
129601-12100	5	3
129601-51250	11	129
129601-59810	13	50
129601-59820	13	54
129601-59830	13	58
129601-59840	13	62
129604-11700	4	15
129604-21000	8	1
129604-53000	13	2
129604-53300	13	2 -1
129604-77821	4	56
129612-01600	3	2
129612-42380	10	24
129612-52100	14	2
129612-59050	14	6
		12
		13
		30
129612-77260	6	9
129630-01781	3	7
129630-12500	5	11
129630-34800	9	16
129630-34801	9	16 -1
129630-35300	9	19
129630-50100	14	1
129630-55700	14	22
129630-55750	14	16 -1
129630-59020	14	27
129630-59030	14	28
129630-77800	4	54 -1
129632-77010	15	1 -1
129632-77310	15	2 -1
129640-13109	6	1
129642-13401	6	11

Parts No.	Fig. No.	Ref. No.
129642-13490	6	12
129642-13510	6	8
129642-13590	6	15
129642-49040	9	35
129642-49180	9	38
129642-55611	14	9
		25
129642-55700	14	16
129642-59010	14	3
129642-59110	14	4
		29
129642-59210	14	5
129642-61060	12	87
129642-61440	12	24
129642-77810	9	54
129648-01600	3	14 -1
129648-01780	3	16 -1
129795-01780	3	16
129795-01950	2	8
129795-02412	1	12
129795-11120	4	23
129795-11180	4	24
129795-21661	8	9
129795-49551	10	31
	17	28
129900-07900	4	1
129900-12530	5	13
129900-77400	15	3
129900-77440	15	6
129900-77450	15	7
		11
129900-77460	15	9
129900-77480	15	10
129900-77640	15	19
129916-49740	10	11
129916-59020	11	125
129930-13201	6	7
	17	17
129957-59120	14	32 B
129E32-55740	14	21 D
158552-51151	7	17
158552-51570	11	53
		54
158552-51571	11	53 -1
		54 -1
158552-51580	11	57
158552-51600	11	67
158552-51670	11	121
158552-51781	11	93
158552-52100	11	123

Parts No.	Fig. No.	Ref. No.
158552-52310	11	100
158552-52311	11	100 -1
158552-52400	11	101
158552-52500	11	124
158552-61900	12	78
158553-51551	11	119
158553-51630	11	68
158553-51640	11	70
158553-51650	11	70 -1
158553-51660	11	71
158553-51670	11	62
158553-51680	11	72
158553-51770	11	99
158553-51930	11	97 -1
	12	66 -1
158553-61050	12	3
158553-61070	12	4
158553-51570	11	55
158563-51281	11	33
		34
158563-51330	11	43
158600-51270	11	32
158601-51550	11	51
158601-51570	11	56
158601-51650	11	120
158601-51770	11	92
158601-51790	11	94
160769-01690	10	33
171008-03990	9	32
		36
171008-77450	15	8
171008-77510	15	13
171008-77540	15	15
171008-77650	15	20
171008-77660	15	24
171008-77670	15	25
171008-77750	15	31
171051-01921	1	8
171056-49120	10	43
22117-100000	6	17
22190-080002	2	12
	9	48
		50
	17	21
22190-100002	9	51
	17	22
22190-120000	12	64
22190-120002	11	95
		102
		126



Parts No. Index

Parts No.	Fig. No.	Ref. No.
22190-120002	12	64 -1
22190-160000	10	34
	17	29
22190-180002	11	96
		103
22190-220002	3	9
	17	7
22217-100000	6	18
22217-140000	11	104
22252-000260	8	22
22312-050140	11	105
22351-030010	8	7
22351-050010	11	106
22351-060012	4	35
22512-070140	7	7
	8	5
22857-500100	4	49
		50
23000-060000	5	17
		17 -1
23000-090000	5	18
23065-120230	9	41 -1
23065-120250	9	41
23080-014000	9	42
23080-015000	9	34
		39
23414-080000	10	18
	17	26
23857-030000	9	49
23857-060000	11	127
23875-020000	10	13 -1
23876-010000	10	12
23876-020000	10	13
23887-120002	11	97
	12	66
24311-000070	11	108
24311-000120	4	52
	17	13
24311-000160	14	20
24311-000320	2	13
		23
	4	53
	17	5
24316-000160	14	20 -1
24321-000650	14	21
24326-000750	14	21 -1
24341-000240	2	20
	17	6
24356-010180	11	109
24356-010200	11	65

Parts No.	Fig. No.	Ref. No.
24356-010200	11	110
24356-190180	11	109 -1
24356-190200	11	65 -1
		110 -1
24372-000150	11	66
26106-060102	11	111
	12	68
26106-060122	14	7
26106-060142	12	84
		85
26106-060162	2	21
26106-060202	12	86
26106-060322	15	29
26106-060402	15	30
26106-060602	10	27
26106-080122	9	55
	10	19
26106-080142	6	14
	7	8
26106-080162	2	14
		17
	3	10
	4	2
	9	56
	10	20
	11	130
26106-080202	5	5
		9
	9	43 -1
	11	131
	14	8
		23
26106-080222	9	43
	10	32
26106-080252	3	11
	4	36
26106-080302	2	15
	14	11
26106-080352	3	18
	4	37
	9	20
	14	33
26106-080402	7	14
26106-080452	3	12
	10	21
	14	24
	16	34
26106-080502	3	19
	4	38
26106-080552	2	16

Parts No.	Fig. No.	Ref. No.
26106-080602	10	22
26106-080802	5	6
		10
26106-080852	2	11 -1
26106-100202	6	10
26106-100652	6	19
26106-120252	15	32 -1
26116-120252	15	32
26206-100252	3	4
26206-100302	3	5
26226-080182	4	13
26306-080002	2	18
	6	6
26306-100002	16	30
26366-060002	9	52
26450-060252	9	15
26450-080452	11	115
26577-060142	10	8 -1
26706-100002	6	20
26756-060002	12	69
26776-140002	11	116
27241-120000	1	13
27241-300000	1	14
27241-400000	4	20
27310-080001	4	27
729402-14580	7	3
729402-23100	8	23
729602-01560	1	1
729602-92700	17	1
729604-53100	13	1
729604-53300	13	1 -1
729630-01500	2	1
729630-51360	11	1
729630-51361	11	1 -1
729630-51470	11	1 -2
977770-1207F	17	32
X2114255110	15	5
X2114555500	15	21
X2114955020	15	22
X2130350900	15	4
X2240410100	15	23
X9490561001	16	2

Parts No.	Fig. No.	Ref. No.
-----------	----------	----------