



PARTS CATALOG



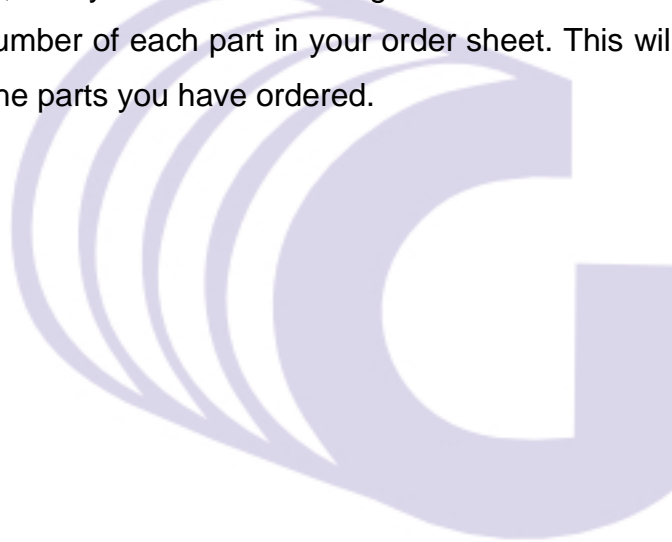
Published

2009/8 (Aug.)

0CV10-G94000

PREFACE

- 1.This Parts Catalog carries all parts incorporated in YANMAR Model 4TNV84-KLAN engine manufactured since April, 2004.
- 2.Each illustration corresponds to the parts list on the following page.
- 3.When ordering parts,clearly write down the engine model and serial number,as well as the name and number of each part in your order sheet. This will help insure reliable delivery of the parts you have ordered.



How to read this Parts Catalog.

1. Parts mentioned in Parts Catalog may not necessarily be standard equipping parts
2. Parts change may be made without prior notice.
3. Form of this Parts Catalog.

REF.	LEV.	PARTS No.	DESCRIPTION	QTY.						I	R
				(A)	(B)	(C)	(D)	(E)	(F)		
1		729595-51390	FUEL INJECTION PUMP	1	1	1	1	1			
1-1		729595-51391	FUEL INJECTION PUMP	1	1	1	1	1			
		(A=E00185) (B=E00200)									
3	2	26022-060162	SCREW M 6X16	9	9	9	9	9			
1 3-1	2	26022-060162	SCREW M 6X16	4	4	4	4	4			K
		(A=E00156) (B=E00156) (C=E00156) (D=E00156) (E=E00156)									
4	2	129470-51040	CAMSHFT	9	9	9	9	9			
5	2	122710-51050	BEARING. ROLLER	9	9	9	9	9			
6	2	129470-51060	RETAINER	9	9	9	9	9			

Remarks	(1) BOOST COMPEMSATOR TYPE. OPTIONAL PART. TO E#00155 (4JH-DT, 4JH-DTZ)
---------	---

①Ref. No,

The Ref. No, in the list may not be in accordance with the Ref. No, on illustration.

(Ex.) illustration No, List heed No,
 1 1 (Before change) → 1-1 (After change)

When interchangeable symbol N, and k, illustrations for the new parts are sometimes omitted.

②Lev. (Level)

Indication and Meaning of Level

Level Hereunder is given the relation among the number of number (1,2,3) the level and the nominal parent-child relationship.

- 1 ---- Parent parts (Assembly parts)
- 2 ---- Child parts included in " 1 " (Semi-Assembly parts, component parts of Assembly parts.)
- 3 ---- Child parts included in " 2 ", Grand-child parts in terms of " 1 " .
(Component parts of Semi-Assembly parts.)

Note) A parts of non-sale parts are illustrated but not listed.

③Change Mark

Change Mark " I " is given to the part for which a design change was made at this time.

The design change was not shown in the last published Parts Catalog.

④Interchangeability Mark

In the case where a part change took place, one of the following interchangeability marks is indicated for that part

Symbol	Interchangeability	Contents note
N	Old ← New	New Part is interchangeable for Old Part but not interchangeable conversely.
Q	Old ← New	New Part is not interchangeable for Old Part but interchangeable conversely.
R	Old ← New	New Part is interchangeable for Old Part and vice versa.
S	Old ← New	New Part is not interchangeable for Old Part and vice versa.
W		Part newly added.
Z		Part discontinued.
F		Not interchangeable single part but interchangeable by set of the related parts.
K		Changed only in quantity used.

⑤Effective Machine No,

When a part is changed, Effective Machine No, of a Model for which the part is applicable is indication

In each column of (A)-(F).

Product Symbol	Product No,	Product Symbol	Product No,
C	Clutch No, Compressor No,	M	Machine No,
D	Drive No,	T	Tractor No,
E	Engine No,	Note 1)※	Date

Note 1) Date may follow the symbol in some cases.(Ex.) ※1996.01

Note 2) As far as engine models shown by " XXX " are concerned, the modification of the parts could not be Predicted or the engine models themselves could not be identified.

Note 3) (A=E/#00185) means that the design change on the part has been effective for the model at the, column (A) (in the case, for 4JH-DT) on and from E/#(Engine Serial Number) 00185

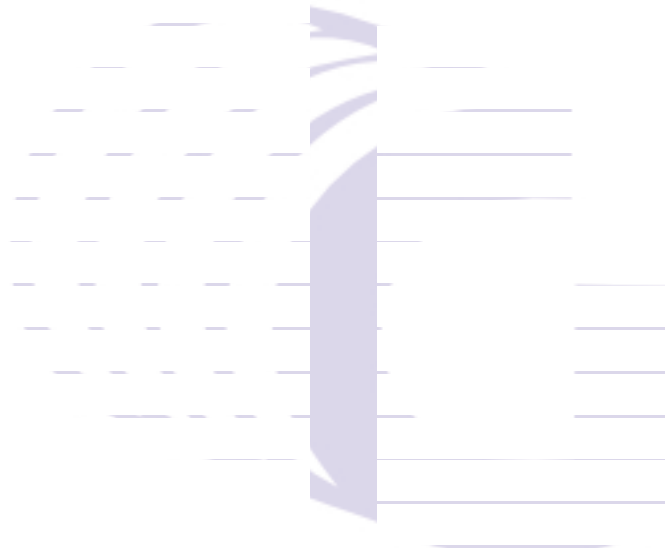
⑥Remarks Mark

Figures or alphabets (Symbols) are entered in the remark column.

The comments (remarks) on the pertinent parts are indicated in the lower part of the list by the same symbols a those stated above.

Fig.No.	GROUP NAME
	ENGINE (4TNV84-KLAN)
1.	CYLINDER BLOCK
2.	GEAR HOUSING
3.	MOUNTING FLANGE & OIL SUMP
4.	CYLINDER HEAD & BONNET
5.	SUCTION MANIFOLD
6.	EXHAUST MANIFOLD
7.	CAMSHAFT & DRIVING GEAR
8.	CRANKSHAFT & PISTON
9.	BALANCER
10.	LUB.OIL SYSTEM
11.	COOLING WATER SYSTEM
12.	FUEL INJECTION PUMP
13.	FUEL INJECTION VALVE
14.	FUEL LINE
15.	STARTING MOTOR
16.	GENERATOR
17.	GASKET SET

Fig.No.	GROUP NAME
---------	------------



(A)=4TNV84-KLAN

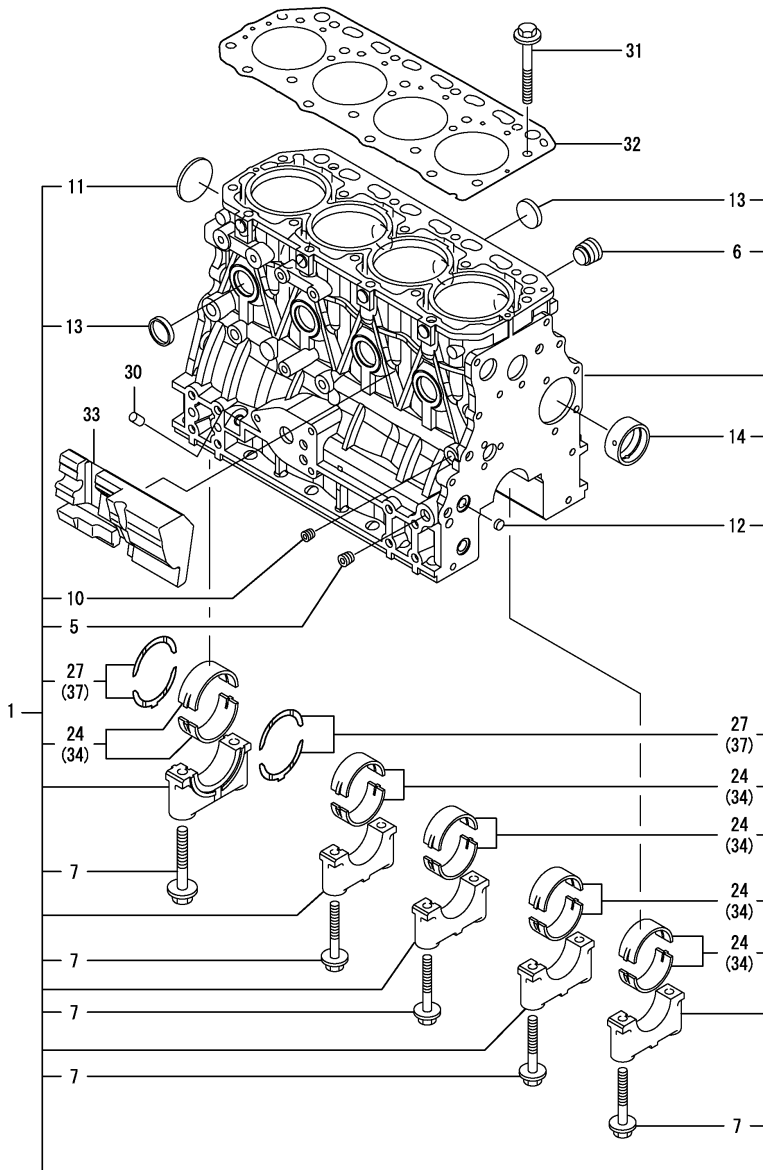
(B)=

(C)=

(D)=

(E)=

(F)=



REF.	LEV.	PARTS NO.	DESCRIPTION	QTY						I	R
				(A)	(B)	(C)	(D)	(E)	(F)		
1	1	729657-01570	BLOCK ASSY, CYLINDER	1							
5	2	124160-01910	PLUG PT1/4	2							
6	2	171051-01921	PLUG	1							
7	2	129150-02020	BOLT, METAL CAP	10							
10	2	124060-01050	PLUG PT1/8	1							
11	2	129001-01250	PLUG 50	1							
12	2	27241-120000	PLUG 12	2							
13	2	27241-300000	PLUG 30	8							
14	2	129795-02411	BUSH, CAMSHAFT	1							
24	2	129001-02930	MAIN BEARING SET	5							3
27	2	129150-02930	METAL, THRUST	2							
30	1	119309-01810	PLUG	1							
31	1	129150-01200	STUD, CYL. HEAD	18							
32	1	129408-01330	GASKET, CYL.HEAD	1							
33	1	129004-01190	SPACER	1							
34	1	129150-02870	MAIN METAL US=0.25	5							1
37	1	129150-02940	METAL,THRUST.25(2PIE	1							2

Remarks

- (1) UNDER-SIZE(U.S=0.25)PART.
- (2) OVER-SIZE(O.S=0.25)PART.
- (3) REPAIR PART.

(A)=4TNV84-KLAN

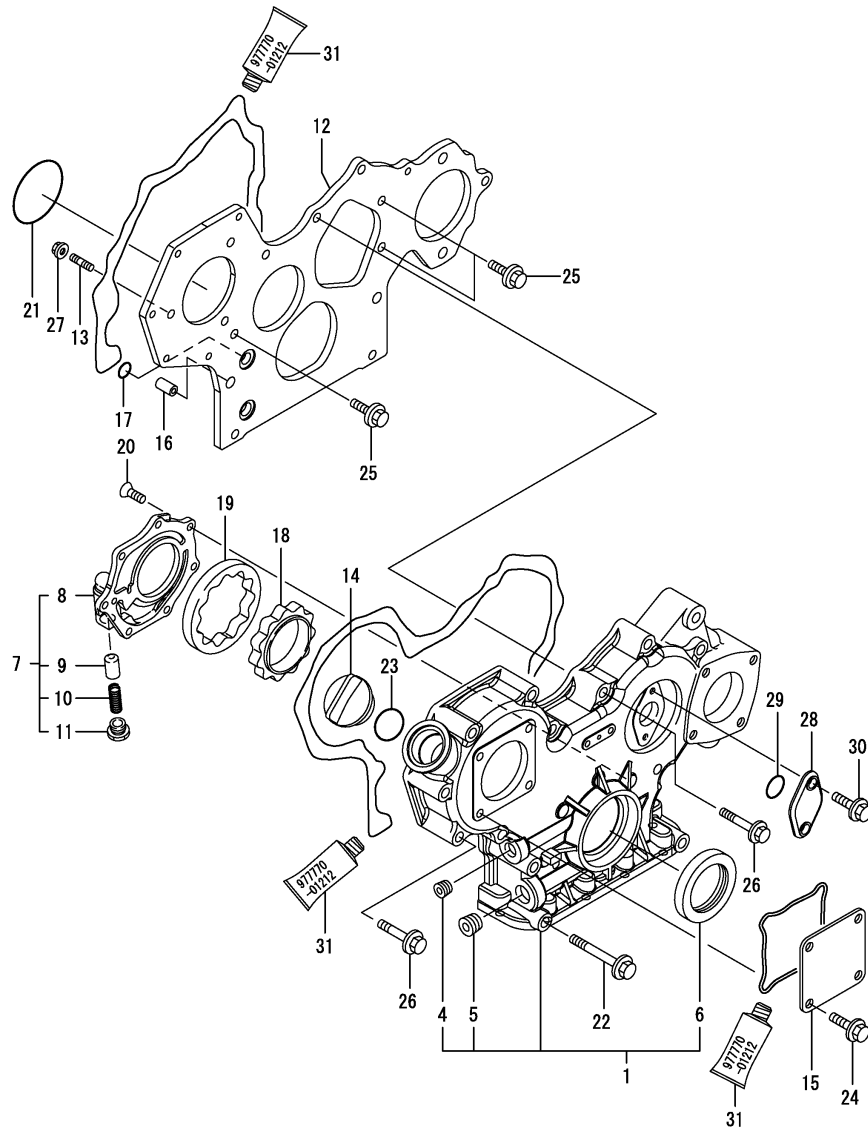
(B)=

(C)=

(D)=

(E)=

(F)=



REF.	LEV.	PARTS NO.	DESCRIPTION	QTY						I	R
				(A)	(B)	(C)	(D)	(E)	(F)		
1	1	729005-01500	GEAR CASE ASSY	1							
4	2	23876-030000	PLUG PT3/8,SCREW	1							
5	2	23876-040000	PLUG PT 1/2	1							
6	2	129795-01800	SEAL, OIL	1							
7	1	119802-32100	COVER ASSY, PUMP	1							
8	2	119802-32070	COVER, LUB.OIL PUMP	1							
9	2	129900-32130	VALVE, RELIEF	1							
10	2	129418-32320	SPRING	1							
11	2	129001-32330	PLUG	1							
12	1	129005-01520	FLANGE, GEAR CASE	1							
13	1	119802-01560	STUD, M8X25	3							
14	1	124160-01751	COVER,FILLER	1							
15	1	124240-01871	COVER, HO-P	1							
16	1	129795-01950	PIPE, KNOCK L=18	2							
17	1	119609-32040	O-RING P16	4							
18	1	119802-32111	ROTOR, INNER	1							
19	1	119802-32120	ROTOR, OUTER	1							
20	1	119802-32130	SCREW, M6X16	7							
21	1	121850-51960	O-RING, F.I.PUMP	1							
22	1	129001-91841	BOLT, M8X85	3							
23	1	24311-000320	O-RING 1A P-32.0	1							
24	1	26106-080162	BOLT M 8X 16 PLATED	4							
25	1	26106-080162	BOLT M 8X 16 PLATED	3							
26	1	26106-080552	BOLT M 8X 55 PLATED	11							
27	1	26306-080002	NUT	3							
28	1	121023-01550	COVER, BLIND	1							
29	1	24341-000240	O-RING 1A S-24.0	1							
30	1	26106-060162	BOLT M 6X 16 PLATED	2							
31	1	977770-01212	GASKET, LIQUID	1							1

Remarks
(1) OPTIONAL PART.

(A)=4TNV84-KLAN

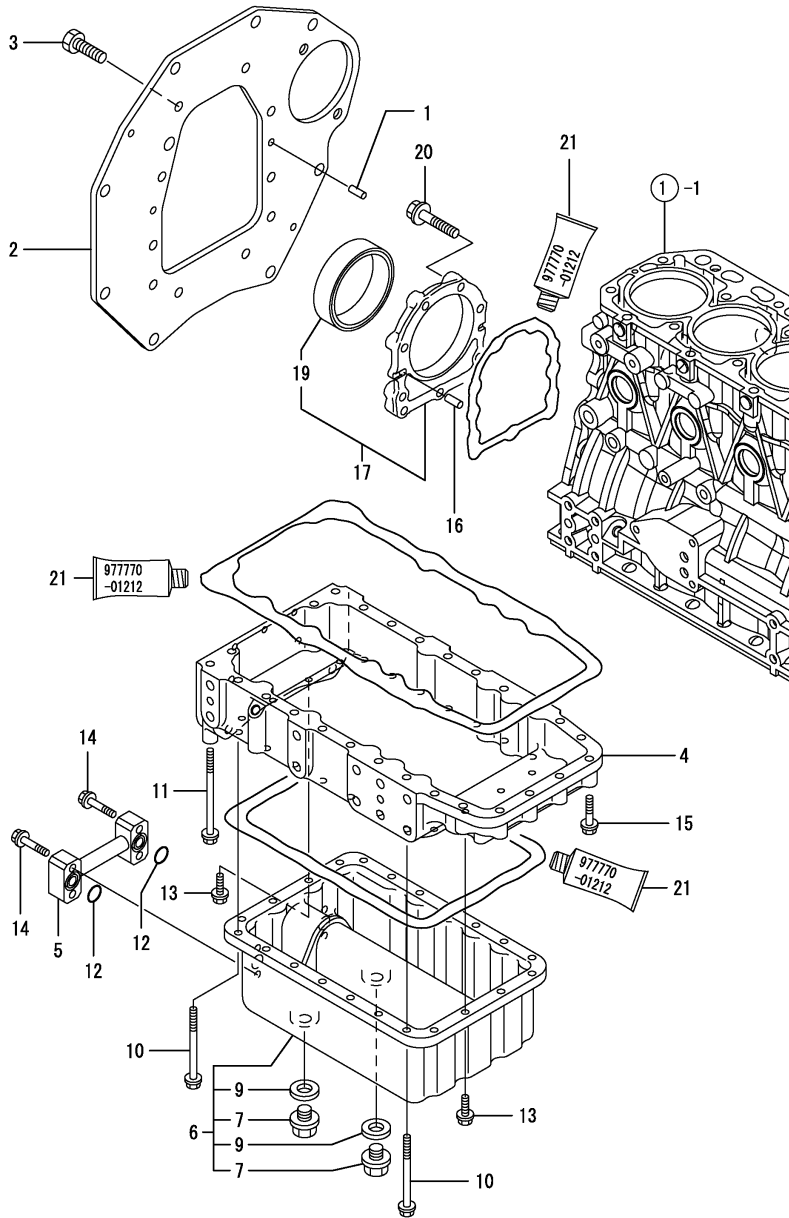
(B)=

(C)=

(D)=

(E)=

(F)=



REF.	LEV.	PARTS NO.	DESCRIPTION	QTY						I	R
				(A)	(B)	(C)	(D)	(E)	(F)		
1	1	129100-01580	PARALLEL PIN 8X16	2							
2	1	129051-01600	FLANGE, MOUNTING	1							
3	1	26206-100202	BOLT M10X20	8							
4	1	129457-01700	SPACER	1							
5	1	129051-01721	JOINT	1							
6	1	129457-01780	SUMP ASSY, OIL	1							
7	2	105425-01690	PLUG M16	2							
9	2	22190-160002	SEAL WASHER 16S	2							
10	1	129001-91870	BOLT M 8X100	14							
11	1	129001-91910	BOLT M 8X120	4							
12	1	24311-000180	O-RING 1A P-18.0	2							
13	1	26106-080252	BOLT M 8X 25 PLATED	8							
14	1	26106-080402	BOLT M 8X 40 PLATED	4							
15	1	26106-080502	BOLT M 8X 50 PLATED	8							
16	1	129100-01580	PARALLEL PIN 8X16	2							
17	1	129100-01640	CASE ASSY, OIL SEAL	1							
19	2	129795-01780	SEAL OIL	1							
20	1	129486-01670	BOLT M8X30,COLLAR HD	9							
21	1	977770-01212	GASKET, LIQUID	1							1

Remarks
(1) OPTIONAL PART.

N:Old $\begin{matrix} \leftarrow \text{Yes} \\ \text{No} \end{matrix}$ New, Q:Old $\begin{matrix} \leftarrow \text{No} \\ \text{Yes} \end{matrix}$ New, R:Old $\begin{matrix} \leftarrow \text{Yes} \\ \text{Yes} \end{matrix}$ New, S:Old $\begin{matrix} \leftarrow \text{No} \\ \text{No} \end{matrix}$ New, W:Add, Z:Discontinued, F:Interchangeable by set, K:Q'ty Change

(C)Copy Rights YANMAR CO.,LTD.

(A)=4TNV84-KLAN

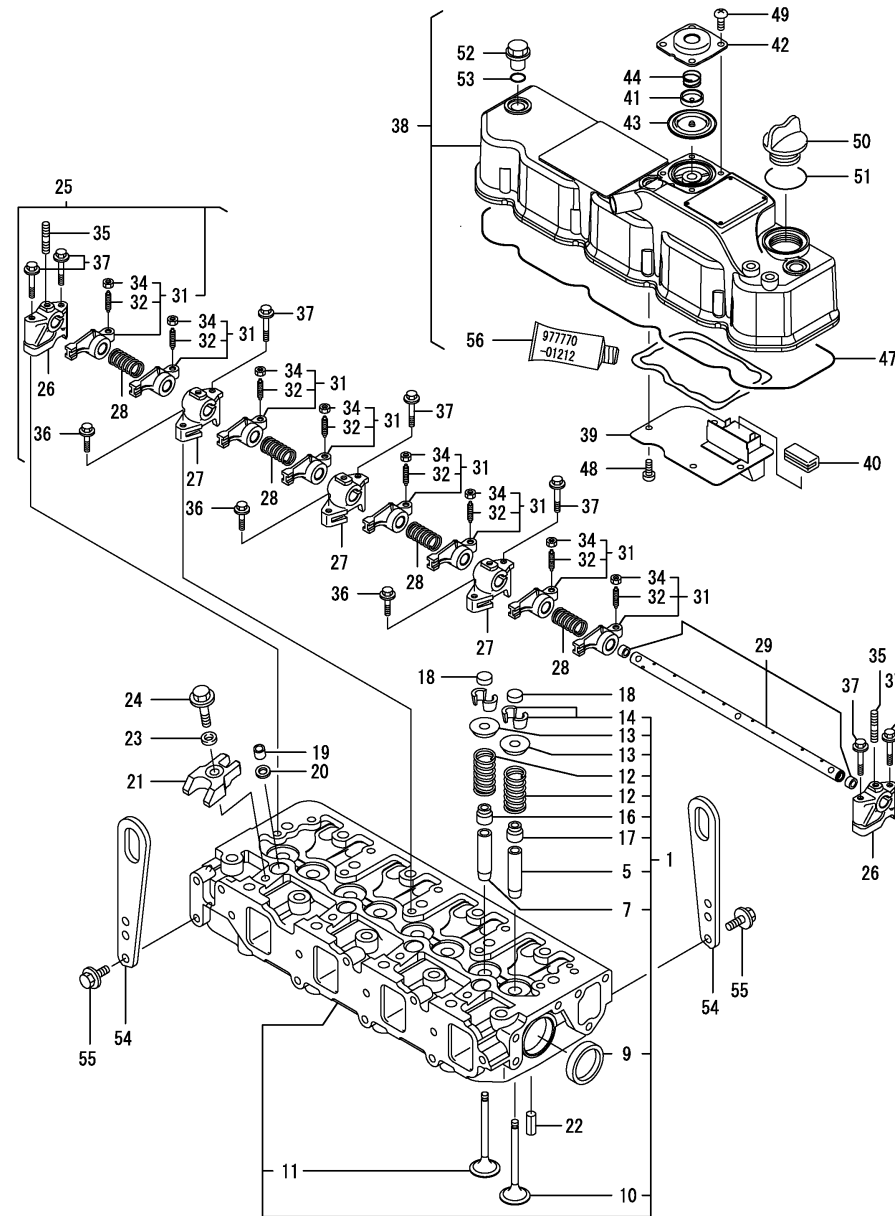
(B)=

(C)=

(D)=

(E)=

(F)=



REF.	LEV.	PARTS NO.	DESCRIPTION	Q'TY						I	R
				(A)	(B)	(C)	(D)	(E)	(F)		
1	1	129601-11700	HED ASSY, CYLINDER	1							
5	2	120130-11860	GUIDE, VALVE	4							1
7	2	129150-11810	GUIDE, VALVE	4							1
9	2	27241-400000	PLUG 40	2							
10	2	129004-11100	VALVE, INTAKE	4							
11	2	129100-11110	VALVE, EXHAUST	4							
12	2	129795-11120	SPRING, VALVE	8							
13	2	129795-11180	RETAINER, SPRING	8							
14	2	27310-080001	COTTER 8	8							
16	2	121400-11340	SEAL, VALVE STEM	4							
17	2	124460-11340	SEAL, VALVE STEM	4							
18	1	129150-11370	CAP, VALVE	8							
19	1	119802-11870	PROTECTOR, NOZZLE	4							
20	1	119625-11880	SEAT, NOZZLE	4							
21	1	129004-11900	RETAINER, NOZZLE	4							
22	1	22351-060012	SPRING PIN 6X12	2							
23	1	120270-54410	WASHER	4							
24	1	26106-080352	BOLT M 8X 35 PLATED	4							
25	1	129601-11241	SHAFT ASSY, ROCKER	1							
26	2	119802-11260	SUPPORT, ROCKER ARM	2							
27	2	119802-11270	SUPPORT, ROCKER ARM	3							
28	2	129150-11280	SPRING	4							
29	2	129601-11251	SHAFT	1							
31	2	129004-11650	ARM ASSY, ROCKER	8							
32	3	129150-11230	SCREW, VALVE	8							
34	3	129150-11750	NUT M8XP1.0	8							
35	2	26226-080182	STUD M 8X 18 PLATED	3							
36	1	26106-080252	BOLT M 8X 25 PLATED	3							
37	1	26106-080502	BOLT M 8X 50 PLATED	7							
38	1	129601-11350	BONNET ASSY	1							
39	2	129004-03010	PLATE, BAFFLE	1							
40	2	129150-03070	BAFFLE, BREATHER	1							
41	2	119802-03110	PLATE, DIAPHRAGM	1							
42	2	119802-03120	COVER, DIAPHRAGM	1							
43	2	119802-03130	DIAPHRAGM	1							
44	2	119802-03140	SPRING, DIAPHRAGM	1							
47	2	129601-11310	GASKET, COVER	1							
48	2	22857-500100	SCREW 5X10, TAPPING	4							
49	2	22857-500100	SCREW 5X10, TAPPING	4							
50	1	124160-01751	COVER, FILLER	1							
51	1	24311-000320	O-RING 1A P-32.0	1							
52	1	124160-11360	KNOB	3							
53	1	24311-000120	O-RING 1A P 12.0	3							
54	1	129900-07900	LIFTER, ENGINE	2							
55	1	26106-080142	BOLT M 8X 14 PLATED	4							
56	1	977770-01212	GASKET, LIQUID	1							2

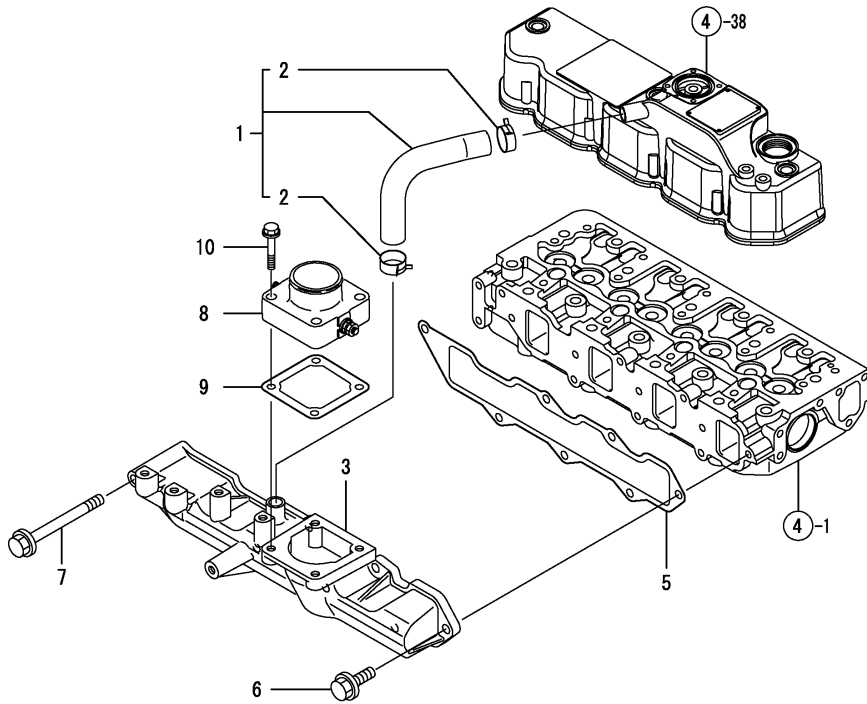
Remarks

- (1) REPAIR PART.
- (2) OPTIONAL PART.

(A)=4TNV84-KLAN
(B)=
(C)=

(D)=
(E)=
(F)=

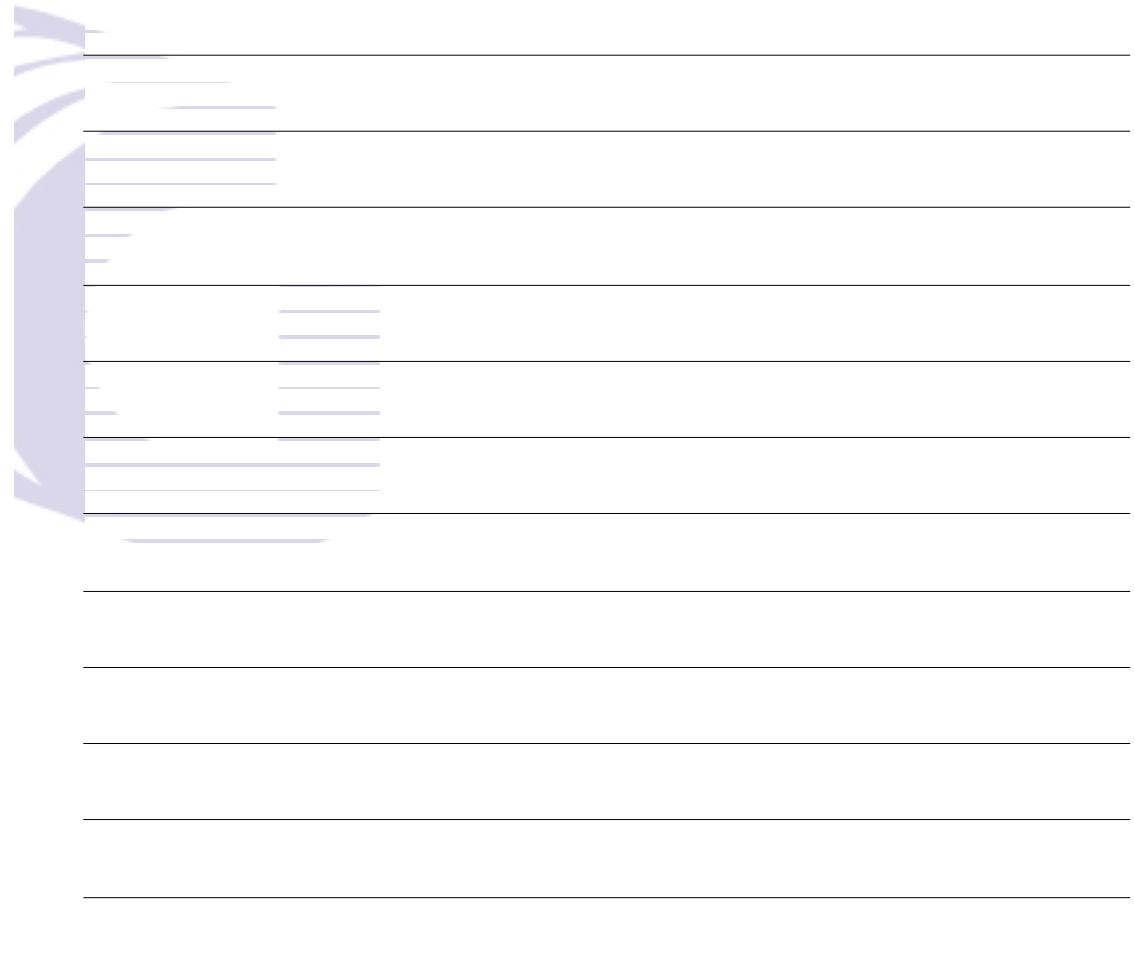
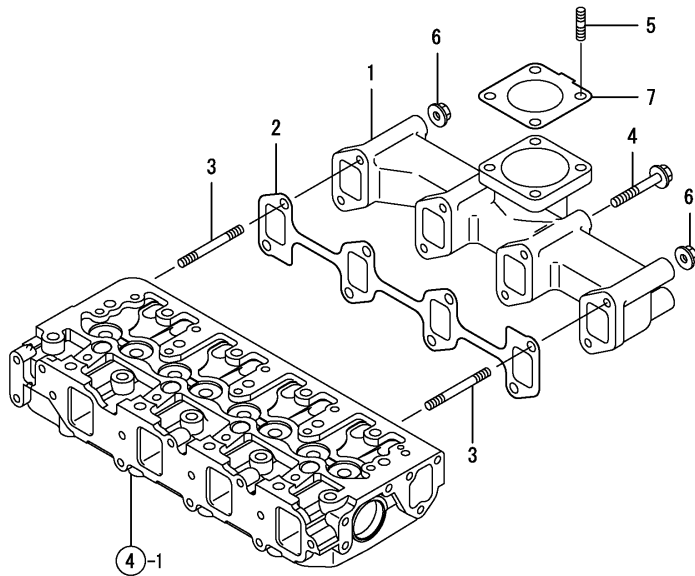
REF.	LEV.	PARTS NO.	DESCRIPTION	Q'TY						I	R
				(A)	(B)	(C)	(D)	(E)	(F)		
1	1	129005-03080	PIPE, BREATHER	1							
2	2	129410-03990	CLAMP 24	2							
3	1	129602-12100	MANIFOLD,INT	1							
5	1	129407-12110	GASKET,INT.MANOFOLD	1							
6	1	26106-080202	BOLT M 8X 20 PLATED	6							
7	1	26106-080802	BOLT M 8X 80 PLATED	1							
8	1	129120-77501	HEATER, AIR	1							
9	1	129150-77511	GASKET, (NON-ASB.)	1							
10	1	26106-080352	BOLT M 8X 35 PLATED	4							



(A)=4TNV84-KLAN
(B)=
(C)=

(D)=
(E)=
(F)=

REF.	LEV.	PARTS NO.	DESCRIPTION	Q'TY						I	R
				(A)	(B)	(C)	(D)	(E)	(F)		
1	1	129411-13100	MANIFOLD, EXHAUST	1							
2	1	129550-13110	GASKET, EXH.MANIFOLD	1							
3	1	123900-13610	STUD BOLT M 8X 80	2							
4	1	123900-13630	BOLT 8X80	6							
5	1	119131-18320	BOLT M 8X 22	4							
6	1	26306-080002	NUT	2							
7	1	129930-13200	GASKET, SILENCER	1							



(A)=4TNV84-KLAN

(B)=

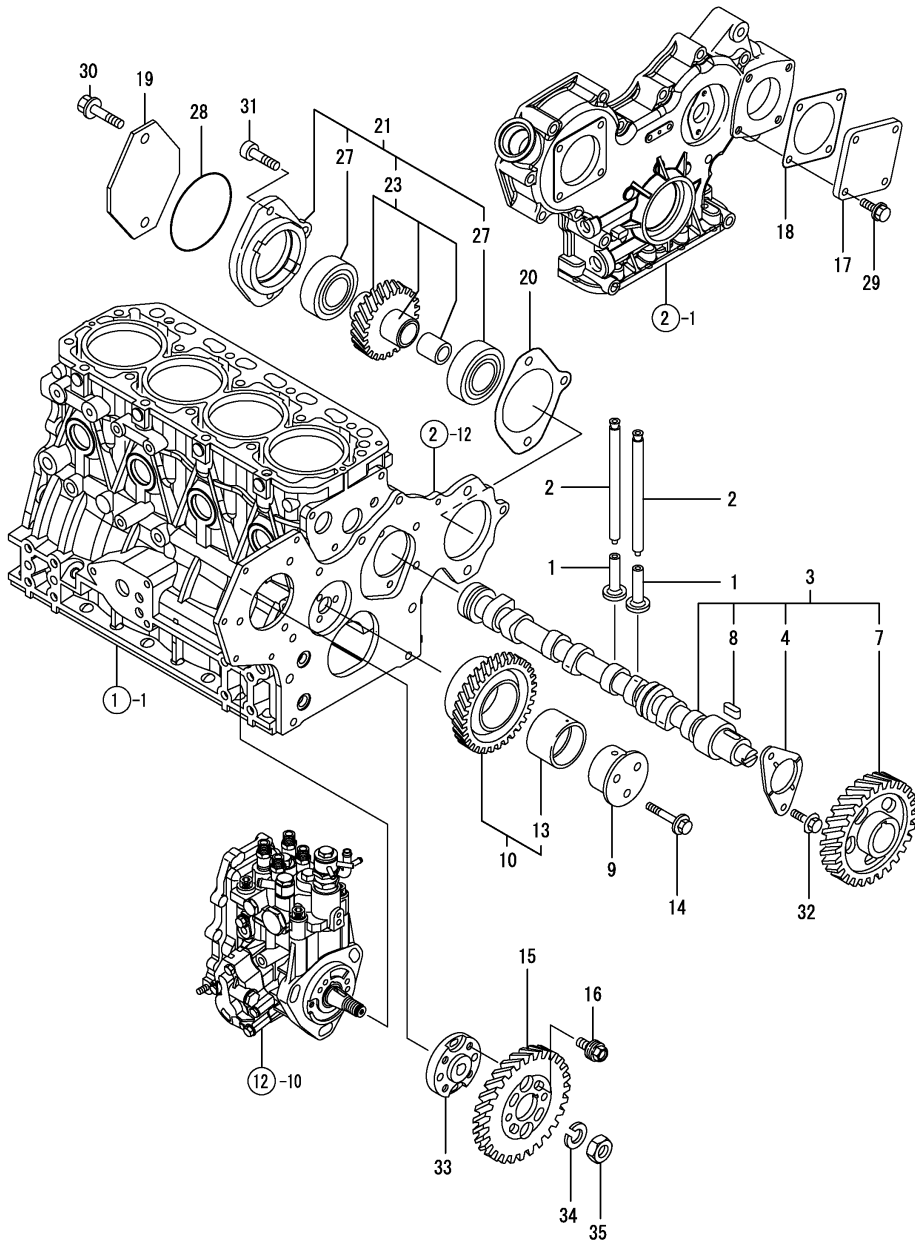
(C)=

(D)=

(E)=

(F)=

REF.	LEV.	PARTS NO.	DESCRIPTION	QTY						I	R
				(A)	(B)	(C)	(D)	(E)	(F)		
1	1	129150-14200	TAPPET	8							
2	1	129150-14400	ROD, PUSH	8							
3	1	729402-14580	CAMSHAFT ASSY	1							
4	2	129150-02450	METAL,THRUST(CAM	1							
7	2	129150-14101	GEAR, CAMSHAFT	1							
8	2	22512-070140	KEY 7X 14	1							
9	1	119802-25051	SHAFT, IDLE GEAR	1							
10	1	119802-25100	GEAR ASSY, IDLE	1							
13	2	119802-25070	BUSH, IDLE GEAR	1							1
14	1	26106-080402	BOLT M 8X 40 PLATED	3							
15	1	119802-25901	GEAR, PUMP	1							
16	1	129150-25301	BOLT,FI-P	4							
17	1	124240-01871	COVER, HO-P	1							
18	1	124240-01883	GASKET, (NON-ASB.)	1							
19	1	121023-26070	COVER, HO-P	1							
20	1	171353-26081	GASKET,HO-P BRACKET	1							
21	1	129051-26200	HYDR.PUMP DRIVE ASSY	1							
23	2	129051-26210	GEAR ASSY, HO-P	1							
27	2	24105-060064	BALL BEARING	2							
28	1	24321-000850	O-RING 1A G-85.0	1							
29	1	26106-080162	BOLT M 8X 16 PLATED	4							
30	1	26106-100452	BOLT M10X 45 PLATED	2							
31	1	26450-080282	BOLT M 8X 28	1							
32	1	26106-080142	BOLT M 8X 14 PLATED	2							
33	1	158552-51151	FLANGE	1							
34	1	22217-140000	SPRING WASHER 14	1							
35	1	26776-140002	LOCK NUT M14 PLATED	1							



Remarks
(1) REPAIR PART.

N:Old $\xrightarrow{\text{Yes}}$ New, Q:Old $\xrightarrow{\text{No}}$ New, R:Old $\xrightarrow{\text{Yes}}$ New, S:Old $\xrightarrow{\text{No}}$ New, W:Add, Z:Discontinued, F:Interchangeable by set, K:Q'ty Change

(C)Copy Rights YANMAR CO.,LTD.

(A)=4TNV84-KLAN

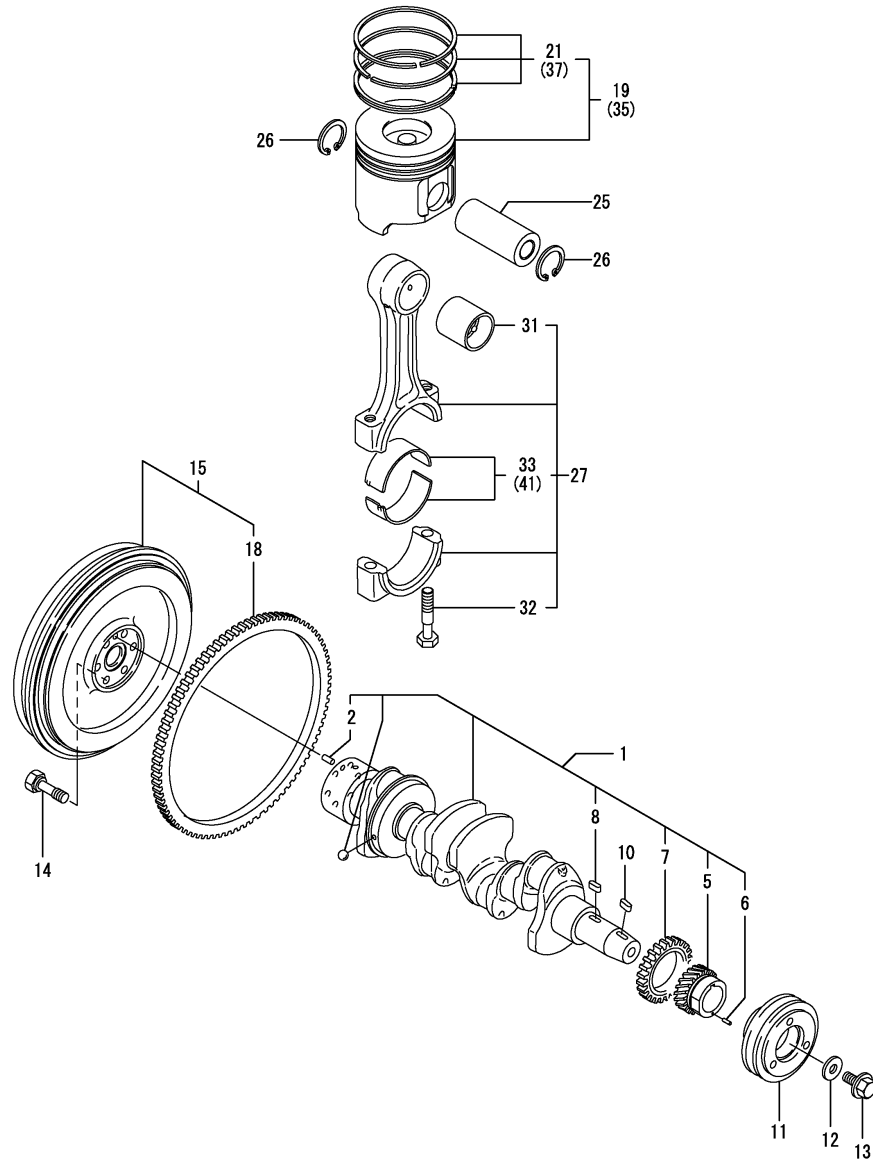
(B)=

(C)=

(D)=

(E)=

(F)=



REF.	LEV.	PARTS NO.	DESCRIPTION	QTY						I	R	
				(A)	(B)	(C)	(D)	(E)	(F)			
1	1	129657-21001	CRANKSHAFT ASSY	1								
2	2	129100-01580	PARALLEL PIN 8X16	1								
5	2	119802-21201	GEAR, CRANKSHAFT	1								
6	2	121850-21290	PARALLEL PIN	1								
7	2	129400-28121	GEAR, BALANCER	1								
8	2	22512-070140	KEY 7X 14	1								
10	1	22512-070140	KEY 7X 14	1								
11	1	129457-21650	V-PULLEY,CRANKSHAFT	1								
12	1	129795-21661	WASHER	1								
13	1	121850-21680	BOLT, V-PULLEY	1								
14	1	121111-21501	BOLT, FLYWHEEL	6								
15	1	129457-21560	FLYWHEEL ASSY	1								
18	2	119865-21600	GEAR, RING	1								
19	1	129004-22080	PISTON W/RING	4								
21	2	129004-22500	RING SET	4								
25	1	129202-22300	PIN, PISTON(D26,L70)	4								
26	1	22252-000260	CIRCLIP 26	8								
27	1	729402-23100	ROD ASSY, CONNECTING	4								
31	2	129100-23910	BUSH, PISTON PIN	4								1
32	2	121550-23200	BOLT, CONNECTING ROD	8								
33	2	129150-23600	BEARING, CRANKPIN	4								
35	1	129004-22900	PISTON W/RING OS=.25	4								2
37	2	129004-22950	RING SET O.S=.25	4								2
41	1	129150-23610	METAL.PIN US=.25	4								3

Remarks

- (1) REPAIR PART.
- (2) OVER-SIZE(O.S=0.25)PART.
- (3) UNDER-SIZE(U.S=0.25)PART.

(A)=4TNV84-KLAN

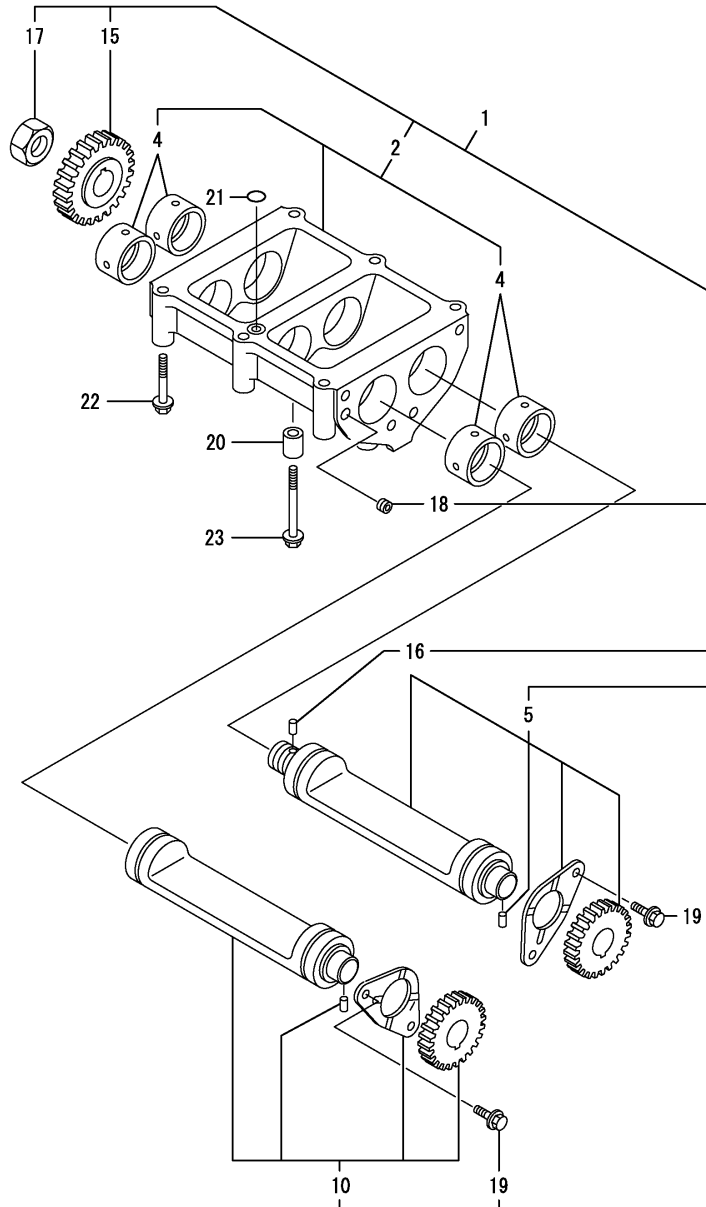
(B)=

(C)=

(D)=

(E)=

(F)=



REF.	LEV.	PARTS NO.	DESCRIPTION	QTY						I	R
				(A)	(B)	(C)	(D)	(E)	(F)		
1	1	129457-28000	BALANCER ASSY	1							
2	2	129457-28011	CASEASSY, BALANCER	1							
4	3	129407-28240	BUSH	4							
5	2	729490-28510	BALANCER SHAFT ASSY.	1							
10	2	729490-28520	BALANCER SHAFT ASSY.	1							
15	2	129400-28150	GEAR, BALANCER A	1							
16	2	121850-21290	PARALLEL PIN	1							
17	2	128170-14150	NUT, CAM	1							
18	2	23876-005000	PLUG PT 1/16,SCREW	1							
19	2	26106-080142	BOLT M 8X 14 PLATED	4							
20	1	129795-01960	PIPE, KNOCK	2							
21	1	24311-000140	O-RING 1A P-14.0	1							
22	1	26106-080602	BOLT M 8X 60 PLATED	4							
23	1	26106-080802	BOLT M 8X 80 PLATED	2							

(A)=4TNV84-KLAN

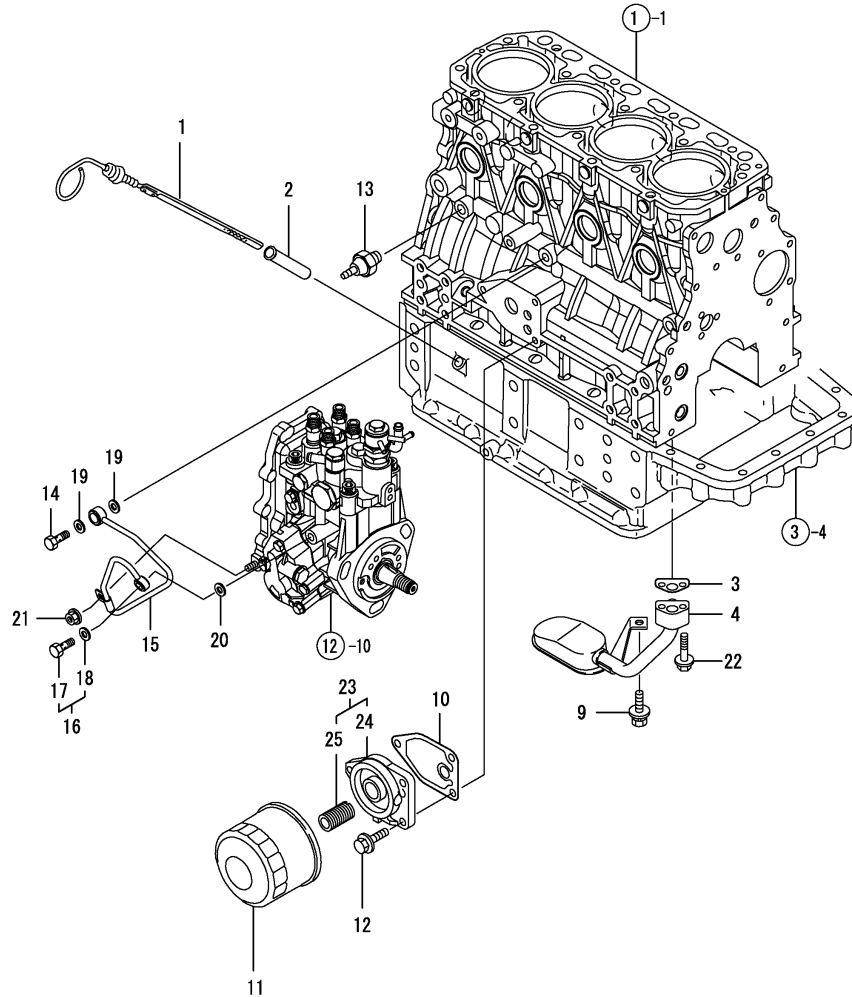
(B)=

(C)=

(D)=

(E)=

(F)=



REF.	LEV.	PARTS NO.	DESCRIPTION	QTY						I	R
				(A)	(B)	(C)	(D)	(E)	(F)		
1	1	129457-34800	DIPSTICK, LUB. OIL	1							
2	1	121520-34810	GUIDE, DIPSTICK	1							
3	1	129150-35041	GASKET, (NON-ASB.)	1							
4	1	129457-35090	PIPE ASSY, LUB.OIL	1							
9	1	26014-080162	BOLT M 8X 16	1							
10	1	129150-35111	GASKET, (NON-ASB.)	1							
11	1	129150-35153	FILTER 80X80L	1							1
12	1	26106-080202	BOLT M 8X 20 PLATED	3							
13	1	114250-39450	SWITCH,(0.5KG)L.O.	1							
14	1	124160-39140	BOLT 10, PIPE JOINT	1							
15	1	119802-39450	PIPE ASSY, LUB. OIL	1							
16	1	129005-59830	BOLT ASSY, JOINT	1							
17	2	23857-030000	JOINT BOLT 3	1							
18	2	22190-080002	SEAL WASHER 8S	1							
19	1	22190-100002	SEAL WASHER 10S	2							
20	1	22190-080002	SEAL WASHER 8S	1							
21	1	26366-060002	NUT M 6	1							
22	1	26106-080352	BOLT M 8X 35 PLATED	2							
23	1	119802-35100	BRACKET ASSY, FILTER	1							
24	2	119802-35110	BRACKET, FILTER	1							
25	2	129100-35140	STUD	1							

Remarks
(1) REPAIR PART.

N:Old $\begin{matrix} \leftarrow \text{Yes} \\ \text{No} \end{matrix}$ New, Q:Old $\begin{matrix} \leftarrow \text{No} \\ \text{Yes} \end{matrix}$ New, R:Old $\begin{matrix} \leftarrow \text{Yes} \\ \text{Yes} \end{matrix}$ New, S:Old $\begin{matrix} \leftarrow \text{No} \\ \text{No} \end{matrix}$ New, W:Add, Z:Discontinued, F:Interchangeable by set, K:Q'ty Change

(A)=4TNV84-KLAN

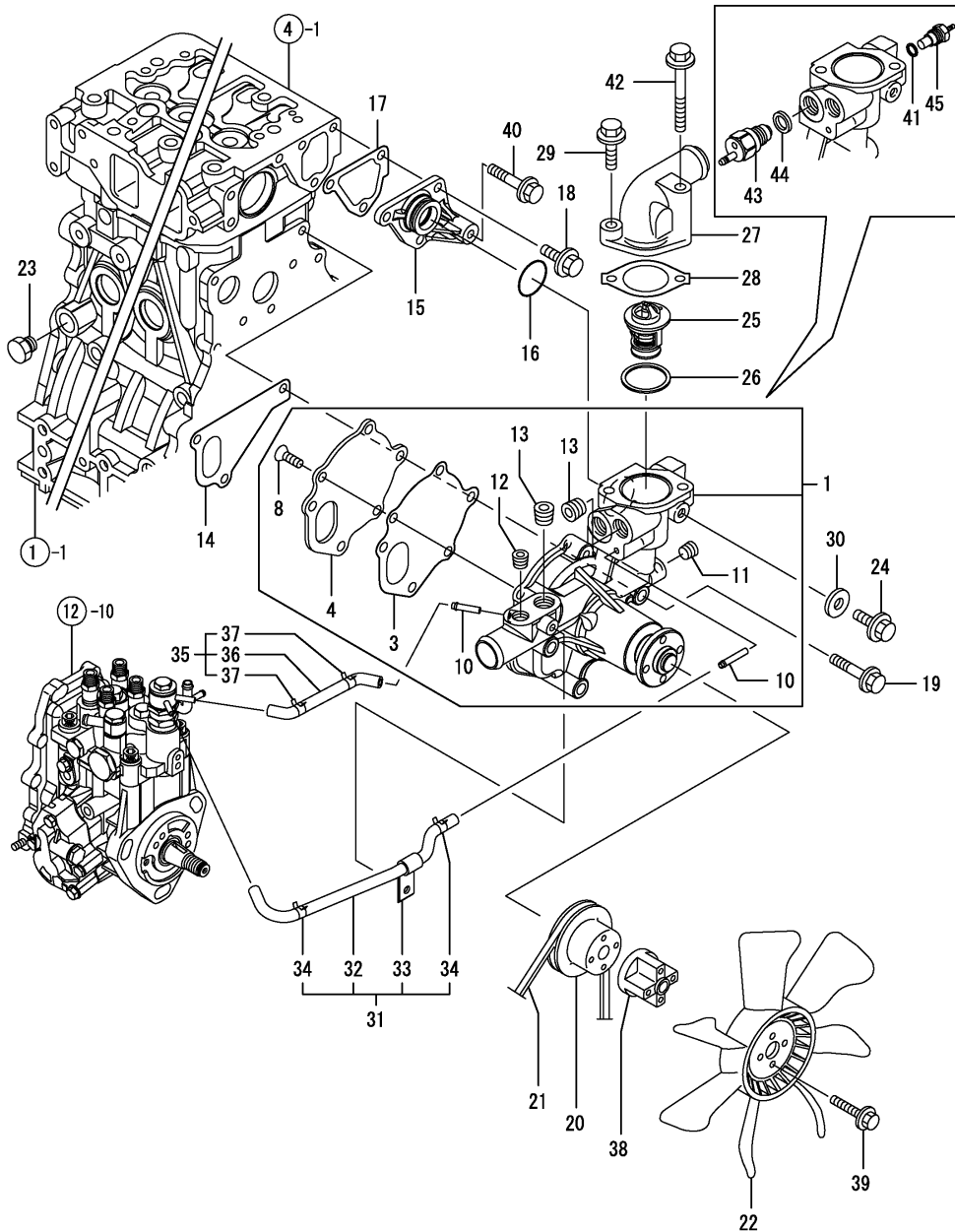
(B)=

(C)=

(D)=

(E)=

(F)=

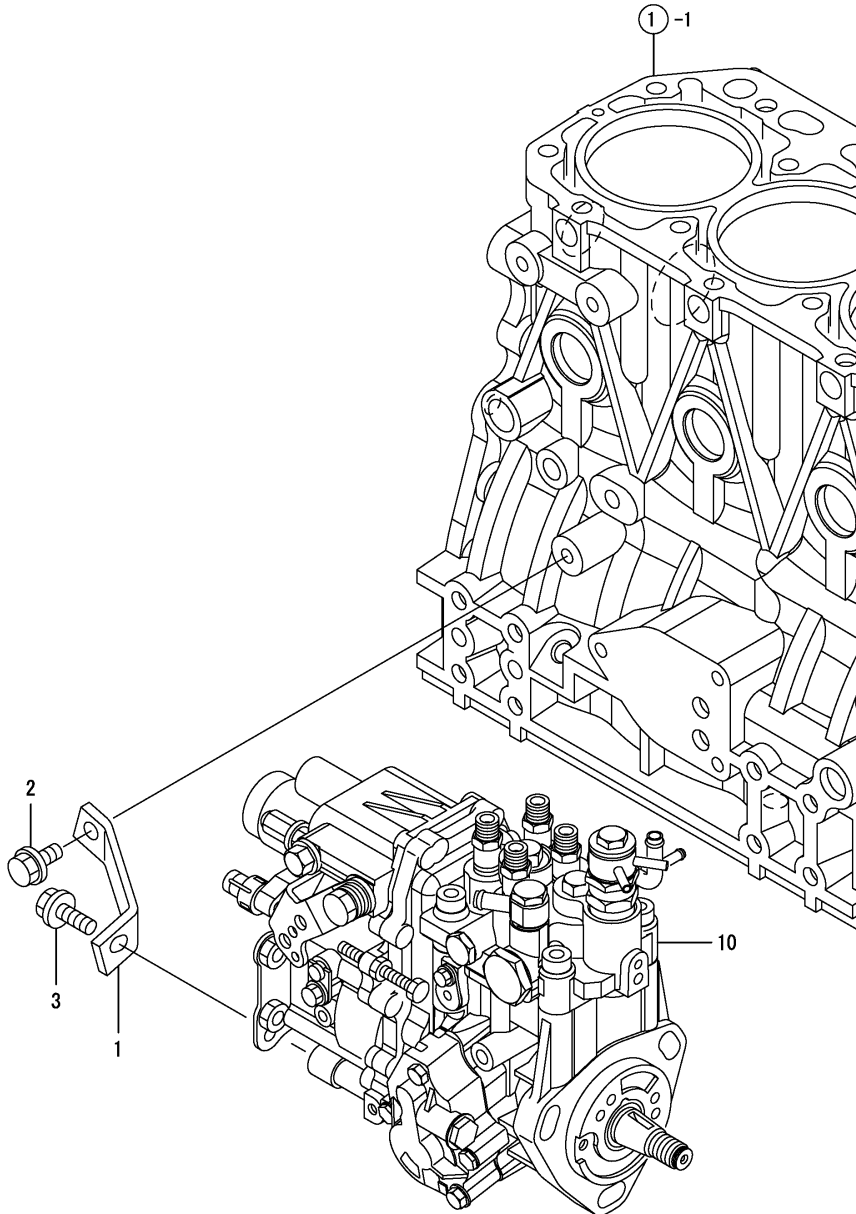


REF.	LEV.	PARTS NO.	DESCRIPTION	QTY						I	R
				(A)	(B)	(C)	(D)	(E)	(F)		
1	1	129004-42001	PUMP ASSY, WATER	1							
3	2	129100-42051	GASKET, (NON-ASB.)	1							
4	2	129100-42121	PLATE	1							
8	2	121850-42410	SCREW	3							
10	2	119802-49113	JOINT	2							
11	2	23876-010000	PLUG PT1/8,SCREW	1							
12	2	23876-020000	PLUG PT1/4,SCREW	1							
13	2	129916-49740	PLUG, DRAIN R03	2							
14	1	129486-42021	GASKET	1							
15	1	129004-42040	JOINT	1							
16	1	129486-42140	O-RING,CW-P	1							
17	1	124395-49840	GASKET, THERMO. CASE	1							
18	1	26106-080162	BOLT M 8X 16 PLATED	3							
19	1	26106-080602	BOLT M 8X 60 PLATED	3							
20	1	129155-42350	V-PULLEY, C.W. PUMP	1							
21	1	25152-003600	V-BELT A36	1							
22	1	121267-44741	FAN, COOLING (D=360)	1							
23	1	171056-49120	PLUG, DRAIN	1							
24	1	26106-080122	BOLT M 8X 12 PLATED	1							
25	1	129457-49801	THERMOSTAT(82	1							
26	1	129150-49811	GASKET, (NON-ASB.)	1							
27	1	124101-49531	COVER, THERMOSTAT	1							
28	1	129795-49551	GASKET, (NON-ASB.)	1							
29	1	26106-080252	BOLT M 8X 25 PLATED	1							
30	1	23414-080000	GASKET 8, ROUND	1							
31	1	129004-49610	PIPE ASSY, A MP2	1							
32	2	129004-49711	PIPE ASSY, A MP2	1							
33	2	119802-49730	CLAMP,CW-T	1							
34	2	124722-59050	CLAMP 9	2							
35	1	129004-49620	PIPE ASSY, B MP2	1							
36	2	129004-49721	PIPE, WATER B MP2	1							
37	2	124722-59050	CLAMP 9	2							
38	1	171353-44760	SPACER	1							
39	1	26106-060352	BOLT M 6X 35 PLATED	4							
40	1	26106-080452	BOLT M 8X 45 PLATED	1							
41	1	129150-49360	GASKET 10	1							
42	1	26106-080652	BOLT M 8X 65 PLATED	1							
43	1	121250-44901	SWITCH, THERMO.	1							
44	1	124465-44950	GASKET 16	1							
45	1	124250-49351	THERMOMETER	1							

(A)=4TNV84-KLAN
 (B)=
 (C)=

(D)=
 (E)=
 (F)=

REF.	LEV.	PARTS NO.	DESCRIPTION	Q'TY						I	R	
				(A)	(B)	(C)	(D)	(E)	(F)			
1	1	129601-51250	SUPPORT,FIP	1								
2	1	26106-080162	BOLT M 8X 16 PLATED	1								
3	1	26106-080202	BOLT M 8X 20 PLATED	1								
10	1	729657-51310	PUMP ASSY, F.INJECT	1								



(A)=4TNV84-KLAN

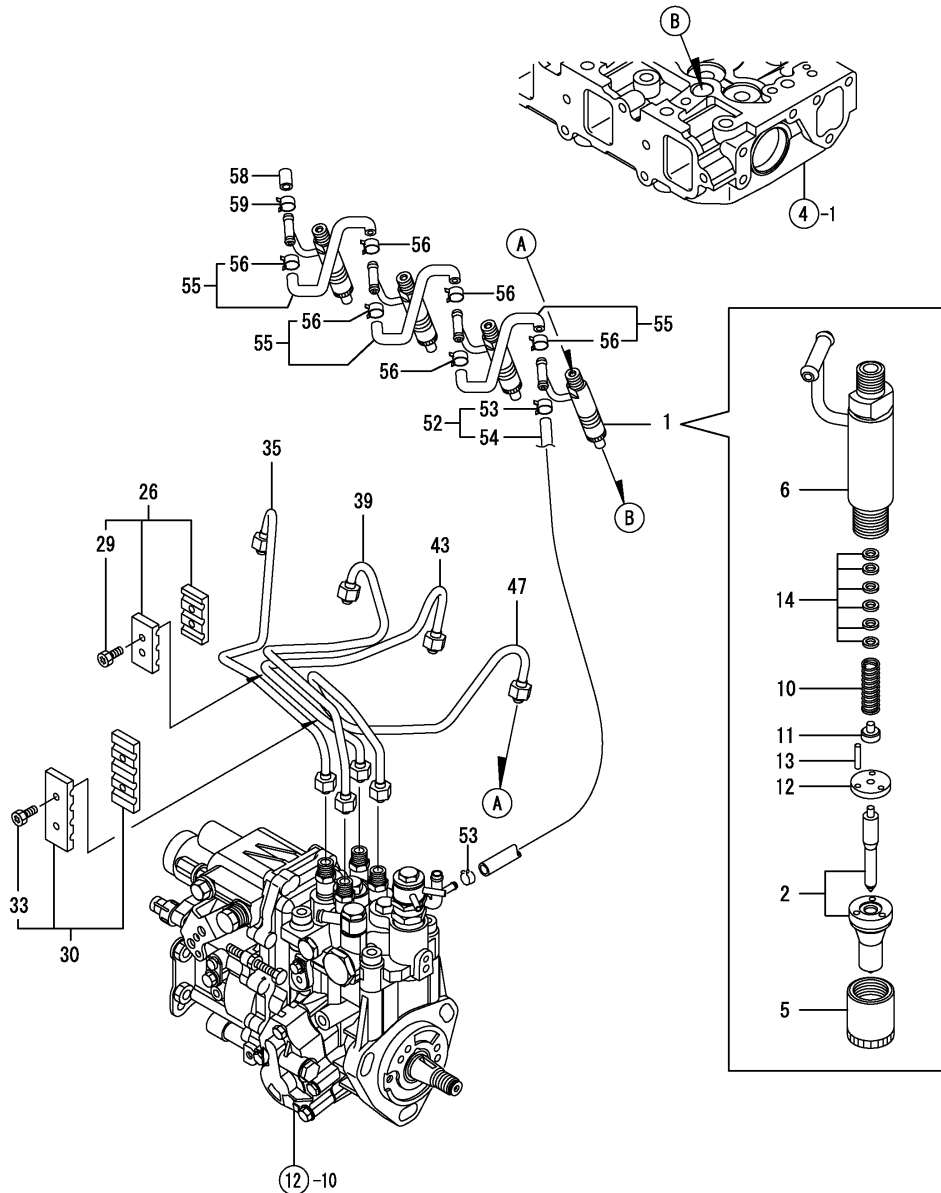
(B)=

(C)=

(D)=

(E)=

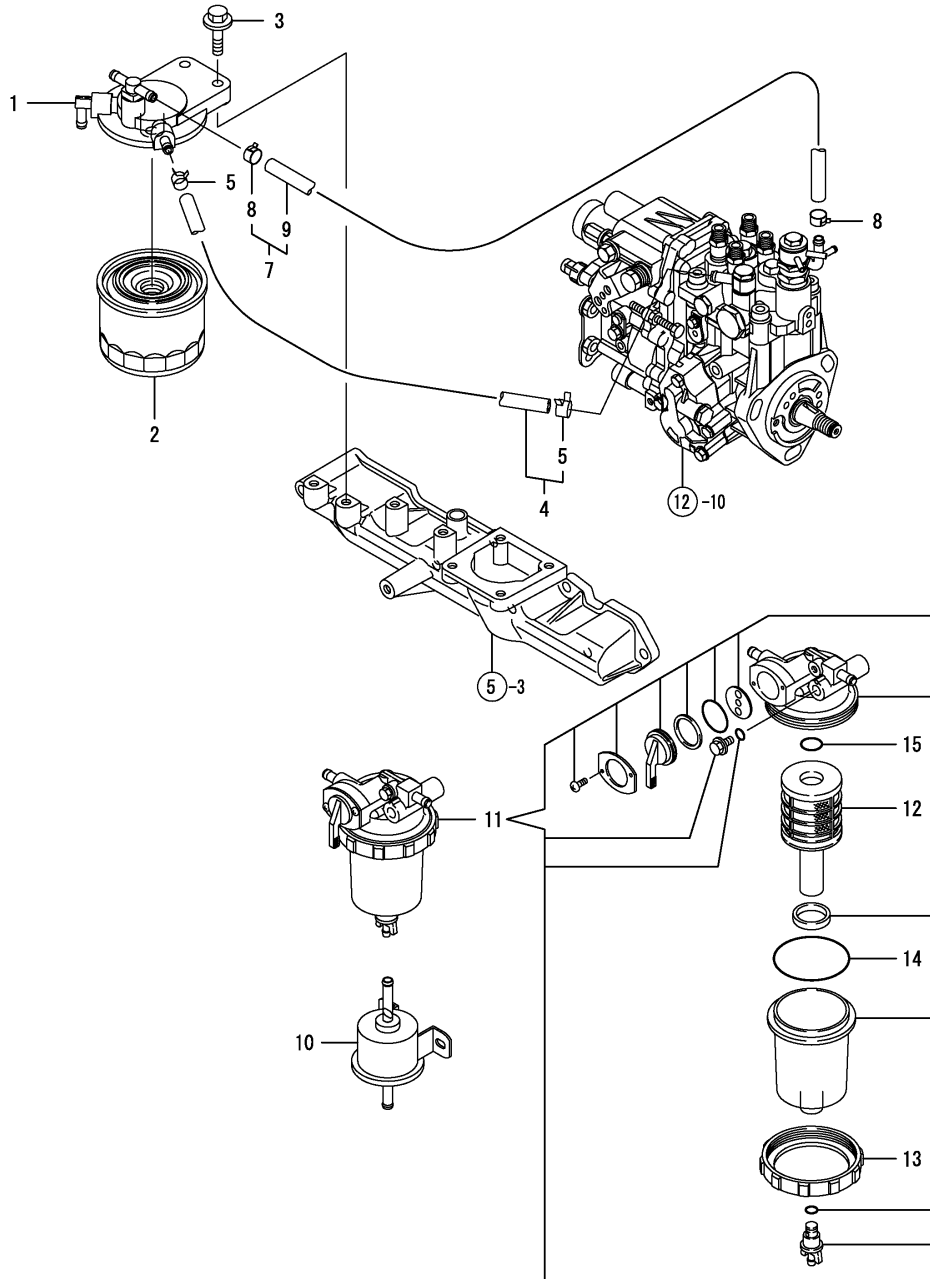
(F)=



REF.	LEV.	PARTS NO.	DESCRIPTION	Q'TY						I	R
				(A)	(B)	(C)	(D)	(E)	(F)		
1	1	729004-53101	VALVE ASSY, F.INJECT	4							
2	2	129004-53001	NOZZLE CMP	4							
5	2	114250-53080	NUT, NOZZLE CASE	4							
6	2	119802-53100	HOLDER ASSY, NOZZLE	4							
10	2	114250-53120	SPRING, NOZZLE	4							
11	2	114250-53130	SEAT, NOZZLE SPRING	4							
12	2	114250-53140	PLATE, STOP	4							
13	2	114250-53210	PIN	8							
14	2	114250-53400	SHIM PACK	4							
26	1	129150-59120	RETAINER, INJ. PIPE	1							
29	2	129150-59131	BOLT M4X14,HEX.SCKT.	2							
30	1	129550-59120	RETAINER	1							
33	2	129150-59131	BOLT M4X14,HEX.SCKT.	2							
35	1	129601-59810	PIPE ASSY, INJECTION	1							
39	1	129601-59820	PIPE ASSY, INJECTION	1							
43	1	129601-59830	PIPE ASSY, INJECTION	1							
47	1	129601-59840	PIPE ASSY, INJECTION	1							
52	1	119802-59550	PIPE ASSY, RETURN	1							
53	2	124722-59050	CLAMP 9	2							
54	2	119802-59560	PIPE, FUEL RETURN	1							
55	1	129486-59551	PIPE, FUEL RETURN	3							
56	2	124722-59050	CLAMP 9	6							
58	1	119593-59580	CAP	1							
59	1	124060-77680	CLAMP 10	1							

(A)=4TNV84-KLAN
(B)=
(C)=

(D)=
(E)=
(F)=



REF.	LEV.	PARTS NO.	DESCRIPTION	QTY						I	R
				(A)	(B)	(C)	(D)	(E)	(F)		
1	1	129004-55610	BRACKET, FILTER	1							
2	1	119802-55800	FILTER, FUEL	1							
3	1	26106-080302	BOLT M 8X 30 PLATED	2							
4	1	129210-59090	PIPE ASSY, FUEL OIL	1							
5	2	124766-59050	CLAMP 12	2							
7	1	129210-59150	PIPE ASSY, FUEL OIL	1							
8	2	124766-59050	CLAMP 12	2							
9	2	105025-59530	PIPE,FUEL (D13XL400)	1							
10	1	119225-52102	PUMP ASSY, FUEL FEED	1							
11	1	119802-55700	SEPARATOR ASSY	1							
12	2	119802-55710	ELEMENT	1							
13	2	129100-55690	RING, RETAINING	1							
14	2	24321-000650	O-RING 1A G-65.0	1							
15	2	24311-000160	O-RING 1A P-16.0	1							

(A)=4TNV84-KLAN

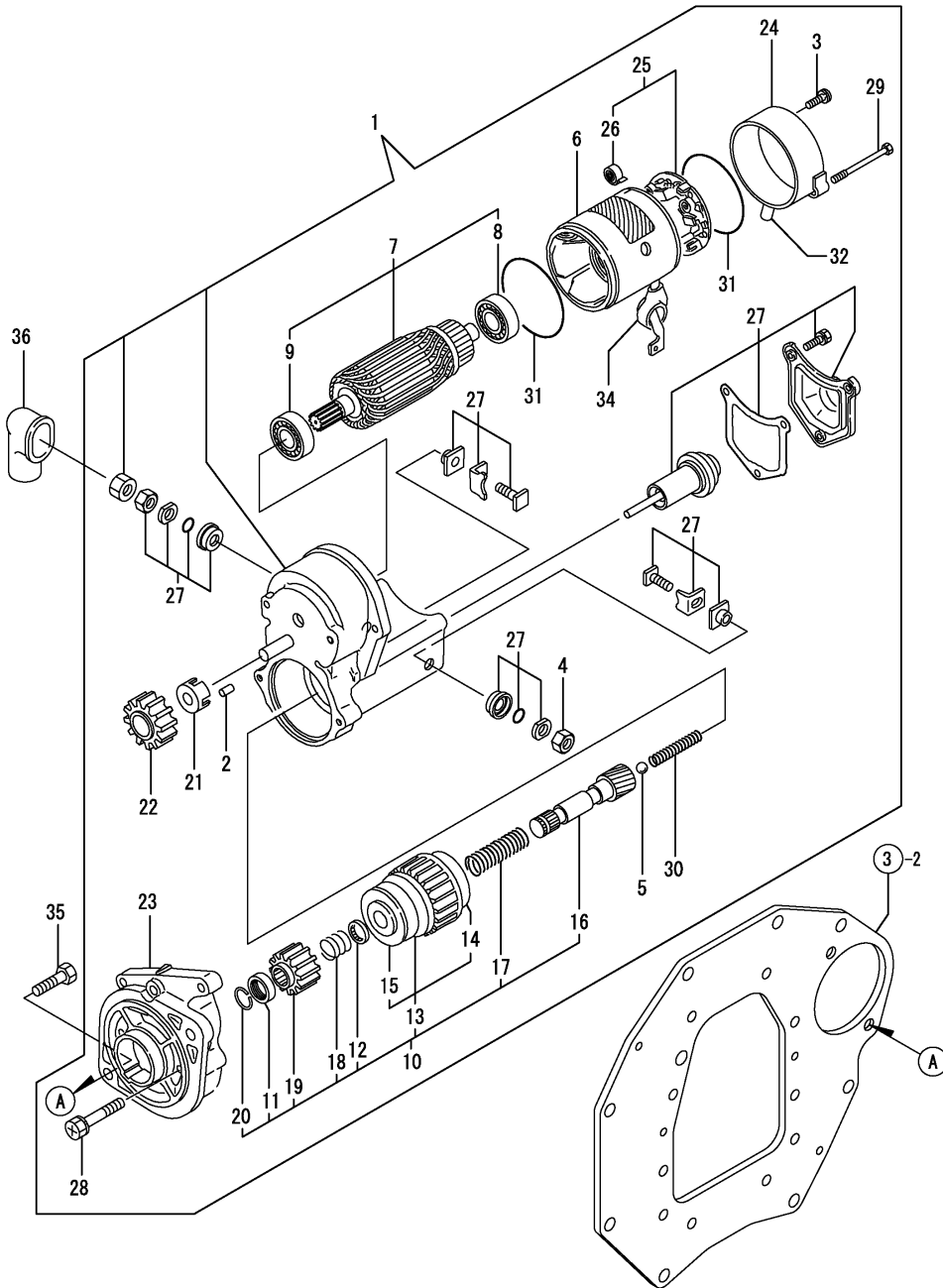
(B)=

(C)=

(D)=

(E)=

(F)=



REF.	LEV.	PARTS NO.	DESCRIPTION	QTY						I	R
				(A)	(B)	(C)	(D)	(E)	(F)		
1	1	129407-77010	STARTER ASSY	1							
2	2	X0283060061	ROLLER	5							
3	2	129129-77460	SCREW	2							
4	2	X9490561370	NUT	1							
5	2	X9491200240	BALL	1							
6	2	129407-77210	YOKE	1							
7	2	129407-77220	ARMATURE ASSY	1							
8	3	129129-77230	BEARING	1							
9	3	129129-77240	BEARING	1							
10	2	129407-77250	STARTER KIT	1							
11	3	X0280210230	NUT	1							
12	3	X0283270140	RETAINER	1							
13	3	129407-77390	CLUTCH,STARTER	1							
14	4	129129-77440	BEARING	1							
15	4	129129-77450	BEARING	1							
16	3	129129-77400	SHAFT	1							
17	3	129129-77410	SPRING, COIL	1							
18	3	129407-77410	SPRING	1							
19	3	129129-77420	PINION	1							
20	3	129129-77430	RING	1							
21	2	129129-77260	RETAINER	1							
22	2	129129-77270	PINION	1							
23	2	129407-77280	HOUSING	1							
24	2	129407-77290	FRAME	1							
25	2	129407-77300	HOLDER ASSY	1							
26	3	X9491730461	SPRING	4							
27	2	129407-77310	SWITCH ASSY	1							
28	2	129129-77320	BOLT	2							
29	2	129407-77330	BOLT, W/WASHER	2							
30	2	129129-77340	SPRING	1							
31	2	129129-77350	O-RING	2							
32	2	129129-77362	COVER	1							
34	2	129129-77380	CAP	1							
35	1	26116-120252	BOLT M12X 25 PLATED	1							
36	1	124550-77030	COVER, TERMINAL	1							

(A)=4TNV84-KLAN

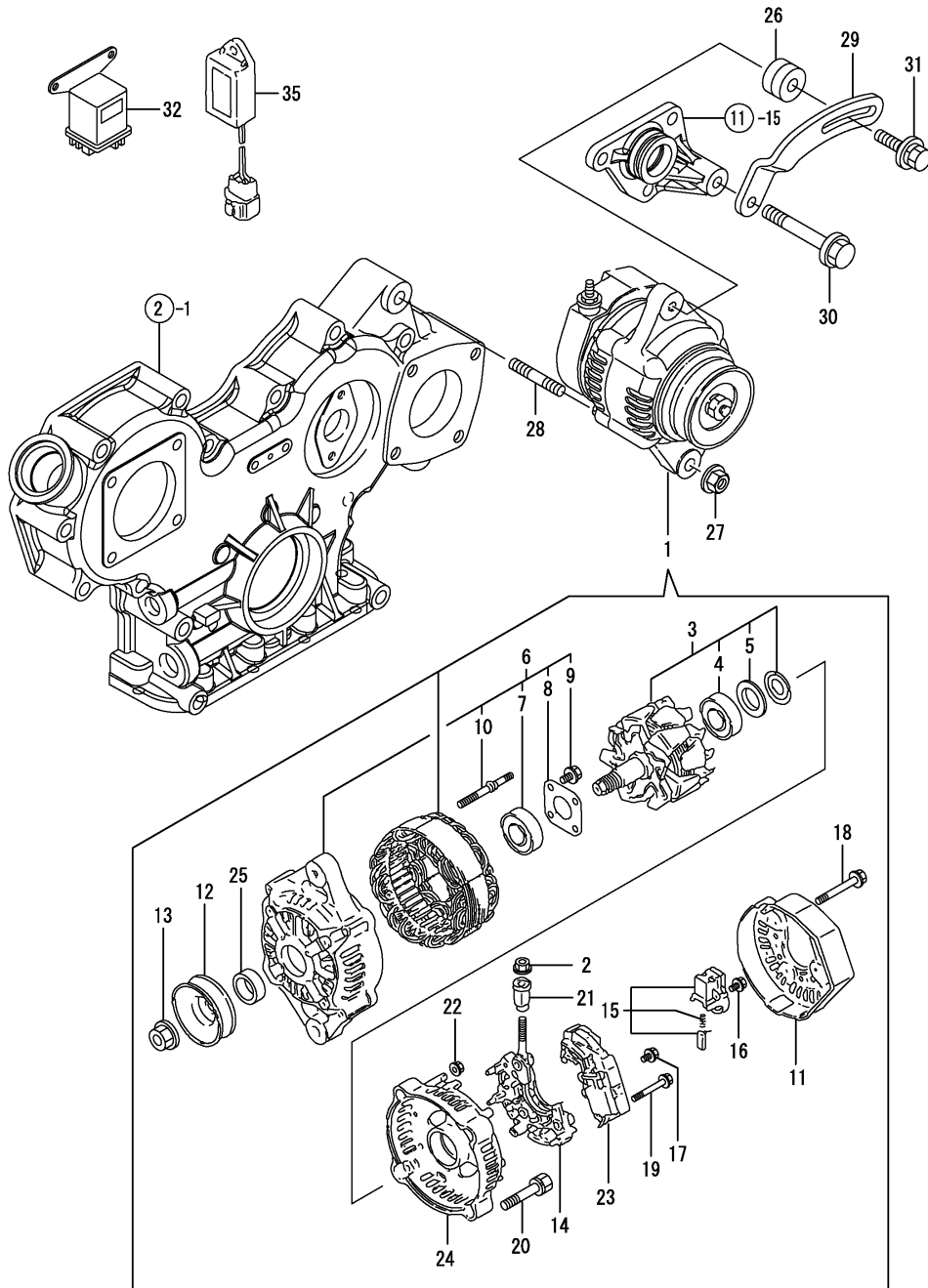
(B)=

(C)=

(D)=

(E)=

(F)=



REF.	LEV.	PARTS NO.	DESCRIPTION	QTY						I	R
				(A)	(B)	(C)	(D)	(E)	(F)		
1	1	119626-77210	ALTERNATOR ASSY	1							
2	2	X9490561001	NUT	1							
3	2	129052-77380	ROTATOR ASSY	1							
4	3	125301-79240	BALL BEARING	1							
5	3	119620-79250	COVER, BEARING	1							
6	2	129052-77422	FRAME ASSY	1							
7	3	119620-79200	BALL BEARING	1							
8	3	119620-79210	PLATE	1							
9	3	119620-79220	SCREW	4							
10	3	119620-79230	BOLT, STUD	2							
11	2	128401-77440	FLAME	1							
12	2	119620-77461	PULLEY	1							
13	2	119620-77471	NUT	1							
14	2	129052-79260	HOLDER, SUB, RECTIFIER	1							
15	2	129052-79270	HOLDER, BRUSH	1							
16	2	119620-79290	SCREW	6							
17	2	119620-79300	SCREW	1							
18	2	119620-79310	BOLT	3							
19	2	119620-79320	SCREW W/WASHER	2							
20	2	119620-79330	BOLT	2							
21	2	119620-79340	INSULATION BUSH	1							
22	2	119620-79350	NUT	2							
23	2	119626-77710	REGULATOR ASSY	1							
24	2	119626-77450	COVER, END, RR	1							
25	2	119620-77490	COLLAR	1							
26	1	129657-77340	SPACER, ADJUSTER	1							
27	1	26306-100002	NUT	1							
28	1	129795-01900	STUD	1							
29	1	129051-77330	ADJUSTER, BELT	1							
30	1	26106-080502	BOLT M 8X 50 PLATED	1							
31	1	26014-080502	BOLT M 8X 50	1							
32	1	119650-77910	RELAY, GROW	1							
35	1	129211-77920	TIMER	1							

(A)=4TNV84-KLAN

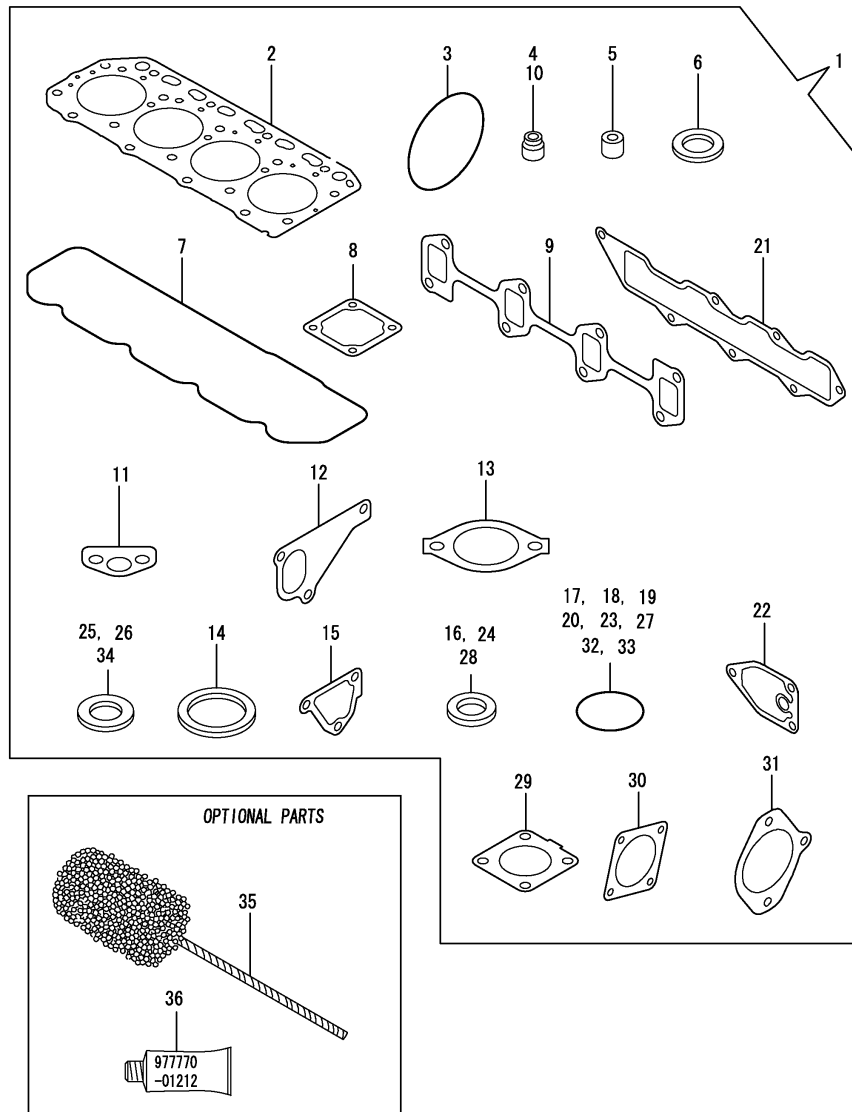
(B)=

(C)=

(D)=

(E)=

(F)=



REF.	LEV.	PARTS NO.	DESCRIPTION	QTY						I	R
				(A)	(B)	(C)	(D)	(E)	(F)		
1	1	729618-92680	GASKET SET(NON-ASB.)	1							1
2	2	129408-01330	GASKET, CYL.HEAD	1							
3	2	121850-51960	O-RING, F.I.PUMP	1							
4	2	124460-11340	SEAL, VALVE STEM	4							
5	2	119802-11870	PROTECTOR, NOZZLE	4							
6	2	119625-11880	SEAT, NOZZLE	4							
7	2	129601-11310	GASKET,COVER	1							
8	2	129150-77511	GASKET, (NON-ASB.)	1							
9	2	129550-13110	GASKET, EXH.MANIFOLD	1							
10	2	121400-11340	SEAL, VALVE STEM	4							
11	2	129150-35041	GASKET, (NON-ASB.)	1							
12	2	129486-42021	GASKET	1							
13	2	129795-49551	GASKET, (NON-ASB.)	1							
14	2	129150-49811	GASKET, (NON-ASB.)	1							
15	2	124395-49840	GASKET, THERMO. CASE	1							
16	2	22190-080002	SEAL WASHER 8S	2							
17	2	24311-000120	O-RING 1A P 12.0	3							
18	2	24311-000320	O-RING 1A P-32.0	2							
19	2	24341-000240	O-RING 1A S-24.0	1							
20	2	129486-42140	O-RING,CW-P	1							
21	2	129407-12110	GASKET,INT.MANIFOLD	1							
22	2	129150-35111	GASKET, (NON-ASB.)	1							
23	2	119609-32040	O-RING P16	4							
24	2	22190-100002	SEAL WASHER 10S	2							
25	2	23414-080000	GASKET 8, ROUND	1							
26	2	129150-49360	GASKET 10	1							
27	2	24311-000180	O-RING 1A P-18.0	2							
28	2	22190-160002	SEAL WASHER 16S	1							
29	2	129930-13200	GASKET, SILENCER	1							
30	2	124240-01883	GASKET, (NON-ASB.)	1							
31	2	171353-26081	GASKET,HO-P BRACKET	1							
32	2	24321-000850	O-RING 1A G-85.0	1							
33	2	24311-000140	O-RING 1A P-14.0	1							
34	2	124465-44950	GASKET 16	1							
35	1	129400-92420	FLEX HORN	1							1
36	1	977770-01212	GASKET, LIQUID	1							1

 Remarks
 (1) OPTIONAL PART.

 N:Old $\begin{matrix} \leftarrow \text{Yes} \\ \text{No} \rightarrow \end{matrix}$ New, Q:Old $\begin{matrix} \leftarrow \text{No} \\ \text{Yes} \rightarrow \end{matrix}$ New, R:Old $\begin{matrix} \leftarrow \text{Yes} \\ \text{Yes} \rightarrow \end{matrix}$ New, S:Old $\begin{matrix} \leftarrow \text{No} \\ \text{No} \rightarrow \end{matrix}$ New, W:Add, Z:Discontinued, F:Interchangeable by set, K:Q'ty Change

Part Number Index

All parts are stipulated in the order of part numbers.

(Depending on the area in which the part is used.)

This index will display the location of the part according to each part number.

PARTS No. INDEX

PARTS No.	Fig.	Ref.No.
105025-59530	14	9
105425-01690	3	7
114250-39450	10	13
114250-53080	13	5
114250-53120	13	10
114250-53130	13	11
114250-53140	13	12
114250-53210	13	13
114250-53400	13	14
119131-18320	6	5
119225-52102	14	10
119309-01810	1	30
119593-59580	13	58
119609-32040	2	17
	17	23
119620-77461	16	12
119620-77471	16	13
119620-77490	16	25
119620-79200	16	7
119620-79210	16	8
119620-79220	16	9
119620-79230	16	10
119620-79250	16	5
119620-79290	16	16
119620-79300	16	17
119620-79310	16	18
119620-79320	16	19
119620-79330	16	20
119620-79340	16	21
119620-79350	16	22
119625-11880	4	20
	17	6
119626-77210	16	1
119626-77450	16	24
119626-77710	16	23
119650-77910	16	32
119802-01560	2	13
119802-03110	4	41
119802-03120	4	42
119802-03130	4	43
119802-03140	4	44
119802-11260	4	26
119802-11270	4	27
119802-11870	4	19
	17	5
119802-21201	8	5
119802-25051	7	9
119802-25070	7	13
119802-25100	7	10
119802-25901	7	15

PARTS No.	Fig.	Ref.No.
119802-32070	2	8
119802-32100	2	7
119802-32111	2	18
119802-32120	2	19
119802-32130	2	20
119802-35100	10	23
119802-35110	10	24
119802-39450	10	15
119802-49113	11	10
119802-49730	11	33
119802-53100	13	6
119802-55700	14	11
119802-55710	14	12
119802-55800	14	2
119802-59550	13	52
119802-59560	13	54
119865-21600	8	18
120130-11860	4	5
120270-54410	4	23
121023-01550	2	28
121023-26070	7	19
121111-21501	8	14
121250-44901	11	43
121267-44741	11	22
121400-11340	4	16
	17	10
121520-34810	10	2
121550-23200	8	32
121850-21290	8	6
	9	16
121850-21680	8	13
121850-42410	11	8
121850-51960	2	21
	17	3
123900-13610	6	3
123900-13630	6	4
124060-01050	1	10
124060-77680	13	59
124101-49531	11	27
124160-01751	2	14
	4	50
124160-01910	1	5
124160-11360	4	52
124160-39140	10	14
124240-01871	2	15
	7	17
124240-01883	7	18
	17	30
124250-49351	11	45
124395-49840	11	17

PARTS No.	Fig.	Ref.No.
124395-49840	17	15
124460-11340	4	17
	17	4
124465-44950	11	44
	17	34
124550-77030	15	36
124722-59050	11	34
		37
	13	53
		56
124766-59050	14	5
		8
125301-79240	16	4
128170-14150	9	17
128401-77440	16	11
129001-01250	1	11
129001-02930	1	24
129001-32330	2	11
129001-91841	2	22
129001-91870	3	10
129001-91910	3	11
129004-01190	1	33
129004-03010	4	39
129004-11100	4	10
129004-11650	4	31
129004-11900	4	21
129004-22080	8	19
129004-22500	8	21
129004-22900	8	35
129004-22950	8	37
129004-42001	11	1
129004-42040	11	15
129004-49610	11	31
129004-49620	11	35
129004-49711	11	32
129004-49721	11	36
129004-53001	13	2
129004-55610	14	1
129005-01520	2	12
129005-03080	5	1
129005-59830	10	16
129051-01600	3	2
129051-01721	3	5
129051-26200	7	21
129051-26210	7	23
129051-77330	16	29
129052-77380	16	3
129052-77422	16	6
129052-79260	16	14
129052-79270	16	15

PARTS No.	Fig.	Ref.No.
129100-01580	3	1
		16
	8	2
129100-01640	3	17
129100-11110	4	11
129100-23910	8	31
129100-35140	10	25
129100-42051	11	3
129100-42121	11	4
129100-55690	14	13
129120-77501	5	8
129129-77230	15	8
129129-77240	15	9
129129-77260	15	21
129129-77270	15	22
129129-77320	15	28
129129-77340	15	30
129129-77350	15	31
129129-77362	15	32
129129-77380	15	34
129129-77400	15	16
129129-77410	15	17
129129-77420	15	19
129129-77430	15	20
129129-77440	15	14
129129-77450	15	15
129129-77460	15	3
129150-01200	1	31
129150-02020	1	7
129150-02450	7	4
129150-02870	1	34
129150-02930	1	27
129150-02940	1	37
129150-03070	4	40
129150-11230	4	32
129150-11280	4	28
129150-11370	4	18
129150-11750	4	34
129150-11810	4	7
129150-14101	7	7
129150-14200	7	1
129150-14400	7	2
129150-23600	8	33
129150-23610	8	41
129150-25301	7	16
129150-35041	10	3
	17	11
129150-35111	10	10
	17	22
129150-35153	10	11

PARTS No. INDEX

PARTS No.	Fig.	Ref.No.
129150-49360	11	41
	17	26
129150-49811	11	26
	17	14
129150-59120	13	26
129150-59131	13	29
		33
129150-77511	5	9
	17	8
129155-42350	11	20
129202-22300	8	25
129210-59090	14	4
129210-59150	14	7
129211-77920	16	35
129400-28121	8	7
129400-28150	9	15
129400-92420	17	35
129407-12110	5	5
	17	21
129407-28240	9	4
129407-77010	15	1
129407-77210	15	6
129407-77220	15	7
129407-77250	15	10
129407-77280	15	23
129407-77290	15	24
129407-77300	15	25
129407-77310	15	27
129407-77330	15	29
129407-77390	15	13
129407-77410	15	18
129408-01330	1	32
	17	2
129410-03990	5	2
129411-13100	6	1
129418-32320	2	10
129457-01700	3	4
129457-01780	3	6
129457-21560	8	15
129457-21650	8	11
129457-28000	9	1
129457-28011	9	2
129457-34800	10	1
129457-35090	10	4
129457-49801	11	25
129486-01670	3	20
129486-42021	11	14
	17	12
129486-42140	11	16
	17	20

PARTS No.	Fig.	Ref.No.
129486-59551	13	55
129550-13110	6	2
	17	9
129550-59120	13	30
129601-11241	4	25
129601-11251	4	29
129601-11310	4	47
	17	7
129601-11350	4	38
129601-11700	4	1
129601-51250	12	1
129601-59810	13	35
129601-59820	13	39
129601-59830	13	43
129601-59840	13	47
129602-12100	5	3
129657-21001	8	1
129657-77340	16	26
129795-01780	3	19
129795-01800	2	6
129795-01900	16	28
129795-01950	2	16
129795-01960	9	20
129795-02411	1	14
129795-11120	4	12
129795-11180	4	13
129795-21661	8	12
129795-49551	11	28
	17	13
129900-07900	4	54
129900-32130	2	9
129916-49740	11	13
129930-13200	6	7
	17	29
158552-51151	7	33
171051-01921	1	6
171056-49120	11	23
171353-26081	7	20
	17	31
171353-44760	11	38
729004-53101	13	1
729005-01500	2	1
729402-14580	7	3
729402-23100	8	27
729490-28510	9	5
729490-28520	9	10
729618-92680	17	1
729657-01570	1	1
729657-51310	12	10
977770-01212	2	31

PARTS No.	Fig.	Ref.No.
977770-01212	3	21
	4	56
	17	36
X0280210230	15	11
X0283060061	15	2
X0283270140	15	12
X9490561001	16	2
X9490561370	15	4
X9491200240	15	5
X9491730461	15	26

PARTS No.	Fig.	Ref.No.
-----------	------	---------



YANMAR CO., LTD.