



# PARTS CATALOG



Published 2010/12 (Dec.)

OCW10-G01400

# PREFACE

- 1.This Parts Catalog carries all parts incorporated in YANMAR Model 4TNE98-NMH, engine manufactured since February, 2005.
- 2.Each illustration corresponds to the parts list on the following page.
- 3.When ordering parts,clearly write down the engine model and serial number,as well as the name and number of each part in your order sheet. This will help insure reliable delivery of the parts you have ordered.

## Directions for the Parts Catalog.

1. The parts stipulated in this Parts Catalog are not necessarily standard equipped parts.
2. Parts may change without prior notice.
3. The following is an example of the Parts Catalog format.

OCF10-G21601 29. FUEL INJECTION PUMP(W/BOOST)

REF.	LEV.	PARTS NO.	DESCRIPTION	Q'TY						I	R
				(A)	(B)	(C)	(D)	(E)	(F)		
1	1	729595-51390	FUEL INJECTION PUMP	1	1	1	1	1	1		1
1-1	1	729595-51391	FUEL INJECTION PUMP	1	1	1	1	1	1	N	1
		(A=E00185) (B=E00200)									
3	2	26022-060162	SCREW M 6X 16	9	9	9	9	9			
3-1	2	26022-060162	SCREW M 6X 16	4	4	4	4	4		K	
		(A=E00156) (B=E00156) (C=E00156) (D=E00156) (E=E00156)									
4	2	129470-51040	CAMSHAFT	1	1	1	1	1	1		
5	2	122710-51050	BEARING, ROLLER	2	2	2	2	2			
6	2	129470-51060	RETAINER	1	1	1	1	1			

Remarks

(1) BOOST COMPEMSATOR TYPE. OPTIONAL PART, TO E00155,(4JH-DT, 4JH-DTZ

### ① Ref. No.

The Ref. No. listed may not be in accordance with the illustration Ref. No.

(Ex.) Illustration No. 1 List Ref No. 1 (Before change) → 1-1 (After change)

For interchangeable symbols N, R and K, illustrations for new parts may be abbreviated.

### ② Lev. (Level)

Level indication

The numbers below indicate the level of relativity towards the main part.

1 ---- Main parts (Assembly parts)

2 ---- Sub component included in " 1 ".

3 ---- Sub component included in " 2 ".

Note) Parts that are not for sale are partially illustrated but not listed.

### ③ Interchangeability Mark

When a part change takes place, one of the following interchangeability symbols is indicated beside the part.

Symbol	Interchangeability	Contents note
N	Old $\begin{matrix} \leftarrow \text{Yes} \\ \text{No} \rightarrow \end{matrix}$ New	New Part is interchangeable for Old Part but Old Part is not interchangeable for New Part.
Q	Old $\begin{matrix} \leftarrow \text{No} \\ \text{Yes} \rightarrow \end{matrix}$ New	New Part is not interchangeable for Old Part but Old Part is interchangeable for New Part.
R	Old $\begin{matrix} \leftarrow \text{Yes} \\ \text{Yes} \rightarrow \end{matrix}$ New	New/ Old Parts are both interchangeable.
S	Old $\begin{matrix} \leftarrow \text{No} \\ \text{No} \rightarrow \end{matrix}$ New	New/ Old Parts are both not interchangeable.
W		Part newly added.
Z		Part discontinued.
F		Not interchangeable by a single part but interchangeable together with related parts.
K		Changes only for used parts quantities.

### ④ Effective Machine No.

When a part changes, the effective Machine No. will be indicated in the (A)-(F) column.

Product Symbol	Product No.	Product Symbol	Product No.
C	Clutch No. Compressor No.	F	Machine No. (Agricultural Equip.)
D	Drive No.	M	Machine No.
E	Engine No.		

Note 1) A date may follow the symbol. (Ex.) 1996.01

Note 2) " XXXXX " and " ZZZZZ " are for parts that could not be predicted or for engine models that could not be identified.

Note 3) (A=E00185) is the E (Engine Serial Number) for the column (A) model (in this case 4JH-DT) after the parts design change.

### ⑤ Remarks Mark

Figures or alphabets (symbols) are entered in the remarks column.

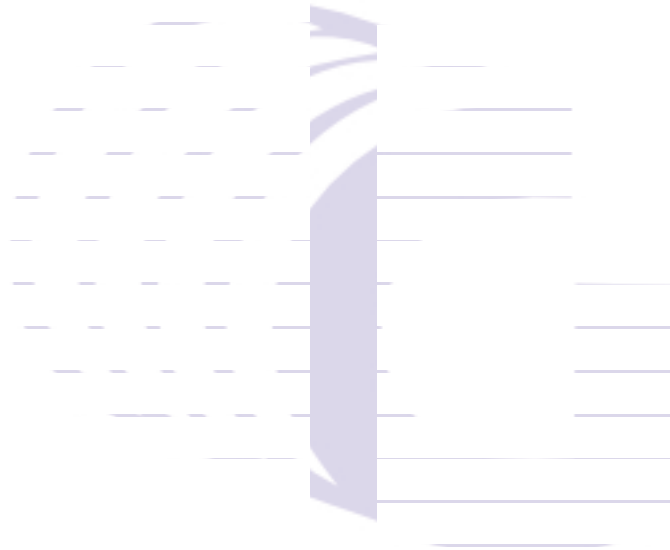
The comments (remarks) on parts that are indicated at the bottom of the illustration are the same symbols as those stated above.

Fig.No. GROUP NAME

ENGINE 4TNE98-NMH

1. CYLINDER BLOCK
2. GEAR HOUSING
3. OIL SUMP
4. CYLINDER HEAD & BONNET
5. SUCTION & EXHAUST MANIFOLD
6. CAMSHAFT & DRIVING GEAR
7. CRANKSHAFT & PISTON
8. LUB.OIL SYSTEM
9. COOLING WATER SYSTEM
10. FUEL INJECTION PUMP
11. FUEL INJECTION VALVE
12. FUEL FILTER
13. STARTING MOTOR
14. GENERATOR
15. GASKET SET

Fig.No. GROUP NAME



(A)=4TNE98-NMH

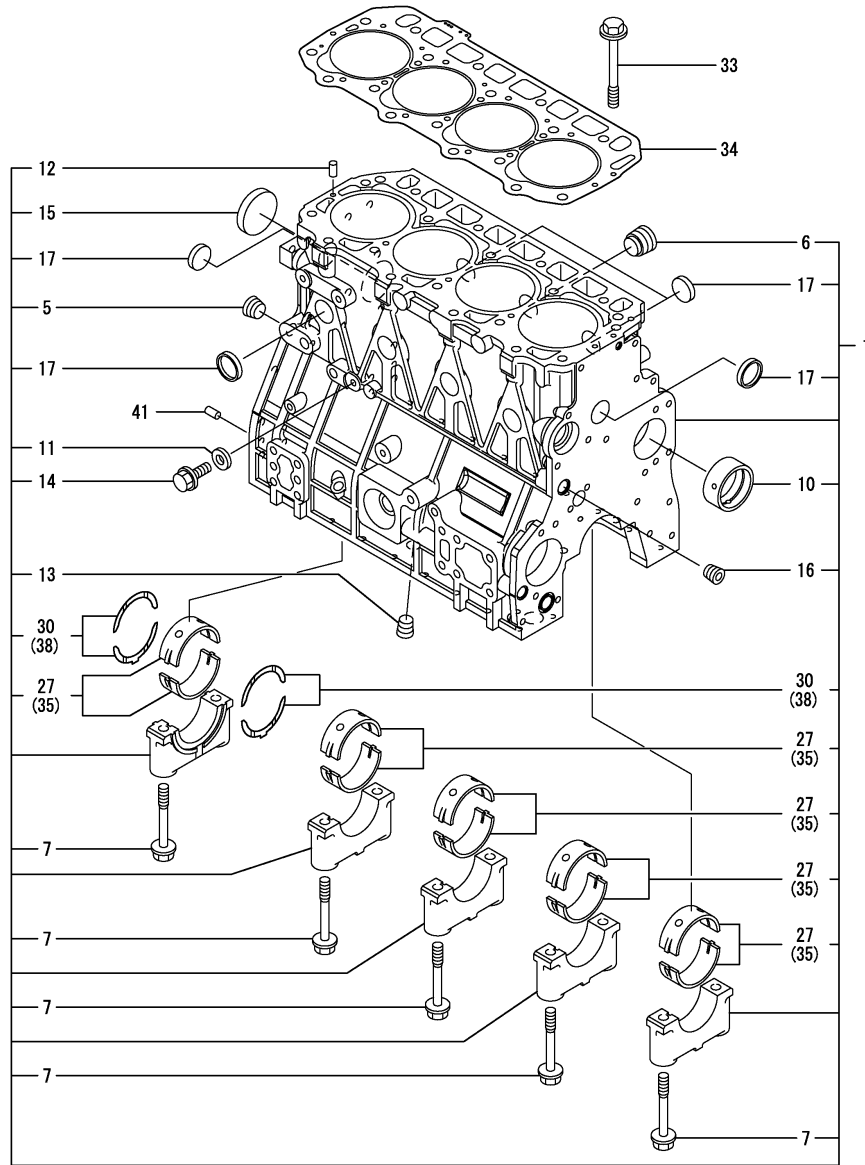
(B)=

(C)=

(D)=

(E)=

(F)=



REF.	LEV.	PARTS NO.	DESCRIPTION	QTY						I	R
				(A)	(B)	(C)	(D)	(E)	(F)		
1	1	729903-01560	BLOCK ASSY, CYLINDER	1							
5	2	23876-030000	PLUG PT3/8,SCREW	1							
6	2	171051-01921	PLUG	1							
7	2	129900-02020	BOLT, METAL CAP	10							
10	2	129900-02410	BUSH, CAMSHAFT	1							
11	2	22190-080002	SEAL WASHER 8S	1							
12	2	22351-060012	SPRING PIN 6X12	2							
13	2	23876-030000	PLUG PT3/8,SCREW	1							
14	2	26106-080122	BOLT M 8X 12 PLATED	1							
15	2	129900-01250	PLUG 55	1							
16	2	23876-030000	PLUG PT3/8,SCREW	1							
17	2	27241-300000	PLUG 30	8							
27	2	729900-02800	MAIN BEARING SET	5							3
30	2	129900-02930	BEARING ASSY, THRUST	2							
33	1	129900-01200	BOLT, HEAD	18							
34	1	129903-01350	GASKET, HEAD	1							
35	1	129900-02340	MAIN BEARING US=0.25	5							1
38	1	129900-02940	BEARING,THRUST .25OS	2							2
41	1	129100-01580	PARALLEL PIN 8X16	2							

Remarks

- (1) UNDER-SIZED(U.S=0.25)PART.
- (2) OVER-SIZED(O.S=0.25)PART.
- (3) REPAIR PART.

(A)=4TNE98-NMH

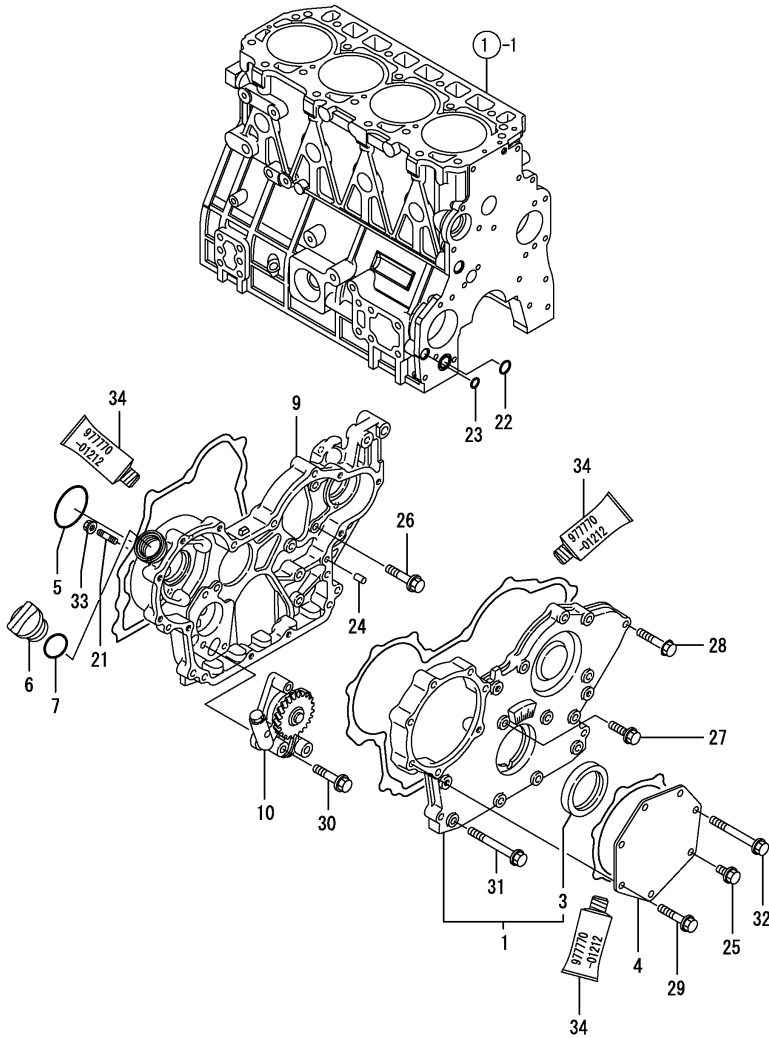
(B)=

(C)=

(D)=

(E)=

(F)=



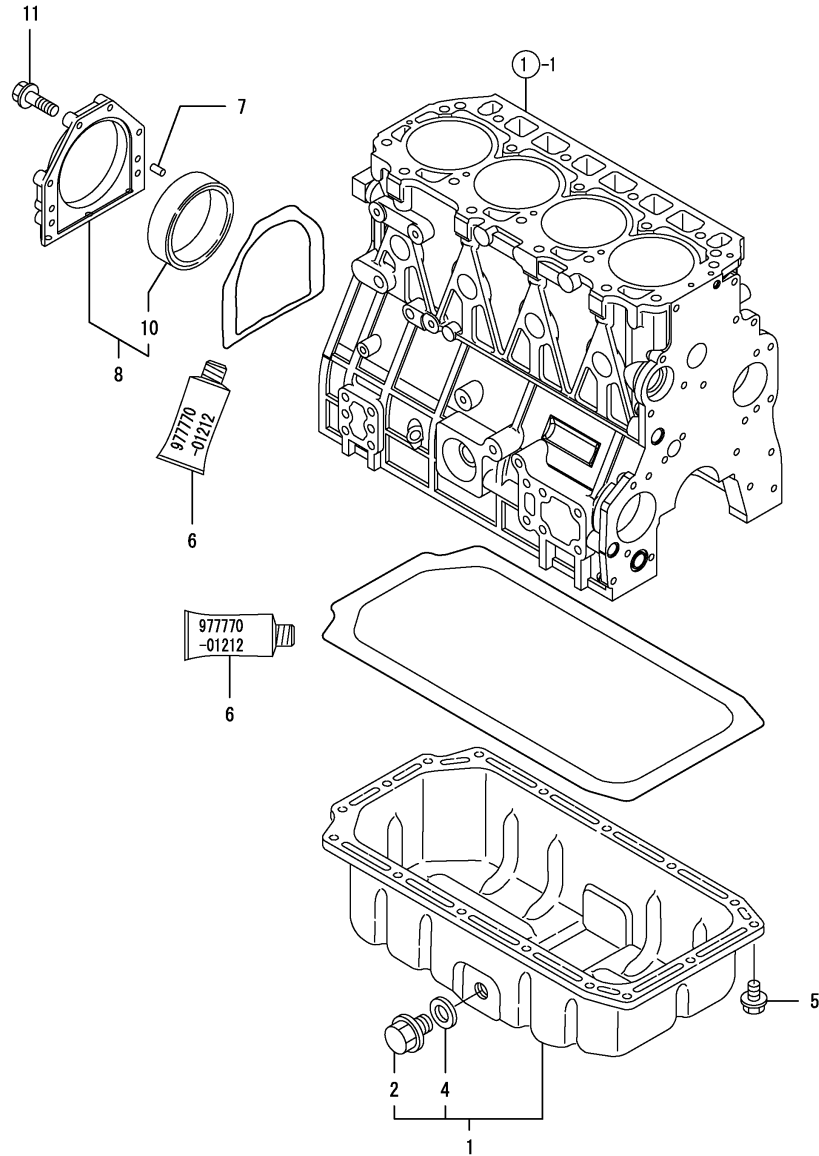
REF.	LEV.	PARTS NO.	DESCRIPTION	QTY						I	R
				(A)	(B)	(C)	(D)	(E)	(F)		
1	1	729900-01500	COVER ASSY, GEAR CASE	1							
3	2	129900-01780	SEAL, OIL	1							
4	1	129951-01740	COVER, F.I. PUMP	1							
5	1	24341-000500	O-RING 1A S-50.0	1							
6	1	124160-01751	COVER, FILLER	1							
7	1	24311-000320	O-RING 1A P-32.0	1							
9	1	129901-01520	GEAR CASE	1							
10	1	129900-32001	PUMP ASSY, LUB.OIL	1							
21	1	26226-080202	STUD M 8X 20 PLATED	3							
22	1	129900-32030	O-RING P20	1							
23	1	129900-32040	O-RING P14	1							
24	1	129100-01580	PARALLEL PIN 8X16	4							
25	1	26106-080162	BOLT M 8X 16 PLATED	1							
26	1	26106-080202	BOLT M 8X 20 PLATED	3							
27	1	26106-080302	BOLT M 8X 30 PLATED	1							
28	1	26106-080402	BOLT M 8X 40 PLATED	5							
29	1	26106-080402	BOLT M 8X 40 PLATED	5							
30	1	26106-080452	BOLT M 8X 45 PLATED	3							
31	1	129001-91810	BOLT M 8X 70 PLATED	6							
32	1	129001-91810	BOLT M 8X 70 PLATED	1							
33	1	26306-080002	NUT	3							
34	1	977770-01212	GASKET, LIQUID	1							1

Remarks  
 (1) OPTIONAL PART.

N:Old  $\xrightarrow{\text{Yes}}$  New, Q:Old  $\xrightarrow{\text{No}}$  New, R:Old  $\xrightarrow{\text{Yes}}$  New, S:Old  $\xrightarrow{\text{No}}$  New, W:Add, Z:Discontinued, F:Interchangeable by set, K:Q'ty Change

(A)=4TNE98-NMH  
(B)=  
(C)=

(D)=  
(E)=  
(F)=



REF.	LEV.	PARTS NO.	DESCRIPTION	QTY						I	R
				(A)	(B)	(C)	(D)	(E)	(F)		
1	1	129902-01710	SUMP ASSY, OIL	1							
2	2	119640-01640	DRAIN PLUG M22	1							
4	2	22190-220002	SEAL WASHER 22S	1							
5	1	26106-080122	BOLT M 8X 12 PLATED	16							
6	1	977770-01212	GASKET, LIQUID	1							1
7	1	129100-01580	PARALLEL PIN 8X16	2							
8	1	129960-01640	CASE ASSY,OIL SEAL	1							
8-1	1	129960-01690	CASE ASSY, OIL SEAL	1							N
(A=EZZZZZ)											
10	2	124411-01780	SEAL HTC95,115,12	1							
11	1	129486-01670	BOLT M8X30,COLLAR HD	6							



Remarks  
(1) OPTIONAL PART.

(A)=4TNE98-NMH

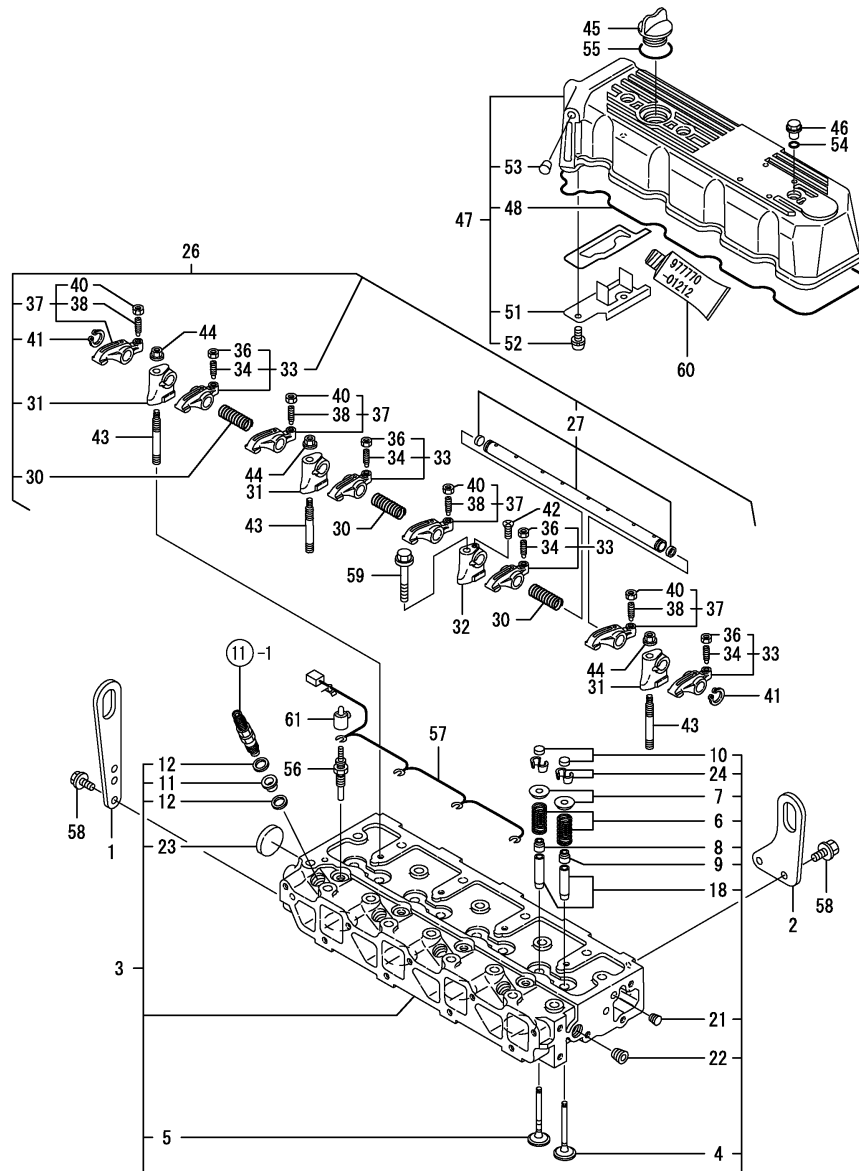
(B)=

(C)=

(D)=

(E)=

(F)=



REF.	LEV.	PARTS NO.	DESCRIPTION	Q'TY						I	R
				(A)	(B)	(C)	(D)	(E)	(F)		
1	1	129900-07900	LIFTER, ENGINE	1							
2	1	129910-07910	LIFTER, ENGINE	1							
3	1	129903-11700	HEAD ASSY,CYLINDER	1							
4	2	129900-11100	VALVE, SUCTION	4							
5	2	129900-11110	VALVE, EXHAUST	4							
6	2	129900-11120	SPRING, VALVE	8							
7	2	129795-11180	RETAINER, SPRING	8							
8	2	121400-11340	SEAL, VALVE STEM	4							
9	2	124460-11340	SEAL, VALVE STEM	4							
10	2	129150-11370	CAP, VALVE	8							
11	2	129901-11450	PROTECTOR, NOZZLE	4							
12	2	119600-11460	GASKET, NOZZLE	8							
18	2	129150-11810	GUIDE, VALVE	8							1
21	2	23871-005000	PLUG PT 1/16	1							
22	2	23876-030000	PLUG PT3/8,SCREW	1							
23	2	27241-400000	PLUG 40	1							
24	2	27310-080001	COTTER 8	8							
26	1	129900-11200	SUPPORT ASY,ROCK.ARM	1							
27	2	129900-11240	SHAFT ASSY,ROCK. ARM	1							
30	2	129900-11280	SPRING	3							
31	2	129900-11510	SUPPORT	3							
32	2	129900-11520	SUPPORT	1							
33	2	129900-11650	ARM KIT, SUC. ROCKER	4							
34	3	129150-11230	SCREW, VALVE	4							
36	3	129150-11750	NUT M8XP1.0	4							
37	2	129900-11660	ARM KIT, EXH. ROCKER	4							
38	3	129150-11230	SCREW, VALVE	4							
40	3	129150-11750	NUT M8XP1.0	4							
41	2	22242-000180	CIRCLIP 18	2							
42	2	26577-040162	SCREW M 4X 16	1							
43	1	129900-11530	STUD BOLT	3							
44	1	26306-100002	NUT	3							
45	1	124160-01751	COVER,FILLER	1							
46	1	124160-11360	KNOB	3							
47	1	129900-11370	BONNET ASSY	1							
48	2	129900-11310	GASKET, BONNET	1							
51	2	129900-11600	PLATE	1							
52	2	22857-500100	SCREW 5X10,TAPPING	2							
53	2	27225-080080	PLUG 8X 8	1							
54	1	24311-000120	O-RING 1A P 12.0	3							
55	1	24311-000320	O-RING 1A P-32.0	1							
56	1	119717-77800	PLUG, GLOW	4							
57	1	129931-77820	CONNECTOR, GLOW PLUG	1							
58	1	26106-080162	BOLT M 8X 16 PLATED	4							
59	1	26106-100652	BOLT M10X 65 PLATED	1							
60	1	977770-01212	GASKET, LIQUID	1							2
61	1	119326-77820	COVER, GLOW PLUG	4							

Remarks

(1) REPAIR PART.

(2) OPTIONAL PART.



(A)=4TNE98-NMH

(B)=

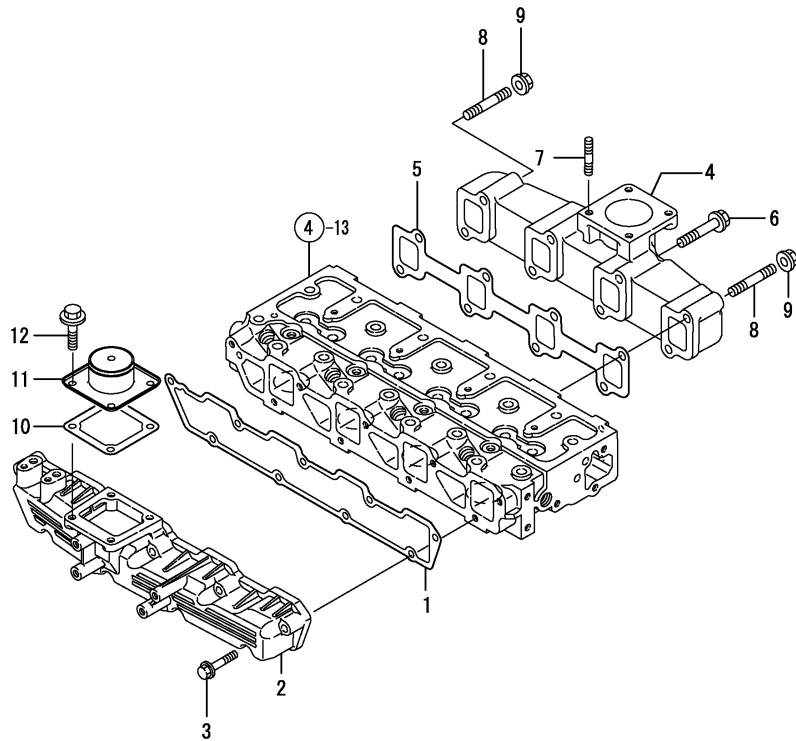
(C)=

(D)=

(E)=

(F)=

REF.	LEV.	PARTS NO.	DESCRIPTION	QTY						I	R
				(A)	(B)	(C)	(D)	(E)	(F)		
1	1	129900-12050	GASKET, SUC.MANIFOLD	1							
2	1	129900-12100	MANIFOLD,INT	1							
3	1	26106-080452	BOLT M 8X 45 PLATED	9							
4	1	129900-13200	MANIFOLD, EXHAUST	1							
5	1	129900-13251	GASKET	1							
6	1	123900-13630	BOLT 8X80	6							
7	1	119131-18320	BOLT M 8X 22	4							
8	1	123900-13610	STUD BOLT M 8X 80	2							
9	1	26306-080002	NUT	2							
10	1	121850-77021	GASKET, (NON-ASB.)	1							
11	1	121850-77100	JOINT	1							
12	1	26106-080142	BOLT 8X 14 PLATED	4							



(A)=4TNE98-NMH

(B)=

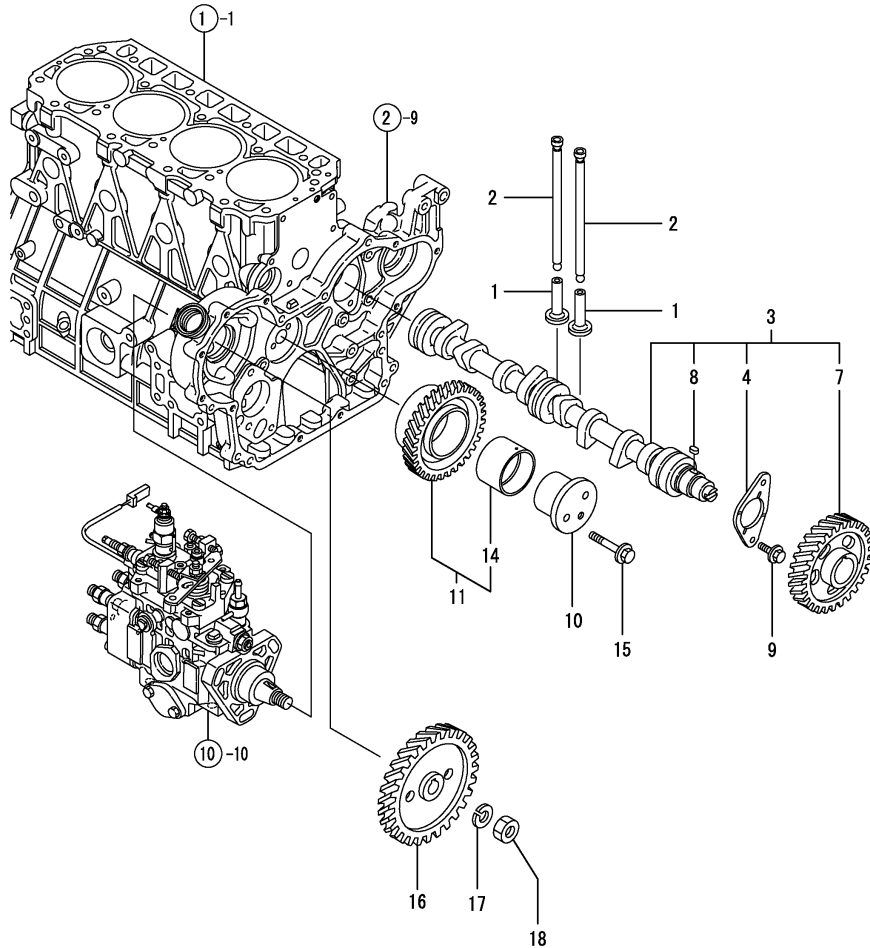
(C)=

(D)=

(E)=

(F)=

REF.	LEV.	PARTS NO.	DESCRIPTION	QTY						I	R
				(A)	(B)	(C)	(D)	(E)	(F)		
1	1	129150-14200	TAPPET	8							
2	1	129900-14400	ROD, PUSH	8							
3	1	129900-14580	CAMSHAFT ASSY	1							
4	2	129150-02450	METAL,THRUST(CAM	1							
7	2	129900-14100	GEAR, CAMSHAFT	1							
8	2	22512-070140	KEY 7X 14	1							
9	1	26106-080162	BOLT M 8X 16 PLATED	2							
10	1	129900-25060	SHAFT, IDLER	1							
11	1	129900-25100	GEAR ASSY, IDLE	1							
14	2	129150-25920	BUSH, IDLE GEAR	1							1
15	1	26106-080552	BOLT M 8X 55 PLATED	2							
16	1	129901-25900	GEAR, FI-P	1							
17	1	22217-140000	SPRING WASHER 14	1							
18	1	26776-140002	LOCK NUT M14 PLATED	1							



Remarks  
(1) REPAIR PART.

N:Old  $\xrightarrow{\text{Yes}}$  New, Q:Old  $\xrightarrow{\text{No}}$  New, R:Old  $\xrightarrow{\text{Yes}}$  New, S:Old  $\xrightarrow{\text{No}}$  New, W:Add, Z:Discontinued, F:Interchangeable by set, K:Q'ty Change

(C)Copy Rights YANMAR CO.,LTD.

(A)=4TNE98-NMH

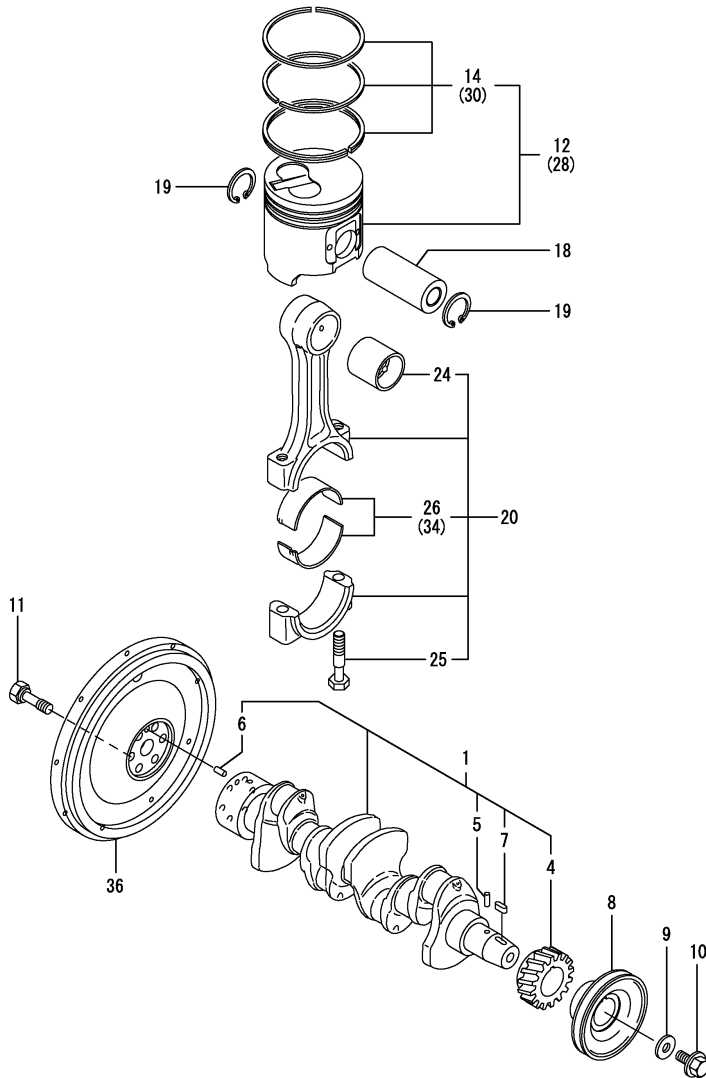
(B)=

(C)=

(D)=

(E)=

(F)=



REF.	LEV.	PARTS NO.	DESCRIPTION	QTY						I	R
				(A)	(B)	(C)	(D)	(E)	(F)		
1	1	129902-21000	CRANKSHAFT COMP	1							
4	2	129900-21200	GEAR, CRANKSHAFT	1							
5	2	121850-21290	PARALLEL PIN	1							
6	2	121850-21920	PARALLEL PIN 10X22	1							
7	2	22512-070140	KEY 7X 14	1							
8	1	129900-21660	V-PULLEY	1							
9	1	129900-21640	WASHER	1							
10	1	121850-21680	BOLT, V-PULLEY	1							
11	1	121850-21130	BOLT, FLYWHEEL	6							
12	1	129903-22120	PISTON ASSY	4							
14	2	129903-22050	RING SET	4							
18	1	120130-22301	PIN, PISTON	4							
19	1	22252-000300	CIRCLIP 30	8							
20	1	129900-23001	ROD ASSY, CONNECTING	4							
24	2	129900-23911	BUSH, PISTON PIN	4							1
25	2	129900-23200	BOLT, ROD	8							
26	2	129900-23600	METAL ASSY, CRANKPIN	4							
28	1	129903-22940	PISTON W/RING OS=.25	4							2
30	2	129903-22950	RING SET O.S=0.25	4							2
34	1	129900-23610	BEARING,PIN U.S=0.25	4							3
36	1	129919-21450	FLYWHEEL(DUMMY	1							

Remarks

- (1) REPAIR PART.
- (2) OVER-SIZE(O.S=0.25)PART.
- (3) UNDER-SIZE(U.S=0.25)PART.

N:Old  $\xrightarrow{\text{Yes}}$  New, Q:Old  $\xrightarrow{\text{No}}$  New, R:Old  $\xrightarrow{\text{Yes}}$  New, S:Old  $\xrightarrow{\text{No}}$  New, W:Add, Z:Discontinued, F:Interchangeable by set, K:Q'ty Change

(A)=4TNE98-NMH

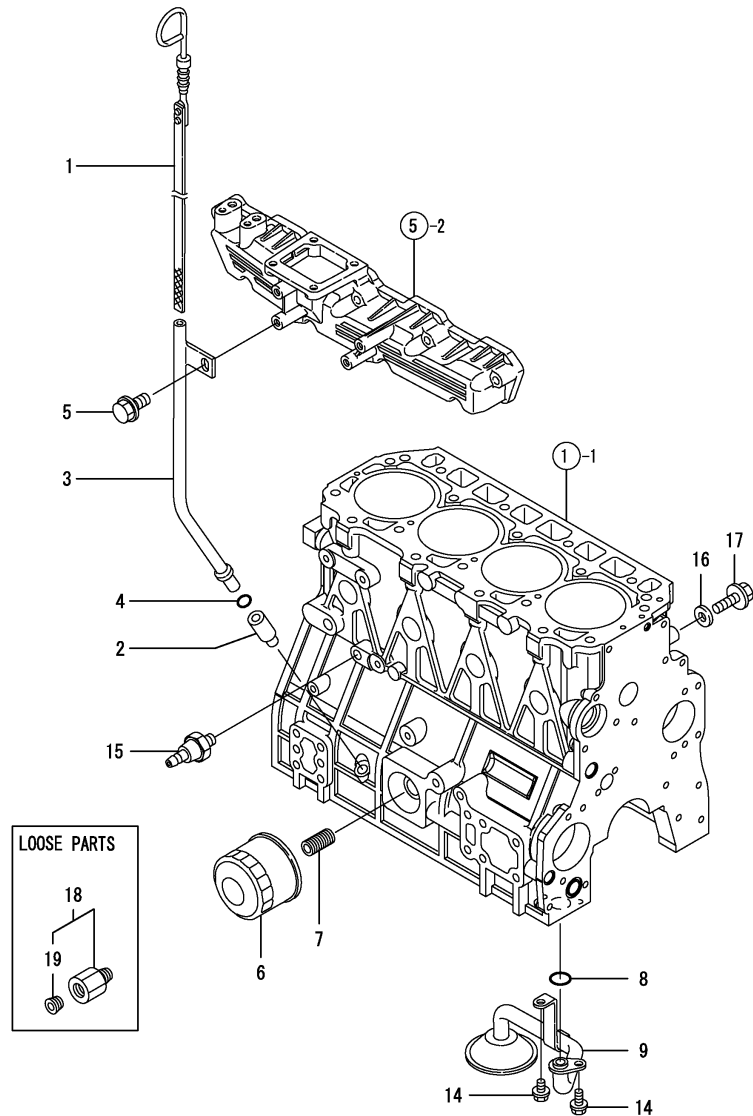
(B)=

(C)=

(D)=

(E)=

(F)=



REF.	LEV.	PARTS NO.	DESCRIPTION	QTY						I	R
				(A)	(B)	(C)	(D)	(E)	(F)		
1	1	129930-34800	DIPSTICK	1							
2	1	119260-34810	GUIDE, DIPSTICK	1							
3	1	129930-34810	GUIDE, DIPSTICK	1							
4	1	24311-240100	O-RING 1A P-10A	1							
5	1	26106-080162	BOLT M 8X 16 PLATED	1							
6	1	129150-35153	FILTER 80X80L	1							1
7	1	119000-35140	STUD, LUB.OIL FILTER	1							
8	1	129900-32030	O-RING P20	1							
9	1	129900-35000	PIPE ASSY, LUB. OIL	1							
14	1	26106-080122	BOLT M 8X 12 PLATED	2							
15	1	114250-39450	SWITCH,(0.5KG)L.O.	1							
16	1	22190-080002	SEAL WASHER 8S	1							
17	1	26106-080122	BOLT M 8X 12 PLATED	1							
18	1	119285-39600	PLUG	1							
19	2	119285-01731	PLUG NPT1/8	1							

Remarks  
(1) REPAIR PART.

N:Old  $\xrightarrow{\text{Yes}}$  New, Q:Old  $\xrightarrow{\text{No}}$  New, R:Old  $\xrightarrow{\text{Yes}}$  New, S:Old  $\xrightarrow{\text{No}}$  New, W:Add, Z:Discontinued, F:Interchangeable by set, K:Q'ty Change

(A)=4TNE98-NMH

(B)=

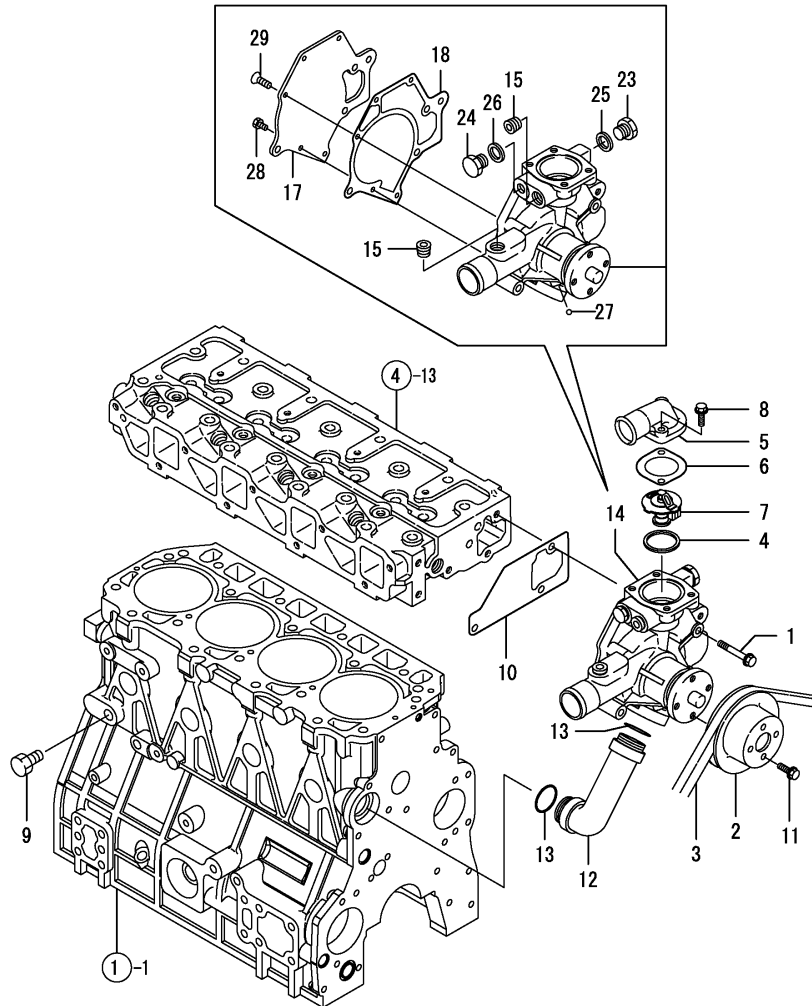
(C)=

(D)=

(E)=

(F)=

REF.	LEV.	PARTS NO.	DESCRIPTION	QTY						I	R
				(A)	(B)	(C)	(D)	(E)	(F)		
1	1	26106-080552	BOLT M 8X 55 PLATED	3							
2	1	129917-42370	V-PULLEY, C.W.PUMP	1							
3	1	25132-004500	V-BELT A:45 INCH	1							
4	1	121850-49550	GASKET, THERMOSTAT	1							
5	1	129900-49551	COVER, THERMOSTAT	1							
6	1	129900-49560	GASKET, (NON-ASB.)	1							
7	1	121850-49810	THERMOSTAT	1							
8	1	26106-080252	BOLT M 8X 25 PLATED	2							
9	1	171056-49120	PLUG, DRAIN	1							
10	1	129900-42061	GASKET, C.W.PUMP	1							
11	1	26106-080122	BOLT M 8X 12 PLATED	4							
12	1	129900-42070	PIPE, C.WATER PUMP	1							
13	1	129900-42140	O-RING P36	2							
14	1	129919-42010	PUMP ASSY, WATER	1							
15	2	124085-11691	PLUG NPT3/8	2							
17	2	129900-42161	COVER	1							
18	2	129900-42170	GASKET	1							
23	2	121450-42450	PLUG M16	1							
24	2	129054-42450	PLUG, M12X1.5	1							
25	2	124465-44950	GASKET 16	1							
26	2	23414-120000	GASKET 12, ROUND	1							
27	2	24190-080001	BALL 1/4, STEEL	1							
28	2	26116-060162	BOLT 6X16	2							
29	2	26577-060152	SCREW M 6X 15	3							



(A)=4TNE98-NMH

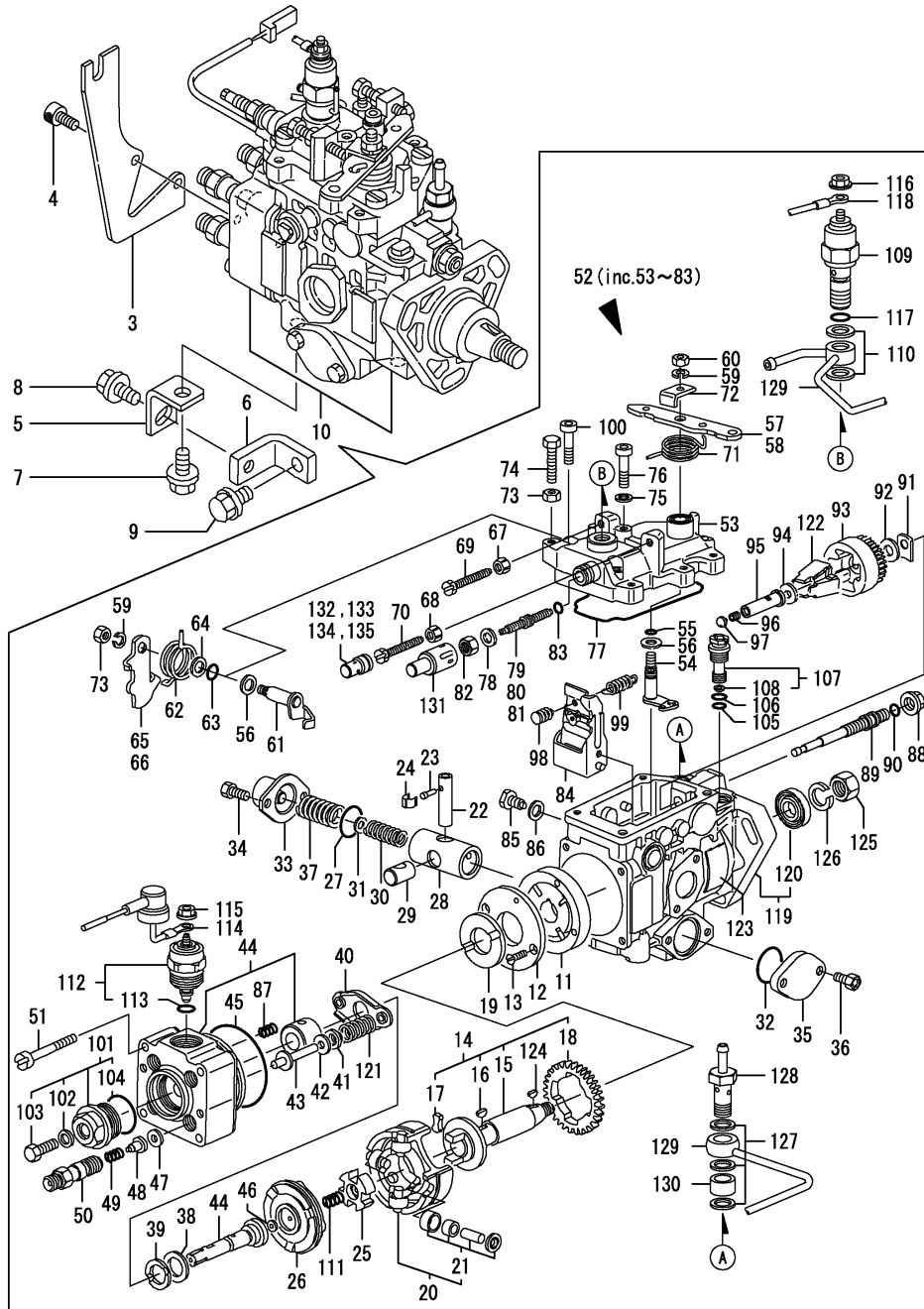
(B)=

(C)=

(D)=

(E)=

(F)=



REF.	LEV.	PARTS NO.	DESCRIPTION	Q'TY						I	R
				(A)	(B)	(C)	(D)	(E)	(F)		
3	1	129930-67010	BRACKET, AXEL WIRE	1							
4	1	26450-060252	BOLT M 6X 25	2							
5	1	129904-01950	RETAINER	1							
6	1	129901-01960	STAY, BRACKET	1							
7	1	26106-100142	BOLT M10X 14 PLATED	1							
8	1	26106-100162	BOLT M10X 16 PLATED	1							
9	1	26106-100202	BOLT M10X 20 PLATED	1							
10	1	129919-51100	PUMP ASSY, FUEL OIL	1							
11	2	X1461000220	FEED PUMP	1							
12	2	X1461030100	COVER	1							
13	2	X1391040000	SCREW	2							
14	2	X1462000320	DRIVE SHAFT	1							
15	3	X1462000300	DRIVE SHAFT	1							
16	3	X1462010000	KEY	1							
17	3	X1462020100	DAMPER	2							
18	3	X1462030000	GEAR	1							
19	2	X1462040000	WASHER	1							
20	2	X1462105320	ROLLER ASSY	1							
21	3	X1462105820	ROLLER KIT	1							
22	2	X1463030000	PIN	1							
23	2	X1463040000	PIN	1							
24	2	X1463050000	CLIP	1							
25	2	X1462050000	DISK	1							
26	2	X1462206620	CAM DISK	1							
27	2	X1466000800	O RING	1							
28	2	X1463115820	PISTON	1							
29	2	X1463010000	SLIDER	1							
30	2	X1463122200	SPRING	1							
31	2	X0299986840	SHIM SET	1							
32	2	X1466000800	O RING	1							
33	2	X1463104020	COVER	1							
34	2	X1466205000	BOLT	2							
35	2	X1463105100	COVER	1							
36	2	X1466205000	BOLT	2							
37	2	X1463121900	SPRING	1							
38	2	X1462300000	SHIM	1							
39	2	X1462300100	WASHER	1							
40	2	X1462310001	SPRING SEAT	1							
41	2	X1462330000	SPRING SEAT	2							
42	2	X0299980570	SHIM SET	1							
43	2	X1462340500	GUIDE PIN	2							
44	2	X1464013020	HEAD	1							
45	2	X1466000000	O RING	1							
46	2	X0299980300	SHIM SET	1							
47	2	X1464330100	GASKET	4							
48	2	X1464303820	DELIVERY VALVE	4							
49	2	X1464320000	SPRING	4							
50	2	X1464400220	HOLDER	4							
51	2	X1391060100	SCREW	4							
52	2	X1468222020	COVER	1							
53	3	X1468059320	COVER	1							

N:Old  $\frac{Yes}{No}$  New, Q:Old  $\frac{No}{Yes}$  New, R:Old  $\frac{Yes}{Yes}$  New, S:Old  $\frac{No}{No}$  New, W:Add, Z:Discontinued, F:Interchangeable by set, K:Q'ty Change

++ CONTINUE ++

(C)Copy Rights YANMAR CO.,LTD.



(A)=4TNE98-NMH

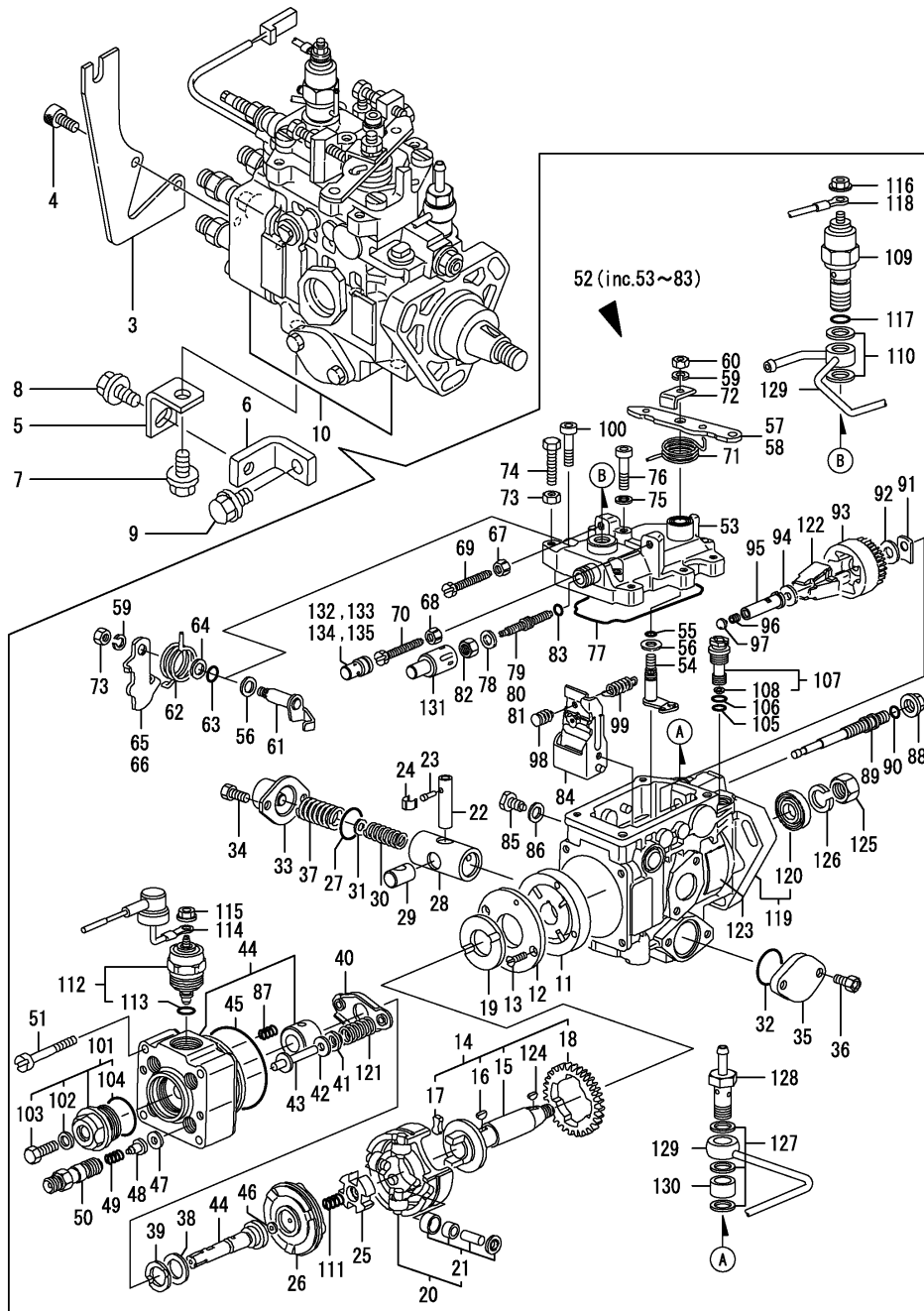
(B)=

(C)=

(D)=

(E)=

(F)=



REF.	LEV.	PARTS NO.	DESCRIPTION	QTY						I	R
				(A)	(B)	(C)	(D)	(E)	(F)		
54	3	X1465150320	CONTROL SHAFT	1							
55	3	X1466000100	O RING	1							
56	3	X1393100200	WASHER	2							
57	3	X1468331500	LEVER	1							
58	3	X1468331600	LEVER	1							
59	3	X0141106440	SPRING WASHER	2							
60	3	X0130206040	NUT	1							
61	3	X1465151820	LEVER SHAFT	1							
62	3	X1465920400	SPRING	1							
63	3	X1466000200	O RING	1							
64	3	X1466020100	WASHER	1							
65	3	X1465404000	LEVER	1							
66	3	X1465404100	LEVER	1							
67	3	X1466211700	NUT	1							
68	3	X1466211700	NUT	1							
69	3	X1465263400	BOLT	1							
70	3	X1465266400	BOLT	1							
71	3	X1465941000	SPRING	1							
72	3	X1465410000	ANGLE	1							
73	3	X0130206040	NUT	2							
74	3	X1390060200	BOLT	1							
75	3	X1393060400	WASHER	2							
76	3	X0102061040	BOLT	2							
77	3	X1466004400	SEAL RING	1							
78	3	X1393080300	WASHER	1							
79	3	X1465453400	LOAD SCREW	1							
80	3	X1465453500	LOAD SCREW	1							
81	3	X1465453600	LOAD SCREW	1							
82	3	X1392080900	NUT	1							
83	3	X1466001200	O RING	1							
84	2	X1468910420	GOVERNOR LEVER	1							
85	2	X1465680000	PIVOT BOLT	2							
86	2	X0265081140	GASKET	2							
87	2	X1465880500	SPRING	2							
88	2	X1465690300	NUT	1							
89	2	X1465700100	GOVERNOR SHAFT	1							
90	2	X1466000400	O RING	1							
91	2	X0299984130	SHIM SET	1							
92	2	X1466020600	WASHER	1							
93	2	X1465720020	HOLDER	1							
94	2	X1466020500	WASHER	1							
95	2	X1469753601	SLEEVE	1							
96	2	X1465760400	CAP	1							
97	2	X0299985870	PLUG SET	1							
98	2	X1465799520	PIN	1							
99	2	X1465803700	SPRING	1							
100	2	X1391060200	SCREW	4							
101	2	X1464211020	PLUG	1							
102	3	X1395080200	GASKET	1							
103	3	X1464220300	BOLT	1							
104	3	X1466000500	O RING	1							

N:Old  $\frac{Yes}{No}$  New, Q:Old  $\frac{No}{Yes}$  New, R:Old  $\frac{Yes}{Yes}$  New, S:Old  $\frac{No}{No}$  New, W:Add, Z:Discontinued, F:Interchangeable by set, K:Q'ty Change

++ CONTINUE ++

(C)Copy Rights YANMAR CO.,LTD.

(A)=4TNE98-NMH

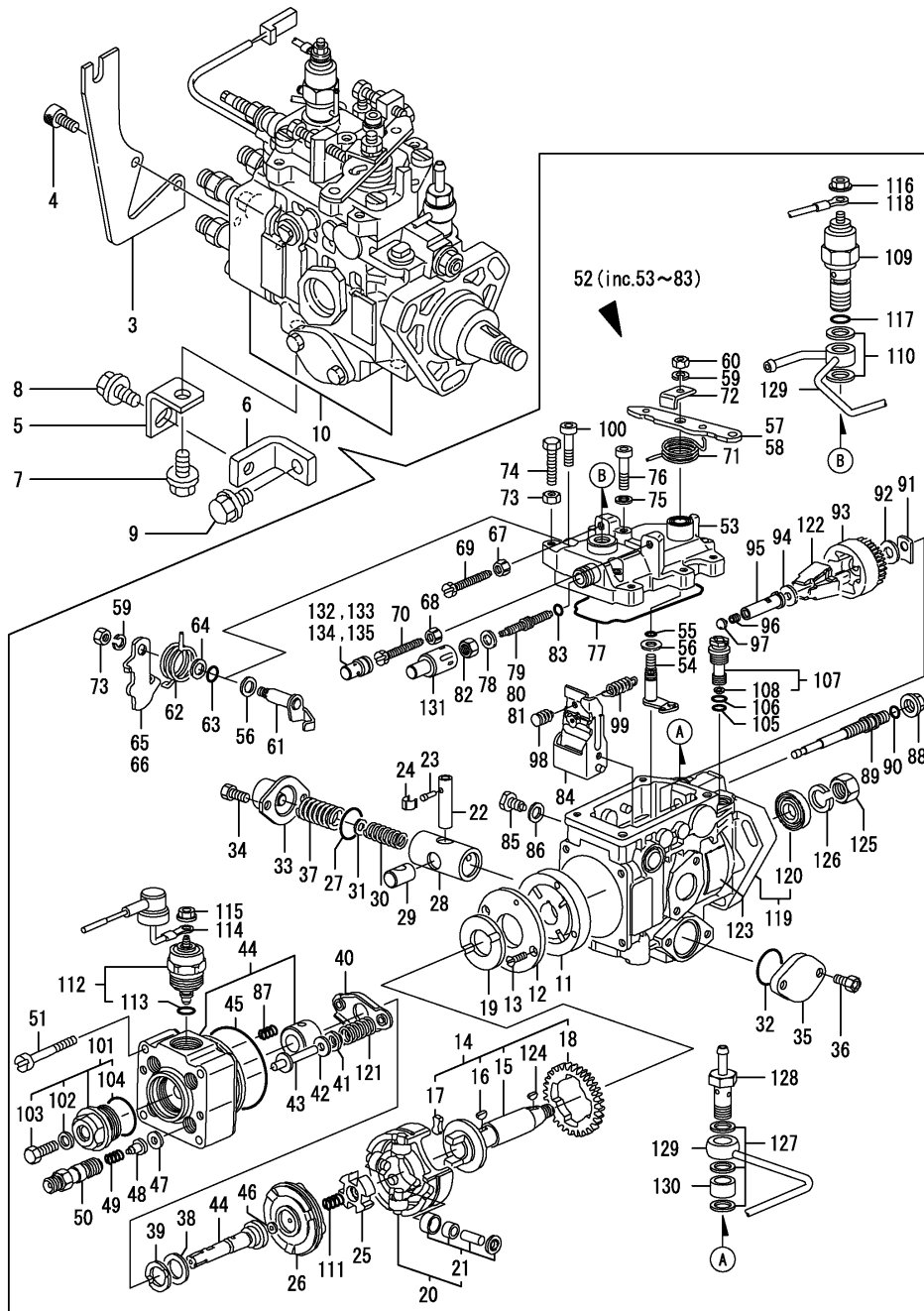
(B)=

(C)=

(D)=

(E)=

(F)=

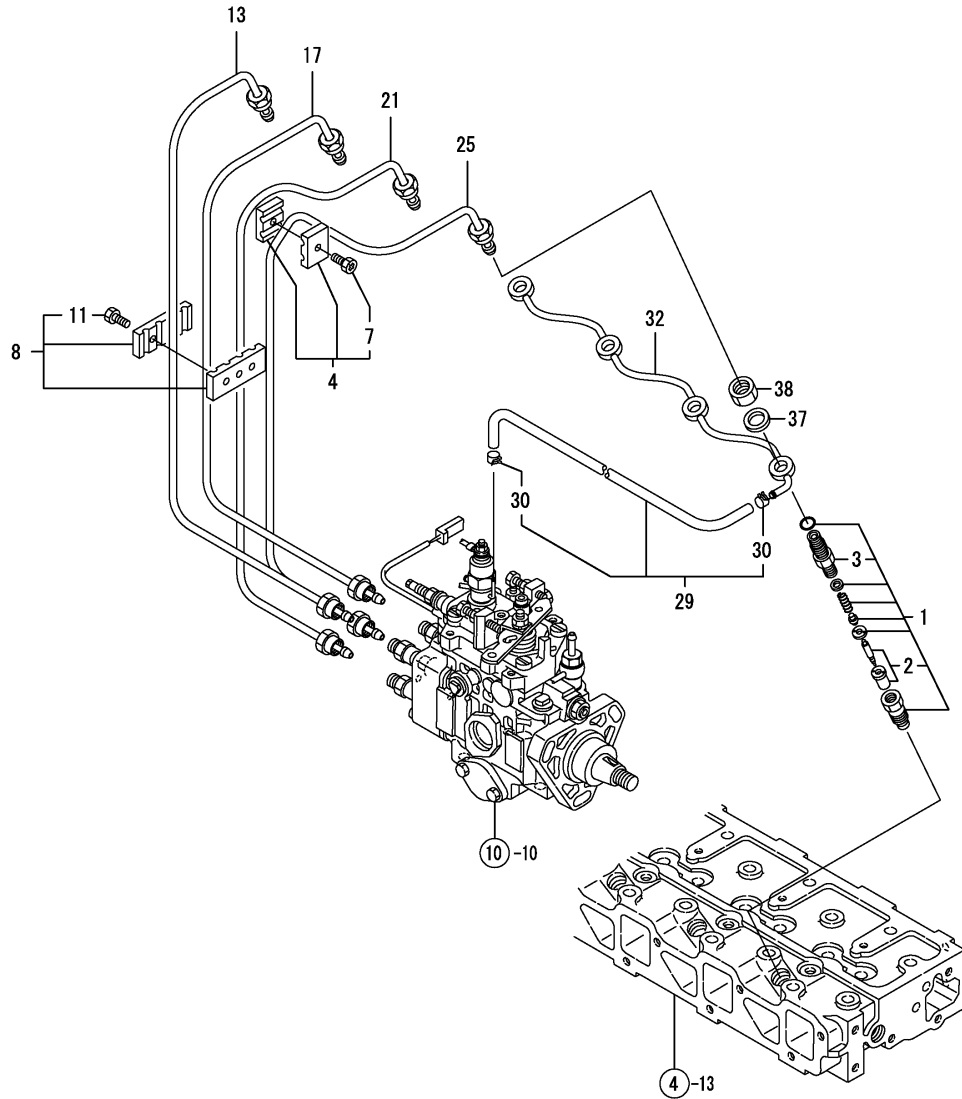


REF.	LEV.	PARTS NO.	DESCRIPTION	QTY						I	R
				(A)	(B)	(C)	(D)	(E)	(F)		
105	2	X1466000600	O RING	1							
106	2	X1466000700	O RING	1							
107	2	X1461100620	VALVE	1							
108	3	X1461140000	SPRING RING	1							
109	2	X1466505520	VALVE	1							
110	2	X1395140200	GASKET	2							
111	2	X1462060100	SPRING	1							
112	2	X1466501220	VALVE	1							
113	3	X1466001700	O RING	1							
114	2	X1466584820	WIRE	1							
115	2	X1466214901	NUT	1							
116	2	X1466214901	NUT	1							
117	2	X1466005000	O RING	1							
118	2	X1466629920	WIRE	1							
119	2	X1460186820	HOUSING	1							
120	3	X1466010700	OIL SEAL	1							
121	2	X1462320320	SPRING	1							
122	2	X1465740320	FLYWEIGHT	1							
123	2	X1469109800	NUMBER PLATE	1							
124	2	X0294704030	WOODRUFF KEY	1							
125	2	X0131214140	NUT	1							
126	2	X0293214050	SPRING WASHER	1							
127	2	X1395120500	GASKET	3							
128	2	X1461251120	BOLT	1							
I 129	2	X1466775320	PIPE	1							Z
		(A=*2005.01.)									
I 129-1	2	X1466778020	PIPE	1							W
		(A=*2005.01.)									
130	2	X1466140200	SPACER	1							
131	2	X1465981000	CAP	1							



(A)=4TNE98-NMH  
(B)=  
(C)=

(D)=  
(E)=  
(F)=

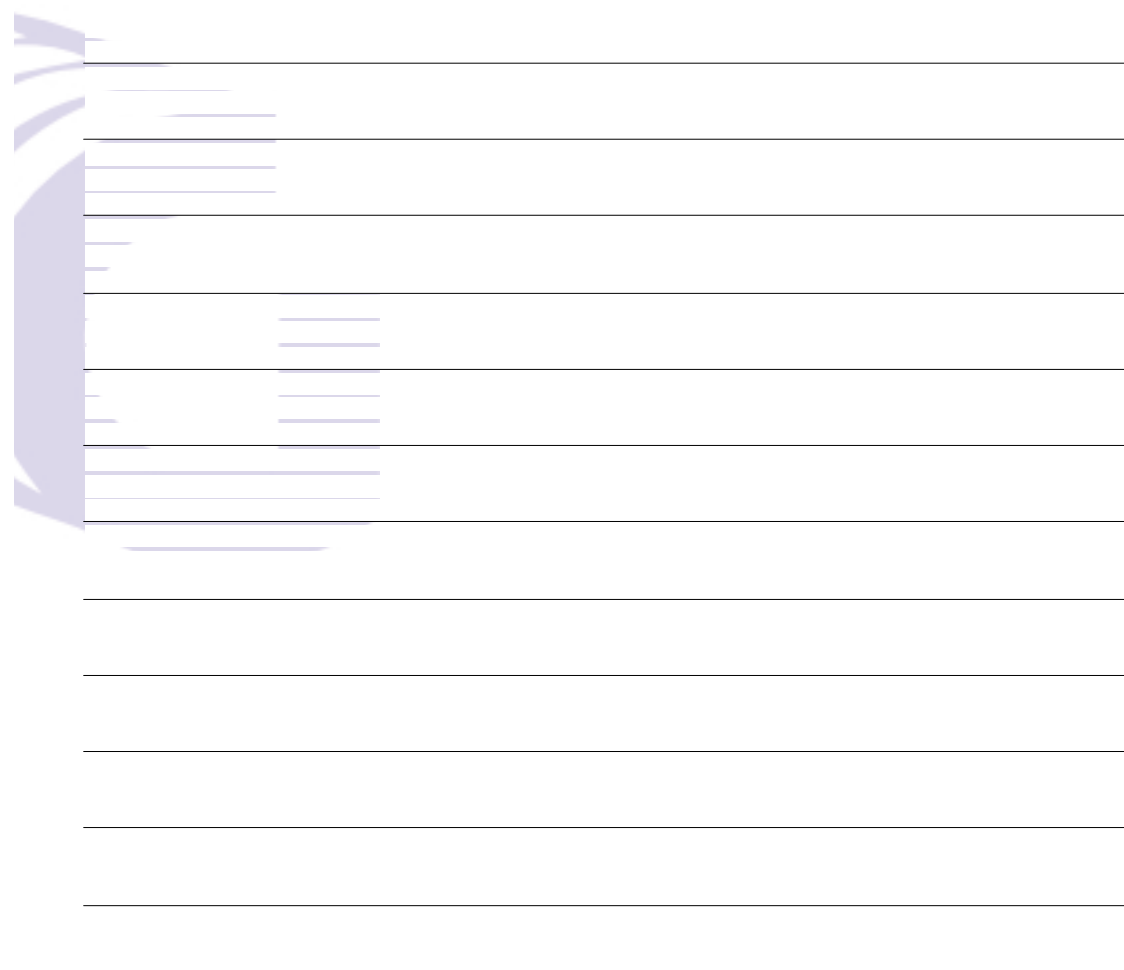
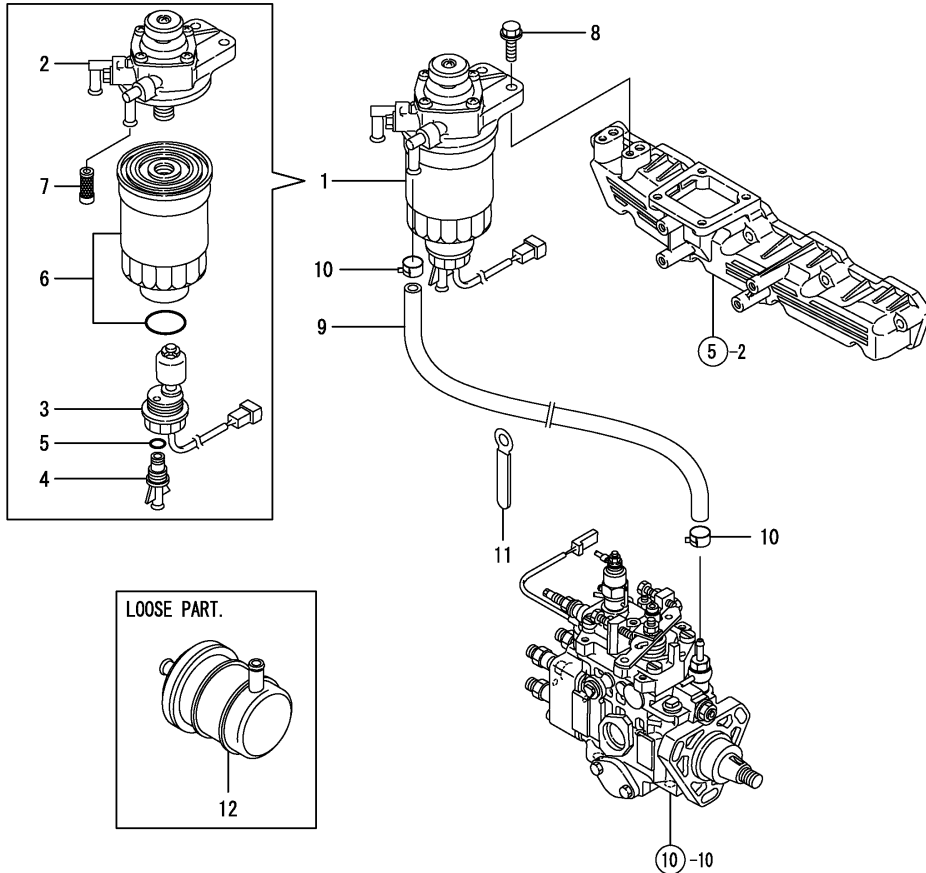


REF.	LEV.	PARTS NO.	DESCRIPTION	QTY						I	R
				(A)	(B)	(C)	(D)	(E)	(F)		
1	1	129931-53000	VALVE ASSY,INJECTION	4							
2	2	119717-53010	NOZZLE ASSY	4							
3	2	129901-53020	RETAINER	4							
4	1	119305-59120	RETAINER	2							
7	2	129150-59131	BOLT M4X14,HEX.SCKT.	2							
8	1	129550-59120	RETAINER	1							
11	2	129150-59131	BOLT M4X14,HEX.SCKT.	2							
13	1	129901-59810	PIPE NO.1, F.INJECT.	1							
17	1	129901-59820	PIPE NO.2, F.INJECT.	1							
21	1	129901-59830	PIPE NO.3, F.INJECT.	1							
25	1	129901-59840	PIPE NO.4, F.INJECT.	1							
29	1	105225-59500	PIPE ASSY,F.O.RETURN	1							
30	2	124066-59100	CLAMP 8	2							
32	1	129901-59510	PIPE, FUEL RETURN	1							
37	1	129901-59560	GASKET, RETURN	4							
38	1	119620-59700	NUT	4							

(A)=4TNE98-NMH  
(B)=  
(C)=

(D)=  
(E)=  
(F)=

REF.	LEV.	PARTS NO.	DESCRIPTION	QTY						I	R
				(A)	(B)	(C)	(D)	(E)	(F)		
1	1	129901-55800	FILTER, FUEL OIL	1							
2	2	129901-55810	BODY, SUB. ASSY	1							
3	2	129901-55820	CENSOR ASSY, LABEL	1							
4	2	129901-55830	PLUG, DRAIN	1							
5	2	129901-55840	O-RING	1							
6	2	129901-55850	ELEMENT KIT	1							
7	2	129901-55860	FILTER	1							
8	1	26106-080252	BOLT M 8X 25 PLATED	2							
9	1	129901-59500	PIPE, FUEL	1							
10	1	23000-013000	CLAMP 13	2							
11	1	105430-67110	CLAMP	2							
12	1	129052-55630	STRAINER, FUEL OIL (IN	1							



(A)=4TNE98-NMH

(B)=

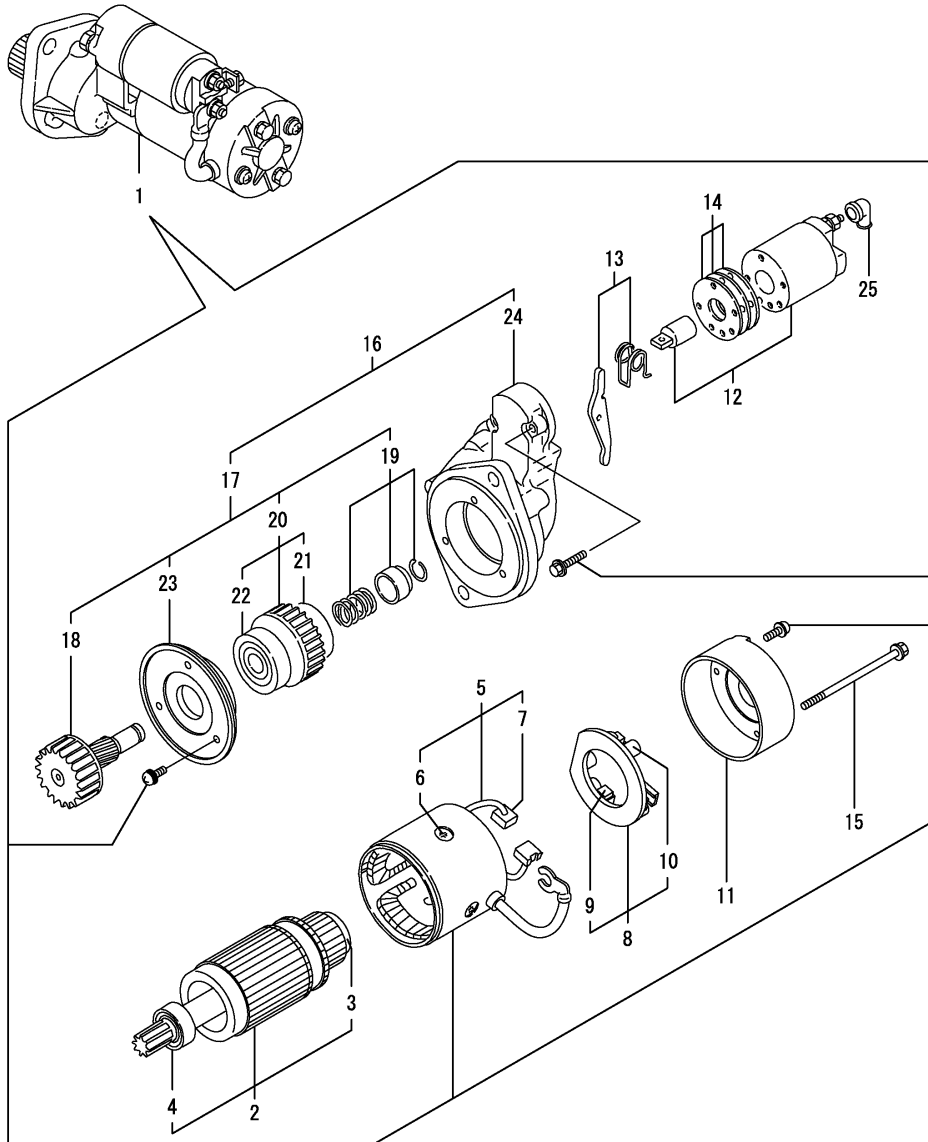
(C)=

(D)=

(E)=

(F)=

REF.	LEV.	PARTS NO.	DESCRIPTION	QTY						I	R
				(A)	(B)	(C)	(D)	(E)	(F)		
1	1	129900-77010	STARTER(2.3KW	1							
2	2	129900-77400	ARMATURE ASSY	1							
3	3	X2114155110	BALL BEARING	1							
4	3	X2114255110	BALL BEARING	1							
5	2	129900-77440	COIL ASSY, FIELD	1							
6	3	171008-77450	SCREW, POLE CORE SET	4							
7	3	129900-77450	BRUSH (+)	2							
8	2	129900-77480	HOLDER ASSY, BRASH	1							
9	3	129900-77450	BRUSH (+)	2							
10	3	X2130631300	BRUSH SPRING	4							
11	2	129900-77460	COVER, REAR	1							
12	2	129900-77591	SWITCH ASSY,MAGNETIC	1							
13	2	129900-77620	SHIFT LEVER SET	1							
14	2	129900-77650	COVER ASSY, DUST	1							
15	2	129900-77640	BOLT, THROUGH	2							
16	2	129900-77700	GEAR CASE ASY	1							
17	3	129900-77510	PINION ASSY	1							
18	4	129900-77540	SHAFT, PINION	1							
19	4	129900-77550	STOPPER SET	1							
20	4	129900-77520	CLUTCH ASSY	1							
21	4	171008-77730	BALL BEARING (3)	1							
22	4	171008-77740	BALL BEARING (4)	1							
23	4	129900-77610	RETAINER, BEARING	1							
24	3	129900-77710	HOUSING, GEARS	1							
25	2	171008-77750	COVER, M TERMINAL	1							



(A)=4TNE98-NMH

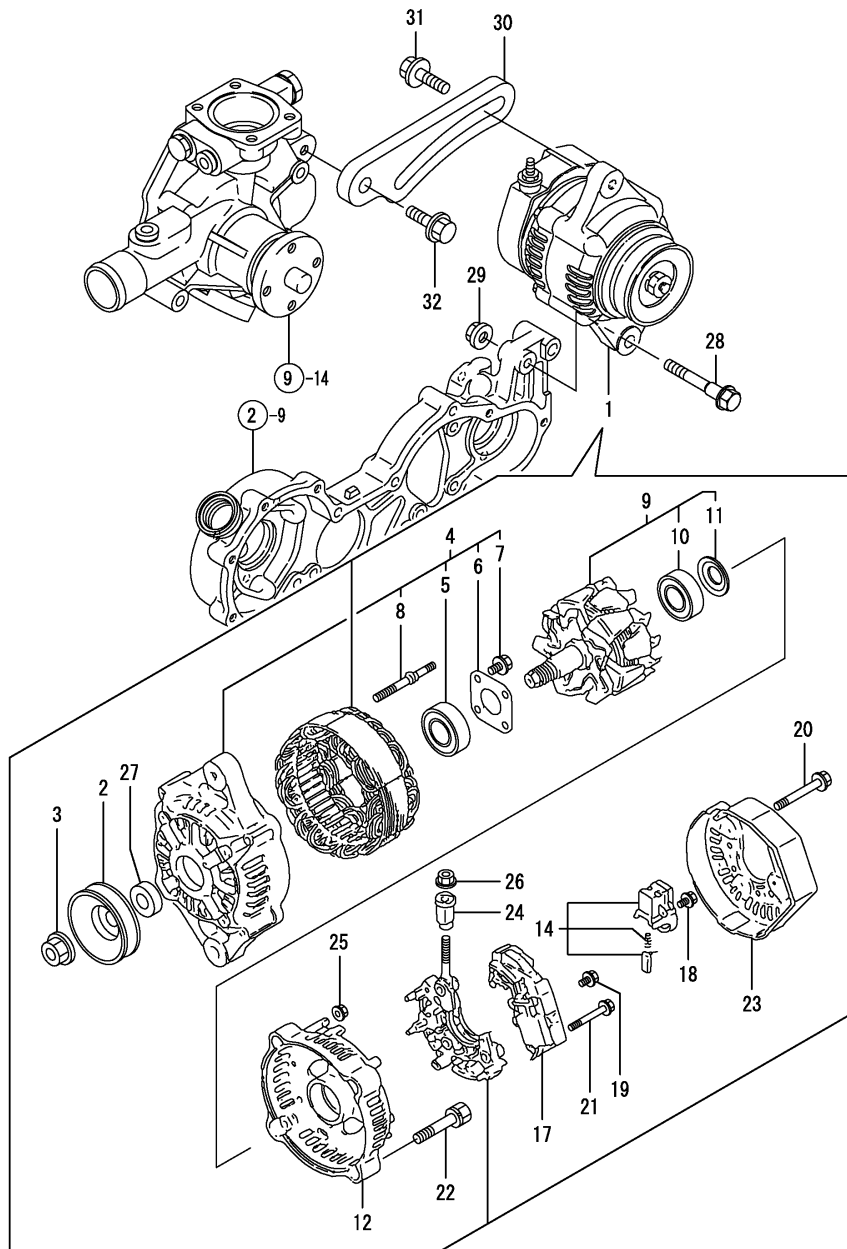
(B)=

(C)=

(D)=

(E)=

(F)=



REF.	LEV.	PARTS NO.	DESCRIPTION	QTY						I	R
				(A)	(B)	(C)	(D)	(E)	(F)		
1	1	119254-77200	GENERATOR, 12V-60A	1							
2	2	119620-77461	PULLEY	1							
3	2	119620-77471	NUT	1							
4	2	119254-77421	FRAME ASSY	1							
5	3	119620-79200	BALL BEARING	1							
6	3	119620-79210	PLATE	1							
7	3	119620-79220	SCREW	4							
8	3	119620-79230	BOLT, STUD	2							
9	2	129052-77380	ROTATOR ASSY	1							
10	3	123501-79240	BEARING, BALL	1							
11	3	119620-79250	COVER, BEARING	1							
12	2	128401-77440	FLAME	1							
14	2	129052-79270	HOLDER, BRUSH	1							
17	2	119620-77710	REGULATOR ASSY	1							
18	2	119620-79290	SCREW	6							
19	2	119620-79300	SCREW	1							
20	2	119620-79310	BOLT	3							
21	2	119620-79320	SCREW W/WASHER	2							
22	2	119620-79330	BOLT	2							
23	2	128401-77450	COVER	1							
24	2	119620-79340	INSULATION BUSH	1							
25	2	119620-79350	NUT	2							
26	2	X9490561001	NUT	1							
27	2	119620-77490	COLLAR	1							
28	1	129960-77250	BOLT,GENERATOR	1							
29	1	129612-77260	NUT ,GENERATOR	1							
30	1	129904-77330	ADJUSTER, BELT	1							
31	1	119810-77340	BOLT	1							
32	1	26014-080252	BOLT M 8X 25	1							

(A)=4TNE98-NMH

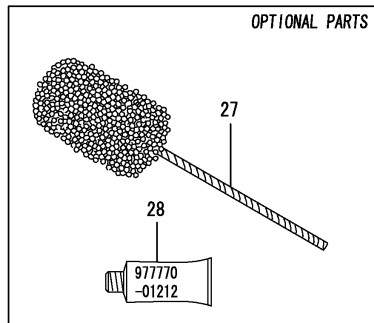
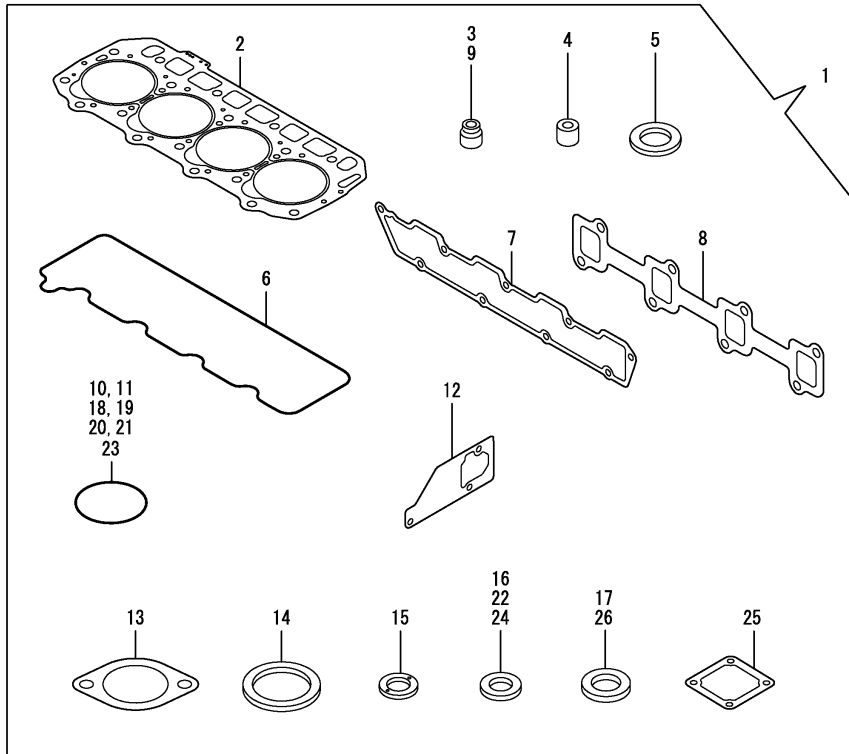
(B)=

(C)=

(D)=

(E)=

(F)=



REF.	LEV.	PARTS NO.	DESCRIPTION	Q'TY						I	R
				(A)	(B)	(C)	(D)	(E)	(F)		
1	1	729903-92690	GASKET SET(NON-ASB.)	1							1
2	2	129903-01350	GASKET, HEAD	1							
3	2	124460-11340	SEAL, VALVE STEM	4							
4	2	129901-11450	PROTECTOR, NOZZLE	4							
5	2	119600-11460	GASKET, NOZZLE	8							
6	2	129900-11310	GASKET, BONNET	1							
7	2	129900-12050	GASKET, SUC.MANIFOLD	1							
8	2	129900-13251	GASKET	1							
9	2	121400-11340	SEAL, VALVE STEM	4							
10	2	129900-32030	O-RING P20	2							
11	2	129900-32040	O-RING P14	1							
12	2	129900-42061	GASKET, C.W.PUMP	1							
13	2	129900-49560	GASKET, (NON-ASB.)	1							
14	2	121850-49550	GASKET, THERMOSTAT	1							
15	2	129901-59560	GASKET, RETURN	4							
16	2	22190-120002	SEAL WASHER 12	1							
17	2	124465-44950	GASKET 16	1							
18	2	24311-240100	O-RING 1A P-10A	1							
19	2	24311-000120	O-RING 1A P 12.0	3							
20	2	24311-000320	O-RING 1A P-32.0	2							
21	2	24341-000500	O-RING 1A S-50.0	1							
22	2	22190-080002	SEAL WASHER 8S	1							
23	2	129900-42140	O-RING P36	2							
24	2	22190-220002	SEAL WASHER 22S	1							
25	2	121850-77021	GASKET, (NON-ASB.)	1							
26	2	23414-120000	GASKET 12, ROUND	1							
27	1	129400-92450	FLEX HONE	1							1
28	1	977770-01212	GASKET, LIQUID	1							1

Remarks  
(1) OPTIONAL PART.

## Part Number Index

All parts are stipulated in the order of part numbers.

(Depending on the area in which the part is used.)

This index will display the location of the part according to each part number.

## PARTS No. INDEX

PARTS No.	Fig.	Ref.No.
105225-59500	11	29
105430-67110	12	11
114250-39450	8	15
119000-35140	8	7
119131-18320	5	7
119254-77200	14	1
119254-77421	14	4
119260-34810	8	2
119285-01731	8	19
119285-39600	8	18
119305-59120	11	4
119326-77820	4	61
119600-11460	4	12
	15	5
119620-59700	11	38
119620-77461	14	2
119620-77471	14	3
119620-77490	14	27
119620-77710	14	17
119620-79200	14	5
119620-79210	14	6
119620-79220	14	7
119620-79230	14	8
119620-79250	14	11
119620-79290	14	18
119620-79300	14	19
119620-79310	14	20
119620-79320	14	21
119620-79330	14	22
119620-79340	14	24
119620-79350	14	25
119640-01640	3	2
119717-53010	11	2
119717-77800	4	56
119810-77340	14	31
120130-22301	7	18
121400-11340	4	8
	15	9
121450-42450	9	23
121850-21130	7	11
121850-21290	7	5
121850-21680	7	10
121850-21920	7	6
121850-49550	9	4
	15	14
121850-49810	9	7
121850-77021	5	10
	15	25
121850-77100	5	11
123501-79240	14	10

PARTS No.	Fig.	Ref.No.
123900-13610	5	8
123900-13630	5	6
124066-59100	11	30
124085-11691	9	15
124160-01751	2	6
	4	45
124160-11360	4	46
124411-01780	3	10
124460-11340	4	9
	15	3
124465-44950	9	25
	15	17
128401-77440	14	12
128401-77450	14	23
129001-91810	2	31
		32
129052-55630	12	12
129052-77380	14	9
129052-79270	14	14
129054-42450	9	24
129100-01580	1	41
	2	24
	3	7
129150-02450	6	4
129150-11230	4	34
		38
129150-11370	4	10
129150-11750	4	36
		40
129150-11810	4	18
129150-14200	6	1
129150-25920	6	14
129150-35153	8	6
129150-59131	11	7
		11
129400-92450	15	27
129486-01670	3	11
129550-59120	11	8
129612-77260	14	29
129795-11180	4	7
129900-01200	1	33
129900-01250	1	15
129900-01780	2	3
129900-02020	1	7
129900-02340	1	35
129900-02410	1	10
129900-02930	1	30
129900-02940	1	38
129900-07900	4	1
129900-11100	4	4

PARTS No.	Fig.	Ref.No.
129900-11110	4	5
129900-11120	4	6
129900-11200	4	26
129900-11240	4	27
129900-11280	4	30
129900-11310	4	48
	15	6
129900-11370	4	47
129900-11510	4	31
129900-11520	4	32
129900-11530	4	43
129900-11600	4	51
129900-11650	4	33
129900-11660	4	37
129900-12050	5	1
	15	7
129900-12100	5	2
129900-13200	5	4
129900-13251	5	5
	15	8
129900-14100	6	7
129900-14400	6	2
129900-14580	6	3
129900-21200	7	4
129900-21640	7	9
129900-21660	7	8
129900-23001	7	20
129900-23200	7	25
129900-23600	7	26
129900-23610	7	34
129900-23911	7	24
129900-25060	6	10
129900-25100	6	11
129900-32001	2	10
129900-32030	2	22
	8	8
	15	10
129900-32040	2	23
	15	11
129900-35000	8	9
129900-42061	9	10
	15	12
129900-42070	9	12
129900-42140	9	13
	15	23
129900-42161	9	17
129900-42170	9	18
129900-49551	9	5
129900-49560	9	6
	15	13

PARTS No.	Fig.	Ref.No.
129900-77010	13	1
129900-77400	13	2
129900-77440	13	5
129900-77450	13	7
		9
129900-77460	13	11
129900-77480	13	8
129900-77510	13	17
129900-77520	13	20
129900-77540	13	18
129900-77550	13	19
129900-77591	13	12
129900-77610	13	23
129900-77620	13	13
129900-77640	13	15
129900-77650	13	14
129900-77700	13	16
129900-77710	13	24
129901-01520	2	9
129901-01960	10	6
129901-11450	4	11
	15	4
129901-25900	6	16
129901-53020	11	3
129901-55800	12	1
129901-55810	12	2
129901-55820	12	3
129901-55830	12	4
129901-55840	12	5
129901-55850	12	6
129901-55860	12	7
129901-59500	12	9
129901-59510	11	32
129901-59560	11	37
	15	15
129901-59810	11	13
129901-59820	11	17
129901-59830	11	21
129901-59840	11	25
129902-01710	3	1
129902-21000	7	1
129903-01350	1	34
	15	2
129903-11700	4	3
129903-22050	7	14
129903-22120	7	12
129903-22940	7	28
129903-22950	7	30
129904-01950	10	5
129904-77330	14	30

## PARTS No. INDEX

PARTS No.	Fig.	Ref.No.
129910-07910	4	2
129917-42370	9	2
129919-21450	7	36
129919-42010	9	14
129919-51100	10	10
129930-34800	8	1
129930-34810	8	3
129930-67010	10	3
129931-53000	11	1
129931-77820	4	57
129951-01740	2	4
129960-01640	3	8
129960-01690	3	8 -1
129960-77250	14	28
171008-77450	13	6
171008-77730	13	21
171008-77740	13	22
171008-77750	13	25
171051-01921	1	6
171056-49120	9	9
729900-01500	2	1
729900-02800	1	27
729903-01560	1	1
729903-92690	15	1
977770-01212	2	34
	3	6
	4	60
	15	28
X0102061040	10	76
X0130206040	10	60
		73
X0131214140	10	125
X0141106440	10	59
X0265081140	10	86
X0293214050	10	126
X0294704030	10	124
X0299980300	10	46
X0299980570	10	42
X0299984130	10	91
X0299985870	10	97
X0299986840	10	31
X1390060200	10	74
X1391040000	10	13
X1391060100	10	51
X1391060200	10	100
X1392080900	10	82
X1393060400	10	75
X1393080300	10	78
X1393100200	10	56
X1395080200	10	102

PARTS No.	Fig.	Ref.No.
X1395120500	10	127
X1395140200	10	110
X1460186820	10	119
X1461000220	10	11
X1461030100	10	12
X1461100620	10	107
X1461140000	10	108
X1461251120	10	128
X1462000300	10	15
X1462000320	10	14
X1462010000	10	16
X1462020100	10	17
X1462030000	10	18
X1462040000	10	19
X1462050000	10	25
X1462060100	10	111
X1462105320	10	20
X1462105820	10	21
X1462206620	10	26
X1462300000	10	38
X1462300100	10	39
X1462310001	10	40
X1462320320	10	121
X1462330000	10	41
X1462340500	10	43
X1463010000	10	29
X1463030000	10	22
X1463040000	10	23
X1463050000	10	24
X1463104020	10	33
X1463105100	10	35
X1463115820	10	28
X1463121900	10	37
X1463122200	10	30
X1464013020	10	44
X1464211020	10	101
X1464220300	10	103
X1464303820	10	48
X1464320000	10	49
X1464330100	10	47
X1464400220	10	50
X1465150320	10	54
X1465151820	10	61
X1465263400	10	69
X1465266400	10	70
X1465404000	10	65
X1465404100	10	66
X1465410000	10	72
X1465453400	10	79
X1465453500	10	80

PARTS No.	Fig.	Ref.No.
X1465453600	10	81
X1465680000	10	85
X1465690300	10	88
X1465700100	10	89
X1465720020	10	93
X1465740320	10	122
X1465760400	10	96
X1465799520	10	98
X1465803700	10	99
X1465880500	10	87
X1465920400	10	62
X1465941000	10	71
X1465981000	10	131
X1466000000	10	45
X1466000100	10	55
X1466000200	10	63
X1466000400	10	90
X1466000500	10	104
X1466000600	10	105
X1466000700	10	106
X1466000800	10	27
		32
X1466001200	10	83
X1466001700	10	113
X1466004400	10	77
X1466005000	10	117
X1466010700	10	120
X1466020100	10	64
X1466020500	10	94
X1466020600	10	92
X1466140200	10	130
X1466205000	10	34
		36
X1466211700	10	67
		68
X1466214901	10	115
		116
X1466501220	10	112
X1466505520	10	109
X1466584820	10	114
X1466629920	10	118
X1466775320	10	129
X1466778020	10	129 -1
X1468059320	10	53
X1468222020	10	52
X1468331500	10	57
X1468331600	10	58
X1468910420	10	84
X1469109800	10	123
X1469753601	10	95

PARTS No.	Fig.	Ref.No.
X2114155110	13	3
X2114255110	13	4
X2130631300	13	10
X9490561001	14	26





***YANMAR CO., LTD.***