



PARTS CATALOG



PREFACE

1. This parts catalog is the 1st edition of 4TNE98-URTL for TAILIFT Ltd.

Pub.No. : 000Y00W2400

Published : December, 2007

2. Model name

Engine model	Vehicle	Vehicle made by
4TNE98-URTL	Forklift	TAILIFT Ltd.

Directions for the Parts Catalog.

1. The parts stipulated in this Parts Catalog are not necessarily standard equipped parts.
2. Parts may change without prior notice.
3. The following is an example of the Parts Catalog format.

OCF10-G21601 29. FUEL INJECTION PUMP(W/BOOST)

REF.	LEV.	PARTS NO.	DESCRIPTION	Q'TY						I	R
				(A)	(B)	(C)	(D)	(E)	(F)		
1	1	729595-51390	FUEL INJECTION PUMP	1	1	1	1	1	1		1
1-1	1	729595-51391	FUEL INJECTION PUMP	1	1	1	1	1	1	N	1
		(A=E00185) (B=E00200)									
3	2	26022-060162	SCREW M 6X 16	9	9	9	9	9	9		
3-1	2	26022-060162	SCREW M 6X 16	4	4	4	4	4	4	K	
		(A=E00156) (B=E00156) (C=E00156) (D=E00156) (E=E00156)									
4	2	129470-51040	CAMSHAFT	1	1	1	1	1	1		
5	2	122710-51050	BEARING, ROLLER	2	2	2	2	2	2		
6	2	129470-51060	RETAINER	1	1	1	1	1	1		

Remarks

(1) BOOST COMPEMSATOR TYPE. OPTIONAL PART, TO E00155,(4JH-DT, 4JH-DTZ

① Ref. No.

The Ref. No. listed may not be in accordance with the illustration Ref. No.

(Ex.) Illustration No. 1 List Ref No. 1 (Before change) → 1-1 (After change)

For interchangeable symbols N, R and K, illustrations for new parts may be abbreviated.

② Lev. (Level)

Level indication

The numbers below indicate the level of relativity towards the main part.

1 ---- Main parts (Assembly parts)

2 ---- Sub component included in " 1 ".

3 ---- Sub component included in " 2 ".

Note) Parts that are not for sale are partially illustrated but not listed.

③ Interchangeability Mark

When a part change takes place, one of the following interchangeability symbols is indicated beside the part.

Symbol	Interchangeability	Contents note
N	Old $\begin{matrix} \leftarrow \text{Yes} \\ \text{No} \rightarrow \end{matrix}$ New	New Part is interchangeable for Old Part but Old Part is not interchangeable for New Part.
Q	Old $\begin{matrix} \leftarrow \text{No} \\ \text{Yes} \rightarrow \end{matrix}$ New	New Part is not interchangeable for Old Part but Old Part is interchangeable for New Part.
R	Old $\begin{matrix} \leftarrow \text{Yes} \\ \text{Yes} \rightarrow \end{matrix}$ New	New/ Old Parts are both interchangeable.
S	Old $\begin{matrix} \leftarrow \text{No} \\ \text{No} \rightarrow \end{matrix}$ New	New/ Old Parts are both not interchangeable.
W		Part newly added.
Z		Part discontinued.
F		Not interchangeable by a single part but interchangeable together with related parts.
K		Changes only for used parts quantities.

④ Effective Machine No.

When a part changes, the effective Machine No. will be indicated in the (A)-(F) column.

Product Symbol	Product No.	Product Symbol	Product No.
C	Clutch No. Compressor No.	F	Machine No. (Agricultural Equip.)
D	Drive No.	M	Machine No.
E	Engine No.		

Note 1) A date may follow the symbol. (Ex.) 1996.01

Note 2) " XXXXX " and " ZZZZZ " are for parts that could not be predicted or for engine models that could not be identified.

Note 3) (A=E00185) is the E (Engine Serial Number) for the column (A) model (in this case 4JH-DT) after the parts design change.

⑤ Remarks Mark

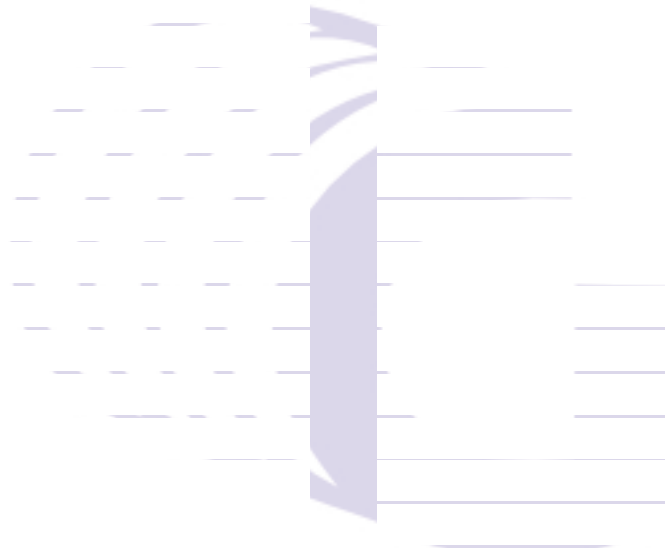
Figures or alphabets (symbols) are entered in the remarks column.

The comments (remarks) on parts that are indicated at the bottom of the illustration are the same symbols as those stated above.

Fig.No. GROUP NAME
4TNE98-URTL

1. CYLINDER BLOCK
2. GEAR HOUSING
3. FLYWHEEL HOUSING & OIL SUMP
4. CYLINDER HEAD & BONNET
5. SUCTION & EXHAUST MANIFOLD
6. CAMSHAFT & DRIVING GEAR
7. CRANKSHAFT & PISTON
8. LUB.OIL SYSTEM
9. COOLING WATER SYSTEM
10. FUEL INJECTION PUMP
11. FUEL INJECTION VALVE
12. FUEL FILTER
13. STARTING MOTOR
16. (13A)STARTING MOTOR
14. GENERATOR
17. (14A)GENERATOR
15. GASKET SET

Fig.No. GROUP NAME



(A)=4TNE98-URTL

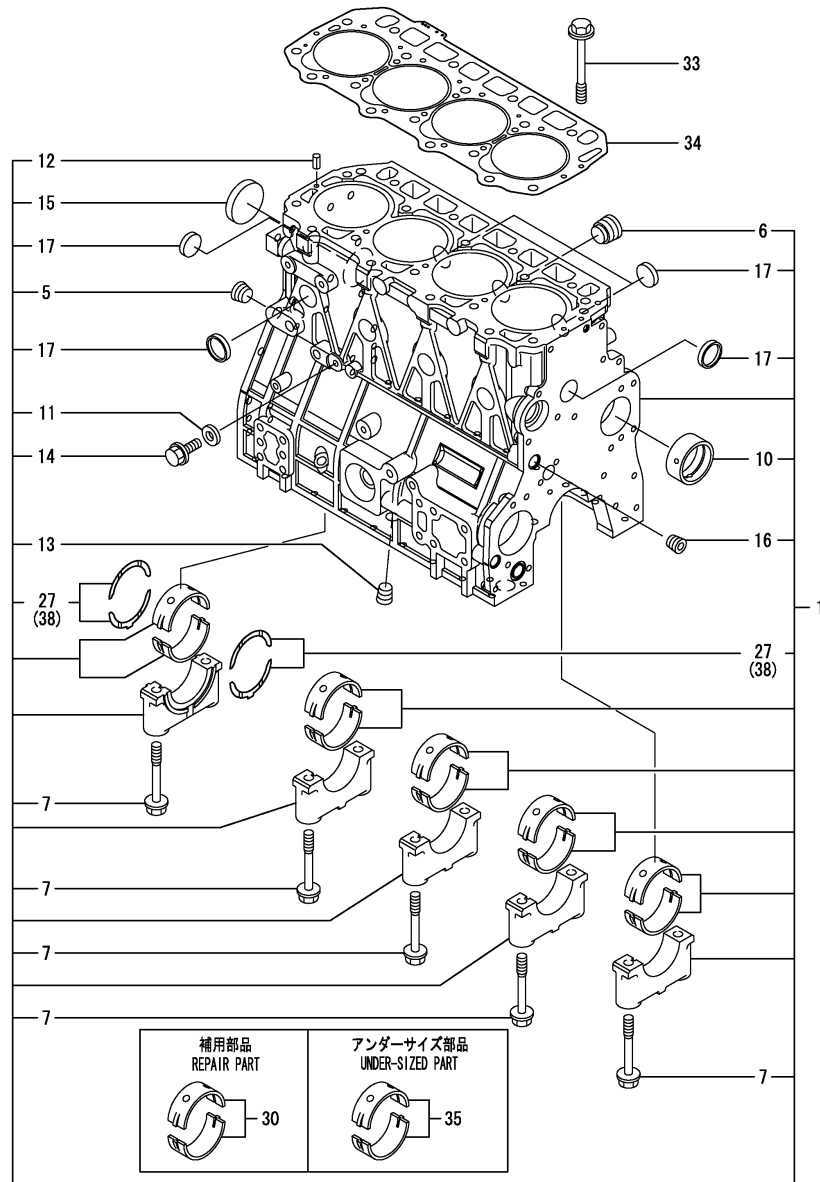
(B)=

(C)=

(D)=

(E)=

(F)=



REF.	LEV.	PARTS NO.	DESCRIPTION	QTY						I	R
				(A)	(B)	(C)	(D)	(E)	(F)		
1	1	729903-01560	BLOCK ASSY, CYLINDER	1							
5	2	23876-030000	PLUG PT3/8,SCREW	1							
6	2	171051-01921	PLUG, NPTF1	1							
7	2	129900-02020	BOLT, METAL CAP	10							
10	2	129900-02410	BUSH, CAMSHAFT	1							
11	2	22190-080002	SEAL WASHER 8S	1							
12	2	22351-060012	SPRING PIN 6X12	2							
13	2	23876-030000	PLUG PT3/8,SCREW	1							
14	2	26106-080122	BOLT M 8X 12 PLATED	1							
15	2	129900-01250	PLUG, 55	1							
16	2	23876-030000	PLUG PT3/8,SCREW	1							
17	2	27241-300000	PLUG 30	8							
27	2	129900-02931	BEARING ASSY, THRUST	2							
30	1	729900-02801	BEARING ASSY, MAIN	5							3
33	1	129900-01200	BOLT, CYLINDER HEAD	18							
34	1	129903-01350	GASKET, HEAD	1							
35	1	129900-02341	MAIN BEARING US=0.25	5							1
38	1	129900-02941	BEARING,THRUST .25OS	2							2

Remarks
 (1) UNDER-SIZED(U.S=0.25)PART.
 (2) OVER-SIZED(O.S=0.25)PART.
 (3) REPAIR PART.

(A)=4TNE98-URTL

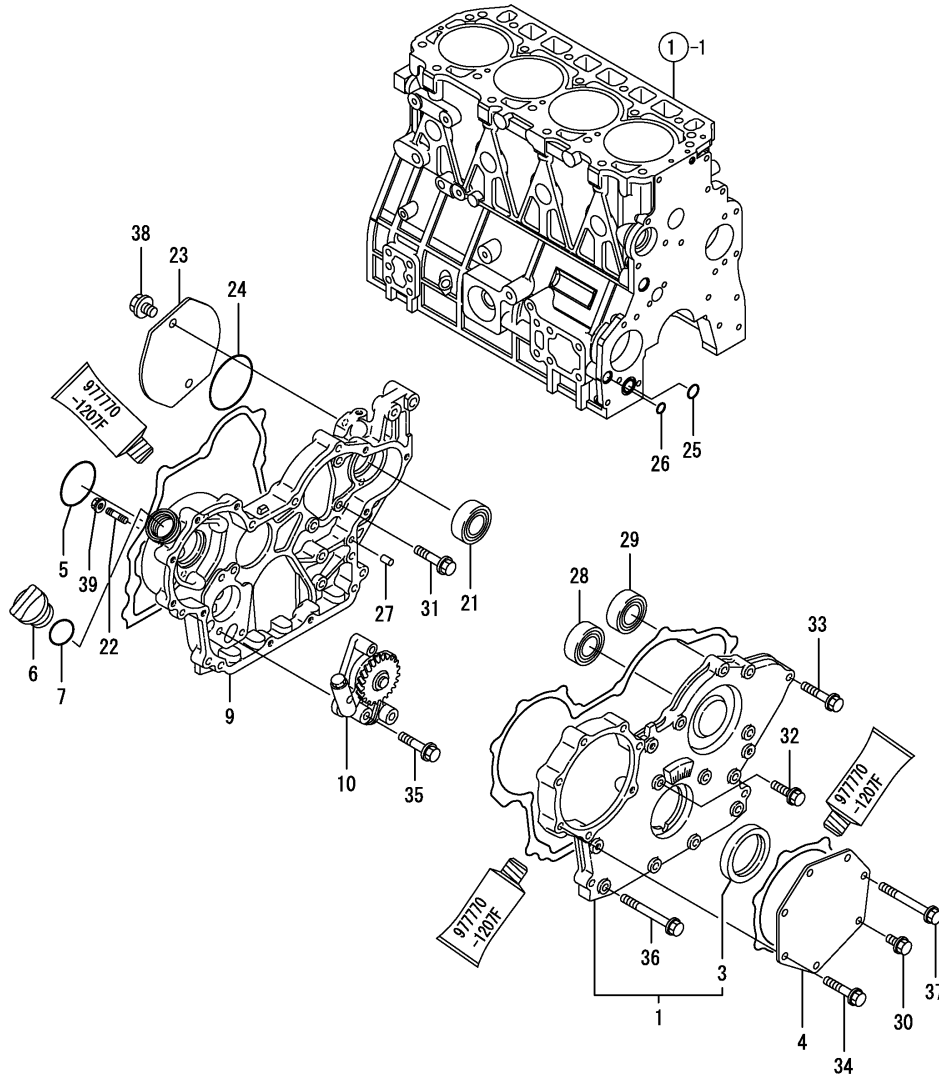
(B)=

(C)=

(D)=

(E)=

(F)=



REF.	LEV.	PARTS NO.	DESCRIPTION	QTY						I	R
				(A)	(B)	(C)	(D)	(E)	(F)		
1	1	129917-01500	COVER ASSY,GEAR CASE	1							
3	2	129916-01800	SEAL, OIL	1							
4	1	129951-01740	COVER, TIMING	1							
5	1	24341-000500	O-RING 1A S-50.0	1							
6	1	124160-01751	COVER, FILLER	1							
7	1	24311-000320	O-RING 1A P-32.0	1							
9	1	129970-01500	HOUSING, GEAR	1							
10	1	129900-32001	PUMP ASSY, LUB.OIL	1							
21	1	129900-26250	BALL BEARING	1							
22	1	26226-080302	STUD M 8X 30 PLATED	3							
23	1	121023-26070	COVER, PUMP	1							
24	1	24321-000850	O-RING 1A G-85.0	1							
25	1	129900-32030	O-RING, P20	1							
26	1	129900-32040	O-RING, P14	1							
27	1	129100-01580	PIN, PARALLEL	4							
28	1	129900-14140	BALL BEARING	1							
29	1	129900-26250	BALL BEARING	1							
30	1	26106-080162	BOLT M 8X 16 PLATED	1							
31	1	26106-080202	BOLT M 8X 20 PLATED	3							
32	1	26106-080302	BOLT M 8X 30 PLATED	1							
33	1	26106-080402	BOLT M 8X 40 PLATED	5							
34	1	26106-080402	BOLT M 8X 40 PLATED	5							
35	1	26106-080452	BOLT M 8X 45 PLATED	3							
36	1	129001-91810	BOLT M 8X 70 PLATED	6							
37	1	129001-91810	BOLT M 8X 70 PLATED	1							
38	1	26106-100122	BOLT M10X 12 PLATED	2							
39	1	26306-080002	NUT, M8	3							

(A)=4TNE98-URTL

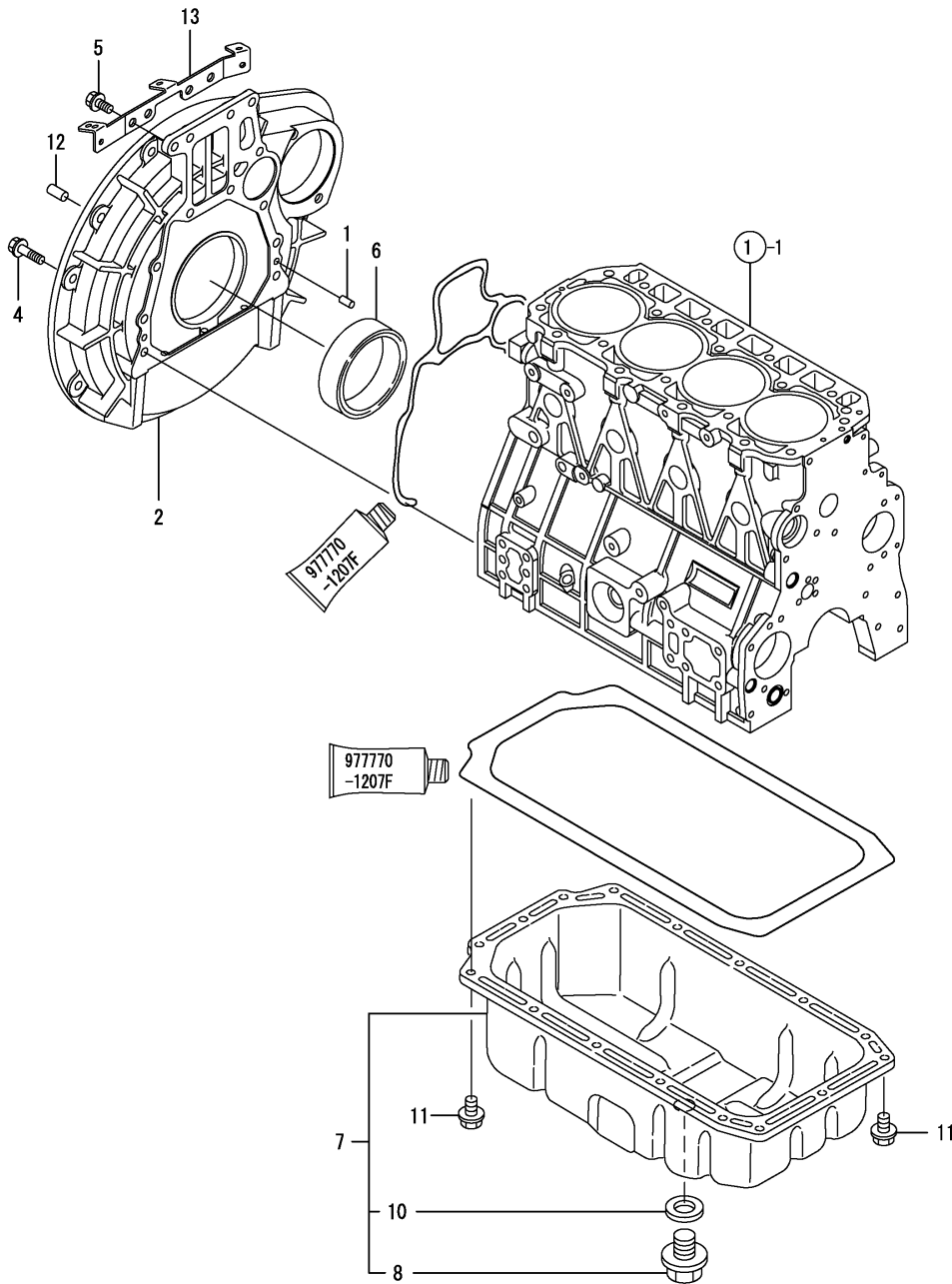
(B)=

(C)=

(D)=

(E)=

(F)=



REF.	LEV.	PARTS NO.	DESCRIPTION	QTY						I	R
				(A)	(B)	(C)	(D)	(E)	(F)		
1	1	129100-01580	PIN, PARALLEL	2							
2	1	129906-01610	HOUSING, FLYWHEEL	1							
4	1	26206-100352	BOLT M10X 35 PLATED	9							
5	1	26206-100202	BOLT M10X20	4							
6	1	129916-01790	SEAL,OIL D115/95XT11	1							
7	1	129930-01710	SUMP ASSY, LUB.OIL	1							
8	2	119640-01640	DRAIN PLUG M22	1							
10	2	22190-220002	WASHER, 22	1							
11	1	26106-080122	BOLT M 8X 12 PLATED	16							
12	1	22312-120200	PARALLEL PIN, M12X20	2							
13	1	129930-91120	BRACKET, CORD	1							

(A)=4TNE98-URTL

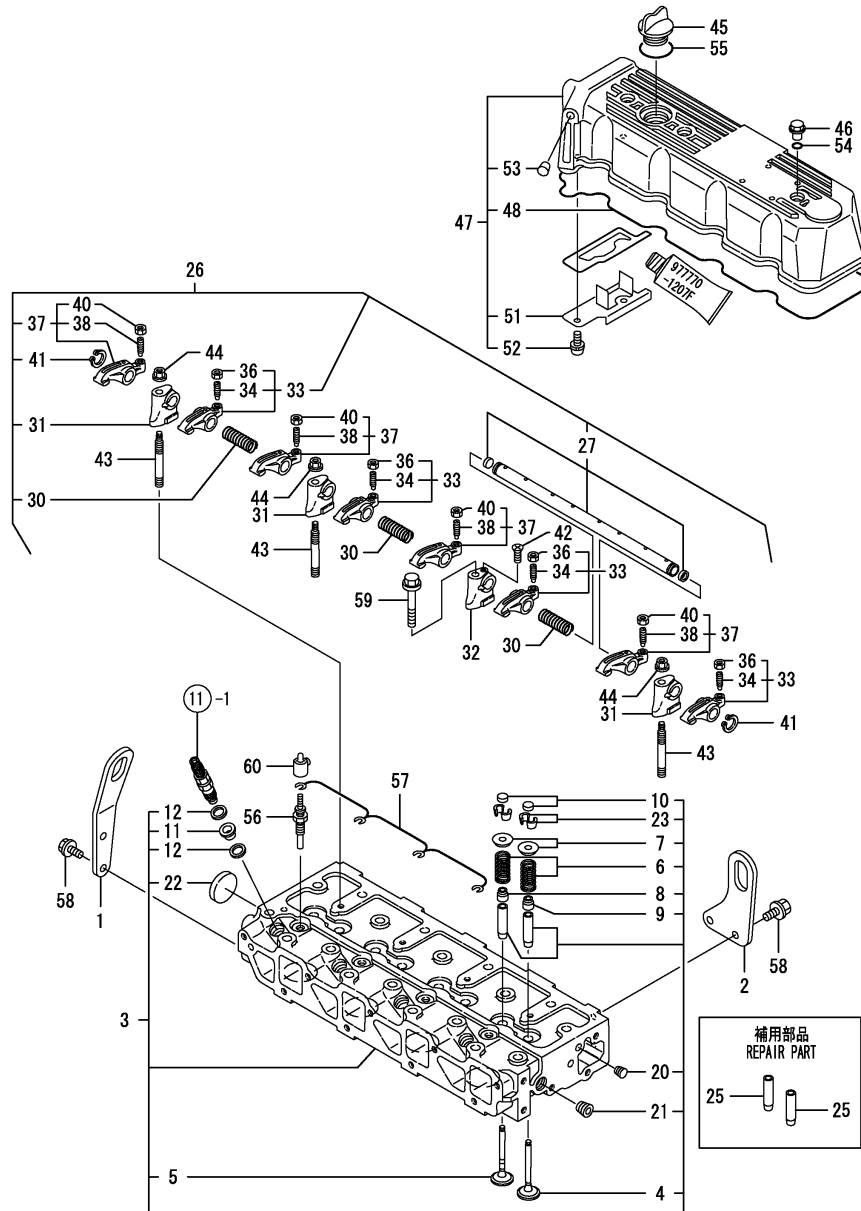
(B)=

(C)=

(D)=

(E)=

(F)=



REF.	LEV.	PARTS NO.	DESCRIPTION	QTY						I	R
				(A)	(B)	(C)	(D)	(E)	(F)		
1	1	129930-07910	LIFTER, ENGINE	1							
2	1	129910-07910	LIFTER, ENGINE	1							
3	1	129903-11700	HEAD ASSY, CYLINDER	1							
4	2	129900-11100	VALVE, INTAKE	4							
5	2	129900-11110	VALVE, EXHAUST	4							
6	2	129900-11120	SPRING, VALVE	8							
7	2	129795-11180	RETAINER, SPRING	8							
8	2	121400-11340	SEAL, VALVE STEM	4							
9	2	124460-11340	SEAL, VALVE STEM	4							
10	2	129150-11370	CAP, VALVE	8							
11	2	129901-11450	PROTECTOR, NOZZLE	4							
12	2	119600-11460	GASKET, NOZZLE	8							
20	2	23871-005000	PLUG, PT1/16	1							
21	2	23876-030000	PLUG PT3/8,SCREW	1							
22	2	27241-400000	PLUG 40	1							
23	2	27310-080001	COTTER, 8	8							
25	1	129150-11810	GUIDE, EXHAUST VALVE	8							1
26	1	129900-11200	SUPPORT ASSY, ARM	1							
27	2	129900-11240	SHAFT ASSY, ROCKER	1							
30	2	129900-11280	SPRING, SHAFT	3							
31	2	129900-11510	SUPPORT, ARM A	3							
32	2	129900-11520	SUPPORT, ARM B	1							
33	2	129900-11650	ARM KIT, ROCKER	4							
34	3	129150-11230	SCREW, VALVE ADJUST	4							
36	3	129150-11750	NUT, M8	4							
37	2	129900-11660	ARM KIT, ROCKER	4							
38	3	129150-11230	SCREW, VALVE ADJUST	4							
40	3	129150-11750	NUT, M8	4							
41	2	22242-000180	CIRCLIP 18	2							
42	2	26577-040162	SCREW M 4X 16	1							
43	1	129900-11530	STUD, SUPPORT	3							
44	1	26306-100002	NUT, M10	3							
45	1	124160-01751	COVER, FILLER	1							
46	1	124160-11360	KNOB	3							
47	1	129900-11370	BONNET ASSY, HEAD	1							
48	2	129900-11310	GASKET, BONNET	1							
51	2	129900-11600	PLATE, BAFFLE	1							
52	2	22857-500100	SCREW, M5X10	2							
53	2	27225-080080	PLUG, 8X8	1							
54	1	24311-000120	O-RING 1A P-12.0	3							
55	1	24311-000320	O-RING 1A P-32.0	1							
56	1	119717-77800	PLUG, GLOW	4							
57	1	129901-77820	CONNECTOR, GLOW PLUG	1							
58	1	26106-080162	BOLT M 8X 16 PLATED	4							
59	1	26106-100652	BOLT M10X 65 PLATED	1							
60	1	119326-77820	COVER, GLOW PLUG	4							

Remarks
(1) REPAIR PART.

N:Old $\begin{matrix} \leftarrow \text{Yes} \\ \text{No} \end{matrix}$ New, Q:Old $\begin{matrix} \leftarrow \text{No} \\ \text{Yes} \end{matrix}$ New, R:Old $\begin{matrix} \leftarrow \text{Yes} \\ \text{Yes} \end{matrix}$ New, S:Old $\begin{matrix} \leftarrow \text{No} \\ \text{No} \end{matrix}$ New, W:Add, Z:Discontinued, F:Interchangeable by set, K:Q'ty Change

(A)=4TNE98-URTL

(B)=

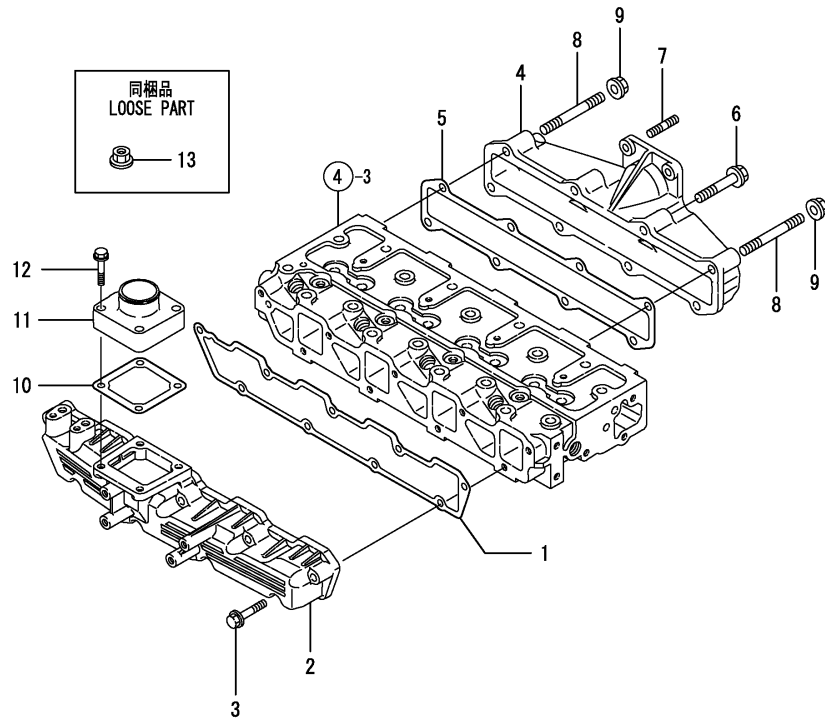
(C)=

(D)=

(E)=

(F)=

REF.	LEV.	PARTS NO.	DESCRIPTION	QTY						I	R
				(A)	(B)	(C)	(D)	(E)	(F)		
1	1	129900-12050	GASKET, MANIFOLD	1							
2	1	129900-12100	MANIFOLD, AIR INTAKE	1							
3	1	26106-080452	BOLT M 8X 45 PLATED	9							
4	1	129900-13120	MANIFOLD, EXHAUST	1							
5	1	129900-13150	GASKET, MANIFOLD	1							
6	1	119802-13610	BOLT, M8X45	6							
7	1	119131-18320	STUD, M8X22	4							
8	1	119802-13720	STUD, M8X45	2							
9	1	26306-080002	NUT, M8	2							
10	1	121850-77021	GASKET, HEATER	1							
11	1	121959-12140	JOINT, HOSE	1							
12	1	26106-080352	BOLT M 8X 35 PLATED	4							
13	1	26306-080002	NUT, M8	2							



(A)=4TNE98-URTL

(B)=

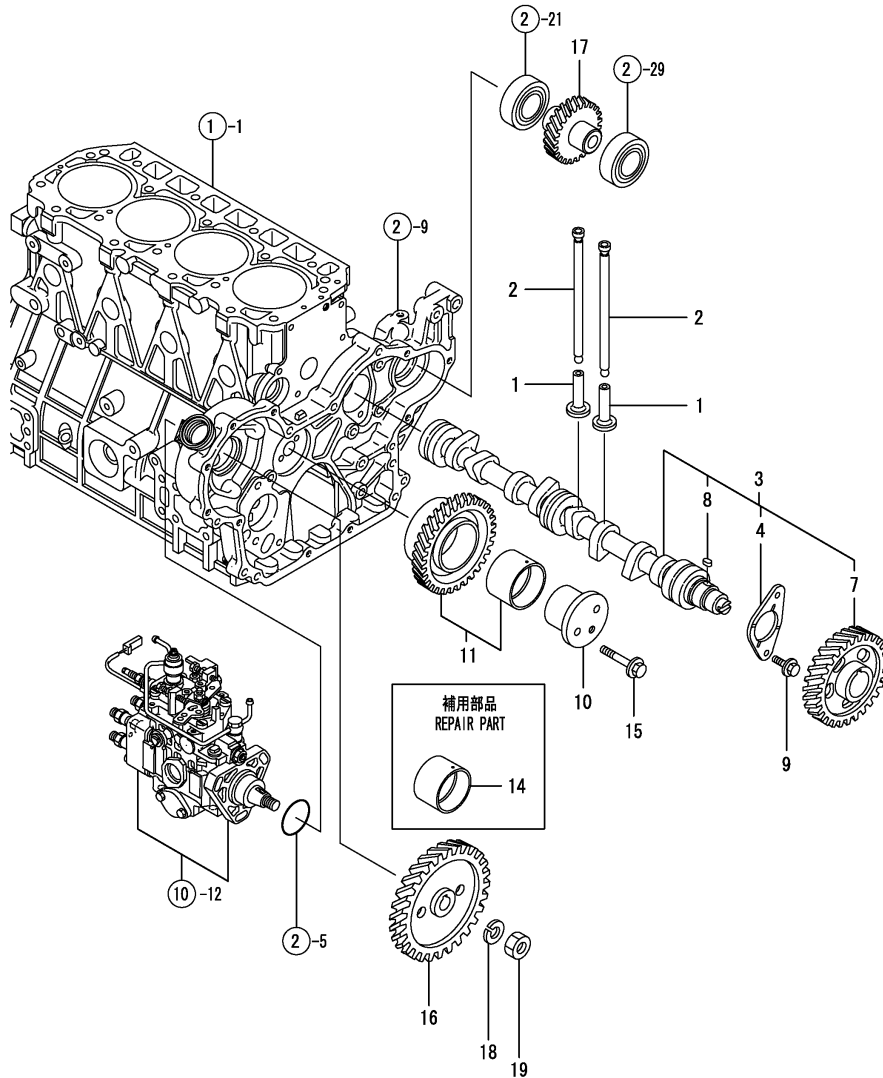
(C)=

(D)=

(E)=

(F)=

REF.	LEV.	PARTS NO.	DESCRIPTION	QTY						I	R
				(A)	(B)	(C)	(D)	(E)	(F)		
1	1	129150-14200	TAPPET	8							
2	1	129900-14400	ROD, PUSH	8							
3	1	129900-14590	CAMSHAFT ASSY	1							
4	2	129150-02450	METAL, THRUST	1							
7	2	129900-14110	GEAR, CAMSHAFT	1							
8	2	22512-070140	KEY, 7X14	1							
9	1	26106-080142	BOLT 8X 14 PLATED	2							
10	1	129900-25060	SHAFT, IDLER	1							
11	1	129900-25110	GEAR ASSY, IDLE	1							
14	2	129150-25920	BUSH, IDLE GEAR	1							1
15	1	26106-080552	BOLT M 8X 55 PLATED	2							
16	1	129901-25900	GEAR, FI-P	1							
17	1	129900-26020	GEAR ASSY, PUMP	1							
18	1	22217-140000	SPRING WASHER 14	1							
19	1	26776-140002	LOCK NUT M14 PLATED	1							



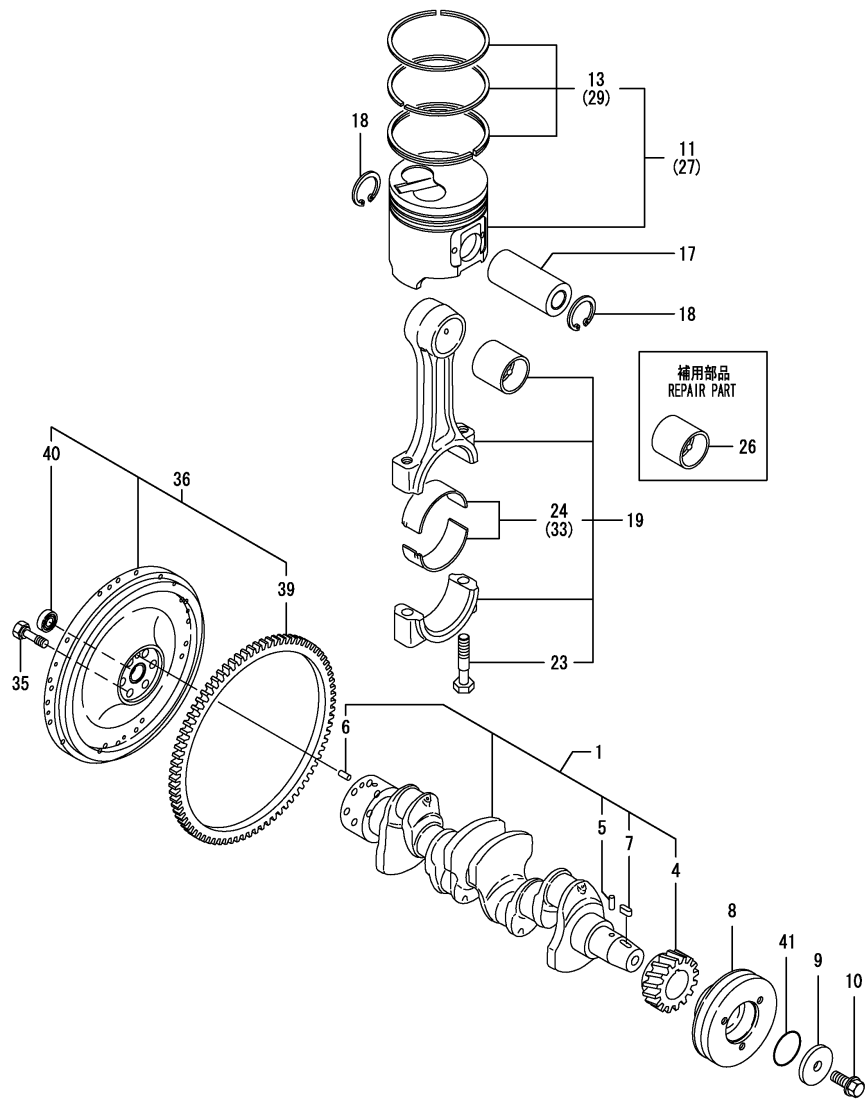
Remarks
(1) REPAIR PART.

N:Old $\begin{matrix} \leftarrow \text{Yes} \\ \text{No} \end{matrix}$ New, Q:Old $\begin{matrix} \leftarrow \text{No} \\ \text{Yes} \end{matrix}$ New, R:Old $\begin{matrix} \leftarrow \text{Yes} \\ \text{Yes} \end{matrix}$ New, S:Old $\begin{matrix} \leftarrow \text{No} \\ \text{No} \end{matrix}$ New, W:Add, Z:Discontinued, F:Interchangeable by set, K:Q'ty Change

(C)Copy Rights YANMAR CO.,LTD.

(A)=4TNE98-URTL
(B)=
(C)=

(D)=
(E)=
(F)=



REF.	LEV.	PARTS NO.	DESCRIPTION	QTY						I	R
				(A)	(B)	(C)	(D)	(E)	(F)		
1	1	129902-21050	CRANKSHAFT ASSY	1							
4	2	129900-21220	GEAR, CRANKSHAFT	1							
5	2	121850-21290	PIN	1							
6	2	121850-21920	PARALLEL PIN, M10X22	1							
7	2	22512-070140	KEY, 7X14	1							
8	1	129907-21650	V-PULLEY, CRANKSHAFT	1							
9	1	129960-21640	WASHER	1							
10	1	129916-21610	BOLT, V-PULLEY	1							
11	1	129903-22120	PISTON W/RING	4							
13	2	129903-22050	RING SET	4							
17	1	120130-22301	PIN, PISTON	4							
18	1	22252-000300	CIRCLIP 30	8							
19	1	129900-23001	ROD ASSY, CONNECTING	4							
23	2	129900-23200	BOLT, CONNECTING ROD	8							
24	2	129900-23601	METAL ASSY, CRANK PIN	4							
26	1	129900-23911	METAL, PISTON PIN	4							1
27	1	129903-22940	PISTON W/RING .25OS	4							2
29	2	129903-22950	RING SET O.S=0.25	4							2
33	1	129900-23611	BEARING, PIN U.S=0.25	4							3
35	1	121850-21130	BOLT, FLYWHEEL	6							
36	1	129906-21520	FLYWHEEL ASSY	1							
39	2	129900-21600	GEAR, RING	1							
40	2	129930-21690	BALL BEARING	1							
41	1	24341-000530	O-RING, 1A S53.0	1							

Remarks
 (1) REPAIR PART.
 (2) OVER-SIZE(O.S=0.25)PART.
 (3) UNDER-SIZE(U.S=0.25)PART.

(A)=4TNE98-URTL

(B)=

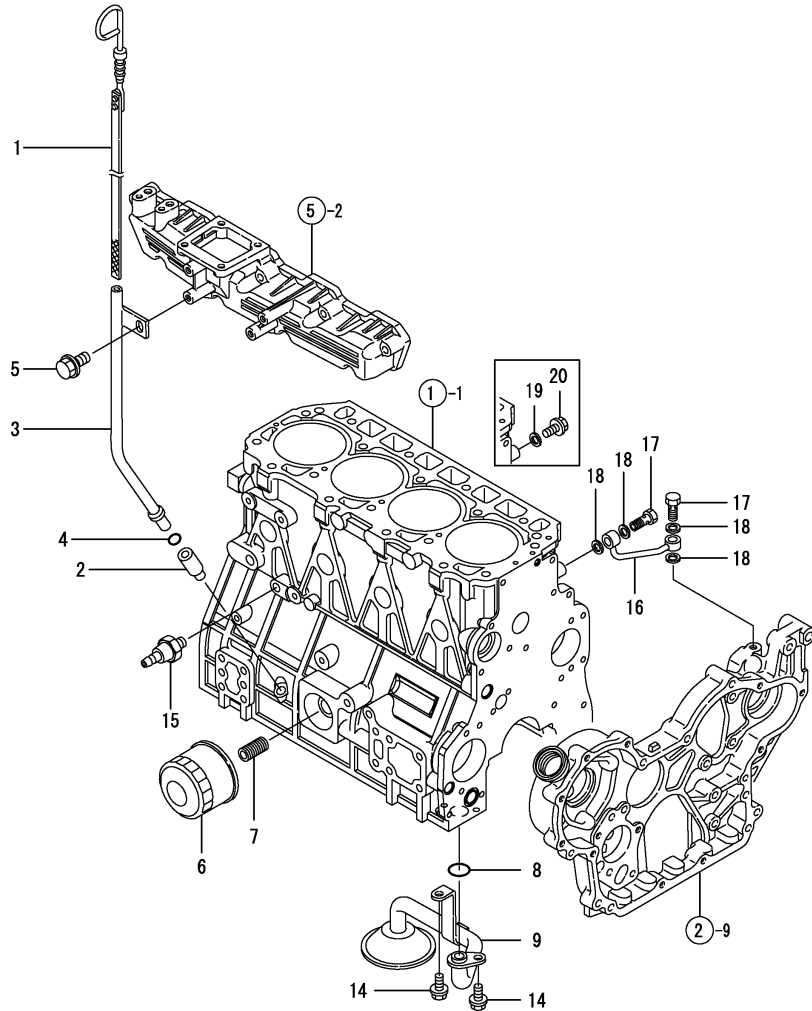
(C)=

(D)=

(E)=

(F)=

REF.	LEV.	PARTS NO.	DESCRIPTION	QTY						I	R
				(A)	(B)	(C)	(D)	(E)	(F)		
1	1	129930-34800	DIPSTICK, LUB.OIL	1							
2	1	119260-34810	GUIDE, DIPSTICK	1							
3	1	129930-34810	GUIDE, DIPSTICK	1							
4	1	24311-240100	O-RING 1A P-10A	1							
5	1	26106-080162	BOLT M 8X 16 PLATED	1							
6	1	129150-35153	FILTER 80X80L	1							1
7	1	119000-35140	STUD, FILTER	1							
8	1	129900-32030	O-RING, P20	1							
9	1	129930-35000	PIPE ASSY, OIL INLET	1							
14	1	26106-080122	BOLT M 8X 12 PLATED	2							
15	1	114250-39450	SWITCH, OIL PRESSURE	1							
16	1	129930-39050	PIPE, LUB.OIL	1							
17	1	105010-39140	BOLT, PIPE JOINT	2							
18	1	22190-080002	SEAL WASHER 8S	4							



Remarks
(1) REPAIR PART.

N:Old $\xrightarrow{\text{Yes}}$ New, Q:Old $\xrightarrow{\text{No}}$ New, R:Old $\xrightarrow{\text{Yes}}$ New, S:Old $\xrightarrow{\text{No}}$ New, W:Add, Z:Discontinued, F:Interchangeable by set, K:Q'ty Change

(A)=4TNE98-URTL

(B)=

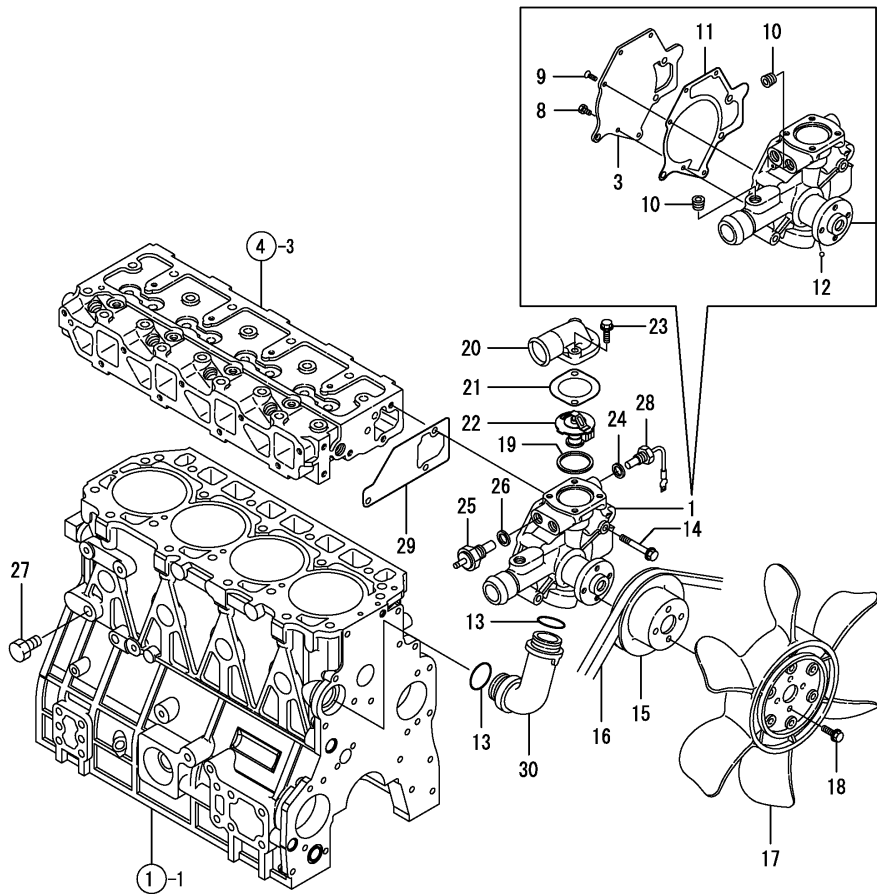
(C)=

(D)=

(E)=

(F)=

REF.	LEV.	PARTS NO.	DESCRIPTION	QTY						I	R
				(A)	(B)	(C)	(D)	(E)	(F)		
1	1	129900-42055	PUMP ASSY, WATER	1							
3	2	129900-42161	COVER	1							
8	2	26116-060162	BOLT 6X16	2							
9	2	26577-060152	SCREW, M6X15	3							
10	2	23876-030000	PLUG PT3/8,SCREW	2							
11	2	129900-42170	GASKET	1							
12	2	24190-080001	BALL 1/4, STEEL	1							
13	1	129900-42140	O-RING, P36	2							
14	1	26106-080552	BOLT M 8X 55 PLATED	3							
15	1	129900-42461	V-PULLEY, WATER PUMP	1							
16	1	25152-004500	V-BELT	1							
17	1	129900-44700	FAN, COOLING	1							
18	1	26014-080162	BOLT M 8X 16	4							
19	1	121850-49550	GASKET, THERMOSTAT	1							
20	1	129900-49551	COVER, THERMOSTAT	1							
21	1	129900-49560	GASKET, COVER	1							
22	1	121850-49810	THERMOSTAT	1							
23	1	26106-080252	BOLT M 8X 25 PLATED	2							
24	1	124465-44950	GASKET, 16	1							
25	1	124250-49351	THERMOMETER	1							
26	1	129150-49360	GASKET 10	1							
27	1	171056-49120	PLUG, DRAIN	1							
28	1	129107-44901	SENSOR, HOT WATER	1							
29	1	129900-42061	GASKET, PUMP	1							
30	1	129900-42070	PIPE, COOLING WATER	1							



(A)=4TNE98-URTL

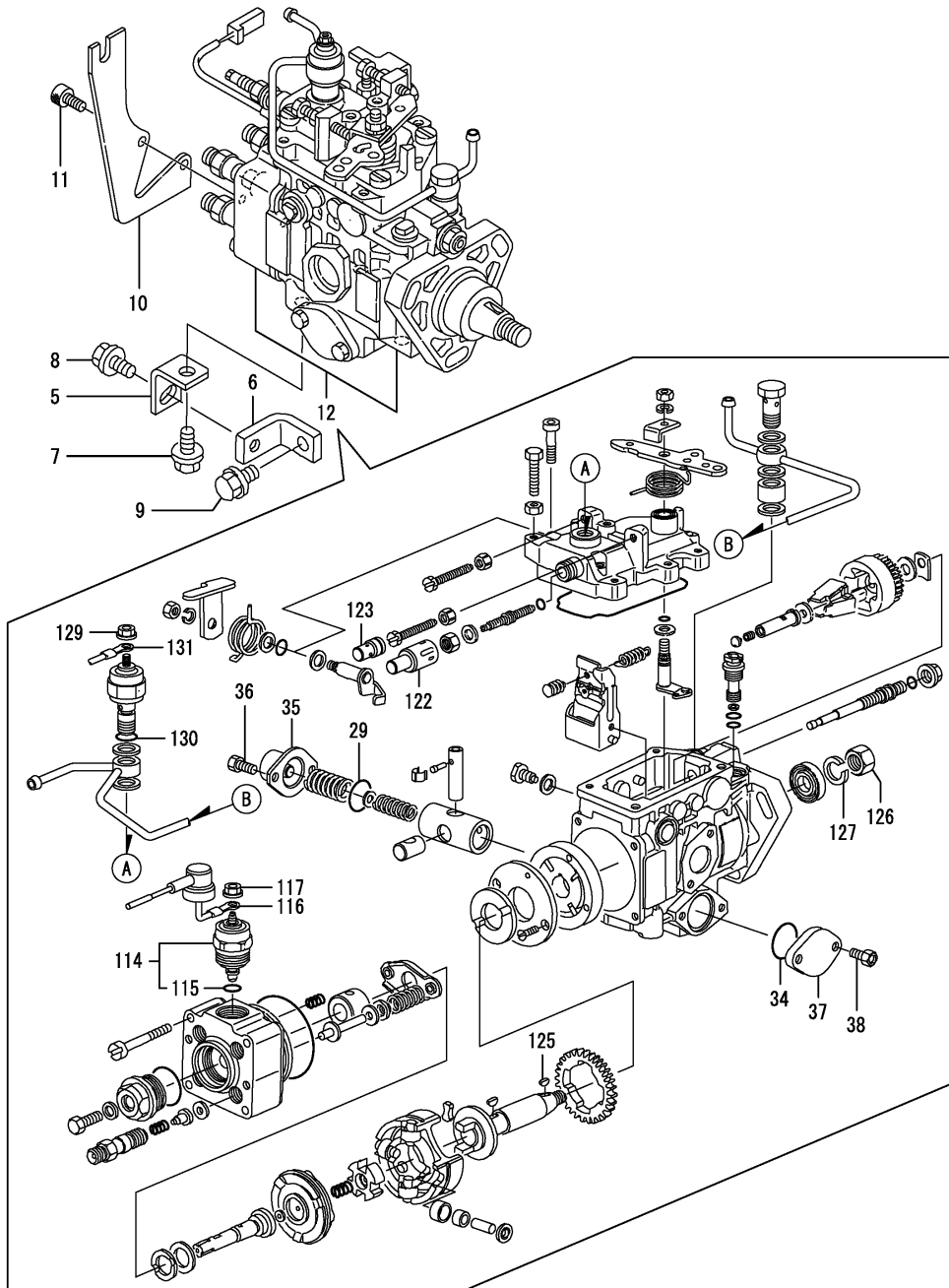
(B)=

(C)=

(D)=

(E)=

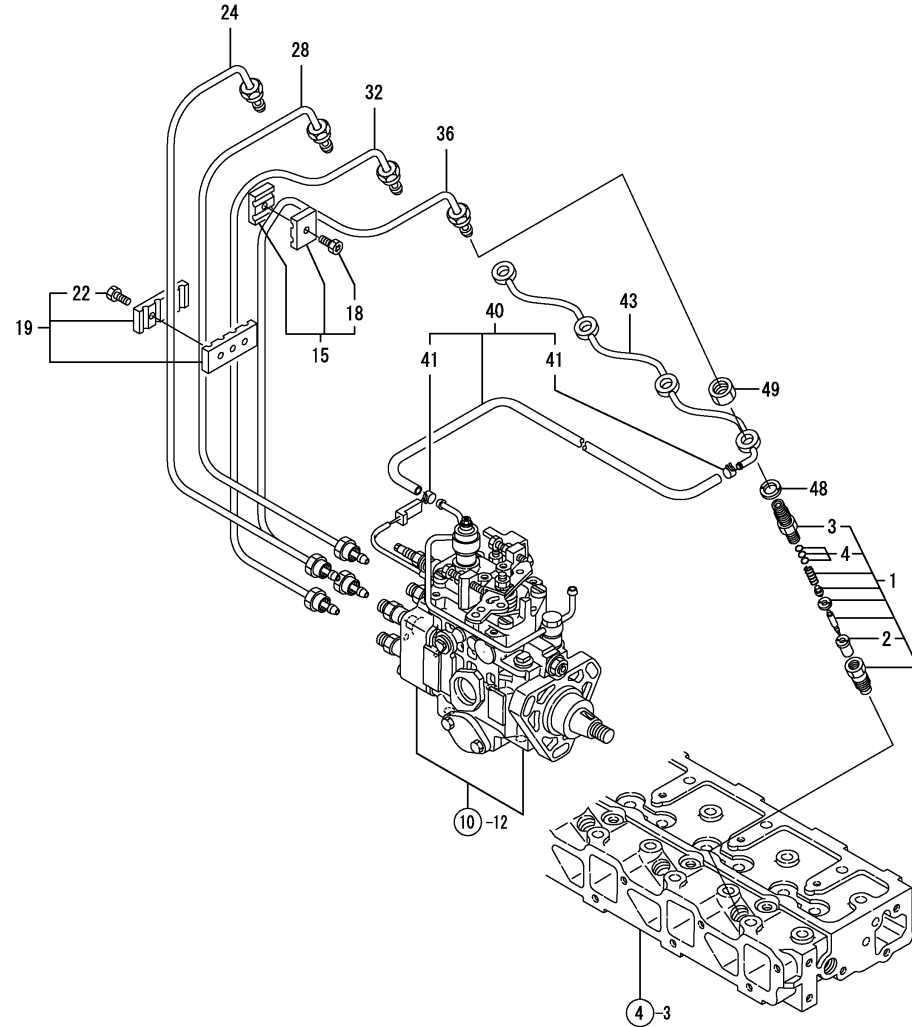
(F)=



REF.	LEV.	PARTS NO.	DESCRIPTION	QTY						I	R
				(A)	(B)	(C)	(D)	(E)	(F)		
5	1	129904-01950	RETAINER	1							
6	1	129901-01960	STAY	1							
7	1	26106-100142	BOLT M10X 14 PLATED	1							
8	1	26106-100162	BOLT M10X 16 PLATED	1							
9	1	26106-100202	BOLT M10X 20 PLATED	1							
10	1	129930-67010	BRACKET, WIRE	1							
11	1	26450-060252	BOLT, M6X25	2							
12	1	129971-51000	PUMP ASSY, INJECTION	1							
29	2	X1466000800	O RING	1							
34	2	X1466000800	O RING	1							
35	2	X1463104020	COVER	1							
36	2	X1466205000	BOLT	2							
37	2	X1463105100	COVER	1							
38	2	X1466205000	BOLT	2							
114	2	X1466501220	VALVE	1							
115	3	X1466001700	O RING	1							
116	2	X1466584820	WIRE	1							
117	2	X1466214901	NUT	1							
122	2	X1465981000	CAP	1							
123	2	X0299985720	CAP	1							
125	2	X0294704030	WOODRUFF KEY	1							
126	2	X0131214140	NUT	1							
127	2	X0293214050	SPRING WASHER	1							
129	2	X1466214901	NUT	1							
130	2	X1466005000	O RING	1							
131	2	X1466629920	WIRE	1							

(A)=4TNE98-URTL
(B)=
(C)=

(D)=
(E)=
(F)=



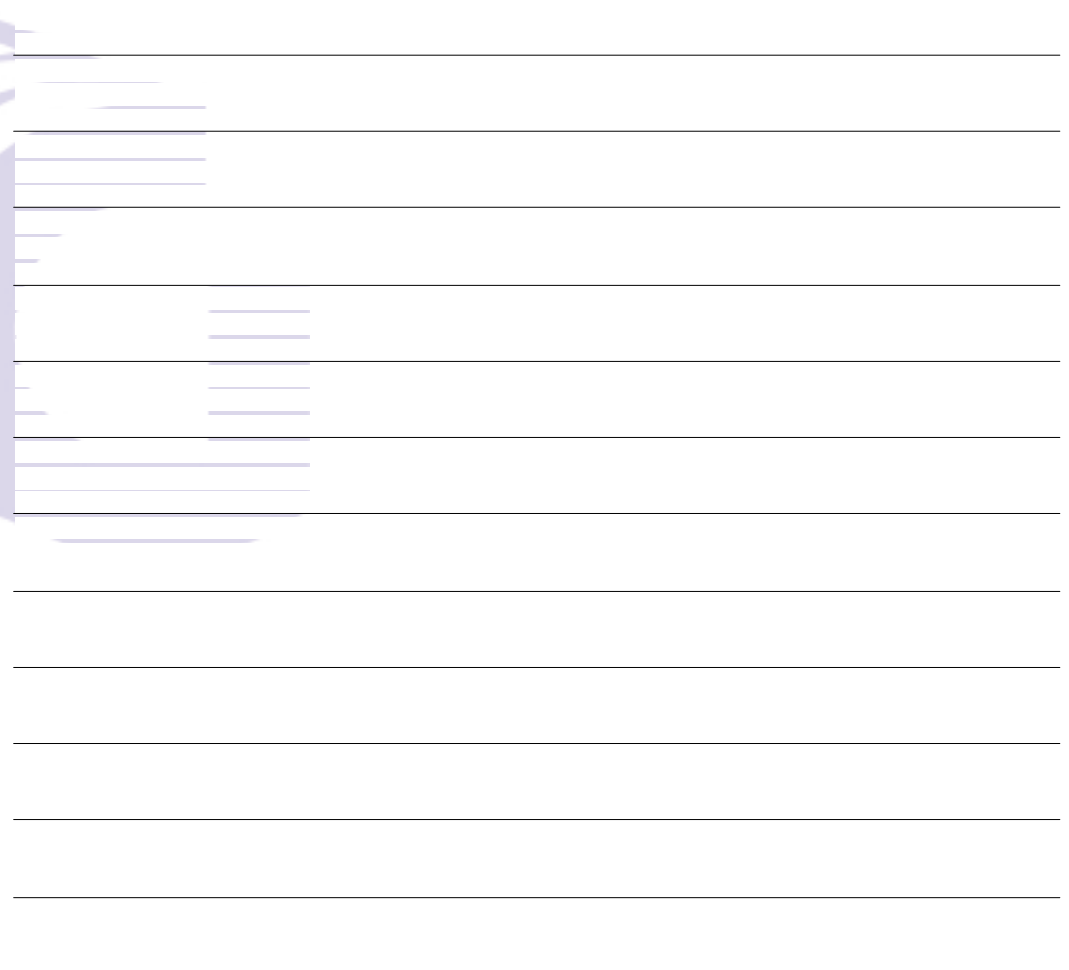
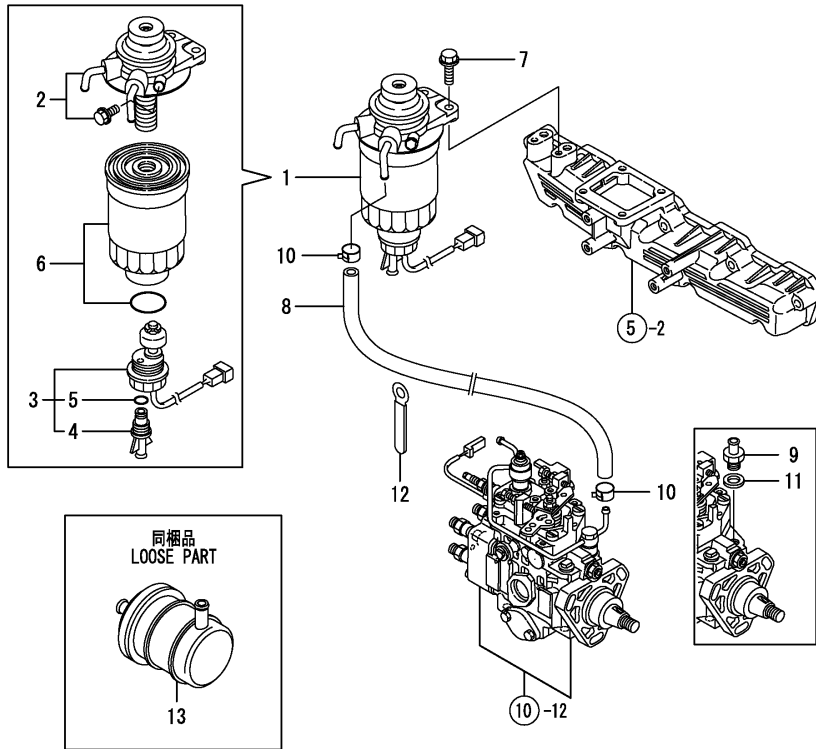
REF.	LEV.	PARTS NO.	DESCRIPTION	QTY						I	R
				(A)	(B)	(C)	(D)	(E)	(F)		
1	1	129931-53000	VALVE ASSY,INJECTION	4							
2	2	119717-53010	VALVE ASSY,INJECTION	4							
3	2	129901-53020	HOLDER, NOZZLE	4							
4	2	129901-53800	SHIM SET, ADJUSTING	4							1
15	1	119305-59120	RETAINER	2							
18	2	129150-59131	BOLT M4X14,HEX.SCKT.	2							
19	1	129550-59120	RETAINER, PIPE	1							
22	2	129150-59131	BOLT M4X14,HEX.SCKT.	2							
24	1	129901-59810	PIPE ASSY, INJECTION	1							
28	1	129901-59820	PIPE ASSY, INJECTION	1							
32	1	129901-59830	PIPE ASSY, INJECTION	1							
36	1	129901-59840	PIPE ASSY, INJECTION	1							
40	1	105225-59500	PIPE ASSY,F.O.RETURN	1							
41	2	124066-59100	CLIP, HOSE	2							
43	1	129901-59510	PIPE ASSY, RETURN	1							
48	1	129901-59560	GASKET, RETURN	4							
49	1	119620-59700	NUT, NOZZLE RETURN	4							

Remarks
(1) REPAIR PART.

(A)=4TNE98-URTL
 (B)=
 (C)=

 (D)=
 (E)=
 (F)=

REF.	LEV.	PARTS NO.	DESCRIPTION	QTY						I	R
				(A)	(B)	(C)	(D)	(E)	(F)		
1	1	129917-55801	FILTER ASSY, FUEL	1							
2	2	129917-55810	BODY, FILTER	1							
3	2	129917-55821	SENSOR ASSY, LEVEL	1							
4	3	129917-55830	PLUG, DRAIN	1							
5	3	129917-55840	O-RING, PLUG	1							
6	2	129917-55850	ELEMENT KIT, FILTER	1							
7	1	26106-080252	BOLT M 8X 25 PLATED	2							
8	1	129901-59500	PIPE, FUEL OIL	1							
9	1	23000-013000	CLAMP 13	2							
10	1	105430-67110	CLAMP	2							
11	1	129052-55630	STRAINER, FUEL OIL(IN)	1							



(A)=4TNE98-URTL

(B)=

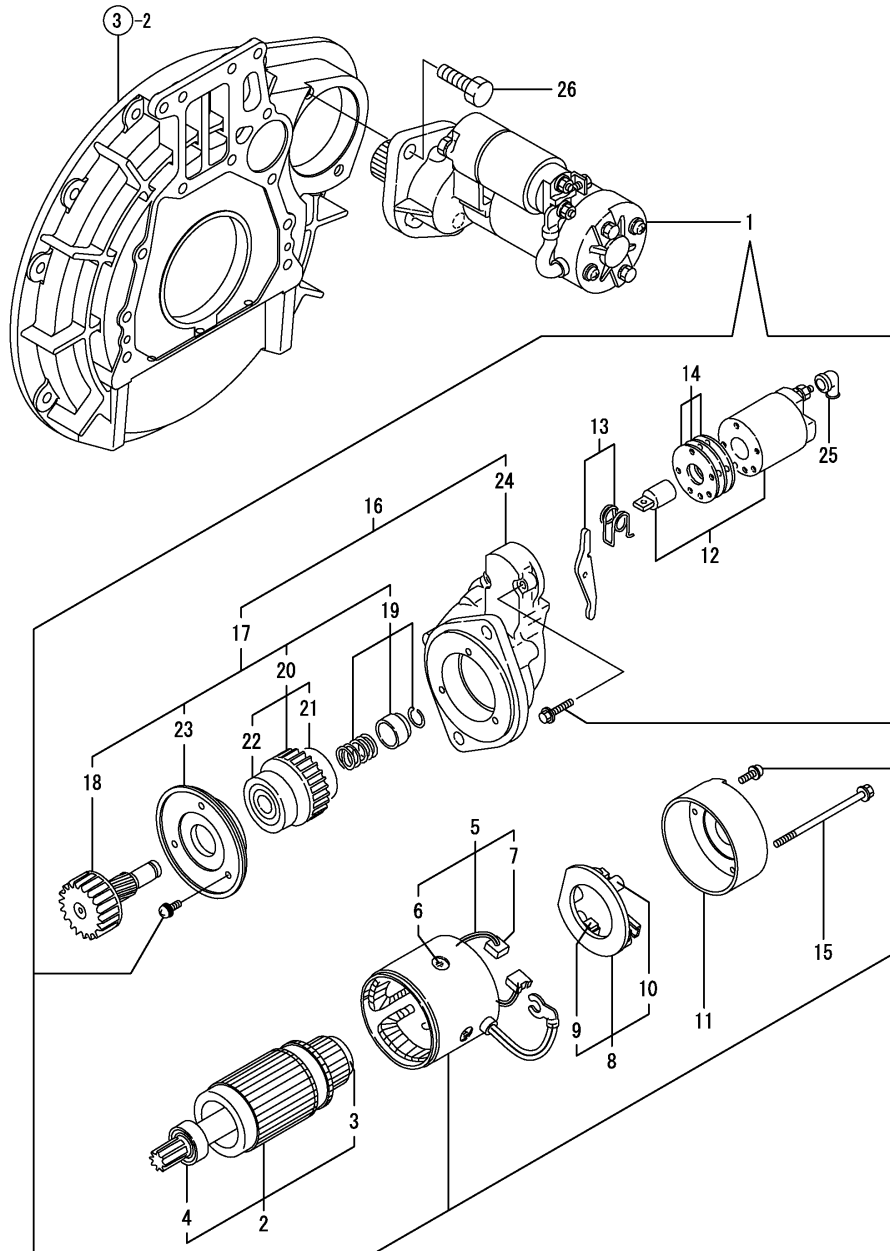
(C)=

(D)=

(E)=

(F)=

REF.	LEV.	PARTS NO.	DESCRIPTION	QTY						I	R
				(A)	(B)	(C)	(D)	(E)	(F)		
1	1	129900-77010	STARTER(2.3KW	1							
2	2	129900-77400	ARMATURE ASSY	1							
3	3	X2114155110	BALL BEARING	1							
4	3	X2114255110	BALL BEARING	1							
5	2	129900-77440	COIL ASSY, FIELD	1							
6	3	171008-77450	SCREW, POLE CORE SET	4							
7	3	129900-77450	BRUSH (+)	2							
8	2	129900-77480	HOLDER ASSY, BRASH	1							
9	3	129900-77450	BRUSH (+)	2							
10	3	X2130631300	BRUSH SPRING	4							
11	2	129900-77460	COVER, REAR	1							
12	2	129900-77591	SWITCH ASSY,MAGNETIC	1							
13	2	129900-77620	SHIFT LEVER SET	1							
14	2	129900-77650	COVER ASSY, DUST	1							
15	2	129900-77640	BOLT, THROUGH	2							
16	2	129900-77700	GEAR CASE ASY	1							
17	3	129900-77510	PINION ASSY	1							
18	4	129900-77540	SHAFT, PINION	1							
19	4	129900-77550	STOPPER SET	1							
20	4	129900-77520	CLUTCH ASSY	1							
21	4	171008-77730	BALL BEARING (3)	1							
22	4	171008-77740	BEARING	1							
23	4	129900-77610	RETAINER, BEARING	1							
24	3	129900-77710	HOUSING, GEARS	1							
25	2	171008-77750	COVER, M TERMINAL	1							
26	1	26116-120302	BOLT M12X 30 PLATED	2							



(A)=4TNE98-URTL

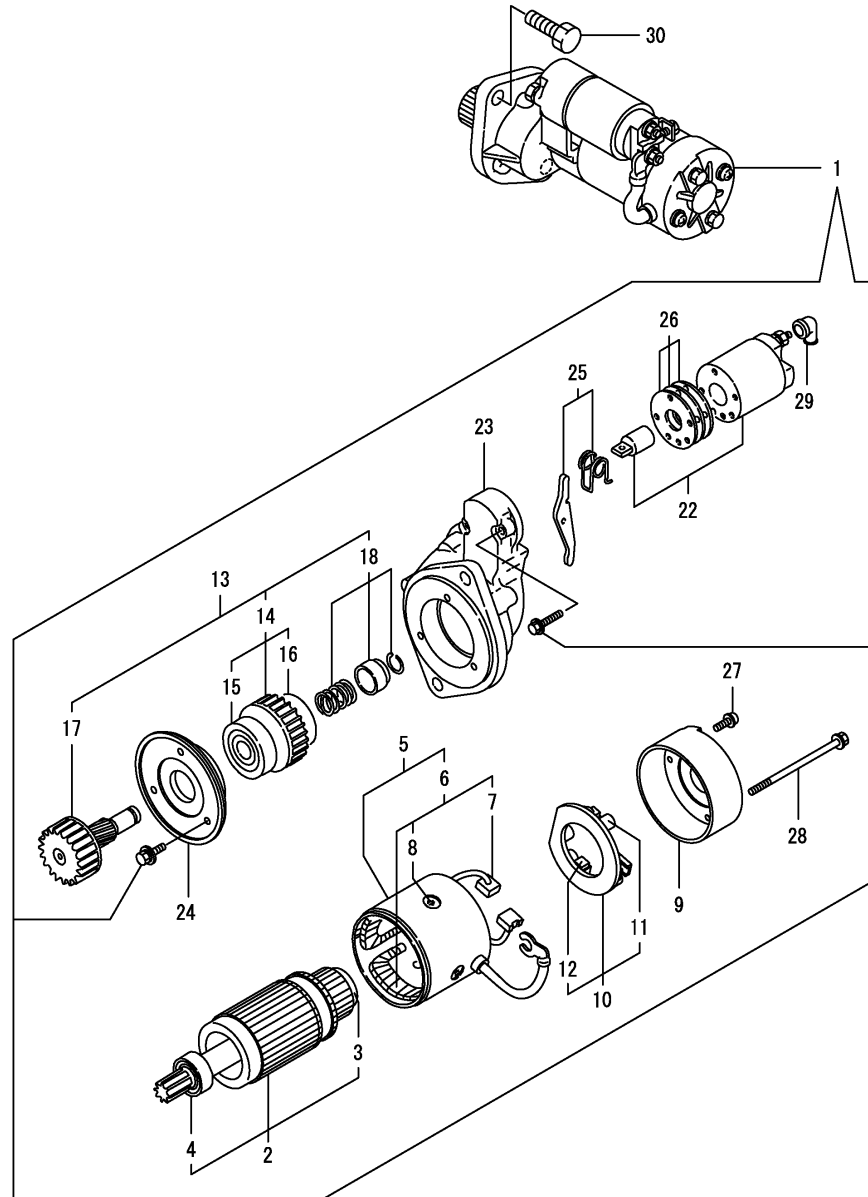
(B)=

(C)=

(D)=

(E)=

(F)=



REF.	LEV.	PARTS NO.	DESCRIPTION	QTY						I	R
				(A)	(B)	(C)	(D)	(E)	(F)		
1	1	129900-77040	STARTER, 12V 2.3KW	1							
2	2	129900-77120	ARMATURE ASSY	1							
3	3	171008-77410	BEARING	1							
4	3	171008-77420	BEARING	1							
5	2	129900-77130	YOKE ASSY	1							
6	3	129900-77140	COIL ASSY, FIELD	1							
7	4	129900-77450	BRUSH (+)	2							
8	4	171008-77450	SCREW, POLE CORE SET	4							
9	2	129900-77150	COVER, REAR	1							
10	2	129900-77160	HOLDER ASSY, BRUSH	1							
11	3	X2130631300	BRUSH SPRING	4							
12	3	129900-77450	BRUSH (+)	2							
13	2	129900-77170	PINION ASSY	1							
14	3	129900-77180	CLUTCH ASSY	1							
15	4	X2114955020	BALL BEARING	1							
16	4	129900-77190	BEARING	1							
17	3	129900-77270	SHAFT, PINION	1							
18	3	171008-77670	STOPPER SET, PINION	1							
22	2	129900-77280	SWITCH ASSY, MAGNET	1							
23	2	129900-77290	CASE, GEAR	1							
24	2	129900-77380	RETAINER, BEARING	1							
25	2	129900-77390	LEVER ASSY	1							
26	2	129900-77420	COVER SET, DUST	1							
27	2	129900-77430	SCREW M4X10	2							
28	2	129685-77640	BOLT, THROUGH	2							
29	2	171008-77750	COVER, M TERMINAL	1							
30	1	26116-120302	BOLT M12X 30 PLATED	2							

(A)=4TNE98-URTL

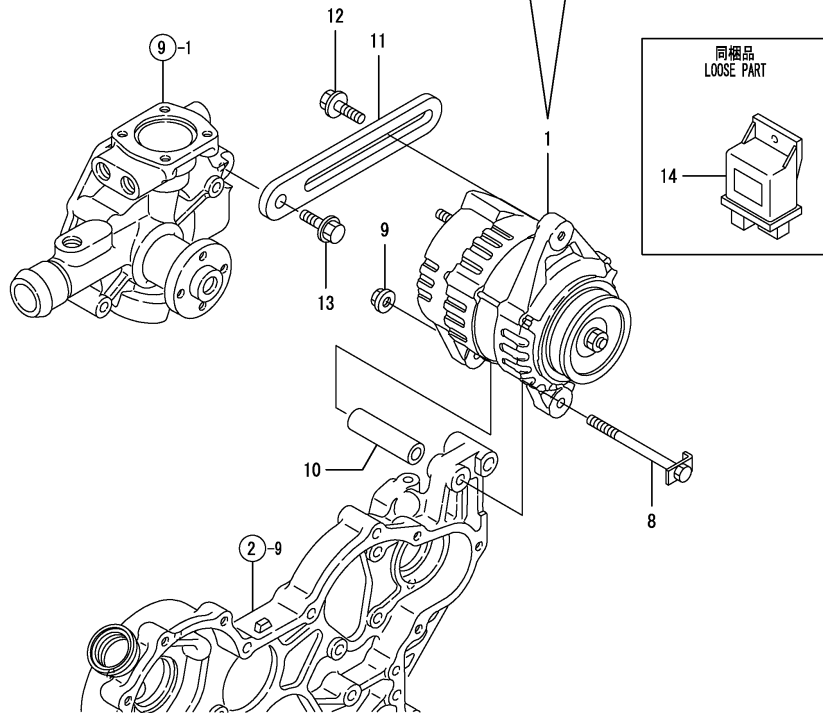
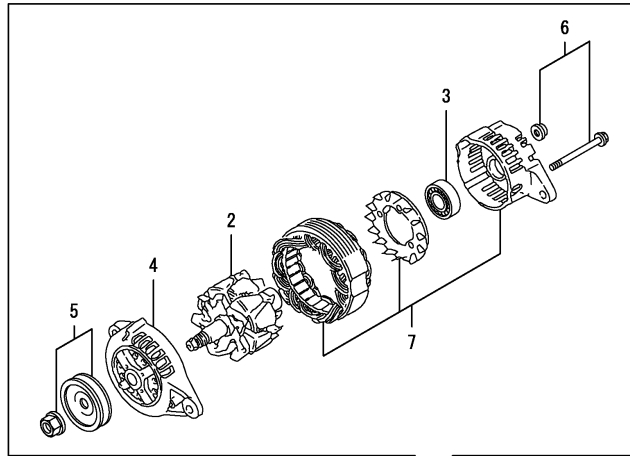
(B)=

(C)=

(D)=

(E)=

(F)=



REF.	LEV.	PARTS NO.	DESCRIPTION	QTY						I	R
				(A)	(B)	(C)	(D)	(E)	(F)		
1	1	129930-77212	GENERATOR	1							
2	2	129612-77700	ROTOR ASSY	1							
3	2	129612-77710	BALL BEARING	1							
4	2	129612-77730	BRACKET ASSY, FRONT	1							
5	2	129930-77740	PULLEY	1							
6	2	129612-77750	SCREW KIT	1							
7	2	129930-77930	BRACKET, REAR	1							
8	1	129136-77251	BOLT, M8X110	1							
9	1	129612-77260	NUT, ALTERNATOR	1							
10	1	129150-77340	SPACER	1							
11	1	129900-77330	ADJUSTER, BELT	1							
12	1	119810-77340	BOLT	1							
13	1	26014-080252	BOLT M 8X 25	1							
14	1	129930-77950	CONTROLLER	1							

Remarks

*This item is applicable to
 [(A)=EZZZZ-1] or previous machines.
 Refer to Fig.17.

N:Old $\xrightarrow{\text{Yes}}$ New, Q:Old $\xrightarrow{\text{No}}$ New, R:Old $\xrightarrow{\text{Yes}}$ New, S:Old $\xrightarrow{\text{No}}$ New, W:Add, Z:Discontinued, F:Interchangeable by set, K:Q'ty Change

(A)=4TNE98-URTL

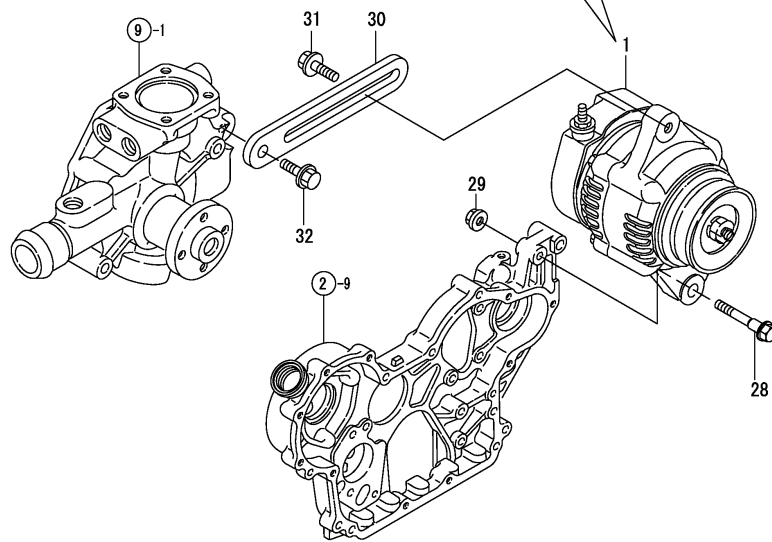
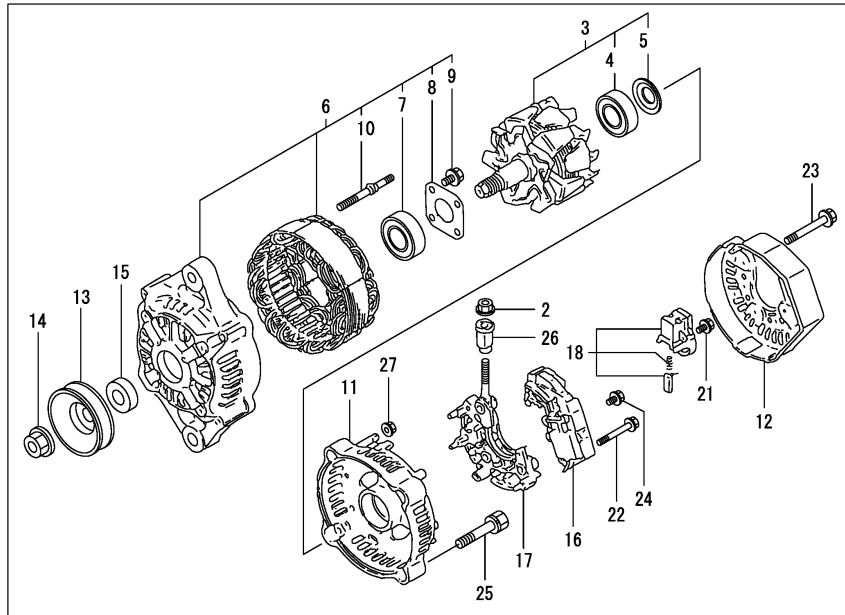
(B)=

(C)=

(D)=

(E)=

(F)=



REF.	LEV.	PARTS NO.	DESCRIPTION	QTY						I	R
				(A)	(B)	(C)	(D)	(E)	(F)		
1	1	119626-77210	ALTERNATOR	1							
2	2	X9490561001	NUT	1							
3	2	129052-77380	ROTOR ASSY	1							
4	3	123501-79240	BEARING, BALL	1							
5	3	119620-79250	COVER, BEARING	1							
6	2	129052-77422	FRAME ASSY	1							
7	3	119620-79200	BALL BEARING	1							
8	3	119620-79210	PLATE, RETAINER	1							
9	3	119620-79220	SCREW	4							
10	2	119620-79230	STUD	2							
11	2	128401-77440	FRAME, REAR END	1							
12	2	119626-77450	COVER, END, RR	1							
13	2	119620-77461	PULLEY	1							
14	2	119620-77471	NUT	1							
15	2	119620-77490	COLLAR	1							
16	2	119626-77710	REGULATOR ASSY	1							
17	2	129052-79260	HOLDER	1							
18	2	129052-79270	HOLDER, BRUSH	1							
21	2	119620-79290	SCREW	6							
22	2	119620-79300	SCREW	1							
23	2	119620-79310	BOLT	3							
24	2	119620-79320	SCREW	2							
25	2	119620-79330	BOLT	2							
26	2	119620-79340	BUSH, INSULATION	1							
27	2	119620-79350	NUT	2							
28	1	129960-77250	BOLT, GENERATOR	1							
29	1	129612-77260	NUT, ALTERNATOR	1							
30	1	129900-77330	ADJUSTER, BELT	1							
31	1	119810-77340	BOLT	1							
32	1	26014-080252	BOLT M 8X 25	1							

Remarks

*This item is applicable to
 [(A)=EZZZZ]or following machines.
 Refer to Fig.14.

(A)=4TNE98-URTL

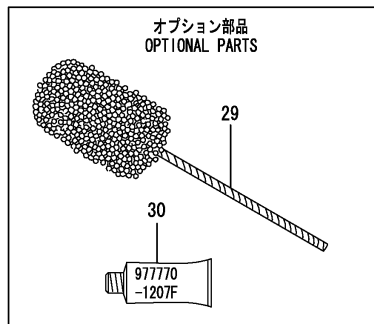
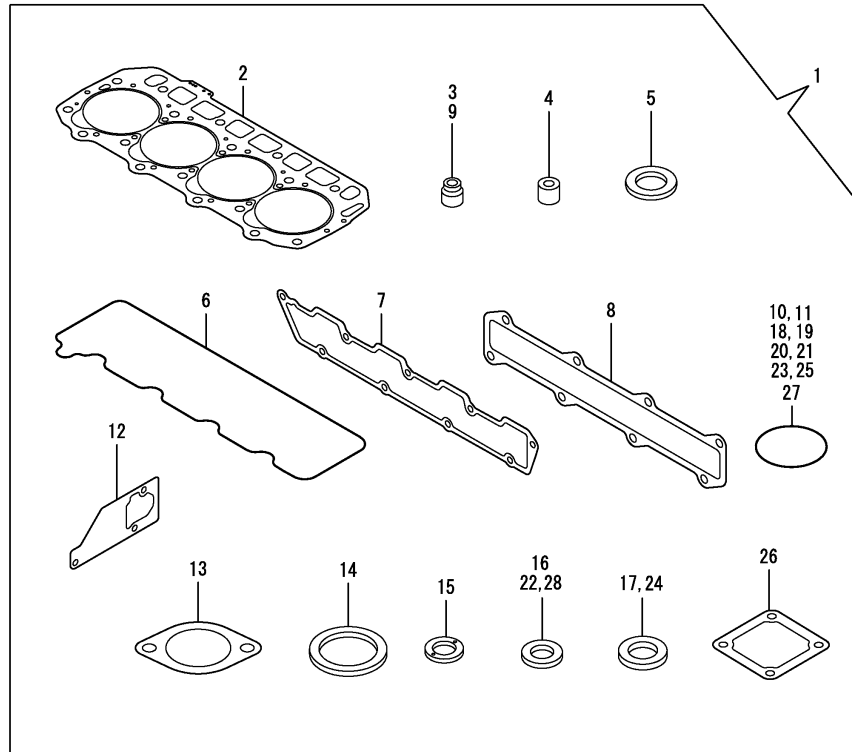
(B)=

(C)=

(D)=

(E)=

(F)=



REF.	LEV.	PARTS NO.	DESCRIPTION	QTY						I	R
				(A)	(B)	(C)	(D)	(E)	(F)		
1	1	729903-92710	GASKET SET	1							1
2	2	129903-01350	GASKET, HEAD	1							
3	2	124460-11340	SEAL, VALVE STEM	4							
4	2	129901-11450	PROTECTOR, NOZZLE	4							
5	2	119600-11460	GASKET, NOZZLE	8							
6	2	129900-11310	GASKET, BONNET	1							
7	2	129900-12050	GASKET, MANIFOLD	1							
8	2	129900-13150	GASKET, MANIFOLD	1							
9	2	121400-11340	SEAL, VALVE STEM	4							
10	2	129900-32030	O-RING, P20	2							
11	2	129900-32040	O-RING, P14	1							
12	2	129900-42061	GASKET, PUMP	1							
13	2	129900-49560	GASKET, COVER	1							
14	2	121850-49550	GASKET, THERMOSTAT	1							
15	2	129901-59560	GASKET, RETURN	4							
16	2	22190-220002	WASHER, 22	1							
17	2	124465-44950	GASKET, 16	1							
18	2	24311-240100	O-RING 1A P-10A	1							
19	2	24311-000120	O-RING 1A P-12.0	3							
20	2	24311-000320	O-RING 1A P-32.0	2							
21	2	24341-000500	O-RING 1A S-50.0	1							
22	2	22190-080002	SEAL WASHER 8S	5							
23	2	24321-000850	O-RING 1A G-85.0	1							
24	2	129150-49360	GASKET 10	1							
25	2	129900-42140	O-RING, P36	2							
26	2	121850-77021	GASKET, HEATER	1							
27	2	24341-000530	O-RING, 1A S53.0	1							
28	1	129400-92450	FLEX HORN	1							1
29	1	977770-1207F	GASKET.LIQUID	1							1

Remarks

(1) OPTIONAL PARTS.

 N:Old $\xrightarrow{\text{Yes}}$ New, Q:Old $\xrightarrow{\text{No}}$ New, R:Old $\xrightarrow{\text{Yes}}$ New, S:Old $\xrightarrow{\text{No}}$ New, W:Add, Z:Discontinued, F:Interchangeable by set, K:Q'ty Change

(C)Copy Rights YANMAR CO.,LTD.

Part Number Index

All parts are stipulated in the order of part numbers.

(Depending on the area in which the part is used.)

This index will display the location of the part according to each part number.

PARTS No. INDEX

PARTS No.	Fig.	Ref.No.
105010-39140	8	17
105225-59500	11	40
105430-67110	12	10
114250-39450	8	15
119000-35140	8	7
119131-18320	5	7
119260-34810	8	2
119305-59120	11	15
119326-77820	4	60
119600-11460	4	12
	15	5
119620-59700	11	49
119620-77461	17	13
119620-77471	17	14
119620-77490	17	15
119620-79200	17	7
119620-79210	17	8
119620-79220	17	9
119620-79230	17	10
119620-79250	17	5
119620-79290	17	21
119620-79300	17	22
119620-79310	17	23
119620-79320	17	24
119620-79330	17	25
119620-79340	17	26
119620-79350	17	27
119626-77210	17	1
119626-77450	17	12
119626-77710	17	16
119640-01640	3	8
119717-53010	11	2
119717-77800	4	56
119802-13610	5	6
119802-13720	5	8
119810-77340	14	12
	17	31
120130-22301	7	17
121023-26070	2	23
121400-11340	4	8
	15	9
121850-21130	7	35
121850-21290	7	5
121850-21920	7	6
121850-49550	9	19
	15	14
121850-49810	9	22
121850-77021	5	10
	15	26
121959-12140	5	11

PARTS No.	Fig.	Ref.No.
123501-79240	17	4
124066-59100	11	41
124160-01751	2	6
	4	45
124160-11360	4	46
124250-49351	9	25
124460-11340	4	9
	15	3
124465-44950	9	24
	15	17
128401-77440	17	11
129001-91810	2	36
		37
129052-55630	12	11
129052-77380	17	3
129052-77422	17	6
129052-79260	17	17
129052-79270	17	18
129100-01580	2	27
	3	1
129107-44901	9	28
129136-77251	14	8
129150-02450	6	4
129150-11230	4	34
		38
129150-11370	4	10
129150-11750	4	36
		40
129150-11810	4	25
129150-14200	6	1
129150-25920	6	14
129150-35153	8	6
129150-49360	9	26
	15	24
129150-59131	11	18
		22
129150-77340	14	10
129400-92450	15	28
129550-59120	11	19
129612-77260	14	9
	17	29
129612-77700	14	2
129612-77710	14	3
129612-77730	14	4
129612-77750	14	6
129685-77640	16	28
129795-11180	4	7
129900-01200	1	33
129900-01250	1	15
129900-02020	1	7

PARTS No.	Fig.	Ref.No.
129900-02341	1	35
129900-02410	1	10
129900-02931	1	27
129900-02941	1	38
129900-11100	4	4
129900-11110	4	5
129900-11120	4	6
129900-11200	4	26
129900-11240	4	27
129900-11280	4	30
129900-11310	4	48
	15	6
129900-11370	4	47
129900-11510	4	31
129900-11520	4	32
129900-11530	4	43
129900-11600	4	51
129900-11650	4	33
129900-11660	4	37
129900-12050	5	1
	15	7
129900-12100	5	2
129900-13120	5	4
129900-13150	5	5
	15	8
129900-14110	6	7
129900-14140	2	28
129900-14400	6	2
129900-14590	6	3
129900-21220	7	4
129900-21600	7	39
129900-23001	7	19
129900-23200	7	23
129900-23601	7	24
129900-23611	7	33
129900-23911	7	26
129900-25060	6	10
129900-25110	6	11
129900-26020	6	17
129900-26250	2	21
		29
129900-32001	2	10
129900-32030	2	25
	8	8
	15	10
129900-32040	2	26
	15	11
129900-42055	9	1
129900-42061	9	29
	15	12

PARTS No.	Fig.	Ref.No.
129900-42070	9	30
129900-42140	9	13
	15	25
129900-42161	9	3
129900-42170	9	11
129900-42461	9	15
129900-44700	9	17
129900-49551	9	20
129900-49560	9	21
	15	13
129900-77010	13	1
129900-77040	16	1
129900-77120	16	2
129900-77130	16	5
129900-77140	16	6
129900-77150	16	9
129900-77160	16	10
129900-77170	16	13
129900-77180	16	14
129900-77190	16	16
129900-77270	16	17
129900-77280	16	22
129900-77290	16	23
129900-77330	14	11
	17	30
129900-77380	16	24
129900-77390	16	25
129900-77400	13	2
129900-77420	16	26
129900-77430	16	27
129900-77440	13	5
129900-77450	13	7
		9
	16	7
		12
129900-77460	13	11
129900-77480	13	8
129900-77510	13	17
129900-77520	13	20
129900-77540	13	18
129900-77550	13	19
129900-77591	13	12
129900-77610	13	23
129900-77620	13	13
129900-77640	13	15
129900-77650	13	14
129900-77700	13	16
129900-77710	13	24
129901-01960	10	6
129901-11450	4	11

PARTS No. INDEX

PARTS No.	Fig.	Ref.No.
129901-11450	15	4
129901-25900	6	16
129901-53020	11	3
129901-53800	11	4
129901-59500	12	8
129901-59510	11	43
129901-59560	11	48
	15	15
129901-59810	11	24
129901-59820	11	28
129901-59830	11	32
129901-59840	11	36
129901-77820	4	57
129902-21050	7	1
129903-01350	1	34
	15	2
129903-11700	4	3
129903-22050	7	13
129903-22120	7	11
129903-22940	7	27
129903-22950	7	29
129904-01950	10	5
129906-01610	3	2
129906-21520	7	36
129907-21650	7	8
129910-07910	4	2
129916-01790	3	6
129916-01800	2	3
129916-21610	7	10
129917-01500	2	1
129917-55801	12	1
129917-55810	12	2
129917-55821	12	3
129917-55830	12	4
129917-55840	12	5
129917-55850	12	6
129930-01710	3	7
129930-07910	4	1
129930-21690	7	40
129930-34800	8	1
129930-34810	8	3
129930-35000	8	9
129930-39050	8	16
129930-67010	10	10
129930-77212	14	1
129930-77740	14	5
129930-77930	14	7
129930-77950	14	14
129930-91120	3	13
129931-53000	11	1

PARTS No.	Fig.	Ref.No.
129951-01740	2	4
129960-21640	7	9
129960-77250	17	28
129970-01500	2	9
129971-51000	10	12
171008-77410	16	3
171008-77420	16	4
171008-77450	13	6
	16	8
171008-77670	16	18
171008-77730	13	21
171008-77740	13	22
171008-77750	13	25
	16	29
171051-01921	1	6
171056-49120	9	27
729900-02801	1	30
729903-01560	1	1
729903-92710	15	1
977770-1207F	15	29
X0131214140	10	126
X0293214050	10	127
X0294704030	10	125
X0299985720	10	123
X1463104020	10	35
X1463105100	10	37
X1465981000	10	122
X1466000800	10	29
		34
X1466001700	10	115
X1466005000	10	130
X1466205000	10	36
		38
X1466214901	10	117
		129
X1466501220	10	114
X1466584820	10	116
X1466629920	10	131
X2114155110	13	3
X2114255110	13	4
X2114955020	16	15
X2130631300	13	10
	16	11
X9490561001	17	2

PARTS No.	Fig.	Ref.No.
-----------	------	---------

PARTS No.	Fig.	Ref.No.
-----------	------	---------



YANMAR CO., LTD.