

0CW10-M29500EN

PREFACE

1. This parts catalog is the 1st edition of 4TNE98-BQCKS for CLARK MATERIAL HANDLING ASIA Inc.

Pub.No. : 000Y00W2950

Published : December, 2007

2. Model name

Engine model	Vehicle	Vehicle made by
	Products	
4TNE98-BQCKS	Forklift	CLARK MATERIAL HANDLING ASIA Inc.

Directions for the Parts Catalog.

1. This Parts Catalog shows both standard and optional parts.
2. Parts may change without prior notice.
3. The following is an example of the Parts Catalog format.

REF.	LEV.	PARTS NO.	DESCRIPTION	Q'TY						I	R
				(A)	(B)	(C)	(D)	(E)	(F)		
1	1	729595-51390	FUEL INJECTION PUMP	1	1	1	1	1			1
1-1	1	729595-51391	FUEL INJECTION PUMP	1	1	1	1	1		N	1
		(A=E00185) (B=E00200)									
3	2	26022-060162	SCREW M 6X 16	9	9	9	9	9			
3-1	2	26022-060162	SCREW M 6X 16	4	4	4	4	4		K	
		(A=E00156) (B=E00156) (C=E00156) (D=E00156) (E=E00156)									
4	2	129470-51040	CAMSHAFT	1	1	1	1	1			
5	2	122710-51050	BEARING, ROLLER	2	2	2	2	2			
6	2	129470-51060	RETAINER	1	1	1	1	1			

Remarks
(1) BOOST COMPEMSATOR TYPE. OPTIONAL PART, TO E00155,(4JH-DT, 4JH-DTZ

① Ref. No.

The Ref. No. listed may not be in accordance with the illustration Ref. No.

(Ex.) Illustration No. 1 List Ref No. 1 (Before change) → 1-1 (After change)

For interchangeable symbols N, R and K, illustrations for new parts may be abbreviated.

② Lev. (Level)

Level indication

The numbers below indicate the level of relativity towards the main part.

1 ----- Main parts (Assembly parts)

2 ----- Sub component included in " 1 ".

3 ----- Sub component included in " 2 ".

Note) Parts that are not for sale are partially illustrated but not listed.

③ Interchangeability Symbol

When a part change takes place, one of the following interchangeability symbols is indicated beside the part.

Symbol	Interchangeability	Contents note
N	Old $\begin{matrix} \leftarrow \text{Yes} \\ \text{No} \rightarrow \end{matrix}$ New	New Part is interchangeable for Old Part but Old Part is not interchangeable for New Part.
Q	Old $\begin{matrix} \leftarrow \text{No} \\ \text{Yes} \rightarrow \end{matrix}$ New	New Part is not interchangeable for Old Part but Old Part is interchangeable for New Part.
R	Old $\begin{matrix} \leftarrow \text{Yes} \\ \text{Yes} \rightarrow \end{matrix}$ New	New/ Old Parts are both interchangeable.
S	Old $\begin{matrix} \leftarrow \text{No} \\ \text{No} \rightarrow \end{matrix}$ New	New/ Old Parts are both not interchangeable.
W		Part newly added.
Z		Part discontinued.
F		Not interchangeable by a single part but interchangeable together with related parts.
K		Changes only for used parts quantities.

④ Effective Machine No.

When a part changes, the effective Machine No. will be indicated in the (A)-(F) column.

Product Symbol	Product No.	Product Symbol	Product No.
C	Clutch No. Compressor No.	F	Machine No. (Agricultural Equip.)
D	Drive No.	M	Machine No.
E	Engine No.		

Note 1) A date may follow the symbol. (Ex.) 1996.01

Note 2) "XXXXX" and "ZZZZZ" are for parts that could not be predicted or for engine models that could not be identified.

Note 3) (A=E00185) is the E (Engine Serial Number) for the column (A) model (in this case 4JH-DT) after the parts design change.

⑤ Remarks

Figures or alphabets (symbols) are entered in the remarks column.

The comments (remarks) on parts that are indicated at the bottom of the illustration are the same symbols as those stated above.

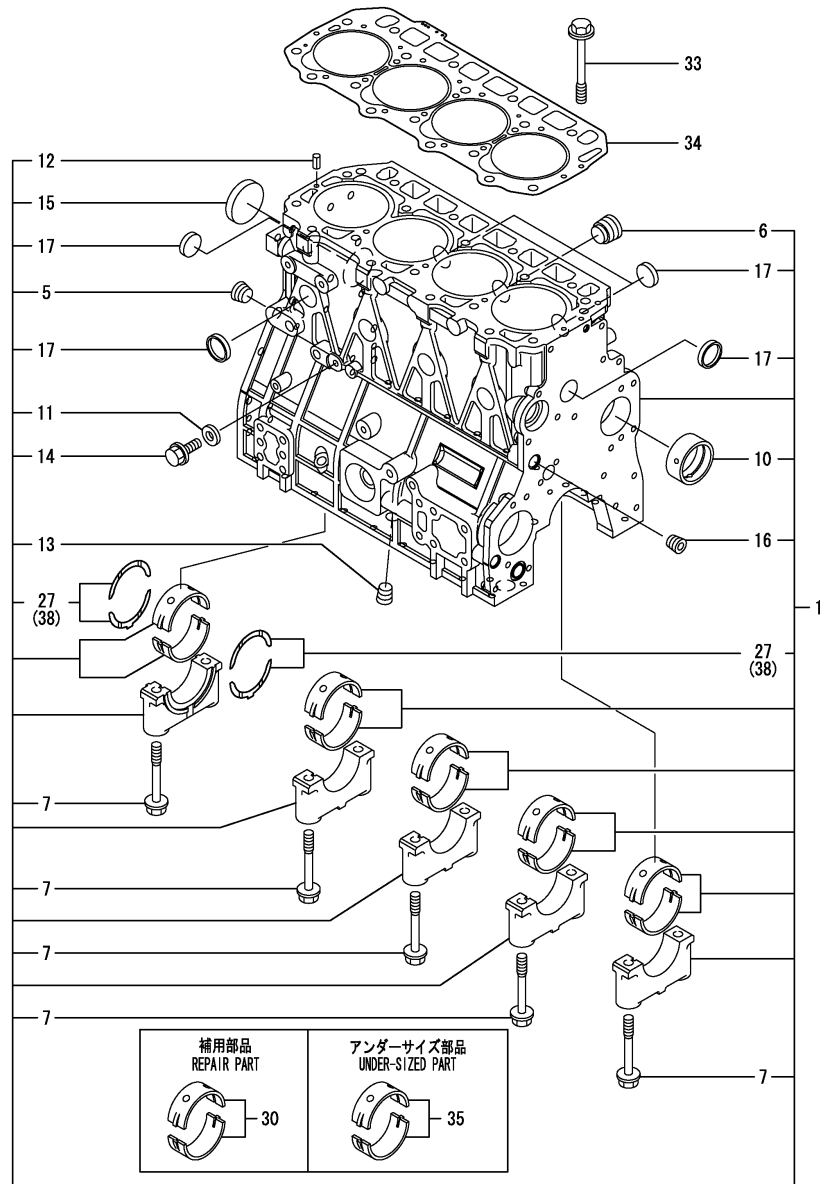
Fig. No. Fig. Name

4TNE98-BQCKS

1. CYLINDER BLOCK
2. GEAR HOUSING
3. FLYWHEEL HOUSING & OIL SUMP
4. CYLINDER HEAD & BONNET
5. SUCTION & EXHAUST MANIFOLD
6. CAMSHAFT & DRIVING GEAR
7. CRANKSHAFT & PISTON
8. LUB.OIL SYSTEM
9. COOLING WATER SYSTEM
10. FUEL INJECTION PUMP
11. FUEL INJECTION VALVE
12. FUEL FILTER
13. GENERATOR
15. (13A)GENERATOR
14. GASKET SET

Fig. No. Fig. Name

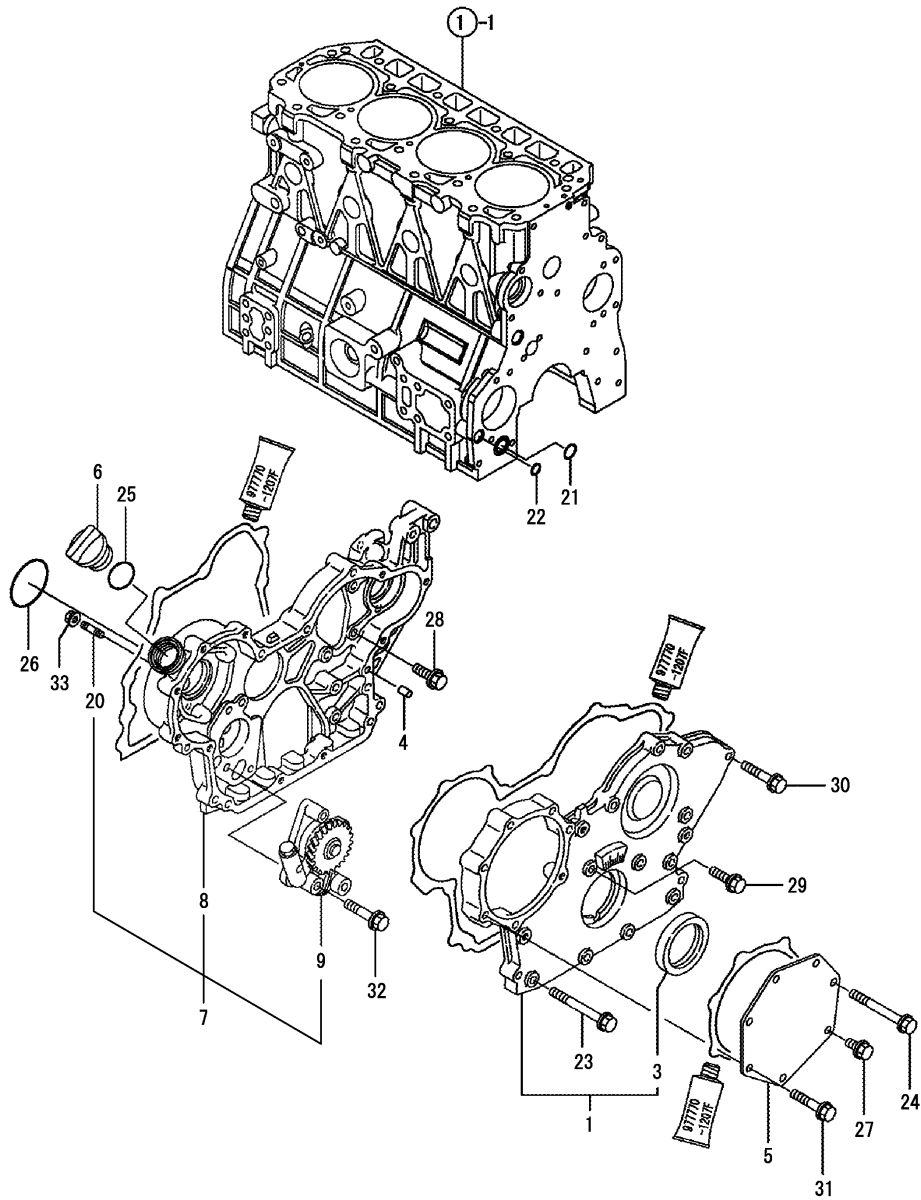




No.	Lev.	Parts No.	Description	Q'ty						I	R
				(A)	(B)	(C)	(D)	(E)	(F)		
1	1	729903-01560	BLOCK ASSY, CYLINDER	1							
5	2	23876-030000	PLUG, R03	1							
6	2	171051-01921	PLUG, NPTF1	1							
7	2	129900-02020	BOLT, METAL CAP	10							
10	2	129900-02410	BUSH, CAMSHAFT	1							
11	2	22190-080002	WASHER, SEAL 6	1							
12	2	22351-060012	PIN, SPRING 6.0X12	2							
13	2	23876-030000	PLUG, R03	1							
14	2	26106-080122	BOLT, M8X 12 PLATED	1							
15	2	129900-01250	PLUG, 55	1							
16	2	23876-030000	PLUG, R03	1							
17	2	27241-300000	PLUG 30	8							
27	2	129900-02931	BEARING, THRUST	2							
30	1	729900-02801	BEARING, MAIN	5							3
33	1	129900-01200	BOLT, HEAD	18							
34	1	129903-01350	GASKET, HEAD T=1.2	1							
35	1	129900-02341	BEARING, 0.25 US	5							1
38	1	129900-02941	BEARING, THRUST 0.25	2							2

Remarks

- (1) UNDER-SIZED(U.S=0.25)PART.
- (2) OVER-SIZED(O.S=0.25)PART.
- (3) REPAIR PART.



(A)=4TNE98-BQCKS

(B)=

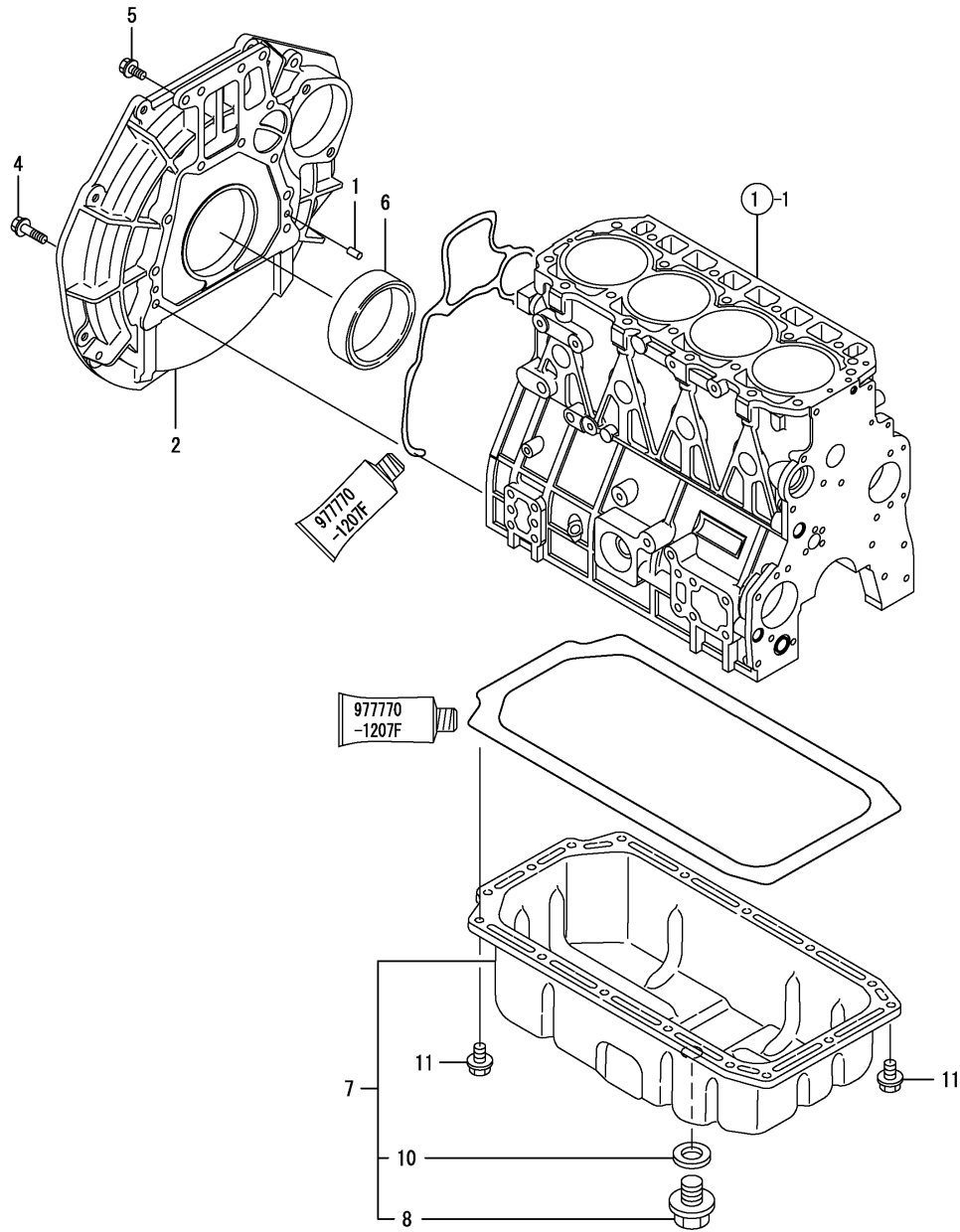
(C)=

(D)=

(E)=

(F)=

No.	Lev.	Parts No.	Description	Q'ty						I	R
				(A)	(B)	(C)	(D)	(E)	(F)		
1	1	729900-01500	COVER ASSY,GEAR CASE	1							
3	2	129916-01800	SEAL, OIL	1							
4	1	129100-01580	PIN, M8X16	4							
5	1	129951-01740	COVER	1							
6	1	124160-01751	COVER, FILLER	1							
7	1	129930-01820	CASE ASSY, GEAR	1							
8	2	129901-01520	CASE, GEAR	1							
9	2	129900-32001	PUMP ASSY, OIL	1							
20	1	26226-080202	STUD, M8X 20	3							
20-1	2	26226-080302	STUD, M8X 30	3							N
(A=EXXXXX)											
21	1	129900-32030	O-RING, P20	1							
22	1	129900-32040	O-RING, P14	1							
23	1	129001-91810	BOLT, M8X70	6							
24	1	129001-91810	BOLT, M8X70	1							
25	1	24311-000320	O-RING, 1AP32.0	1							
26	1	24341-000500	O-RING, 1AS50.0	1							
27	1	26106-080162	BOLT, M8X 16 PLATED	1							
28	1	26106-080202	BOLT, M8X 20 PLATED	3							
29	1	26106-080302	BOLT, M8X 30 PLATED	1							
30	1	26106-080402	BOLT, M8X 40 PLATED	5							
31	1	26106-080402	BOLT, M8X 40 PLATED	5							
32	1	26106-080452	BOLT, M8X 45 PLATED	3							
33	1	26306-080002	NUT, M8	3							



(A)=4TNE98-BQCKS

(B)=

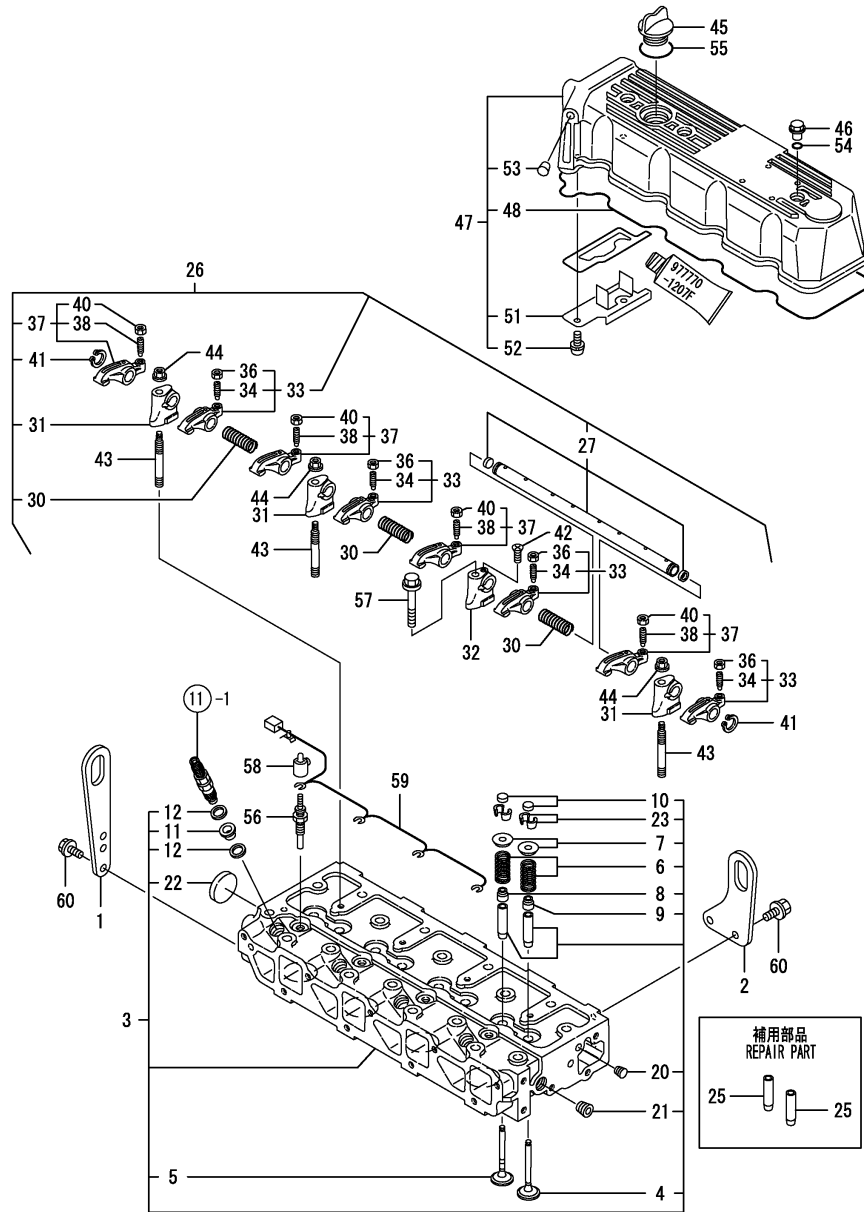
(C)=

(D)=

(E)=

(F)=

No.	Lev.	Parts No.	Description	Qty						I	R
				(A)	(B)	(C)	(D)	(E)	(F)		
1	1	129100-01580	PIN, M8X16	2							
2	1	129916-01630	HOUSING, FLYWHEEL	1							
4	1	26206-100352	BOLT, M10X 35 PLATED	9							
5	1	26206-100202	BOLT, M10X 20 PLATED	4							
6	1	124411-01780	SEAL, HTC95X115X12	1							
7	1	129930-01710	SUMP ASSY, OIL	1							
8	2	119640-01640	PLUG, DRAIN M22	1							
10	2	22190-220002	WASHER, SEAL 22	1							
11	1	26106-080122	BOLT, M8X 12 PLATED	16							



No.	Lev.	Parts No.	Description	Q'ty						I	R
				(A)	(B)	(C)	(D)	(E)	(F)		
1	1	129900-07900	LIFTER	1							
2	1	129910-07910	LIFTER	1							
3	1	129903-11700	HEAD ASSY, CYLINDER	1							
4	2	129900-11100	VALVE, INTAKE	4							
5	2	129900-11110	VALVE, EXHAUST	4							
6	2	129900-11120	SPRING, VALVE	8							
7	2	129795-11180	RETAINER, SPRING	8							
8	2	121400-11340	SEAL, VALVE STEM	4							
9	2	124460-11340	SEAL, VALVE STEM	4							
10	2	129150-11370	CAP, VALVE	8							
11	2	129901-11450	PROTECTOR, NOZZLE	4							
12	2	119600-11460	GASKET, NOZZLE	8							
20	2	23871-005000	PLUG, R005	1							
21	2	23876-030000	PLUG, R03	1							
22	2	27241-400000	PLUG, 40	1							
23	2	27310-080001	COTTER, 8	8							
25	1	129150-11810	GUIDE, VALVE	8							1
26	1	129900-11200	SUPPORT ASSY, ARM	1							
27	2	129900-11240	SHAFT ASSY, ROCKER	1							
30	2	129900-11280	SPRING	3							
31	2	129900-11510	SUPPORT, ROCKER ARM	3							
32	2	129900-11520	SUPPORT, ROCKER ARM	1							
33	2	129900-11650	ARM, ROCKER	4							
34	3	129150-11230	SCREW, VALVE ADJUST	4							
36	3	129150-11750	NUT, M8	4							
37	2	129900-11660	ARM, ROCKER	4							
38	3	129150-11230	SCREW, VALVE ADJUST	4							
40	3	129150-11750	NUT, M8	4							
41	2	22242-000180	RING, 18	2							
42	2	26577-040162	SCREW, M4X16	1							
43	1	129900-11530	STUD	3							
44	1	26306-100002	NUT, M10	3							
45	1	124160-01751	COVER, FILLER	1							
46	1	124160-11360	KNOB	3							
47	1	129900-11370	BONNET ASSY, HEAD	1							
48	2	129900-11310	GASKET, BONNET	1							
51	2	129900-11600	PLATE, BAFFLE	1							
52	2	22857-500100	SCREW, 5X10	2							
53	2	27225-080080	PLUG, 8X 8	1							
54	1	24311-000120	O-RING, 1AP12.0	3							
55	1	24311-000320	O-RING, 1AP32.0	1							
56	1	119717-77800	PLUG, GLOW	4							
57	1	26106-100652	BOLT, M10X 65 PLATED	1							
58	1	119326-77820	COVER	4							
59	1	129931-77820	CONNECTOR, GLOW PLUG	1							
60	1	26106-080162	BOLT, M8X 16 PLATED	4							

Remarks
(1) REPAIR PART.

(A)=4TNE98-BQCKS

(B)=

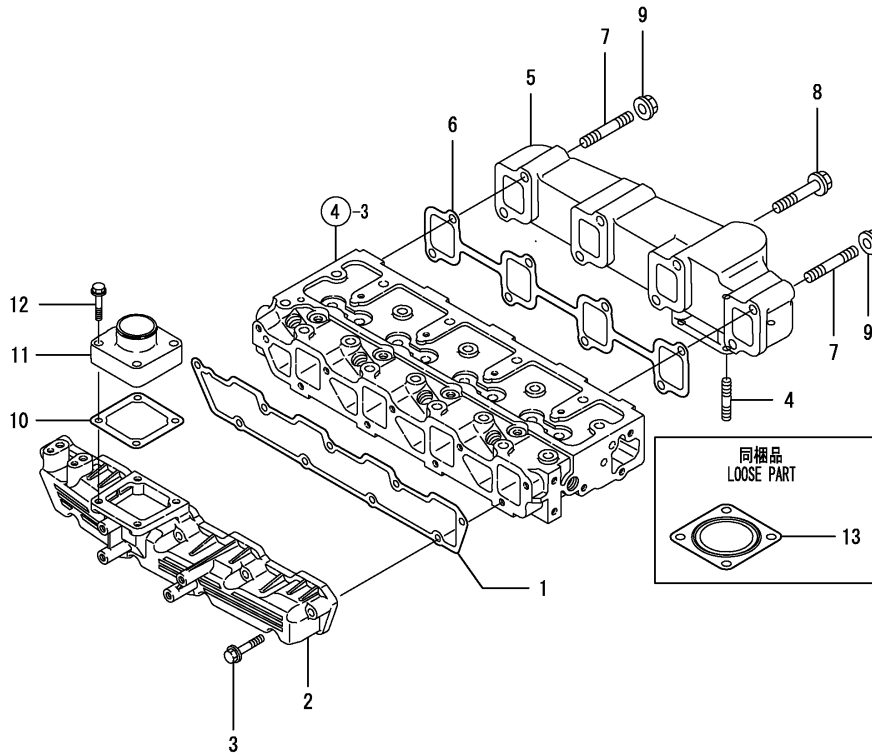
(C)=

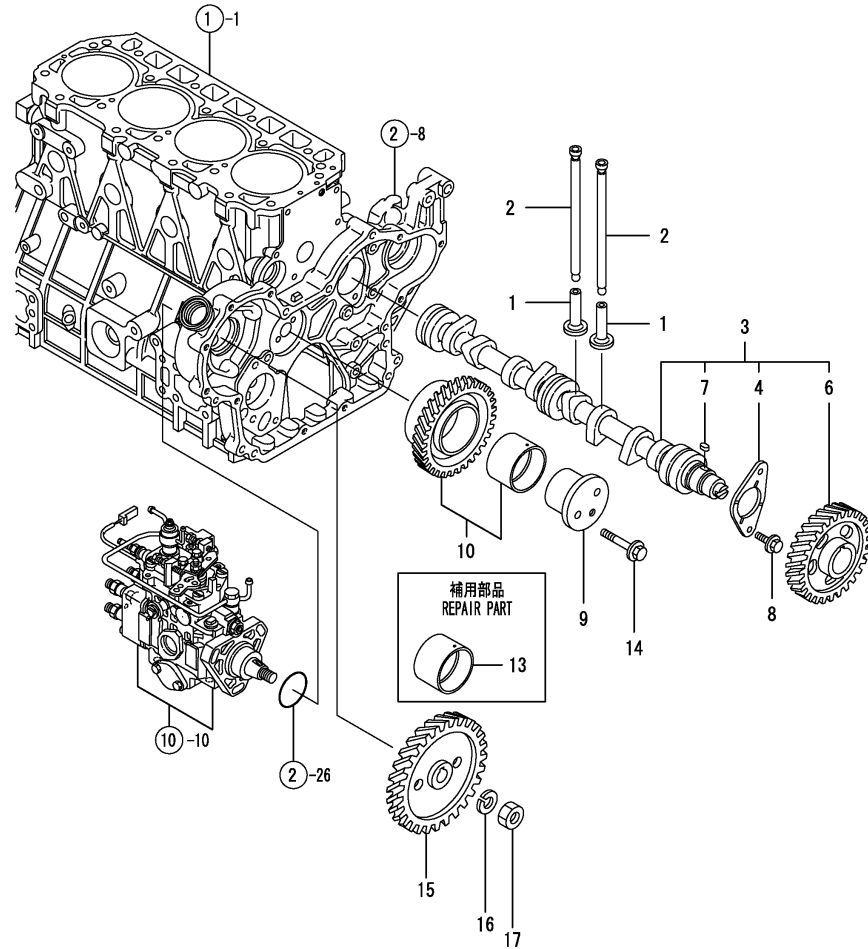
(D)=

(E)=

(F)=

No.	Lev.	Parts No.	Description	Q'ty						I	R
				(A)	(B)	(C)	(D)	(E)	(F)		
1	1	129900-12050	GASKET, MANIFOLD	1							
2	1	129900-12100	MANIFOLD, AIR INTAKE	1							
3	1	26106-080452	BOLT, M8X 45 PLATED	9							
4	1	119107-13190	STUD, M10X30	4							
5	1	129916-13210	MANIFOLD, EXHAUST	1							
6	1	129900-13251	GASKET	1							
7	1	123900-13610	STUD, M8X80	2							
8	1	123900-13630	BOLT, M8X80	6							
9	1	26306-080002	NUT, M8	2							
10	1	121850-77021	GASKET	1							
11	1	121959-12140	JOINT	1							
12	1	26106-080352	BOLT, M8X 35 PLATED	4							
13	1	128300-13230	GASKET, SILENCER	1							





(A)=4TNE98-BQCKS

(B)=

(C)=

(D)=

(E)=

(F)=

No.	Lev.	Parts No.	Description	Q'ty						I	R
				(A)	(B)	(C)	(D)	(E)	(F)		
1	1	129150-14200	TAPPET	8							
2	1	129900-14400	ROD, PUSH	8							
3	1	129900-14580	CAMSHAFT ASSY	1							
4	2	129150-02450	BEARING, THRUST	1							
6	2	129900-14100	GEAR, CAMSHAFT	1							
7	2	22512-070140	KEY, 7X 14	1							
8	1	26106-080162	BOLT, M8X 16 PLATED	2							
9	1	129900-25060	SHAFT, IDLE	1							
10	1	129900-25100	GEAR ASSY, IDLE	1							
13	1	129150-25920	BUSH, IDLE GEAR	1							1
14	1	26106-080552	BOLT, M8X 55 PLATED	2							
15	1	129901-25900	GEAR, PUMP	1							
16	1	22217-140000	WASHER, SPRING 14	1							
17	1	26776-140002	NUT, LOCK M14	1							

Remarks

(1) REPAIR PART.

N:Old $\xrightarrow{\text{Yes}}$ New, Q:Old $\xrightarrow{\text{No}}$ New, R:Old $\xrightarrow{\text{Yes}}$ New, S:Old $\xrightarrow{\text{No}}$ New, W:Add, Z:Discontinued, F:Interchangeable by set, K:Q'ty Change

(A)=4TNE98-BQCKS

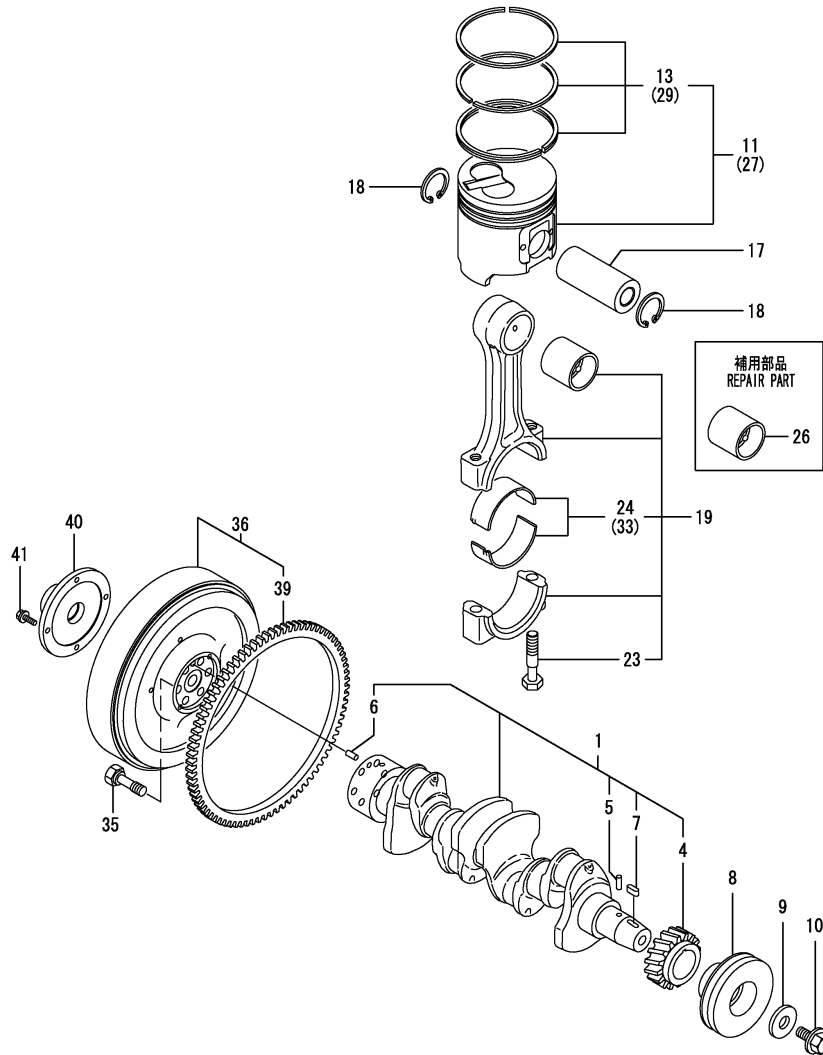
(B)=

(C)=

(D)=

(E)=

(F)=



No.	Lev.	Parts No.	Description	Q'ty						I	R
				(A)	(B)	(C)	(D)	(E)	(F)		
1	1	129902-21000	CRANKSHAFT ASSY	1							
4	2	129900-21200	GEAR, CRANKSHAFT	1							
5	2	121850-21290	PIN	1							
6	2	121850-21920	PIN, M10X22	1							
7	2	22512-070140	KEY, 7X 14	1							
8	1	129907-21660	V-PULLEY, 130	1							
9	1	129900-21640	WASHER	1							
10	1	121850-21680	BOLT	1							
11	1	129903-22120	PISTON ASSY, IDI	4							
13	2	129903-22050	RING SET, PISTON	4							
17	1	120130-22301	PIN, PISTON	4							
18	1	22252-000300	RING, 30	8							
19	1	129900-23001	ROD ASSY, CONNECTING	4							
23	2	129900-23200	BOLT, CONNECTING ROD	8							
24	2	129900-23601	BEARING, CRANK PIN	4							
26	1	129900-23911	BEARING, PISTON PIN	4							1
27	1	129903-22940	PISTON ASSY, 0.25 OS	4							2
29	2	129903-22950	RING SET, 0.25 OS	4							2
33	1	129900-23611	BEARING, 0.25 US	4							3
35	1	121850-21130	BOLT, FLYWHEEL	6							
36	1	129916-21570	FLYWHEEL ASSY	1							
39	2	129900-21600	GEAR, RING	1							
40	1	129916-21460	FLANGE	1							
41	1	26106-080222	BOLT, M8X 22 PLATED	4							

Remarks

- (1) REPAIR PART.
- (2) OVER-SIZE(O.S=0.25)PART.
- (3) UNDER-SIZE(U.S=0.25)PART.

(A)=4TNE98-BQCKS

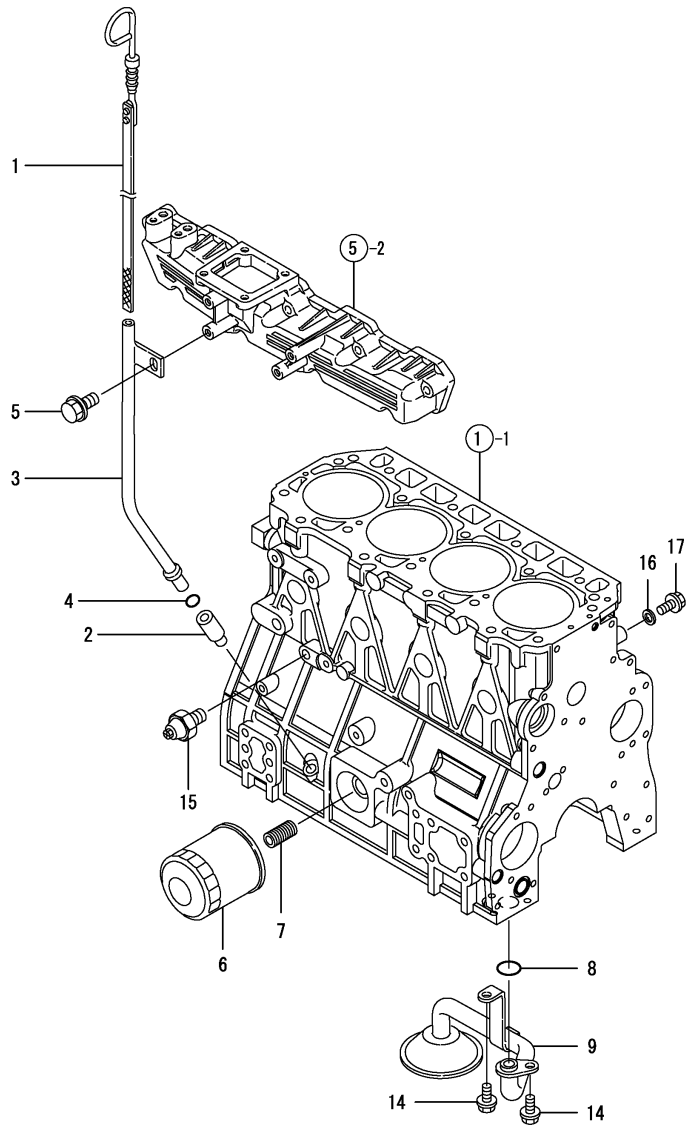
(B)=

(C)=

(D)=

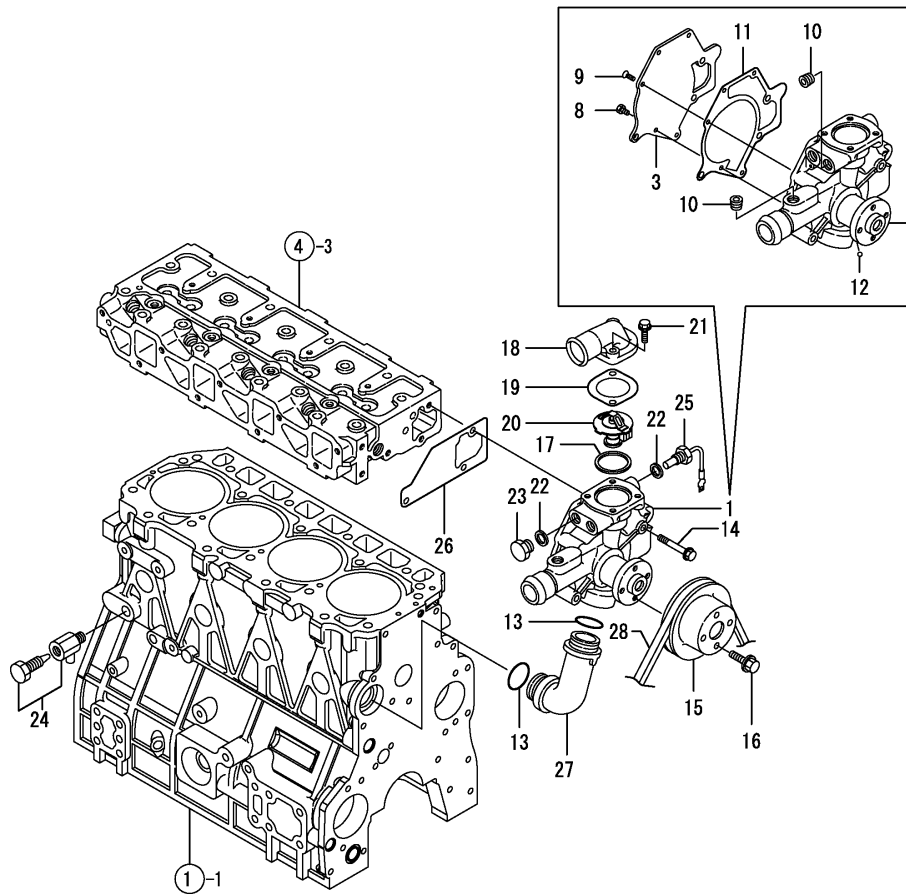
(E)=

(F)=



No.	Lev.	Parts No.	Description	Q'ty						I	R
				(A)	(B)	(C)	(D)	(E)	(F)		
1	1	129930-34800	DIPSTICK, OIL	1							
2	1	119260-34810	GUIDE, DIPSTICK	1							
3	1	129930-34810	GUIDE, DIPSTICK	1							
4	1	24311-240100	O-RING, 1AP10A	1							
5	1	26106-080162	BOLT, M8X 16 PLATED	1							
6	1	119005-35151	FILTER, D80X100L	1							1
7	1	119000-35140	BOLT, FILTER	1							
8	1	129900-32030	O-RING, P20	1							
9	1	129930-35000	PIPE ASSY, OIL INLET	1							
14	1	26106-080122	BOLT, M8X 12 PLATED	2							
15	1	121252-39450	SWITCH, 0.5KG	1							
16	1	22190-080002	WASHER, SEAL 6	1							
17	1	26106-080122	BOLT, M8X 12 PLATED	1							

Remarks
(1) REPAIR PART.



(A)=4TNE98-BQCKS

(B)=

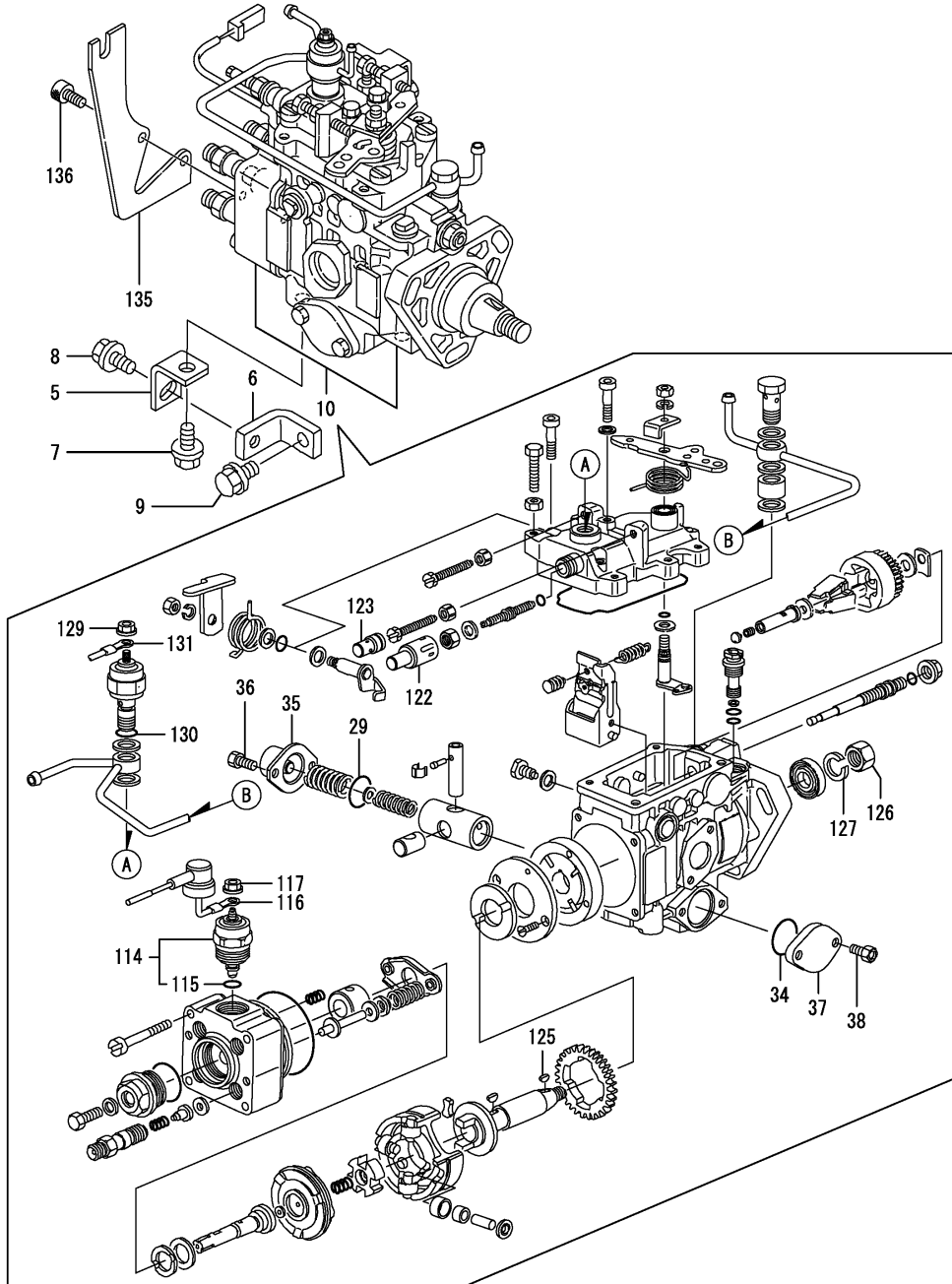
(C)=

(D)=

(E)=

(F)=

No.	Lev.	Parts No.	Description	Q'ty						I	R
				(A)	(B)	(C)	(D)	(E)	(F)		
1	1	129900-42055	PUMP ASSY, WATER	1							
3	2	129900-42161	COVER	1							
8	2	26116-060162	BOLT, M6X 16 PLATED	2							
9	2	26577-060152	SCREW, M6X15	3							
10	2	23876-030000	PLUG, R03	2							
11	2	129900-42170	GASKET	1							
12	2	24190-080001	BALL, STEEL 1/4	1							
13	1	129900-42140	O-RING, P36	2							
14	1	26106-080552	BOLT, M8X 55 PLATED	3							
15	1	129900-42461	V-PULLEY	1							
16	1	26106-080102	BOLT, M8X 10 PLATED	4							
17	1	121850-49550	GASKET, THERMOSTAT	1							
18	1	129900-49551	COVER, THERMOSTAT	1							
19	1	129900-49560	GASKET	1							
20	1	121850-49800	THERMOSTAT, 82	1							
21	1	26106-080252	BOLT, M8X 25 PLATED	2							
22	1	124465-44950	GASKET, 16	2							
23	1	121450-42450	PLUG, M16	1							
24	1	119620-49290	COCK ASSY, 1/4	1							
25	1	129107-44901	SENSOR	1							
26	1	129900-42061	GASKET, WATER PUMP	1							
27	1	129900-42070	PIPE, WATER	1							
28	1	25152-004500	V-BELT, A45	1							



(A)=4TNE98-BQCKS

(B)=

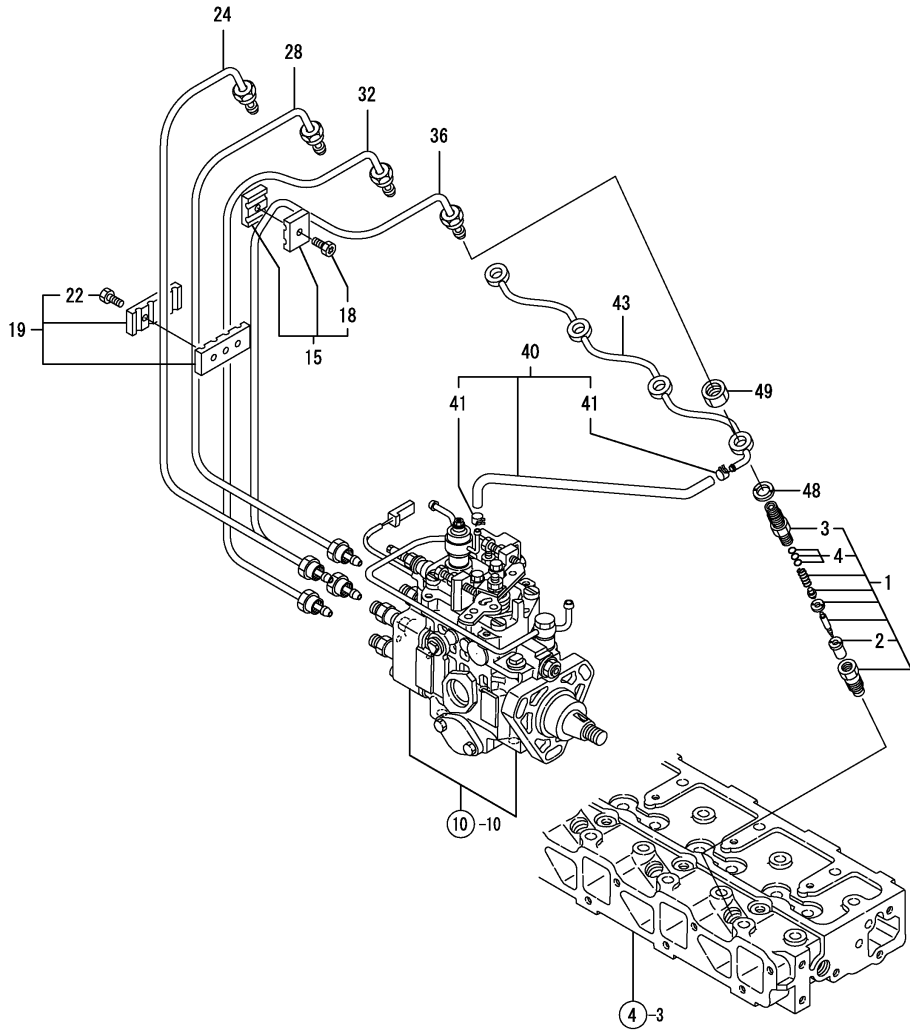
(C)=

(D)=

(E)=

(F)=

No.	Lev.	Parts No.	Description	Q'ty						I	R
				(A)	(B)	(C)	(D)	(E)	(F)		
5	1	129904-01950	RETAINER	1							
6	1	129901-01960	STAY	1							
7	1	26106-100142	BOLT, M10X 14 PLATED	1							
8	1	26106-100162	BOLT, M10X 16 PLATED	1							
9	1	26106-100202	BOLT, M10X 20 PLATED	1							
10	1	129919-51500	PUMP ASSY, INJECTION	1							
29	2	X1466000800	O-RING	1							
34	2	X1466000800	O-RING	1							
35	2	X1463104020	COVER	1							
36	2	X1466205000	BOLT	2							
37	2	X1463105100	COVER	1							
38	2	X1466205000	BOLT	2							
114	2	X1466501220	VALVE	1							
115	3	X1466001700	O-RING	1							
116	2	X1466584820	WIRE	1							
117	2	X1466214901	NUT	1							
122	2	X1465981000	CAP	1							
123	2	X0299985720	CAP	1							
125	2	X0294704030	KEY	1							
126	2	X0131214140	NUT	1							
127	2	X0293214050	WASHER	1							
129	2	X1466214901	NUT	1							
130	2	X1466005000	O-RING	1							
131	2	X1466629920	WIRE	1							
135	1	129930-67010	BRACKET	1							
136	1	26450-060252	BOLT, M6X 25	2							



(A)=4TNE98-BQCKS

(B)=

(C)=

(D)=

(E)=

(F)=

No.	Lev.	Parts No.	Description	Q'ty						I	R
				(A)	(B)	(C)	(D)	(E)	(F)		
1	1	129931-53000	VALVE ASSY,INJECTION	4							
2	2	119717-53010	VALVE ASSY,INJECTION	4							
3	2	129901-53020	HOLDER, NOZZLE	4							
4	2	129901-53800	SHIM SET, ADJUSTING	4							1
15	1	119305-59120	RETAINER, PIPE	2							
18	2	129150-59131	BOLT, M4X14	2							
19	1	129550-59120	RETAINER, PIPE	1							
22	2	129150-59131	BOLT, M4X14	2							
24	1	129901-59810	PIPE ASSY, INJECTION	1							
28	1	129901-59820	PIPE ASSY, INJECTION	1							
32	1	129901-59830	PIPE ASSY, INJECTION	1							
36	1	129901-59840	PIPE ASSY, INJECTION	1							
40	1	105225-59500	PIPE ASSY, RETURN	1							
41	2	124066-59100	CLIP, HOSE 8	2							
43	1	129901-59510	PIPE ASSY, RETURN	1							
48	1	129901-59560	GASKET	4							
49	1	119620-59700	NUT, NOZZLE	4							

Remarks

(1) REPAIR PART.

(A)=4TNE98-BQCKS

(B)=

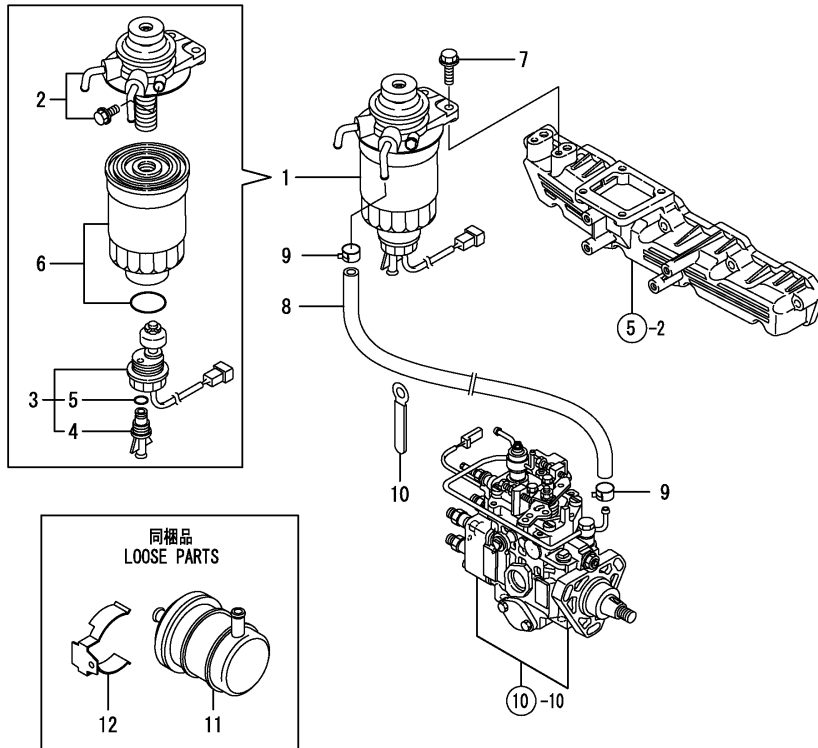
(C)=

(D)=

(E)=

(F)=

No.	Lev.	Parts No.	Description	Q'ty						I	R
				(A)	(B)	(C)	(D)	(E)	(F)		
1	1	129917-55801	FILTER ASSY, FUEL	1							
2	2	129917-55810	BODY	1							
3	2	129917-55821	SENSOR ASSY	1							
4	3	129917-55830	PLUG, DRAIN	1							
5	3	129917-55840	O-RING	1							
6	2	129917-55850	ELEMENT KIT	1							
7	1	26106-080252	BOLT, M8X 25 PLATED	2							
8	1	129901-59500	PIPE, FUEL D13X655	1							
9	1	23000-013000	CLAMP, 13	2							
10	1	105430-67110	CLAMP, CORD	2							
11	1	198072-04320	CLAMP, FILTER	1							
12	1	129052-55630	FILTER, FUEL	1							



(A)=4TNE98-BQCKS

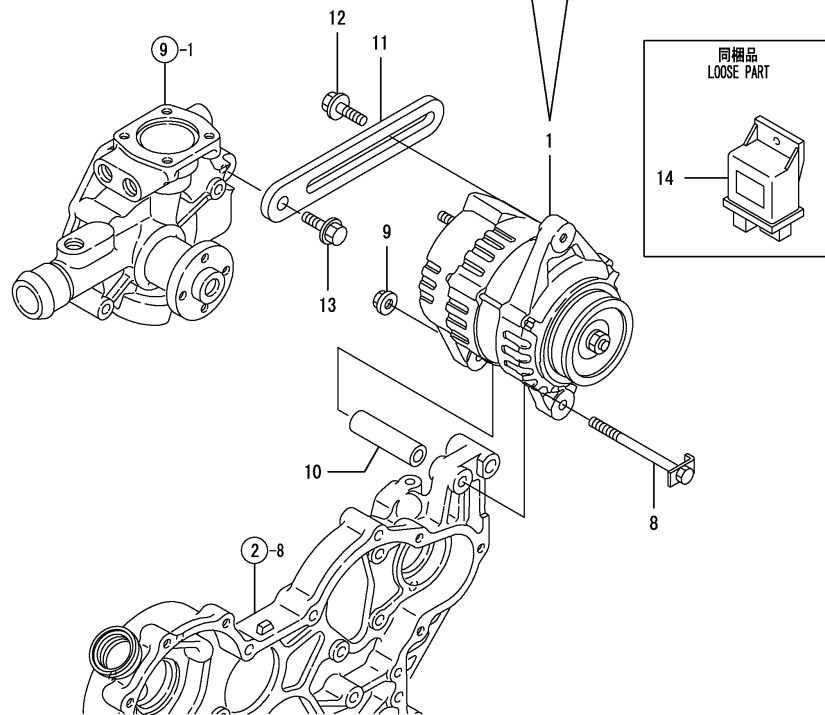
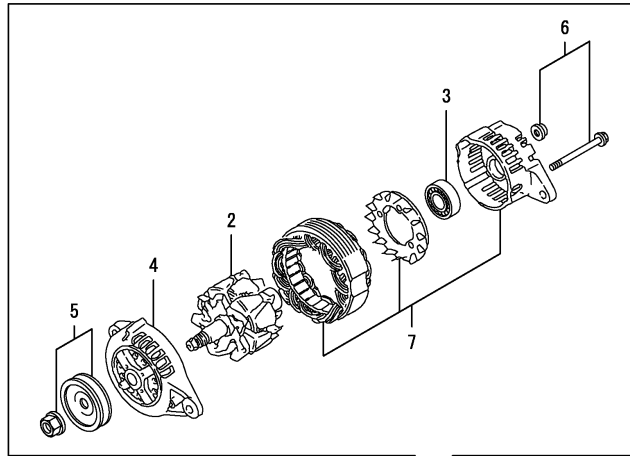
(B)=

(C)=

(D)=

(E)=

(F)=



No.	Lev.	Parts No.	Description	Q'ty						I	R
				(A)	(B)	(C)	(D)	(E)	(F)		
1	1	129930-77212	GENERATOR	1							
2	2	129612-77700	ROTOR ASSY	1							
3	2	129612-77710	BEARING, BALL	1							
4	2	129612-77730	BRACKET ASSY, FILTER	1							
5	2	129930-77740	PULLEY	1							
6	2	129612-77750	SCREW KIT	1							
7	2	129930-77930	BRACKET ASSY	1							
8	1	129136-77251	BOLT, M8X110	1							
9	1	129612-77260	NUT, ALTERNATOR	1							
10	1	129150-77340	SPACER	1							
11	1	129900-77330	ADJUSTER	1							
12	1	119810-77340	BOLT, ADJUSTER	1							
13	1	26014-080252	BOLT, M8X 25	1							
14	1	129930-77970	CONTROLLER	1							

Remarks

*This item is applicable to [(A)=EZZZZZ-1] or previous machines. Refer to Fig.15.

(A)=4TNE98-BQCKS

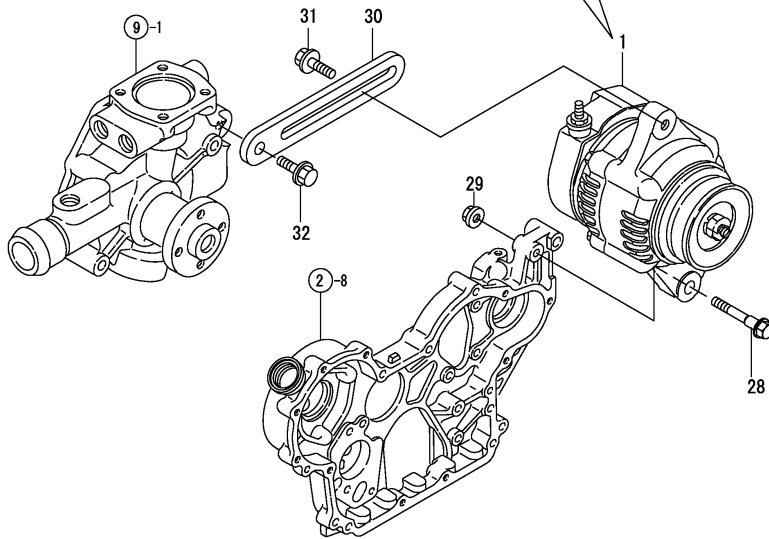
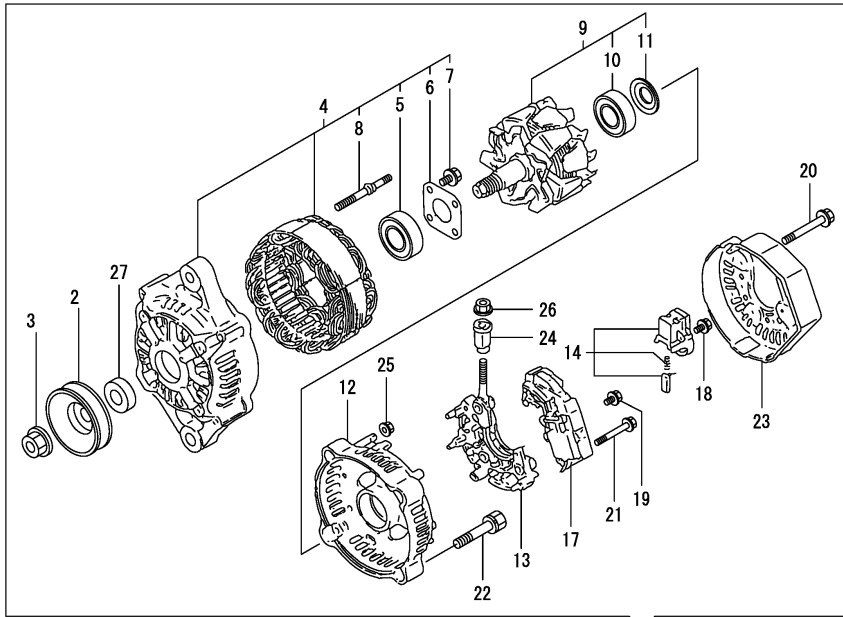
(B)=

(C)=

(D)=

(E)=

(F)=



No.	Lev.	Parts No.	Description	Q'ty						I	R
				(A)	(B)	(C)	(D)	(E)	(F)		
1	1	129961-77200	GENERATOR, 12V-55A	1							
2	2	119620-77461	PULLEY	1							
3	2	119620-77471	NUT	1							
4	2	129961-77421	FRAME ASSY	1							
5	3	119620-79200	BEARING, BALL	1							
6	3	119620-79210	PLATE, RETAINER	1							
7	3	119620-79220	SCREW	4							
8	3	119620-79230	STUD	2							
9	2	129052-77380	ROTOR ASSY	1							
10	3	123501-79240	BEARING, BALL	1							
11	3	119620-79250	COVER	1							
12	2	128401-77440	FRAME	1							
13	2	129052-79260	HOLDER	1							
14	2	129052-79270	HOLDER, BRUSH	1							
17	2	119620-77710	REGULATOR ASSY	1							
18	2	119620-79290	SCREW	6							
19	2	119620-79300	SCREW	1							
20	2	119620-79310	BOLT	3							
21	2	119620-79320	SCREW	2							
22	2	119620-79330	BOLT	2							
23	2	128401-77450	COVER	1							
24	2	119620-79340	BUSH, INSULATION	1							
25	2	119620-79350	NUT	2							
26	2	X9490561001	NUT	1							
27	2	119620-77490	COLLAR	1							
28	1	129960-77250	BOLT, GENERATOR	1							
29	1	129612-77260	NUT, ALTERNATOR	1							
30	1	129900-77330	ADJUSTER	1							
31	1	119810-77340	BOLT, ADJUSTER	1							
32	1	26014-080252	BOLT, M8X 25	1							

Remarks

*This item is applicable to [(A)=EZZZZ] or following machines. Refer to Fig.13.

(A)=4TNE98-BQCKS

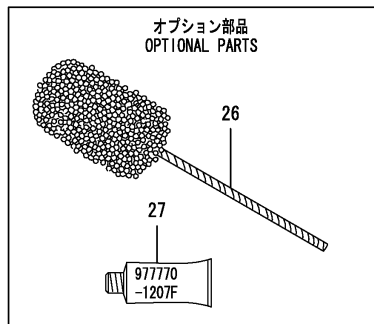
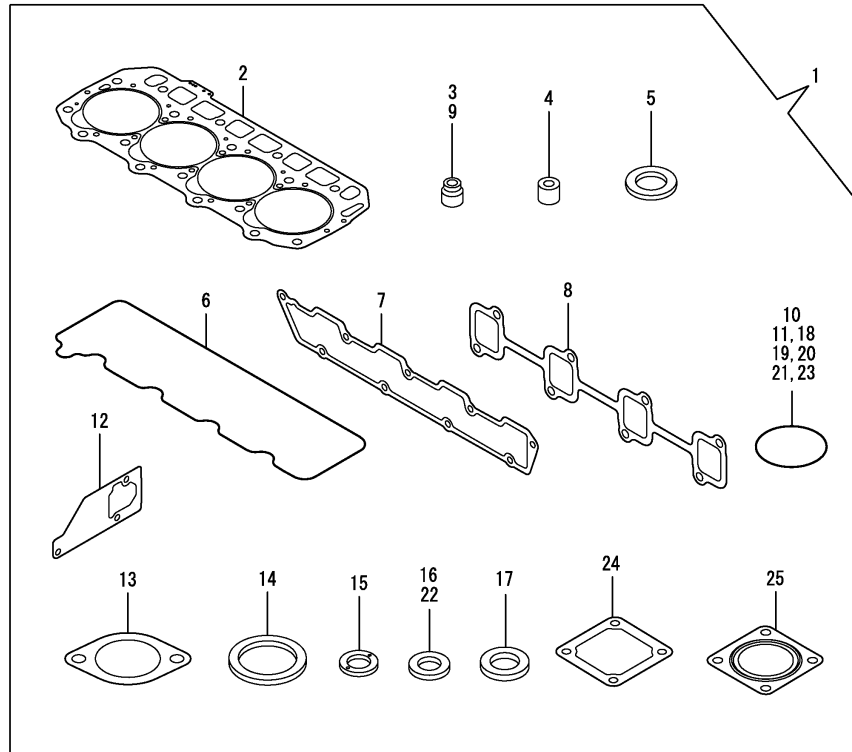
(B)=

(C)=

(D)=

(E)=

(F)=



No.	Lev.	Parts No.	Description	Q'ty						I	R
				(A)	(B)	(C)	(D)	(E)	(F)		
1	1	729903-92770	GASKET SET	1							1
2	2	129903-01350	GASKET, HEAD T=1.2	1							
3	2	124460-11340	SEAL, VALVE STEM	4							
4	2	129901-11450	PROTECTOR, NOZZLE	4							
5	2	119600-11460	GASKET, NOZZLE	8							
6	2	129900-11310	GASKET, BONNET	1							
7	2	129900-12050	GASKET, MANIFOLD	1							
8	2	129900-13251	GASKET	1							
9	2	121400-11340	SEAL, VALVE STEM	4							
10	2	129900-32030	O-RING, P20	2							
11	2	129900-32040	O-RING, P14	1							
12	2	129900-42061	GASKET, WATER PUMP	1							
13	2	129900-49560	GASKET	1							
14	2	121850-49550	GASKET, THERMOSTAT	1							
15	2	129901-59560	GASKET	4							
16	2	22190-220002	WASHER, SEAL 22	1							
17	2	124465-44950	GASKET, 16	2							
18	2	24311-240100	O-RING, 1AP10A	1							
19	2	24311-000120	O-RING, 1AP12.0	3							
20	2	24311-000320	O-RING, 1AP32.0	2							
21	2	24341-000500	O-RING, 1AS50.0	1							
22	2	22190-080002	WASHER, SEAL 6	1							
23	2	129900-42140	O-RING, P36	2							
24	2	121850-77021	GASKET	1							
25	2	128300-13230	GASKET, SILENCER	1							
26	1	129400-92450	HONE	1							1
27	1	977770-1207F	GASKET.LIQUID	1							1

Remarks

(1) OPTIONAL PARTS.



Parts No. Index

Parts No.	Fig. No.	Ref. No.
105225-59500	11	40
105430-67110	12	10
119000-35140	8	7
119005-35151	8	6
119107-13190	5	4
119260-34810	8	2
119305-59120	11	15
119326-77820	4	58
119600-11460	4	12
	14	5
119620-49290	9	24
119620-59700	11	49
119620-77461	15	2
119620-77471	15	3
119620-77490	15	27
119620-77710	15	17
119620-79200	15	5
119620-79210	15	6
119620-79220	15	7
119620-79230	15	8
119620-79250	15	11
119620-79290	15	18
119620-79300	15	19
119620-79310	15	20
119620-79320	15	21
119620-79330	15	22
119620-79340	15	24
119620-79350	15	25
119640-01640	3	8
119717-53010	11	2
119717-77800	4	56
119810-77340	13	12
	15	31
120130-22301	7	17
121252-39450	8	15
121400-11340	4	8
	14	9
121450-42450	9	23
121850-21130	7	35
121850-21290	7	5
121850-21680	7	10
121850-21920	7	6
121850-49550	9	17
	14	14
121850-49800	9	20
121850-77021	5	10
	14	24
121959-12140	5	11
123501-79240	15	10
123900-13610	5	7

Parts No.	Fig. No.	Ref. No.
123900-13630	5	8
124066-59100	11	41
124160-01751	2	6
	4	45
124160-11360	4	46
124411-01780	3	6
124460-11340	4	9
	14	3
124465-44950	9	22
	14	17
128300-13230	5	13
	14	25
128401-77440	15	12
128401-77450	15	23
129001-91810	2	23
		24
129052-55630	12	12
129052-77380	15	9
129052-79260	15	13
129052-79270	15	14
129100-01580	2	4
	3	1
129107-44901	9	25
129136-77251	13	8
129150-02450	6	4
129150-11230	4	34
		38
129150-11370	4	10
129150-11750	4	36
		40
129150-11810	4	25
129150-14200	6	1
129150-25920	6	13
129150-59131	11	18
		22
129150-77340	13	10
129400-92450	14	26
129550-59120	11	19
129612-77260	13	9
	15	29
129612-77700	13	2
129612-77710	13	3
129612-77730	13	4
129612-77750	13	6
129795-11180	4	7
129900-01200	1	33
129900-01250	1	15
129900-02020	1	7
129900-02341	1	35
129900-02410	1	10

Parts No.	Fig. No.	Ref. No.
129900-02931	1	27
129900-02941	1	38
129900-07900	4	1
129900-11100	4	4
129900-11110	4	5
129900-11120	4	6
129900-11200	4	26
129900-11240	4	27
129900-11280	4	30
129900-11310	4	48
	14	6
129900-11370	4	47
129900-11510	4	31
129900-11520	4	32
129900-11530	4	43
129900-11600	4	51
129900-11650	4	33
129900-11660	4	37
129900-12050	5	1
	14	7
129900-12100	5	2
129900-13251	5	6
	14	8
129900-14100	6	6
129900-14400	6	2
129900-14580	6	3
129900-21200	7	4
129900-21600	7	39
129900-21640	7	9
129900-23001	7	19
129900-23200	7	23
129900-23601	7	24
129900-23611	7	33
129900-23911	7	26
129900-25060	6	9
129900-25100	6	10
129900-32001	2	9
129900-32030	2	21
	8	8
	14	10
129900-32040	2	22
	14	11
129900-42055	9	1
129900-42061	9	26
	14	12
129900-42070	9	27
129900-42140	9	13
	14	23
129900-42161	9	3
129900-42170	9	11

Parts No.	Fig. No.	Ref. No.
129900-42461	9	15
129900-49551	9	18
129900-49560	9	19
	14	13
129900-77330	13	11
	15	30
129901-01520	2	8
129901-01960	10	6
129901-11450	4	11
	14	4
129901-25900	6	15
129901-53020	11	3
129901-53800	11	4
129901-59500	12	8
129901-59510	11	43
129901-59560	11	48
	14	15
129901-59810	11	24
129901-59820	11	28
129901-59830	11	32
129901-59840	11	36
129902-21000	7	1
129903-01350	1	34
	14	2
129903-11700	4	3
129903-22050	7	13
129903-22120	7	11
129903-22940	7	27
129903-22950	7	29
129904-01950	10	5
129907-21660	7	8
129910-07910	4	2
129916-01630	3	2
129916-01800	2	3
129916-13210	5	5
129916-21460	7	40
129916-21570	7	36
129917-55801	12	1
129917-55810	12	2
129917-55821	12	3
129917-55830	12	4
129917-55840	12	5
129917-55850	12	6
129919-51500	10	10
129930-01710	3	7
129930-01820	2	7
129930-34800	8	1
129930-34810	8	3
129930-35000	8	9
129930-67010	10	135



Parts No. Index

Parts No.	Fig. No.	Ref. No.
129930-77212	13	1
129930-77740	13	5
129930-77930	13	7
129930-77970	13	14
129931-53000	11	1
129931-77820	4	59
129951-01740	2	5
129960-77250	15	28
129961-77200	15	1
129961-77421	15	4
171051-01921	1	6
198072-04320	12	11
22190-080002	1	11
	8	16
	14	22
22190-220002	3	10
	14	16
22217-140000	6	16
22242-000180	4	41
22252-000300	7	18
22351-060012	1	12
22512-070140	6	7
	7	7
22857-500100	4	52
23000-013000	12	9
23871-005000	4	20
23876-030000	1	5
		13
		16
	4	21
	9	10
24190-080001	9	12
24311-000120	4	54
	14	19
24311-000320	2	25
	4	55
	14	20
24311-240100	8	4
	14	18
24341-000500	2	26
	14	21
25152-004500	9	28
26014-080252	13	13
	15	32
26106-080102	9	16
26106-080122	1	14
	3	11
	8	14
		17
26106-080162	2	27

Parts No.	Fig. No.	Ref. No.
26106-080162	4	60
	6	8
	8	5
26106-080202	2	28
26106-080222	7	41
26106-080252	9	21
	12	7
26106-080302	2	29
26106-080352	5	12
26106-080402	2	30
		31
26106-080452	2	32
	5	3
26106-080552	6	14
	9	14
26106-100142	10	7
26106-100162	10	8
26106-100202	10	9
26106-100652	4	57
26116-060162	9	8
26206-100202	3	5
26206-100352	3	4
26226-080202	2	20
26226-080302	2	20 -1
26306-080002	2	33
	5	9
26306-100002	4	44
26450-060252	10	136
26577-040162	4	42
26577-060152	9	9
26776-140002	6	17
27225-080080	4	53
27241-300000	1	17
27241-400000	4	22
27310-080001	4	23
729900-01500	2	1
729900-02801	1	30
729903-01560	1	1
729903-92770	14	1
977770-1207F	14	27
X0131214140	10	126
X0293214050	10	127
X0294704030	10	125
X0299985720	10	123
X1463104020	10	35
X1463105100	10	37
X1465981000	10	122
X1466000800	10	29
		34
X1466001700	10	115

Parts No.	Fig. No.	Ref. No.
X1466005000	10	130
X1466205000	10	36
		38
X1466214901	10	117
		129
X1466501220	10	114
X1466584820	10	116
X1466629920	10	131
X9490561001	15	26

Parts No.	Fig. No.	Ref. No.
-----------	----------	----------