

0CW10-M28800EN

PREFACE

1. This parts catalog is the 1st edition of 4TNE98-BNMH for NACCO Materials Handling Group, Inc.

Pub.No. : 000Y00W2880

Published : December, 2007

2. Model name

Engine model	Vehicle	Vehicle made by
4TNE98-BNMH	Forklift	NACCO Materials Handling Group, Inc.

Fig. No. Fig. Name

4TNE98-BNMFH

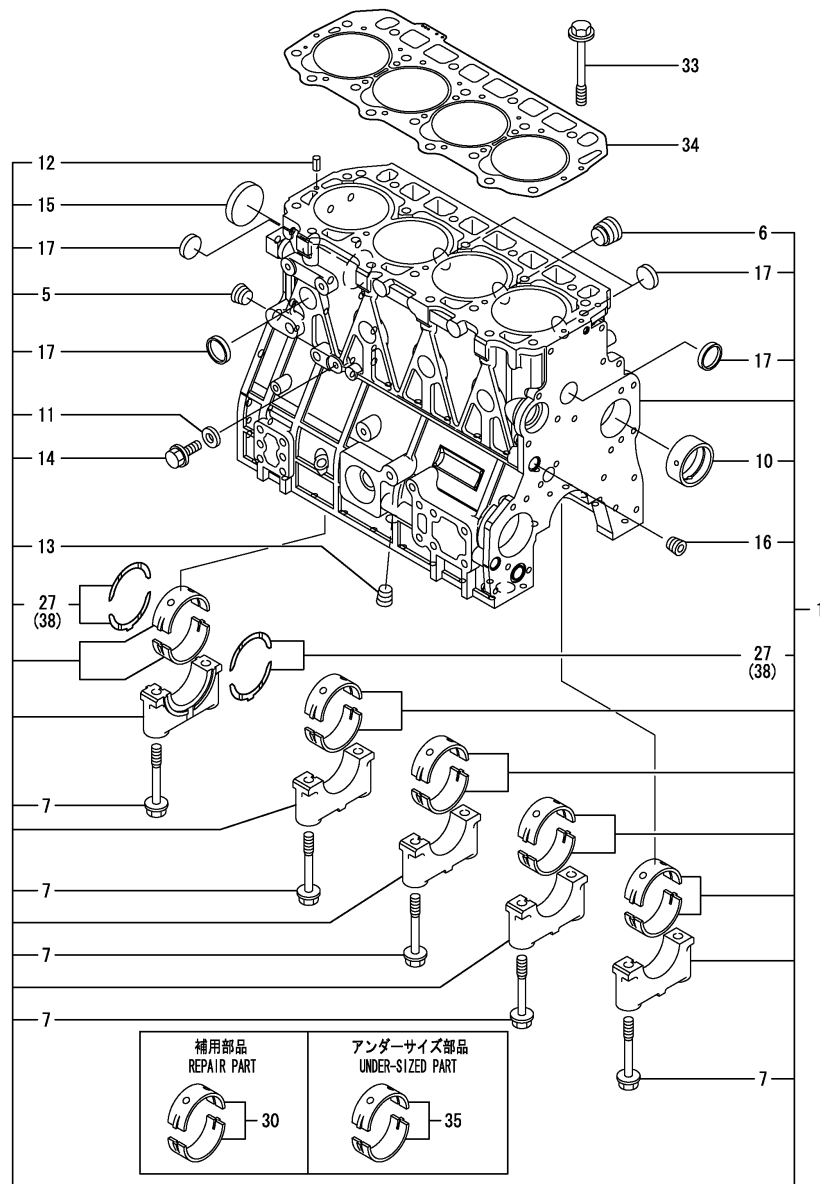
1. CYLINDER BLOCK
2. GEAR HOUSING
3. OIL SUMP
4. CYLINDER HEAD & BONNET
5. SUCTION & EXHAUST MANIFOLD
6. CAMSHAFT & DRIVING GEAR
7. CRANKSHAFT & PISTON
8. LUB.OIL SYSTEM
9. COOLING WATER SYSTEM
10. FUEL INJECTION PUMP
11. FUEL INJECTION VALVE
12. FUEL FILTER
13. STARTING MOTOR
14. GENERATOR
15. GASKET SET

Fig. No. Fig. Name



(A)=4TNE98-BNMH
 (B)=4TNE98-BNMHT
 (C)=4TNE98-BNMHN

(D)=
 (E)=
 (F)=



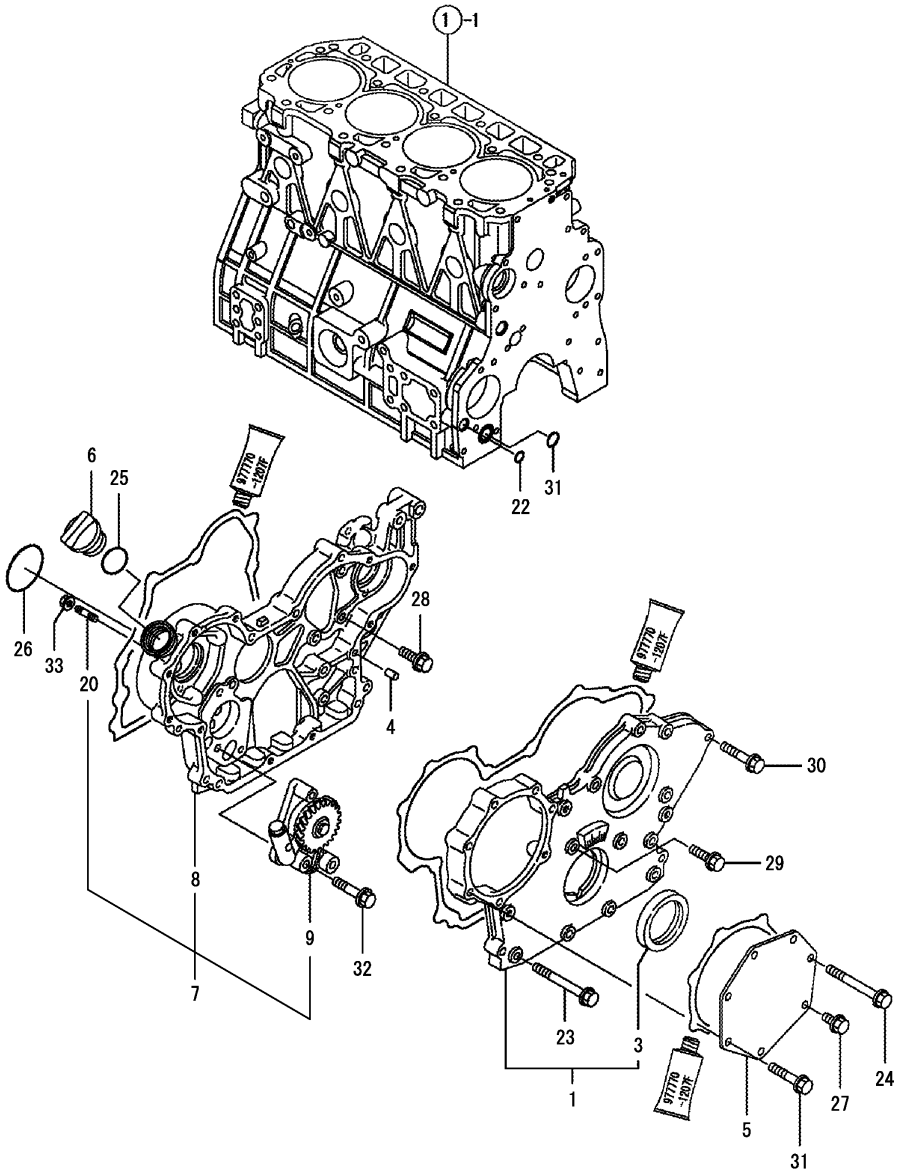
No.	Lev.	Parts No.	Description	Qty						I	R
				(A)	(B)	(C)	(D)	(E)	(F)		
1	1	729903-01570	BLOCK ASSY, CYLINDER	1	1	1					
5	2	23876-030000	PLUG, R03	1	1	1					
6	2	171051-01921	PLUG, NPTF1	1	1	1					
7	2	129900-02020	BOLT, METAL CAP	10	10	10					
10	2	129900-02410	BUSH, CAMSHAFT	1	1	1					
11	2	22190-080002	WASHER, SEAL 6	1	1	1					
12	2	22351-060012	PIN, SPRING 6.0X12	2	2	2					
13	2	23876-030000	PLUG, R03	1	1	1					
14	2	26106-080122	BOLT, M8X 12 PLATED	1	1	1					
15	2	129900-01250	PLUG, 55	1	1	1					
16	2	23876-030000	PLUG, R03	1	1	1					
17	2	27241-300000	PLUG 30	8	8	8					
27	2	129900-02931	BEARING, THRUST	2	2	2					
30	1	729900-02801	BEARING, MAIN	5	5	5					3
33	1	129900-01200	BOLT, HEAD	18	18	18					
34	1	129903-01350	GASKET, HEAD T=1.2	1	1	1					
35	1	129900-02341	BEARING, 0.25 US	5	5	5					1
38	1	129900-02941	BEARING, THRUST 0.25	2	2	2					2

Remarks
 (1) UNDER-SIZED(U.S=0.25)PART.
 (2) OVER-SIZED(O.S=0.25)PART.
 (3) REPAIR PART.

(A)=4TNE98-BNMH
 (B)=4TNE98-BNMHT
 (C)=4TNE98-BNMHN

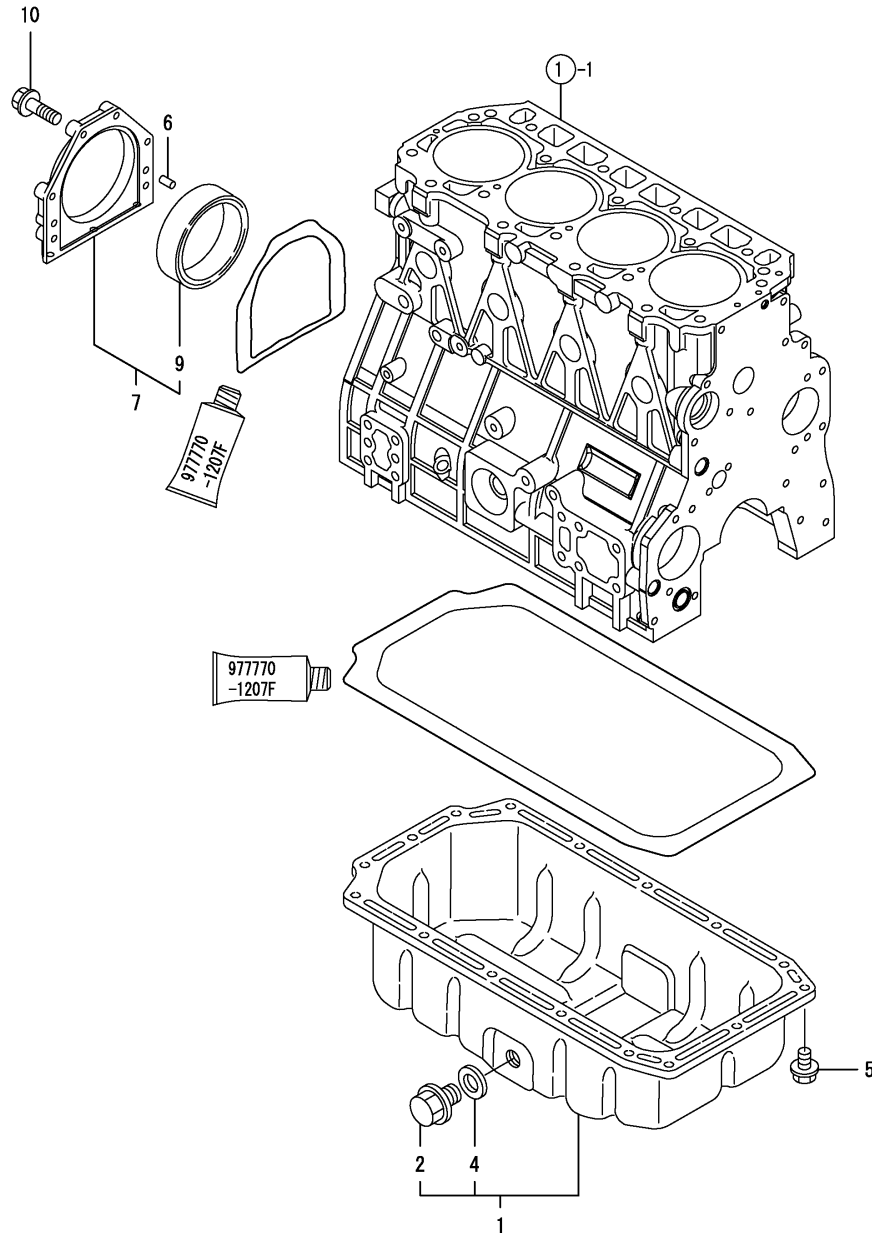
(D)=
 (E)=
 (F)=

No.	Lev.	Parts No.	Description	Q'ty						I	R
				(A)	(B)	(C)	(D)	(E)	(F)		
1	1	729900-01500	COVER ASSY,GEAR CASE	1	1	1					
3	2	129916-01800	SEAL, OIL	1	1	1					
4	1	129100-01580	PIN, M8X16	4	4	4					
5	1	129951-01740	COVER	1	1	1					
6	1	124160-01751	COVER, FILLER	1	1	1					
7	1	129930-01820	CASE ASSY, GEAR	1	1	1					
8	2	129901-01520	CASE, GEAR	1	1	1					
9	2	129900-32001	PUMP ASSY, OIL	1	1	1					
20	1	26226-080202	STUD, M8X 20	3	3	3					
20-1	2	26226-080302	STUD, M8X 30	3	3	3					N
		(A=EXXXXX) (B=EXXXXX) (C=EXXXXX)									
21	1	129900-32030	O-RING, P20	1	1	1					
22	1	129900-32040	O-RING, P14	1	1	1					
23	1	129001-91810	BOLT, M8X70	6	6	6					
24	1	129001-91810	BOLT, M8X70	1	1	1					
25	1	24311-000320	O-RING, 1AP32.0	1	1	1					
26	1	24341-000500	O-RING, 1AS50.0	1	1	1					
27	1	26106-080162	BOLT, M8X 16 PLATED	1	1	1					
28	1	26106-080202	BOLT, M8X 20 PLATED	3	3	3					
29	1	26106-080302	BOLT, M8X 30 PLATED	1	1	1					
30	1	26106-080402	BOLT, M8X 40 PLATED	5	5	5					
31	1	26106-080402	BOLT, M8X 40 PLATED	5	5	5					
32	1	26106-080452	BOLT, M8X 45 PLATED	3	3	3					
33	1	26306-080002	NUT, M8	3	3	3					

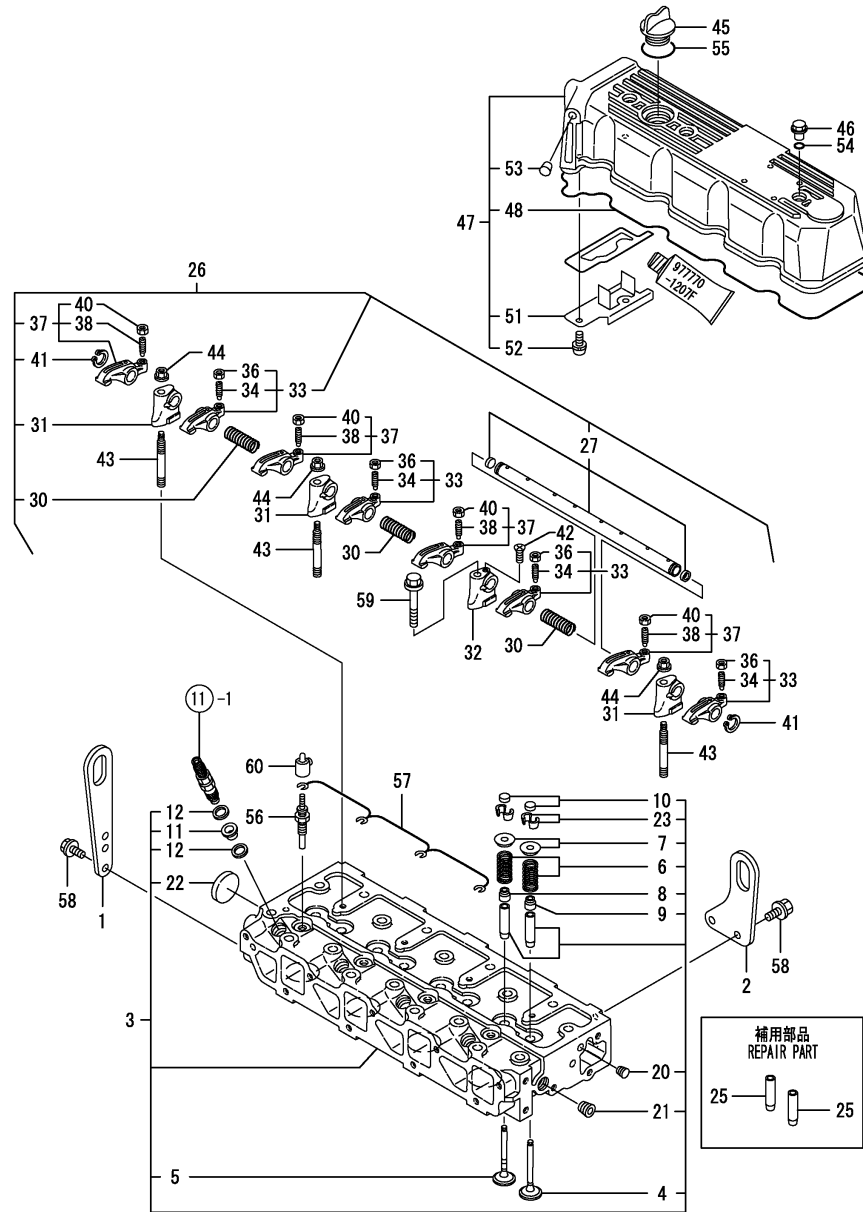


(A)=4TNE98-BNMH
 (B)=4TNE98-BNMHT
 (C)=4TNE98-BNMHN

(D)=
 (E)=
 (F)=



No.	Lev.	Parts No.	Description	Qty						I	R
				(A)	(B)	(C)	(D)	(E)	(F)		
1	1	129902-01710	SUMP ASSY, OIL	1	1	1					
2	2	119640-01640	PLUG, DRAIN M22	1	1	1					
4	2	22190-220002	WASHER, SEAL 22	1	1	1					
5	1	26106-080122	BOLT, M8X 12 PLATED	16	16	16					
6	1	129100-01580	PIN, M8X16	2	2	2					
7	1	129960-01640	CASE ASSY, OIL SEAL	1	1	1					
7-1	1	129960-01690	CASE ASSY, OIL SEAL	1	1	1					N
		(A=EZZZZZ) (B=EZZZZZ) (C=EZZZZZ)									
9	2	124411-01780	SEAL, HTC95X115X12	1	1	1					
10	1	129486-01670	BOLT, M8X30	6	6	6					


 (A)=4TNE98-BNMMH
 (B)=4TNE98-BNMHT
 (C)=4TNE98-BNMHN

 (D)=
 (E)=
 (F)=

No.	Lev.	Parts No.	Description	Qty						I	R
				(A)	(B)	(C)	(D)	(E)	(F)		
1	1	129900-07900	LIFTER	1	1	1					
2	1	129910-07910	LIFTER	1	1	1					
3	1	129903-11700	HEAD ASSY, CYLINDER	1	1	1					
4	2	129900-11100	VALVE, INTAKE	4	4	4					
5	2	129900-11110	VALVE, EXHAUST	4	4	4					
6	2	129900-11120	SPRING, VALVE	8	8	8					
7	2	129795-11180	RETAINER, SPRING	8	8	8					
8	2	121400-11340	SEAL, VALVE STEM	4	4	4					
9	2	124460-11340	SEAL, VALVE STEM	4	4	4					
10	2	129150-11370	CAP, VALVE	8	8	8					
11	2	129901-11450	PROTECTOR, NOZZLE	4	4	4					
12	2	119600-11460	GASKET, NOZZLE	8	8	8					
20	2	23871-005000	PLUG, R005	1	1	1					
21	2	23876-030000	PLUG, R03	1	1	1					
22	2	27241-400000	PLUG, 40	1	1	1					
23	2	27310-080001	COTTER, 8	8	8	8					
25	1	129150-11810	GUIDE, VALVE	8	8	8					1
26	1	129900-11200	SUPPORT ASSY, ARM	1	1	1					
27	2	129900-11240	SHAFT ASSY, ROCKER	1	1	1					
30	2	129900-11280	SPRING	3	3	3					
31	2	129900-11510	SUPPORT, ROCKER ARM	3	3	3					
32	2	129900-11520	SUPPORT, ROCKER ARM	1	1	1					
33	2	129900-11650	ARM, ROCKER	4	4	4					
34	3	129150-11230	SCREW, VALVE ADJUST	4	4	4					
36	3	129150-11750	NUT, M8	4	4	4					
37	2	129900-11660	ARM, ROCKER	4	4	4					
38	3	129150-11230	SCREW, VALVE ADJUST	4	4	4					
40	3	129150-11750	NUT, M8	4	4	4					
41	2	22242-000180	RING, 18	2	2	2					
42	2	26577-040162	SCREW, M4X16	1	1	1					
43	1	129900-11530	STUD	3	3	3					
44	1	26306-100002	NUT, M10	3	3	3					
45	1	124160-01751	COVER, FILLER	1	1	1					
46	1	124160-11360	KNOB	3	3	3					
47	1	129900-11370	BONNET ASSY, HEAD	1	1	1					
48	2	129900-11310	GASKET, BONNET	1	1	1					
51	2	129900-11600	PLATE, BAFFLE	1	1	1					
52	2	22857-500100	SCREW, 5X10	2	2	2					
53	2	27225-080080	PLUG, 8X 8	1	1	1					
54	1	24311-000120	O-RING, 1AP12.0	3	3	3					
55	1	24311-000320	O-RING, 1AP32.0	1	1	1					
56	1	119717-77800	PLUG, GLOW	4	4	4					
57	1	129901-77820	CONNECTOR, GLOW PLUG	1	1	1					
58	1	26106-080162	BOLT, M8X 16 PLATED	4	4	4					
59	1	26106-100652	BOLT, M10X 65 PLATED	1	1	1					
60	1	119326-77820	COVER	4	4	4					

Remarks

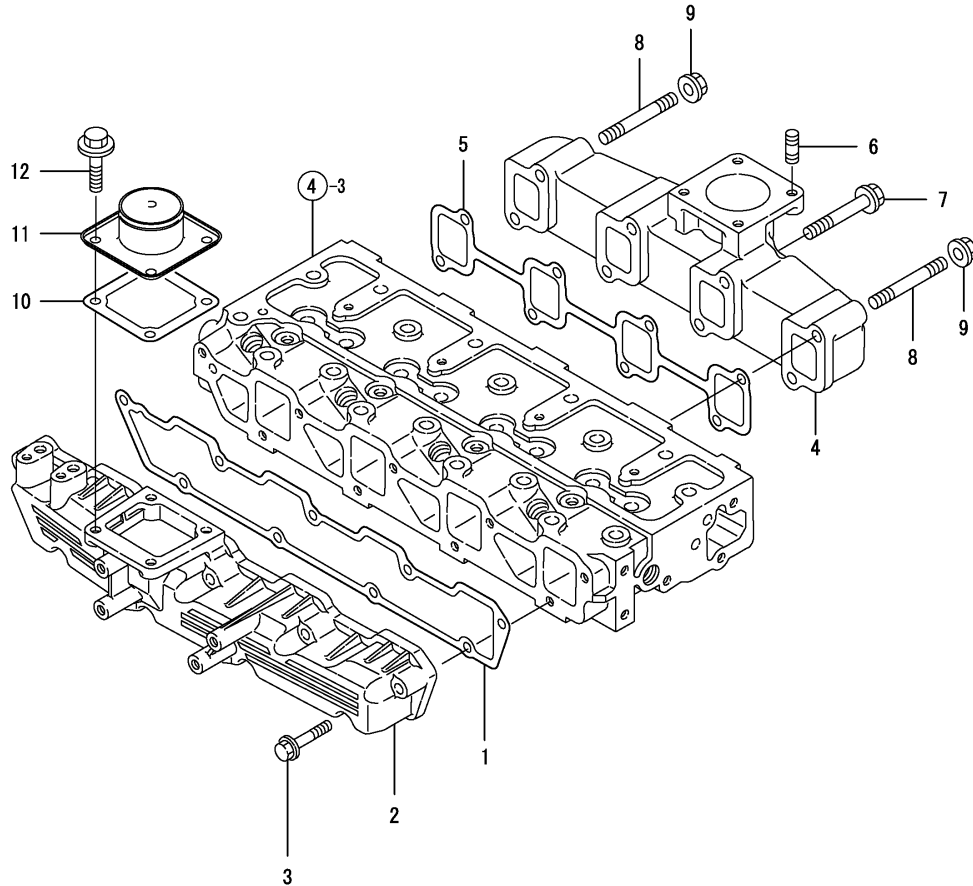
(1) REPAIR PART.

 N:Old $\xrightarrow{\text{Yes}}$ New, Q:Old $\xrightarrow{\text{No}}$ New, R:Old $\xrightarrow{\text{Yes}}$ New, S:Old $\xrightarrow{\text{No}}$ New, W:Add, Z:Discontinued, F:Interchangeable by set, K:Qty Change

(A)=4TNE98-BNMFH
 (B)=4TNE98-BNMFHT
 (C)=4TNE98-BNMFHN

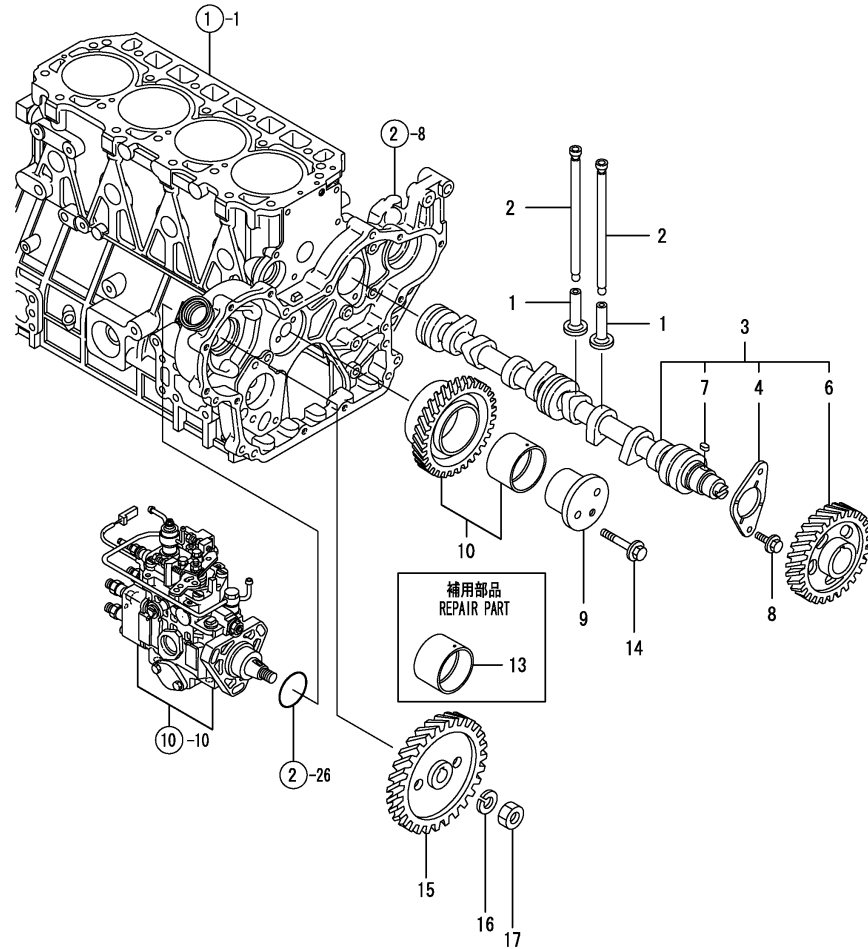
(D)=
 (E)=
 (F)=

No.	Lev.	Parts No.	Description	Q'ty						I	R
				(A)	(B)	(C)	(D)	(E)	(F)		
1	1	129900-12050	GASKET, MANIFOLD	1	1	1					
2	1	129900-12100	MANIFOLD, AIR INTAKE	1	1	1					
3	1	26106-080452	BOLT, M8X 45 PLATED	9	9	9					
4	1	129900-13200	MANIFOLD, EXHAUST	1	1	1					
5	1	129900-13251	GASKET	1	1	1					
6	1	119131-18320	STUD, M8X22	4	4	4					
7	1	123900-13630	BOLT, M8X80	6	6	6					
8	1	123900-13610	STUD, M8X80	2	2	2					
9	1	26306-080002	NUT, M8	2	2	2					
10	1	121850-77021	GASKET	1	1	1					
11	1	121850-77100	CAPSULE	1	1	1					
12	1	26106-080142	BOLT, M8X 14 PLATED	4	4	4					



(A)=4TNE98-BNMF
 (B)=4TNE98-BNMT
 (C)=4TNE98-BNMFH

(D)=
 (E)=
 (F)=

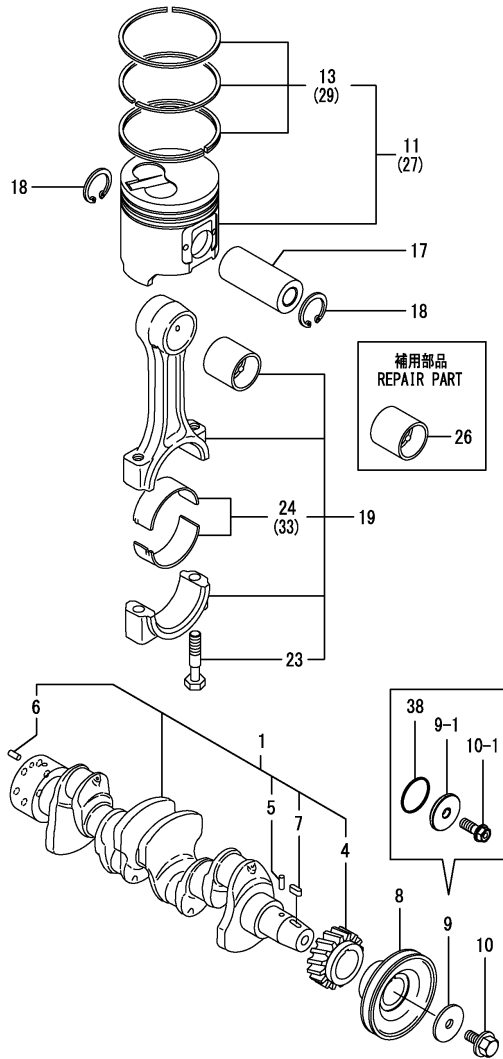


No.	Lev.	Parts No.	Description	Qty						I	R
				(A)	(B)	(C)	(D)	(E)	(F)		
1	1	129150-14200	TAPPET	8	8	8					
2	1	129900-14400	ROD, PUSH	8	8	8					
3	1	129900-14580	CAMSHAFT ASSY	1	1	1					
4	2	129150-02450	BEARING, THRUST	1	1	1					
6	2	129900-14100	GEAR, CAMSHAFT	1	1	1					
7	2	22512-070140	KEY, 7X 14	1	1	1					
8	1	26106-080162	BOLT, M8X 16 PLATED	2	2	2					
9	1	129900-25060	SHAFT, IDLE	1	1	1					
10	1	129900-25100	GEAR ASSY, IDLE	1	1	1					
13	1	129150-25920	BUSH, IDLE GEAR	1	1	1					1
14	1	26106-080552	BOLT, M8X 55 PLATED	2	2	2					
15	1	129901-25900	GEAR, PUMP	1	1	1					
16	1	22217-140000	WASHER, SPRING 14	1	1	1					
17	1	26776-140002	NUT, LOCK M14	1	1	1					

Remarks
 (1) REPAIR PART.

(A)=4TNE98-BNMH
 (B)=4TNE98-BNMHT
 (C)=4TNE98-BNMHN

(D)=
 (E)=
 (F)=



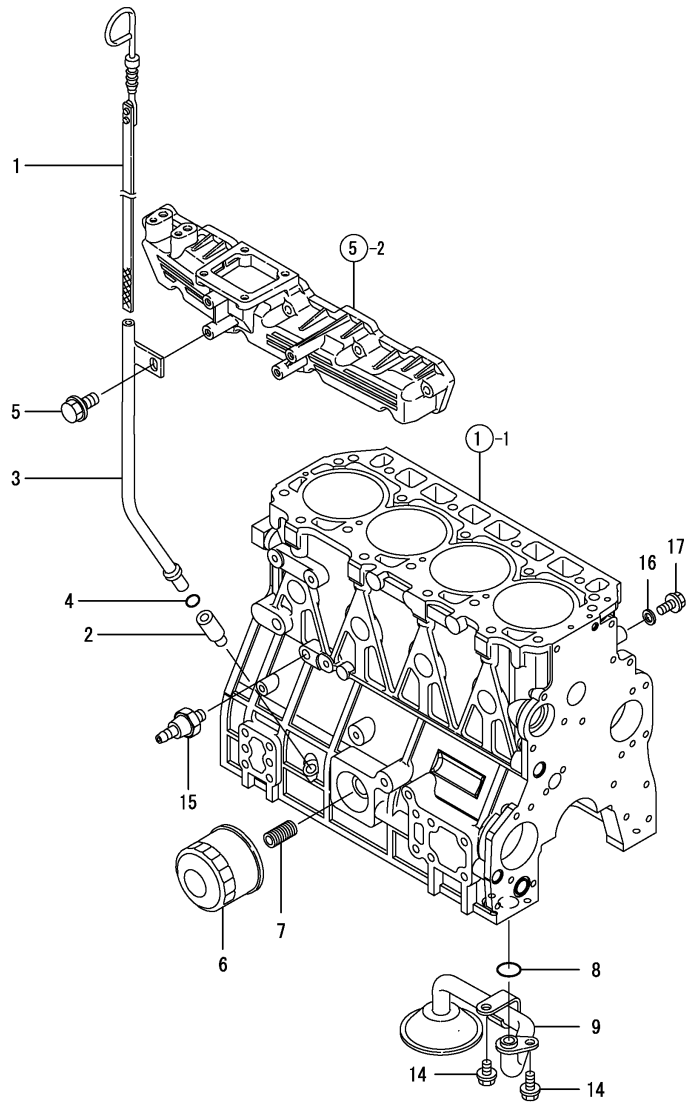
No.	Lev.	Parts No.	Description	Qty						I	R
				(A)	(B)	(C)	(D)	(E)	(F)		
1	1	129902-21000	CRANKSHAFT ASSY	1	1	1					
4	2	129900-21200	GEAR, CRANKSHAFT	1	1	1					
5	2	121850-21290	PIN	1	1	1					
6	2	121850-21920	PIN, PARALLEL 10X22	1	1	1					
7	2	22512-070140	KEY, 7X 14	1	1	1					
8	1	129900-21660	V-PULLEY, CRANK 130	1	1	1					
9	1	129900-21640	WASHER	1	1	1					
9-1	1	129960-21940	WASHER, V-PULLEY	1	1	1					N
		(A=E34658) (B=E35002) (C=E35001)									
10	1	121850-21680	BOLT	1	1	1					
10-1	1	129916-21610	BOLT, V-PULLEY	1	1	1					N
		(A=E34658) (B=E35002) (C=E35001)									
11	1	129903-22120	PISTON ASSY, IDI	4	4	4					
13	2	129903-22050	RING SET, PISTON	4	4	4					
17	1	120130-22301	PIN, PISTON	4	4	4					
18	1	22252-000300	RING, 30	8	8	8					
19	1	129900-23001	ROD ASSY, CONNECTING	4	4	4					
23	2	129900-23200	BOLT, CONNECTING ROD	8	8	8					
24	2	129900-23601	BEARING, CRANK PIN	4	4	4					
26	1	129900-23911	BEARING, PISTON PIN	4	4	4					1
27	1	129903-22940	PISTON ASSY, 0.25 OS	4	4	4					2
29	2	129903-22950	RING SET, 0.25 OS	4	4	4					2
33	1	129900-23611	BEARING ASSY, 0.25US	4	4	4					3
38	1	129960-21930	GASKET, WASHER	1	1	1					W
		(A=E34658) (B=E35002) (C=E35001)									

Remarks

- (1) REPAIR PART.
- (2) OVER-SIZE(O.S=0.25)PART.
- (3) UNDER-SIZE(U.S=0.25)PART.

(A)=4TNE98-BNMH
 (B)=4TNE98-BNMHT
 (C)=4TNE98-BNMHN

(D)=
 (E)=
 (F)=



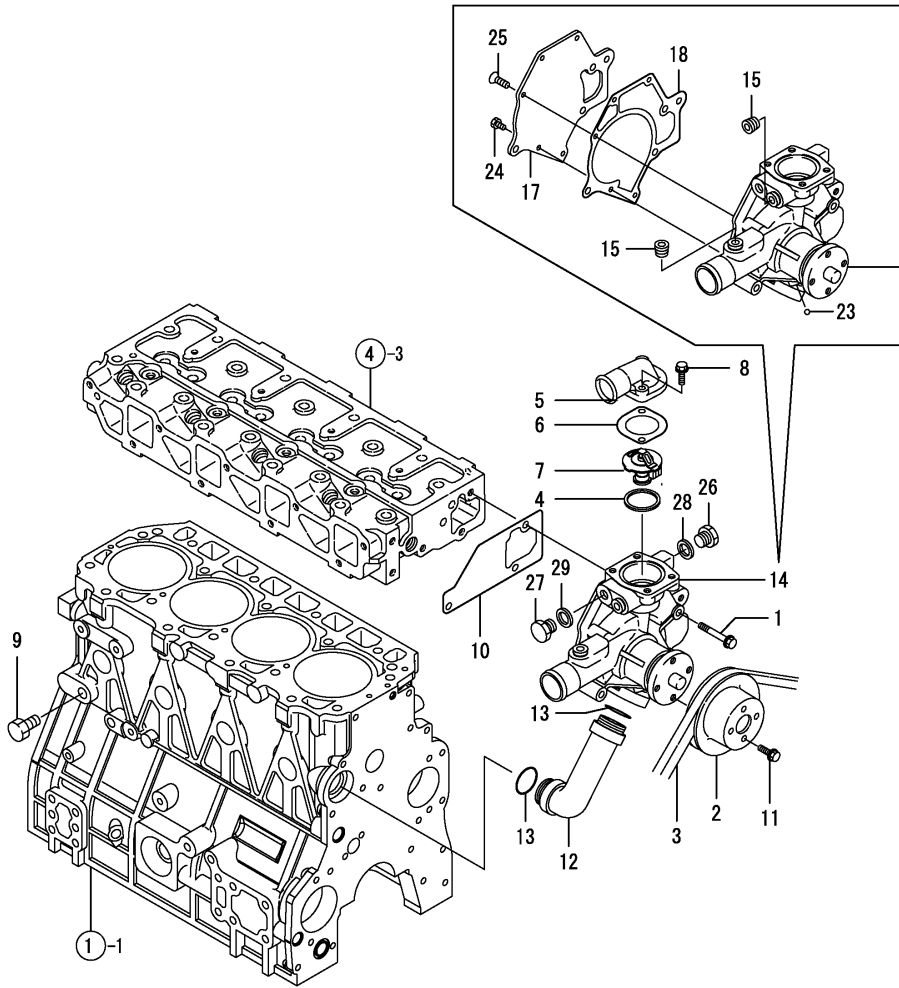
No.	Lev.	Parts No.	Description	Qty						I	R
				(A)	(B)	(C)	(D)	(E)	(F)		
1	1	129930-34800	DIPSTICK, OIL	1	1	1					
2	1	119260-34810	GUIDE, DIPSTICK	1	1	1					
3	1	129930-34810	GUIDE, DIPSTICK	1	1	1					
4	1	24311-240100	O-RING, 1AP10A	1	1	1					
5	1	26106-080162	BOLT, M8X 16 PLATED	1	1	1					
6	1	129150-35153	FILTER	1	1	1					1
7	1	119000-35140	BOLT, FILTER	1	1	1					
8	1	129900-32030	O-RING, P20	1	1	1					
9	1	129900-35000	PIPE ASSY, OIL INLET	1	1	1					
14	1	26106-080122	BOLT, M8X 12 PLATED	2	2	2					
15	1	114250-39450	SWITCH, 0.5KG	1	1	1					
16	1	22190-080002	WASHER, SEAL 6	1	1	1					
17	1	26106-080122	BOLT, M8X 12 PLATED	1	1	1					

Remarks
 (1) REPAIR PART.

(A)=4TNE98-BNMF
 (B)=4TNE98-BNMFH
 (C)=4TNE98-BNMFH

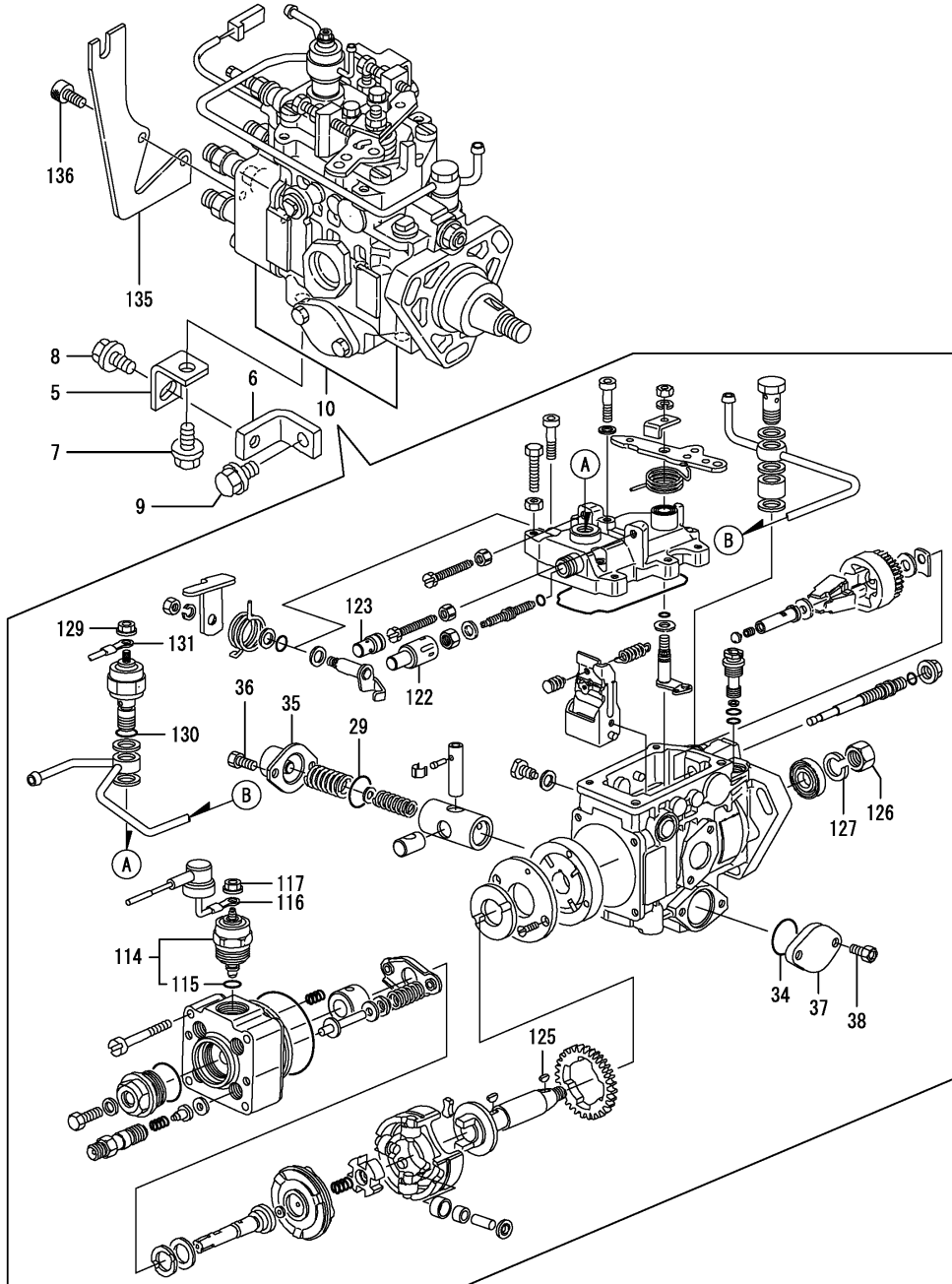
(D)=
 (E)=
 (F)=

No.	Lev.	Parts No.	Description	Qty						I	R
				(A)	(B)	(C)	(D)	(E)	(F)		
1	1	26106-080552	BOLT, M8X 55 PLATED	3	3	3					
2	1	129917-42380	PULLEY, WATER PUMP	1	1	1					
3	1	129930-42480	V-BELT, A45.5	1	1	1					
4	1	121850-49550	GASKET, THERMOSTAT	1	1	1					
5	1	129900-49551	COVER, THERMOSTAT	1	1	1					
6	1	129900-49560	GASKET	1	1	1					
7	1	121850-49810	THERMOSTAT, 71	1	1	1					
8	1	26106-080252	BOLT, M8X 25 PLATED	2	2	2					
9	1	171056-49120	PLUG, DRAIN	1	1	1					
10	1	129900-42061	GASKET, WATER PUMP	1	1	1					
11	1	26106-080122	BOLT, M8X 12 PLATED	4	4	4					
12	1	129900-42070	PIPE, WATER	1	1	1					
13	1	129900-42140	O-RING, P36	2	2	2					
14	1	129919-42010	PUMP ASSY, WATER	1	1	1					
15	2	124085-11691	PLUG, NPT3/8	2	2	2					
17	2	129900-42161	COVER	1	1	1					
18	2	129900-42170	GASKET	1	1	1					
23	2	24190-080001	BALL, STEEL 1/4	1	1	1					
24	2	26116-060162	BOLT, M6X 16 PLATED	2	2	2					
25	2	26577-060152	SCREW, M6X15	3	3	3					
26	1	121450-42450	PLUG, M16	1	1	1					
27	1	129054-42450	PLUG, M12X1.5	1	1	1					
28	1	124465-44950	GASKET, 16	1	1	1					
29	1	22190-120002	WASHER, SEAL 12	1	1	1					



(A)=4TNE98-BNMH
 (B)=4TNE98-BNMHT
 (C)=4TNE98-BNMHN

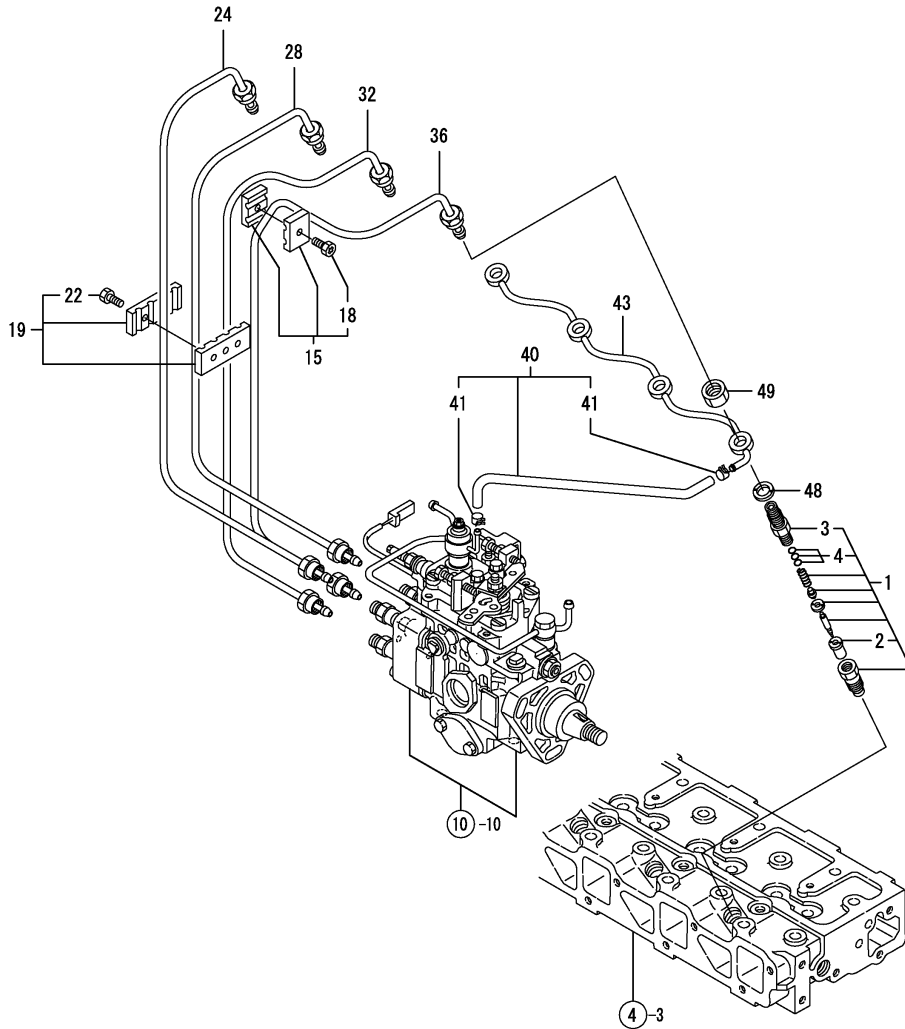
(D)=
 (E)=
 (F)=



No.	Lev.	Parts No.	Description	Qty						I	R
				(A)	(B)	(C)	(D)	(E)	(F)		
5	1	129904-01950	RETAINER	1	1	1					
6	1	129901-01960	STAY	1	1	1					
7	1	26106-100142	BOLT, M10X 14 PLATED	1	1	1					
8	1	26106-100162	BOLT, M10X 16 PLATED	1	1	1					
9	1	26106-100202	BOLT, M10X 20 PLATED	1	1	1					
10	1	129919-51500	PUMP ASSY, INJECTION	1	1	1					
29	2	X1466000800	O-RING	1	1	1					
34	2	X1466000800	O-RING	1	1	1					
35	2	X1463104020	COVER	1	1	1					
36	2	X1466205000	BOLT	2	2	2					
37	2	X1463105100	COVER	1	1	1					
38	2	X1466205000	BOLT	2	2	2					
114	2	X1466501220	VALVE	1	1	1					
115	3	X1466001700	O-RING	1	1	1					
116	2	X1466584820	WIRE	1	1	1					
117	2	X1466214901	NUT	1	1	1					
122	2	X1465981000	CAP	1	1	1					
123	2	X0299985720	CAP	1	1	1					
125	2	X0294704030	KEY	1	1	1					
126	2	X0131214140	NUT	1	1	1					
127	2	X0293214050	WASHER	1	1	1					
129	2	X1466214901	NUT	1	1	1					
130	2	X1466005000	O-RING	1	1	1					
131	2	X1466629920	WIRE	1	1	1					
135	1	129930-67010	BRACKET	1	1	1					
136	1	26450-060252	BOLT, M6X 25	2	2	2					

(A)=4TNE98-BNMFH
 (B)=4TNE98-BNMFHT
 (C)=4TNE98-BNMFHN

(D)=
 (E)=
 (F)=



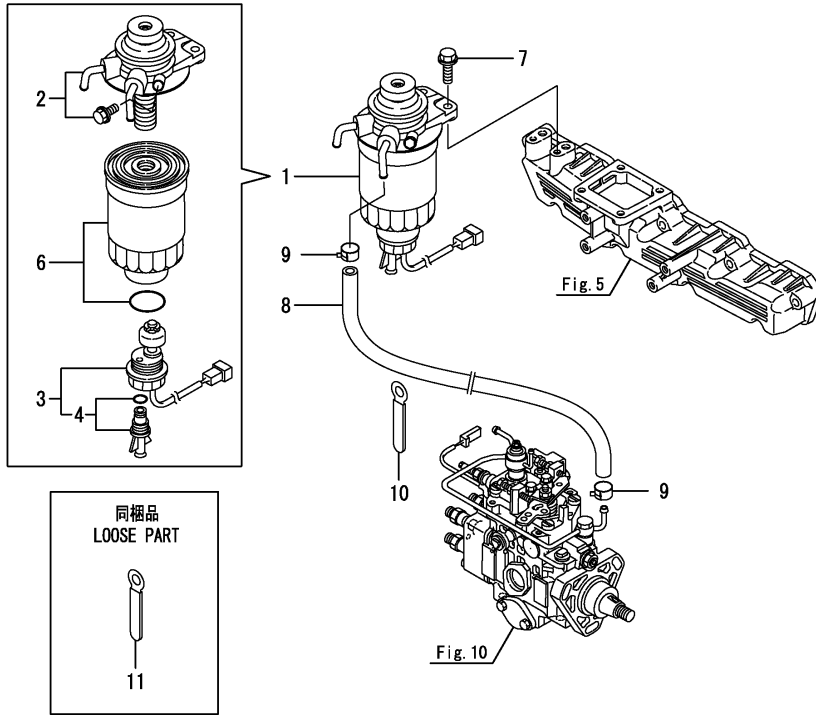
No.	Lev.	Parts No.	Description	Qty						I	R
				(A)	(B)	(C)	(D)	(E)	(F)		
1	1	129931-53000	VALVE ASSY,INJECTION	4	4	4					
2	2	119717-53010	VALVE ASSY,INJECTION	4	4	4					
3	2	129901-53020	HOLDER, NOZZLE	4	4	4					
4	2	129901-53800	SHIM SET, ADJUSTING	4	4	4					1
15	1	119305-59120	RETAINER, PIPE	2	2	2					
18	2	129150-59131	BOLT, M4X14	2	2	2					
19	1	129550-59120	RETAINER, PIPE	1	1	1					
22	2	129150-59131	BOLT, M4X14	2	2	2					
24	1	129901-59810	PIPE ASSY, INJECTION	1	1	1					
28	1	129901-59820	PIPE ASSY, INJECTION	1	1	1					
32	1	129901-59830	PIPE ASSY, INJECTION	1	1	1					
36	1	129901-59840	PIPE ASSY, INJECTION	1	1	1					
40	1	105225-59500	PIPE ASSY, RETURN	1	1	1					
41	2	124066-59100	CLIP, HOSE 8	2	2	2					
43	1	129901-59510	PIPE ASSY, RETURN	1	1	1					
48	1	129901-59560	GASKET	4	4	4					
49	1	119620-59700	NUT, NOZZLE	4	4	4					

Remarks
 (1) REPAIR PART.

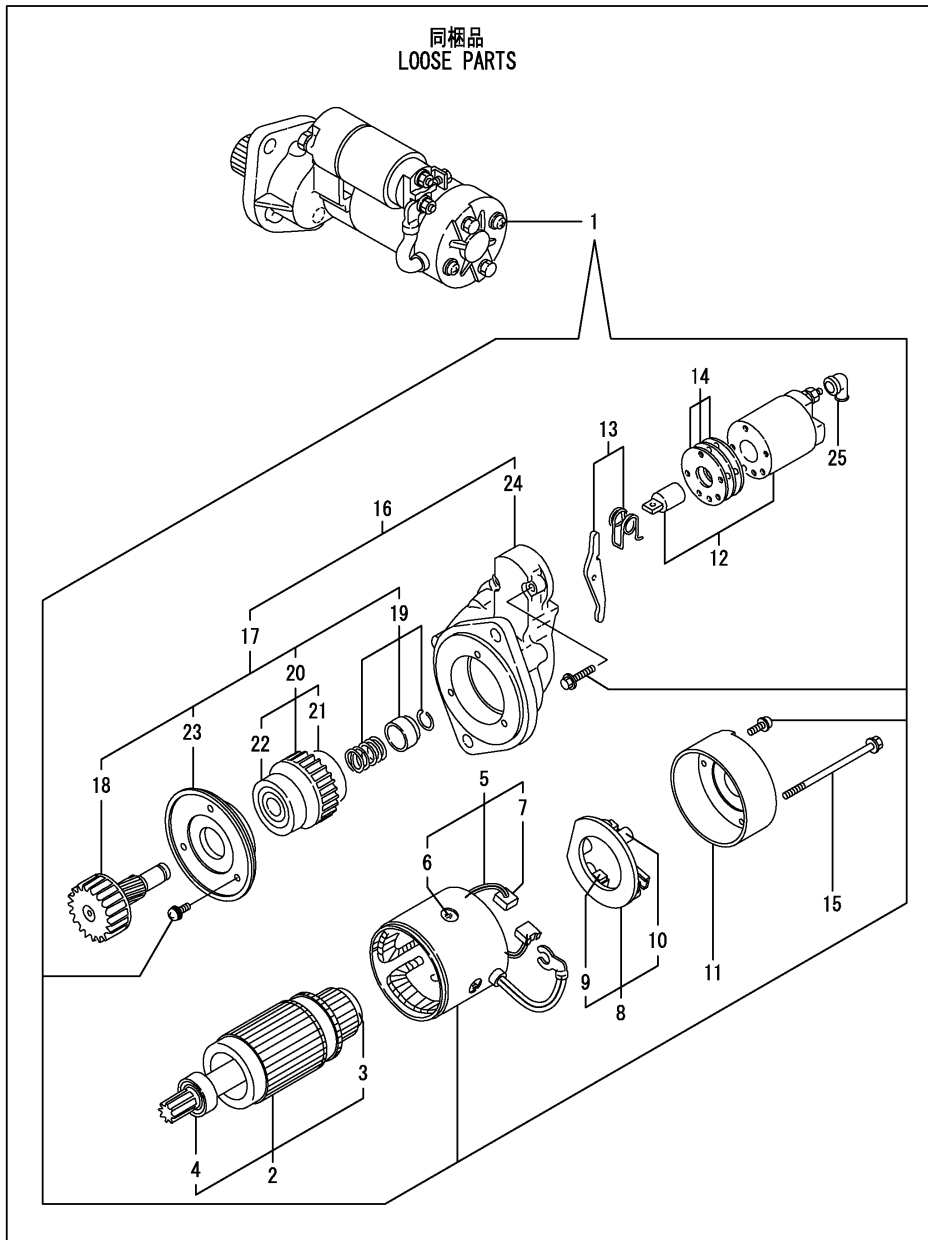
(A)=4TNE98-BNMFH
 (B)=4TNE98-BNMFHT
 (C)=4TNE98-BNMFHN

 (D)=
 (E)=
 (F)=

No.	Lev.	Parts No.	Description	Q'ty						I	R
				(A)	(B)	(C)	(D)	(E)	(F)		
1	1	129917-55801	FILTER ASSY, FUEL	1	1	1					
1-1	1	129917-55802	FILTER ASSY, FO PRE	1		1					N
(A=E31532) (C=E36539)											
2	2	129917-55810	BODY, FILTER SUB	1	1	1					
3	2	129917-55821	SENSOR ASSY, LEVEL	1	1	1					
3-1	2	129917-55870	SENSOR ASSY, LEVEL	1		1					N
(A=E31532) (C=E36539)											
4	3	129917-55830	PLUG, DRAIN	1	1	1					
4-1	3	129242-55740	PLUG, DRAIN	1		1					N
(A=E31532) (C=E36539)											
6	2	129917-55850	ELEMENT KIT, FUEL	1	1	1					
7	1	26106-080252	BOLT, M8X 25 PLATED	2	2	2					
8	1	129901-59500	HOSE, FUEL D13X655	1	1	1					
9	1	23000-013000	CLAMP, 13	2	2	2					
10	1	105430-67110	CLAMP, CORD	2	2	2					
11	1	105430-67110	CLAMP, CORD	1	1	1					

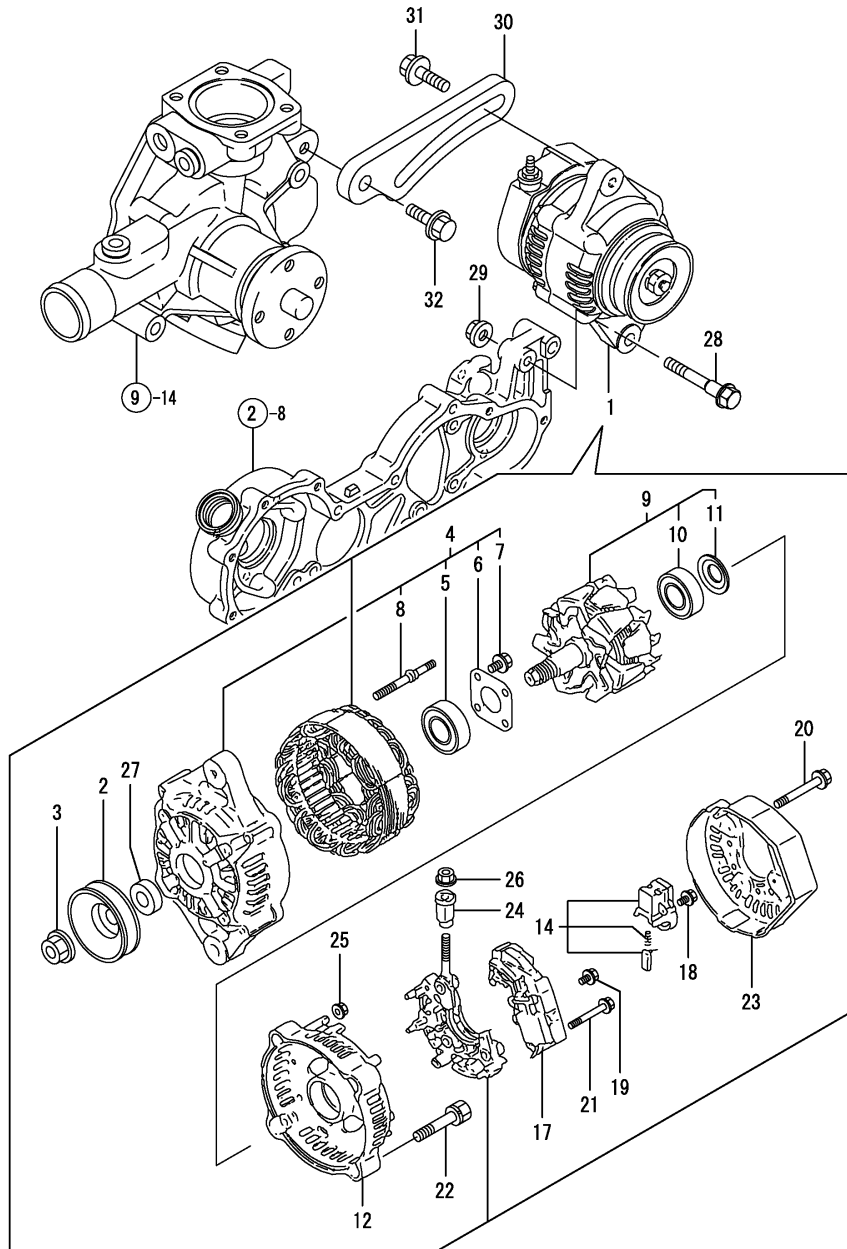


(A)=4TNE98-BNMF
 (B)=4TNE98-BNMFH
 (C)=4TNE98-BNMFH

 (D)=
 (E)=
 (F)=


No.	Lev.	Parts No.	Description	Qty						I	R
				(A)	(B)	(C)	(D)	(E)	(F)		
1	1	129900-77010	STARTER	1	1	1					
2	2	129900-77400	ARMATURE ASSY	1	1	1					
3	3	X2114155110	BEARING, BALL	1	1	1					
4	3	X2114255110	BEARING, BALL	1	1	1					
5	2	129900-77440	COIL ASSY, FIELD	1	1	1					
6	3	171008-77450	SCREW	4	4	4					
7	3	129900-77450	BRUSH	2	2	2					
8	2	129900-77480	HOLDER ASSY, BRUSH	1	1	1					
9	3	129900-77450	BRUSH	2	2	2					
10	3	X2130631300	SPRING, BRUSH	4	4	4					
11	2	129900-77460	COVER	1	1	1					
12	2	129900-77591	SWITCH ASSY	1	1	1					
13	2	129900-77620	LEVER SET	1	1	1					
14	2	129900-77650	COVER ASSY, DUST	1	1	1					
15	2	129900-77640	BOLT, THROUGH	2	2	2					
16	2	129900-77700	CASE ASSY	1	1	1					
17	3	129900-77510	PINION ASSY	1	1	1					
18	4	129900-77540	SHAFT	1	1	1					
19	4	129900-77550	STOPPER SET	1	1	1					
20	4	129900-77520	CLUTCH ASSY	1	1	1					
21	4	171008-77730	BEARING, BALL	1	1	1					
22	4	171008-77740	BEARING	1	1	1					
23	4	129900-77610	RETAINER	1	1	1					
24	3	129900-77710	CASE, GEAR	1	1	1					
25	2	171008-77750	COVER	1	1	1					

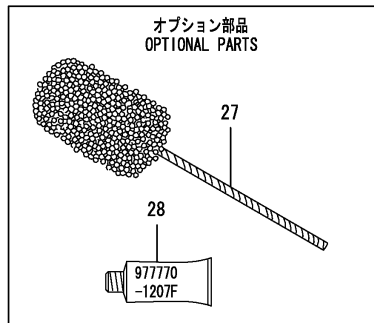
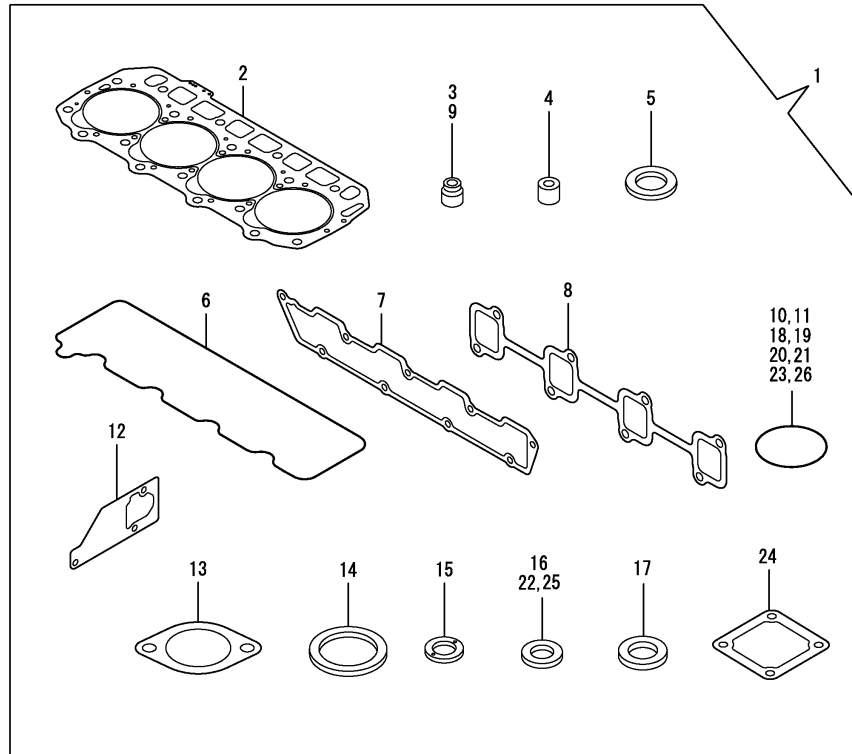
(A)=4TNE98-BNMFH
 (B)=4TNE98-BNMFHT
 (C)=4TNE98-BNMFHN

 (D)=
 (E)=
 (F)=


No.	Lev.	Parts No.	Description	Qty						I	R
				(A)	(B)	(C)	(D)	(E)	(F)		
1	1	119254-77200	GENERATOR, 12V-60A	1	1	1					
2	2	119620-77461	PULLEY	1	1	1					
3	2	119620-77471	NUT	1	1	1					
4	2	119254-77421	FRAME ASSY	1	1	1					
5	3	119620-79200	BEARING, BALL	1	1	1					
6	3	119620-79210	PLATE, RETAINER	1	1	1					
7	3	119620-79220	SCREW	4	4	4					
8	3	119620-79230	STUD	2	2	2					
9	2	129052-77380	ROTOR ASSY	1	1	1					
10	3	123501-79240	BEARING, BALL	1	1	1					
11	3	119620-79250	COVER	1	1	1					
12	2	128401-77440	FRAME	1	1	1					
14	2	129052-79270	HOLDER, BRUSH	1	1	1					
17	2	119620-77710	REGULATOR ASSY	1	1	1					
18	2	119620-79290	SCREW	6	6	6					
19	2	119620-79300	SCREW	1	1	1					
20	2	119620-79310	BOLT	3	3	3					
21	2	119620-79320	SCREW	2	2	2					
22	2	119620-79330	BOLT	2	2	2					
23	2	128401-77450	COVER	1	1	1					
24	2	119620-79340	BUSH, INSULATION	1	1	1					
25	2	119620-79350	NUT	2	2	2					
26	2	X9490561001	NUT	1	1	1					
27	2	119620-77490	COLLAR	1	1	1					
28	1	129960-77250	BOLT, GENERATOR	1	1	1					
29	1	129612-77260	NUT, ALTERNATOR	1	1	1					
30	1	129904-77330	ADJUSTER	1	1	1					
31	1	119810-77340	BOLT, ADJUSTER	1	1	1					
32	1	26014-080252	BOLT, M8X 25	1	1	1					

(A)=4TNE98-BNMF
 (B)=4TNE98-BNMFH
 (C)=4TNE98-BNMFH

(D)=
 (E)=
 (F)=



No.	Lev.	Parts No.	Description	Qty						I	R
				(A)	(B)	(C)	(D)	(E)	(F)		
1	1	729903-92720	GASKET SET	1	1	1					1
2	2	129903-01350	GASKET, HEAD T=1.2	1	1	1					
3	2	124460-11340	SEAL, VALVE STEM	4	4	4					
4	2	129901-11450	PROTECTOR, NOZZLE	4	4	4					
5	2	119600-11460	GASKET, NOZZLE	8	8	8					
6	2	129900-11310	GASKET, BONNET	1	1	1					
7	2	129900-12050	GASKET, MANIFOLD	1	1	1					
8	2	129900-13251	GASKET	1	1	1					
9	2	121400-11340	SEAL, VALVE STEM	4	4	4					
10	2	129900-32030	O-RING, P20	2	2	2					
11	2	129900-32040	O-RING, P14	1	1	1					
12	2	129900-42061	GASKET, WATER PUMP	1	1	1					
13	2	129900-49560	GASKET	1	1	1					
14	2	121850-49550	GASKET, THERMOSTAT	1	1	1					
15	2	129901-59560	GASKET	4	4	4					
16	2	22190-22002	WASHER, SEAL 22	1	1	1					
17	2	124465-44950	GASKET, 16	2	2	2					
18	2	24311-240100	O-RING, 1AP10A	1	1	1					
19	2	24311-000120	O-RING, 1AP12.0	3	3	3					
20	2	24311-000320	O-RING, 1AP32.0	2	2	2					
21	2	24341-000500	O-RING, 1AS50.0	1	1	1					
22	2	22190-08002	WASHER, SEAL 6	1	1	1					
23	2	129900-42140	O-RING, P36	2	2	2					
24	2	121850-77021	GASKET	1	1	1					
25	2	22190-120002	WASHER, SEAL 12	1	1	1					
26	2	24341-000530	O-RING, 1AS53.0	1	1	1					
27	1	129400-92450	HONE	1	1	1					1
28	1	977770-1207F	GASKET.LIQUID	1	1	1					1

Remarks
 (1) OPTIONAL PARTS.



Parts No. Index

Parts No.	Fig. No.	Ref. No.
105225-59500	11	40
105430-67110	12	10
		11
114250-39450	8	15
119000-35140	8	7
119131-18320	5	6
119254-77200	14	1
119254-77421	14	4
119260-34810	8	2
119305-59120	11	15
119326-77820	4	60
119600-11460	4	12
	15	5
119620-59700	11	49
119620-77461	14	2
119620-77471	14	3
119620-77490	14	27
119620-77710	14	17
119620-79200	14	5
119620-79210	14	6
119620-79220	14	7
119620-79230	14	8
119620-79250	14	11
119620-79290	14	18
119620-79300	14	19
119620-79310	14	20
119620-79320	14	21
119620-79330	14	22
119620-79340	14	24
119620-79350	14	25
119640-01640	3	2
119717-53010	11	2
119717-77800	4	56
119810-77340	14	31
120130-22301	7	17
121400-11340	4	8
	15	9
121450-42450	9	26
121850-21290	7	5
121850-21680	7	10
121850-21920	7	6
121850-49550	9	4
	15	14
121850-49810	9	7
121850-77021	5	10
	15	24
121850-77100	5	11
123501-79240	14	10
123900-13610	5	8
123900-13630	5	7

Parts No.	Fig. No.	Ref. No.
124066-59100	11	41
124085-11691	9	15
124160-01751	2	6
	4	45
124160-11360	4	46
124411-01780	3	9
124460-11340	4	9
	15	3
124465-44950	9	28
	15	17
128401-77440	14	12
128401-77450	14	23
129001-91810	2	23
		24
129052-77380	14	9
129052-79270	14	14
129054-42450	9	27
129100-01580	2	4
	3	6
129150-02450	6	4
129150-11230	4	34
		38
129150-11370	4	10
129150-11750	4	36
		40
129150-11810	4	25
129150-14200	6	1
129150-25920	6	13
129150-35153	8	6
129150-59131	11	18
		22
129242-55740	12	4 -1
129400-92450	15	27
129486-01670	3	10
129550-59120	11	19
129612-77260	14	29
129795-11180	4	7
129900-01200	1	33
129900-01250	1	15
129900-02020	1	7
129900-02341	1	35
129900-02410	1	10
129900-02931	1	27
129900-02941	1	38
129900-07900	4	1
129900-11100	4	4
129900-11110	4	5
129900-11120	4	6
129900-11200	4	26
129900-11240	4	27

Parts No.	Fig. No.	Ref. No.
129900-11280	4	30
129900-11310	4	48
	15	6
129900-11370	4	47
129900-11510	4	31
129900-11520	4	32
129900-11530	4	43
129900-11600	4	51
129900-11650	4	33
129900-11660	4	37
129900-12050	5	1
	15	7
129900-12100	5	2
129900-13200	5	4
129900-13251	5	5
	15	8
129900-14100	6	6
129900-14400	6	2
129900-14580	6	3
129900-21200	7	4
129900-21640	7	9
129900-21660	7	8
129900-23001	7	19
129900-23200	7	23
129900-23601	7	24
129900-23611	7	33
129900-23911	7	26
129900-25060	6	9
129900-25100	6	10
129900-32001	2	9
129900-32030	2	21
	8	8
	15	10
129900-32040	2	22
	15	11
129900-35000	8	9
129900-42061	9	10
	15	12
129900-42070	9	12
129900-42140	9	13
	15	23
129900-42161	9	17
129900-42170	9	18
129900-49551	9	5
129900-49560	9	6
	15	13
129900-77010	13	1
129900-77400	13	2
129900-77440	13	5
129900-77450	13	7

Parts No.	Fig. No.	Ref. No.
129900-77450	13	9
129900-77460	13	11
129900-77480	13	8
129900-77510	13	17
129900-77520	13	20
129900-77540	13	18
129900-77550	13	19
129900-77591	13	12
129900-77610	13	23
129900-77620	13	13
129900-77640	13	15
129900-77650	13	14
129900-77700	13	16
129900-77710	13	24
129901-01520	2	8
129901-01960	10	6
129901-11450	4	11
	15	4
129901-25900	6	15
129901-53020	11	3
129901-53800	11	4
129901-59500	12	8
129901-59510	11	43
129901-59560	11	48
	15	15
129901-59810	11	24
129901-59820	11	28
129901-59830	11	32
129901-59840	11	36
129901-77820	4	57
129902-01710	3	1
129902-21000	7	1
129903-01350	1	34
	15	2
129903-11700	4	3
129903-22050	7	13
129903-22120	7	11
129903-22940	7	27
129903-22950	7	29
129904-01950	10	5
129904-77330	14	30
129910-07910	4	2
129916-01800	2	3
129916-21610	7	10 -1
129917-42380	9	2
129917-55801	12	1
129917-55802	12	1 -1
129917-55810	12	2
129917-55821	12	3
129917-55830	12	4



Parts No. Index

Parts No.	Fig. No.	Ref. No.
129917-55850	12	6
129917-55870	12	3 -1
129919-42010	9	14
129919-51500	10	10
129930-01820	2	7
129930-34800	8	1
129930-34810	8	3
129930-42480	9	3
129930-67010	10	135
129931-53000	11	1
129951-01740	2	5
129960-01640	3	7
129960-01690	3	7 -1
129960-21930	7	38
129960-21940	7	9 -1
129960-77250	14	28
171008-77450	13	6
171008-77730	13	21
171008-77740	13	22
171008-77750	13	25
171051-01921	1	6
171056-49120	9	9
22190-080002	1	11
	8	16
	15	22
22190-120002	9	29
	15	25
22190-220002	3	4
	15	16
22217-140000	6	16
22242-000180	4	41
22252-000300	7	18
22351-060012	1	12
22512-070140	6	7
	7	7
22857-500100	4	52
23000-013000	12	9
23871-005000	4	20
23876-030000	1	5
		13
		16
	4	21
24190-080001	9	23
24311-000120	4	54
	15	19
24311-000320	2	25
	4	55
	15	20
24311-240100	8	4
	15	18

Parts No.	Fig. No.	Ref. No.
24341-000500	2	26
	15	21
24341-000530	15	26
26014-080252	14	32
26106-080122	1	14
	3	5
	8	14
	9	17
	9	11
26106-080142	5	12
26106-080162	2	27
	4	58
	6	8
	8	5
26106-080202	2	28
26106-080252	9	8
	12	7
26106-080302	2	29
26106-080402	2	30
		31
26106-080452	2	32
	5	3
26106-080552	6	14
	9	1
26106-100142	10	7
26106-100162	10	8
26106-100202	10	9
26106-100652	4	59
26116-060162	9	24
26226-080202	2	20
26226-080302	2	20 -1
26306-080002	2	33
	5	9
26306-100002	4	44
26450-060252	10	136
26577-040162	4	42
26577-060152	9	25
26776-140002	6	17
27225-080080	4	53
27241-300000	1	17
27241-400000	4	22
27310-080001	4	23
729900-01500	2	1
729900-02801	1	30
729903-01570	1	1
729903-92720	15	1
977770-1207F	15	28
X0131214140	10	126
X0293214050	10	127
X0294704030	10	125

Parts No.	Fig. No.	Ref. No.
X0299985720	10	123
X1463104020	10	35
X1463105100	10	37
X1465981000	10	122
X1466000800	10	29
		34
X1466001700	10	115
X1466005000	10	130
X1466205000	10	36
		38
X1466214901	10	117
		129
X1466501220	10	114
X1466584820	10	116
X1466629920	10	131
X2114155110	13	3
X2114255110	13	4
X2130631300	13	10
X9490561001	14	26

Parts No.	Fig. No.	Ref. No.
-----------	----------	----------