

0CW10-M16500EN

PREFACE

1.This parts catalog is the 1st edition of 4TNE92-HRJ for Jingjiang Ltd.

Pub.No. : 000Y00W1650

Published : March,2007

Fig. No. Fig. Name

4TNE92-HRJ

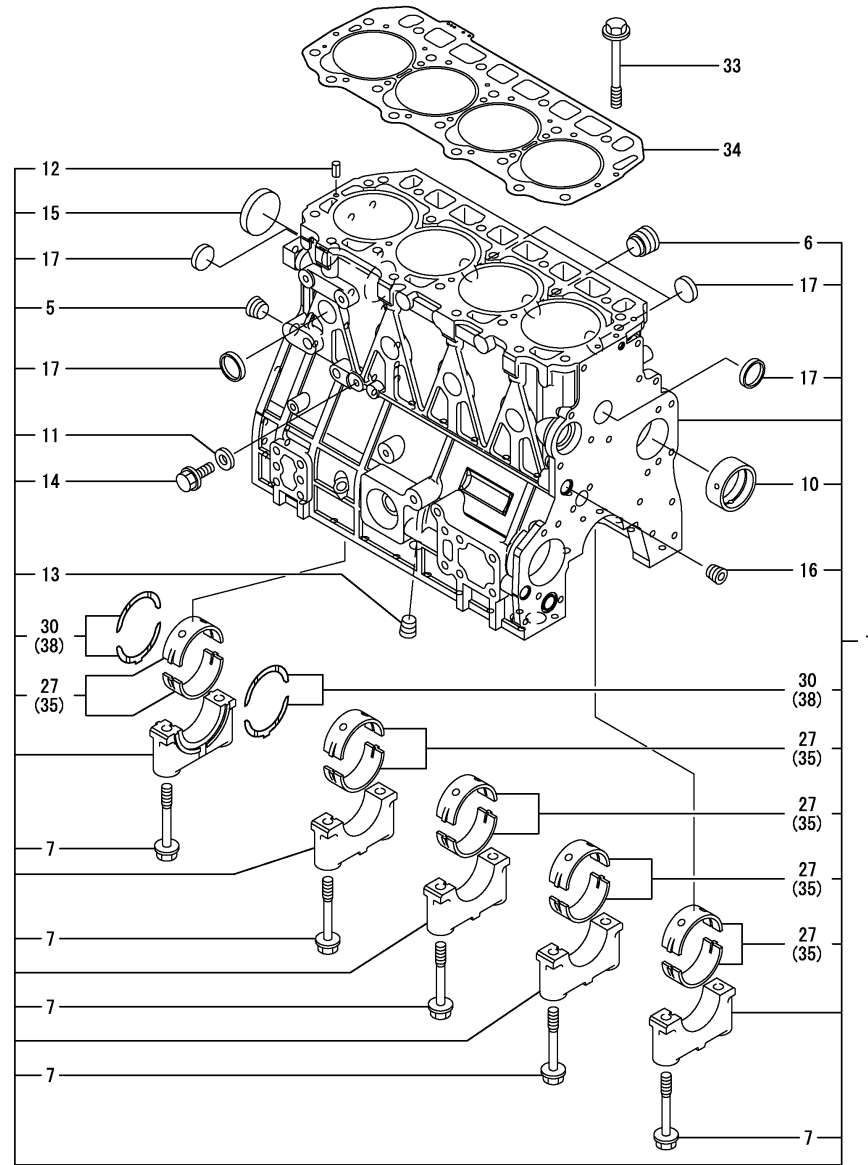
1. CYLINDER BLOCK
2. GEAR HOUSING
3. FLYWHEEL HOUSING & OIL SUMP
4. CYLINDER HEAD & BONNET
5. SUCTION & EXHAUST MANIFOLD
6. CAMSHAFT & DRIVING GEAR
7. CRANKSHAFT & PISTON
8. LUB.OIL SYSTEM
9. COOLING WATER SYSTEM
10. FUEL INJECTION PUMP
11. FUEL INJECTION VALVE
12. FUEL FILTER
13. STARTING MOTOR
16. (13A)STARTING MOTOR
14. GENERATOR
17. (14A)GENERATOR
15. GASKET SET

Fig. No. Fig. Name



(A)=4TNE92-HRJ
(B)=
(C)=

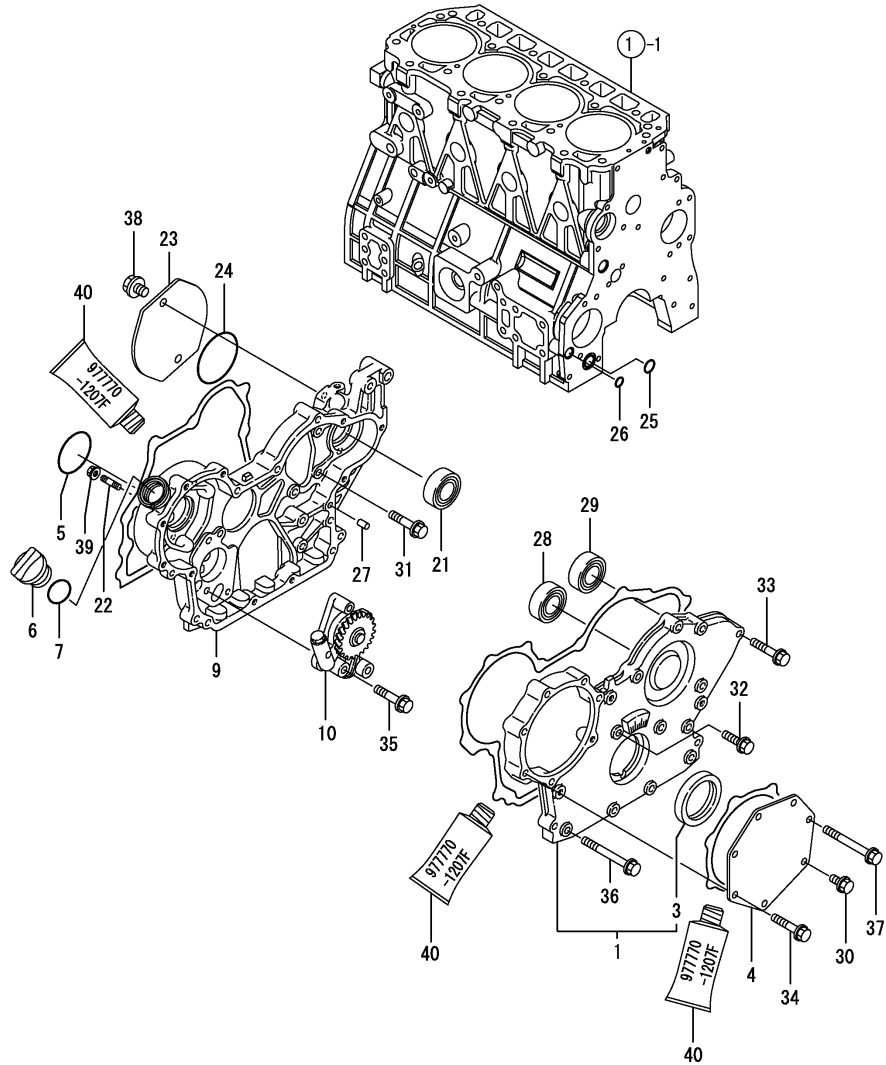
(D)=
(E)=
(F)=



No.	Lev.	Parts No.	Description	Q'ty						I	R
				(A)	(B)	(C)	(D)	(E)	(F)		
1	1	729904-01560	BLOCK ASSY, CYLINDER	1							
5	2	23876-030000	PLUG, R03	1							
6	2	171051-01921	PLUG, NPTF1	1							
7	2	129900-02020	BOLT, METAL CAP	10							
10	2	129900-02410	BUSH, CAMSHAFT	1							
11	2	22190-080002	WASHER, SEAL 6	1							
12	2	22351-060012	PIN, SPRING 6.0X12	2							
13	2	23876-030000	PLUG, R03	1							
14	2	26106-080122	BOLT, M8X 12 PLATED	1							
15	2	129900-01250	PLUG, 55	1							
16	2	23876-030000	PLUG, R03	1							
17	2	27241-300000	PLUG 30	8							
27	2	729900-02801	BEARING, MAIN	5							3
30	2	129900-02931	BEARING, THRUST	2							
33	1	129900-01200	BOLT, HEAD	18							
34	1	129901-01350	GASKET, HEAD	1							
35	1	129900-02341	BEARING, 0.25 US	5							1
38	1	129900-02941	BEARING, THRUST 0.25	2							2

Remarks

- (1) Under-sized (U.S.=0.25) parts.
- (2) Over-sized (O.S.=0.25) parts.
- (3) Repair parts.



(A)=4TNE92-HRJ

(B)=

(C)=

(D)=

(E)=

(F)=

No.	Lev.	Parts No.	Description	Q'ty						I	R
				(A)	(B)	(C)	(D)	(E)	(F)		
1	1	729900-01500	COVER ASSY,GEAR CASE	1							
3	2	129900-01780	SEAL, OIL	1							
4	1	129951-01740	COVER	1							
5	1	24341-000500	O-RING, 1AS50.0	1							
6	1	124160-01751	COVER, FILLER	1							
7	1	24311-000320	O-RING, 1AP32.0	1							
9	1	129970-01500	CASE, GEAR	1							
10	1	129900-32001	PUMP ASSY, OIL	1							
21	1	129900-26250	BEARING, BALL 6206C3	1							
22	1	26226-080302	STUD, M8X 30	3							
23	1	121023-26070	COVER	1							
24	1	24321-000850	O-RING, 1AG85.0	1							
25	1	129900-32030	O-RING, P20	1							
26	1	129900-32040	O-RING, P14	1							
27	1	129100-01580	PIN, M8X16	4							
28	1	129900-14140	BEARING, BALL 6205	1							
29	1	129900-26250	BEARING, BALL 6206C3	1							
30	1	26106-080162	BOLT, M8X 16 PLATED	1							
31	1	26106-080202	BOLT, M8X 20 PLATED	3							
32	1	26106-080302	BOLT, M8X 30 PLATED	1							
33	1	26106-080402	BOLT, M8X 40 PLATED	5							
34	1	26106-080402	BOLT, M8X 40 PLATED	5							
35	1	26106-080452	BOLT, M8X 45 PLATED	3							
36	1	129001-91810	BOLT, M8X70	6							
37	1	129001-91810	BOLT, M8X70	1							
38	1	26106-100122	BOLT, M10X 12 PLATED	2							
39	1	26306-080002	NUT, M8	3							
40	1	977770-1207F	GASKET.LIQUID	1							1

Remarks

(1)Optional parts.

N:Old $\begin{matrix} \leftarrow \text{Yes} \\ \text{No} \end{matrix}$ New, Q:Old $\begin{matrix} \leftarrow \text{No} \\ \text{Yes} \end{matrix}$ New, R:Old $\begin{matrix} \leftarrow \text{Yes} \\ \text{Yes} \end{matrix}$ New, S:Old $\begin{matrix} \leftarrow \text{No} \\ \text{No} \end{matrix}$ New, W:Add, Z:Discontinued, F:Interchangeable by set, K:Q'ty Change

(A)=4TNE92-HRJ

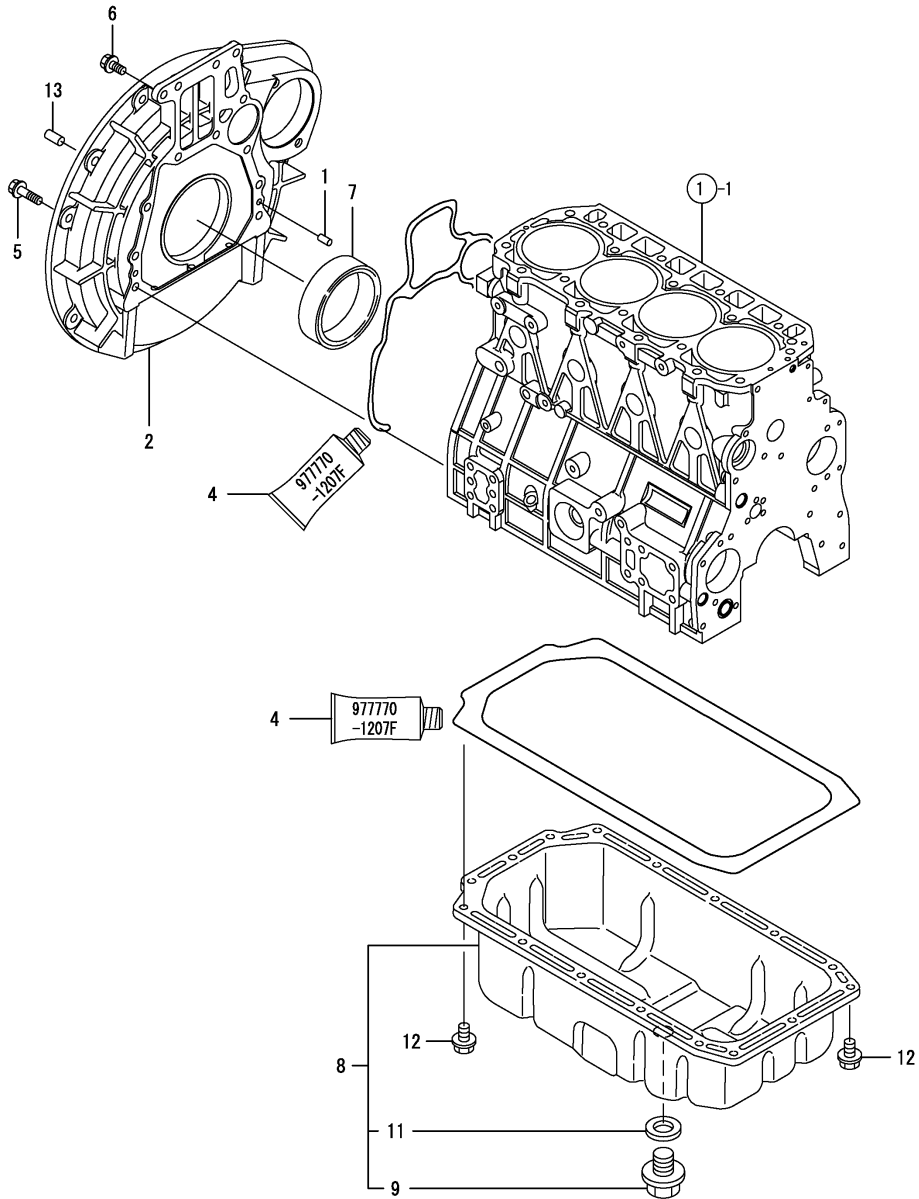
(B)=

(C)=

(D)=

(E)=

(F)=



No.	Lev.	Parts No.	Description	Q'ty						I	R
				(A)	(B)	(C)	(D)	(E)	(F)		
1	1	129100-01580	PIN, M8X16	2							
2	1	129906-01610	HOUSING, FLYWHEEL	1							
4	1	977770-1207F	GASKET.LIQUID	1							1
5	1	26206-100352	BOLT, M10X 35 PLATED	9							
6	1	26206-100202	BOLT, M10X 20 PLATED	4							
7	1	129916-01790	SEAL, D115/95XT11	1							
8	1	129930-01710	SUMP ASSY, OIL	1							
9	2	119640-01640	PLUG, DRAIN M22	1							
11	2	22190-220002	WASHER, SEAL 22	1							
12	1	26106-080122	BOLT, M8X 12 PLATED	16							
13	1	22312-120200	PIN, PARALLEL M12X20	2							

Remarks

(1)Optional parts.

(A)=4TNE92-HRJ

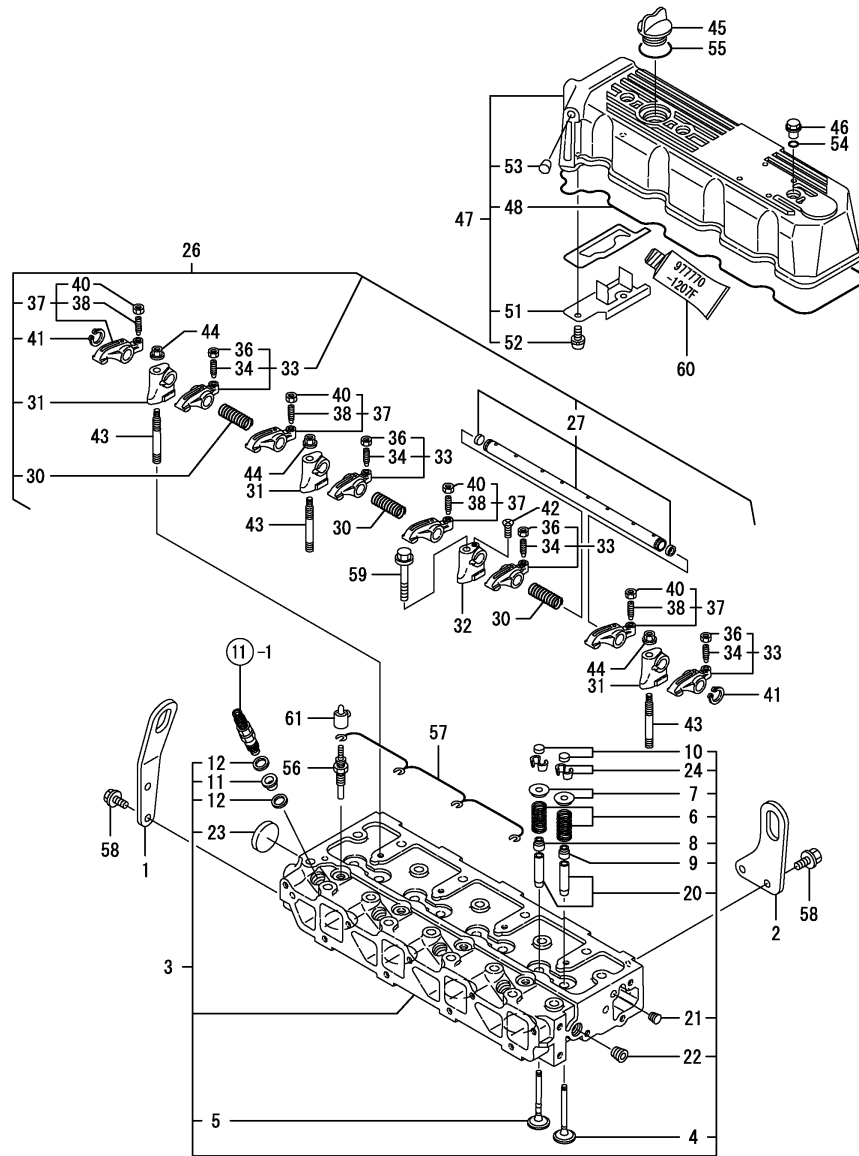
(B)=

(C)=

(D)=

(E)=

(F)=



No.	Lev.	Parts No.	Description	Q'ty						I	R
				(A)	(B)	(C)	(D)	(E)	(F)		
1	1	129930-07910	LIFTER	1							
2	1	129910-07910	LIFTER	1							
3	1	129904-11700	HEAD ASSY, CYLINDER	1							
4	2	129900-11100	VALVE, INTAKE	4							
5	2	129900-11110	VALVE, EXHAUST	4							
6	2	129900-11120	SPRING, VALVE	8							
7	2	129795-11180	RETAINER, SPRING	8							
8	2	121400-11340	SEAL, VALVE STEM	4							
9	2	124460-11340	SEAL, VALVE STEM	4							
10	2	129150-11370	CAP, VALVE	8							
11	2	129901-11450	PROTECTOR, NOZZLE	4							
12	2	119600-11460	GASKET, NOZZLE	8							
20	2	129150-11810	GUIDE, VALVE	8							1
21	2	23871-005000	PLUG, R005	1							
22	2	23876-030000	PLUG, R03	1							
23	2	27241-400000	PLUG, 40	1							
24	2	27310-080001	COTTER, 8	8							
26	1	129900-11200	SUPPORT ASSY, ARM	1							
27	2	129900-11240	SHAFT ASSY, ROCKER	1							
30	2	129900-11280	SPRING	3							
31	2	129900-11510	SUPPORT, ROCKER ARM	3							
32	2	129900-11520	SUPPORT, ROCKER ARM	1							
33	2	129900-11650	ARM, ROCKER	4							
34	3	129150-11230	SCREW, VALVE ADJUST	4							
36	3	129150-11750	NUT, M8	4							
37	2	129900-11660	ARM, ROCKER	4							
38	3	129150-11230	SCREW, VALVE ADJUST	4							
40	3	129150-11750	NUT, M8	4							
41	2	22242-000180	RING, 18	2							
42	2	26577-040162	SCREW, M4X16	1							
43	1	129900-11530	STUD	3							
44	1	26306-100002	NUT, M10	3							
45	1	124160-01751	COVER, FILLER	1							
46	1	124160-11360	KNOB	3							
47	1	129900-11370	BONNET ASSY, HEAD	1							
48	2	129900-11310	GASKET, BONNET	1							
51	2	129900-11600	PLATE, BAFFLE	1							
52	2	22857-500100	SCREW, 5X10	2							
53	2	27225-080080	PLUG, 8X 8	1							
54	1	24311-000120	O-RING, 1AP12.0	3							
55	1	24311-000320	O-RING, 1AP32.0	1							
56	1	119717-77800	PLUG, GLOW	4							
57	1	129901-77820	CONNECTOR, GLOW PLUG	1							
58	1	26106-080162	BOLT, M8X 16 PLATED	4							
59	1	26106-100652	BOLT, M10X 65 PLATED	1							
60	1	977770-1207F	GASKET.LIQUID	1							2
61	1	119326-77820	COVER	4							

Remarks

- (1)Repair parts.
- (2)Optional parts.

(A)=4TNE92-HRJ

(B)=

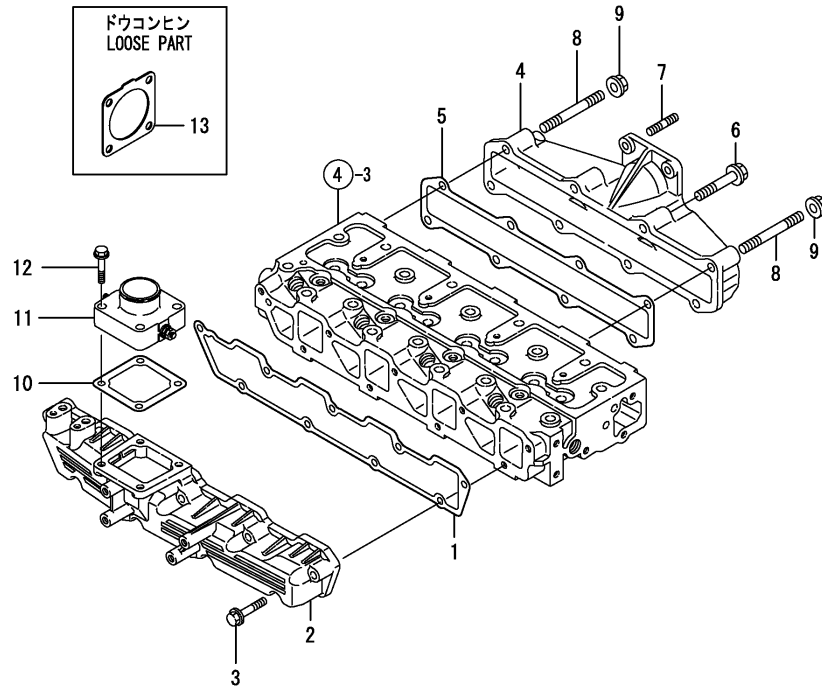
(C)=

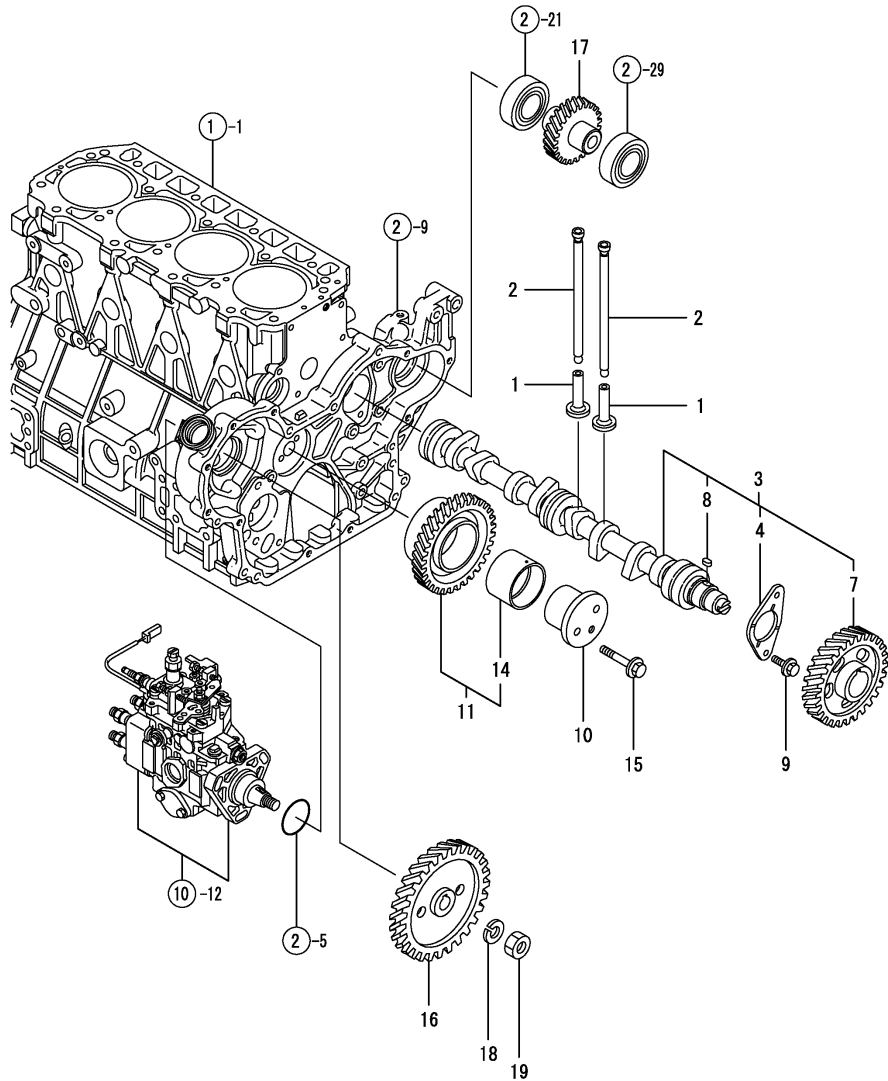
(D)=

(E)=

(F)=

No.	Lev.	Parts No.	Description	Q'ty						I	R
				(A)	(B)	(C)	(D)	(E)	(F)		
1	1	129900-12050	GASKET, MANIFOLD	1							
2	1	129900-12100	MANIFOLD, AIR INTAKE	1							
3	1	26106-080452	BOLT, M8X 45 PLATED	9							
4	1	129900-13120	MANIFOLD, EXHAUST	1							
5	1	129900-13150	GASKET	1							
6	1	119802-13610	BOLT, M8X45	6							
7	1	119131-18320	STUD, M8X22	4							
8	1	119802-13720	STUD, M8X45	2							
9	1	26306-080002	NUT, M8	2							
10	1	121850-77021	GASKET	1							
11	1	129915-77050	HEATER	1							
12	1	26106-080352	BOLT, M8X 35 PLATED	4							
13	1	129930-13201	GASKET, SILENCER	1							





(A)=4TNE92-HRJ

(B)=

(C)=

(D)=

(E)=

(F)=

No.	Lev.	Parts No.	Description	Q'ty						I	R
				(A)	(B)	(C)	(D)	(E)	(F)		
1	1	129150-14200	TAPPET	8							
2	1	129900-14400	ROD, PUSH	8							
3	1	129900-14590	CAMSHAFT ASSY	1							
4	2	129150-02450	BEARING, THRUST	1							
7	2	129900-14110	GEAR, CAMSHAFT	1							
8	2	22512-070140	KEY, 7X 14	1							
9	1	26106-080142	BOLT, M8X 14 PLATED	2							
10	1	129900-25060	SHAFT, IDLE	1							
11	1	129900-25110	GEAR ASSY, IDLE	1							
14	2	129150-25920	BUSH, IDLE GEAR	1							1
15	1	26106-080552	BOLT, M8X 55 PLATED	2							
16	1	129901-25900	GEAR, PUMP	1							
17	1	129900-26020	GEAR ASSY, PUMP	1							
18	1	22217-140000	WASHER, SPRING 14	1							
19	1	26776-140002	NUT, LOCK M14	1							

Remarks

(1)Repair parts.

N:Old $\xrightarrow{\text{Yes}}$ New, Q:Old $\xrightarrow{\text{No}}$ New, R:Old $\xrightarrow{\text{Yes}}$ New, S:Old $\xrightarrow{\text{No}}$ New, W:Add, Z:Discontinued, F:Interchangeable by set, K:Q'ty Change

(A)=4TNE92-HRJ

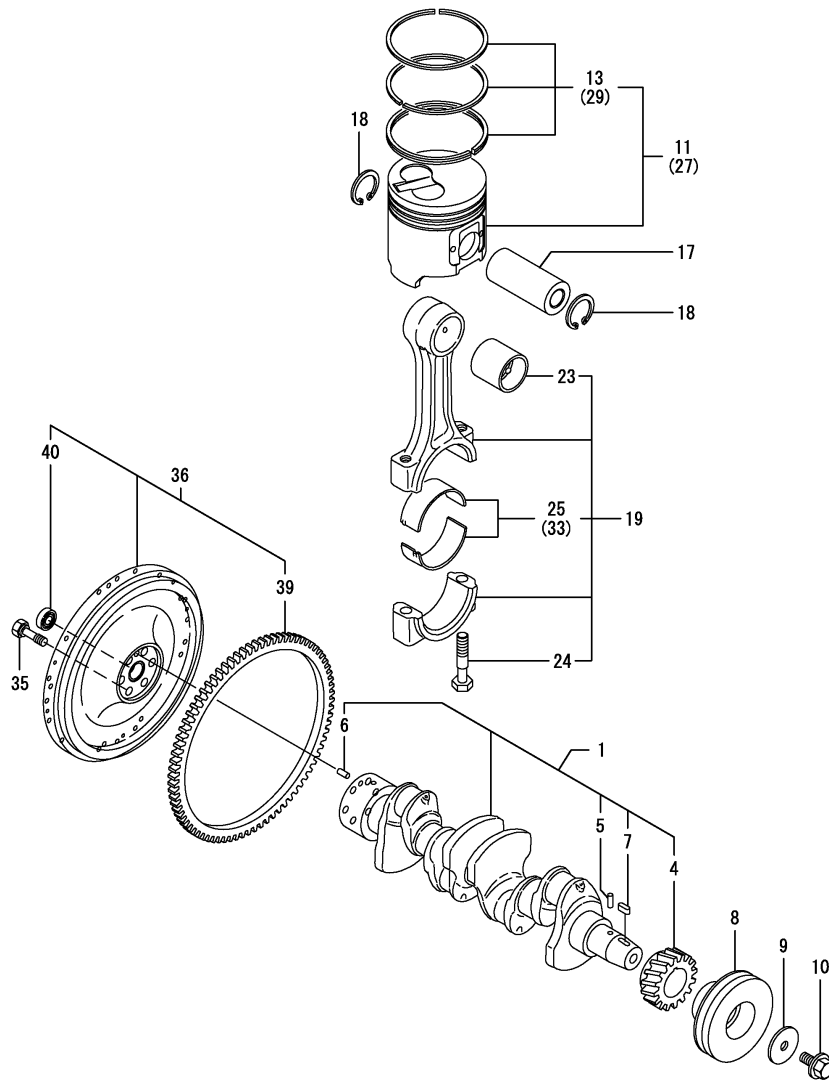
(B)=

(C)=

(D)=

(E)=

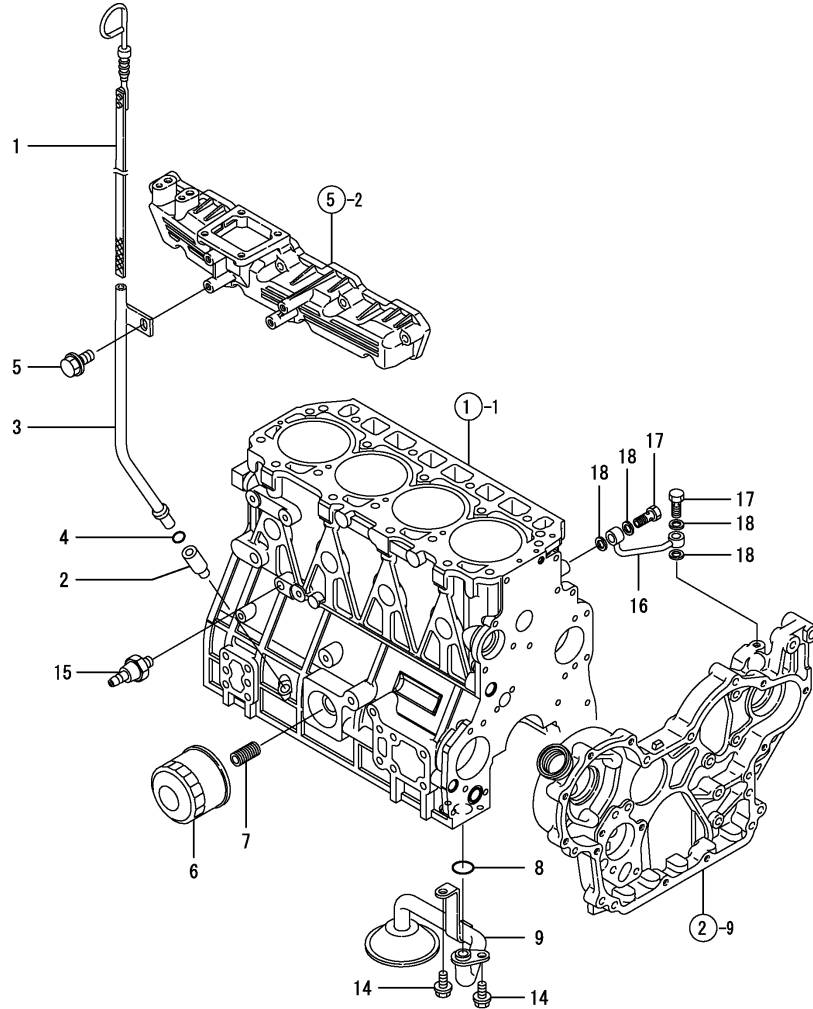
(F)=



No.	Lev.	Parts No.	Description	Q'ty						I	R
				(A)	(B)	(C)	(D)	(E)	(F)		
1	1	129900-21050	CRANKSHAFT ASSY	1							
4	2	129900-21220	GEAR, CRANKSHAFT	1							
5	2	121850-21290	PIN	1							
6	2	121850-21920	PIN, M10X22	1							
7	2	22512-070140	KEY, 7X 14	1							
8	1	129907-21660	V-PULLEY, 130	1							
9	1	129900-21640	WASHER	1							
10	1	121850-21680	BOLT	1							
11	1	129904-22120	PISTON ASSY, IDI	4							
13	2	129904-22050	RING SET, PISTON	4							
17	1	120130-22301	PIN, PISTON	4							
18	1	22252-000300	RING, 30	8							
19	1	129900-23001	ROD ASSY, CONNECTING	4							
23	2	129900-23911	BEARING, PISTON PIN	4							1
24	2	129900-23200	BOLT, CONNECTING ROD	8							
25	2	129900-23601	BEARING, CRANK PIN	4							
27	1	129904-22940	PISTON ASSY, 0.25 OS	4							2
29	2	129904-22950	RING SET, 0.25 OS	4							2
33	1	129900-23611	BEARING, 0.25 US	4							3
35	1	121850-21130	BOLT, FLYWHEEL	6							
36	1	129906-21520	FLYWHEEL ASSY	1							
39	2	129900-21600	GEAR, RING	1							
40	2	129930-21690	BEARING, BALL 6202	1							

Remarks

- (1) Repair parts.
- (2) Over-sized (O.S.=0.25) parts.
- (3) Under-sized (U.S.=0.25) parts.



No.	Lev.	Parts No.	Description	Q'ty						I	R
				(A)	(B)	(C)	(D)	(E)	(F)		
1	1	129930-34800	DIPSTICK, OIL	1							
2	1	119260-34810	GUIDE, DIPSTICK	1							
3	1	129930-34810	GUIDE, DIPSTICK	1							
4	1	24311-240100	O-RING, 1AP10A	1							
5	1	26106-080162	BOLT, M8X 16 PLATED	1							
6	1	129150-35153	FILTER	1							1
7	1	119000-35140	BOLT, FILTER	1							
8	1	129900-32030	O-RING, P20	1							
9	1	129930-35000	PIPE ASSY, OIL INLET	1							
14	1	26106-080122	BOLT, M8X 12 PLATED	2							
15	1	114250-39450	SWITCH, 0.5KG	1							
16	1	129930-39050	PIPE, OIL	1							
17	1	105010-39140	BOLT, PIPE JOINT	2							
18	1	22190-080002	WASHER, SEAL 6	4							

Remarks

(1)Repair parts.

(A)=4TNE92-HRJ

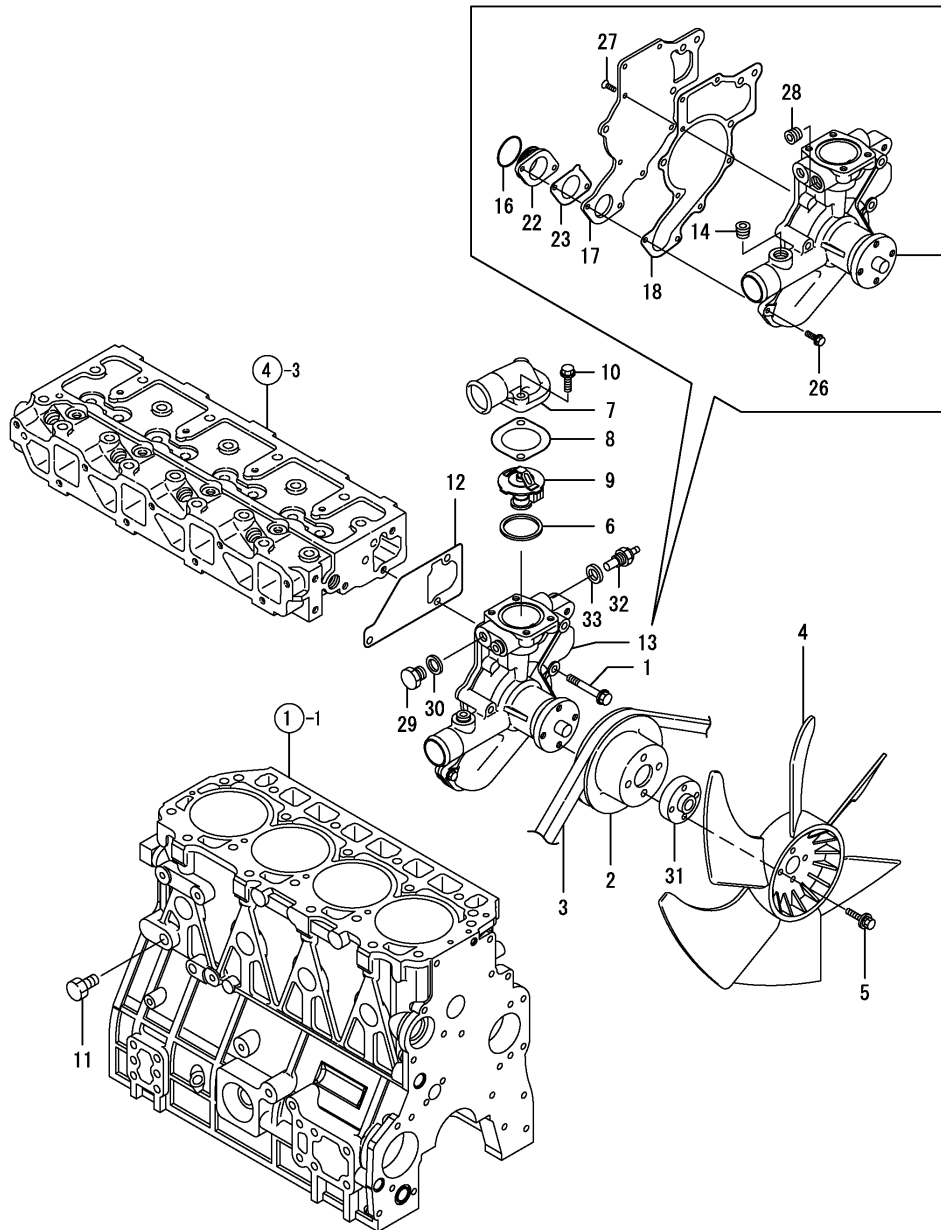
(B)=

(C)=

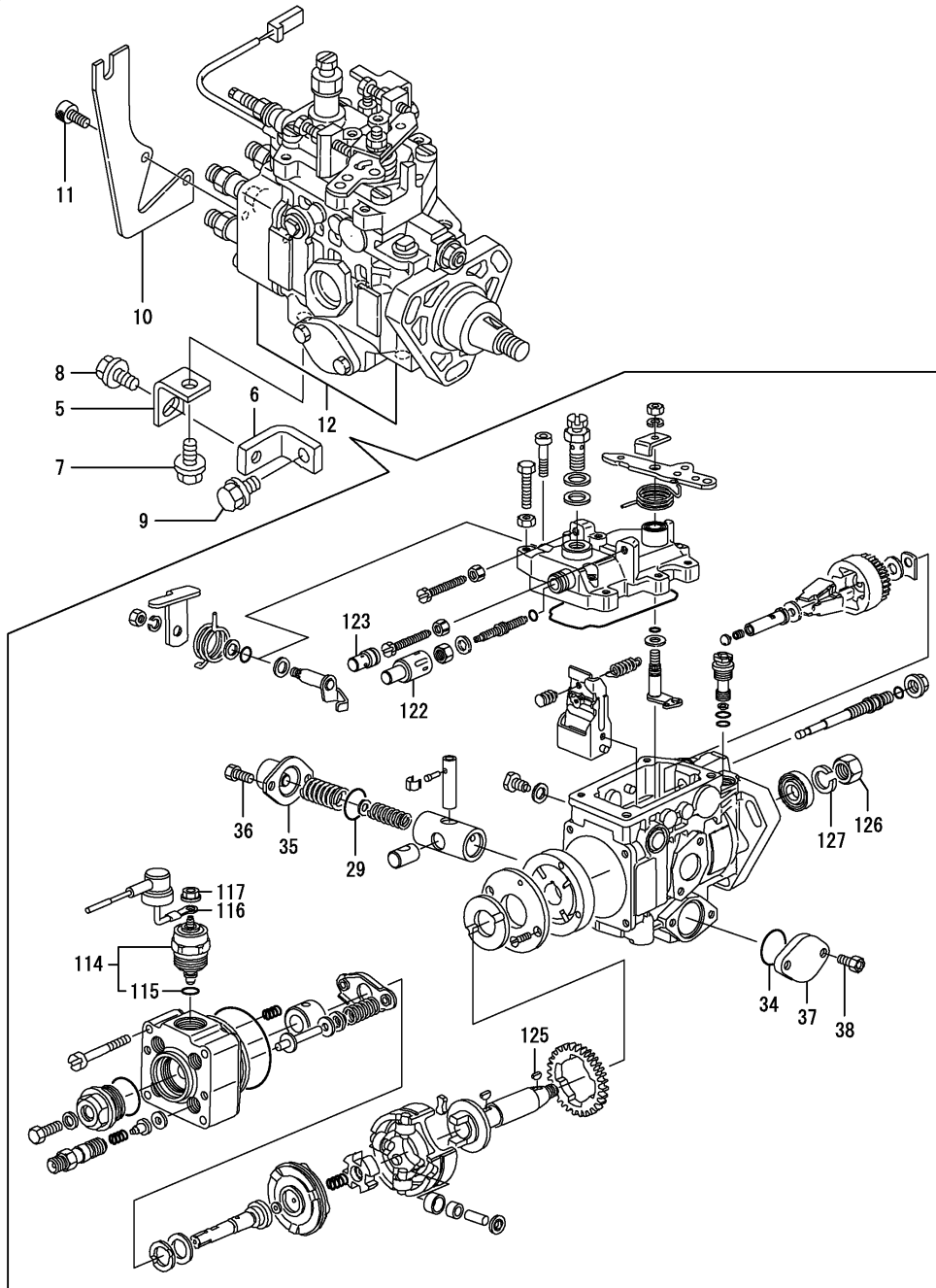
(D)=

(E)=

(F)=



No.	Lev.	Parts No.	Description	Qty						I	R
				(A)	(B)	(C)	(D)	(E)	(F)		
1	1	26106-080552	BOLT, M8X 55 PLATED	3							
2	1	129900-42461	V-PULLEY	1							
3	1	25132-004300	V-BELT, A43	1							
4	1	129916-44740	FAN, COOLING D=430	1							
5	1	26014-080352	BOLT, M8X 35	4							
6	1	121850-49550	GASKET, THERMOSTAT	1							
7	1	129900-49551	COVER, THERMOSTAT	1							
8	1	129900-49560	GASKET	1							
9	1	121850-49800	THERMOSTAT, 82	1							
10	1	26106-080252	BOLT, M8X 25 PLATED	2							
11	1	171056-49120	PLUG, DRAIN	1							
12	1	129900-42061	GASKET, WATER PUMP	1							
13	1	129917-42010	PUMP ASSY, WATER	1							
14	2	129916-49740	PLUG, R03	1							
16	2	129900-42140	O-RING, P36	1							
17	2	129917-42160	COVER	1							
18	2	129917-42170	GASKET	1							
22	2	129917-42300	FLANGE	1							
23	2	129917-42310	GASKET	1							
26	2	26106-060202	BOLT, M6X 20 PLATED	2							
27	2	26577-060142	SCREW M 6X 14	6							
28	2	23875-010000	PLUG, R01	1							
29	1	121450-42450	PLUG, M16	1							
30	1	124465-44950	GASKET, 16	1							
31	1	119130-44760	SPACER, FAN	1							
32	1	124250-49351	SENSOR	1							
33	1	129150-49360	GASKET	1							



(A)=4TNE92-HRJ

(B)=

(C)=

(D)=

(E)=

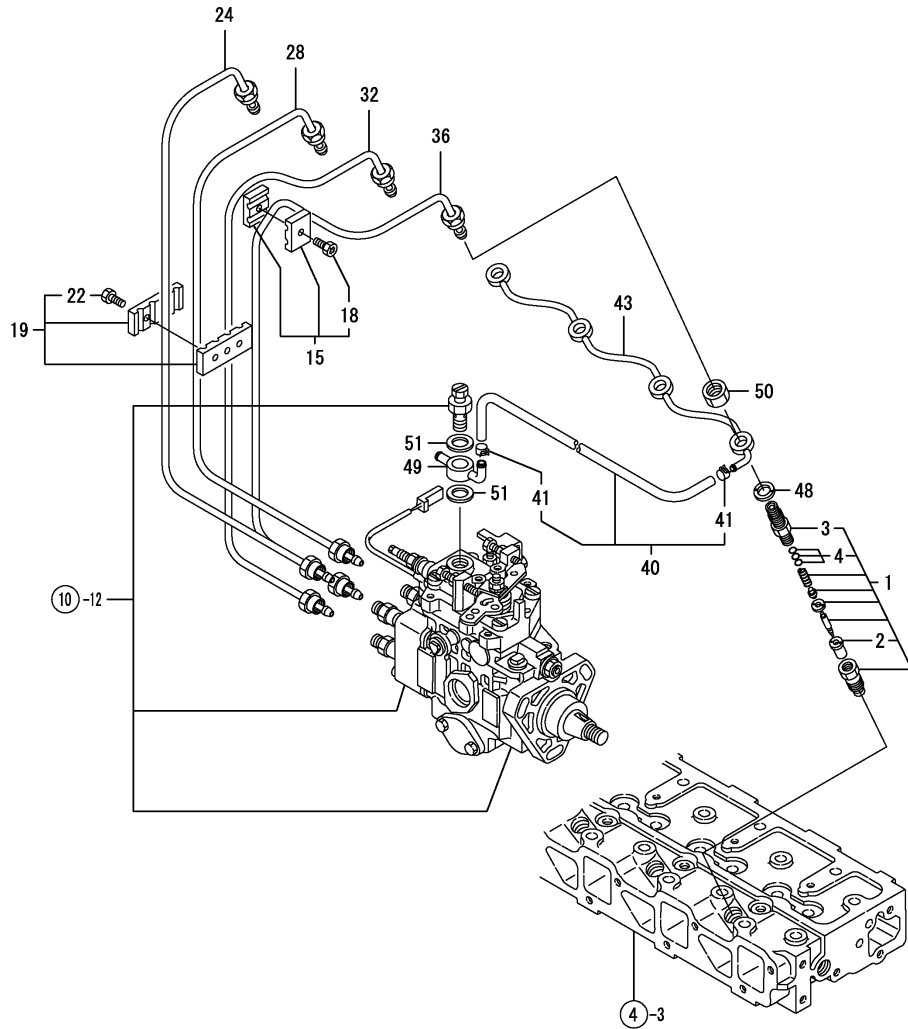
(F)=

No.	Lev.	Parts No.	Description	Q'ty						I	R
				(A)	(B)	(C)	(D)	(E)	(F)		
5	1	129904-01950	RETAINER	1							
6	1	129901-01960	STAY	1							
7	1	26106-100142	BOLT, M10X 14 PLATED	1							
8	1	26106-100162	BOLT, M10X 16 PLATED	1							
9	1	26106-100202	BOLT, M10X 20 PLATED	1							
10	1	129930-67010	BRACKET	1							
11	1	26450-060252	BOLT, M6X 25	2							
12	1	129917-51410	PUMP ASSY, INJECTION	1							
29	2	X1466000800	O-RING	1							
34	2	X1466000800	O-RING	1							
35	2	X1463104020	COVER	1							
36	2	X1466205000	BOLT	2							
37	2	X1463105100	COVER	1							
38	2	X1466205000	BOLT	2							
114	2	X1466501220	VALVE	1							
115	3	X1466001700	O-RING	1							
116	2	X1466584820	WIRE	1							
117	2	X1466214901	NUT	1							
122	2	X1465981000	CAP	1							
123	2	X0299985720	CAP	1							
125	2	X0294704030	KEY	1							
126	2	X0131214140	NUT	1							
127	2	X0293214050	WASHER	1							

(A)=4TNE92-HRJ
(B)=
(C)=

(D)=
(E)=
(F)=

No.	Lev.	Parts No.	Description	Q'ty						I	R
				(A)	(B)	(C)	(D)	(E)	(F)		
1	1	129931-53000	VALVE ASSY,INJECTION	4							
2	2	119717-53010	VALVE ASSY,INJECTION	4							
3	2	129901-53020	HOLDER, NOZZLE	4							
4	2	129901-53800	SHIM SET, ADJUSTING	3							1
15	1	119305-59120	RETAINER, PIPE	2							
18	2	129150-59131	BOLT, M4X14	2							
19	1	129550-59120	RETAINER, PIPE	1							
22	2	129150-59131	BOLT, M4X14	2							
24	1	129901-59810	PIPE ASSY, INJECTION	1							
28	1	129901-59820	PIPE ASSY, INJECTION	1							
32	1	129901-59830	PIPE ASSY, INJECTION	1							
36	1	129901-59840	PIPE ASSY, INJECTION	1							
40	1	105225-59500	PIPE ASSY, RETURN	1							
41	2	124066-59100	CLIP, HOSE 8	2							
43	1	129901-59510	PIPE ASSY, RETURN	1							
48	1	129901-59560	GASKET	4							
49	1	129901-59580	JOINT, PIPE	1							
50	1	119620-59700	NUT, NOZZLE	4							
51	1	22190-120002	WASHER, SEAL 12	2							

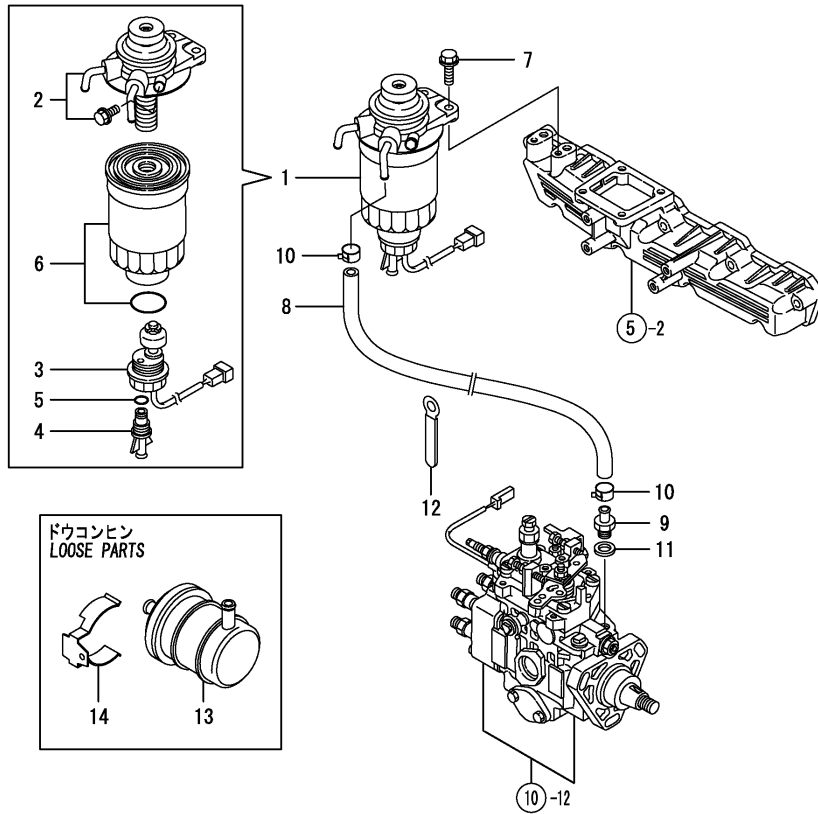


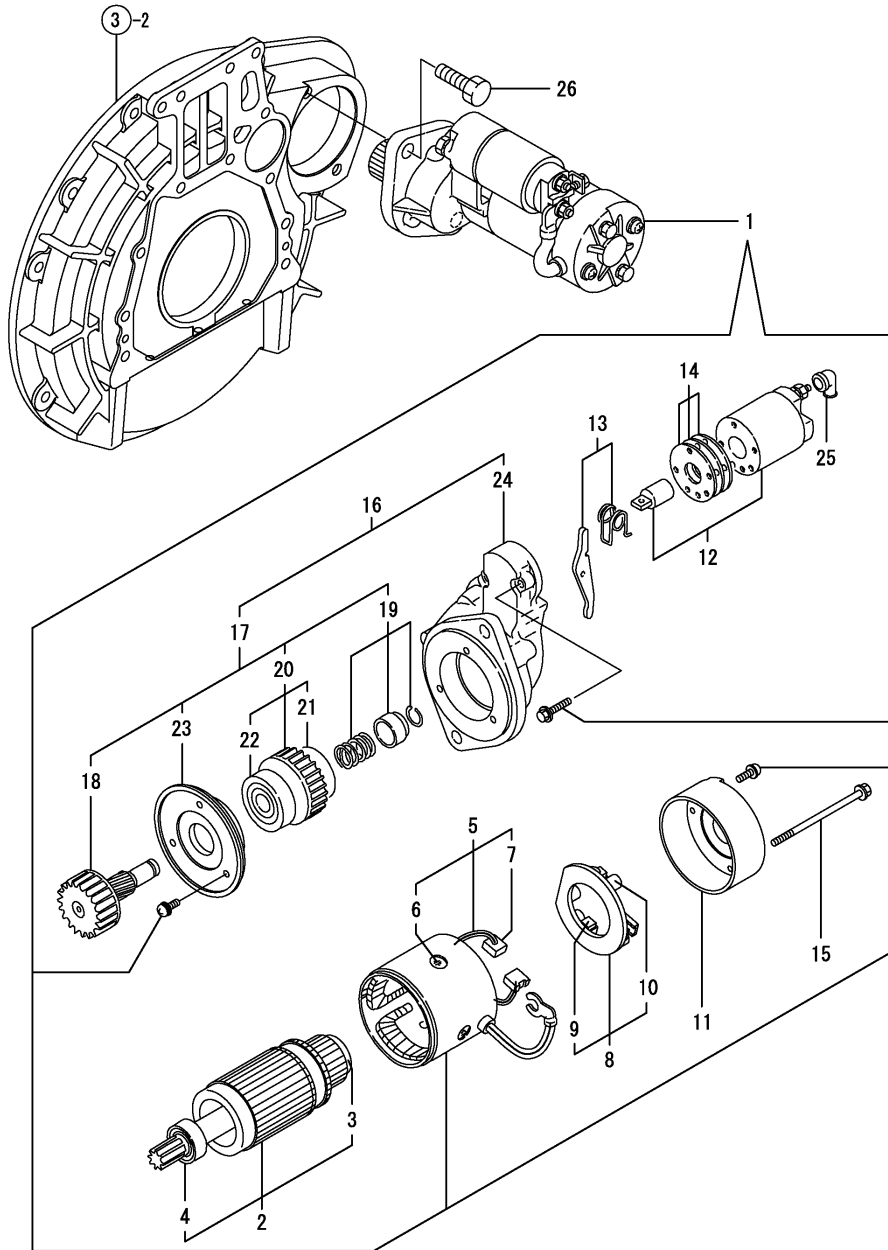
Remarks
(1)Repair parts.

(A)=4TNE92-HRJ
(B)=
(C)=

(D)=
(E)=
(F)=

No.	Lev.	Parts No.	Description	Q'ty						I	R
				(A)	(B)	(C)	(D)	(E)	(F)		
1	1	129917-55800	FILTER ASSY, FUEL	1							
2	2	129917-55810	BODY	1							
3	2	129917-55820	SENSOR ASSY	1							
4	2	129917-55830	PLUG, DRAIN	1							
5	2	129917-55840	O-RING	1							
6	2	129917-55850	ELEMENT KIT	1							
7	1	26106-080252	BOLT, M8X 25 PLATED	2							
8	1	129901-59500	PIPE, FUEL D13X655	1							
9	1	119171-59910	JOINT, PIPE	1							
10	1	23000-013000	CLAMP, 13	2							
11	1	22190-120002	WASHER, SEAL 12	1							
12	1	105430-67110	CLAMP, CORD	2							
13	1	129052-55630	FILTER, FUEL	1							
14	1	198072-04320	CLAMP, FILTER	1							





(A)=4TNE92-HRJ

(B)=

(C)=

(D)=

(E)=

(F)=

No.	Lev.	Parts No.	Description	Q'ty						I	R
				(A)	(B)	(C)	(D)	(E)	(F)		
1	1	129900-77010	STARTER	1							
2	2	129900-77400	ARMATURE ASSY	1							
3	3	X2114155110	BEARING, BALL	1							
4	3	X2114255110	BEARING, BALL	1							
5	2	129900-77440	COIL ASSY, FIELD	1							
6	3	171008-77450	SCREW	4							
7	3	129900-77450	BRUSH	2							
8	2	129900-77480	HOLDER ASSY, BRUSH	1							
9	3	129900-77450	BRUSH	2							
10	3	X2130631300	SPRING, BRUSH	4							
11	2	129900-77460	COVER	1							
12	2	129900-77591	SWITCH ASSY	1							
13	2	129900-77620	LEVER SET	1							
14	2	129900-77650	COVER ASSY, DUST	1							
15	2	129900-77640	BOLT, THROUGH	2							
16	2	129900-77700	CASE ASSY	1							
17	3	129900-77510	PINION ASSY	1							
18	4	129900-77540	SHAFT	1							
19	4	129900-77550	STOPPER SET	1							
20	4	129900-77520	CLUTCH ASSY	1							
21	4	171008-77730	BEARING, BALL	1							
22	4	171008-77740	BEARING	1							
23	4	129900-77610	RETAINER	1							
24	3	129900-77710	CASE, GEAR	1							
25	2	171008-77750	COVER	1							
26	1	26116-120302	BOLT, M12X 30 PLATED	2							

(A)=4TNE92-HRJ

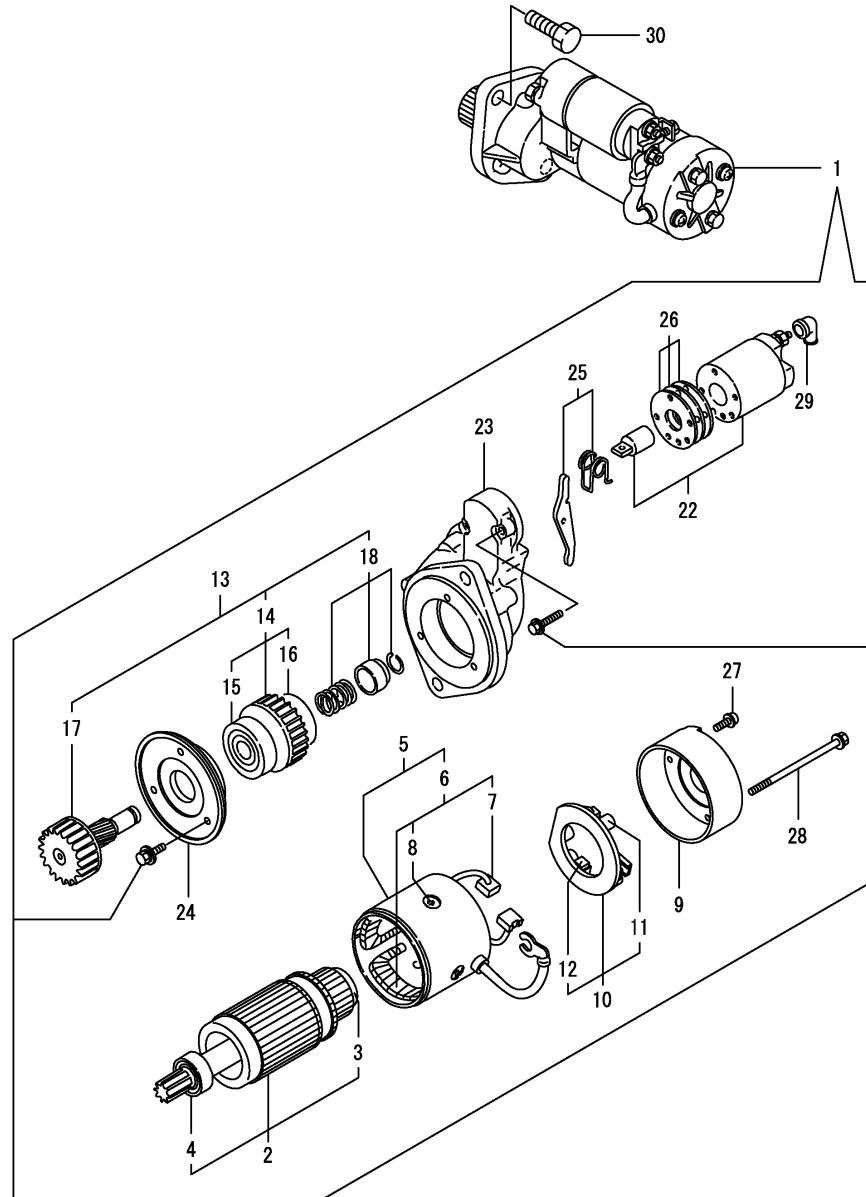
(B)=

(C)=

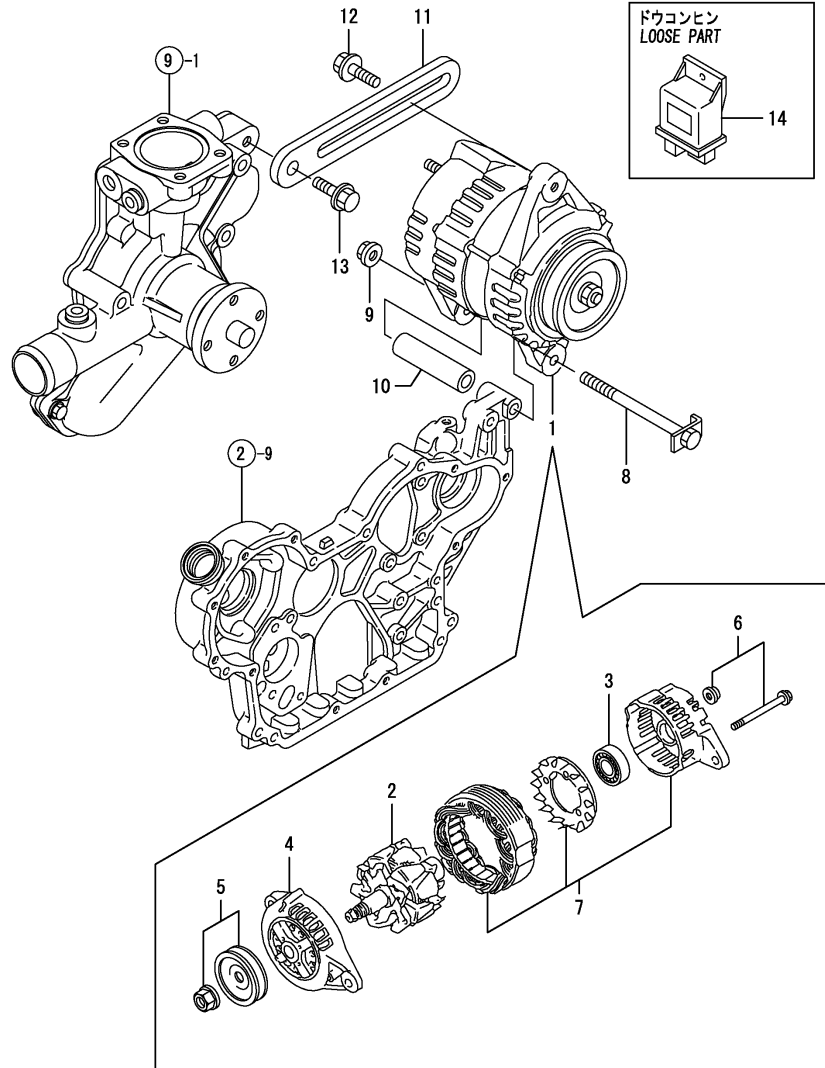
(D)=

(E)=

(F)=



No.	Lev.	Parts No.	Description	Q'ty						I	R
				(A)	(B)	(C)	(D)	(E)	(F)		
1	1	129900-77040	STARTER	1							
2	2	129900-77120	ARMATURE ASSY	1							
3	3	171008-77410	BEARING	1							
4	3	171008-77420	BEARING	1							
5	2	129900-77130	YOKE ASSY	1							
6	3	129900-77140	COIL ASSY, FIELD	1							
7	4	129900-77450	BRUSH	2							
8	4	171008-77450	SCREW	4							
9	2	129900-77150	COVER	1							
10	2	129900-77160	HOLDER ASSY, BRUSH	1							
11	3	X2130631300	SPRING, BRUSH	4							
12	3	129900-77450	BRUSH	2							
13	2	129900-77170	CLUTCH	1							
14	3	129900-77180	CLUTCH ASSY	1							
15	4	X2114955020	BEARING, BALL	1							
16	4	129900-77190	BEARING, BALL	1							
17	3	129900-77270	SHAFT, PINION	1							
18	3	171008-77670	STOPPER SET	1							
22	2	129900-77280	SWITCH ASSY	1							
23	2	129900-77290	CASE, GEAR	1							
24	2	129900-77380	RETAINER, BEARING	1							
25	2	129900-77390	LEVER ASSY, SHIFT	1							
26	2	129900-77420	COVER KIT	1							
27	2	129900-77430	SCREW, M4X10	2							
28	2	129685-77640	BOLT, THROUGH	2							
29	2	171008-77750	COVER	1							
30	1	26116-120302	BOLT, M12X 30 PLATED	2							



(A)=4TNE92-HRJ
(B)=
(C)=

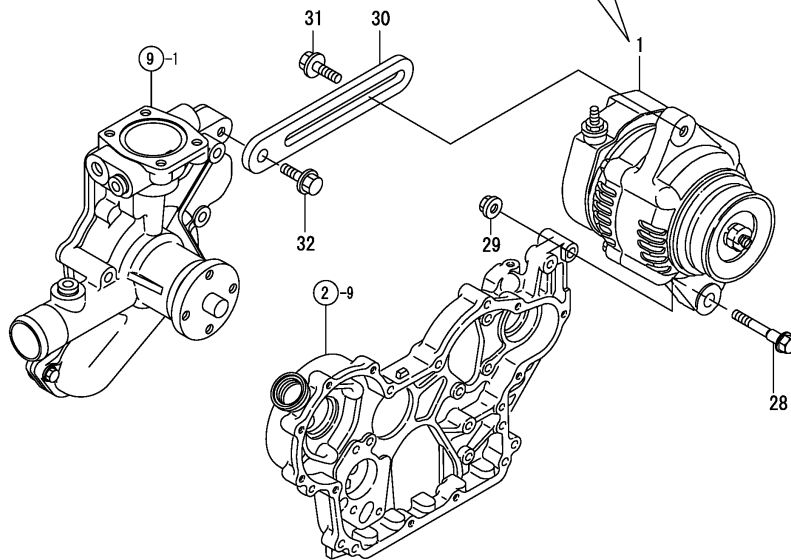
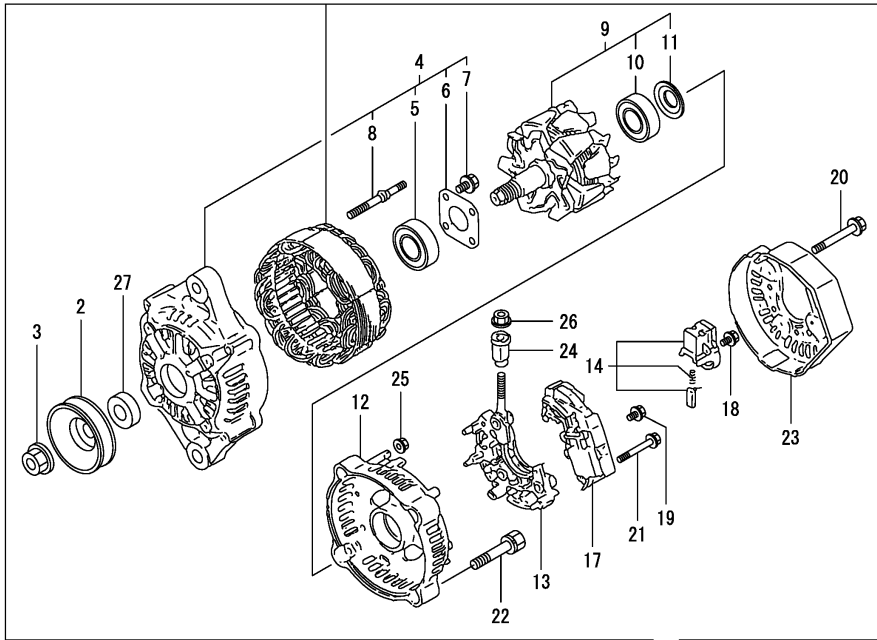
(D)=
(E)=
(F)=

No.	Lev.	Parts No.	Description	Q'ty						I	R
				(A)	(B)	(C)	(D)	(E)	(F)		
1	1	119836-77201	GENERATOR	1							
2	2	129612-77700	ROTOR ASSY	1							
3	2	129612-77710	BEARING, BALL	1							
4	2	129612-77730	BRACKET ASSY, FILTER	1							
5	2	129612-77740	PULLEY	1							
6	2	129612-77750	SCREW KIT	1							
7	2	119836-77920	BRACKET ASSY	1							
8	1	129136-77251	BOLT, M8X110	1							
9	1	129612-77260	NUT, ALTERNATOR	1							
10	1	129150-77340	SPACER	1							
11	1	129900-77330	ADJUSTER	1							
12	1	119810-77340	BOLT, ADJUSTER	1							
13	1	26014-080252	BOLT, M8X 25	1							
14	1	129930-77950	CONTROLLER	1							

Remarks

* This item is applicable to [(A)=EZZZZ-1] or previous machines (Refer to Fig.18)

N:Old $\xrightarrow{\text{Yes}}$ New, Q:Old $\xrightarrow{\text{No}}$ New, R:Old $\xrightarrow{\text{Yes}}$ New, S:Old $\xrightarrow{\text{No}}$ New, W:Add, Z:Discontinued, F:Interchangeable by set, K:Q'ty Change



No.	Lev.	Parts No.	Description	Q'ty						I	R
				(A)	(B)	(C)	(D)	(E)	(F)		
1	1	129961-77200	GENERATOR, 12V-55A	1							
2	2	119620-77461	PULLEY	1							
3	2	119620-77471	NUT	1							
4	2	129961-77421	FRAME ASSY	1							
5	3	119620-79200	BEARING, BALL	1							
6	3	119620-79210	PLATE, RETAINER	1							
7	3	119620-79220	SCREW	4							
8	3	119620-79230	STUD	2							
9	2	129052-77380	ROTOR ASSY	1							
10	3	123501-79240	BEARING, BALL	1							
11	3	119620-79250	COVER	1							
12	2	128401-77440	FRAME	1							
13	2	129052-79260	HOLDER	1							
14	2	129052-79270	HOLDER, BRUSH	1							
17	2	119620-77710	REGULATOR ASSY	1							
18	2	119620-79290	SCREW	6							
19	2	119620-79300	SCREW	1							
20	2	119620-79310	BOLT	3							
21	2	119620-79320	SCREW	2							
22	2	119620-79330	BOLT	2							
23	2	128401-77450	COVER	1							
24	2	119620-79340	BUSH, INSULATION	1							
25	2	119620-79350	NUT	2							
26	2	X9490561001	NUT	1							
27	2	119620-77490	COLLAR	1							
28	1	129960-77250	BOLT, GENERATOR	1							
29	1	129612-77260	NUT, ALTERNATOR	1							
30	1	129900-77330	ADJUSTER	1							
31	1	119810-77340	BOLT, ADJUSTER	1							
32	1	26014-080252	BOLT, M8X 25	1							

Remarks

* This item is applicable to [(A)=EZZZZZ] or following machines (Refer to Fig.14)

(A)=4TNE92-HRJ

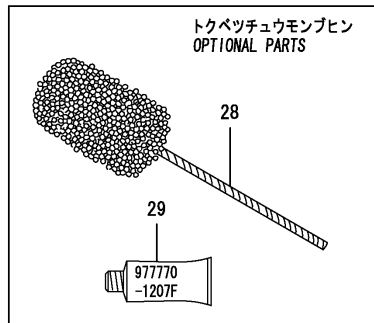
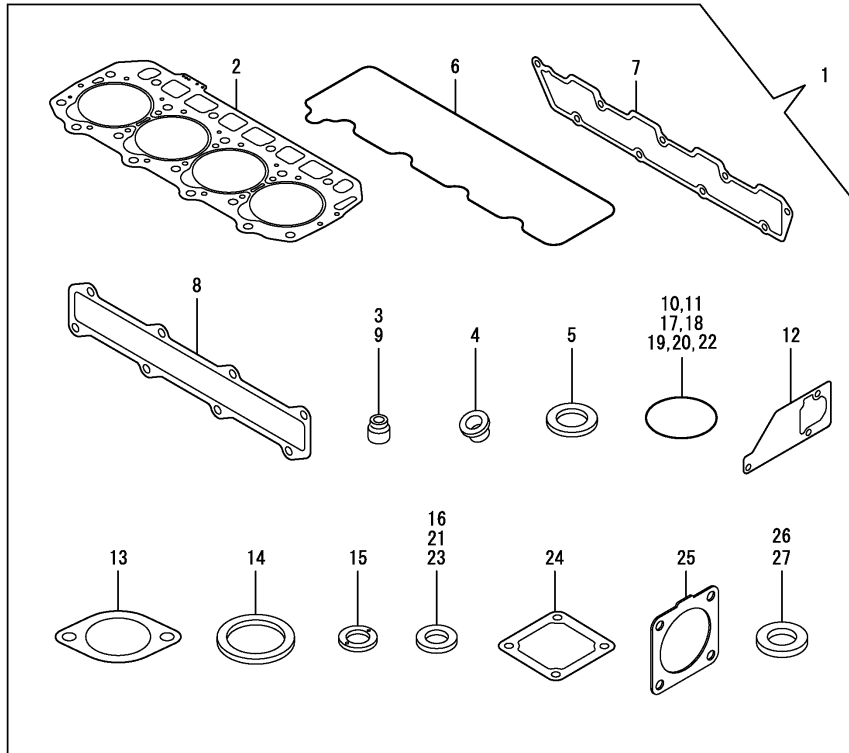
(B)=

(C)=

(D)=

(E)=

(F)=



No.	Lev.	Parts No.	Description	Q'ty						I	R
				(A)	(B)	(C)	(D)	(E)	(F)		
1	1	729901-92710	GASKET SET	1							1
2	2	129901-01350	GASKET, HEAD	1							
3	2	124460-11340	SEAL, VALVE STEM	4							
4	2	129901-11450	PROTECTOR, NOZZLE	4							
5	2	119600-11460	GASKET, NOZZLE	8							
6	2	129900-11310	GASKET, BONNET	1							
7	2	129900-12050	GASKET, MANIFOLD	1							
8	2	129900-13150	GASKET	1							
9	2	121400-11340	SEAL, VALVE STEM	4							
10	2	129900-32030	O-RING, P20	2							
11	2	129900-32040	O-RING, P14	1							
12	2	129900-42061	GASKET, WATER PUMP	1							
13	2	129900-49560	GASKET	1							
14	2	121850-49550	GASKET, THERMOSTAT	1							
15	2	129901-59560	GASKET	4							
16	2	22190-120002	WASHER, SEAL 12	3							
17	2	24311-240100	O-RING, 1AP10A	1							
18	2	24311-000120	O-RING, 1AP12.0	3							
19	2	24311-000320	O-RING, 1AP32.0	2							
20	2	24341-000500	O-RING, 1AS50.0	1							
21	2	22190-080002	WASHER, SEAL 6	4							
22	2	24321-000850	O-RING, 1AG85.0	1							
23	2	22190-220002	WASHER, SEAL 22	1							
24	2	121850-77021	GASKET	1							
25	2	129930-13201	GASKET, SILENCER	1							
26	2	124465-44950	GASKET, 16	1							
27	2	129150-49360	GASKET	1							
28	1	129400-92440	HONE	1							1
29	1	977770-1207F	GASKET.LIQUID	1							1

Remarks

(1)Optional parts.

N:Old $\begin{matrix} \leftarrow \text{Yes} \\ \text{No} \end{matrix}$ New, Q:Old $\begin{matrix} \leftarrow \text{No} \\ \text{Yes} \end{matrix}$ New, R:Old $\begin{matrix} \leftarrow \text{Yes} \\ \text{Yes} \end{matrix}$ New, S:Old $\begin{matrix} \leftarrow \text{No} \\ \text{No} \end{matrix}$ New, W:Add, Z:Discontinued, F:Interchangeable by set, K:Q'ty Change

Copyright (C) YANMAR CO., LTD. All Rights Reserved.



Parts No. Index

Parts No.	Fig. No.	Ref. No.
105010-39140	8	17
105225-59500	11	40
105430-67110	12	12
114250-39450	8	15
119000-35140	8	7
119130-44760	9	31
119131-18320	5	7
119171-59910	12	9
119260-34810	8	2
119305-59120	11	15
119326-77820	4	61
119600-11460	4	12
	15	5
119620-59700	11	50
119620-77461	17	2
119620-77471	17	3
119620-77490	17	27
119620-77710	17	17
119620-79200	17	5
119620-79210	17	6
119620-79220	17	7
119620-79230	17	8
119620-79250	17	11
119620-79290	17	18
119620-79300	17	19
119620-79310	17	20
119620-79320	17	21
119620-79330	17	22
119620-79340	17	24
119620-79350	17	25
119640-01640	3	9
119717-53010	11	2
119717-77800	4	56
119802-13610	5	6
119802-13720	5	8
119810-77340	14	12
	17	31
119836-77201	14	1
119836-77920	14	7
120130-22301	7	17
121023-26070	2	23
121400-11340	4	8
	15	9
121450-42450	9	29
121850-21130	7	35
121850-21290	7	5
121850-21680	7	10
121850-21920	7	6
121850-49550	9	6
	15	14

Parts No.	Fig. No.	Ref. No.
121850-49800	9	9
121850-77021	5	10
	15	24
123501-79240	17	10
124066-59100	11	41
124160-01751	2	6
	4	45
124160-11360	4	46
124250-49351	9	32
124460-11340	4	9
	15	3
124465-44950	9	30
	15	26
128401-77440	17	12
128401-77450	17	23
129001-91810	2	36
		37
129052-55630	12	13
129052-77380	17	9
129052-79260	17	13
129052-79270	17	14
129100-01580	2	27
	3	1
129136-77251	14	8
129150-02450	6	4
129150-11230	4	34
		38
129150-11370	4	10
129150-11750	4	36
		40
129150-11810	4	20
129150-14200	6	1
129150-25920	6	14
129150-35153	8	6
129150-49360	9	33
	15	27
129150-59131	11	18
		22
129150-77340	14	10
129400-92440	15	28
129550-59120	11	19
129612-77260	14	9
	17	29
129612-77700	14	2
129612-77710	14	3
129612-77730	14	4
129612-77740	14	5
129612-77750	14	6
129685-77640	16	28
129795-11180	4	7

Parts No.	Fig. No.	Ref. No.
129900-01200	1	33
129900-01250	1	15
129900-01780	2	3
129900-02020	1	7
129900-02341	1	35
129900-02410	1	10
129900-02931	1	30
129900-02941	1	38
129900-11100	4	4
129900-11110	4	5
129900-11120	4	6
129900-11200	4	26
129900-11240	4	27
129900-11280	4	30
129900-11310	4	48
	15	6
129900-11370	4	47
129900-11510	4	31
129900-11520	4	32
129900-11530	4	43
129900-11600	4	51
129900-11650	4	33
129900-11660	4	37
129900-12050	5	1
	15	7
129900-12100	5	2
129900-13120	5	4
129900-13150	5	5
	15	8
129900-14110	6	7
129900-14140	2	28
129900-14400	6	2
129900-14590	6	3
129900-21050	7	1
129900-21220	7	4
129900-21600	7	39
129900-21640	7	9
129900-23001	7	19
129900-23200	7	24
129900-23601	7	25
129900-23611	7	33
129900-23911	7	23
129900-25060	6	10
129900-25110	6	11
129900-26020	6	17
129900-26250	2	21
		29
129900-32001	2	10
129900-32030	2	25
	8	8

Parts No.	Fig. No.	Ref. No.
129900-32030	15	10
129900-32040	2	26
	15	11
129900-42061	9	12
	15	12
129900-42140	9	16
129900-42461	9	2
129900-49551	9	7
129900-49560	9	8
	15	13
129900-77010	13	1
129900-77040	16	1
129900-77120	16	2
129900-77130	16	5
129900-77140	16	6
129900-77150	16	9
129900-77160	16	10
129900-77170	16	13
129900-77180	16	14
129900-77190	16	16
129900-77270	16	17
129900-77280	16	22
129900-77290	16	23
129900-77330	14	11
	17	30
129900-77380	16	24
129900-77390	16	25
129900-77400	13	2
129900-77420	16	26
129900-77430	16	27
129900-77440	13	5
129900-77450	13	7
		9
	16	7
		12
129900-77460	13	11
129900-77480	13	8
129900-77510	13	17
129900-77520	13	20
129900-77540	13	18
129900-77550	13	19
129900-77591	13	12
129900-77610	13	23
129900-77620	13	13
129900-77640	13	15
129900-77650	13	14
129900-77700	13	16
129900-77710	13	24
129901-01350	1	34
	15	2



Parts No. Index

Parts No.	Fig. No.	Ref. No.
129901-01960	10	6
129901-11450	4	11
	15	4
129901-25900	6	16
129901-53020	11	3
129901-53800	11	4
129901-59500	12	8
129901-59510	11	43
129901-59560	11	48
	15	15
129901-59580	11	49
129901-59810	11	24
129901-59820	11	28
129901-59830	11	32
129901-59840	11	36
129901-77820	4	57
129904-01950	10	5
129904-11700	4	3
129904-22050	7	13
129904-22120	7	11
129904-22940	7	27
129904-22950	7	29
129906-01610	3	2
129906-21520	7	36
129907-21660	7	8
129910-07910	4	2
129915-77050	5	11
129916-01790	3	7
129916-44740	9	4
129916-49740	9	14
129917-42010	9	13
129917-42160	9	17
129917-42170	9	18
129917-42300	9	22
129917-42310	9	23
129917-51410	10	12
129917-55800	12	1
129917-55810	12	2
129917-55820	12	3
129917-55830	12	4
129917-55840	12	5
129917-55850	12	6
129930-01710	3	8
129930-07910	4	1
129930-13201	5	13
	15	25
129930-21690	7	40
129930-34800	8	1
129930-34810	8	3
129930-35000	8	9

Parts No.	Fig. No.	Ref. No.
129930-39050	8	16
129930-67010	10	10
129930-77950	14	14
129931-53000	11	1
129951-01740	2	4
129960-77250	17	28
129961-77200	17	1
129961-77421	17	4
129970-01500	2	9
171008-77410	16	3
171008-77420	16	4
171008-77450	13	6
	16	8
171008-77670	16	18
171008-77730	13	21
171008-77740	13	22
171008-77750	13	25
	16	29
171051-01921	1	6
171056-49120	9	11
198072-04320	12	14
22190-080002	1	11
	8	18
	15	21
22190-120002	11	51
	12	11
	15	16
22190-220002	3	11
	15	23
22217-140000	6	18
22242-000180	4	41
22252-000300	7	18
22312-120200	3	13
22351-060012	1	12
22512-070140	6	8
	7	7
22857-500100	4	52
23000-013000	12	10
23871-005000	4	21
23875-010000	9	28
23876-030000	1	5
	13	
	16	
	4	22
24311-000120	4	54
	15	18
24311-000320	2	7
	4	55
	15	19
24311-240100	8	4

Parts No.	Fig. No.	Ref. No.
24311-240100	15	17
24321-000850	2	24
	15	22
24341-000500	2	5
	15	20
25132-004300	9	3
26014-080252	14	13
	17	32
26014-080352	9	5
26106-060202	9	26
26106-080122	1	14
	3	12
	8	14
26106-080142	6	9
26106-080162	2	30
	4	58
	8	5
26106-080202	2	31
26106-080252	9	10
	12	7
26106-080302	2	32
26106-080352	5	12
26106-080402	2	33
	34	
26106-080452	2	35
	5	3
26106-080552	6	15
	9	1
26106-100122	2	38
26106-100142	10	7
26106-100162	10	8
26106-100202	10	9
26106-100652	4	59
26116-120302	13	26
	16	30
26206-100202	3	6
26206-100352	3	5
26226-080302	2	22
26306-080002	2	39
	5	9
26306-100002	4	44
26450-060252	10	11
26577-040162	4	42
26577-060142	9	27
26776-140002	6	19
27225-080080	4	53
27241-300000	1	17
27241-400000	4	23
27310-080001	4	24
729900-01500	2	1

Parts No.	Fig. No.	Ref. No.
729900-02801	1	27
729901-92710	15	1
729904-01560	1	1
977770-1207F	2	40
	3	4
	4	60
	15	29
X0131214140	10	126
X0293214050	10	127
X0294704030	10	125
X0299985720	10	123
X1463104020	10	35
X1463105100	10	37
X1465981000	10	122
X1466000800	10	29
		34
X1466001700	10	115
X1466205000	10	36
		38
X1466214901	10	117
X1466501220	10	114
X1466584820	10	116
X2114155110	13	3
X2114255110	13	4
X2114955020	16	15
X2130631300	13	10
	16	11
X9490561001	17	26