

0CD50-M00890EN

P R E F A C E

This parts catalog is the 1st edition of 3TNV88F-ESHYB for Hyundai Heavy Industries Co., Ltd.

Published : November, 2014



Fig. No. Fig. Name

Fig. No. Fig. Name

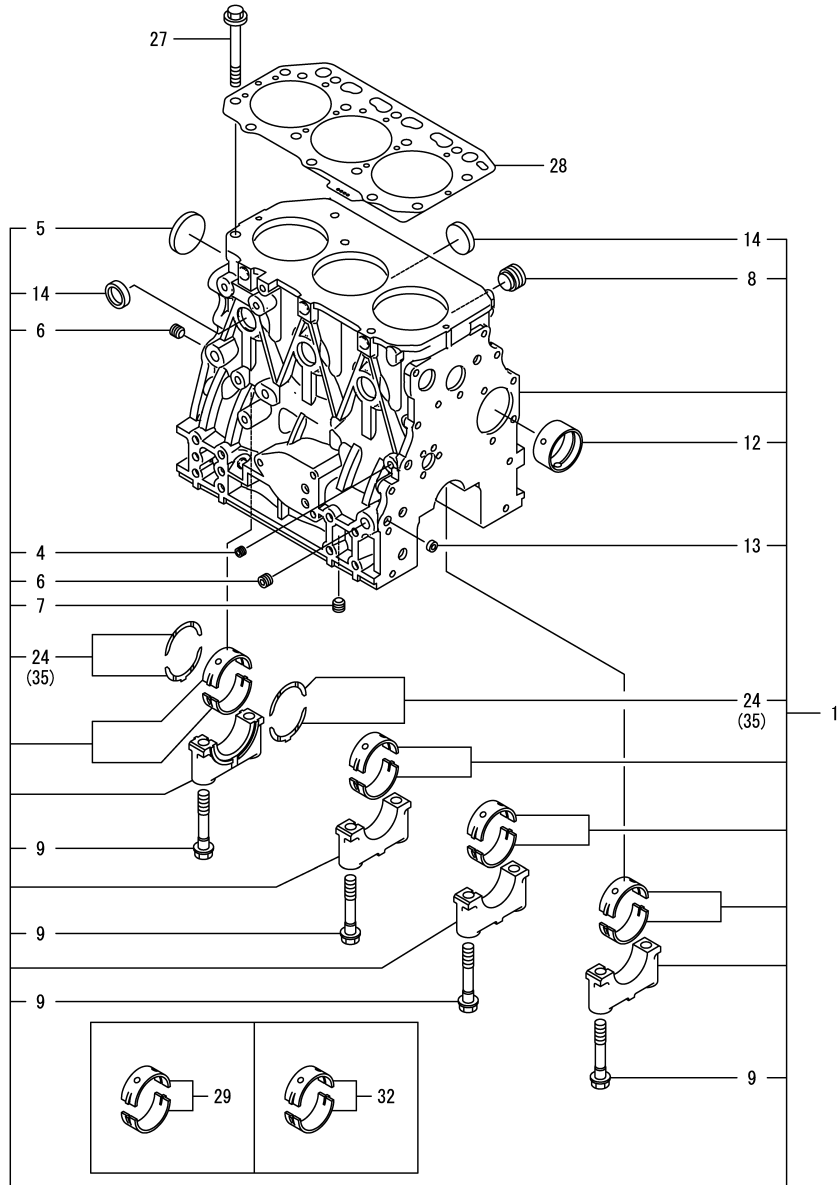
ENGINE

1. CYLINDER BLOCK
2. GEAR HOUSING
3. FLYWHEEL HOUSING & OIL SUMP
4. CYLINDER HEAD & BONNET
5. SUCTION MANIFOLD
6. EXHAUST MANIFOLD
7. CAMSHAFT & DRIVING GEAR
8. CRANKSHAFT & PISTON
9. LUB. OIL SYSTEM
10. COOLING WATER SYSTEM
11. FUEL INJECTION PUMP
12. GOVERNOR
13. FUEL INJECTION VALVE
14. FUEL PIPE
15. STARTER MOTOR
16. GENERATOR
17. ELECTRONIC CONTROL UNIT(ECU)
18. ELECTRIC PARTS
19. GASKET SET & TOOL



(A)=3TNV88F-ESHYB
(B)=
(C)=

(D)=
(E)=
(F)=



No.	Lev.	Parts No.	Description	Q'ty						I	R
				(A)	(B)	(C)	(D)	(E)	(F)		
1	1	729005-01560	BLOCK ASSY, CYLINDER	1							
4	2	124060-01050	PLUG, PT1/8	1							
5	2	129001-01250	PLUG, 50	1							
6	2	124160-01910	PLUG, PT1/4	2							
7	2	124160-01910	PLUG, PT1/4	1							
8	2	171051-01921	PLUG, NPTF1	1							
9	2	129150-02020	BOLT, METAL CAP	8							
12	2	129795-02412	BUSH, CAMSHAFT	1							
13	2	27241-120000	PLUG, 12	2							
14	2	27241-300000	PLUG 30	6							
24	2	129150-02931	BEARING, THRUST	2							
27	1	129150-01200	BOLT, HEAD	14							
28	1	129001-01340	GASKET, HEAD	1							
29	1	129001-02931	BEARING, MAIN	4							1
32	1	129150-02871	BEARING, 0.25 US	4							2
35	1	129150-02941	BEARING, THRUST 0.25	1							3

Remarks

- (1) Spare parts.
- (2) Under-sized (U.S.=0.25) parts.
- (3) Over-sized (O.S.=0.25) parts.

(A)=3TNV88F-ESHYB

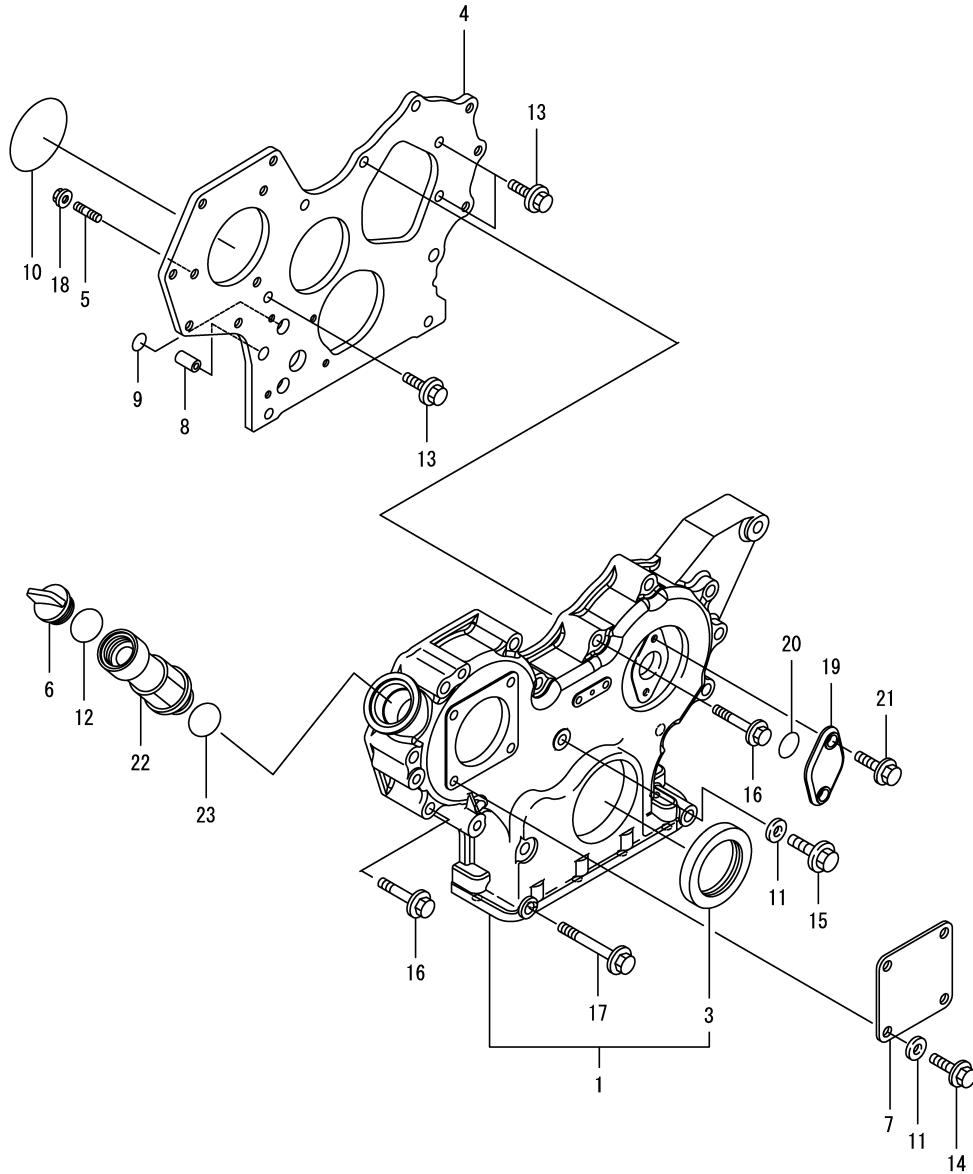
(B)=

(C)=

(D)=

(E)=

(F)=



No.	Lev.	Parts No.	Description	Q'ty						I	R
				(A)	(B)	(C)	(D)	(E)	(F)		
1	1	729630-01500	CASE ASSY, GEAR	1							
3	2	119934-01800	SEAL, OIL	1							
4	1	119803-01520	FLANGE, GEAR CASE	1							
5	1	119802-01561	STUD, M8X25	3							
6	1	124160-01751	COVER, FILLER	1							
7	1	124240-01871	COVER	1							
8	1	129795-01950	PIPE, KNOCK L=18	2							
9	1	119609-32040	O-RING, P16	2							
10	1	121850-51960	O-RING	1							
11	1	22190-080002	WASHER, SEAL 8	5							
12	1	24311-000320	O-RING, 1AP32.0	1							
13	1	26106-080162	BOLT, M8X 16 PLATED	3							
14	1	26106-080162	BOLT, M8X 16 PLATED	4							
15	1	26106-080302	BOLT, M8X 30 PLATED	1							
16	1	26106-080552	BOLT, M8X 55 PLATED	12							
17	1	26106-080852	BOLT, M8X 85 PLATED	3							
18	1	26306-080002	NUT, M8	3							
19	1	121023-01551	COVER	1							
20	1	24341-000240	O-RING, 1AS24.0	1							
21	1	26106-060162	BOLT, M6X 16 PLATED	2							
22	1	171031-11741	PIPE	1							
23	1	24311-000320	O-RING, 1AP32.0	1							

(A)=3TNV88F-ESHYB

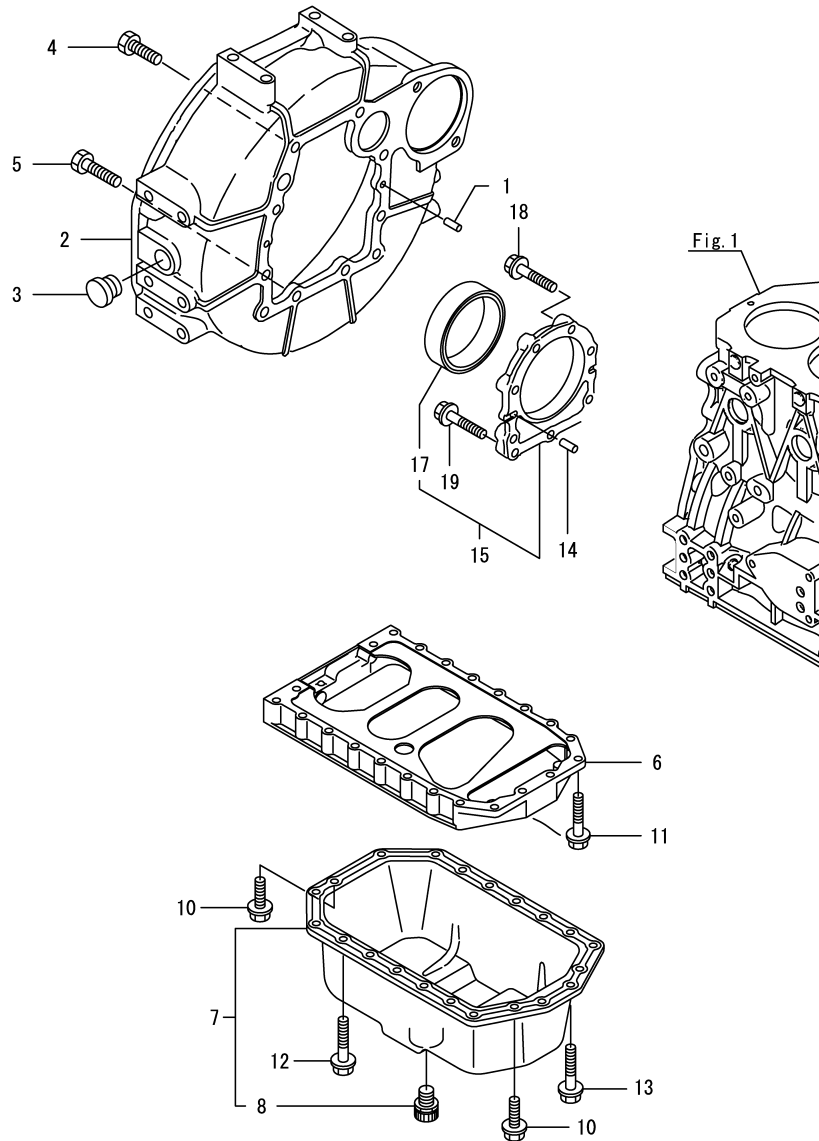
(B)=

(C)=

(D)=

(E)=

(F)=



No.	Lev.	Parts No.	Description	Q'ty						I	R
				(A)	(B)	(C)	(D)	(E)	(F)		
1	1	129100-01580	PIN, 8X16	2							
2	1	129612-01600	HOUSING, FLYWHEEL	1							
3	1	119620-01750	CAP	1							
4	1	26206-100252	BOLT, M10X 25 PLATED	6							
5	1	26206-100302	BOLT, M10X 30 PLATED	4							
6	1	129100-01730	SPACER, OIL SUMP	1							
7	1	129245-01780	SUMP ASSY, OIL	1							
8	2	129906-01640	COCK, DRAIN	1							
10	1	26106-080162	BOLT, M8X 16 PLATED	4							
11	1	26106-080252	BOLT, M8X 25 PLATED	2							
12	1	26106-080452	BOLT, M8X 45 PLATED	16							
13	1	26106-080502	BOLT, M8X 50 PLATED	4							
14	1	129100-01580	PIN, 8X16	2							
15	1	129100-01640	CASE ASSY, OIL SEAL	1							
17	2	129795-01780	SEAL, OIL	1							
18	1	129486-01670	BOLT, M8X30	6							
19	1	26106-080352	BOLT, M8X 35 PLATED	3							

(A)=3TNV88F-ESHYB

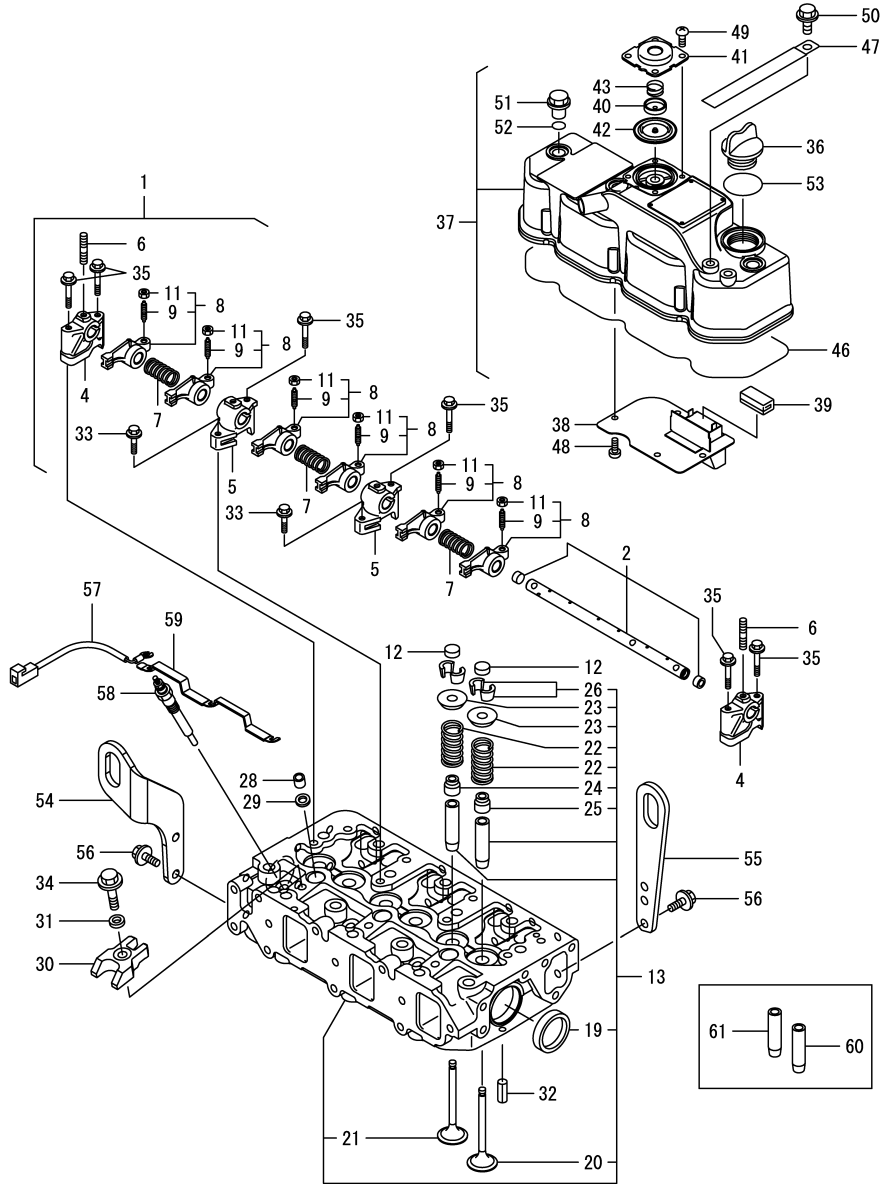
(B)=

(C)=

(D)=

(E)=

(F)=



No.	Lev.	Parts No.	Description	Q'ty						I	R
				(A)	(B)	(C)	(D)	(E)	(F)		
1	1	129004-11241	SHAFT ASSY, ROCKER	1							
2	2	129004-11251	SHAFT, ROCKER ARM	1							
4	2	119802-11260	SUPPORT, ROCKER ARM	2							
5	2	119802-11270	SUPPORT, ROCKER ARM	2							
6	2	119802-11280	STUD	3							
7	2	129150-11280	SPRING	3							
8	2	129004-11650	ARM, ROCKER	6							
9	3	129150-11230	SCREW, VALVE ADJUST	6							
11	3	129150-11750	NUT, M8	6							
12	1	129150-11370	CAP, VALVE	6							
13	1	129017-11700	HEAD ASSY, CYLINDER	1							
19	2	27241-400000	PLUG, 40	2							
20	2	129005-11100	VALVE, INTAKE	3							
21	2	129100-11112	VALVE, EXHAUST	3							
22	2	129795-11120	SPRING, VALVE	6							
23	2	129795-11180	RETAINER, SPRING	6							
24	2	121400-11340	SEAL, VALVE STEM	3							
25	2	124460-11340	SEAL, VALVE STEM	3							
26	2	27310-080001	COTTER, 8	6							
28	1	119802-11870	PROTECTOR, NOZZLE	3							
29	1	119625-11880	SEAT, NOZZLE	3							
30	1	129004-11900	RETAINER, NOZZLE	3							
31	1	120270-54410	WASHER, INJECTOR	3							
32	1	22351-060012	PIN, SPRING 6.0X12	2							
33	1	26106-080252	BOLT, M8X 25 PLATED	2							
34	1	26106-080352	BOLT, M8X 35 PLATED	3							
35	1	26106-080502	BOLT, M8X 50 PLATED	6							
36	1	124160-01751	COVER, FILLER	1							
37	1	129017-11350	BONNET ASSY	1							
38	2	129004-03010	PLATE	1							
39	2	129150-03070	BAFFLE, BREATHER	1							
40	2	119802-03110	PLATE	1							
41	2	119802-03121	COVER, DIAPHRAGM	1							
42	2	119802-03130	DIAPHRAGM	1							
43	2	119802-03141	SPRING, DIAPHRAGM	1							
46	2	129004-11310	GASKET, BONNET	1							
47	2	129928-79700	CLIP	1							
48	2	22857-500100	SCREW, 5X10	4							
49	2	22857-500100	SCREW, 5X10	4							
50	2	26106-080102	BOLT, M8X 10 PLATED	1							
51	1	124160-11360	KNOB	3							
52	1	24311-000120	O-RING, 1AP12.0	3							
53	1	24311-000320	O-RING, 1AP32.0	1							
54	1	129017-07900	LIFTER, ENGINE	1							
55	1	129900-07900	LIFTER	1							
56	1	26106-080162	BOLT, M8X 16 PLATED	4							
57	1	119803-77830	HARNES, WIRE	1							
58	1	129008-77800	PLUG, GLOW	3							
59	1	129008-77820	CONNECTOR, GLOW PLUG	1							
60	1	120130-11860	GUIDE, VALVE	3							1
61	1	129150-11810	GUIDE, VALVE	3							1

Remarks

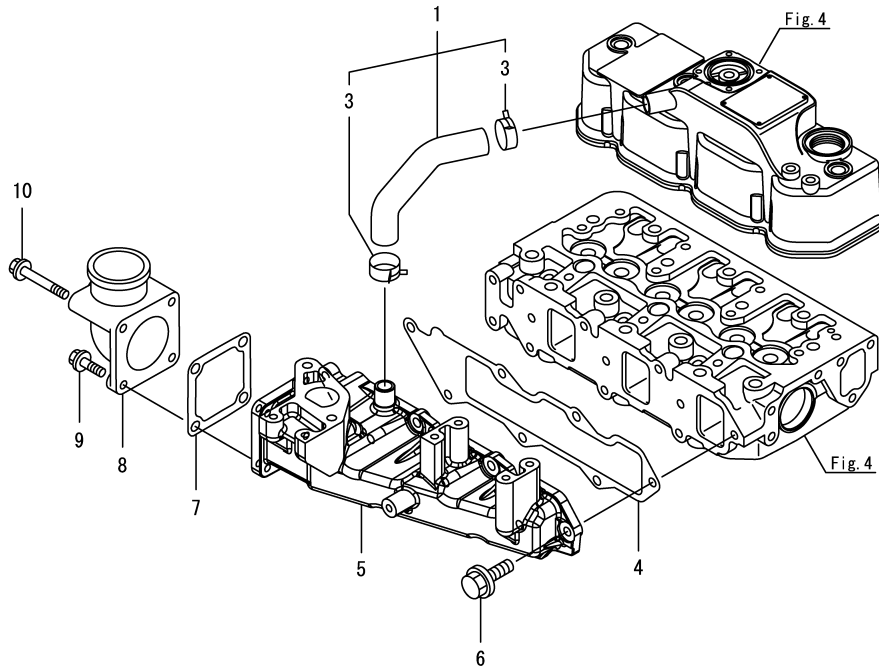
(1) Spare parts.

N:Old $\begin{matrix} \leftarrow \text{Yes} \\ \text{No} \end{matrix}$ New, Q:Old $\begin{matrix} \leftarrow \text{No} \\ \text{Yes} \end{matrix}$ New, R:Old $\begin{matrix} \leftarrow \text{Yes} \\ \text{No} \end{matrix}$ New, S:Old $\begin{matrix} \leftarrow \text{No} \\ \text{Yes} \end{matrix}$ New, W:Add, Z:Discontinued, F:Interchangeable by set, K:Q'ty Change

(A)=3TNV88F-ESHYB
(B)=
(C)=

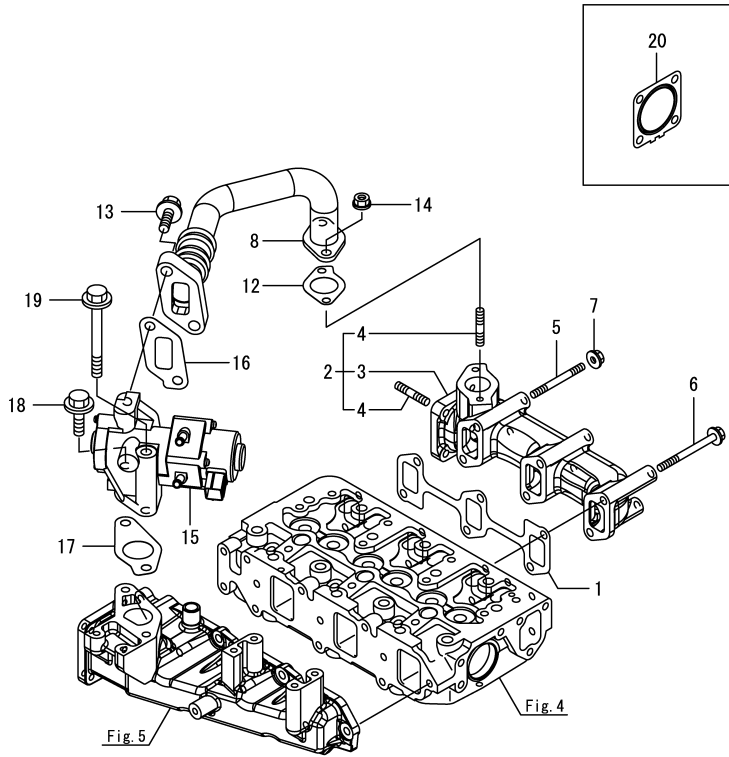
(D)=
(E)=
(F)=

No.	Lev.	Parts No.	Description	Q'ty						I	R
				(A)	(B)	(C)	(D)	(E)	(F)		
1	1	129017-03100	BREATHER ASSY	1							
3	2	129410-03990	CLIP,HOSE 21.5	2							
4	1	129017-12110	GASKET,INT.MANIFOLD	1							
5	1	129017-12120	MANIFOLD, AIR INTAKE	1							
6	1	26106-080202	BOLT, M8X 20 PLATED	7							
7	1	129150-77511	GASKET	1							
8	1	119803-77520	BEND, AIR HEATER	1							
9	1	26106-080202	BOLT, M8X 20 PLATED	2							
10	1	26106-080802	BOLT, M8X 80 PLATED	2							



(A)=3TNV88F-ESHYB
(B)=
(C)=

(D)=
(E)=
(F)=



No.	Lev.	Parts No.	Description	Q'ty						I	R
				(A)	(B)	(C)	(D)	(E)	(F)		
1	1	129150-13110	GASKET	1							
2	1	129017-13150	MANIFOLD ASSY,EXH	1							
3	2	129017-13100	MANIFOLD, EXHAUST	1							
4	2	129418-18320	STUD, M8X20	6							
5	1	123900-13610	STUD, M8X80	2							
6	1	123900-13630	BOLT, M8X80	4							
7	1	26306-080002	NUT, M8	2							
8	1	129017-13800	PIPE ASSY, (EGR	1							
12	1	129927-13810	GASKET	1							
13	1	26106-100302	BOLT, M10X 30 PLATED	2							
14	1	26306-080002	NUT, M8	2							
15	1	129017-13900	VALVE, EGR	1							
16	1	129927-13910	GASKET	1							
17	1	129927-13920	GASKET	1							
18	1	26106-100302	BOLT, M10X 30 PLATED	1							
19	1	26106-100952	BOLT, M10X 95 PLATED	1							
20	1	129004-13200	GASKET, SILENCER	1							1

Remarks

(1)Loose parts.

(A)=3TNV88F-ESHYB

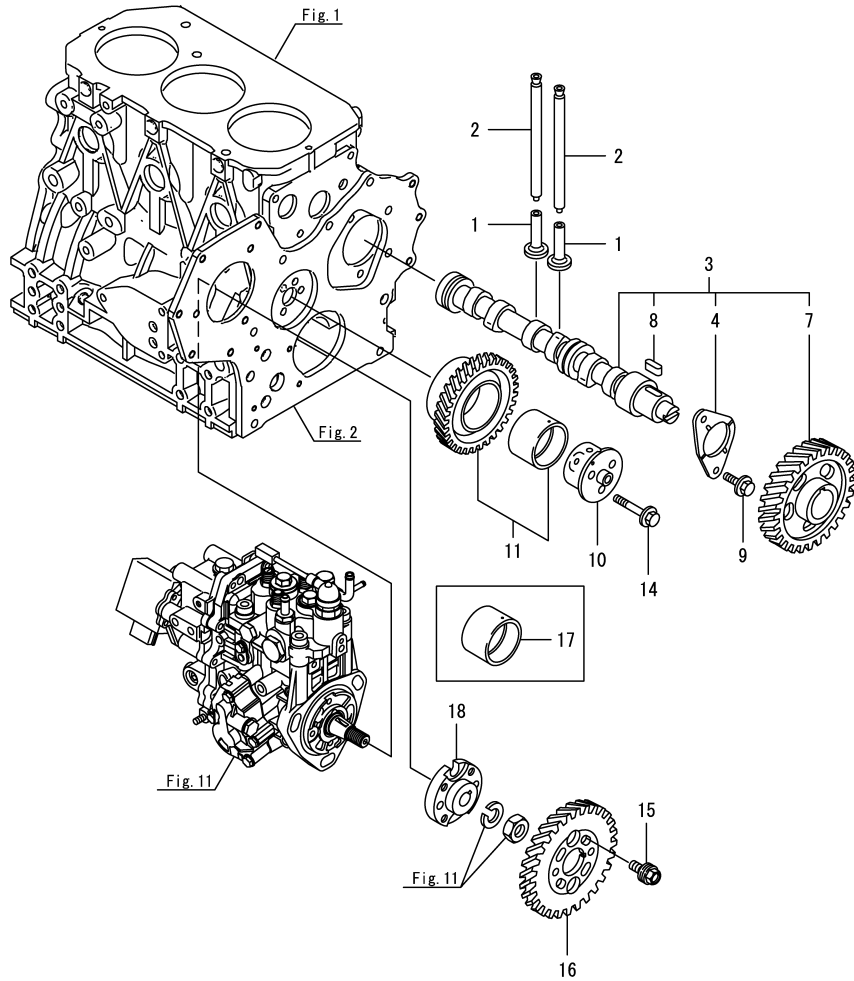
(B)=

(C)=

(D)=

(E)=

(F)=



No.	Lev.	Parts No.	Description	Q'ty						I	R
				(A)	(B)	(C)	(D)	(E)	(F)		
1	1	129150-14200	TAPPET	6							
2	1	129150-14400	ROD, PUSH L=178	6							
3	1	129129-14580	CAMSHAFT ASSY	1							
4	2	129150-02450	BEARING, THRUST	1							
7	2	129150-14101	GEAR, CAMSHAFT	1							
8	2	22512-070140	KEY, 7X 14	1							
9	1	26106-080142	BOLT, M8X 14 PLATED	2							
10	1	119803-25050	SHAFT, IDLE	1							
11	1	119802-25101	GEAR ASSY, IDLE	1							
14	1	26106-080402	BOLT, M8X 40 PLATED	3							
15	1	129150-25301	BOLT	4							
16	1	119802-25901	GEAR, PUMP	1							
17	1	119802-25071	BUSH, IDLE GEAR	1							1
18	1	158552-51151	FLANGE	1							

Remarks

(1) Spare parts.

(A)=3TNV88F-ESHYB

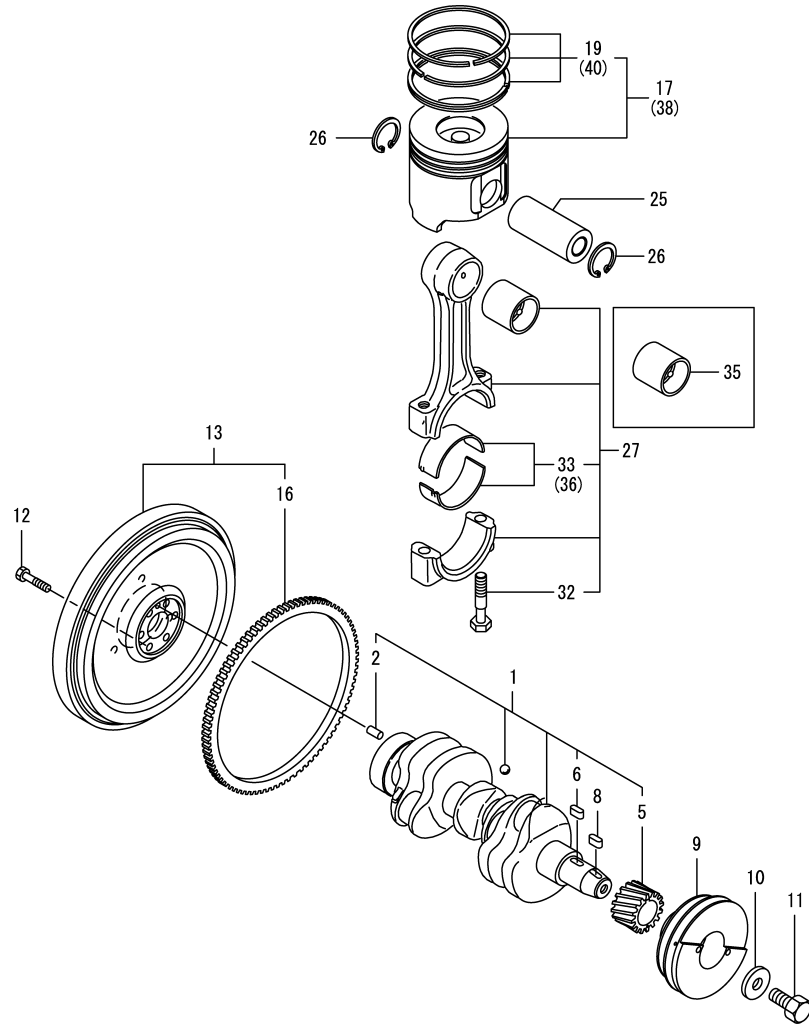
(B)=

(C)=

(D)=

(E)=

(F)=



No.	Lev.	Parts No.	Description	Q'ty						I	R
				(A)	(B)	(C)	(D)	(E)	(F)		
1	1	129008-21000	CRANKSHAFT ASSY	1							
2	2	129100-01580	PIN, 8X16	1							
5	2	119803-21200	GEAR, CRANKSHAFT	1							
6	2	22512-070140	KEY, 7X 14	1							
8	1	22512-070140	KEY, 7X 14	1							
9	1	129263-21660	V-PULLEY, 120	1							
10	1	129795-21661	WASHER	1							
11	1	121850-21680	BOLT	1							
12	1	121111-21501	BOLT, FLYWHEEL	6							
13	1	129128-21590	FLYWHEEL ASSY	1							
16	2	119865-21600	GEAR, RING	1							
17	1	129005-22080	PISTON ASSY	3							
19	2	129005-22500	RING SET, PISTON	3							
25	1	129202-22300	PIN, PISTON D26 L70	3							
26	1	22252-000260	RING, 26	6							
27	1	729402-23100	ROD ASSY, CONNECTING	3							
32	3	121550-23200	BOLT, CONNECTING ROD	6							
33	2	129150-23601	BEARING, CRANK PIN	3							
35	1	129100-23910	BEARING, PISTON PIN	3							1
36	1	129150-23611	BEARING, 0.25 US	3							2
38	1	129005-22900	PISTON ASSY, 0.25 OS	3							3
40	2	129005-22950	RING SET, 0.25 OS	3							3

Remarks

- (1) Spare parts.
- (2) Under-sized (U.S.=0.25) parts.
- (3) Over-sized (O.S.=0.25) parts.

(A)=3TNV88F-ESHYB

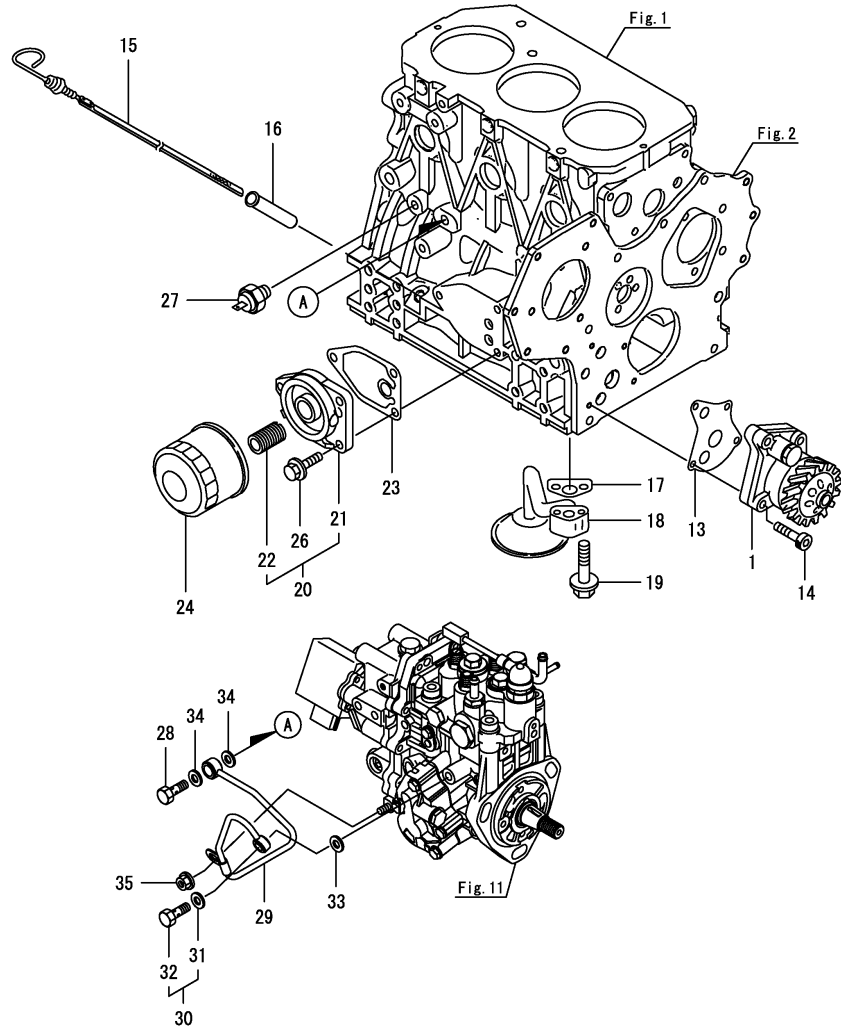
(B)=

(C)=

(D)=

(E)=

(F)=



No.	Lev.	Parts No.	Description	Q'ty						I	R
				(A)	(B)	(C)	(D)	(E)	(F)		
1	1	129001-32002	PUMP ASSY, OIL	1							
13	1	129150-32020	GASKET, PUMP	1							
14	1	26450-060252	BOLT, M6X 25	4							
15	1	129004-34802	DIPSTICK	1							
16	1	121520-34810	GUIDE, DIPSTICK	1							
17	1	129150-35042	GASKET	1							
18	1	129100-35301	PIPE ASSY, OIL INLET	1							
19	1	26106-080352	BOLT, M8X 35 PLATED	2							
20	1	119802-35100	BRACKET ASSY, FILTER	1							
21	2	119802-35110	BRACKET, FILTER	1							
22	2	129100-35140	BOLT, STUD	1							
23	1	129150-35111	GASKET	1							
24	1	129150-35153	FILTER ASSY, D80X80L	1							1
26	1	26106-080202	BOLT, M8X 20 PLATED	3							
27	1	119761-39450	SWITCH, HYDRAULIC	1							
28	1	124160-39140	BOLT, PIPE JOINT M10	1							
29	1	119802-39450	PIPE ASSY, OIL	1							
30	1	129005-59830	BOLT ASSY, JOINT M8	1							
31	2	22190-080002	WASHER, SEAL 8	1							
32	2	23857-030000	BOLT, JOINT 3	1							
33	1	22190-080002	WASHER, SEAL 8	1							
34	1	22190-100002	WASHER, SEAL 10	2							
35	1	26366-060002	NUT, M6	1							

Remarks

(1)Spare parts.

(A)=3TNV88F-ESHYB

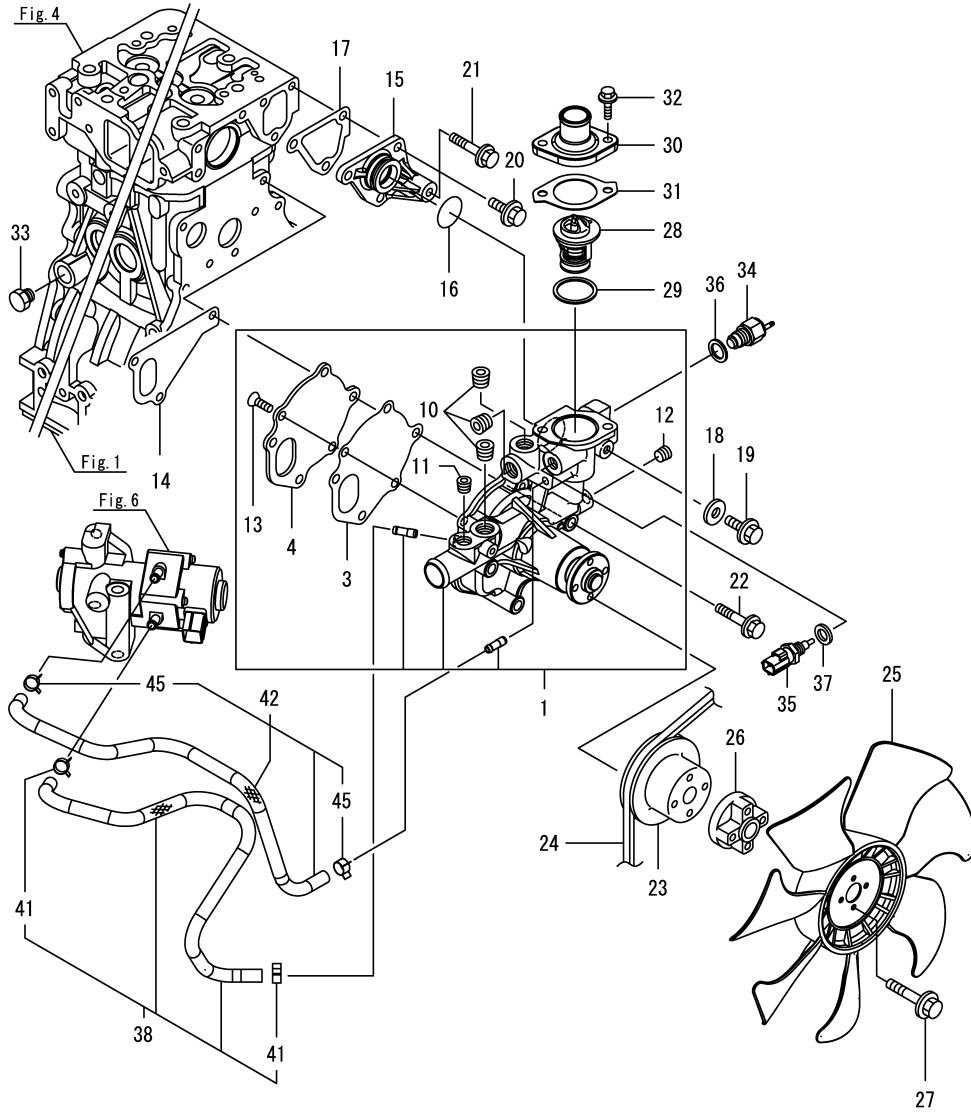
(B)=

(C)=

(D)=

(E)=

(F)=



No.	Lev.	Parts No.	Description	Q'ty						I	R
				(A)	(B)	(C)	(D)	(E)	(F)		
1	1	129017-42000	PUMP ASSY, CW	1							
3	2	129100-42051	GASKET, WATER PUMP	1							
4	2	129100-42121	PLATE	1							
10	2	129916-49740	PLUG, R03	3							
11	2	23875-020000	PLUG, R02	1							
12	2	23876-010000	PLUG, R01	1							
13	2	26577-060142	SCREW M 6X 14	3							
14	1	129486-42021	GASKET, WATER PUMP	1							
15	1	129004-42040	JOINT	1							
16	1	129486-42140	O-RING, G30	1							
17	1	124395-49840	GASKET	1							
18	1	23414-080000	GASKET, 8X1.0	1							
19	1	26106-080122	BOLT, M8X 12 PLATED	1							
20	1	26106-080162	BOLT, M8X 16 PLATED	3							
21	1	26106-080452	BOLT, M8X 45 PLATED	1							
22	1	26106-080602	BOLT, M8X 60 PLATED	3							
23	1	129550-42350	V-PULLEY, D=120	1							
24	1	25152-003900	V-BELT, A39	1							
25	1	121267-44741	FAN, COOLING D=360	1							
26	1	171353-44760	SPACER, FAN	1							
27	1	26106-060402	BOLT, M6X 40 PLATED	4							
28	1	129155-49801	THERMOSTAT, 71	1							
29	1	129150-49811	GASKET, THERMOSTAT	1							
30	1	129350-49530-1	COVER, THERMOSTAT	1							
31	1	129795-49551	GASKET	1							
32	1	26106-080222	BOLT, M8X 22 PLATED	2							
33	1	171056-49120	PLUG, DRAIN	1							
34	1	121250-44901	SWITCH, 110	1							
35	1	129927-44900	SENSOR.THERMO CW	1							
36	1	124465-44950	GASKET, 16	1							
37	1	22190-120002	WASHER, SEAL 12	1							
38	1	129017-49630	PIPE ASSY, A CW EGR	1							
41	2	23080-012000	CLAMP, 12	2							
42	1	129017-49640	PIPE ASSY, B CW EGR	1							
45	2	23080-012000	CLAMP, 12	2							

(A)=3TNV88F-ESHYB

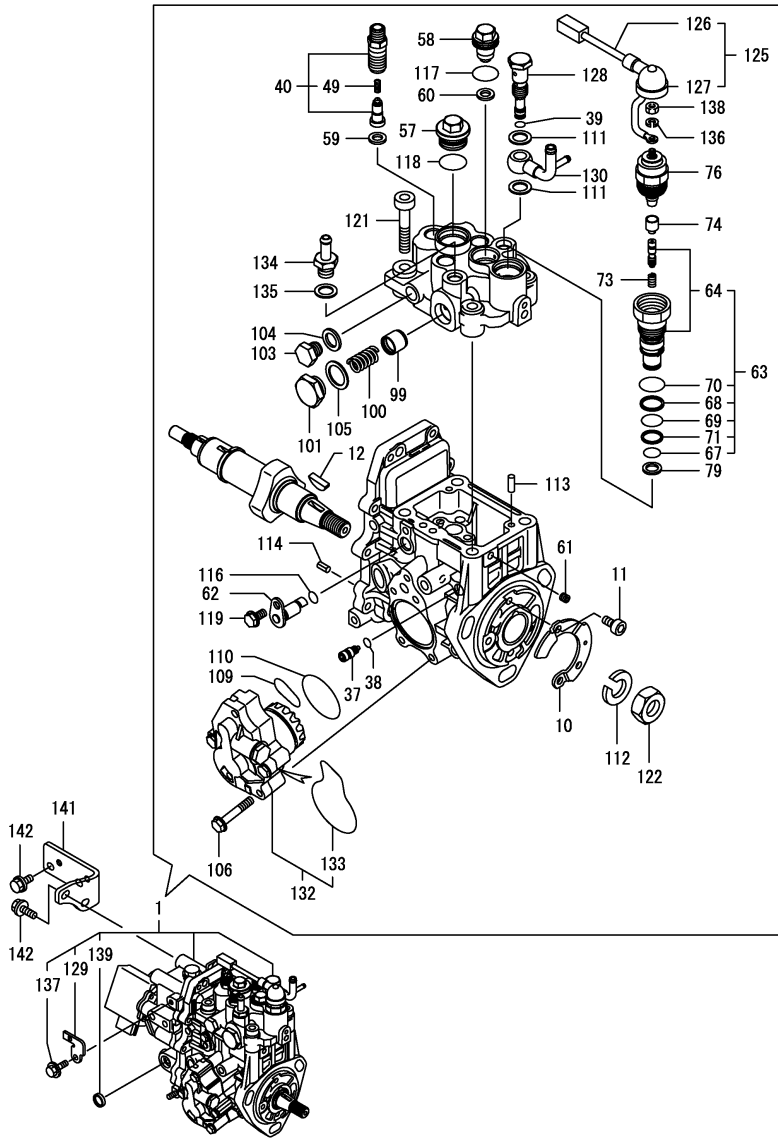
(B)=

(C)=

(D)=

(E)=

(F)=



No.	Lev.	Parts No.	Description	Q'ty						I	R
				(A)	(B)	(C)	(D)	(E)	(F)		
1	1	729017-51310	FIE ASSY	1							
10	2	129008-51900	COVER, PUMP	1							
11	2	129008-51920	BOLT, SOCKET M6X10	2							
12	2	119802-51090	FEATHER KEY, 4X16	1							
37	2	158600-51270	STOPPER, TAPPET	1							
38	2	158563-51281	O-RING, 4D S6	1							
39	2	158563-51281	O-RING, 4D S6	1							
40	2	129008-51390	VALVE ASSY, DELIVERY	3							
49	3	158563-51330	SPRING, DELIVERY	3							
57	2	158601-51550	PLUG, M22	1							
58	2	119802-51560	PLUG, M14	1							
59	2	158552-51571	GASKET, PLUG	3							
60	2	158552-51571	GASKET, PLUG	1							
61	2	158557-51570	PLUG, RACK	1							
62	2	158552-51580	LIFTER, LINK	1							
63	2	129657-51590	TIMER ASSY	1							
64	3	129657-51600	TIMER ASSY	1							
67	3	158553-51670	O-RING	1							
68	3	119802-51680	RING, BACKUP	1							
69	3	119802-51690	O-RING	1							
70	3	24356-190200	O-RING, 4D19020	1							
71	3	24372-000150	RING, BACK UP T2P15	1							
73	2	119852-51630	SPRING, TIMER	1							
74	2	119852-51640	CAP, TIMER	1							
76	2	119852-51650	VALVE ASSY, SOLENOID	1							
79	2	158553-51680	GASKET, TIMER	1							
99	2	158601-51770	PISTON, ACCUMLATOR	1							
100	2	158552-51781	SPRING, ACCUMULATOR	1							
101	2	158601-51790	PLUG	1							
103	2	158553-51930	PLUG, M12	1							
104	2	22190-120002	WASHER, SEAL 12	1							
105	2	22190-180002	WASHER, SEAL 18	1							
106	2	158553-51770	BOLT	4							
109	2	158552-52311	O-RING	1							
110	2	158552-52400	O-RING, 4E S42	1							
111	2	22190-120002	WASHER, SEAL 12	2							
112	2	22217-140000	WASHER, SPRING 14	1							
113	2	22312-050140	PIN, PARALLEL 5X14	2							
114	2	22351-050010	PIN, SPRING 5.0X10	2							
116	2	24311-000070	O-RING, 1AP7.0	1							
117	2	24356-190180	O-RING, 4D19018	1							
118	2	24356-190200	O-RING, 4D19020	1							
119	2	26106-060102	BOLT, M6X 10 PLATED	1							
121	2	26450-080452	BOLT, M8X 45	4							
122	2	26776-140002	NUT, LOCK M14	1							
125	2	129927-51650	HARNES ASSY, WIRE	1							
126	3	129927-51660	HARNES	1							
127	3	129263-77941	CAP, RUBBER	1							
128	2	158601-51650	JOINT, OVER FLOW	1							
129	2	129927-51670	BRACKET	1							
130	2	158552-51670	JOINT, OVER FLOW	1							

Remarks

(1)Governor(Fig.12) is incorporated in this Fuel Injection Pump(No.1).

(1)Eco pump

Make sure to update the engines ECU information when replacing the Eco pump.

Failing to do so will result in engine malfunction.

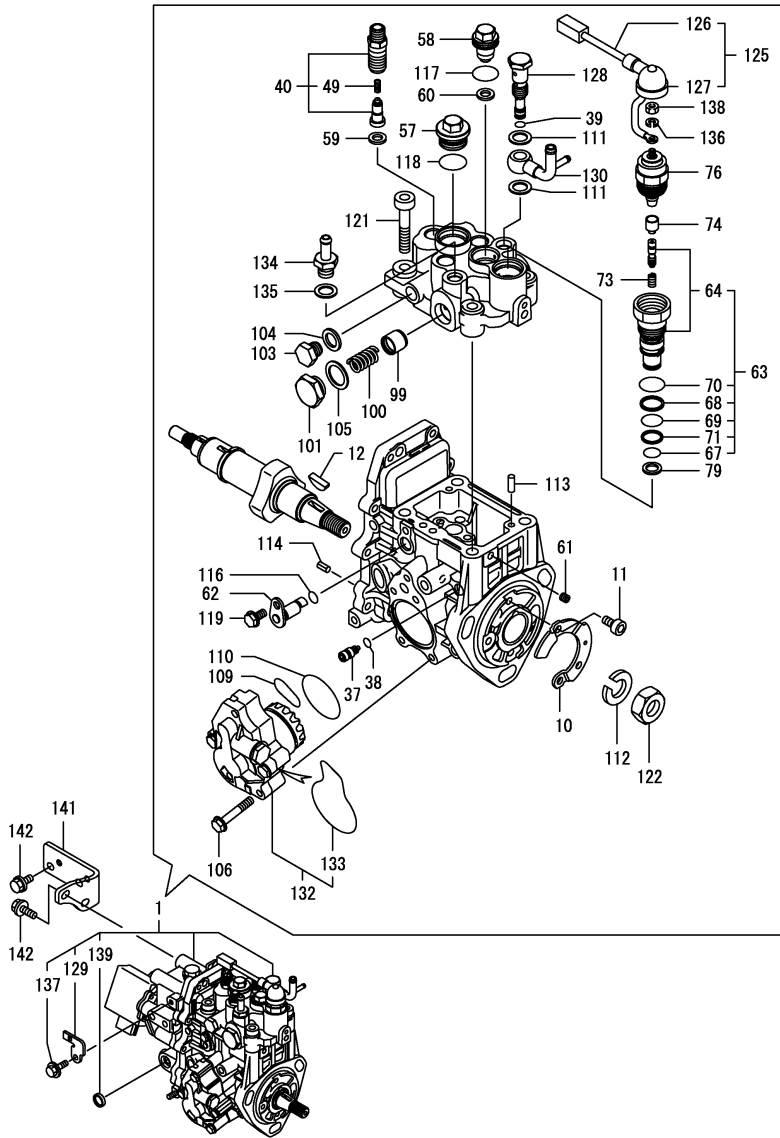
N:Old $\xrightarrow{\text{Yes}}$ New, Q:Old $\xrightarrow{\text{No}}$ New, R:Old $\xrightarrow{\text{Yes}}$ New, S:Old $\xrightarrow{\text{No}}$ New, W:Add, Z:Discontinued, F:Interchangeable by set, K:Q'ty Change

++ CONTINUE ++

Copyright (C) 2014 YANMAR GLOBAL CS CO., LTD. All Rights Reserved.

(A)=3TNV88F-ESHYB
(B)=
(C)=

(D)=
(E)=
(F)=



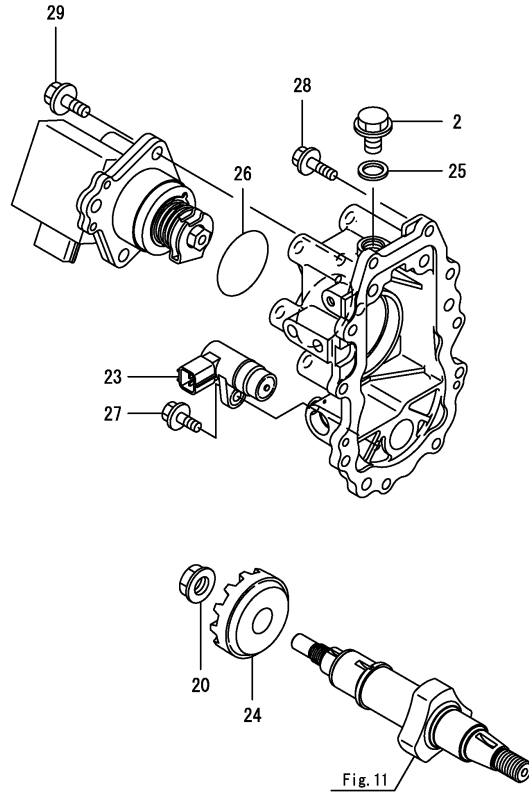
No.	Lev.	Parts No.	Description	Q'ty						I	R
				(A)	(B)	(C)	(D)	(E)	(F)		
132	2	158552-52100	PUMP ASSY, FUEL FEED	1							
133	3	158552-52500	O-RING	1							
134	2	119934-59910	JOINT, PIPE	1							
135	2	22190-120002	WASHER, SEAL 12	1							
136	2	22217-050000	WASHER, SPRING 5	1							
137	2	26106-060122	BOLT, M6X 12 PLATED	1							
138	2	26716-050002	NUT, M5	1							
139	2	27241-160000	PLUG, 16	1							
141	1	129263-51251	RETAINER, PUMP	1							
142	1	26106-080162	BOLT, M8X 16 PLATED	4							

Remarks

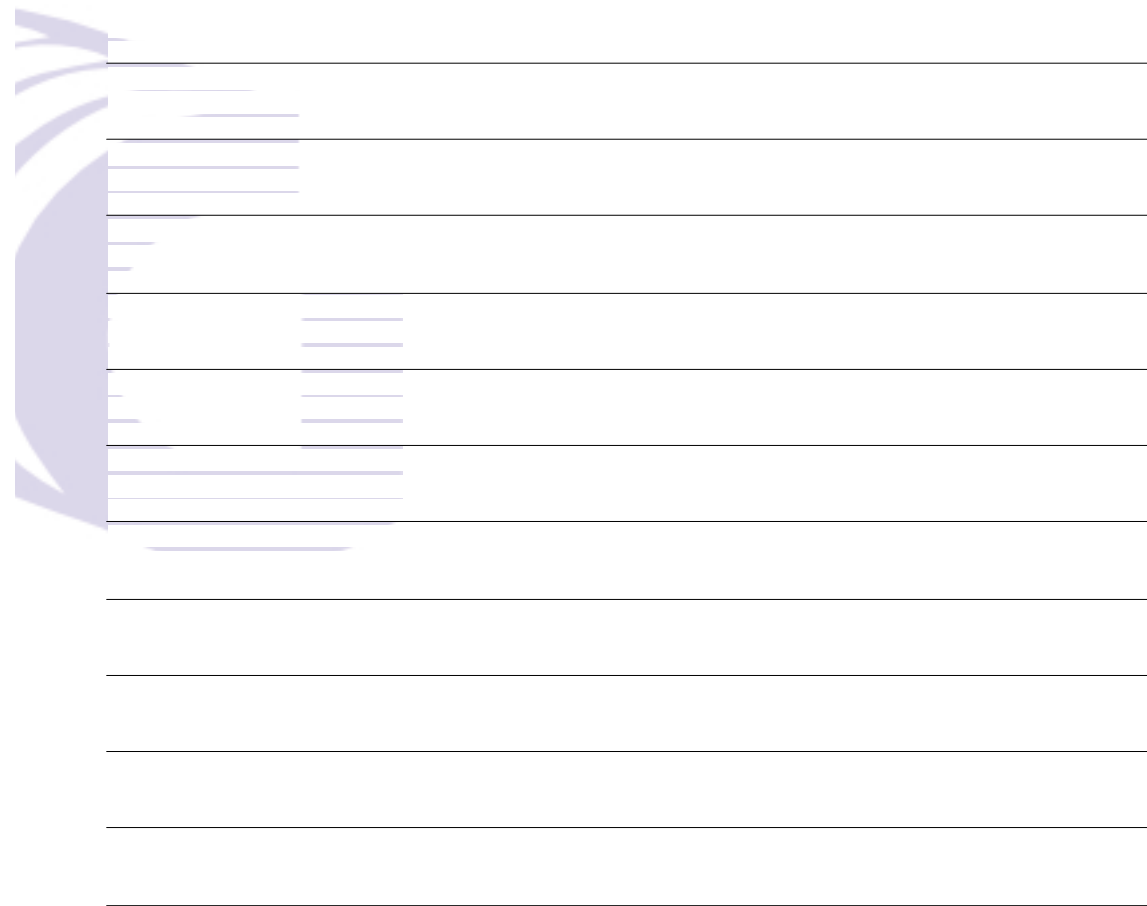
(1)Governor(Fig.12) is incorporated in this Fuel Injection Pump(No.1).
(1)Eco pump
Make sure to update the engines ECU information when replacing the Eco pump.
Failing to do so will result in engine malfunction.

(A)=3TNV88F-ESHYB
(B)=
(C)=

(D)=
(E)=
(F)=



No.	Lev.	Parts No.	Description	Q'ty						I	R
				(A)	(B)	(C)	(D)	(E)	(F)		
2	2	158553-51930	PLUG, M12	1							
20	2	129008-61301	NUT	1							
23	2	158557-61720	SENSOR	1							
24	2	158553-61780	GEAR, SENSOR	1							
25	2	22190-120002	WASHER, SEAL 12	1							
26	2	24341-000480	O-RING, 1AS48.0	1							
27	2	26106-060162	BOLT, M6X 16 PLATED	1							
28	2	26106-060202	BOLT, M6X 20 PLATED	10							
29	2	26106-080252	BOLT, M8X 25 PLATED	3							

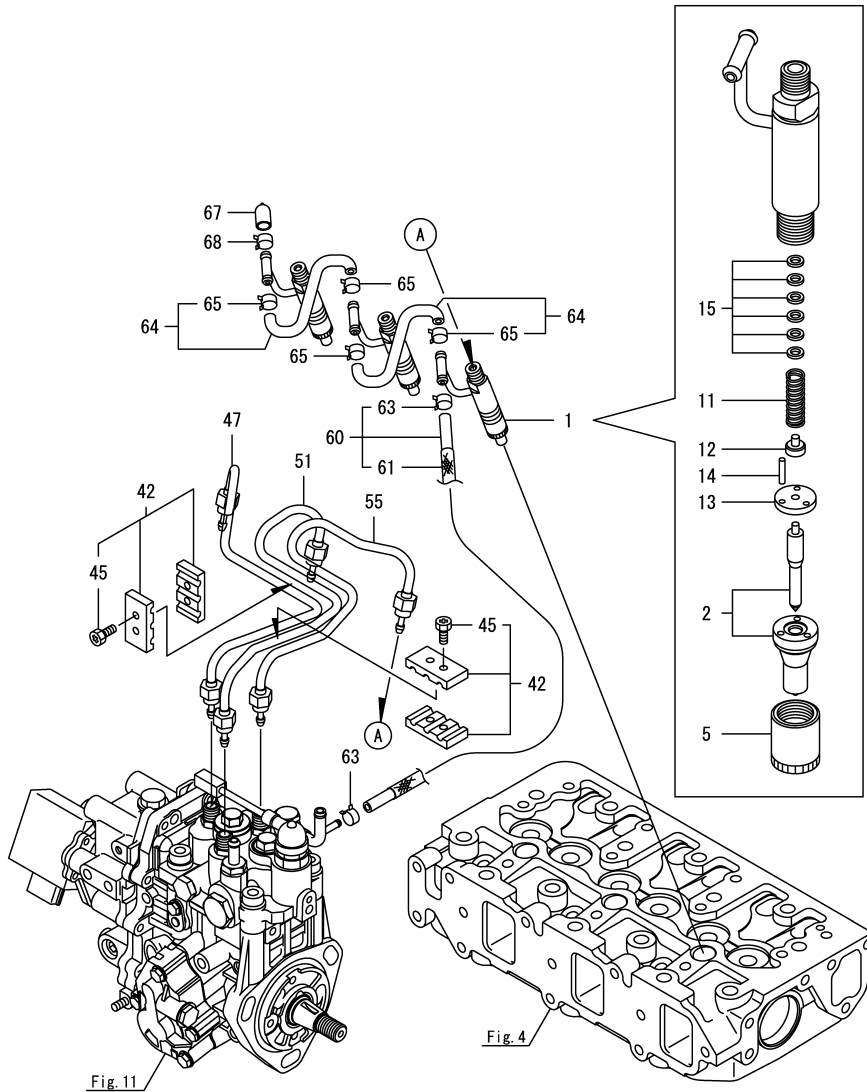


Remarks

* This figure(Governor) is incorporated in the Fuel Injection Pump(Fig.11).

(A)=3TNV88F-ESHYB
(B)=
(C)=

(D)=
(E)=
(F)=

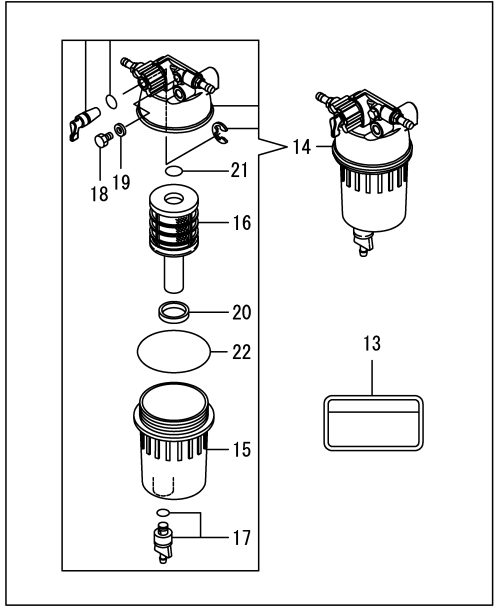
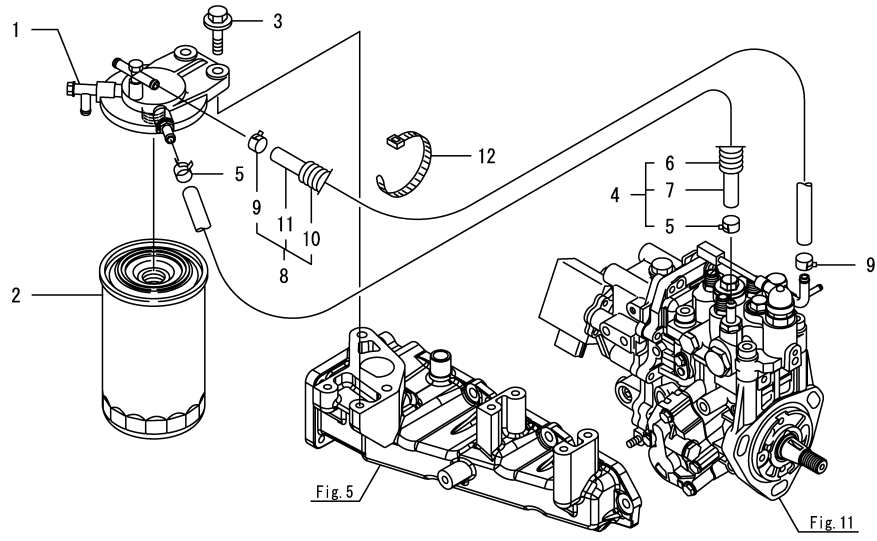


No.	Lev.	Parts No.	Description	Q'ty						I	R
				(A)	(B)	(C)	(D)	(E)	(F)		
1	1	729017-53100	FUEL INJECTOR ASSY	3							
2	2	129017-53000	NOZZLE ASSY	3							
5	2	114250-53080	NUT, NOZZLE	3							
11	2	114250-53120	SPRING, NOZZLE	3							
12	2	114250-53130	SEAT, SPRING	3							
13	2	114250-53140	SPACER	3							
14	2	114250-53210	PIN	6							
15	2	119803-53400	SHIM SET	3							1
42	1	129150-59120	RETAINER, PIPE	2							
45	2	129150-59131	BOLT, M4X14	4							
47	1	129017-59810	PIPE	1							
51	1	129017-59820	PIPE	1							
55	1	129017-59830	PIPE	1							
60	1	129268-59551	PIPE ASSY, RETURN	1							
61	2	129237-59120	PROTECTOR, HOSE	1							
63	2	124060-77680	CLAMP, HOSE 10	2							
64	1	129486-59551	HOSE ASSY, RETURN	2							
65	2	124722-59050	CLAMP, HOSE 9	4							
67	1	119593-59581	CAP	1							
68	1	124060-77680	CLAMP, HOSE 10	1							

Remarks
(1) Spare parts.

(A)=3TNV88F-ESHYB
(B)=
(C)=

(D)=
(E)=
(F)=



No.	Lev.	Parts No.	Description	Q'ty						I	R
				(A)	(B)	(C)	(D)	(E)	(F)		
1	1	129004-55612	BRACKET, FILTER	1							
2	1	129907-55801	FILTER, FUEL	1							
3	1	26106-080302	BOLT, M8X 30 PLATED	2							
4	1	129630-59010	PIPE ASSY, FUEL	1							
5	2	124766-59050	CLIP, HOSE 11.5	2							
6	2	129961-59110	TUBE, CORRUGATED	1							
7	2	105025-59560	PIPE, FUEL	1							
8	1	129950-59311	PIPE, FUEL	1							
9	2	124766-59050	CLIP, HOSE 11.5	2							
10	2	129961-59110	TUBE, CORRUGATED	1							
11	2	105025-59580	PIPE, FUEL	1							
12	1	121750-59890	BAND, 140	1							
13	1	114110-07761	LABEL, FUEL OIL CAUT	1							1
14	1	129242-55711	SEPARATOR ASSY	1							1
15	2	129242-55720	CUP	1							1
16	2	129242-55730	ELEMENT	1							1
17	2	129242-55740	PLUG, DRAIN	1							1
18	2	129242-55750	VALVE, AIR VENT	1							1
19	2	129242-55760	GASKET	1							1
20	2	129242-55770	FLOAT	1							1
21	2	24311-000160	O-RING, 1AP16.0	1							1
22	2	24321-000750	O-RING, 1AG75.0	1							1

Remarks
(1)Loose parts.

(A)=3TNV88F-ESHYB

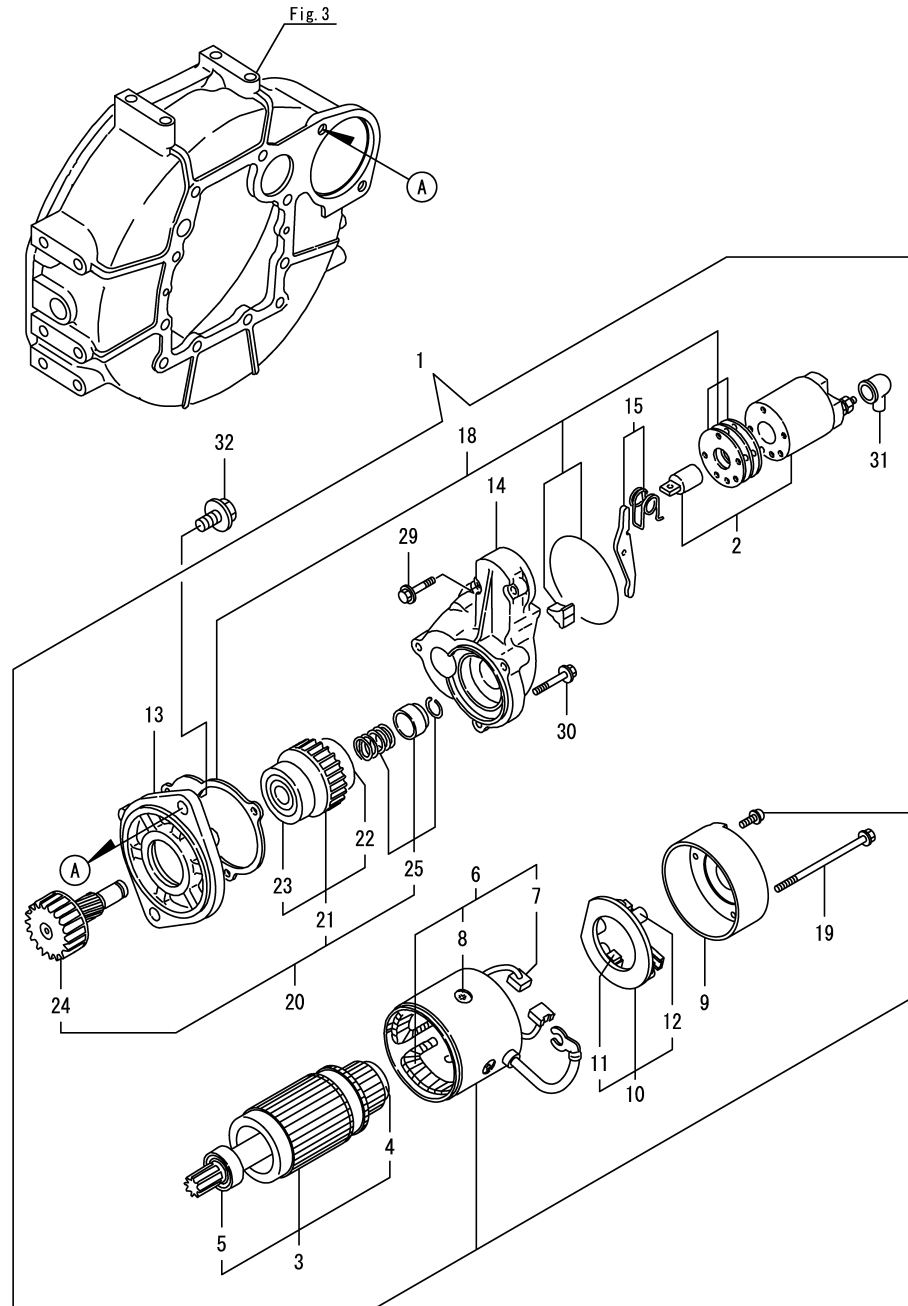
(B)=

(C)=

(D)=

(E)=

(F)=



No.	Lev.	Parts No.	Description	Q'ty						I	R
				(A)	(B)	(C)	(D)	(E)	(F)		
1	1	129136-77011	STARTER	1							
2	2	129136-77310	SWITCH ASSY	1							
3	2	129900-77400	ARMATURE ASSY	1							
4	3	X2130350900	BEARING, BALL	1							
5	3	X2114255110	BEARING, BALL	1							
6	2	129900-77440	COIL ASSY, FIELD	1							
7	3	129900-77450	BRUSH	2							
8	3	171008-77450	SCREW	4							
9	2	129900-77460	COVER	1							
10	2	129900-77480	HOLDER ASSY, BRUSH	1							
11	2	129900-77500	BRUSH	2							
12	3	129400-77490	SPRING	4							
13	2	171008-77510	CASE, GEAR	1							
14	2	129136-77520	HOUSING	1							
15	2	171008-77540	LEVER SET	1							
18	2	129400-77571	COVER ASSY, DUST	1							
19	2	129900-77640	BOLT, THROUGH	2							
20	2	171008-77650	PINION ASSY	1							
21	3	X2114555500	CLUTCH ASSY	1							
22	4	X2114955020	BEARING, BALL	1							
23	4	X2240410100	BEARING, BALL	1							
24	3	171008-77660	SHAFT	1							
25	3	171008-77670	STOPPER SET	1							
29	2	26106-060322	BOLT, M6X 32 PLATED	2							
30	2	26106-060402	BOLT, M6X 40 PLATED	3							
31	2	171008-77750	COVER	1							
32	1	26106-120252	BOLT, M12X 25 PLATED	2							

(A)=3TNV88F-ESHYB

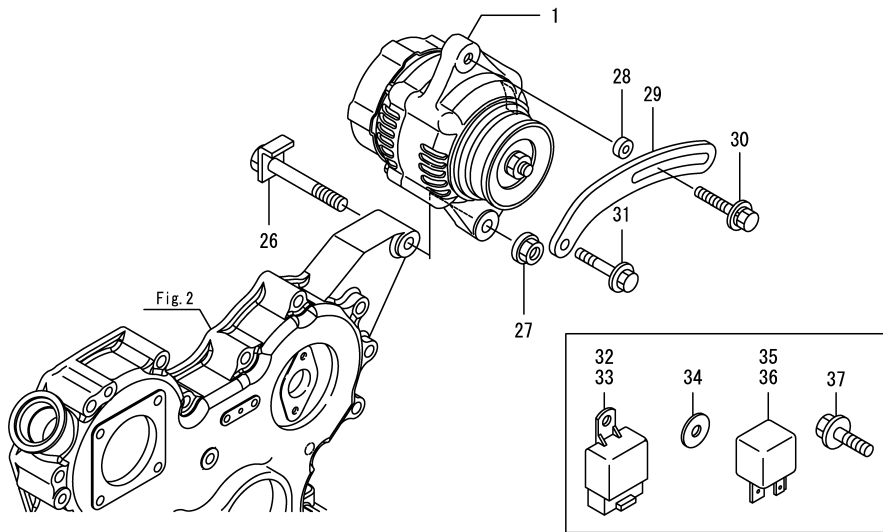
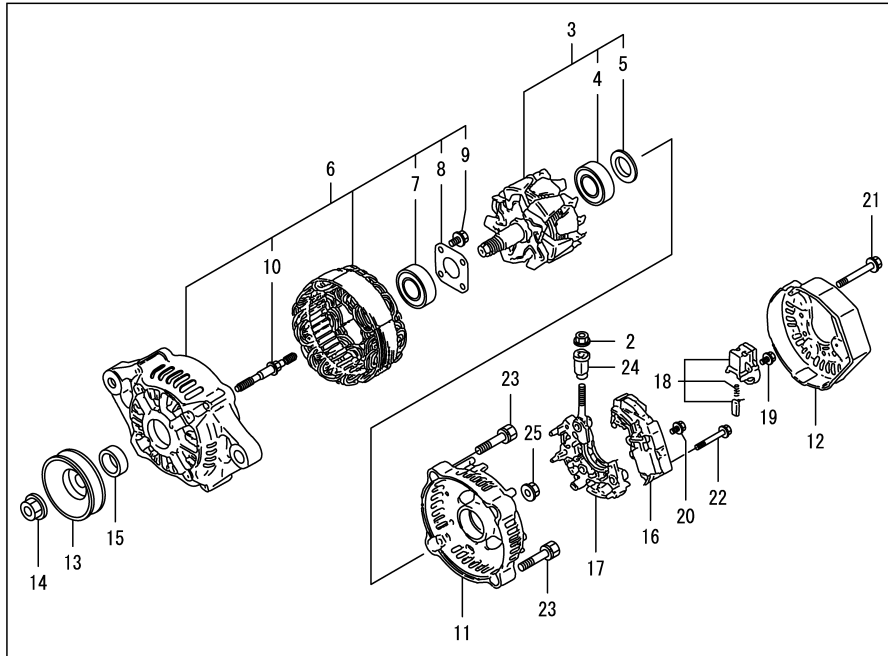
(B)=

(C)=

(D)=

(E)=

(F)=



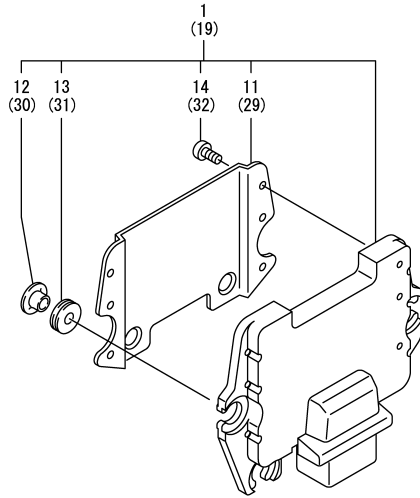
No.	Lev.	Parts No.	Description	Q'ty						I	R
				(A)	(B)	(C)	(D)	(E)	(F)		
1	1	119626-77210	ALTERNATOR, 12V-55A	1							
2	2	X9490561001	NUT	1							
3	2	129052-77380	ROTOR ASSY	1							
4	3	123501-79240	BEARING, BALL	1							
5	3	119620-79250	COVER	1							
6	2	129052-77422	FRAME ASSY	1							
7	3	119620-79200	BEARING, BALL	1							
8	3	119620-79210	PLATE, RETAINER	1							
9	3	119620-79220	SCREW	4							
10	3	119620-79230	STUD	2							
11	2	128401-77440	FRAME	1							
12	2	119626-77450	COVER	1							
13	2	119620-77461	PULLEY	1							
14	2	119620-77471	NUT	1							
15	2	119620-77490	COLLAR	1							
16	2	129423-77710	REGULATOR ASSY	1							
17	2	129052-79260	HOLDER	1							
18	2	129052-79270	HOLDER, BRUSH	1							
19	2	119620-79290	SCREW	6							
20	2	119620-79300	SCREW	1							
21	2	119620-79310	BOLT	3							
22	2	119620-79320	SCREW	2							
23	2	119620-79330	BOLT	2							
24	2	119620-79340	BUSH, INSULATION	1							
25	2	119620-79350	NUT	2							
26	1	119740-77251	BOLT, M10X80	1							
27	1	26306-100002	NUT, M10	1							
28	1	119940-77270	SPACER, GENERATOR	1							
29	1	119802-77330	ADJUSTER	1							
30	1	129972-77341	BOLT, ADJUSTER L=50	1							
31	1	26106-080452	BOLT, M8X 45 PLATED	1							
32	1	172B02-17150	RELAY,CA C TYPE	1							1
33	1	172B02-17150	RELAY,CA C TYPE	1							1
34	1	129927-77690	WASHER	3							1
35	1	129927-77920	RELAY	1							1
36	1	129927-77930	RELAY	1							1
37	1	26106-080252	BOLT, M8X 25 PLATED	3							1

Remarks

(1)Loose parts.

(A)=3TNV88F-ESHYB
(B)=
(C)=

(D)=
(E)=
(F)=



No.	Lev.	Parts No.	Description	Q'ty						I	R
				(A)	(B)	(C)	(D)	(E)	(F)		
1	1	129017-75110	ECU ASSY,3-88F-ESHYB	1							1
11	2	129927-77600	SHIELD	1							
12	2	129927-77680	COLLAR	3							
13	2	119578-91351	ABSORBER	3							
14	2	22877-500080	SCREW, 5X 8	6							
19	1	129927-75900	CONTROLLER ASSY, ECU	1							2
29	2	129927-77600	SHIELD	1							
30	2	129927-77680	COLLAR	3							
31	2	119578-91351	ABSORBER	3							
32	2	22877-500080	SCREW, 5X 8	6							

Remarks

(1)Eco ECU

This part cannot be ordered.

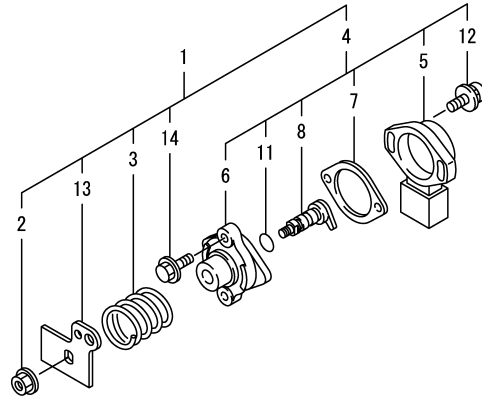
Replace the part using a Service ECU with the proper engine information installed.

(2)Service ECU

If the proper information is not installed, the engine will not operate.

To install proper information, go to an authorized Distributor.

(A)=3TNV88F-ESHYB
 (B)=
 (C)=

 (D)=
 (E)=
 (F)=


No.	Lev.	Parts No.	Description	Q'ty						I	R
				(A)	(B)	(C)	(D)	(E)	(F)		
1	1	129938-77800	SENSOR ASSY	1							1
2	2	194990-22130	NUT, M6	1							1
3	2	119060-61990	SPRING, RETURN	1							1
4	2	129054-77800	SENSOR ASSY	1							1
5	3	185100-50070	BODY	1							1
6	3	129054-77811	SUPPORT	1							1
7	3	129054-77820	GASKET	1							1
8	3	129054-77830	SHAFT ASY	1							1
11	3	24311-000070	O-RING, 1AP7.0	1							1
12	3	26023-040202	SCREW, M4X20	2							1
13	2	129938-77810	LEVER	1							1
14	2	26106-060122	BOLT, M6X 12 PLATED	2							1

Remarks

(1)Loose parts.

(A)=3TNV88F-ESHYB

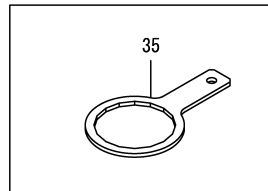
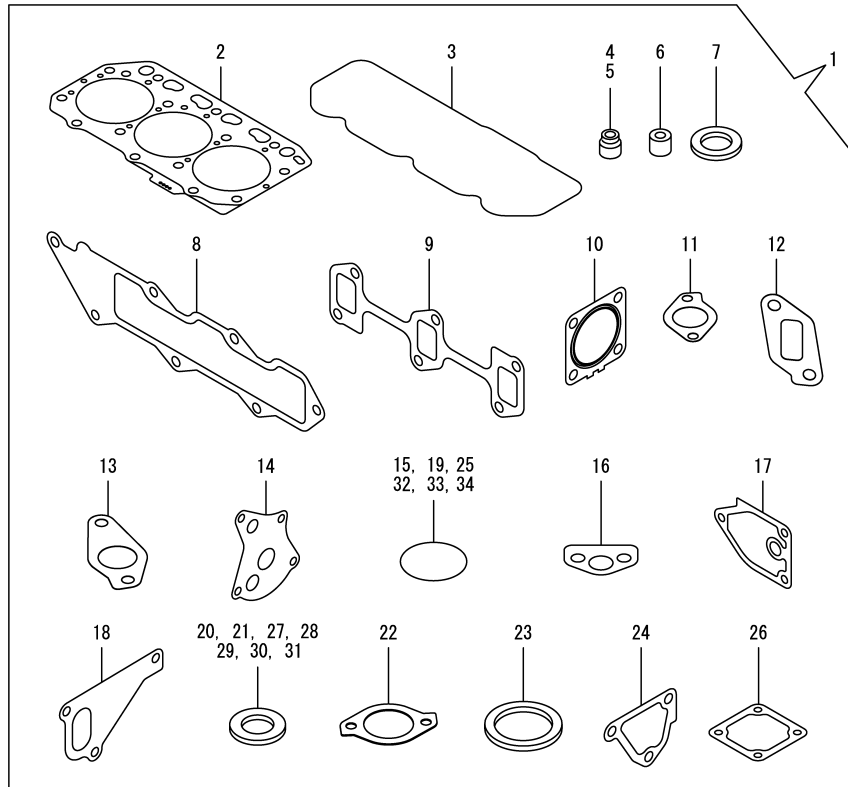
(B)=

(C)=

(D)=

(E)=

(F)=



No.	Lev.	Parts No.	Description	Q'ty						I	R
				(A)	(B)	(C)	(D)	(E)	(F)		
1	1	129017-92611	PACKING	1							1
2	2	129001-01340	GASKET, HEAD	1							
3	2	129004-11310	GASKET, BONNET	1							
4	2	121400-11340	SEAL, VALVE STEM	3							
5	2	124460-11340	SEAL, VALVE STEM	3							
6	2	119802-11870	PROTECTOR, NOZZLE	3							
7	2	119625-11880	SEAT, NOZZLE	3							
8	2	129017-12110	GASKET,INT.MANIFOLD	1							
9	2	129150-13110	GASKET	1							
10	2	129004-13200	GASKET, SILENCER	1							
11	2	129927-13810	GASKET	1							
12	2	129927-13910	GASKET	1							
13	2	129927-13920	GASKET	1							
14	2	129150-32020	GASKET, PUMP	1							
15	2	119609-32040	O-RING, P16	2							
16	2	129150-35042	GASKET	1							
17	2	129150-35111	GASKET	1							
18	2	129486-42021	GASKET, WATER PUMP	1							
19	2	129486-42140	O-RING, G30	1							
20	2	124465-44950	GASKET, 16	1							
21	2	129150-49360	GASKET	1							
22	2	129795-49551	GASKET	1							
23	2	129150-49811	GASKET, THERMOSTAT	1							
24	2	124395-49840	GASKET	1							
25	2	121850-51960	O-RING	1							
26	2	129150-77511	GASKET	1							
27	2	22190-080002	WASHER, SEAL 8	7							
28	2	22190-100002	WASHER, SEAL 10	2							
29	2	22190-120002	WASHER, SEAL 12	1							
30	2	22190-220002	WASHER, SEAL 22	1							
31	2	23414-080000	GASKET, 8X1.0	1							
32	2	24311-000120	O-RING, 1AP12.0	3							
33	2	24311-000320	O-RING, 1AP32.0	3							
34	2	24341-000240	O-RING, 1AS24.0	1							
35	1	119640-92750	WRENCH, FILTER 80	1							2

Remarks

(1)Optional parts.

(2)Loose parts.



Parts No. Index

Parts No.	Fig. No.	Ref. No.
105025-59560	14	7
105025-59580	14	11
114110-07761	14	13
114250-53080	13	5
114250-53120	13	11
114250-53130	13	12
114250-53140	13	13
114250-53210	13	14
119060-61990	18	3
119578-91351	17	13
		31
119593-59581	13	67
119609-32040	2	9
	19	15
119620-01750	3	3
119620-77461	16	13
119620-77471	16	14
119620-77490	16	15
119620-79200	16	7
119620-79210	16	8
119620-79220	16	9
119620-79230	16	10
119620-79250	16	5
119620-79290	16	19
119620-79300	16	20
119620-79310	16	21
119620-79320	16	22
119620-79330	16	23
119620-79340	16	24
119620-79350	16	25
119625-11880	4	29
	19	7
119626-77210	16	1
119626-77450	16	12
119640-92750	19	35
119740-77251	16	26
119761-39450	9	27
119802-01561	2	5
119802-03110	4	40
119802-03121	4	41
119802-03130	4	42
119802-03141	4	43
119802-11260	4	4
119802-11270	4	5
119802-11280	4	6
119802-11870	4	28
	19	6
119802-25071	7	17
119802-25101	7	11
119802-25901	7	16

Parts No.	Fig. No.	Ref. No.
119802-35100	9	20
119802-35110	9	21
119802-39450	9	29
119802-51090	11	12
119802-51560	11	58
119802-51680	11	68
119802-51690	11	69
119802-77330	16	29
119803-01520	2	4
119803-21200	8	5
119803-25050	7	10
119803-53400	13	15
119803-77520	5	8
119803-77830	4	57
119852-51630	11	73
119852-51640	11	74
119852-51650	11	76
119865-21600	8	16
119934-01800	2	3
119934-59910	11	134
119940-77270	16	28
120130-11860	4	60
120270-54410	4	31
121023-01551	2	19
121111-21501	8	12
121250-44901	10	34
121267-44741	10	25
121400-11340	4	24
	19	4
121520-34810	9	16
121550-23200	8	32
121750-59890	14	12
121850-21680	8	11
121850-51960	2	10
	19	25
123501-79240	16	4
123900-13610	6	5
123900-13630	6	6
124060-01050	1	4
124060-77680	13	63
		68
124160-01751	2	6
	4	36
124160-01910	1	6
		7
124160-11360	4	51
124160-39140	9	28
124240-01871	2	7
124395-49840	10	17
	19	24

Parts No.	Fig. No.	Ref. No.
124460-11340	4	25
	19	5
124465-44950	10	36
	19	20
124722-59050	13	65
124766-59050	14	5
		9
128401-77440	16	11
129001-01250	1	5
129001-01340	1	28
	19	2
129001-02931	1	29
129001-32002	9	1
129004-03010	4	38
129004-11241	4	1
129004-11251	4	2
129004-11310	4	46
	19	3
129004-11650	4	8
129004-11900	4	30
129004-13200	6	20
	19	10
129004-34802	9	15
129004-42040	10	15
129004-55612	14	1
129005-11100	4	20
129005-22080	8	17
129005-22500	8	19
129005-22900	8	38
129005-22950	8	40
129005-59830	9	30
129008-21000	8	1
129008-51390	11	40
129008-51900	11	10
129008-51920	11	11
129008-61301	12	20
129008-77800	4	58
129008-77820	4	59
129017-03100	5	1
129017-07900	4	54
129017-11350	4	37
129017-11700	4	13
129017-12110	5	4
	19	8
129017-12120	5	5
129017-13100	6	3
129017-13150	6	2
129017-13800	6	8
129017-13900	6	15
129017-42000	10	1

Parts No.	Fig. No.	Ref. No.
129017-49630	10	38
129017-49640	10	42
129017-53000	13	2
129017-59810	13	47
129017-59820	13	51
129017-59830	13	55
129017-75110	17	1
129017-92611	19	1
129052-77380	16	3
129052-77422	16	6
129052-79260	16	17
129052-79270	16	18
129054-77800	18	4
129054-77811	18	6
129054-77820	18	7
129054-77830	18	8
129100-01580	3	1
		14
	8	2
129100-01640	3	15
129100-01730	3	6
129100-11112	4	21
129100-23910	8	35
129100-35140	9	22
129100-35301	9	18
129100-42051	10	3
129100-42121	10	4
129128-21590	8	13
129129-14580	7	3
129136-77011	15	1
129136-77310	15	2
129136-77520	15	14
129150-01200	1	27
129150-02020	1	9
129150-02450	7	4
129150-02871	1	32
129150-02931	1	24
129150-02941	1	35
129150-03070	4	39
129150-11230	4	9
129150-11280	4	7
129150-11370	4	12
129150-11750	4	11
129150-11810	4	61
129150-13110	6	1
	19	9
129150-14101	7	7
129150-14200	7	1
129150-14400	7	2
129150-23601	8	33



Parts No. Index

Parts No.	Fig. No.	Ref. No.
129150-23611	8	36
129150-25301	7	15
129150-32020	9	13
	19	14
129150-35042	9	17
	19	16
129150-35111	9	23
	19	17
129150-35153	9	24
129150-49360	19	21
129150-49811	10	29
	19	23
129150-59120	13	42
129150-59131	13	45
129150-77511	5	7
	19	26
129155-49801	10	28
129202-22300	8	25
129237-59120	13	61
129242-55711	14	14
129242-55720	14	15
129242-55730	14	16
129242-55740	14	17
129242-55750	14	18
129242-55760	14	19
129242-55770	14	20
129245-01780	3	7
129263-21660	8	9
129263-51251	11	141
129263-77941	11	127
129268-59551	13	60
129350-49530-1	10	30
129400-77490	15	12
129400-77571	15	18
129410-03990	5	3
129418-18320	6	4
129423-77710	16	16
129486-01670	3	18
129486-42021	10	14
	19	18
129486-42140	10	16
	19	19
129486-59551	13	64
129550-42350	10	23
129612-01600	3	2
129630-59010	14	4
129657-51590	11	63
129657-51600	11	64
129795-01780	3	17
129795-01950	2	8

Parts No.	Fig. No.	Ref. No.
129795-02412	1	12
129795-11120	4	22
129795-11180	4	23
129795-21661	8	10
129795-49551	10	31
	19	22
129900-07900	4	55
129900-77400	15	3
129900-77440	15	6
129900-77450	15	7
129900-77460	15	9
129900-77480	15	10
129900-77500	15	11
129900-77640	15	19
129906-01640	3	8
129907-55801	14	2
129916-49740	10	10
129927-13810	6	12
	19	11
129927-13910	6	16
	19	12
129927-13920	6	17
	19	13
129927-44900	10	35
129927-51650	11	125
129927-51660	11	126
129927-51670	11	129
129927-75900	17	19
129927-77600	17	11
		29
129927-77680	17	12
		30
129927-77690	16	34
129927-77920	16	35
129927-77930	16	36
129928-79700	4	47
129938-77800	18	1
129938-77810	18	13
129950-59311	14	8
129961-59110	14	6
		10
129972-77341	16	30
158552-51151	7	18
158552-51571	11	59
		60
158552-51580	11	62
158552-51670	11	130
158552-51781	11	100
158552-52100	11	132
158552-52311	11	109

Parts No.	Fig. No.	Ref. No.
158552-52400	11	110
158552-52500	11	133
158553-51670	11	67
158553-51680	11	79
158553-51770	11	106
158553-51930	11	103
	12	2
158553-61780	12	24
158557-51570	11	61
158557-61720	12	23
158563-51281	11	38
		39
158563-51330	11	49
158600-51270	11	37
158601-51550	11	57
158601-51650	11	128
158601-51770	11	99
158601-51790	11	101
171008-77450	15	8
171008-77510	15	13
171008-77540	15	15
171008-77650	15	20
171008-77660	15	24
171008-77670	15	25
171008-77750	15	31
171031-11741	2	22
171051-01921	1	8
171056-49120	10	33
171353-44760	10	26
172B02-17150	16	32
		33
185100-50070	18	5
194990-22130	18	2
22190-080002	2	11
	9	31
		33
	19	27
22190-100002	9	34
	19	28
22190-120002	10	37
	11	104
		111
		135
	12	25
	19	29
22190-180002	11	105
22190-220002	19	30
22217-050000	11	136
22217-140000	11	112
22252-000260	8	26

Parts No.	Fig. No.	Ref. No.
22312-050140	11	113
22351-050010	11	114
22351-060012	4	32
22512-070140	7	8
	8	6
		8
22857-500100	4	48
		49
22877-500080	17	14
		32
23080-012000	10	41
		45
23414-080000	10	18
	19	31
23857-030000	9	32
23875-020000	10	11
23876-010000	10	12
24311-000070	11	116
	18	11
24311-000120	4	52
	19	32
24311-000160	14	21
24311-000320	2	12
		23
	4	53
	19	33
24321-000750	14	22
24341-000240	2	20
	19	34
24341-000480	12	26
24356-190180	11	117
24356-190200	11	70
		118
24372-000150	11	71
25152-003900	10	24
26023-040202	18	12
26106-060102	11	119
26106-060122	11	137
	18	14
26106-060162	2	21
	12	27
26106-060202	12	28
26106-060322	15	29
26106-060402	10	27
	15	30
26106-080102	4	50
26106-080122	10	19
26106-080142	7	9
26106-080162	2	13
		14



Parts No. Index

Parts No.	Fig. No.	Ref. No.
26106-080162	3	10
	4	56
	10	20
	11	142
26106-080202	5	6
		9
	9	26
26106-080222	10	32
26106-080252	3	11
	4	33
	12	29
	16	37
26106-080302	2	15
	14	3
26106-080352	3	19
	4	34
	9	19
26106-080402	7	14
26106-080452	3	12
	10	21
	16	31
	3	13
26106-080502	4	35
	2	16
26106-080552	10	22
26106-080602	5	10
26106-080802	2	17
26106-080852	6	13
26106-100302		18
	6	19
26106-120252	15	32
26206-100252	3	4
26206-100302	3	5
26306-080002	2	18
	6	7
		14
26306-100002	16	27
26366-060002	9	35
26450-060252	9	14
26450-080452	11	121
26577-060142	10	13
26716-050002	11	138
26776-140002	11	122
27241-120000	1	13
27241-160000	11	139
27241-300000	1	14
27241-400000	4	19
27310-080001	4	26
729005-01560	1	1
729017-51310	11	1

Parts No.	Fig. No.	Ref. No.
729017-53100	13	1
729402-23100	8	27
729630-01500	2	1
X2114255110	15	5
X2114555500	15	21
X2114955020	15	22
X2130350900	15	4
X2240410100	15	23
X9490561001	16	2

Parts No.	Fig. No.	Ref. No.
-----------	----------	----------

Parts No.	Fig. No.	Ref. No.
-----------	----------	----------