

0CD50-M03390EN

P R E F A C E

This parts catalog is the 1st edition of 3TNV88-BPWN for Wacker Neuson.

Published : September, 2017



Fig. No. Fig. Name

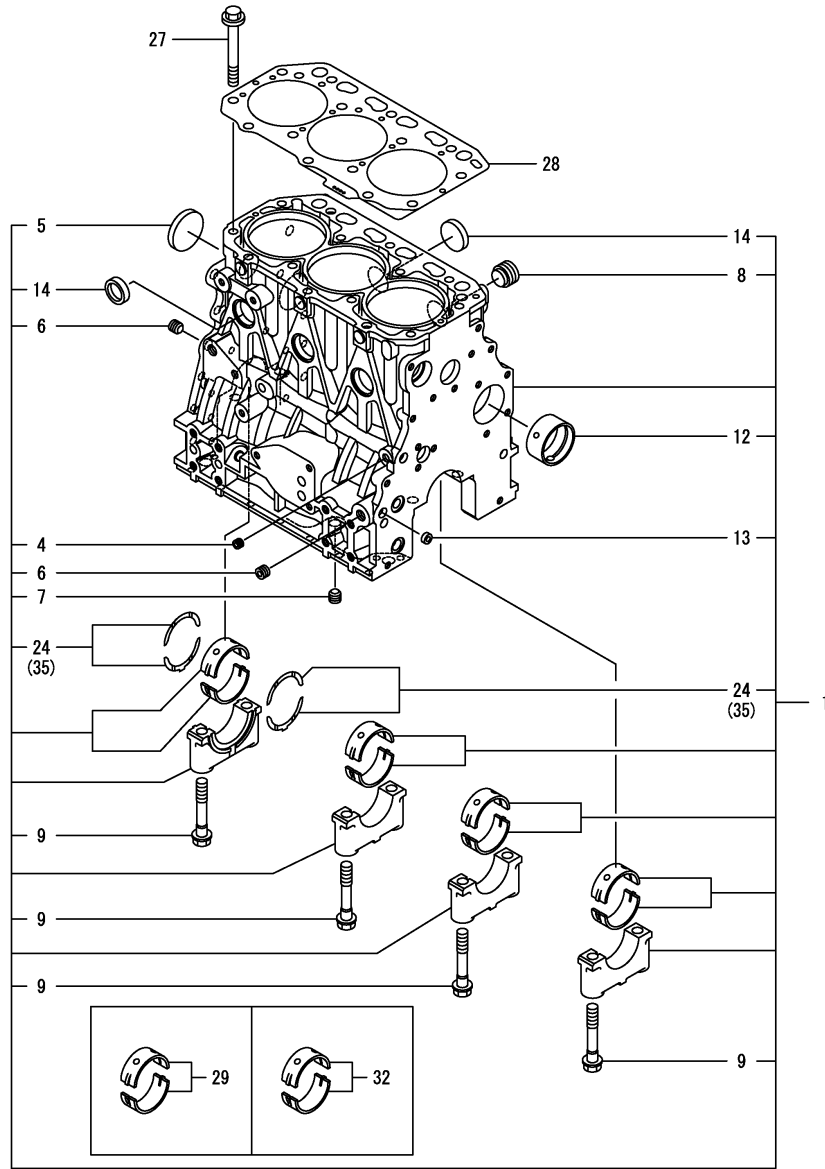
Fig. No. Fig. Name

ENGINE

1. CYLINDER BLOCK
2. GEAR HOUSING
3. FLYWHEEL HOUSING & OIL SUMP
4. CYLINDER HEAD & BONNET
5. SUCTION MANIFOLD
6. EXHAUST MANIFOLD
7. CAMSHAFT & DRIVING GEAR
8. CRANKSHAFT & PISTON
9. LUB. OIL SYSTEM
10. COOLING WATER SYSTEM
11. FUEL INJECTION PUMP
12. GOVERNOR
13. FUEL INJECTION VALVE
14. FUEL PIPE
15. STARTER MOTOR
16. GENERATOR
17. ACCESSORY
18. GASKET SET



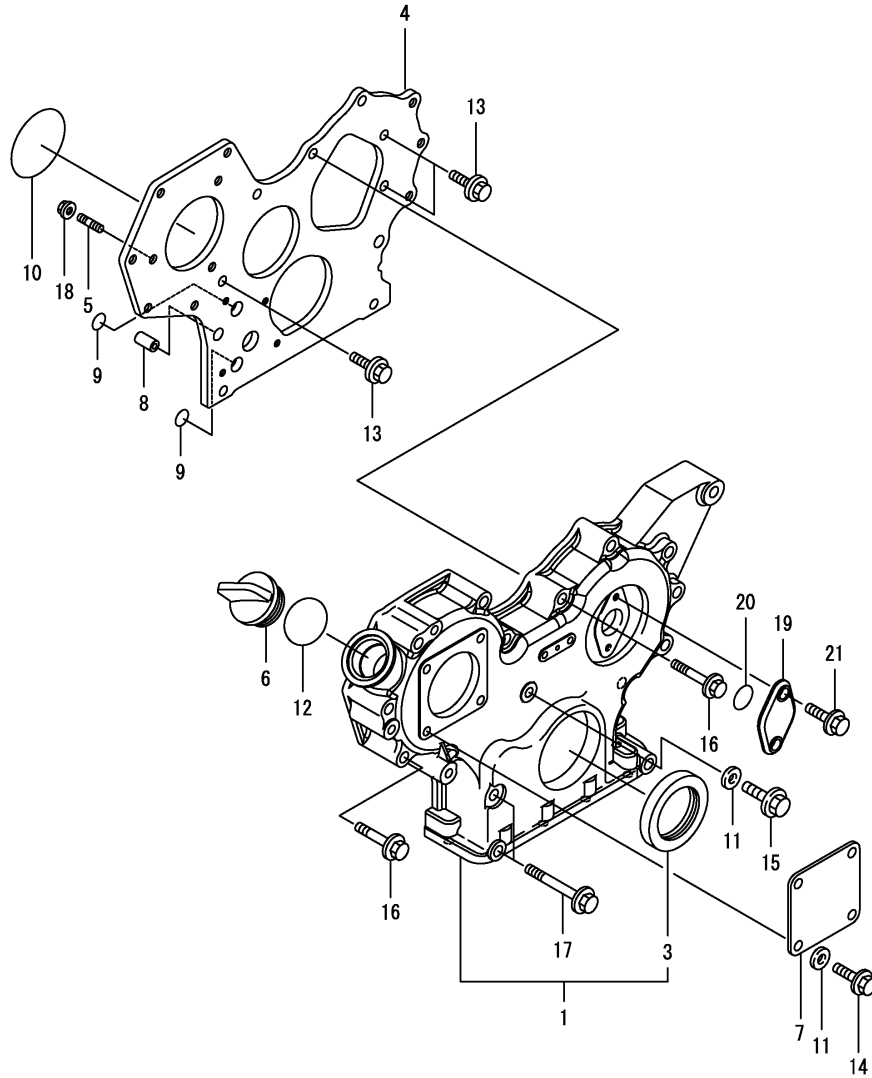
(A)=3TNV88-BPWN
 (B)=
 (C)=

 (D)=
 (E)=
 (F)=


No.	Lev.	Parts No.	Description	Q'ty						I	R
				(A)	(B)	(C)	(D)	(E)	(F)		
1	1	729005-01560	BLOCK ASSY, CYLINDER	1							
4	2	124060-01050	PLUG, PT1/8	1							
5	2	129001-01250	PLUG, DISH TYPE 50	1							
6	2	124160-01910	PLUG, PT1/4	2							
7	2	124160-01910	PLUG, PT1/4	1							
8	2	171051-01921	PLUG, NPTF1	1							
9	2	129150-02020	BOLT, METAL CAP	8							
12	2	129795-02412	BUSH, CAMSHAFT	1							
13	2	27241-120000	PLUG, 12	2							
14	2	27241-300000	PLUG 30	6							
24	2	129150-02931	BEARING ASSY, THRUST	2							
27	1	129150-01200	BOLT, CYLINDER HEAD	14							
28	1	129001-01340	GASKET, HEAD	1							
29	1	129001-02931	BEARING ASSY, MAIN	4							1
32	1	129150-02871	BEARING ASSY, MAIN	4							2
35	1	129150-02941	BEARING, THRUST 0.25	1							3

Remarks

- (1) Spare parts.
- (2) Under-sized (U.S.=0.25) parts.
- (3) Over-sized (O.S.=0.25) parts.



(A)=3TNV88-BPWN
(B)=
(C)=

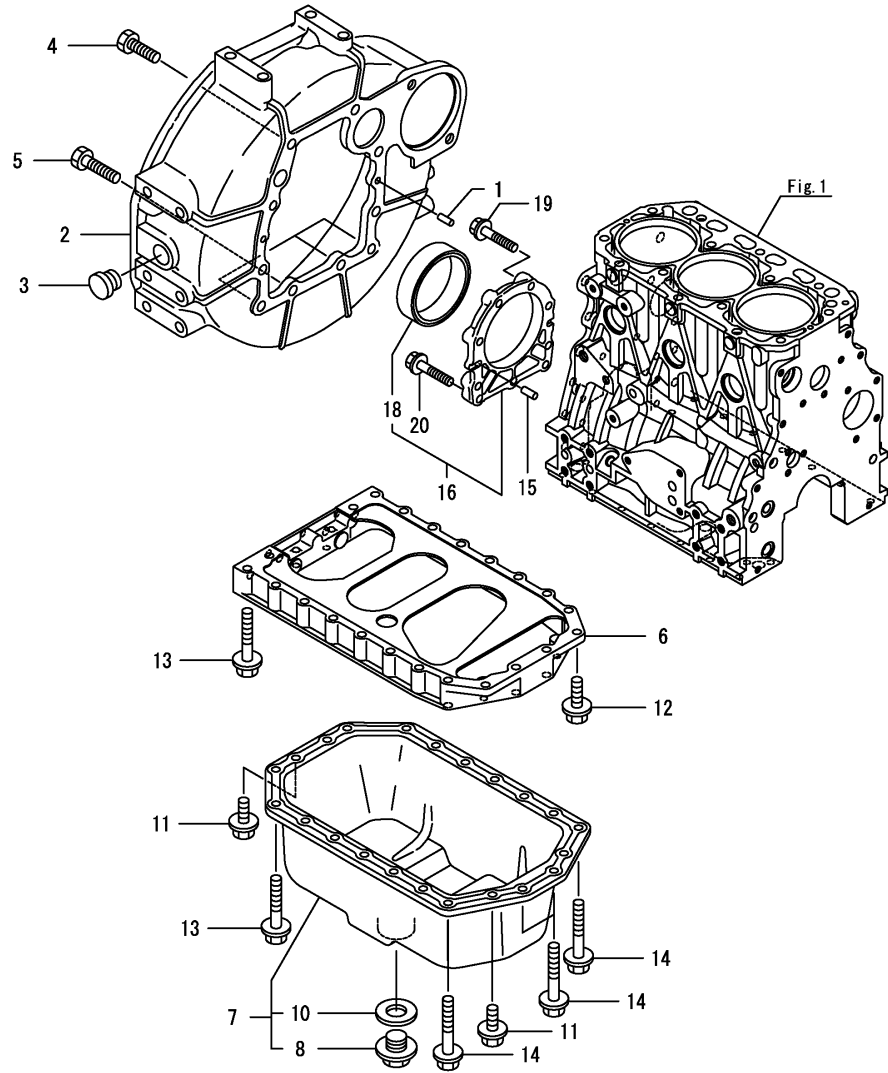
(D)=
(E)=
(F)=

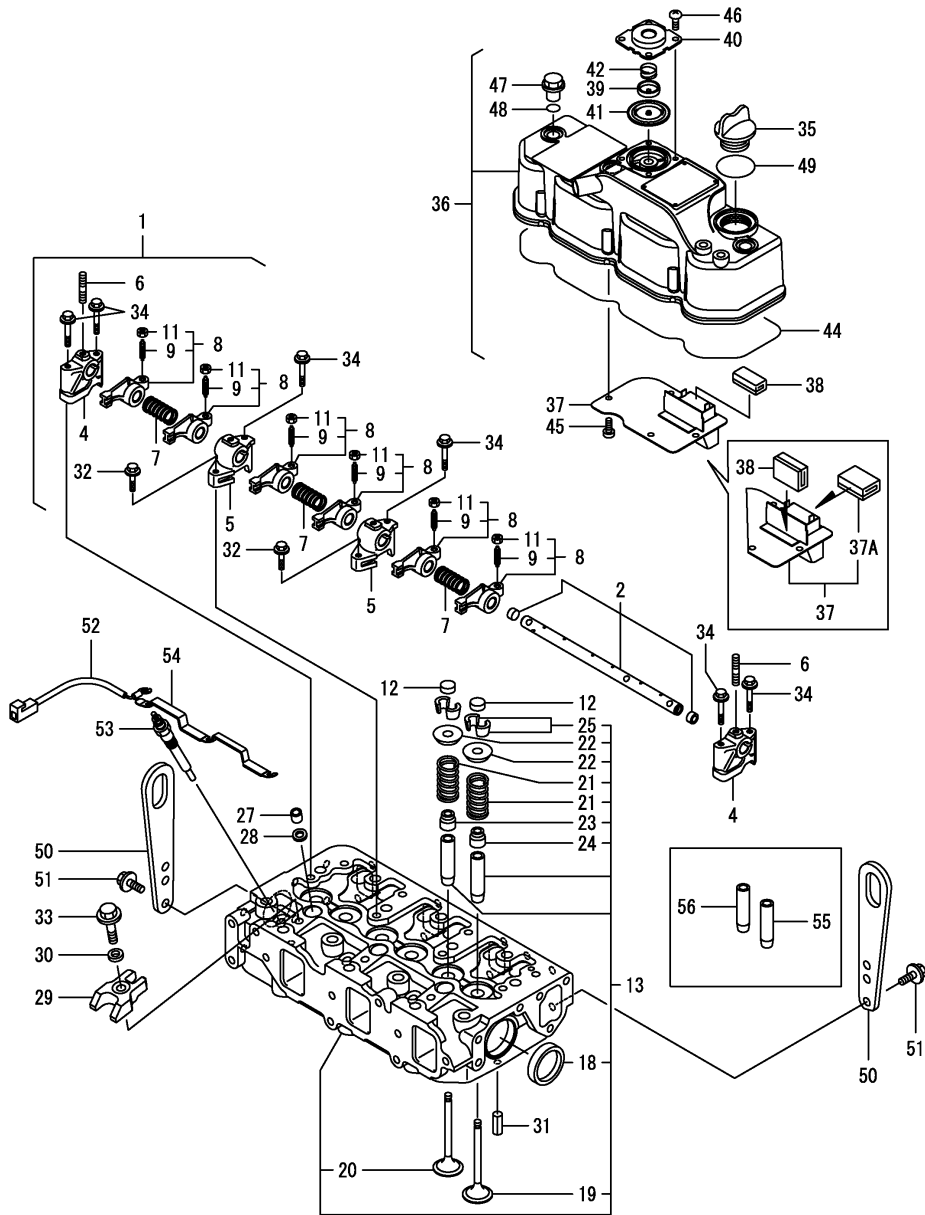
No.	Lev.	Parts No.	Description	Q'ty						I	R
				(A)	(B)	(C)	(D)	(E)	(F)		
1	1	719803-01500	CASE ASSY, GEAR	1							
3	2	119934-01800	SEAL, OIL	1							
4	1	119803-01520	FLANGE, GEAR CASE	1							
5	1	119802-01561	BOLT, STUD M8X25	3							
6	1	124160-01751	CAP, FILLER	1							
7	1	124240-01871	COVER, PUMP	1							
8	1	129795-01950	PIPE, DOWEL L=18	2							
9	1	119609-32040	O-RING, P16	2							
10	1	121850-51960	O-RING	1							
11	1	22190-080002	WASHER, SEAL 8	5							
12	1	24311-000320	O-RING, 1AP32.0	1							
13	1	26106-080162	BOLT, M8X 16 PLATED	3							
14	1	26106-080162	BOLT, M8X 16 PLATED	4							
15	1	26106-080302	BOLT, M8X 30 PLATED	1							
16	1	26106-080552	BOLT, M8X 55 PLATED	12							
17	1	26106-080852	BOLT, M8X 85 PLATED	3							
18	1	26306-080002	NUT, M8	3							
19	1	121023-01551	COVER	1							
20	1	24341-000240	O-RING, 1AS24.0	1							
21	1	26106-060162	BOLT, M6X 16 PLATED	2							

(A)=3TNV88-BPWN
(B)=
(C)=

(D)=
(E)=
(F)=

No.	Lev.	Parts No.	Description	Q'ty						I	R
				(A)	(B)	(C)	(D)	(E)	(F)		
1	1	129100-01580	PIN, PARALLEL 8X16	2							
2	1	129612-01600	HOUSING, FLYWHEEL	1							
3	1	119620-01750	CAP	1							
4	1	26206-100252	BOLT, M10X 25 PLATED	6							
5	1	26206-100302	BOLT, M10X 30 PLATED	4							
6	1	129100-01730	SPACER, OIL-PAN	1							
7	1	129136-01780	OIL PAN ASSY	1							
8	2	119640-01640	PLUG, DRAIN M22	1							
10	2	22190-220002	WASHER, SEAL 22	1							
11	1	26106-080162	BOLT, M8X 16 PLATED	4							
12	1	26106-080252	BOLT, M8X 25 PLATED	2							
13	1	26106-080452	BOLT, M8X 45 PLATED	16							
14	1	26106-080502	BOLT, M8X 50 PLATED	4							
15	1	129100-01580	PIN, PARALLEL 8X16	2							
16	1	129648-01600	CASE ASSY, OIL SEAL	1							
18	2	129648-01780	SEAL, OIL	1							
19	1	129486-01670	BOLT, M8X30	6							
20	1	26106-080352	BOLT, M8X 35 PLATED	3							





(A)=3TNV88-BPWN

(B)=

(C)=

(D)=

(E)=

(F)=

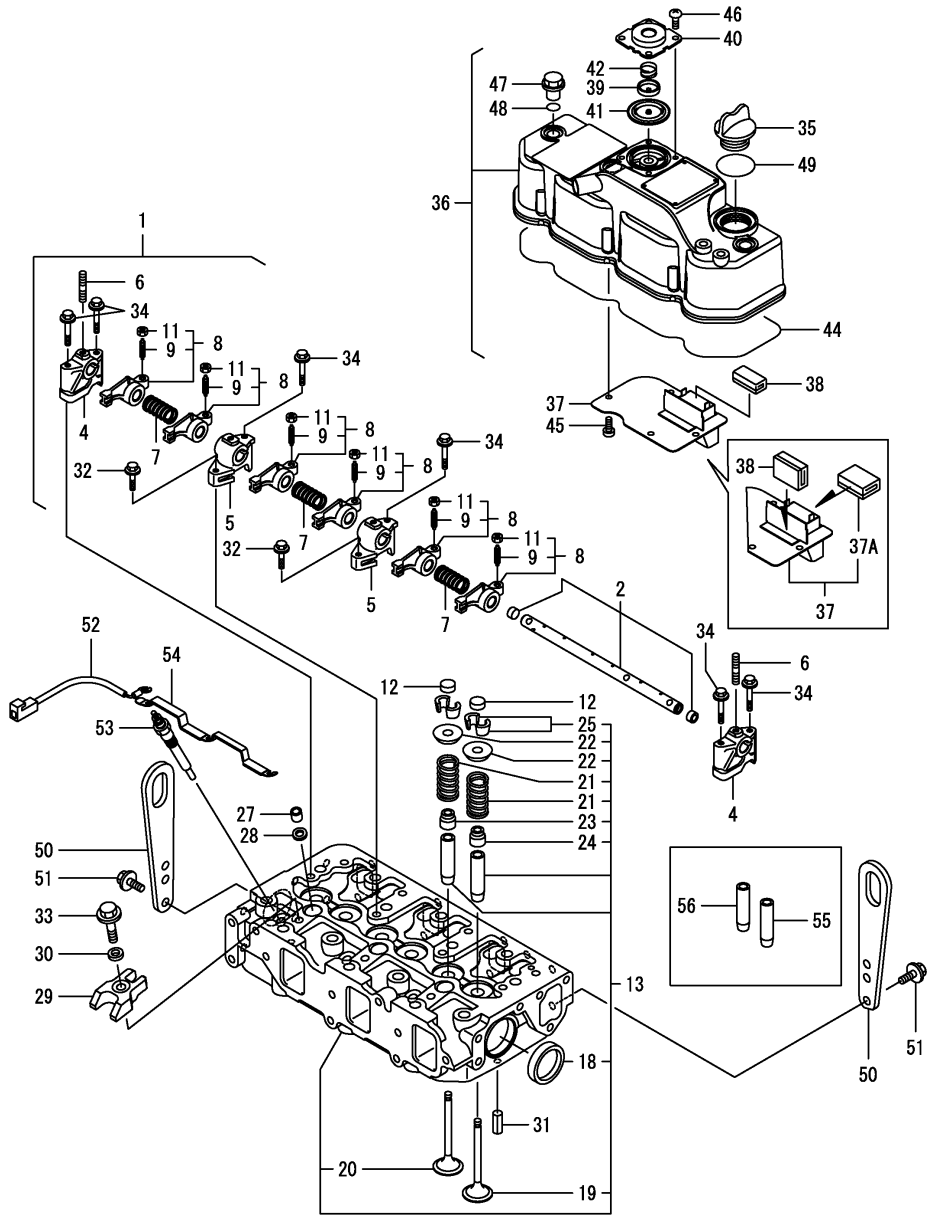
No.	Lev.	Parts No.	Description	Q'ty						I	R
				(A)	(B)	(C)	(D)	(E)	(F)		
1	1	129004-11241	SHAFT ASSY, ROCKER	1							
2	2	129004-11251	SHAFT, ROCKER ARM	1							
4	2	119802-11260	SUPPORT, ROCKER ARM	2							
5	2	119802-11270	SUPPORT, ROCKER ARM	2							
6	2	119802-11280	BOLT, STUD	3							
7	2	129150-11280	SPRING, SHAFT	3							
8	2	129004-11650	ARM ASSY, ROCKER	6							
9	3	129150-11230	SCREW, VALVE ADJUST	6							
11	3	129150-11750	NUT, M8XP1.0	6							
12	1	129150-11370	CAP, VALVE	6							
13	1	129008-11700	HEAD ASSY, CYLINDER	1							
18	2	27241-400000	PLUG, 40	2							
19	2	129005-11100	VALVE, INTAKE	3							
20	2	129100-11112	VALVE, EXHAUST	3							
21	2	129795-11120	SPRING, VALVE	6							
22	2	129795-11180	RETAINER, SPRING	6							
23	2	121400-11340	SEAL, VALVE STEM	3							
24	2	124460-11340	SEAL, VALVE STEM	3							
25	2	27310-080001	COTTER, 8	6							
27	1	119802-11870	PROTECTOR, NOZZLE	3							
28	1	119625-11880	SEAT, NOZZLE	3							
29	1	129004-11900	RETAINER, NOZZLE	3							
30	1	120270-54410	WASHER, INJECTOR	3							
31	1	22351-060012	PIN, SPRING 6.0X12	2							
32	1	26106-080252	BOLT, M8X 25 PLATED	2							
33	1	26106-080352	BOLT, M8X 35 PLATED	3							
34	1	26106-080502	BOLT, M8X 50 PLATED	6							
35	1	124160-01751	CAP, FILLER	1							
36	1	129004-11350	BONNET ASSY, HEAD	1							
36-1	1	129236-11350	BONNET ASSY	1							N
(A=E153241)											
37	2	129004-03010	PLATE, BAFFLE	1							
37A	3	119802-03070	BAFFLE, BREATHER	1							W
(A=E170540)											
38	2	129150-03070	BAFFLE, BREATHER	1							
39	2	119802-03110	PLATE, DIAPHRAGM	1							
40	2	119802-03121	COVER, DIAPHRAGM	1							
40-1	2	129236-03120	COVER, DIAPHRAGM	1							N
(A=E153241)											
41	2	119802-03130	DIAPHRAGM, BREATHER	1							
42	2	119802-03141	SPRING, DIAPHRAGM	1							
44	2	129004-11310	GASKET, BONNET	1							
45	2	22857-500100	SCREW, 5X10	4							
46	2	22857-500100	SCREW, 5X10	4							
47	1	124160-11360	KNOB, BONNET	3							
48	1	24311-000120	O-RING, 1AP12.0	3							
49	1	24311-000320	O-RING, 1AP32.0	1							
50	1	129900-07900	LIFTER, ENGINE	2							
51	1	26106-080162	BOLT, M8X 16 PLATED	4							
52	1	129008-77800	PLUG, GLOW	3							
53	1	129008-77820	CONNECTOR, GLOW PLUG	1							

Remarks

(1) Spare parts.

N:Old $\xrightarrow{\text{Yes}}$ New, Q:Old $\xrightarrow{\text{No}}$ New, R:Old $\xrightarrow{\text{Yes}}$ New, S:Old $\xrightarrow{\text{No}}$ New, W:Add, Z:Discontinued, F:Interchangeable by set, K:Q'ty Change

++ CONTINUE ++



(A)=3TNV88-BPWN
(B)=
(C)=

(D)=
(E)=
(F)=

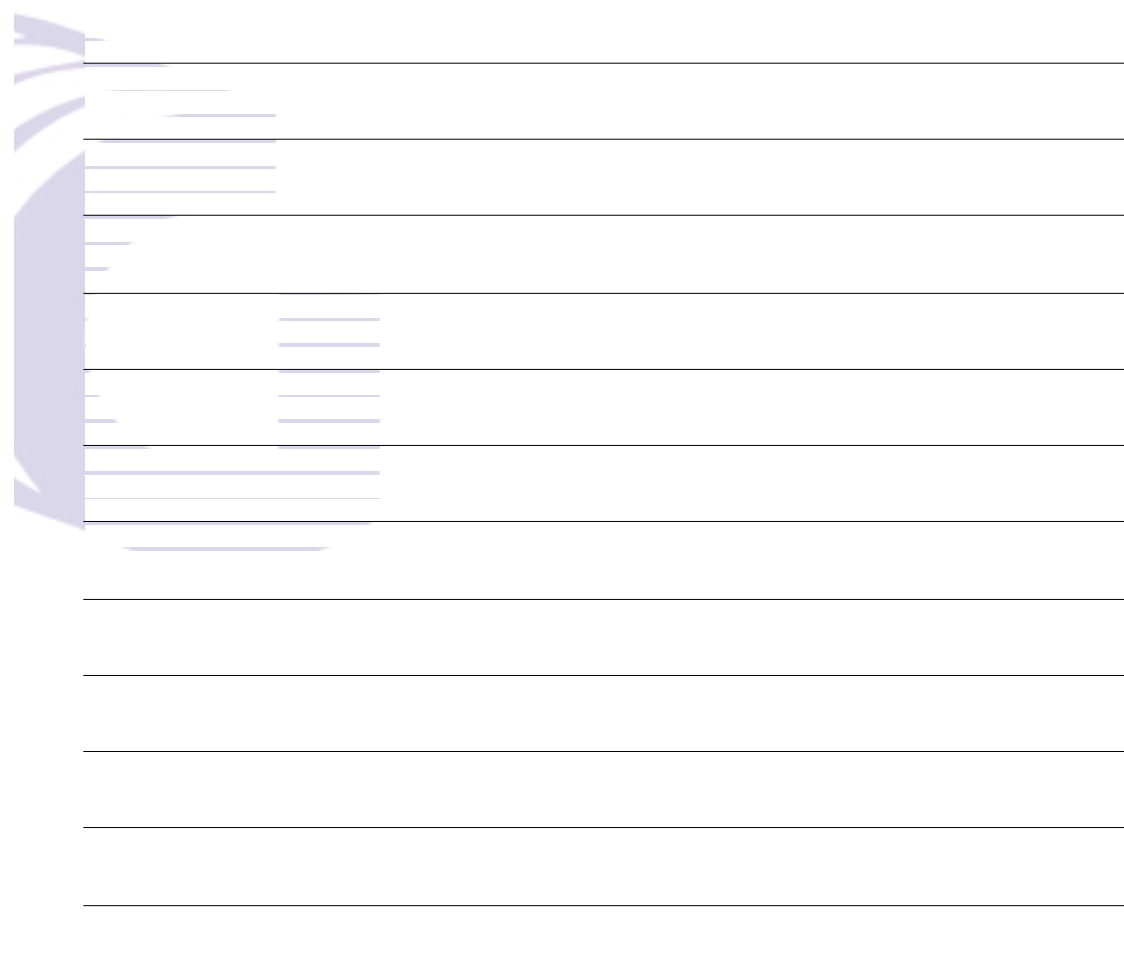
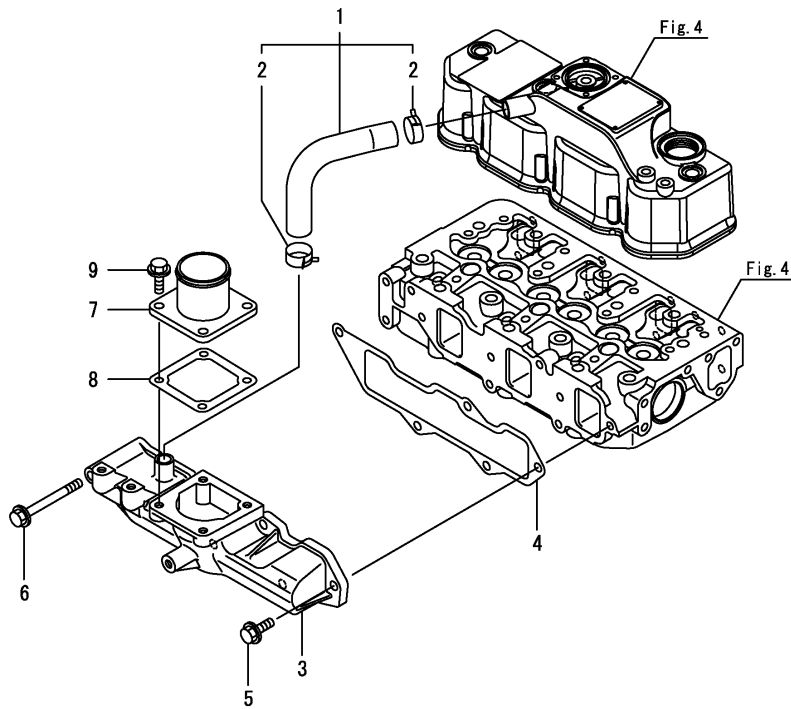
No.	Lev.	Parts No.	Description	Q'ty						I	R
				(A)	(B)	(C)	(D)	(E)	(F)		
54	1	120130-11860	GUIDE, VALVE	3							1
55	1	129150-11810	GUIDE, VALVE	3							1

Remarks
(1) Spare parts.

(A)=3TNV88-BPWN
 (B)=
 (C)=

(D)=
 (E)=
 (F)=

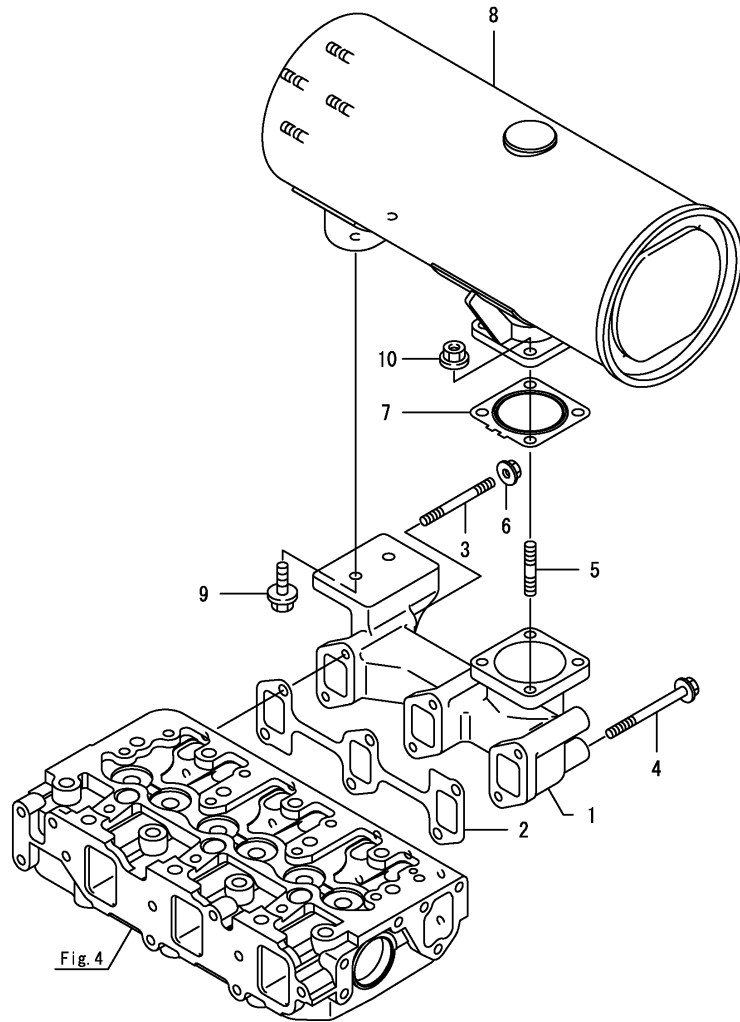
No.	Lev.	Parts No.	Description	Q'ty						I	R
				(A)	(B)	(C)	(D)	(E)	(F)		
1	1	129005-03080	HOSE ASSY, BREATHER	1							
2	2	129410-03990	CLAMP, HOSE 21.5	2							
3	1	129005-12101	MANIFOLD, AIR INTAKE	1							
4	1	129001-12110	GASKET, MANIFOLD	1							
5	1	26106-080202	BOLT, M8X 20 PLATED	4							
6	1	26106-080802	BOLT, M8X 80 PLATED	1							
7	1	129486-12581	JOINT, MANIFOLD	1							
8	1	129150-77511	GASKET, AIR HEATER	1							
9	1	26106-080202	BOLT, M8X 20 PLATED	4							



(A)=3TNV88-BPWN
(B)=
(C)=

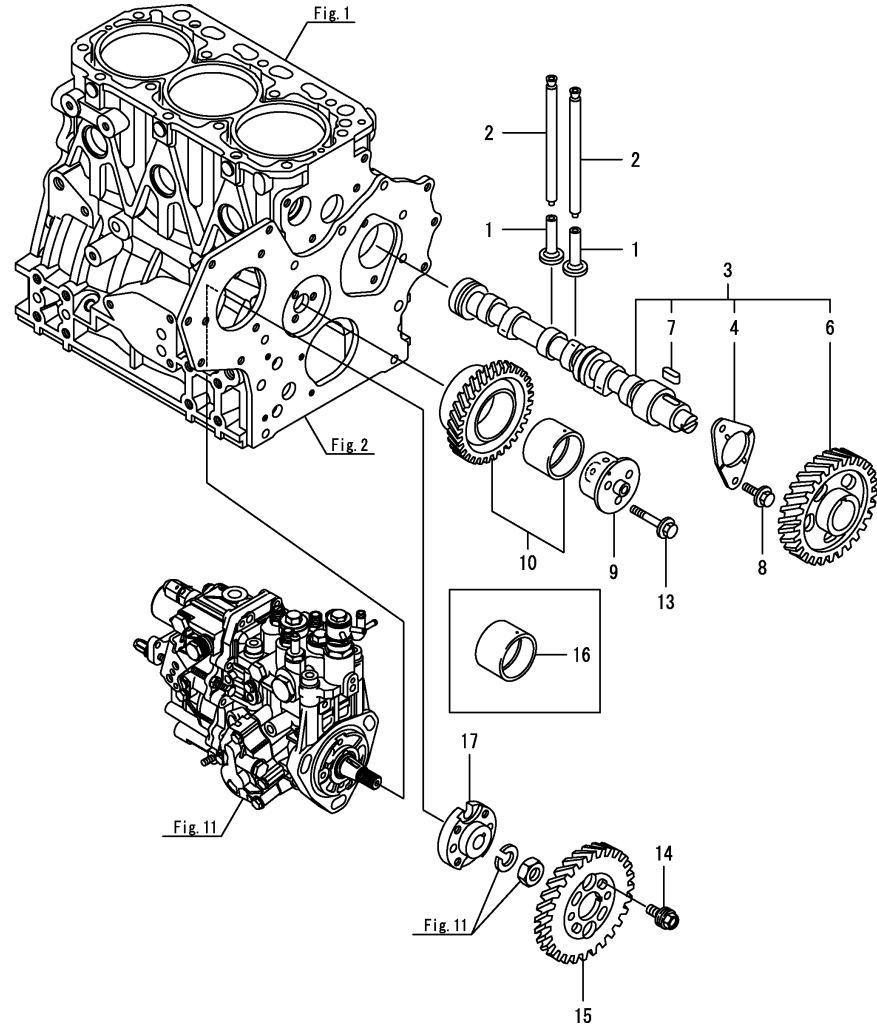
(D)=
(E)=
(F)=

No.	Lev.	Parts No.	Description	Q'ty						I	R
				(A)	(B)	(C)	(D)	(E)	(F)		
1	1	129004-13109	MANIFOLD, EXHAUST	1							
2	1	129150-13110	GASKET, EXH.MANIFOLD	1							
3	1	123900-13610	BOLT, STUD M8X80	2							
4	1	123900-13630	BOLT, M8X80	4							
5	1	119131-18320	BOLT, STUD M8X22	4							
6	1	26306-080002	NUT, M8	2							
7	1	129004-13200	GASKET, SILENCER	1							
8	1	129004-13550	SILENCER	1							
9	1	26106-080252	BOLT, M8X 25 PLATED	2							
10	1	26306-080002	NUT, M8	4							



(A)=3TNV88-BPWN
(B)=
(C)=

(D)=
(E)=
(F)=

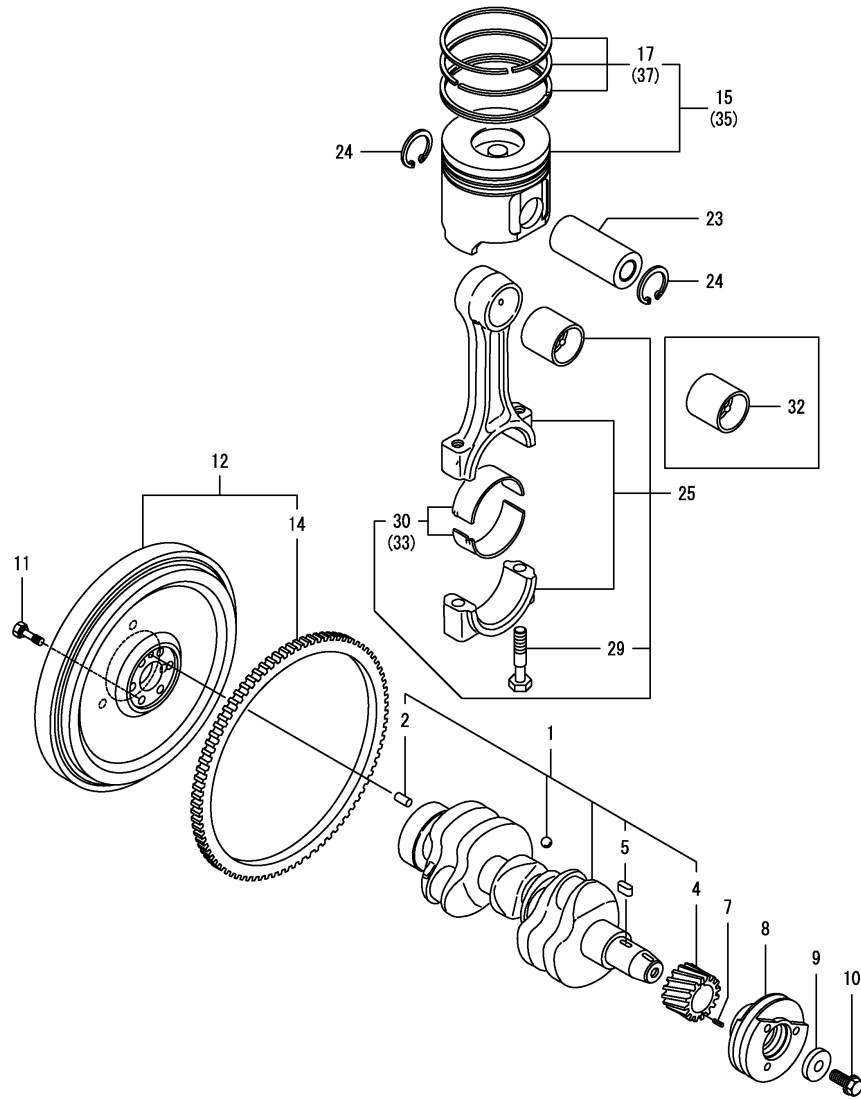


No.	Lev.	Parts No.	Description	Q'ty						I	R
				(A)	(B)	(C)	(D)	(E)	(F)		
1	1	129150-14200	TAPPET	6							
2	1	129150-14400	PUSH-ROD, L=178	6							
3	1	129129-14580	CAMSHAFT ASSY	1							
4	2	129150-02450	BEARING, THRUST	1							
6	2	129150-14101	GEAR, CAMSHAFT	1							
7	2	22512-070140	KEY, 7X 14	1							
8	1	26106-080142	BOLT, M8X 14 PLATED	2							
9	1	119803-25050	SHAFT, IDLE	1							
10	1	119802-25101	GEAR ASSY, IDLE	1							
13	1	26106-080402	BOLT, M8X 40 PLATED	3							
14	1	129150-25301	BOLT	4							
15	1	119802-25901	GEAR, PUMP	1							
16	1	119802-25071	BUSH, IDLE GEAR	1							1
17	1	158552-51151	FLANGE	1							

Remarks
(1)Spare parts.

(A)=3TNV88-BPWN
(B)=
(C)=

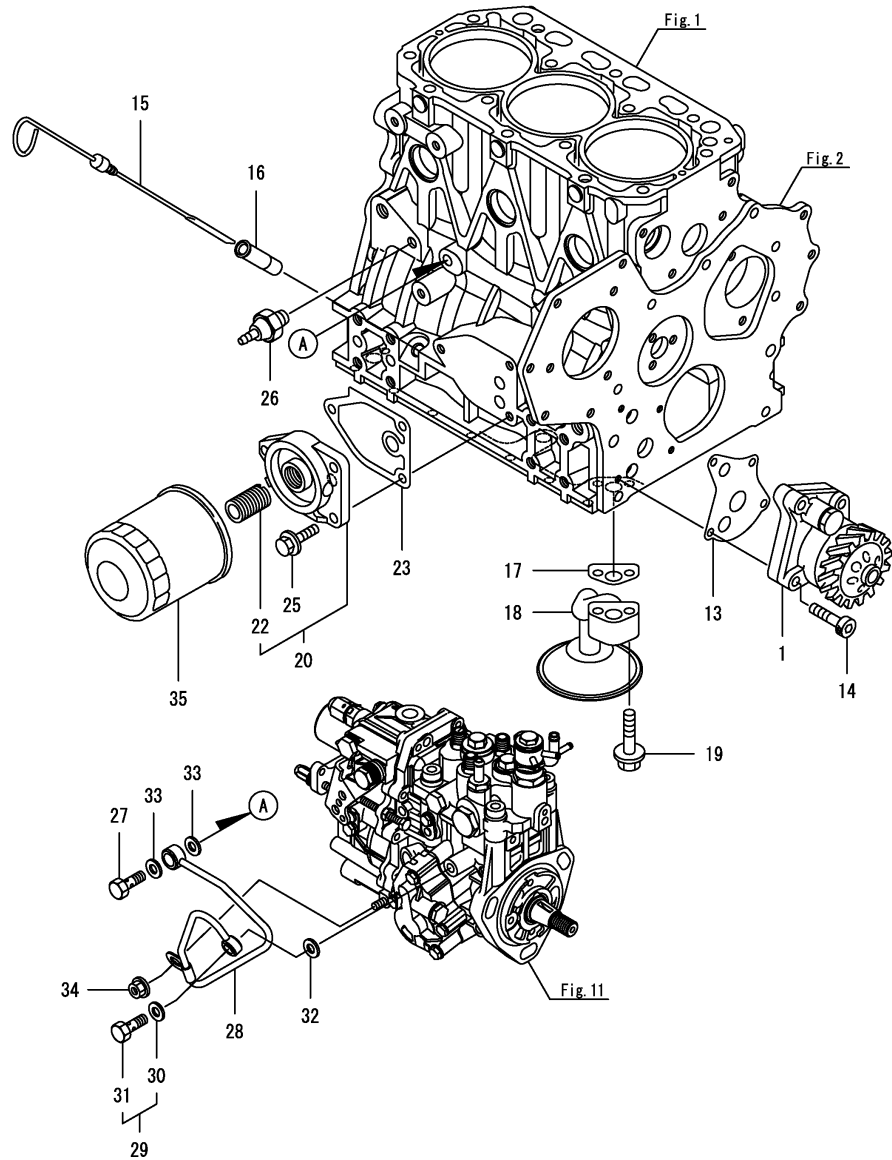
(D)=
(E)=
(F)=



No.	Lev.	Parts No.	Description	Q'ty						I	R
				(A)	(B)	(C)	(D)	(E)	(F)		
1	1	129008-21000	CRANKSHAFT ASSY	1							
2	2	129100-01580	PIN, PARALLEL 8X16	1							
4	2	119803-21200	GEAR, CRANKSHAFT	1							
5	2	22512-070140	KEY, 7X 14	1							
7	1	22351-030010	PIN, SPRING 3.0X10	1							
8	1	129004-21650	V-PULLEY, CRANK 110	1							
9	1	129795-21661	WASHER	1							
10	1	121850-21680	BOLT	1							
11	1	121111-21501	BOLT, FLYWHEEL	6							
12	1	129030-21590	FLYWHEEL ASSY	1							
14	2	119865-21600	GEAR, RING Z=116	1							
15	1	129005-22080	PISTON ASSY	3							
17	2	129005-22500	RING SET, PISTON	3							
23	1	129202-22300	PIN, PISTON D26 L70	3							
24	1	22252-000260	RING, 26	6							
25	1	729402-23100	ROD ASSY, CONNECTING	3							
29	2	121550-23200	BOLT, CONNECTING ROD	6							
30	2	129150-23601	BEARING, CRANK PIN	3							
32	1	129100-23910	BEARING, PISTON PIN	3							1
33	1	129150-23611	BEARING, 0.25 US	3							2
35	1	129005-22900	PISTON ASSY, 0.25 OS	3							3
37	2	129005-22950	RING SET, 0.25 OS	3							3

Remarks

- (1) Spare parts.
- (2) Under-sized (U.S.=0.25) parts.
- (3) Over-sized (O.S.=0.25) parts.



(A)=3TNV88-BPWN
(B)=
(C)=

(D)=
(E)=
(F)=

No.	Lev.	Parts No.	Description	Q'ty						I	R
				(A)	(B)	(C)	(D)	(E)	(F)		
1	1	129001-32002	PUMP ASSY, OIL	1							
13	1	129150-32020	GASKET, PUMP	1							
14	1	26450-060252	BOLT, M6X 25	4							
15	1	129004-34802	DIPSTICK	1							
16	1	121520-34810	GUIDE, DIPSTICK	1							
17	1	129150-35042	GASKET	1							
18	1	129100-35301	PIPE ASSY, OIL INLET	1							
19	1	26106-080352	BOLT, M8X 35 PLATED	2							
20	1	119802-35100	BRACKET ASSY, FILTER	1							
22	2	129100-35140	BOLT, STUD	1							
23	1	129150-35111	GASKET	1							
25	1	26106-080202	BOLT, M8X 20 PLATED	3							
26	1	121252-39450	SWITCH, HYDRAULIC	1							
27	1	124160-39140	BOLT, PIPE JOINT M10	1							
28	1	119802-39450	PIPE ASSY, OIL	1							
29	1	129005-59830	BOLT ASSY, JOINT M8	1							
30	2	22190-080002	WASHER, SEAL 8	1							
31	2	23857-030000	BOLT, JOINT 3	1							
32	1	22190-080002	WASHER, SEAL 8	1							
33	1	22190-100002	WASHER, SEAL 10	2							
34	1	26366-060002	NUT, M6	1							
35	1	119005-35151	FILTER, D80X100	1							1

Remarks

(1) Spare parts.

(A)=3TNV88-BPWN

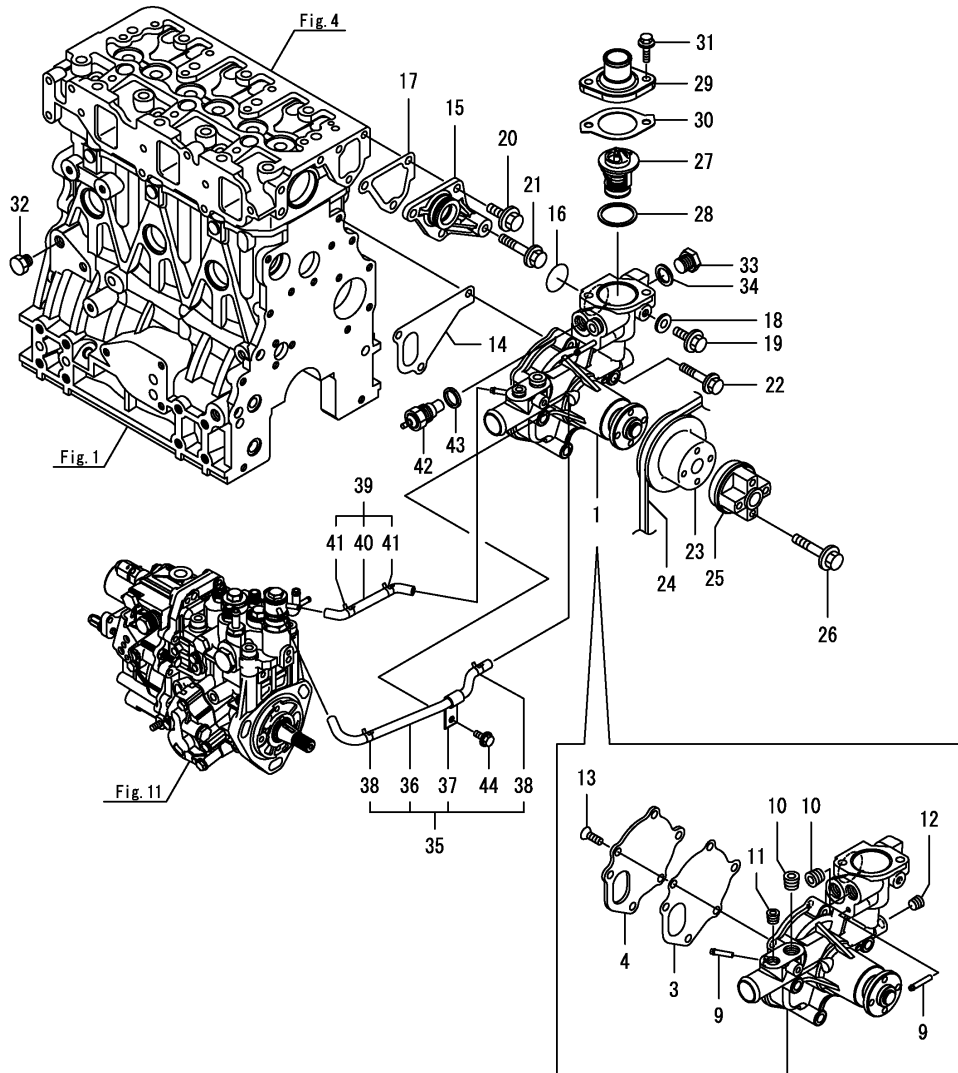
(B)=

(C)=

(D)=

(E)=

(F)=



No.	Lev.	Parts No.	Description	Q'ty						I	R
				(A)	(B)	(C)	(D)	(E)	(F)		
1	1	129004-42001	PUMP ASSY, WATER	1							
3	2	129100-42051	GASKET, WATER PUMP	1							
4	2	129100-42121	PLATE, PUMP	1							
9	2	119802-49113	JOINT, PIPE	2							
10	2	129916-49740	PLUG, R3/8	2							
11	2	23875-020000	PLUG, R02	1							
12	2	23876-010000	PLUG, R01	1							
13	2	26577-060142	SCREW M 6X 14	3							
14	1	129486-42021	GASKET, WATER PUMP	1							
15	1	129004-42040	JOINT	1							
16	1	129486-42140	O-RING, G30	1							
17	1	124395-49840	GASKET, THERMOSTAT	1							
18	1	23414-080000	GASKET, 8X1.0	1							
19	1	26106-080122	BOLT, M8X 12 PLATED	1							
20	1	26106-080162	BOLT, M8X 16 PLATED	3							
21	1	26106-080452	BOLT, M8X 45 PLATED	1							
22	1	26106-080602	BOLT, M8X 60 PLATED	3							
23	1	129403-42380	V-PULLEY, D=110	1							
24	1	25152-003800	V-BELT, A38	1							
25	1	129030-44760	SPACER, FAN L38.5	1							
26	1	26106-060602	BOLT, M6X 60 PLATED	4							
27	1	129457-49801	THERMOSTAT, 82	1							
28	1	129150-49811	GASKET, THERMOSTAT	1							
29	1	129350-49530	COVER, THERMOSTAT	1							
30	1	129795-49551	GASKET	1							
31	1	26106-080222	BOLT, M8X 22 PLATED	2							
32	1	119620-49290	COCK ASSY, 1/4	1							
33	1	121450-42450	PLUG, M16	1							
34	1	124465-44950	GASKET, 16	1							
35	1	129004-49610	HOSE ASSY, WATER	1							
36	2	129004-49711	HOSE, WATER	1							
37	2	119802-49730	RETAINER, PIPE	1							
38	2	124722-59050	CLAMP, HOSE 9	2							
39	1	129004-49620	HOSE ASSY, WATER	1							
40	2	129004-49721	HOSE, WATER	1							
41	2	124722-59050	CLAMP, HOSE 9	2							
42	1	124250-49351	SENSOR, WATER TEMP.	1							
43	1	129150-49360	GASKET	1							
44	1	26106-060122	BOLT, M6X 12 PLATED	1							

(A)=3TNV88-BPWN

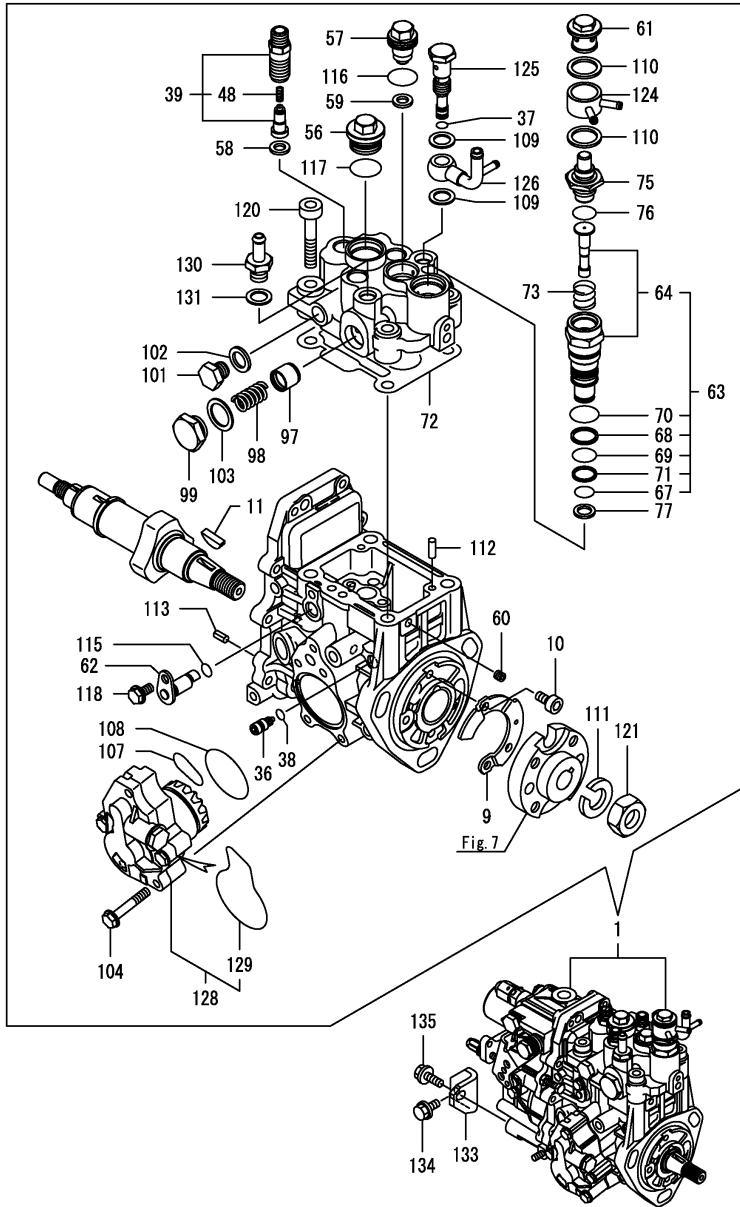
(B)=

(C)=

(D)=

(E)=

(F)=



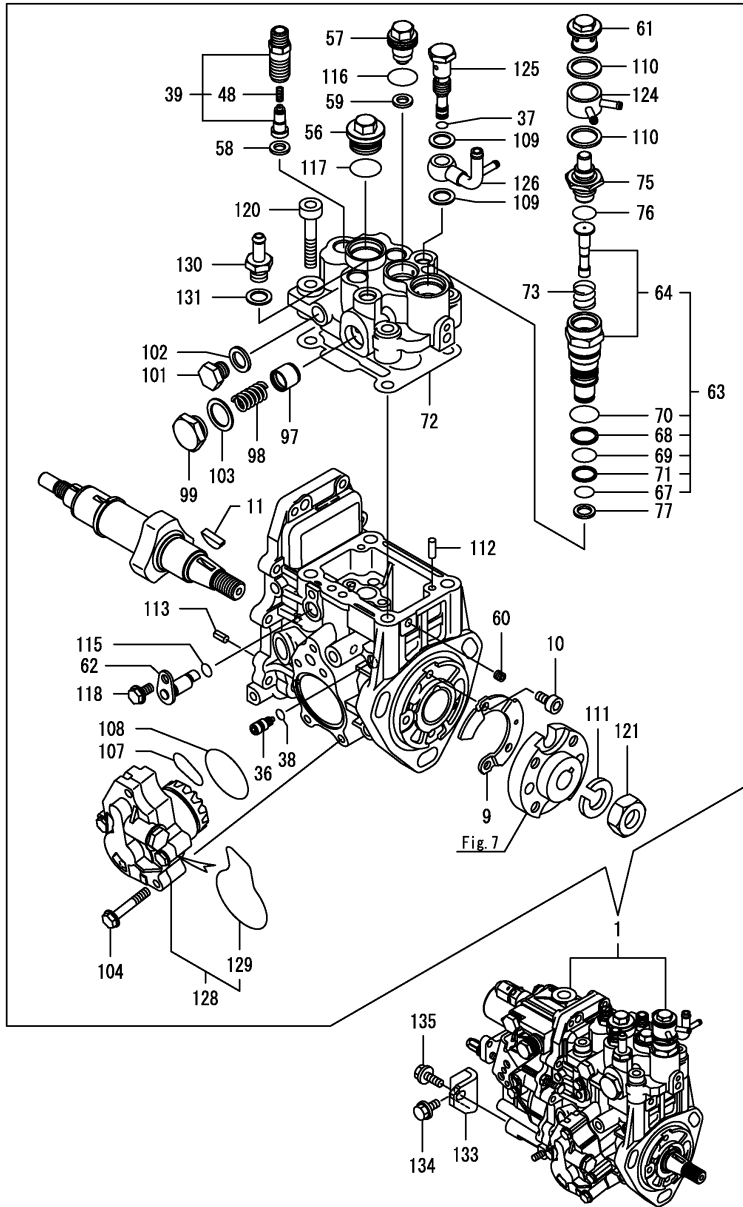
No.	Lev.	Parts No.	Description	Q'ty						I	R
				(A)	(B)	(C)	(D)	(E)	(F)		
1	1	729252-51320	FIE ASSY	1							1
9	2	129008-51900	COVER, PUMP	1							
10	2	129008-51920	BOLT, SOCKET M6X10	2							
11	2	119802-51090	FEATHER KEY, 4X16	1							
36	2	158600-51270	STOPPER, TAPPET	1							
37	2	158563-51281	O-RING, 4D S6	1							
38	2	158563-51281	O-RING, 4D S6	1							
39	2	129008-51390	VALVE ASSY, DELIVERY	3							
48	3	158563-51330	SPRING, DELIVERY	3							
56	2	158601-51550	PLUG, M22	1							
57	2	119802-51560	PLUG, M14	1							
58	2	158552-51571	GASKET, PLUG	3							
59	2	158552-51571	GASKET, PLUG	1							
60	2	158557-51570	PLUG, RACK	1							
61	2	158601-51570	PLUG	1							
62	2	158552-51580	LIFTER, LINK	1							
63	2	119802-51590	TIMER ASSY	1							
64	3	119802-51600	TIMER ASSY	1							
67	3	158553-51670	O-RING	1							
68	3	119802-51680	RING, BACKUP	1							
69	3	119802-51690	O-RING	1							
70	3	24356-190200	O-RING, 4D19020	1							
71	3	24372-000150	RING, BACK UP T2P15	1							
72	2	158552-51600	GASKET	1							
73	2	158553-51630	SPRING, TIMER	1							
75	2	158553-51650	THERMOELEMENT	1							
76	2	158553-51660	O-RING, P14	1							
77	2	158553-51680	GASKET, TIMER	1							
97	2	158601-51770	PISTON, ACCUMLATOR	1							
98	2	158552-51781	SPRING, ACCUMULATOR	1							
99	2	158601-51790	PLUG	1							
101	2	158553-51930	PLUG, M12	1							
102	2	22190-120002	WASHER, SEAL 12	1							
103	2	22190-180002	WASHER, SEAL 18	1							
104	2	158553-51770	BOLT	4							
107	2	158552-52311	O-RING	1							
108	2	158552-52400	O-RING, 4E S42	1							
109	2	22190-120002	WASHER, SEAL 12	2							
110	2	22190-180002	WASHER, SEAL 18	2							
111	2	22217-140000	WASHER, SPRING 14	1							
112	2	22312-050140	PIN, PARALLEL 5X14	2							
113	2	22351-050010	PIN, SPRING 5.0X10	2							
115	2	24311-000070	O-RING, 1AP7.0	1							
116	2	24356-190180	O-RING, 4D19018	1							
117	2	24356-190200	O-RING, 4D19020	1							
118	2	26106-060102	BOLT, M6X 10 PLATED	1							
120	2	26450-080452	BOLT, M8X 45	4							
121	2	26776-140002	NUT, LOCK M14	1							
124	2	158553-51551	JOINT, COOLING WATER	1							
125	2	158601-51650	JOINT, OVER FLOW	1							
126	2	158552-51670	JOINT, OVER FLOW	1							

Remarks

(1)Governor(Fig.12) is incorporated in this Fuel Injection Pump(No.1).

(A)=3TNV88-BPWN
 (B)=
 (C)=

(D)=
 (E)=
 (F)=



No.	Lev.	Parts No.	Description	Q'ty						I	R
				(A)	(B)	(C)	(D)	(E)	(F)		
128	2	158552-52100	PUMP ASSY, FUEL FEED	1							
129	3	158552-52500	O-RING	1							
130	2	119934-59910	JOINT, PIPE	1							
131	2	22190-120002	WASHER, SEAL 12	1							
133	1	119802-51250	RETAINER, PUMP	1							
134	1	26106-080162	BOLT, M8X 16 PLATED	1							
135	1	26106-080202	BOLT, M8X 20 PLATED	1							

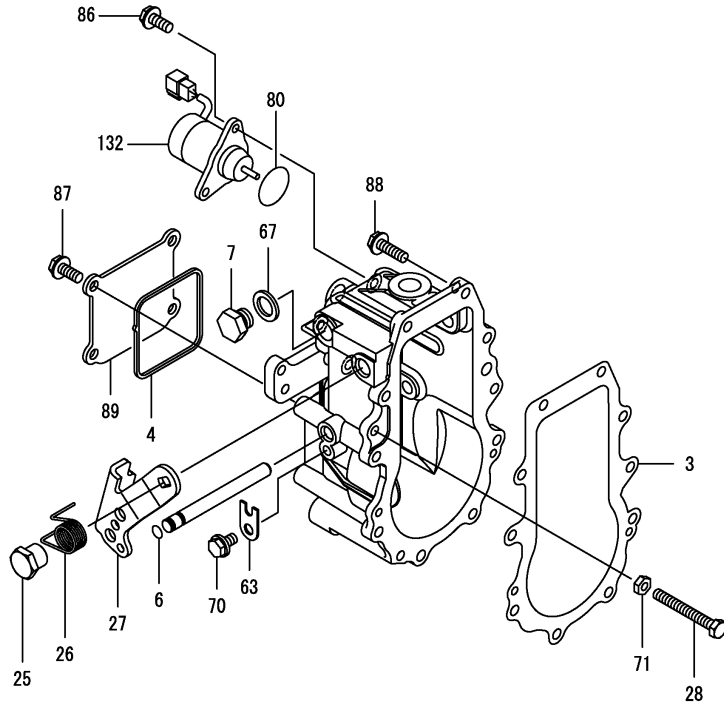
Remarks

(1)Governor(Fig.12) is incorporated in this Fuel Injection Pump(No.1).

(A)=3TNV88-BPWN
(B)=
(C)=

(D)=
(E)=
(F)=

No.	Lev.	Parts No.	Description	Q'ty						I	R
				(A)	(B)	(C)	(D)	(E)	(F)		
3	2	158553-61050	GASKET	1							
4	2	158553-61070	GASKET	1							
6	2	129155-51280	O-RING, S6	1							
7	2	158553-51930	PLUG, M12	1							
25	2	129255-61410	NUT, M8	1							
26	2	119807-61420	SPRING, RETURN	1							
27	2	158552-61441	LEVER, REGULATOR	1							
28	2	129155-61461	BOLT, IDLE LIMIT	1							
63	2	119660-61901	STOPPER, SHAFT	1							
67	2	22190-120002	WASHER, SEAL 12	1							
70	2	26106-060102	BOLT, M6X 10 PLATED	1							
71	2	119740-61470	NUT	1							
80	2	158552-61900	O-RING	1							
86	2	26106-060142	BOLT, M6X 14 PLATED	2							
87	2	26106-060142	BOLT, M6X 14 PLATED	4							
88	2	26106-060202	BOLT, M6X 20 PLATED	10							
89	2	129642-61060	COVER, GOVERNOR CASE	1							
132	2	129630-77900	SOLENOID, STOP	1							

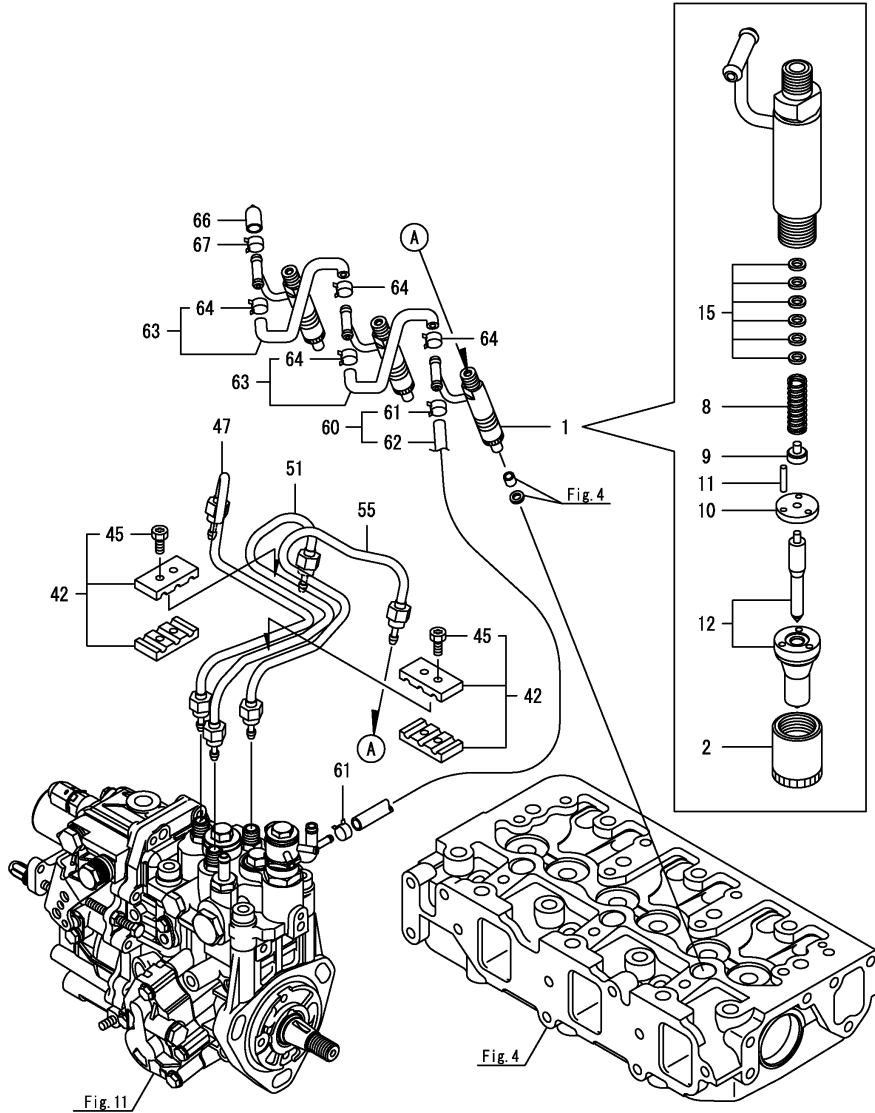


Remarks

* This figure(Governor) is incorporated in the Fuel Injection Pump(Fig.11).

(A)=3TNV88-BPWN
(B)=
(C)=

(D)=
(E)=
(F)=

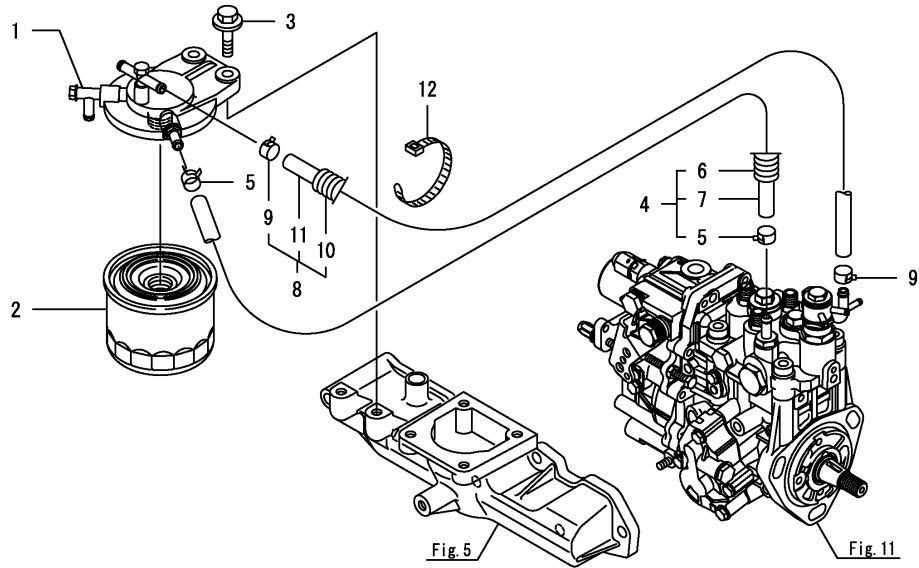


No.	Lev.	Parts No.	Description	Q'ty						I	R
				(A)	(B)	(C)	(D)	(E)	(F)		
1	1	729604-53100	FUEL INJECTOR ASSY	3							
2	2	114250-53080	NUT, NOZZLE	3							
8	2	114250-53120	SPRING, NOZZLE	3							
9	2	114250-53130	SEAT, SPRING	3							
10	2	114250-53140	SPACER	3							
11	2	114250-53210	PIN	6							
12	2	129604-53000	NOZZLE ASSY, F.I.	3							
15	2	119803-53400	SHIM SET	3							1
42	1	129150-59120	RETAINER, PIPE	2							
45	2	129150-59131	BOLT, M4X14	4							
47	1	129004-59811	PIPE ASSY, INJECTION	1							
51	1	129004-59821	PIPE ASSY, INJECTION	1							
55	1	129004-59831	PIPE ASSY, INJECTION	1							
60	1	119802-59550	HOSE ASSY, RETURN	1							
61	2	124722-59050	CLAMP, HOSE 9	2							
62	2	119802-59560	HOSE, FUEL RETURN	1							
63	1	129486-59551	HOSE ASSY, RETURN	2							
64	2	124722-59050	CLAMP, HOSE 9	4							
66	1	119593-59581	CAP	1							
67	1	124060-77680	CLAMP, HOSE 10	1							

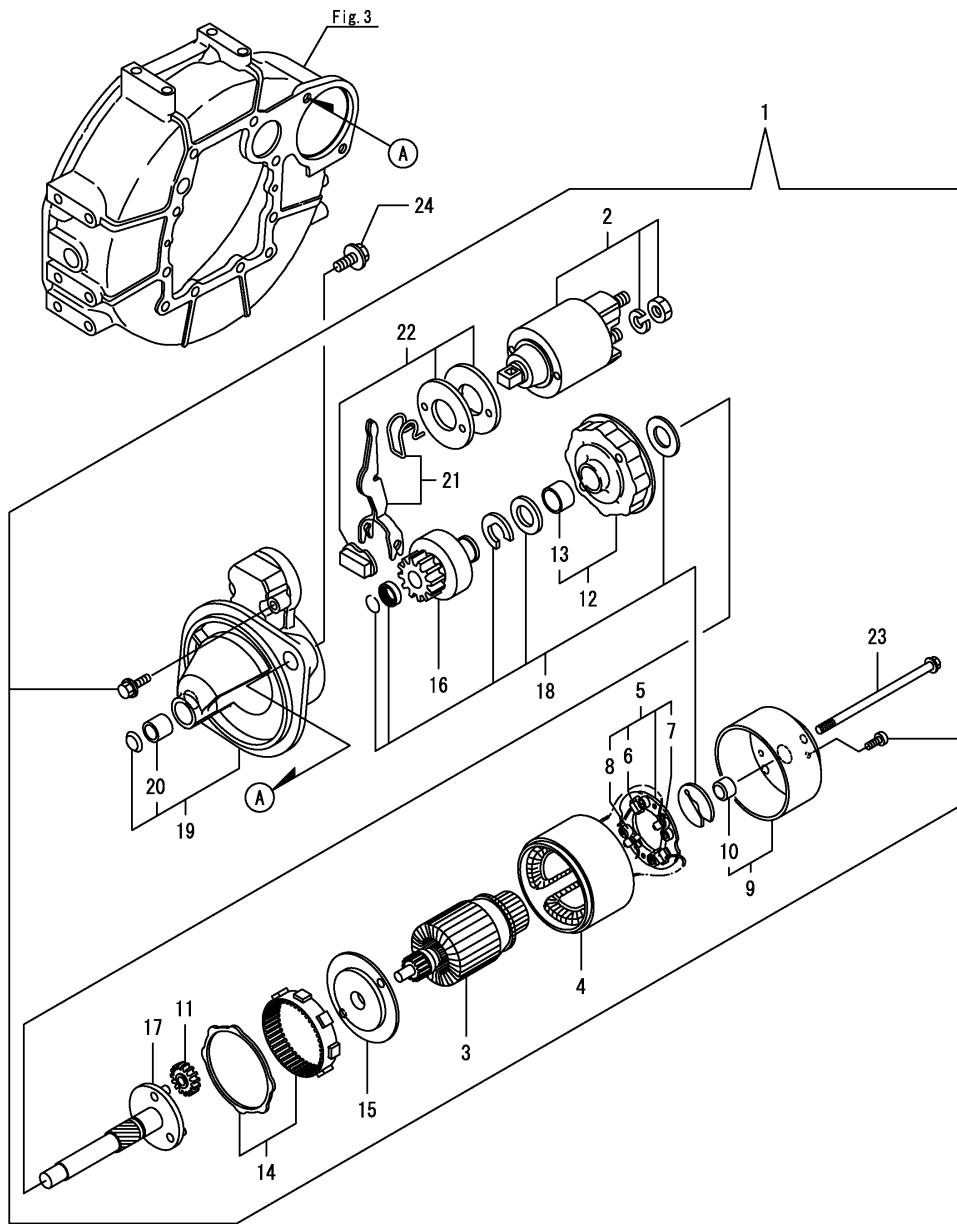
Remarks
(1) Spare parts.

(A)=3TNV88-BPWN
(B)=
(C)=

(D)=
(E)=
(F)=



No.	Lev.	Parts No.	Description	Q'ty						I	R
				(A)	(B)	(C)	(D)	(E)	(F)		
1	1	129004-55612	BRACKET, FILTER	1							
2	1	119802-55801	FILTER, FUEL	1							
3	1	26106-080302	BOLT, M8X 30 PLATED	2							
4	1	129044-59010	HOSE ASSY, D13XL220	1							
5	2	124766-59050	CLAMP, HOSE 11.5	2							
6	2	129044-59100	TUBE, CORRUGATED 15	1							
7	2	129044-59510	HOSE, FUEL L=220	1							
8	1	129950-59311	HOSE ASSY, FUEL	1							
9	2	124766-59050	CLAMP, HOSE 11.5	2							
10	2	129961-59110	TUBE, CORRUGATED 15	1							
11	2	105025-59580	HOSE, FUEL	1							
12	1	121750-59890	BAND, NYLON	1							

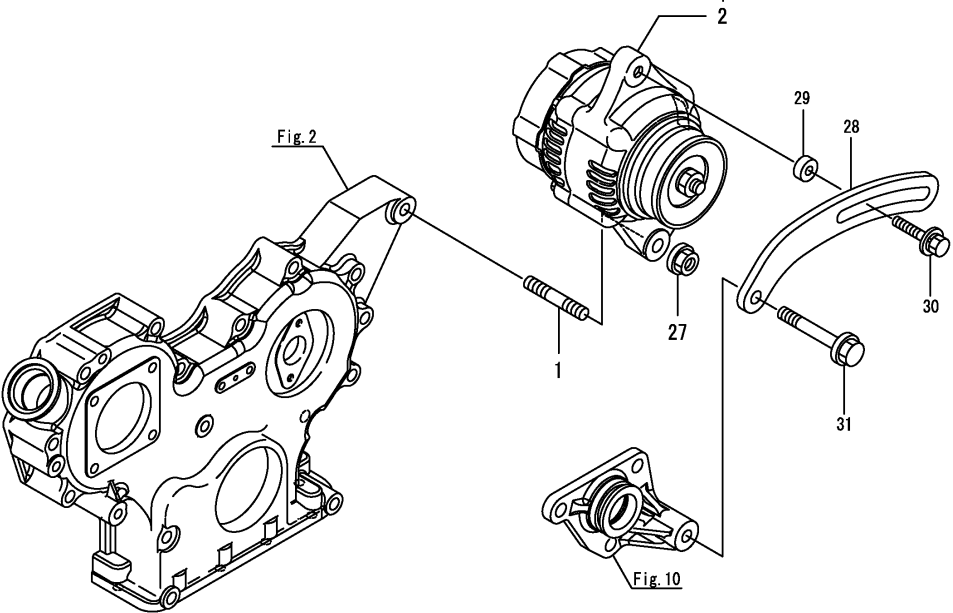
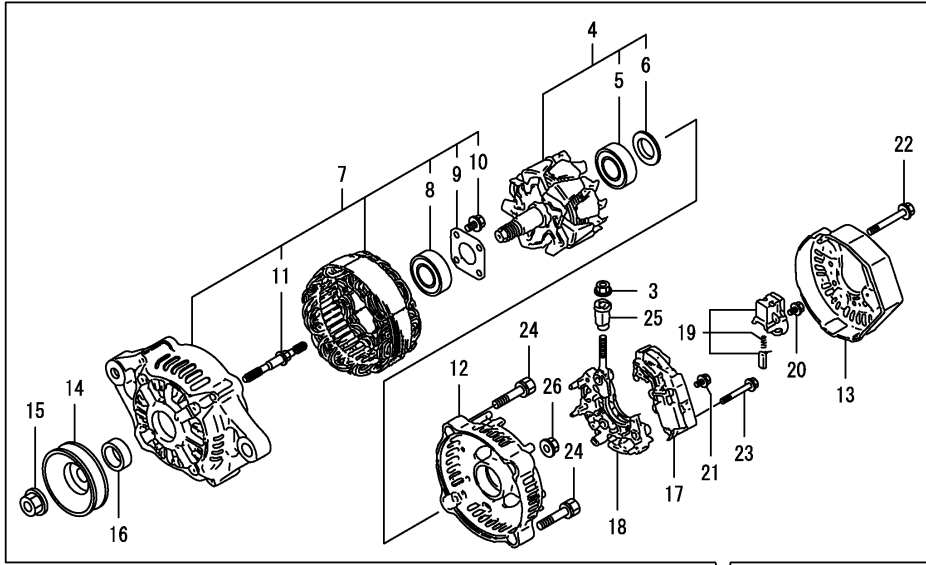

 (A)=3TNV88-BPWN
 (B)=
 (C)=

 (D)=
 (E)=
 (F)=

No.	Lev.	Parts No.	Description	Q'ty						I	R
				(A)	(B)	(C)	(D)	(E)	(F)		
1	1	129242-77010	STARTER ASSY	1							
2	2	129698-77020	SWITCH ASSY, MAGNET	1							
3	2	129242-77100	ARMATURE ASSY	1							
4	2	129242-77110	YOKE ASSY	1							
5	2	129242-77120	HOLDER ASSY, BRUSH	1							
6	3	129242-77130	BRUSH	2							
7	3	129242-77140	BRUSH SET	1							
8	3	129242-77150	SPRING, BRUSH	4							
9	2	129242-77160	COVER ASSY	1							
10	3	129242-77170	BEARING, COVER	1							
11	2	118400-77170	GEAR, PLANETARY	3							
12	2	129242-77180	BRACKET, CENTER	1							
13	3	129698-77190	BRACKET, CENTER	1							
14	2	129698-77200	GEAR, INTERNAL	1							
15	2	129242-77210	BRACKET, CENTER	1							
16	2	129698-77220	PINION ASSY	1							
17	2	129698-77230	SHAFT, PINION	1							
18	2	129698-77250	WASHER SET	1							
19	2	129242-77260	CASE ASSY, GEAR	1							
20	3	X2114535200	BEARING, STARTER	1							
21	2	129242-77270	LEVER SET	1							
22	2	129242-77280	COVER KIT, DUST	1							
23	2	124195-77770	BOLT, THROUGH	2							
24	1	26106-120252	BOLT, M12X 25 PLATED	2							

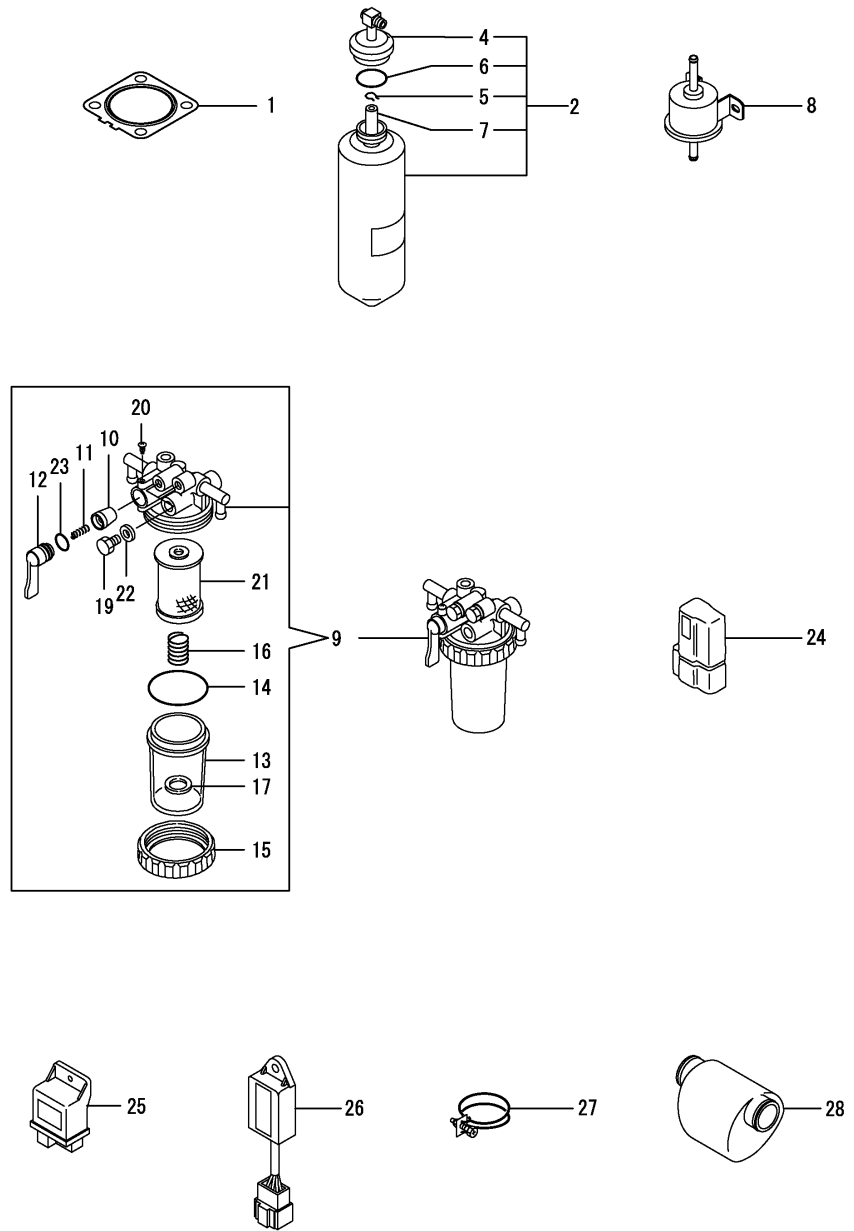
(A)=3TNV88-BPWN
(B)=
(C)=

(D)=
(E)=
(F)=



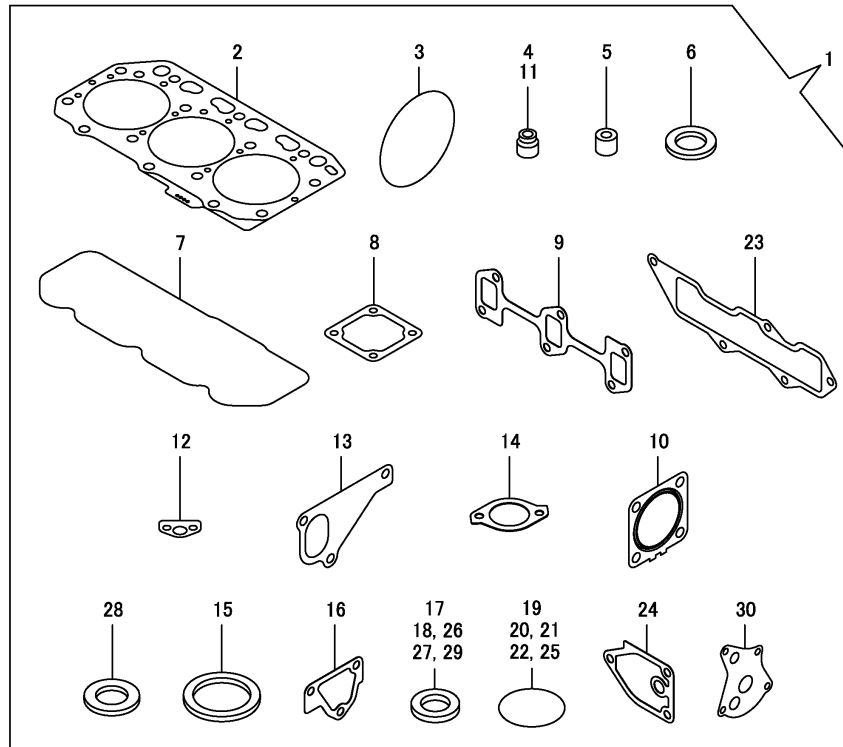
No.	Lev.	Parts No.	Description	Q'ty						I	R
				(A)	(B)	(C)	(D)	(E)	(F)		
1	1	129795-01900	BOLT, STUD M10X33	1							
2	1	119626-77220	ALTERNATOR, 12V-55A	1							
3	2	X9490561001	NUT	1							
4	2	129052-77380	ROTOR ASSY	1							
5	3	123501-79240	BEARING, BALL	1							
6	3	119620-79250	COVER, BEARING	1							
7	2	129052-77422	FRAME ASSY	1							
8	3	119620-79200	BEARING, BALL	1							
9	3	119620-79210	RETAINER	1							
10	3	119620-79220	SCREW	4							
11	3	119620-79230	BOLT, STUD	2							
12	2	128401-77440	FRAME	1							
13	2	119626-77450	COVER	1							
14	2	119620-77461	PULLEY, GENERATOR	1							
15	2	119620-77471	NUT	1							
16	2	119620-77490	COLLAR	1							
17	2	129423-77720	REGULATOR ASSY	1							
18	2	129052-79260	HOLDER	1							
19	2	129052-79270	HOLDER, BRUSH	1							
20	2	119620-79290	SCREW	6							
21	2	119620-79300	SCREW	1							
22	2	119620-79310	BOLT	3							
23	2	119620-79320	SCREW	2							
24	2	119620-79330	BOLT	2							
25	2	119620-79340	BUSH, INSULATION	1							
26	2	119620-79350	NUT	2							
27	1	26306-100002	NUT, M10	1							
28	1	119802-77330	ADJUSTER, BELT	1							
29	1	119940-77270	SPACER	1							
30	1	129972-77341	BOLT, ADJUST L=50	1							
31	1	26106-080452	BOLT, M8X 45 PLATED	1							

(A)=3TNV88-BPWN
 (B)=
 (C)=

 (D)=
 (E)=
 (F)=


No.	Lev.	Parts No.	Description	Q'ty						I	R
				(A)	(B)	(C)	(D)	(E)	(F)		
1	1	129004-13200	GASKET, SILENCER	1							
2	1	171064-44510	TANK ASSY, SUB	1							
4	2	121450-44531	CAP	1							
5	2	124450-44560	CLAMP, PIPE	1							
6	2	121470-44581	GASKET	1							
7	2	23065-070225	HOSE 7X 225	1							
8	1	129612-52100	PUMP, FUEL FEED	1							
9	1	129335-55701	SEPARATOR ASSY,WATER	1							
10	2	104200-55321	VALVE, TAPER	1							
11	2	104200-55330	SPRING, FUEL VALVE	1							
12	2	104200-55341	HANDLE, COCK	1							
13	2	124064-55510	CUP, FUEL STARINER	1							
14	2	102103-55520	O-RING, FILTER	1							
15	2	110250-55610	RING, CUP RETAINING	1							
16	2	121257-55720	SPRING, ELEMENT	1							
17	2	121257-55731	FLOAT	1							
19	2	101720-55750	PLUG, HEXAGON M6	2							
20	2	104200-55750	SCREW, M4	1							
21	2	171081-55910	FILTER, FUEL 100M	1							
22	2	23418-060000	GASKET, 6X1.0	2							
23	2	24311-240100	O-RING, 1AP10A	1							
24	1	119643-66900	DIODE	1							
25	1	119802-77200	RELAY, SAFETY	1							
26	1	129211-77920	TIMER, SECTION 1	1							
27	1	23010-038000	CLAMP, 38	4							
28	1	121855-12060	SILENCER, INTAKE	1							W
(A=E157602)											

(A)=3TNV88-BPWN
 (B)=
 (C)=

 (D)=
 (E)=
 (F)=


No.	Lev.	Parts No.	Description	Q'ty						I	R
				(A)	(B)	(C)	(D)	(E)	(F)		
1	1	729004-92610	GASKET SET	1							1
2	2	129001-01340	GASKET, HEAD	1							
3	2	121850-51960	O-RING	1							
4	2	124460-11340	SEAL, VALVE STEM	3							
5	2	119802-11870	PROTECTOR, NOZZLE	3							
6	2	119625-11880	SEAT, NOZZLE	3							
7	2	129004-11310	GASKET, BONNET	1							
8	2	129150-77511	GASKET, AIR HEATER	1							
9	2	129150-13110	GASKET, EXH.MANIFOLD	1							
10	2	129004-13200	GASKET, SILENCER	1							
11	2	121400-11340	SEAL, VALVE STEM	3							
12	2	129150-35042	GASKET	1							
13	2	129486-42021	GASKET, WATER PUMP	1							
14	2	129795-49551	GASKET	1							
15	2	129150-49811	GASKET, THERMOSTAT	1							
16	2	124395-49840	GASKET, THERMOSTAT	1							
17	2	22190-080002	WASHER, SEAL 8	2							
18	2	22190-160000	WASHER, SEAL 16	2							
19	2	24311-000120	O-RING, 1AP12.0	3							
20	2	24311-000320	O-RING, 1AP32.0	2							
21	2	24341-000240	O-RING, 1AS24.0	1							
22	2	129486-42140	O-RING, G30	1							
23	2	129001-12110	GASKET, MANIFOLD	1							
24	2	129150-35111	GASKET	1							
25	2	119609-32040	O-RING, P16	2							
26	2	22190-100002	WASHER, SEAL 10	2							
27	2	22190-220002	WASHER, SEAL 22	2							
28	2	23414-080000	GASKET, 8X1.0	1							
29	2	129150-49360	GASKET	1							
30	2	129150-32020	GASKET, PUMP	1							

Remarks

(1)Optional parts.



Parts No. Index

Parts No.	Fig. No.	Ref. No.
101720-55750	17	19
102103-55520	17	14
104200-55321	17	10
104200-55330	17	11
104200-55341	17	12
104200-55750	17	20
105025-59580	14	11
110250-55610	17	15
114250-53080	13	2
114250-53120	13	8
114250-53130	13	9
114250-53140	13	10
114250-53210	13	11
118400-77170	15	11
119005-35151	9	35
119131-18320	6	5
119593-59581	13	66
119609-32040	2	9
	18	25
119620-01750	3	3
119620-49290	10	32
119620-77461	16	14
119620-77471	16	15
119620-77490	16	16
119620-79200	16	8
119620-79210	16	9
119620-79220	16	10
119620-79230	16	11
119620-79250	16	6
119620-79290	16	20
119620-79300	16	21
119620-79310	16	22
119620-79320	16	23
119620-79330	16	24
119620-79340	16	25
119620-79350	16	26
119625-11880	4	28
	18	6
119626-77220	16	2
119626-77450	16	13
119640-01640	3	8
119643-66900	17	24
119660-61901	12	63
119740-61470	12	71
119802-01561	2	5
119802-03070	4	37 A
119802-03110	4	39
119802-03121	4	40
119802-03130	4	41
119802-03141	4	42

Parts No.	Fig. No.	Ref. No.
119802-11260	4	4
119802-11270	4	5
119802-11280	4	6
119802-11870	4	27
	18	5
119802-25071	7	16
119802-25101	7	10
119802-25901	7	15
119802-35100	9	20
119802-39450	9	28
119802-49113	10	9
119802-49730	10	37
119802-51090	11	11
119802-51250	11	133
119802-51560	11	57
119802-51590	11	63
119802-51600	11	64
119802-51680	11	68
119802-51690	11	69
119802-55801	14	2
119802-59550	13	60
119802-59560	13	62
119802-77200	17	25
119802-77330	16	28
119803-01520	2	4
119803-21200	8	4
119803-25050	7	9
119803-53400	13	15
119807-61420	12	26
119865-21600	8	14
119934-01800	2	3
119934-59910	11	130
119940-77270	16	29
120130-11860	4	54
120270-54410	4	30
121023-01551	2	19
121111-21501	8	11
121252-39450	9	26
121257-55720	17	16
121257-55731	17	17
121400-11340	4	23
	18	11
121450-42450	10	33
121450-44531	17	4
121470-44581	17	6
121520-34810	9	16
121550-23200	8	29
121750-59890	14	12
121850-21680	8	10
121850-51960	2	10

Parts No.	Fig. No.	Ref. No.
121850-51960	18	3
121855-12060	17	28
123501-79240	16	5
123900-13610	6	3
123900-13630	6	4
124060-01050	1	4
124060-77680	13	67
124064-55510	17	13
124160-01751	2	6
	4	35
124160-01910	1	6
	1	7
124160-11360	4	47
124160-39140	9	27
124195-77770	15	23
124240-01871	2	7
124250-49351	10	42
124395-49840	10	17
	18	16
124450-44560	17	5
124460-11340	4	24
	18	4
124465-44950	10	34
124722-59050	10	38
		41
	13	61
		64
124766-59050	14	5
		9
128401-77440	16	12
129001-01250	1	5
129001-01340	1	28
	18	2
129001-02931	1	29
129001-12110	5	4
	18	23
129001-32002	9	1
129004-03010	4	37
129004-11241	4	1
129004-11251	4	2
129004-11310	4	44
	18	7
129004-11350	4	36
129004-11650	4	8
129004-11900	4	29
129004-13109	6	1
129004-13200	6	7
	17	1
	18	10
129004-13550	6	8

Parts No.	Fig. No.	Ref. No.
129004-21650	8	8
129004-34802	9	15
129004-42001	10	1
129004-42040	10	15
129004-49610	10	35
129004-49620	10	39
129004-49711	10	36
129004-49721	10	40
129004-55612	14	1
129004-59811	13	47
129004-59821	13	51
129004-59831	13	55
129005-03080	5	1
129005-11100	4	19
129005-12101	5	3
129005-22080	8	15
129005-22500	8	17
129005-22900	8	35
129005-22950	8	37
129005-59830	9	29
129008-11700	4	13
129008-21000	8	1
129008-51390	11	39
129008-51900	11	9
129008-51920	11	10
129008-77800	4	52
129008-77820	4	53
129030-21590	8	12
129030-44760	10	25
129044-59010	14	4
129044-59100	14	6
129044-59510	14	7
129052-77380	16	4
129052-77422	16	7
129052-79260	16	18
129052-79270	16	19
129100-01580	3	1
		15
	8	2
129100-01730	3	6
129100-11112	4	20
129100-23910	8	32
129100-35140	9	22
129100-35301	9	18
129100-42051	10	3
129100-42121	10	4
129129-14580	7	3
129136-01780	3	7
129150-01200	1	27
129150-02020	1	9



Parts No. Index

Parts No.	Fig. No.	Ref. No.
129150-02450	7	4
129150-02871	1	32
129150-02931	1	24
129150-02941	1	35
129150-03070	4	38
129150-11230	4	9
129150-11280	4	7
129150-11370	4	12
129150-11750	4	11
129150-11810	4	55
129150-13110	6	2
	18	9
129150-14101	7	6
129150-14200	7	1
129150-14400	7	2
129150-23601	8	30
129150-23611	8	33
129150-25301	7	14
129150-32020	9	13
	18	30
129150-35042	9	17
	18	12
129150-35111	9	23
	18	24
129150-49360	10	43
	18	29
129150-49811	10	28
	18	15
129150-59120	13	42
129150-59131	13	45
129150-77511	5	8
	18	8
129155-51280	12	6
129155-61461	12	28
129202-22300	8	23
129211-77920	17	26
129236-03120	4	40 -1
129236-11350	4	36 -1
129242-77010	15	1
129242-77100	15	3
129242-77110	15	4
129242-77120	15	5
129242-77130	15	6
129242-77140	15	7
129242-77150	15	8
129242-77160	15	9
129242-77170	15	10
129242-77180	15	12
129242-77210	15	15
129242-77260	15	19

Parts No.	Fig. No.	Ref. No.
129242-77270	15	21
129242-77280	15	22
129255-61410	12	25
129335-55701	17	9
129350-49530	10	29
129403-42380	10	23
129410-03990	5	2
129423-77720	16	17
129457-49801	10	27
129486-01670	3	19
129486-12581	5	7
129486-42021	10	14
	18	13
129486-42140	10	16
	18	22
129486-59551	13	63
129604-53000	13	12
129612-01600	3	2
129612-52100	17	8
129630-77900	12	132
129642-61060	12	89
129648-01600	3	16
129648-01780	3	18
129698-77020	15	2
129698-77190	15	13
129698-77200	15	14
129698-77220	15	16
129698-77230	15	17
129698-77250	15	18
129795-01900	16	1
129795-01950	2	8
129795-02412	1	12
129795-11120	4	21
129795-11180	4	22
129795-21661	8	9
129795-49551	10	30
	18	14
129900-07900	4	50
129916-49740	10	10
129950-59311	14	8
129961-59110	14	10
129972-77341	16	30
158552-51151	7	17
158552-51571	11	58
		59
158552-51580	11	62
158552-51600	11	72
158552-51670	11	126
158552-51781	11	98
158552-52100	11	128

Parts No.	Fig. No.	Ref. No.
158552-52311	11	107
158552-52400	11	108
158552-52500	11	129
158552-61441	12	27
158552-61900	12	80
158553-51551	11	124
158553-51630	11	73
158553-51650	11	75
158553-51660	11	76
158553-51670	11	67
158553-51680	11	77
158553-51770	11	104
158553-51930	11	101
	12	7
158553-61050	12	3
158553-61070	12	4
158557-51570	11	60
158563-51281	11	37
		38
158563-51330	11	48
158600-51270	11	36
158601-51550	11	56
158601-51570	11	61
158601-51650	11	125
158601-51770	11	97
158601-51790	11	99
171051-01921	1	8
171064-44510	17	2
171081-55910	17	21
22190-080002	2	11
	9	30
		32
	18	17
22190-100002	9	33
	18	26
22190-120002	11	102
		109
		131
	12	67
22190-160000	18	18
22190-180002	11	103
		110
22190-220002	3	10
	18	27
22217-140000	11	111
22252-000260	8	24
22312-050140	11	112
22351-030010	8	7
22351-050010	11	113
22351-060012	4	31

Parts No.	Fig. No.	Ref. No.
22512-070140	7	7
	8	5
22857-500100	4	45
		46
23010-038000	17	27
23065-070225	17	7
23414-080000	10	18
	18	28
23418-060000	17	22
23857-030000	9	31
23875-020000	10	11
23876-010000	10	12
24311-000070	11	115
24311-000120	4	48
	18	19
24311-000320	2	12
	4	49
	18	20
24311-240100	17	23
24341-000240	2	20
	18	21
24356-190180	11	116
24356-190200	11	70
		117
24372-000150	11	71
25152-003800	10	24
26106-060102	11	118
	12	70
26106-060122	10	44
26106-060142	12	86
		87
26106-060162	2	21
26106-060202	12	88
26106-060602	10	26
26106-080122	10	19
26106-080142	7	8
26106-080162	2	13
		14
	3	11
	4	51
	10	20
	11	134
26106-080202	5	5
		9
	9	25
	11	135
26106-080222	10	31
26106-080252	3	12
	4	32
	6	9



Parts No. Index

Parts No.	Fig. No.	Ref. No.
26106-080302	2	15
	14	3
26106-080352	3	20
	4	33
	9	19
26106-080402	7	13
26106-080452	3	13
	10	21
	16	31
26106-080502	3	14
	4	34
26106-080552	2	16
26106-080602	10	22
26106-080802	5	6
26106-080852	2	17
26106-120252	15	24
26206-100252	3	4
26206-100302	3	5
26306-080002	2	18
	6	6
		10
26306-100002	16	27
26366-060002	9	34
26450-060252	9	14
26450-080452	11	120
26577-060142	10	13
26776-140002	11	121
27241-120000	1	13
27241-300000	1	14
27241-400000	4	18
27310-080001	4	25
719803-01500	2	1
729004-92610	18	1
729005-01560	1	1
729252-51320	11	1
729402-23100	8	25
729604-53100	13	1
X2114535200	15	20
X9490561001	16	3

Parts No.	Fig. No.	Ref. No.
-----------	----------	----------

Parts No.	Fig. No.	Ref. No.
-----------	----------	----------

Parts No.	Fig. No.	Ref. No.
-----------	----------	----------