

0CW10-M39800EN

P R E F A C E

1. This Parts Catalog carries all parts incorporated in YANMAR Model 3TNV88-BDYE2, 3TNV88-BDYE2D, 3TNV88-BDYE2T engine manufactured since September, 2008.
2. Each illustration corresponds to the parts list on the following page.
3. When ordering parts, clearly write down the engine model and serial number, as well as the name and number of each part in your order sheet. This will help insure reliable delivery of the parts you have ordered.



Fig. No. Fig. Name

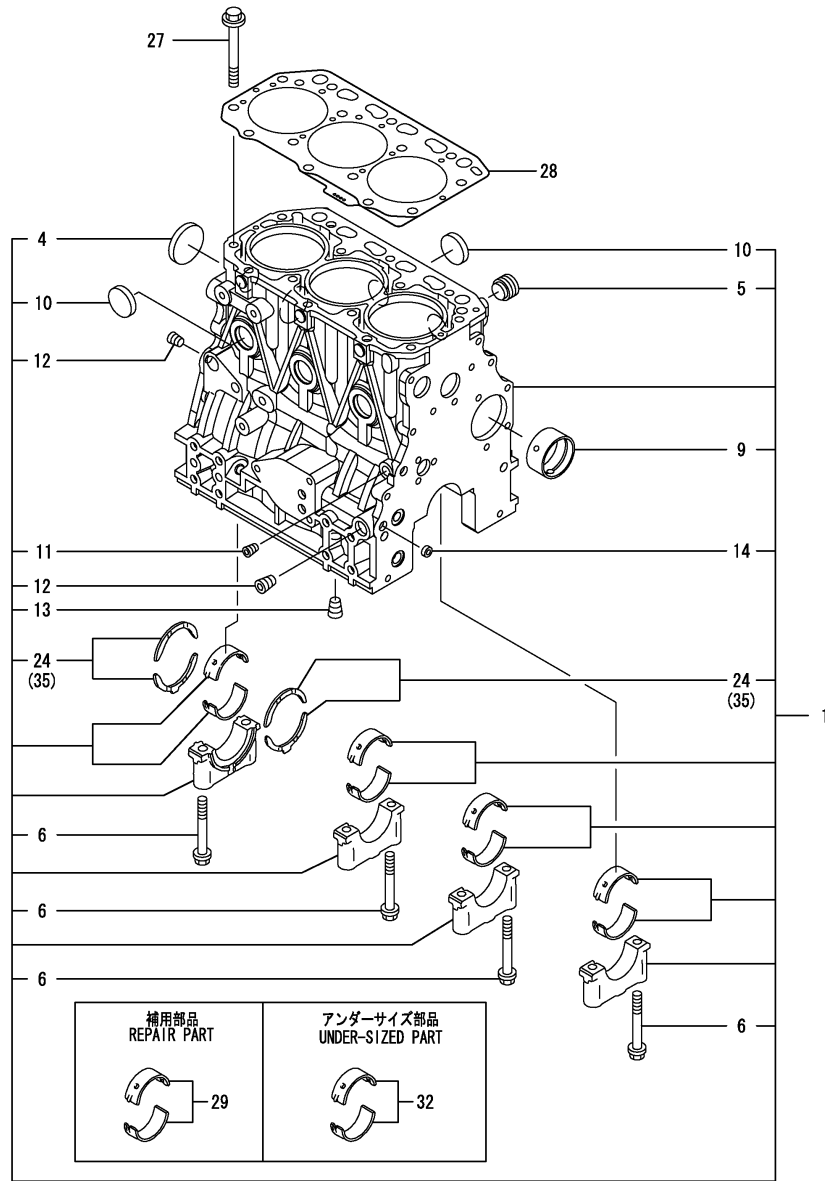
Fig. No. Fig. Name

ENGINE

1. CYLINDER BLOCK
2. GEAR HOUSING
3. FLYWHEEL HOUSING & OIL SUMP
4. CYLINDER HEAD & BONNET
5. SUCTION MANIFOLD & AIR CLEANER
6. EXHAUST MANIFOLD & SILENCER
7. CAMSHAFT & DRIVING GEAR
8. CRANKSHAFT & PISTON
9. LUB. OIL SYSTEM
10. COOLING WATER SYSTEM
11. RADIATOR
12. FUEL INJECTION PUMP
13. GOVERNOR
14. FUEL INJECTION VALVE
15. FUEL PIPE
16. STARTER MOTOR
17. GENERATOR
18. GENERATOR
19. GASKET SET



(A)=3TNV88-BDYE2
 (B)=3TNV88-BDYE2D
 (C)=3TNV88-BDYE2T

 (D)=
 (E)=
 (F)=


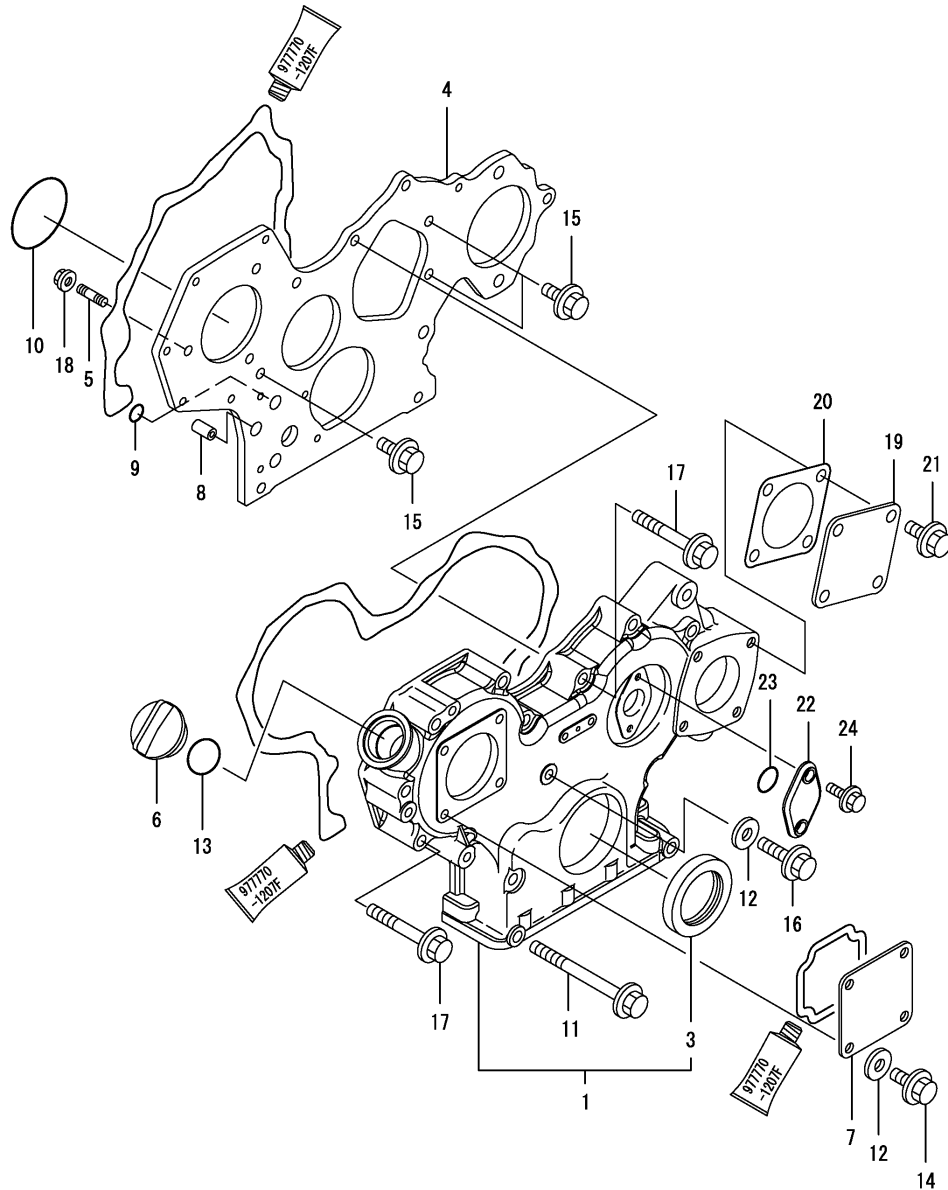
No.	Lev.	Parts No.	Description	Q'ty						I	R
				(A)	(B)	(C)	(D)	(E)	(F)		
1	1	729005-01560	BLOCK ASSY, CYLINDER	1	1						
4	2	129001-01250	PLUG, 50	1	1						
5	2	171051-01921	PLUG, NPTF1	1	1						
6	2	129150-02020	BOLT, METAL CAP	8	8						
9	2	129795-02412	BUSH, CAMSHAFT	1	1						
10	2	27241-300000	PLUG 30	6	6						
11	2	124060-01050	PLUG, PT1/8	1	1						
12	2	124160-01910	PLUG, PT1/4	2	2						
13	2	124160-01910	PLUG, PT1/4	1	1						
14	2	27241-120000	PLUG, 12	2	2						
24	2	129150-02931	METAL ASSY, THRUST	2	2						
27	1	129150-01200	BOLT, CYLINDER HEAD	14	14						
28	1	129001-01340	GASKET, HEAD	1	1						
29	1	129001-02931	METAL ASSY, MAIN	4	4						1
32	1	129150-02871	METAL ASSY, MAIN .25	4	4						2
35	1	129150-02941	METAL ASSY, 0.25 OS	1	1						3

Remarks

- (1) Spare parts.
- (2) Under-sized (U.S.=0.25) parts.
- (3) Over-sized (O.S.=0.25) parts.

(A)=3TNV88-BDYE2
 (B)=3TNV88-BDYE2D
 (C)=3TNV88-BDYE2T

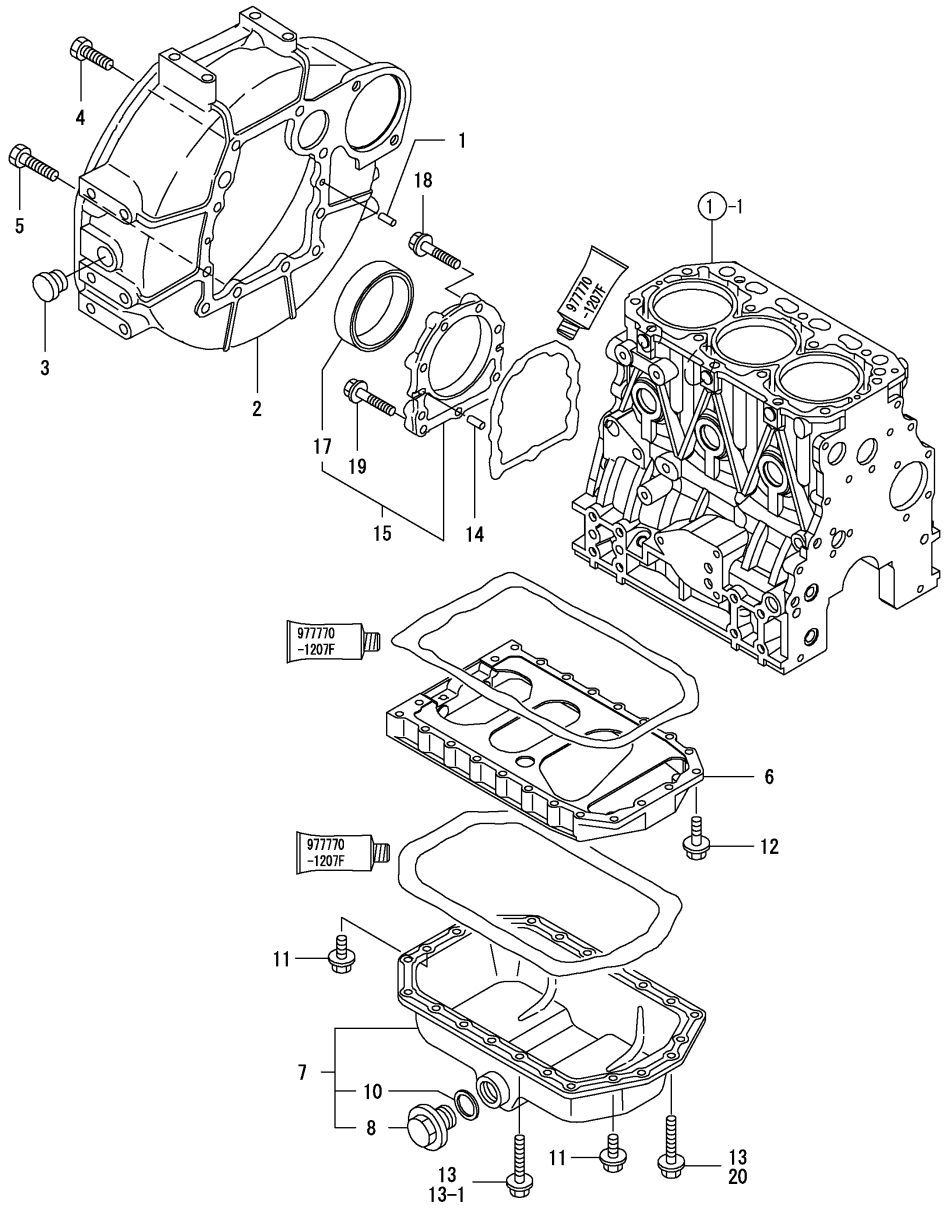
(D)=
 (E)=
 (F)=



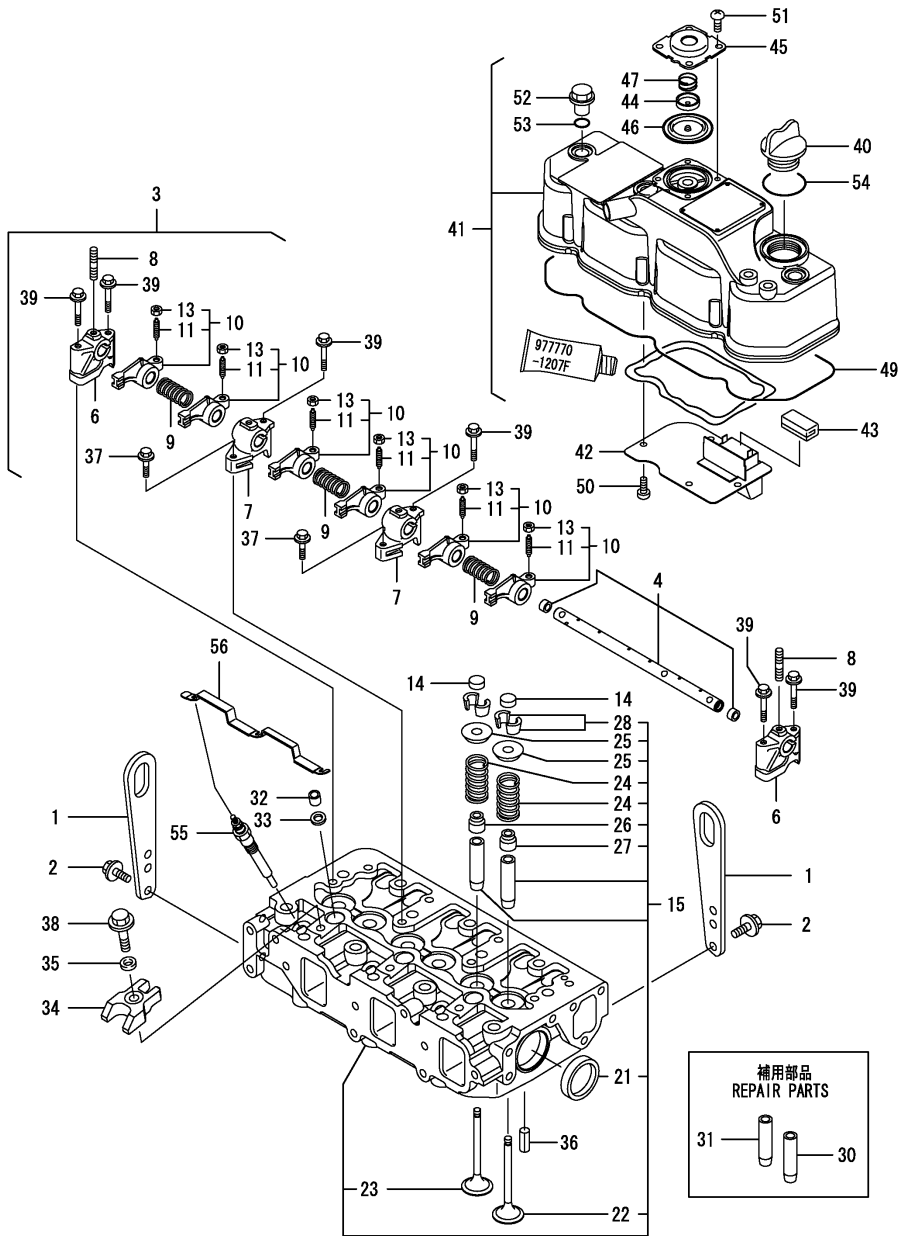
No.	Lev.	Parts No.	Description	Qty						I	R
				(A)	(B)	(C)	(D)	(E)	(F)		
1	1	729652-01500	CASE ASSY, GEAR	1		1					
3	2	119934-01800	SEAL, OIL	1		1					
4	1	129604-01520	FLANGE, GEAR CASE	1		1					
5	1	119802-01561	STUD, M8X25	3		3					
6	1	124160-01751	CAP, FILLER	1		1					
7	1	124240-01871	COVER, HYDRAULIC PUMP	1		1					
8	1	129795-01950	PIPE, KNOCK L=18	2		2					
9	1	119609-32040	O-RING, P16	2		2					
10	1	121850-51960	O-RING, FUEL PUMP	1		1					
11	1	129001-91841	BOLT, M8X87	3		3					
12	1	22190-080002	WASHER, SEAL 8	5		5					
13	1	24311-000320	O-RING, 1AP32.0	1		1					
14	1	26106-080162	BOLT, M8X 16 PLATED	4		4					
15	1	26106-080162	BOLT, M8X 16 PLATED	3		3					
16	1	26106-080302	BOLT, M8X 30 PLATED	1		1					
17	1	26106-080552	BOLT, M8X 55 PLATED	10		10					
18	1	26306-080002	NUT, M8	3		3					
19	1	124240-01871	COVER, HYDRAULIC PUMP	1		1					
20	1	124240-01883	GASKET, PUMP	1		1					
21	1	26106-080162	BOLT, M8X 16 PLATED	4		4					
22	1	121023-01551	COVER, TACHOMETER	1		1					
23	1	24341-000240	O-RING, 1AS24.0	1		1					
24	1	26106-060162	BOLT, M6X 16 PLATED	2		2					

(A)=3TNV88-BDYE2
 (B)=3TNV88-BDYE2D
 (C)=3TNV88-BDYE2T

(D)=
 (E)=
 (F)=



No.	Lev.	Parts No.	Description	Qty						I	R
				(A)	(B)	(C)	(D)	(E)	(F)		
1	1	129100-01580	PIN, PARALLEL 8X16	2		2					
2	1	129612-01600	HOUSING, FLYWHEEL	1		1					
3	1	119620-01750	CAP, WHEEL COVER	1		1					
4	1	26206-100252	BOLT, M10X 25 PLATED	6		6					
5	1	26206-100302	BOLT, M10X 30 PLATED	4		4					
6	1	129100-01730	SPACER, OIL PAN	1		1					
7	1	129175-01770	OIL PAN ASSY	1		1					
8	2	119640-01640	PLUG, DRAIN M22	1		1					
10	2	22190-220002	WASHER, SEAL 22	1		1					
11	1	26106-080162	BOLT, M8X 16 PLATED	4		4					
12	1	26106-080252	BOLT, M8X 25 PLATED	2		2					
13	1	26106-080452	BOLT, M8X 45 PLATED	20		20					
13-1	1	26106-080452	BOLT, M8X 45 PLATED	16		16					K
		(A=FROM 1ST)	(C=FROM 1ST)								
14	1	129100-01580	PIN, PARALLEL 8X16	2		2					
15	1	129100-01640	CASE ASSY, OIL SEAL	1		1					
17	2	129795-01780	SEAL, OIL	1		1					
18	1	129486-01670	BOLT, M8X30	6		6					
19	1	26106-080352	BOLT, M8X 35 PLATED	3		3					
20	1	26106-080502	BOLT, M8X 50 PLATED	4		4					W
		(A=FROM 1ST)	(C=FROM 1ST)								



(A)=3TNV88-BDYE2
 (B)=3TNV88-BDYE2D
 (C)=3TNV88-BDYE2T

(D)=
 (E)=
 (F)=

No.	Lev.	Parts No.	Description	Q'ty						I	R
				(A)	(B)	(C)	(D)	(E)	(F)		
1	1	129900-07900	LIFTER, ENGINE	2		2					
2	1	26106-080162	BOLT, M8X 16 PLATED	4		4					
3	1	129004-11241	SHAFT ASSY, ROCKER	1		1					
4	2	129004-11251	SHAFT, ROCKER ARM	1		1					
6	2	119802-11260	SUPPORT, ROCKER ARM	2		2					
7	2	119802-11270	SUPPORT, ROCKER ARM	2		2					
8	2	119802-11280	BOLT, STUD	3		3					
9	2	129150-11280	SPRING, SHAFT	3		3					
10	2	129004-11650	ARM ASSY, ROCKER	6		6					
11	3	129150-11230	SCREW, VALVE ADJUST	6		6					
13	3	129150-11750	NUT, M8XP1.0	6		6					
14	1	129150-11370	CAP, VALVE	6		6					
15	1	129008-11710	HEAD ASSY, CYLINDER	1		1					
21	2	27241-400000	PLUG, 40	2		2					
22	2	129005-11100	VALVE, INTAKE	3		3					
23	2	129100-11112	VALVE, EXHAUST	3		3					
24	2	129795-11120	SPRING, VALVE	6		6					
25	2	129795-11180	RETAINER, SPRING	6		6					
26	2	121400-11340	SEAL, VALVE STEM	3		3					
27	2	124460-11340	SEAL, VALVE STEM	3		3					
28	2	27310-080001	COTTER, 8	6		6					
30	1	120130-11860	GUIDE, VALVE	3		3					1
31	1	129150-11810	GUIDE, VALVE	3		3					1
32	1	119802-11870	PROTECTOR, NOZZLE	3		3					
33	1	119625-11880	SEAT, NOZZLE	3		3					
34	1	129004-11900	RETAINER, NOZZLE	3		3					
35	1	120270-54410	WASHER, INJECTOR	3		3					
36	1	22351-060012	PIN, SPRING 6.0X12	2		2					
37	1	26106-080252	BOLT, M8X 25 PLATED	2		2					
38	1	26106-080352	BOLT, M8X 35 PLATED	3		3					
39	1	26106-080502	BOLT, M8X 50 PLATED	6		6					
40	1	124160-01751	CAP, FILLER	1		1					
41	1	129004-11350	BONNET ASSY, HEAD	1		1					
42	2	129004-03010	PLATE, BAFFLE	1		1					
43	2	129150-03070	BAFFLE, BREATHER	1		1					
44	2	119802-03110	PLATE, DIAPHRAGM	1		1					
45	2	119802-03121	COVER, DIAPHRAGM	1		1					
46	2	119802-03130	DIAPHRAGM, BREATHER	1		1					
47	2	119802-03141	SPRING, DIAPHRAGM	1		1					
49	2	129004-11310	GASKET, BONNET	1		1					
50	2	22857-500100	SCREW, 5X10	4		4					
51	2	22857-500100	SCREW, 5X10	4		4					
52	1	124160-11360	KNOB, BONNET	3		3					
53	1	24311-000120	O-RING, 1AP12.0	3		3					
54	1	24311-000320	O-RING, 1AP32.0	1		1					
55	1	129008-77800	PLUG, GLOW	3		3					
56	1	129008-77820	CONNECTOR, GLOW PLUG	1		1					

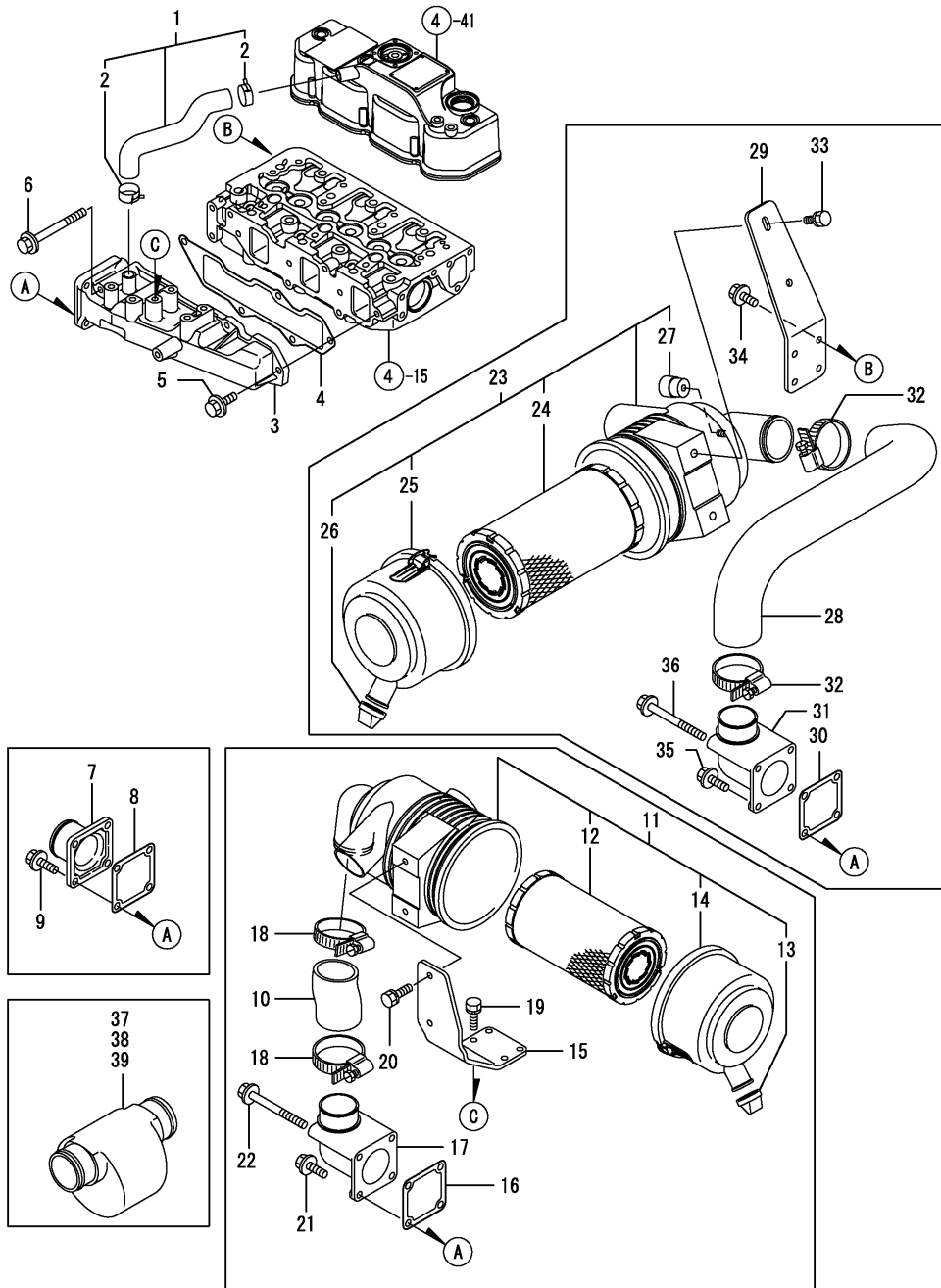
Remarks

(1) Spare parts.

N:Old $\xrightarrow{\text{Yes}}$ New, Q:Old $\xrightarrow{\text{No}}$ New, R:Old $\xrightarrow{\text{Yes}}$ New, S:Old $\xrightarrow{\text{No}}$ New, W:Add, Z:Discontinued, F:Interchangeable by set, K:Q'ty Change

(A)=3TNV88-BDYE2
 (B)=3TNV88-BDYE2D
 (C)=3TNV88-BDYE2T

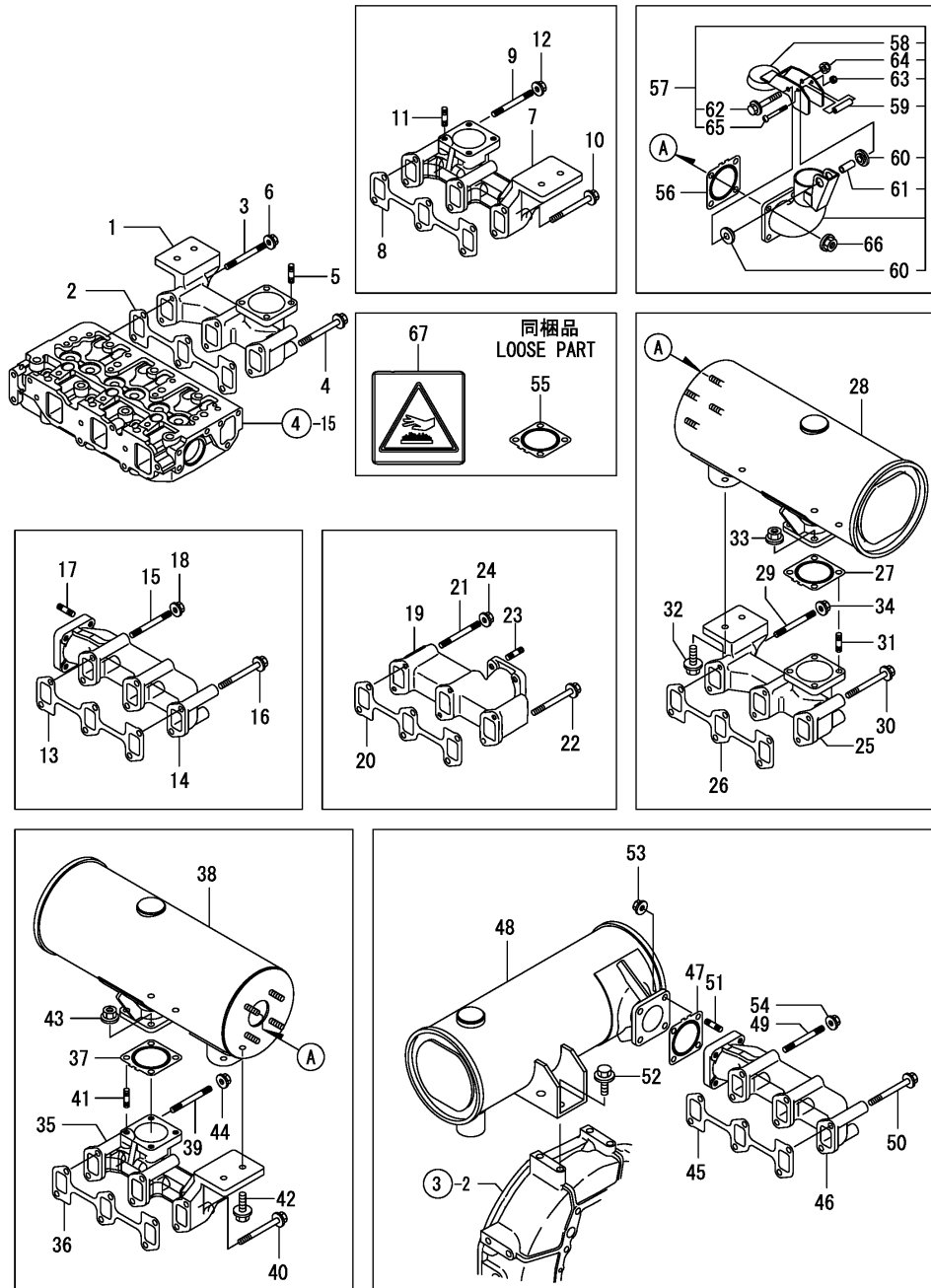
(D)=
 (E)=
 (F)=



No.	Lev.	Parts No.	Description	Qty						I	R
				(A)	(B)	(C)	(D)	(E)	(F)		
1	1	129004-03080	HOSE ASSY, BREATHER	1	1						
2	2	129410-03990	CLAMP, HOSE 21.5	2	2						
3	1	129004-12101	MANIFOLD, INTAKE	1	1						
4	1	129001-12110	GASKET, MANIFOLD	1	1						
5	1	26106-080202	BOLT, M8X 20 PLATED	4	4						
6	1	26106-080802	BOLT, M8X 80 PLATED	1	1						
7	1	129486-12581	JOINT, MANIFOLD		1						
8	1	129150-77511	GASKET, AIR HEATER		1						
9	1	26106-080202	BOLT, M8X 20 PLATED		4						
10	1	119910-12210	HOSE, AIR INTAKE		1						
11	1	119802-12500	CLEANER ASSY, AIR		1						
12	2	129004-12520	ELEMENT, AIR CLEANER		1						
13	2	119808-12540	VALVE, UNLODER		1						
14	2	119866-12541	COVER ASSY, CLEANER		1						
15	1	119802-12560	BRACKET, AIR CLEANER		1						
16	1	129150-77511	GASKET, AIR HEATER		1						
17	1	119803-77520	BEND, AIR HEATER		1						
18	1	23000-060000	CLAMP, 60		2						
19	1	26013-080222	BOLT, M8X 22		4						
20	1	26013-080222	BOLT, M8X 22		2						
21	1	26106-080202	BOLT, M8X 20 PLATED		2						
22	1	26106-080802	BOLT, M8X 80 PLATED		2						
23	1	129247-12500	CLEANER ASSY, AIR		1						
24	2	129004-12520	ELEMENT, AIR CLEANER		1						
25	2	129012-12530	COVER ASSY		1						
26	2	119808-12540	VALVE, UNLODER		1						
27	2	126650-12680	INDICATOR		1						
28	1	129247-12550	HOSE, AIR INTAKE		1						
29	1	129647-12600	BRACKET, AIR CLEANER		1						
30	1	129150-77511	GASKET, AIR HEATER		1						
31	1	119803-77520	BEND, AIR HEATER		1						
32	1	23000-060000	CLAMP, 60		2						
33	1	26013-080222	BOLT, M8X 22		2						
34	1	26106-080162	BOLT, M8X 16 PLATED		4						
35	1	26106-080202	BOLT, M8X 20 PLATED		2						
36	1	26106-080802	BOLT, M8X 80 PLATED		2						
37	1	121855-12060	SILENCER, INTAKE		1						
38	1	119005-12060	SILENCER, INTAKE		1						
39	1	119160-12060	SILENCER ASSY,INTAKE		1						

(A)=3TNV88-BDYE2
 (B)=3TNV88-BDYE2D
 (C)=3TNV88-BDYE2T

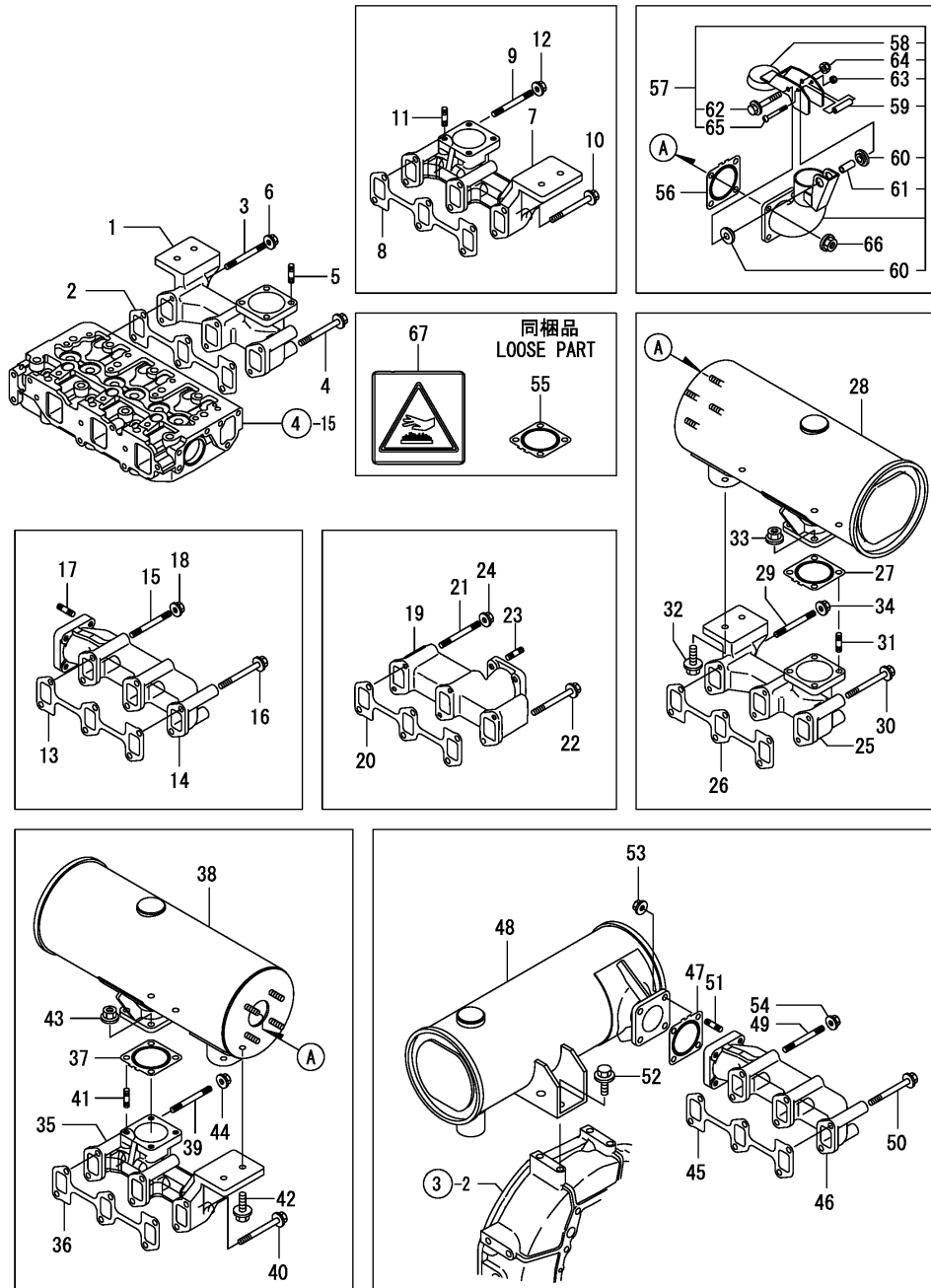
(D)=
 (E)=
 (F)=



No.	Lev.	Parts No.	Description	Qty						I	R
				(A)	(B)	(C)	(D)	(E)	(F)		
1	1	129004-13109	MANIFOLD, EXHAUST	1							
2	1	129150-13110	GASKET, MANIFOLD	1							
3	1	123900-13610	STUD, M8X80	2							
4	1	123900-13630	BOLT, M8X80	4							
5	1	119131-18320	STUD, M8X22	4							
6	1	26306-080002	NUT, M8	2							
7	1	129004-13110	MANIFOLD, EXHAUST	1							
8	1	129150-13110	GASKET, MANIFOLD	1							
9	1	123900-13610	STUD, M8X80	2							
10	1	123900-13630	BOLT, M8X80	4							
11	1	119131-18320	STUD, M8X22	4							
12	1	26306-080002	NUT, M8	2							
13	1	129150-13110	GASKET, MANIFOLD	1							
14	1	129004-13129	MANIFOLD, EXHAUST	1							
15	1	123900-13610	STUD, M8X80	2							
16	1	123900-13630	BOLT, M8X80	4							
17	1	119131-18320	STUD, M8X22	4							
18	1	26306-080002	NUT, M8	2							
19	1	129100-13110	MANIFOLD, EXHAUST	1							
20	1	129150-13110	GASKET, MANIFOLD	1							
21	1	123900-13610	STUD, M8X80	2							
22	1	123900-13630	BOLT, M8X80	4							
23	1	119131-18320	STUD, M8X22	4							
24	1	26306-080002	NUT, M8	2							
25	1	129004-13109	MANIFOLD, EXHAUST	1							
26	1	129150-13110	GASKET, MANIFOLD	1							
27	1	129004-13200	GASKET, SILENCER	1							
28	1	129004-13500	SILENCER	1							
29	1	123900-13610	STUD, M8X80	2							
30	1	123900-13630	BOLT, M8X80	4							
31	1	119131-18320	STUD, M8X22	4							
32	1	26106-080252	BOLT, M8X 25 PLATED	2							
33	1	26306-080002	NUT, M8	4							
34	1	26306-080002	NUT, M8	2							
35	1	129004-13110	MANIFOLD, EXHAUST	1							
36	1	129150-13110	GASKET, MANIFOLD	1							
37	1	129004-13200	GASKET, SILENCER	1							
38	1	129004-13500	SILENCER	1							
39	1	123900-13610	STUD, M8X80	2							
40	1	123900-13630	BOLT, M8X80	4							
41	1	119131-18320	STUD, M8X22	4							
42	1	26106-080252	BOLT, M8X 25 PLATED	2							
43	1	26306-080002	NUT, M8	4							
44	1	26306-080002	NUT, M8	2							
45	1	129150-13110	GASKET, MANIFOLD	1							
46	1	129004-13129	MANIFOLD, EXHAUST	1							
47	1	129004-13200	GASKET, SILENCER	1							
48	1	129240-13500	SILENCER	1							
49	1	123900-13610	STUD, M8X80	2							
50	1	123900-13630	BOLT, M8X80	4							
51	1	119131-18320	STUD, M8X22	4							

(A)=3TNV88-BDYE2
 (B)=3TNV88-BDYE2D
 (C)=3TNV88-BDYE2T

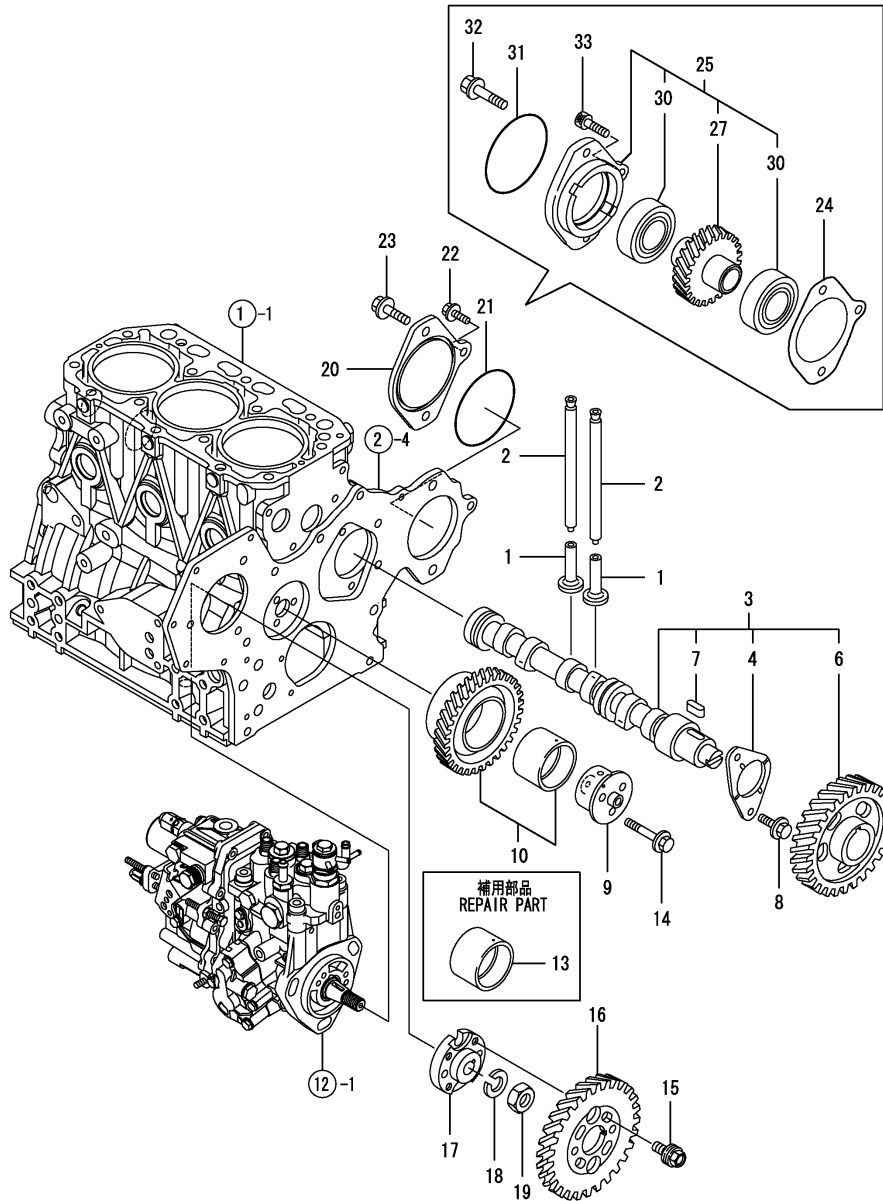
(D)=
 (E)=
 (F)=



No.	Lev.	Parts No.	Description	Qty						I	R
				(A)	(B)	(C)	(D)	(E)	(F)		
52	1	26106-100202	BOLT, M10X 20 PLATED		2						
53	1	26306-080002	NUT, M8		4						
54	1	26306-080002	NUT, M8		2						
55	1	129004-13200	GASKET, SILENCER	1		1					
56	1	129004-13200	GASKET, SILENCER (B=*2009.05.)		1						W
57	1	129005-13600	PIPE ASSY, TAIL (B=*2009.05.)		1						W
58	2	119358-13640	CAP, RAIN (B=*2009.05.)		1						W
59	2	121855-13821	SPACER, A (B=*2009.05.)		1						W
60	2	121855-13830	SPACER, B (B=*2009.05.)		2						W
61	2	123500-13840	SPACER, C (B=*2009.05.)		1						W
62	2	26106-060402	BOLT, M6X 40 PLATED (B=*2009.05.)		1						W
63	2	26347-040002	NUT, M4 (B=*2009.05.)		1						W
64	2	26347-060002	NUT, M6 (B=*2009.05.)		1						W
65	2	26557-040352	SCREW, M4X35 (B=*2009.05.)		1						W
66	1	26306-080002	NUT, M8 (B=*2009.05.)		4						W
67	1	114220-07130	LABEL, HOT SURFACE (B=EXXXXX)		1						W

(A)=3TNV88-BDYE2
 (B)=3TNV88-BDYE2D
 (C)=3TNV88-BDYE2T

(D)=
 (E)=
 (F)=



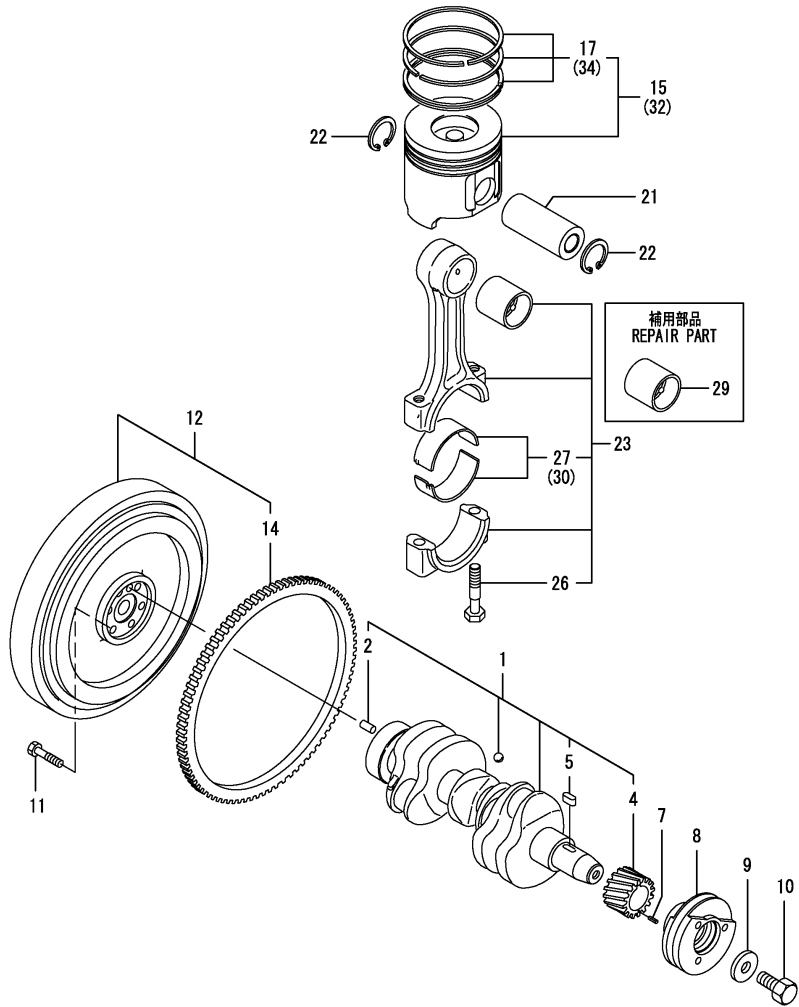
No.	Lev.	Parts No.	Description	Qty						I	R
				(A)	(B)	(C)	(D)	(E)	(F)		
1	1	129150-14200	TAPPET	6		6					
2	1	129150-14400	ROD, PUSH L=178	6		6					
3	1	129129-14580	CAMSHAFT ASSY	1		1					
4	2	129150-02450	METAL, THRUST	1		1					
6	2	129150-14101	GEAR, CAMSHAFT	1		1					
7	2	22512-070140	KEY, 7X 14	1		1					
8	1	26106-080142	BOLT, M8X 14 PLATED	2		2					
9	1	119803-25050	SHAFT, IDLE GEAR	1		1					
10	1	119802-25101	GEAR ASSY, IDLE	1		1					
13	1	119802-25071	BUSH, IDLE GEAR	1		1					1
14	1	26106-080402	BOLT, M8X 40 PLATED	3		3					
15	1	129150-25301	BOLT, INJECTION PUMP	4		4					
16	1	119802-25901	GEAR, PUMP	1		1					
17	1	158552-51151	FLANGE, CAMSHAFT	1		1					
18	1	22217-140000	WASHER, SPRING 14	1		1					
19	1	26776-140002	NUT, LOCK M14	1		1					
20	1	129430-26070	COVER, PUMP	1		1					
21	1	24321-000800	O-RING, 1AG80.0	1		1					
22	1	26106-080252	BOLT, M8X 25 PLATED	1		1					
23	1	26106-100302	BOLT, M10X 30 PLATED	2		2					
24	1	171353-26081	GASKET, PUMP			1					
25	1	129484-26200	DRIVE ASSY, PUMP			1					
27	2	129484-26210	GEAR ASSY, PUMP			1					
30	2	24105-060064	BEARING, BALL 6006Z			2					
31	1	24321-000850	O-RING, 1AG85.0			1					
32	1	26106-100452	BOLT, M10X 45 PLATED			2					
33	1	26450-080282	BOLT, M8X 28			1					W

(B)=*2009.07.)

Remarks
 (1) Spare parts.

(A)=3TNV88-BDYE2
 (B)=3TNV88-BDYE2D
 (C)=3TNV88-BDYE2T

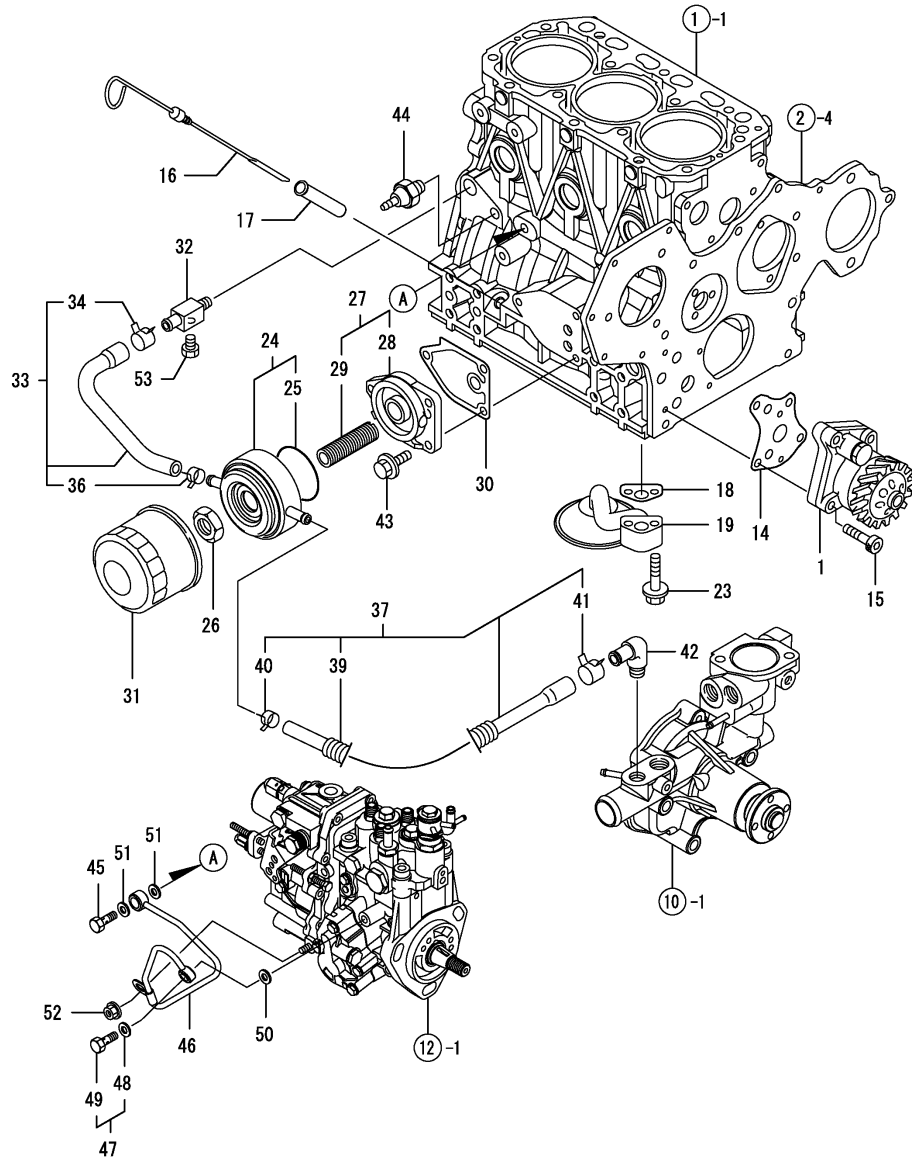
(D)=
 (E)=
 (F)=



No.	Lev.	Parts No.	Description	Qty						I	R
				(A)	(B)	(C)	(D)	(E)	(F)		
1	1	129008-21000	CRANKSHAFT ASSY	1	1						
2	2	129100-01580	PIN, PARALLEL 8X16	1	1						
4	2	119803-21200	GEAR, CRANKSHAFT	1	1						
5	2	22512-070140	KEY, 7X 14	1	1						
7	1	22351-030010	PIN, SPRING 3.0X10	1	1						
8	1	129004-21650	V-PULLEY, CRANKSHAFT	1	1						
9	1	129795-21661	WASHER, 14	1	1						
10	1	121850-21680	BOLT, V-PULLEY	1	1						
11	1	121111-21501	BOLT, FLYWHEEL	6	6						
12	1	171340-21580	FLYWHEEL ASSY	1	1						
14	2	119865-21600	GEAR, RING Z=116	1	1						
15	1	129005-22080	PISTON ASSY	3	3						
17	2	129005-22500	RING SET, PISTON	3	3						
21	1	129202-22300	PIN, PISTON D26 L70	3	3						
22	1	22252-000260	RING, 26	6	6						
23	1	729402-23100	ROD ASSY, CONNECTING	3	3						
26	2	121550-23200	BOLT, CONNECTING ROD	6	6						
27	2	129150-23601	METAL ASSY,CRANK PIN	3	3						
29	1	129100-23910	METAL, PISTON PIN	3	3						1
30	1	129150-23611	METAL, CRANK PIN .25	3	3						2
32	1	129005-22900	PISTON ASSY, 0.25 OS	3	3						3
34	2	129005-22950	RING SET, PISTON .25	3	3						3

Remarks

- (1) Spare parts.
- (2) Under-sized (U.S.=0.25) parts.
- (3) Over-sized (O.S.=0.25) parts.



(A)=3TNV88-BDYE2
 (B)=3TNV88-BDYE2D
 (C)=3TNV88-BDYE2T

(D)=
 (E)=
 (F)=

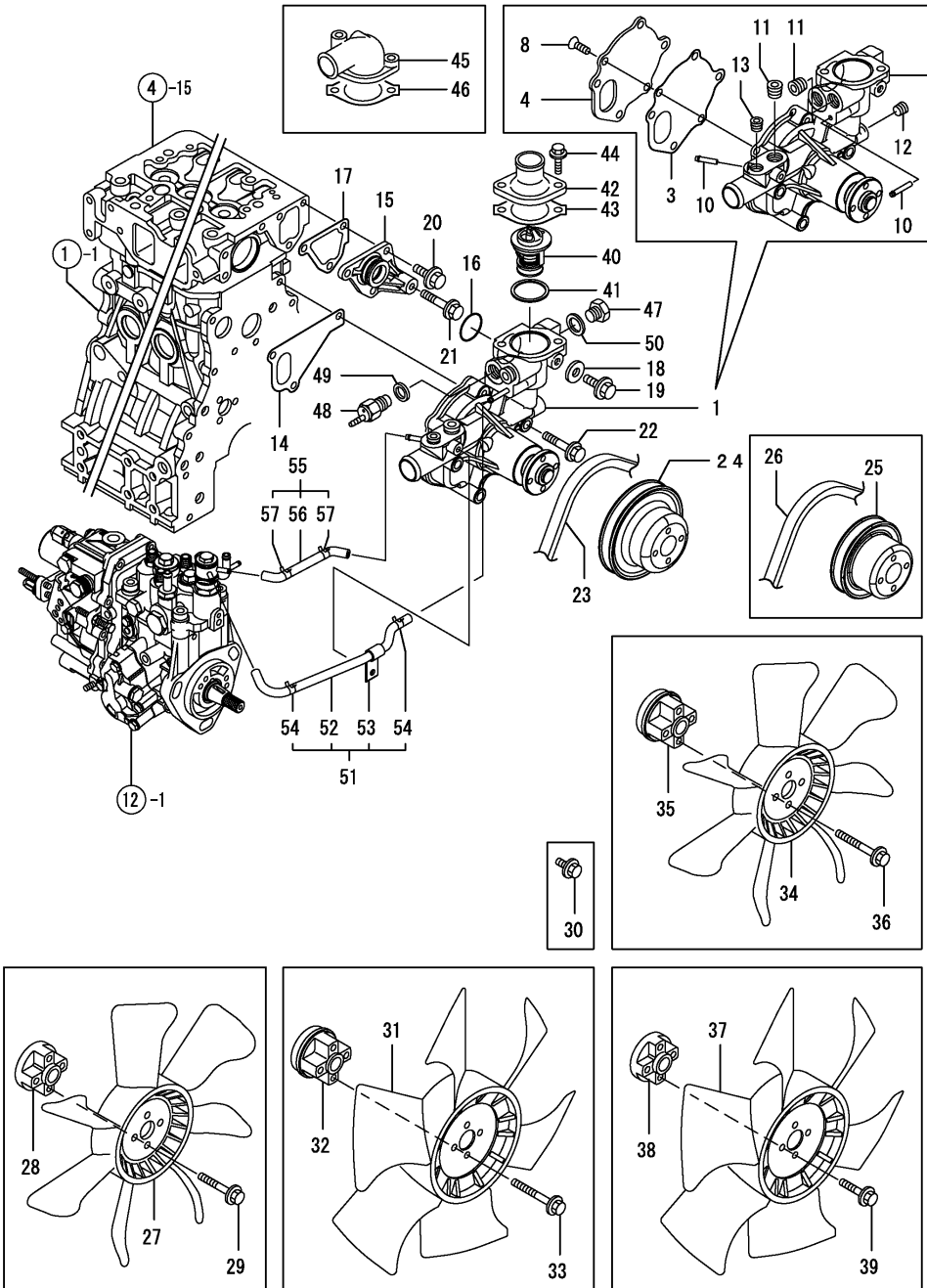
No.	Lev.	Parts No.	Description	Qty						I	R
				(A)	(B)	(C)	(D)	(E)	(F)		
1	1	129001-32001	PUMP ASSY, OIL	1	1						
14	1	129150-32020	GASKET, PUMP	1	1						
15	1	26450-060252	BOLT, M6X 25	4	4						
16	1	129005-34802	DIPSTICK, OIL	1	1						
17	1	121520-34810	GUIDE, DIPSTICK	1	1						
18	1	129150-35042	GASKET, INLET PIPE	1	1						
19	1	129150-35091	PIPE ASSY, OIL INLET	1	1						
23	1	26106-080352	BOLT, M8X 35 PLATED	2	2						
24	1	129508-33010	COOLER ASSY, OIL	1	1						
25	2	129508-33050	O-RING	1	1						
26	1	129417-33110	NUT, OIL COOLER	1	1						
27	1	129006-35100	BRACKET ASSY, FILTER	1	1						
28	2	119802-35110	BRACKET, FILTER	1	1						
29	2	129417-35150	STUD, M20X67	1	1						
30	1	129150-35111	GASKET, BRACKET	1	1						
31	1	129150-35170	FILTER ASSY, D80X80L	1	1						
32	1	129006-44480	JOINT, R02	1	1						
33	1	129508-49030	HOSE ASSY, COOLER IN	1	1						
34	2	171008-03990	CLAMP, HOSE 18.5	1	1						
36	2	23080-015000	CLAMP, 15	1	1						
37	1	129006-49040	HOSE ASSY, COOLER OUT	1	1						
39	2	129642-49180	TUBE, CORRUGATED 19	1	1						
40	2	23080-015000	CLAMP, 15	1	1						
41	2	171008-03990	CLAMP, HOSE 18.5	1	1						
42	1	129103-49301	ELBOW, PT1/4	1	1						
43	1	26106-080202	BOLT, M8X 20 PLATED	3	3						
44	1	114250-39450	SWITCH, HYDRAULIC	1	1						
45	1	124160-39140	BOLT, PIPE JOINT M10	1	1						
46	1	119802-39450	PIPE ASSY, OIL	1	1						
47	1	129005-59830	BOLT ASSY, JOINT M8	1	1						
48	2	22190-080002	WASHER, SEAL 8	1	1						
49	2	23857-030000	BOLT, JOINT 3	1	1						
50	1	22190-080002	WASHER, SEAL 8	1	1						
51	1	22190-100002	WASHER, SEAL 10	2	2						
52	1	26366-060002	NUT, M6	1	1						
53	1	171056-49120	PLUG, DRAIN R1/4	1	1						

Remarks

(1) Spare parts.

N:Old $\begin{matrix} \leftarrow \text{Yes} \\ \text{No} \end{matrix}$ New, Q:Old $\begin{matrix} \leftarrow \text{No} \\ \text{Yes} \end{matrix}$ New, R:Old $\begin{matrix} \leftarrow \text{Yes} \\ \text{Yes} \end{matrix}$ New, S:Old $\begin{matrix} \leftarrow \text{No} \\ \text{No} \end{matrix}$ New, W:Add, Z:Discontinued, F:Interchangeable by set, K:Q'ty Change

(A)=3TNV88-BDYE2
 (B)=3TNV88-BDYE2D
 (C)=3TNV88-BDYE2T

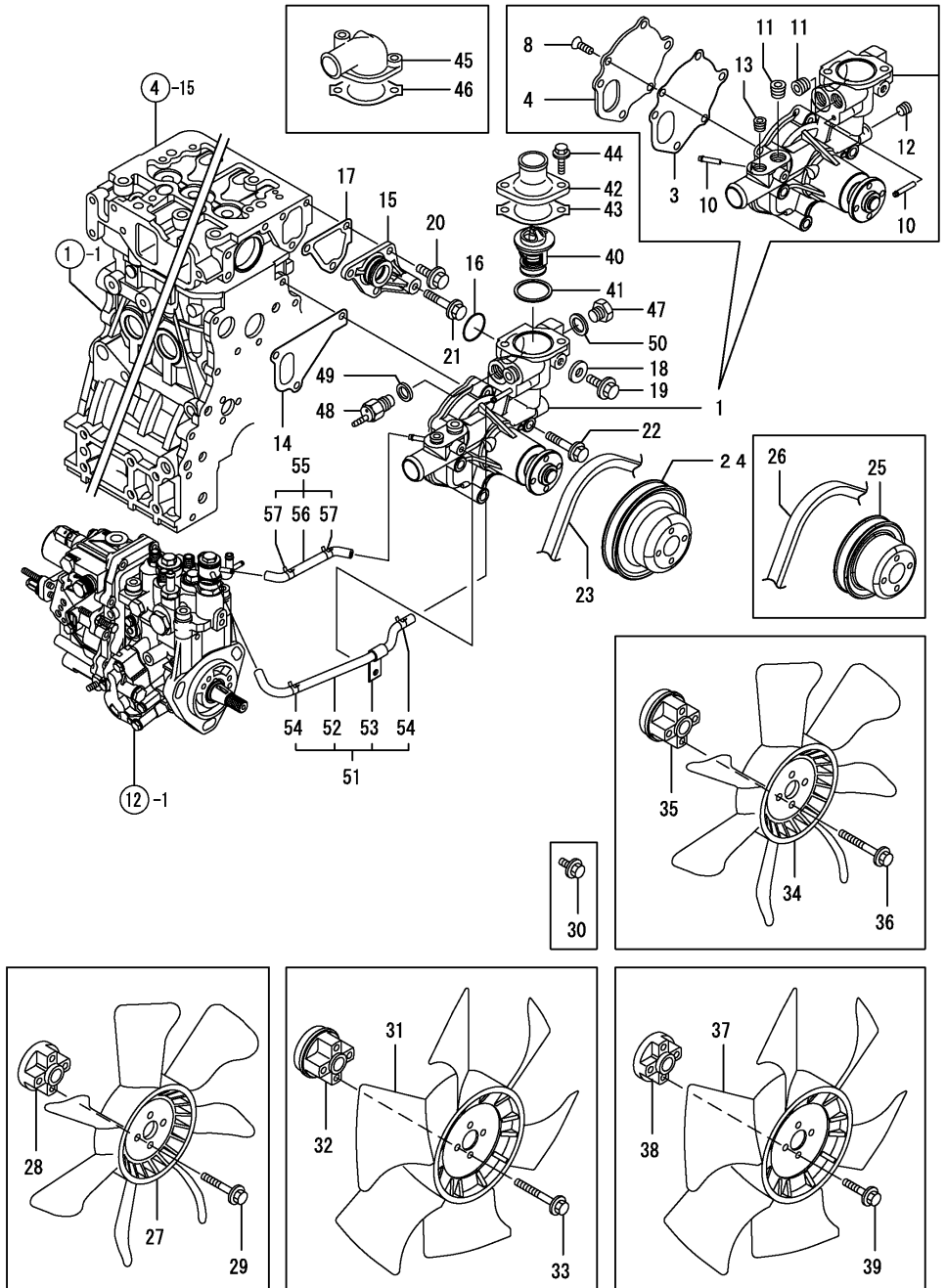
 (D)=
 (E)=
 (F)=


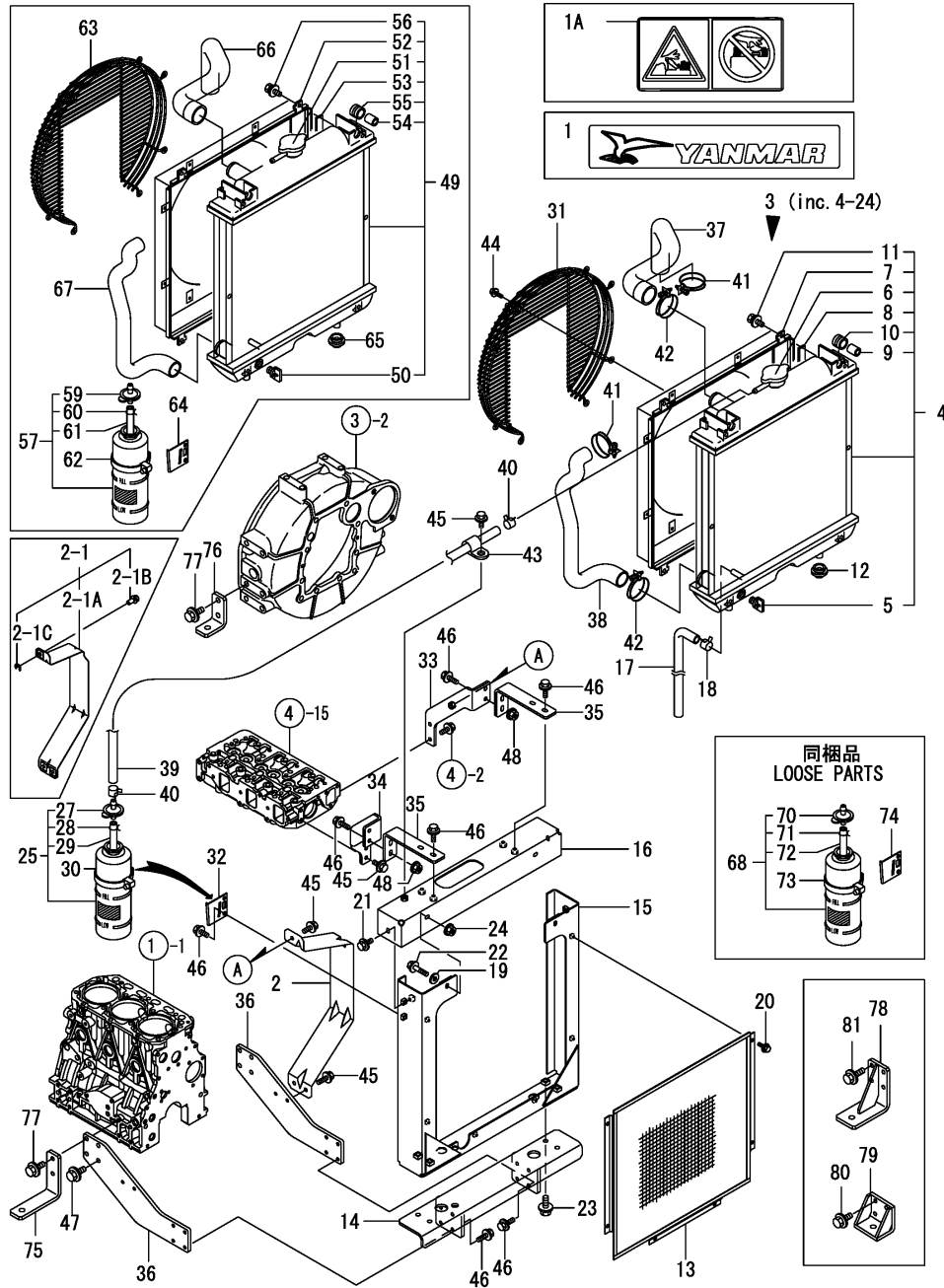
No.	Lev.	Parts No.	Description	Qty						I	R
				(A)	(B)	(C)	(D)	(E)	(F)		
1	1	129004-42001	PUMP ASSY, WATER	1	1						
3	2	129100-42051	GASKET, WATER PUMP	1	1						
4	2	129100-42121	PLATE, PUMP	1	1						
8	2	121850-42410	SCREW	3	3						
10	2	119802-49113	JOINT, PIPE	2	2						
11	2	129916-49740	PLUG, R3/8	2	2						
12	2	23876-010000	PLUG, R01	1	1						
13	2	23876-020000	PLUG, R02	1	1						
14	1	129486-42021	GASKET, WATER PUMP	1	1						
15	1	129004-42040	JOINT, WATER PIPE	1	1						
16	1	129486-42140	O-RING, G30	1	1						
17	1	124395-49840	GASKET, THERMOSTAT	1	1						
18	1	23414-080000	GASKET, 8X1.0	1	1						
19	1	26106-080122	BOLT, M8X 12 PLATED	1	1						
20	1	26106-080162	BOLT, M8X 16 PLATED	3	3						
21	1	26106-080452	BOLT, M8X 45 PLATED	1	1						
22	1	26106-080602	BOLT, M8X 60 PLATED	3	3						
23	1	119865-42290	V-BELT, A36.5		1						
24	1	129403-42380	V-PULLEY, PUMP		1						
25	1	129155-42350	V-PULLEY, PUMP		1						
26	1	25132-003600	V-BELT, A36		1						
27	1	121267-44741	FAN, COOLING D=360		1						
28	1	171353-44760	SPACER, FAN 25MM		1						
29	1	26106-060402	BOLT, M6X 40 PLATED		4						
30	1	26106-060122	BOLT, M6X 12 PLATED		4						
31	1	129030-44740	FAN, COOLING D360XUG		1						
32	1	129030-44760	SPACER, FAN L38.5		1						
33	1	26106-060502	BOLT, M6X 50 PLATED		4						
34	1	121267-44741	FAN, COOLING D=360		1						
35	1	129030-44760	SPACER, FAN L38.5		1						
36	1	26106-060502	BOLT, M6X 50 PLATED		4						
37	1	129030-44740	FAN, COOLING D360XUG		1						
38	1	121267-44760	SPACER, FAN 18MM		1						
39	1	26106-060302	BOLT, M6X 30 PLATED		4						
40	1	129155-49801	THERMOSTAT, 71C	1	1						
41	1	129150-49811	GASKET, THERMOSTAT	1	1						
42	1	129350-49530	COVER, THERMOSTAT	1	1						
43	1	129795-49551	GASKET, COVER	1	1						
44	1	26106-080222	BOLT, M8X 22 PLATED	2	2						
45	1	124101-49531	COVER, THERMOSTAT		1						
46	1	129795-49551	GASKET, COVER		1						
47	1	121450-42450	PLUG, M16	1	1						
48	1	121250-44901	SWITCH, TEMPERATURE	1	1						
49	1	124465-44950	GASKET, 16	1	1						
50	1	124465-44950	GASKET, 16	1	1						
51	1	129004-49610	HOSE ASSY, WATER A	1	1						
52	2	129004-49711	HOSE, WATER A	1	1						
53	2	119802-49730	RETAINER, PIPE	1	1						
54	2	124722-59050	CLAMP, HOSE 9	2	2						
55	1	129004-49620	HOSE ASSY, WATER B	1	1						
56	2	129004-49721	HOSE, WATER B	1	1						

(A)=3TNV88-BDYE2
 (B)=3TNV88-BDYE2D
 (C)=3TNV88-BDYE2T

(D)=
 (E)=
 (F)=

No.	Lev.	Parts No.	Description	Qty						I	R
				(A)	(B)	(C)	(D)	(E)	(F)		
57	2	124722-59050	CLAMP, HOSE 9	2		2					

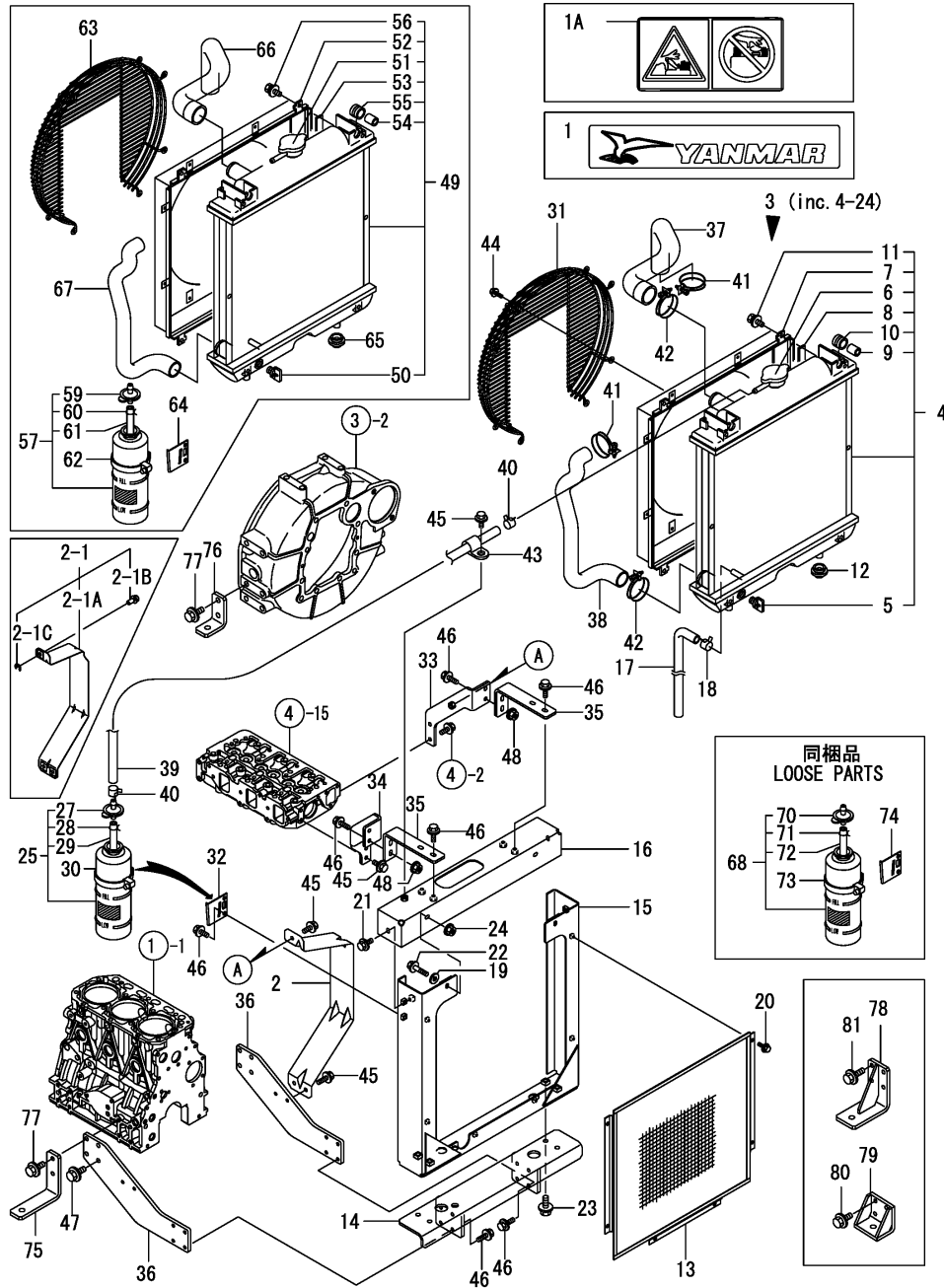




(A)=3TNV88-BDYE2
 (B)=3TNV88-BDYE2D
 (C)=3TNV88-BDYE2T

(D)=
 (E)=
 (F)=

No.	Lev.	Parts No.	Description	Q'ty						I	R
				(A)	(B)	(C)	(D)	(E)	(F)		
1	1	129247-07001	LABEL, YANMAR MARK	1							
1A	1	129946-07000	LABEL, NO OPEN (B=EXXXXX)	1							W
2	1	129247-42800	COVER, V-BELT		1						
2-1	1	129247-42810	COVER CMP,V-BELT (B=EXXXXX)		1						N
2-1A	2	119746-42801	COVER, V-BELT (B=EXXXXX)		1						W
2-1B	2	119746-42820	SCREW, V-BELT COVER (B=EXXXXX)		3						W
2-1C	2	22276-000060	RING, E-6 (B=EXXXXX)		3						W
3	1	129247-44500	RADIATOR ASSY		1						
4	2	129044-44500	RADIATOR ASSY		1						
5	3	129508-44550	COCK ASSY		1						
6	3	129107-44590	CAP, RADIATOR		1						
7	3	129044-44600	SHROUD		1						
8	3	129601-44610	GASKET		2						
9	3	118400-44670	COLLAR, MOUNT RUBBER		2						
10	3	118400-44720	MOUNT, RUBBER D		2						
11	3	26014-060122	BOLT, M6X 12		4						
12	2	119255-44660	RUBBER, RADIATOR		2						
13	2	129247-44800	SCREEN, RADIATOR		1						
14	2	129247-44960	BRACKET, RADIATOR B		1						
15	2	129247-44970	BRACKET, RADIATOR C		1						
16	2	129247-44980	BRACKET, RADIATOR D		1						
17	2	121520-49160	PIPE, WATER DRAIN B		1						
18	2	124766-59050	CLAMP, HOSE 11.5		1						
19	2	22117-080000	WASHER, 8		2						
20	2	26106-060162	BOLT, M6X 16 PLATED		6						
21	2	26106-080162	BOLT, M8X 16 PLATED		2						
22	2	26106-080352	BOLT, M8X 35 PLATED		2						
23	2	26106-100202	BOLT, M10X 20 PLATED		4						
24	2	26366-080002	NUT, M8		2						
25	1	124450-44510	TANK ASSY, SUB		1						
27	2	124450-44530	CAP, SUB TANK		1						
28	2	124450-44560	CLAMP, PIPE		1						
29	2	23061-070230	PIPE, 7X 230		1						
30	1	124450-44550	BAND, SUB TANK		1						
31	1	129601-44560	GUARD, FAN		1						
32	1	121256-44600	BRACKET, SUB TANK		1						
33	1	129247-44910	STAY, RADIATOR A		1						
34	1	129247-44920	STAY, RADIATOR B		1						
35	1	129247-44930	STAY, RADIATOR C		2						
36	1	129247-44950	BRACKET, RADIATOR A		2						
37	1	129602-49010	HOSE, WATER A		1						
38	1	129612-49040	HOSE, WATER B		1						
39	1	170004-49160	PIPE ASSY, DRAIN		1						
40	1	124766-59050	CLAMP, HOSE 11.5		2						
41	1	23010-038000	CLAMP, 38		2						
42	1	23010-044000	CLAMP, 44		2						

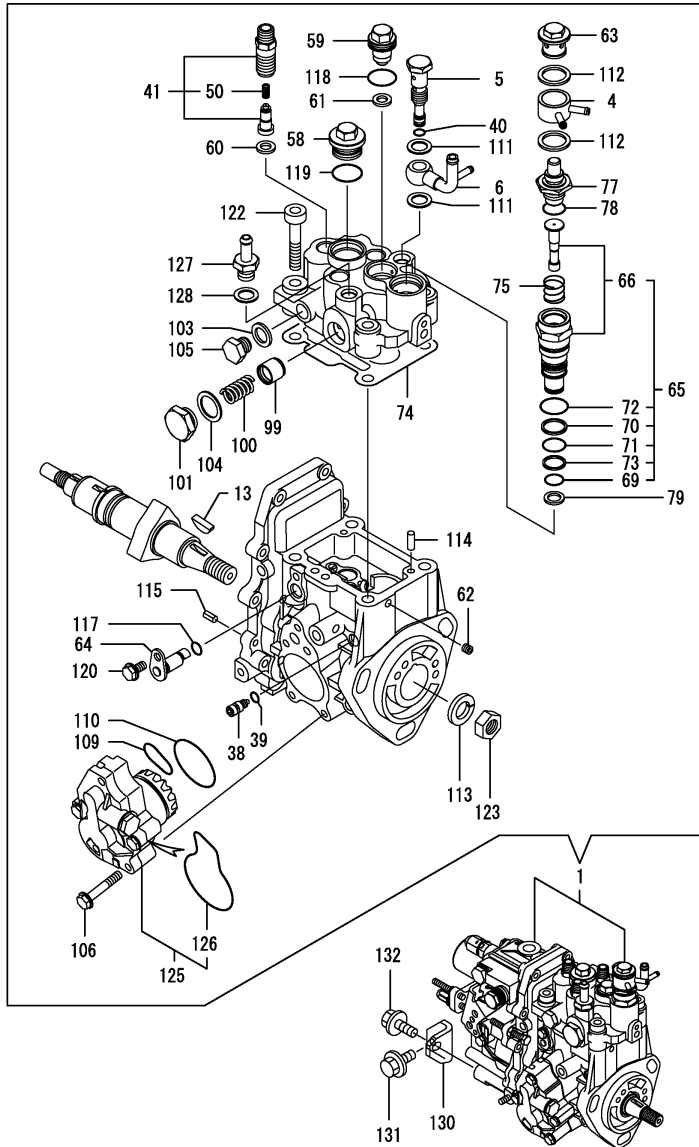


(A)=3TNV88-BDYE2
 (B)=3TNV88-BDYE2D
 (C)=3TNV88-BDYE2T

(D)=
 (E)=
 (F)=

No.	Lev.	Parts No.	Description	Q'ty						I	R
				(A)	(B)	(C)	(D)	(E)	(F)		
43	1	23297-120081	CLAMP, A12X 8	1							
44	1	26106-060162	BOLT, M6X 16 PLATED	8							
45	1	26106-080162	BOLT, M8X 16 PLATED	5							
45-1	1	26106-080162 (B=EZZZZZ)	BOLT, M8X 16 PLATED	9							K
45-2	1	26106-080162 (B=EXXXXX)	BOLT, M8X 16 PLATED	6							K
46	1	26106-080202	BOLT, M8X 20 PLATED	18							
46-1	1	26106-080202 (B=EZZZZZ)	BOLT, M8X 20 PLATED	14							K
47	1	26106-100202	BOLT, M10X 20 PLATED	8							
48	1	26306-080002	NUT, M8	4							
49	1	129044-44500	RADIATOR ASSY	1							
50	2	129508-44550	COCK ASSY	1							
51	2	129107-44590	CAP, RADIATOR	1							
52	2	129044-44600	SHROUD	1							
53	2	129601-44610	GASKET	2							
54	2	118400-44670	COLLAR, MOUNT RUBBER	2							
55	2	118400-44720	MOUNT, RUBBER D	2							
56	2	26014-060122	BOLT, M6X 12	4							
57	1	124450-44510	TANK ASSY, SUB	1							
59	2	124450-44530	CAP, SUB TANK	1							
60	2	124450-44560	CLAMP, PIPE	1							
61	2	23061-070230	PIPE, 7X 230	1							
62	1	124450-44550	BAND, SUB TANK	1							
63	1	129601-44560	GUARD, FAN	1							
64	1	121256-44600	BRACKET, SUB TANK	1							
65	1	119255-44660	RUBBER, RADIATOR	2							
66	1	129602-49010	HOSE, WATER A	1							
67	1	129612-49040	HOSE, WATER B	1							
68	1	124450-44510	TANK ASSY, SUB	1							
70	2	124450-44530	CAP, SUB TANK	1							
71	2	124450-44560	CLAMP, PIPE	1							
72	2	23061-070230	PIPE, 7X 230	1							
73	1	124450-44550	BAND, SUB TANK	1							
74	1	121256-44600	BRACKET, SUB TANK	1							
75	1	119933-08100	FOOT, MOUNTING A	2							
76	1	119933-08110	FOOT, MOUNTING B	2							
77	1	26106-100202	BOLT, M10X 20 PLATED	8							
78	1	129188-08100 (B=*2009.05.)	FOOT, MOUNTING A	2							W
79	1	119888-08110 (B=*2009.05.)	FOOT, MOUNTING B	2							W
80	1	26106-100202 (B=*2009.05.)	BOLT, M10X 20 PLATED	8							W
81	1	26106-100302 (B=*2009.05.)	BOLT, M10X 30 PLATED	8							W

(A)=3TNV88-BDYE2
 (B)=3TNV88-BDYE2D
 (C)=3TNV88-BDYE2T

 (D)=
 (E)=
 (F)=


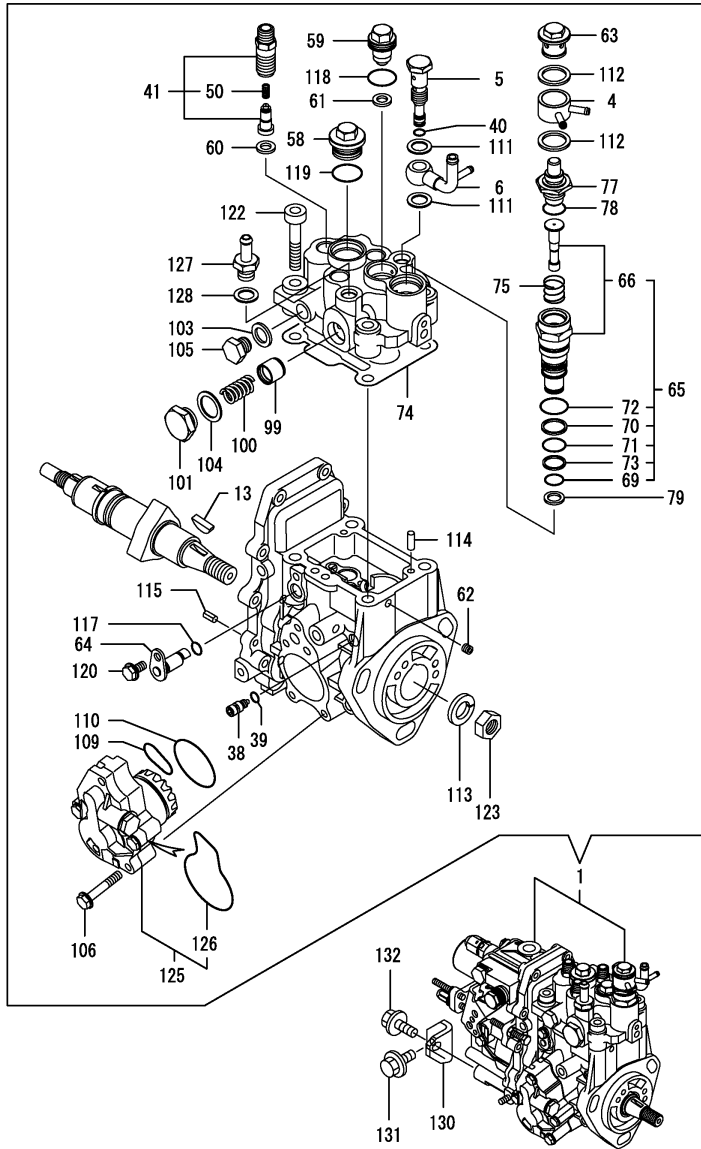
No.	Lev.	Parts No.	Description	Qty						I	R
				(A)	(B)	(C)	(D)	(E)	(F)		
1	1	729285-51300	PUMP ASSY, INJECTION	1	1						1
1-1	1	729285-51340	PUMP ASSY, INJECTION	1	1						N 1
		(A=*2008.11)	(C=*2008.11)								
1-2	1	729285-51341	PUMP ASSY, INJECTION	1	1						N 1
		(A=EXXX)	(C=EXXX)								
1-3	1	729285-51400	PUMP ASSY, INJECTION	1	1						S 2
		(A=E_A7393)	(C=E_A7393)								
4	2	158553-51551	JOINT, COOLING WATER	1	1						
5	2	158601-51650	JOINT, OVERFLOW	1	1						
6	2	158552-51670	JOINT, OVERFLOW	1	1						
13	2	119802-51090	KEY, FEATHER 4X16	1	1						
38	2	158600-51270	STOPPER, TAPPET	1	1						
39	2	158563-51281	O-RING, 4D S6	1	1						
40	2	158563-51281	O-RING, 4D S6	1	1						
41	2	129008-51390	VALVE ASSY, DELIVERY	3	3						
50	3	158563-51330	SPRING, DELIVERY	3	3						
58	2	158601-51550	PLUG, M22	1	1						
59	2	119802-51560	PLUG, BARREL M14	1	1						
60	2	158552-51571	GASKET, BARREL PLUG	3	3						
61	2	158552-51571	GASKET, BARREL PLUG	1	1						
62	2	158557-51570	PLUG, RACK	1	1						
63	2	158601-51570	PLUG	1	1						
64	2	158552-51580	LIFTER, LINK	1	1						
65	2	119802-51590	TIMER ASSY	1	1						
66	3	119802-51600	TIMER ASSY	1	1						
69	3	158553-51670	O-RING, PUMP TIMER	1	1						
70	3	119802-51680	RING, BACKUP	1	1						
71	3	119802-51690	O-RING, 1016	1	1						
72	3	24356-010200	O-RING, 4D1020	1	1						
73	3	24372-000150	RING, BACK UP T2P15	1	1						
74	2	158552-51600	GASKET, HEAD	1	1						
75	2	158553-51630	SPRING, TIMER	1	1						
77	2	158553-51640	ELEMENT, THERMOSTAT	1	1						
78	2	158553-51660	O-RING, P14	1	1						
79	2	158553-51680	GASKET, TIMER	1	1						
99	2	158601-51770	PISTON, ACCUMLATOR	1	1						
100	2	158552-51781	SPRING, ACCUMULATOR	1	1						
101	2	158601-51790	PLUG, ACCUMULATOR	1	1						
103	2	22190-120002	WASHER, SEAL 12	1	1						
104	2	22190-180002	WASHER, SEAL 18	1	1						
105	2	23887-120002	PLUG, 12	1	1						
106	2	158553-51770	BOLT	4	4						
109	2	158552-52310	O-RING, FEED PUMP	1	1						
110	2	158552-52400	O-RING, 4E S42	1	1						
111	2	22190-120002	WASHER, SEAL 12	2	2						
112	2	22190-180002	WASHER, SEAL 18	2	2						
113	2	22217-140000	WASHER, SPRING 14	1	1						
114	2	22312-050140	PIN, PARALLEL 5X14	2	2						
115	2	22351-050010	PIN, SPRING 5.0X10	2	2						
117	2	24311-000070	O-RING, 1AP7.0	1	1						
118	2	24356-010180	O-RING, 4D1018	1	1						

Remarks

- (1)Governor(Fig.13) is incorporated in this Fuel Injection Pump(No.1).
 (2)No.1-3 & Fig.14 No.1-1 interchangeable by set.

(A)=3TNV88-BDYE2
 (B)=3TNV88-BDYE2D
 (C)=3TNV88-BDYE2T

(D)=
 (E)=
 (F)=



No.	Lev.	Parts No.	Description	Q'ty						I	R
				(A)	(B)	(C)	(D)	(E)	(F)		
119	2	24356-010200	O-RING, 4D1020	1	1						
120	2	26106-060102	BOLT, M6X 10 PLATED	1	1						
122	2	26450-080452	BOLT, M8X 45	4	4						
123	2	26776-140002	NUT, LOCK M14	1	1						
125	2	158552-52100	PUMP ASSY, FUEL FEED	1	1						
126	3	158552-52500	O-RING, PUMP INNER	1	1						
127	2	119934-59910	JOINT, PIPE	1	1						
128	2	22190-120002	WASHER, SEAL 12	1	1						
130	1	119802-51250	RETAINER, FUEL PUMP	1	1						
131	1	26106-080162	BOLT, M8X 16 PLATED	1	1						
132	1	26106-080202	BOLT, M8X 20 PLATED	1	1						

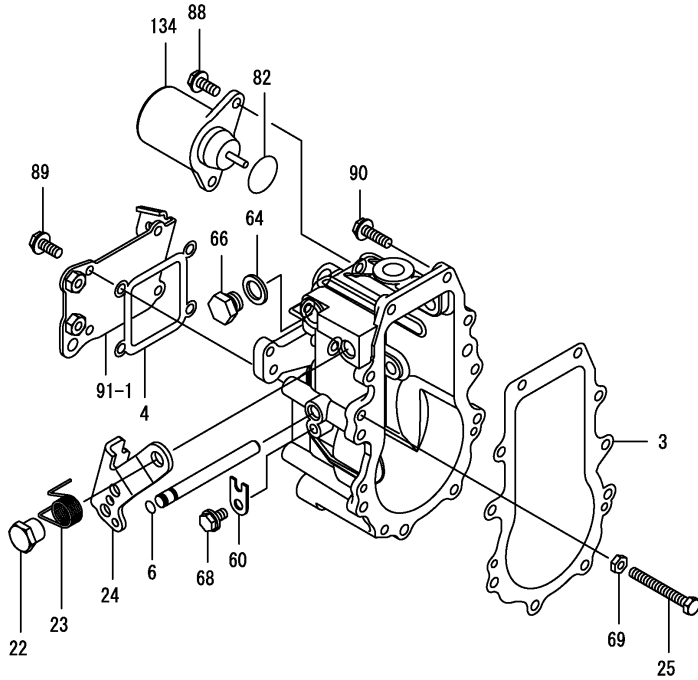


Remarks

- (1)Governor(Fig.13) is incorporated in this Fuel Injection Pump(No.1).
- (2)No.1-3 & Fig.14 No.1-1 interchangeable by set.

(A)=3TNV88-BDYE2
 (B)=3TNV88-BDYE2D
 (C)=3TNV88-BDYE2T

(D)=
 (E)=
 (F)=



No.	Lev.	Parts No.	Description	Qty						I	R
				(A)	(B)	(C)	(D)	(E)	(F)		
3	2	158553-61050	GASKET, CASE	1	1						
4	2	158553-61070	GASKET, CASE	1	1						
6	2	129155-51280	O-RING, S6	1	1						
22	2	129255-61410	NUT, CONTROL LEVER	1	1						
23	2	119807-61420	SPRING, RETURN	1	1						
24	2	158552-61441	LEVER, REGULATOR	1	1						
25	2	129155-61460	BOLT, IDLE LIMIT	1	1						
60	2	119660-61901	STOPPER, SHAFT	1	1						
64	2	22190-120000	WASHER, SEAL 12	1	1						
66	2	23887-120002	PLUG, 12	1	1						
68	2	26106-060102	BOLT, M6X 10 PLATED	1	1						
69	2	26756-060002	NUT, LOCK M6	1	1						
82	2	158552-61900	O-RING	1	1						
88	2	26106-060142	BOLT, M6X 14 PLATED	2	2						
89	2	26106-060142	BOLT, M6X 14 PLATED	4	4						
90	2	26106-060202	BOLT, M6X 20 PLATED	10	10						
91	2	129642-61060	COVER, GOVERNOR CASE	1	1						
91-1	2	158552-61061	COVER, GOVERNOR CASE	1	1						N
		(A=*2008.11)	(C=*2008.11)								
134	2	119653-77950	SOLENOID, STOP	1	1						

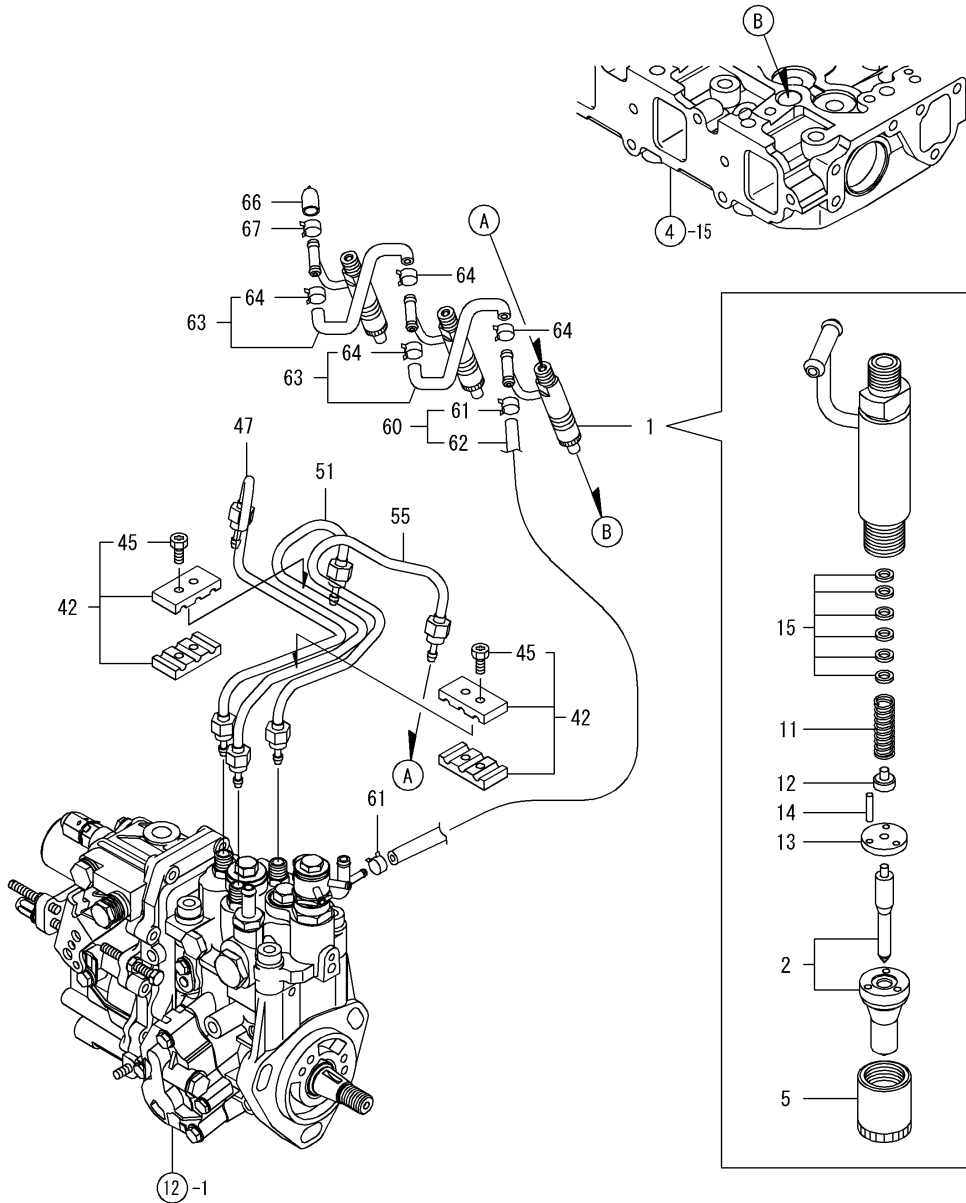
Remarks

* This figure(Governor) is incorporated in the Fuel Injection Pump(Fig.12).

N:Old $\begin{matrix} \leftarrow \text{Yes} \\ \text{No} \end{matrix}$ New, Q:Old $\begin{matrix} \leftarrow \text{No} \\ \text{Yes} \end{matrix}$ New, R:Old $\begin{matrix} \leftarrow \text{Yes} \\ \text{Yes} \end{matrix}$ New, S:Old $\begin{matrix} \leftarrow \text{No} \\ \text{No} \end{matrix}$ New, W:Add, Z:Discontinued, F:Interchangeable by set, K:Q'ty Change

(A)=3TNV88-BDYE2
 (B)=3TNV88-BDYE2D
 (C)=3TNV88-BDYE2T

(D)=
 (E)=
 (F)=



No.	Lev.	Parts No.	Description	Qty						I	R
				(A)	(B)	(C)	(D)	(E)	(F)		
1	1	729604-53200	VALVE ASSY,INJECTION	3	3						
1-1	1	729604-53400	VALVE ASSY,INJECTION	3	3						S 1
(A=E_A7393) (C=E_A7393)											
2	2	129604-53000	VALVE ASSY,INJECTION	3	3						
2-1	2	129604-53300	VALVE ASSY,INJECTION	3	3						S
(A=E_A7393) (C=E_A7393)											
5	2	114250-53080	NUT, NOZZLE	3	3						
11	2	114250-53120	SPRING, NOZZLE	3	3						
12	2	114250-53130	SEAT, SPRING	3	3						
13	2	114250-53140	SPACER, VALVE STOP	3	3						
14	2	114250-53210	PIN, POSITIONING	6	6						
15	2	119803-53400	SHIM SET	3	3						
42	1	129150-59120	RETAINER, PIPE	2	2						
45	2	129150-59131	BOLT, M4X14	4	4						
47	1	129004-59811	PIPE ASSY, INJECTION	1	1						
51	1	129004-59821	PIPE ASSY, INJECTION	1	1						
55	1	129004-59831	PIPE ASSY, INJECTION	1	1						
60	1	119802-59550	HOSE ASSY, RETURN	1	1						
61	2	124722-59050	CLAMP, HOSE 9	2	2						
62	2	119802-59560	HOSE, FUEL RETURN	1	1						
63	1	129486-59551	HOSE ASSY, RETURN	2	2						
64	2	124722-59050	CLAMP, HOSE 9	4	4						
66	1	119593-59581	CAP, RETURN PIPE	1	1						
67	1	124060-77680	CLAMP, HOSE 10	1	1						

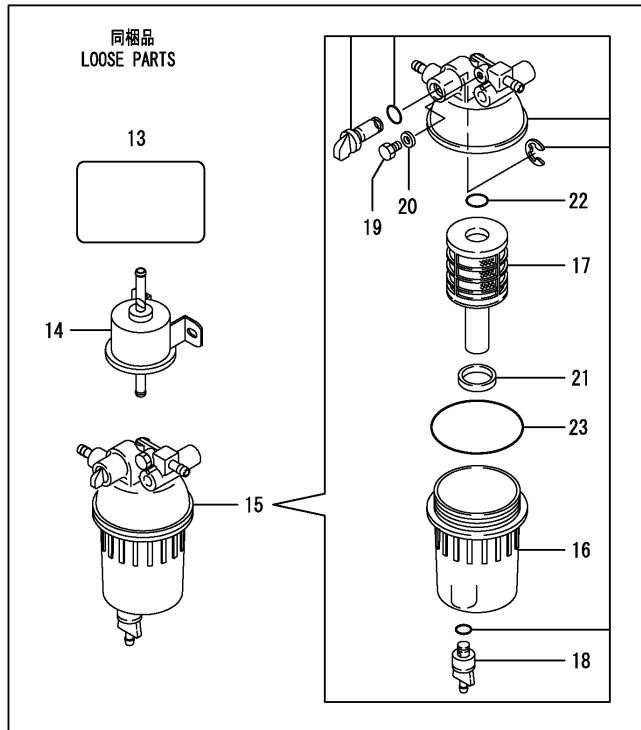
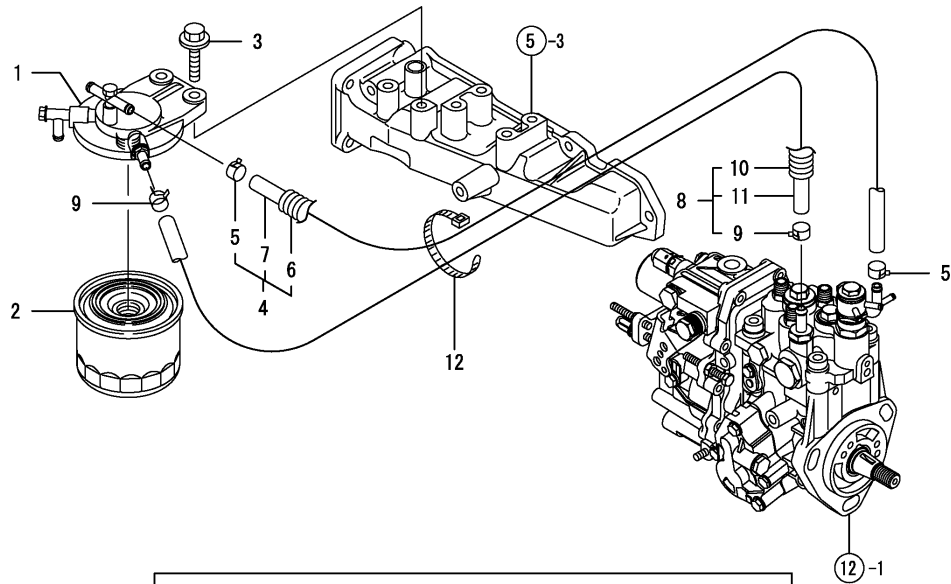
Remarks

(1)No.1-1 & Fig.12 No.1-3 interchangeable by set.

N:Old $\begin{matrix} \leftarrow \text{Yes} \\ \text{No} \end{matrix}$ New, Q:Old $\begin{matrix} \leftarrow \text{No} \\ \text{Yes} \end{matrix}$ New, R:Old $\begin{matrix} \leftarrow \text{Yes} \\ \text{Yes} \end{matrix}$ New, S:Old $\begin{matrix} \leftarrow \text{No} \\ \text{No} \end{matrix}$ New, W:Add, Z:Discontinued, F:Interchangeable by set, K:Q'ty Change

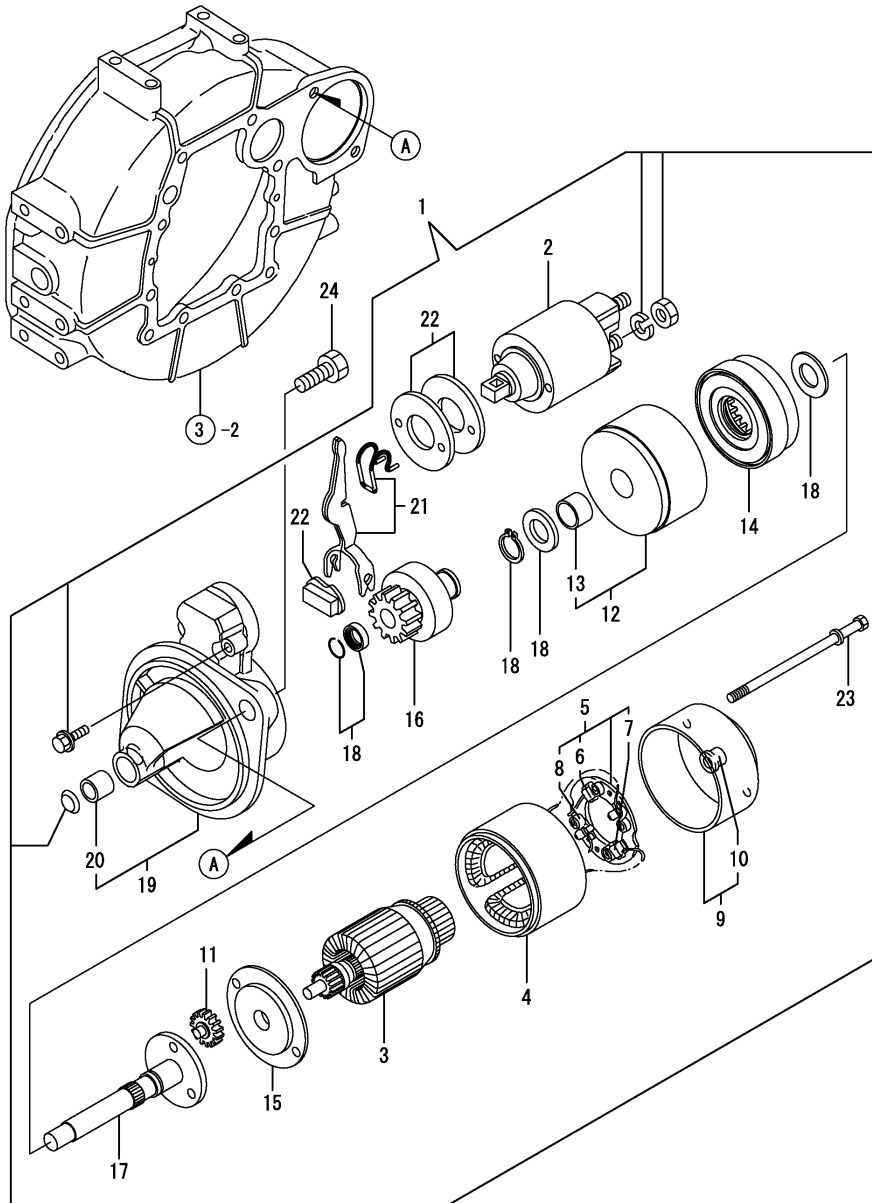
(A)=3TNV88-BDYE2
 (B)=3TNV88-BDYE2D
 (C)=3TNV88-BDYE2T

(D)=
 (E)=
 (F)=



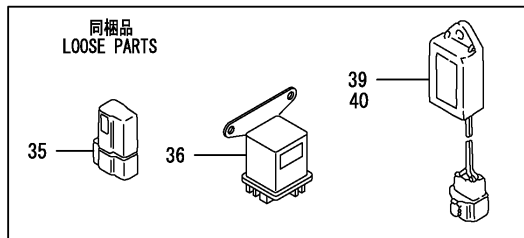
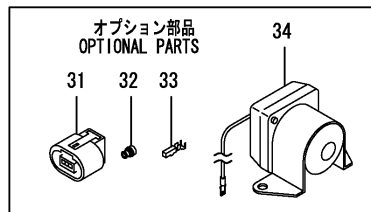
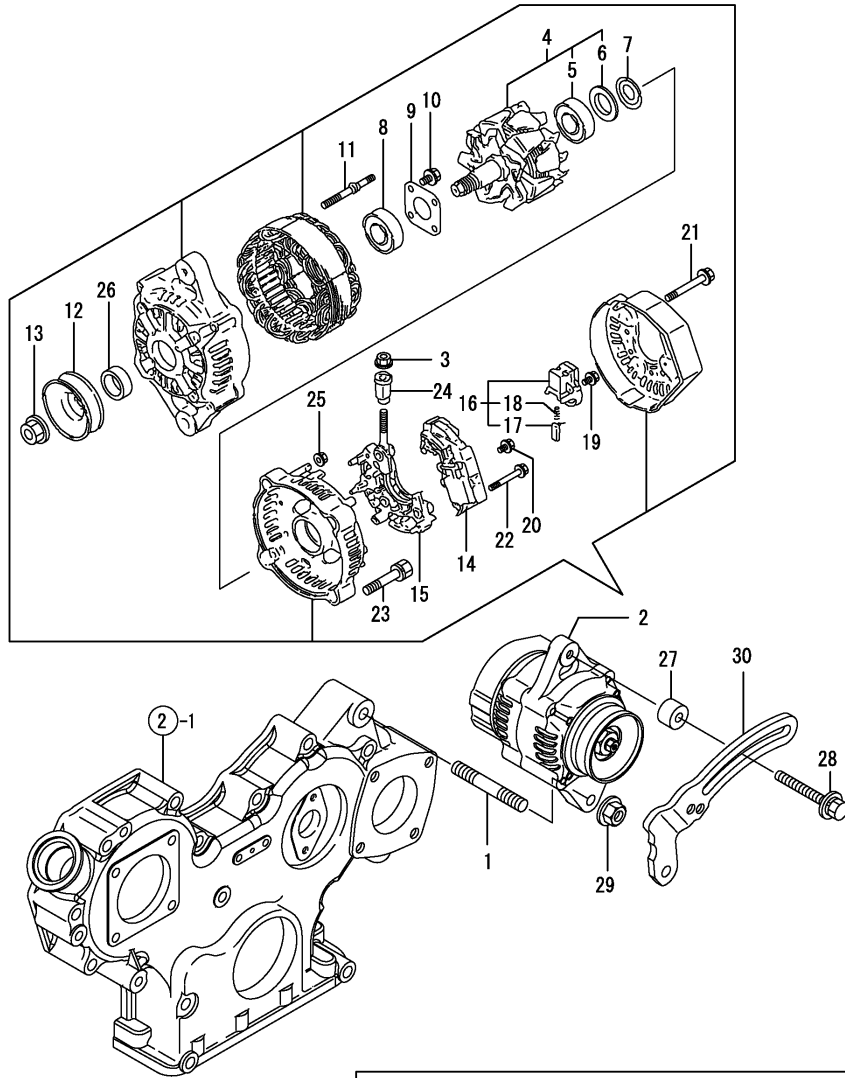
No.	Lev.	Parts No.	Description	Qty						I	R
				(A)	(B)	(C)	(D)	(E)	(F)		
1	1	129004-55612	BRACKET, FILTER	1		1					
2	1	119802-55810	FILTER, FUEL	1		1					
3	1	26106-080302	BOLT, M8X 30 PLATED			2					
4	1	129044-59010	HOSE ASSY, D13XL220	1		1					
5	2	124766-59050	CLAMP, HOSE 11.5	2		2					
6	2	129044-59100	TUBE, CORRUGATED 15	1		1					
7	2	129044-59510	HOSE, FUEL L=220	1		1					
8	1	129950-59311	HOSE ASSY, FUEL	1		1					
9	2	124766-59050	CLAMP, HOSE 11.5	2		2					
10	2	129961-59110	TUBE, CORRUGATED 15	1		1					
11	2	105025-59580	HOSE, FUEL	1		1					
12	1	121750-59890	BAND, NYLON	1		1					
13	1	114110-07760	LABEL, FUEL CAUTION	1		1					
14	1	119225-52102	PUMP, FUEL FEED	1		1					
15	1	129242-55700	SEPARATOR ASSY,WATER	1		1					
16	2	129242-55720	CUP, SEPARATOR	1		1					
17	2	129242-55730	ELEMENT, FUEL FILTER	1		1					
18	2	129242-55740	PLUG, DRAIN	1		1					
19	2	129242-55750	VALVE, AIR VENT	1		1					
20	2	129242-55760	GASKET, PLUG	1		1					
21	2	129242-55770	FLOAT	1		1					
22	2	24311-000160	O-RING, 1AP16.0	1		1					
23	2	24321-000750	O-RING, 1AG75.0	1		1					

(A)=3TNV88-BDYE2
 (B)=3TNV88-BDYE2D
 (C)=3TNV88-BDYE2T

 (D)=
 (E)=
 (F)=


No.	Lev.	Parts No.	Description	Qty						I	R
				(A)	(B)	(C)	(D)	(E)	(F)		
1	1	129242-77010	STARTER, 1.7	1	1						
2	2	129698-77020	SWITCH ASSY, MAGNET	1	1						
3	2	129242-77100	ARMATURE ASSY	1	1						
4	2	129242-77110	YOKE ASSY	1	1						
5	2	129242-77120	HOLDER ASSY, BRUSH	1	1						
6	3	129242-77130	BRUSH, -	2	2						
7	3	129242-77140	BRUSH SET	1	1						
8	3	129242-77150	SPRING, BRUSH	4	4						
9	2	129242-77160	COVER ASSY, STARTER	1	1						
10	3	129242-77170	METAL, REAR COVER	1	1						
11	2	118400-77170	GEAR, PLANETARY	3	3						
12	2	129242-77180	BRACKET, CENTER P	1	1						
13	3	129698-77190	BRACKET, CENTER	1	1						
14	2	129698-77200	GEAR, INTERNAL	1	1						
15	2	129242-77210	BRACKET, CENTER A	1	1						
16	2	129698-77220	PINION ASSY	1	1						
17	2	129698-77230	SHAFT, PINION	1	1						
18	2	129698-77250	WASHER SET	1	1						
19	2	129242-77260	CASE ASSY, GEAR	1	1						
20	3	X2114535200	METAL, STARTER	1	1						
21	2	129242-77270	LEVER SET, SHIFT	1	1						
22	2	129242-77280	COVER KIT, DUST	1	1						
23	2	124195-77770	BOLT, THROUGH	2	2						
24	1	26116-120202	BOLT, M12X 20 PLATED	2	2						

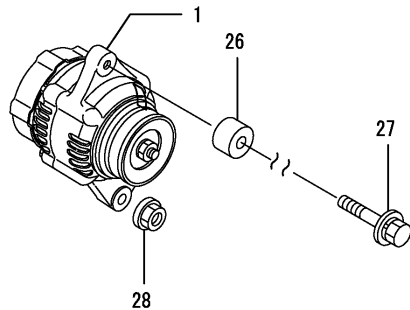
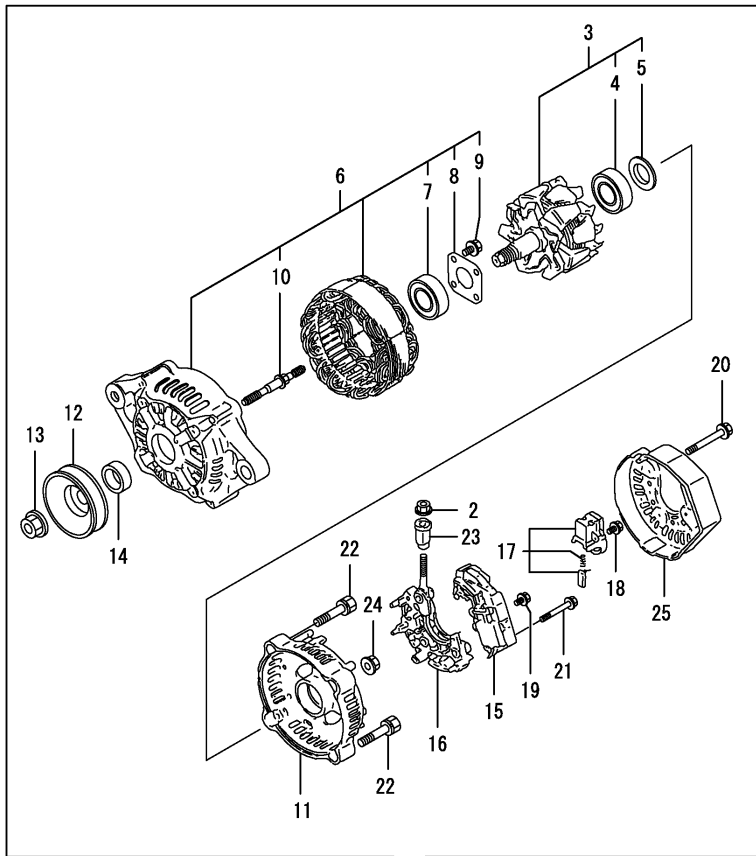
(A)=3TNV88-BDYE2
 (B)=3TNV88-BDYE2D
 (C)=3TNV88-BDYE2T

 (D)=
 (E)=
 (F)=


No.	Lev.	Parts No.	Description	Qty						I	R
				(A)	(B)	(C)	(D)	(E)	(F)		
1	1	129795-01900	BOLT, M10X30	1		1					
2	1	119751-77200	GENERATOR, 12V-40A		1						
3	2	X9490561001	NUT			1					
4	2	119620-77380	ROTOR ASSY		1						
5	3	119620-79240	BEARING, BALL		1						
6	3	119620-79250	COVER, BEARING		1						
7	2	119620-79360	WASHER, THRUST		1						
8	2	119620-79200	BEARING, BALL		1						
9	2	119620-79210	PLATE, RETAINER		1						
10	2	119620-79220	SCREW		4						
11	2	119620-79230	STUD		2						
12	2	119620-77461	PULLEY, GENERATOR		1						
13	2	119620-77471	NUT		1						
14	2	129423-77710	REGULATOR ASSY		1						
15	2	119620-79260	HOLDER ASSY		1						
16	2	129052-79270	HOLDER ASSY, BRUSH		1						
17	3	119620-77480	BRUSH ASSY, SUB		2						
18	3	119620-79280	SPRING		2						
19	2	119620-79290	SCREW		6						
20	2	119620-79300	SCREW		1						
21	2	119620-79310	BOLT		3						
22	2	119620-79320	SCREW, W/WASHER		2						
23	2	119620-79330	BOLT		2						
24	2	119620-79340	BUSH, INSULATION		1						
25	2	119620-79350	NUT		2						
26	2	119620-77490	COLLAR		1						
27	1	129067-77340	SPACER, ADJUSTER		1						
28	1	129972-77341	BOLT, ADJUSTER L=50		1						
29	1	26306-100002	NUT, M10		1						
30	1	129064-77330	ADJUSTER, BELT	1		1					
31	1	119515-77900	HOUSING, ALTERNATOR		1						
32	1	119515-77910	SEAL, WIRE		3						
33	1	119515-77920	TERMINAL, ALTERNATOR		3						
34	1	129100-77910	RELAY, MAGNET		1						
35	1	119643-66900	DIODE	1		1					
36	1	119650-77910	RELAY ASSY, GLOW	1		1					
39	1	128300-77920	TIMER, GLOW PLUG	1		1					
40	1	129211-77920	TIMER, SECTION 1	1		1					

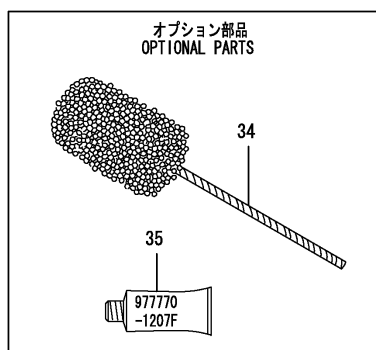
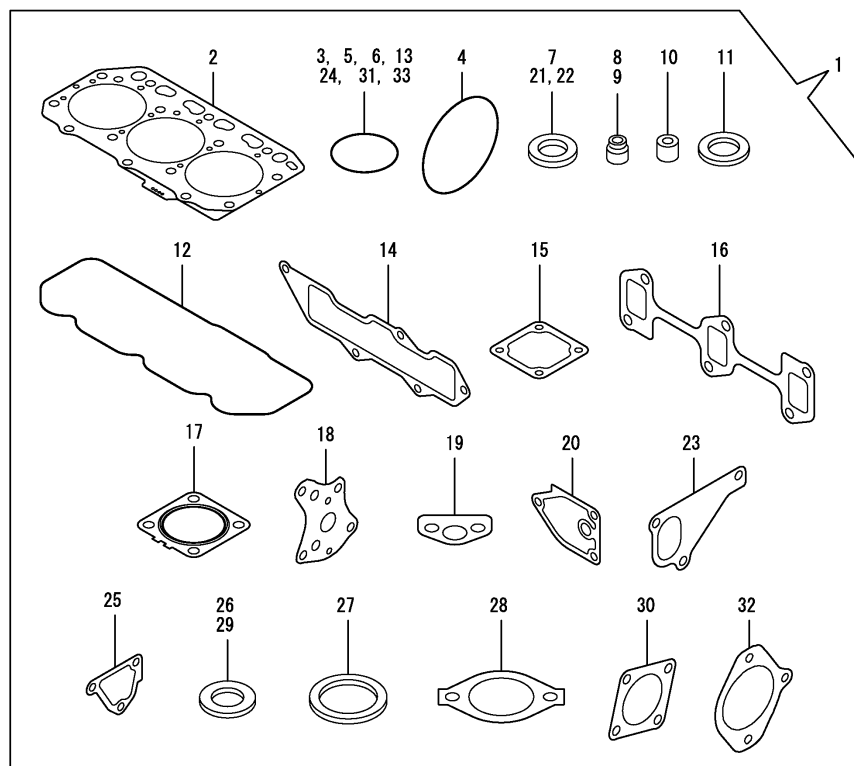
(A)=3TNV88-BDYE2
 (B)=3TNV88-BDYE2D
 (C)=3TNV88-BDYE2T

(D)=
 (E)=
 (F)=



No.	Lev.	Parts No.	Description	Qty						I	R
				(A)	(B)	(C)	(D)	(E)	(F)		
1	1	119626-77210	ALTERNATOR, 12V-55A		1						
2	2	X9490561001	NUT		1						
3	2	129052-77380	ROTOR ASSY		1						
4	3	123501-79240	BEARING, BALL		1						
5	3	119620-79250	COVER, BEARING		1						
6	2	129052-77422	FRAME ASSY		1						
7	3	119620-79200	BEARING, BALL		1						
8	3	119620-79210	PLATE, RETAINER		1						
9	3	119620-79220	SCREW		4						
10	3	119620-79230	STUD		2						
11	2	128401-77440	COVER, END		1						
12	2	119620-77461	PULLEY, GENERATOR		1						
13	2	119620-77471	NUT		1						
14	2	119620-77490	COLLAR		1						
15	2	119626-77710	REGULATOR ASSY		1						
16	2	129052-79260	HOLDER ASSY		1						
17	2	129052-79270	HOLDER ASSY, BRUSH		1						
18	2	119620-79290	SCREW		6						
19	2	119620-79300	SCREW		1						
20	2	119620-79310	BOLT		3						
21	2	119620-79320	SCREW, W/WASHER		2						
22	2	119620-79330	BOLT		2						
23	2	119620-79340	BUSH, INSULATION		1						
24	2	119620-79350	NUT		2						
25	2	119626-77450	COVER, END		1						
26	1	129067-77340	SPACER, ADJUSTER		1						
27	1	129972-77341	BOLT, ADJUSTER L=50		1						
28	1	26306-100002	NUT, M10		1						

(A)=3TNV88-BDYE2
 (B)=3TNV88-BDYE2D
 (C)=3TNV88-BDYE2T

 (D)=
 (E)=
 (F)=


No.	Lev.	Parts No.	Description	Qty						I	R
				(A)	(B)	(C)	(D)	(E)	(F)		
1	1	729005-92850	GASKET SET	1	1						1
2	2	129001-01340	GASKET, HEAD	1	1						
3	2	119609-32040	O-RING, P16	2	2						
4	2	121850-51960	O-RING, FUEL PUMP	1	1						
5	2	24311-000320	O-RING, 1AP32.0	2	2						
6	2	24341-000240	O-RING, 1AS24.0	1	1						
7	2	22190-220002	WASHER, SEAL 22	1	1						
8	2	121400-11340	SEAL, VALVE STEM	3	3						
9	2	124460-11340	SEAL, VALVE STEM	3	3						
10	2	119802-11870	PROTECTOR, NOZZLE	3	3						
11	2	119625-11880	SEAT, NOZZLE	3	3						
12	2	129004-11310	GASKET, BONNET	1	1						
13	2	24311-000120	O-RING, 1AP12.0	3	3						
14	2	129001-12110	GASKET, MANIFOLD	1	1						
15	2	129150-77511	GASKET, AIR HEATER	1	1						
16	2	129150-13110	GASKET, MANIFOLD	1	1						
17	2	129004-13200	GASKET, SILENCER	1	1						
18	2	129150-32020	GASKET, PUMP	1	1						
19	2	129150-35042	GASKET, INLET PIPE	1	1						
20	2	129150-35111	GASKET, BRACKET	1	1						
21	2	22190-080002	WASHER, SEAL 8	7	7						
22	2	22190-100002	WASHER, SEAL 10	2	2						
23	2	129486-42021	GASKET, WATER PUMP	1	1						
24	2	129486-42140	O-RING, G30	1	1						
25	2	124395-49840	GASKET, THERMOSTAT	1	1						
26	2	23414-080000	GASKET, 8X1.0	1	1						
27	2	129150-49811	GASKET, THERMOSTAT	1	1						
28	2	129795-49551	GASKET, COVER	1	1						
29	2	124465-44950	GASKET, 16	2	2						
30	2	124240-01883	GASKET, PUMP	1	1						
31	2	24321-000800	O-RING, 1AG80.0	1	1						
32	2	171353-26081	GASKET, PUMP	1	1						
33	2	24321-000850	O-RING, 1AG85.0	1	1						
34	1	129400-92430	HONE, FLEX	1	1						1
35	1	977770-1207F	GASKET.LIQUID	1	1						1

Remarks

(1)Optional parts.

 N:Old $\begin{matrix} \leftarrow \text{Yes} \\ \text{No} \end{matrix}$ New, Q:Old $\begin{matrix} \leftarrow \text{No} \\ \text{Yes} \end{matrix}$ New, R:Old $\begin{matrix} \leftarrow \text{Yes} \\ \text{Yes} \end{matrix}$ New, S:Old $\begin{matrix} \leftarrow \text{No} \\ \text{No} \end{matrix}$ New, W:Add, Z:Discontinued, F:Interchangeable by set, K:Q'ty Change



Parts No. Index

Parts No.	Fig. No.	Ref. No.
105025-59580	15	11
114110-07760	15	13
114220-07130	6	67
114250-39450	9	44
114250-53080	14	5
114250-53120	14	11
114250-53130	14	12
114250-53140	14	13
114250-53210	14	14
118400-44670	11	9
		54
118400-44720	11	10
		55
118400-77170	16	11
119005-12060	5	38
119131-18320	6	5
		11
		17
		23
		31
		41
		51
119160-12060	5	39
119225-52102	15	14
119255-44660	11	12
		65
119358-13640	6	58
119515-77900	17	31
119515-77910	17	32
119515-77920	17	33
119593-59581	14	66
119609-32040	2	9
	19	3
119620-01750	3	3
119620-77380	17	4
119620-77461	17	12
	18	12
119620-77471	17	13
	18	13
119620-77480	17	17
119620-77490	17	26
	18	14
119620-79200	17	8
	18	7
119620-79210	17	9
	18	8
119620-79220	17	10
	18	9
119620-79230	17	11
	18	10

Parts No.	Fig. No.	Ref. No.
119620-79240	17	5
119620-79250	17	6
	18	5
119620-79260	17	15
119620-79280	17	18
119620-79290	17	19
	18	18
119620-79300	17	20
	18	19
119620-79310	17	21
	18	20
119620-79320	17	22
	18	21
119620-79330	17	23
	18	22
119620-79340	17	24
	18	23
119620-79350	17	25
	18	24
119620-79360	17	7
119625-11880	4	33
	19	11
119626-77210	18	1
119626-77450	18	25
119626-77710	18	15
119640-01640	3	8
119643-66900	17	35
119650-77910	17	36
119653-77950	13	134
119660-61901	13	60
119746-42801	11	2 -1A
119746-42820	11	2 -1B
119751-77200	17	2
119802-01561	2	5
119802-03110	4	44
119802-03121	4	45
119802-03130	4	46
119802-03141	4	47
119802-11260	4	6
119802-11270	4	7
119802-11280	4	8
119802-11870	4	32
	19	10
119802-12500	5	11
119802-12560	5	15
119802-25071	7	13
119802-25101	7	10
119802-25901	7	16
119802-35110	9	28
119802-39450	9	46

Parts No.	Fig. No.	Ref. No.
119802-49113	10	10
119802-49730	10	53
119802-51090	12	13
119802-51250	12	130
119802-51560	12	59
119802-51590	12	65
119802-51600	12	66
119802-51680	12	70
119802-51690	12	71
119802-55810	15	2
119802-59550	14	60
119802-59560	14	62
119803-21200	8	4
119803-25050	7	9
119803-53400	14	15
119803-77520	5	17
		31
119807-61420	13	23
119808-12540	5	13
		26
119865-21600	8	14
119865-42290	10	23
119866-12541	5	14
119888-08110	11	79
119910-12210	5	10
119933-08100	11	75
119933-08110	11	76
119934-01800	2	3
119934-59910	12	127
120130-11860	4	30
120270-54410	4	35
121023-01551	2	22
121111-21501	8	11
121250-44901	10	48
121256-44600	11	32
		64
		74
121267-44741	10	27
		34
121267-44760	10	38
121400-11340	4	26
	19	8
121450-42450	10	47
121520-34810	9	17
121520-49160	11	17
121550-23200	8	26
121750-59890	15	12
121850-21680	8	10
121850-42410	10	8
121850-51960	2	10

Parts No.	Fig. No.	Ref. No.
121850-51960	19	4
121855-12060	5	37
121855-13821	6	59
121855-13830	6	60
123500-13840	6	61
123501-79240	18	4
123900-13610	6	3
		9
		15
		21
		29
		39
		49
123900-13630	6	4
		10
		16
		22
		30
		40
		50
124060-01050	1	11
124060-77680	14	67
124101-49531	10	45
124160-01751	2	6
	4	40
124160-01910	1	12
		13
124160-11360	4	52
124160-39140	9	45
124195-77770	16	23
124240-01871	2	7
		19
124240-01883	2	20
	19	30
124395-49840	10	17
	19	25
124450-44510	11	25
		57
		68
124450-44530	11	27
		59
		70
124450-44550	11	30
		62
		73
124450-44560	11	28
		60
		71
124460-11340	4	27
	19	9



Parts No. Index

Parts No.	Fig. No.	Ref. No.
124465-44950	10	49
		50
	19	29
124722-59050	10	54
		57
	14	61
		64
124766-59050	11	18
		40
	15	5
		9
126650-12680	5	27
128300-77920	17	39
128401-77440	18	11
129001-01250	1	4
129001-01340	1	28
	19	2
129001-02931	1	29
129001-12110	5	4
	19	14
129001-32001	9	1
129001-91841	2	11
129004-03010	4	42
129004-03080	5	1
129004-11241	4	3
129004-11251	4	4
129004-11310	4	49
	19	12
129004-11350	4	41
129004-11650	4	10
129004-11900	4	34
129004-12101	5	3
129004-12520	5	12
		24
129004-13109	6	1
		25
129004-13110	6	7
		35
129004-13129	6	14
		46
129004-13200	6	27
		37
		47
		55
		56
	19	17
129004-13500	6	28
		38
129004-21650	8	8
129004-42001	10	1

Parts No.	Fig. No.	Ref. No.
129004-42040	10	15
129004-49610	10	51
129004-49620	10	55
129004-49711	10	52
129004-49721	10	56
129004-55612	15	1
129004-59811	14	47
129004-59821	14	51
129004-59831	14	55
129005-11100	4	22
129005-13600	6	57
129005-22080	8	15
129005-22500	8	17
129005-22900	8	32
129005-22950	8	34
129005-34802	9	16
129005-59830	9	47
129006-35100	9	27
129006-44480	9	32
129006-49040	9	37
129008-11710	4	15
129008-21000	8	1
129008-51390	12	41
129008-77800	4	55
129008-77820	4	56
129012-12530	5	25
129030-44740	10	31
		37
129030-44760	10	32
		35
129044-44500	11	4
		49
129044-44600	11	7
		52
129044-59010	15	4
129044-59100	15	6
129044-59510	15	7
129052-77380	18	3
129052-77422	18	6
129052-79260	18	16
129052-79270	17	16
	18	17
129064-77330	17	30
129067-77340	17	27
	18	26
129100-01580	3	1
		14
	8	2
129100-01640	3	15
129100-01730	3	6

Parts No.	Fig. No.	Ref. No.
129100-11112	4	23
129100-13110	6	19
129100-23910	8	29
129100-42051	10	3
129100-42121	10	4
129100-77910	17	34
129103-49301	9	42
129107-44590	11	6
		51
129129-14580	7	3
129150-01200	1	27
129150-02020	1	6
129150-02450	7	4
129150-02871	1	32
129150-02931	1	24
129150-02941	1	35
129150-03070	4	43
129150-11230	4	11
129150-11280	4	9
129150-11370	4	14
129150-11750	4	13
129150-11810	4	31
129150-13110	6	2
		8
		13
		20
		26
		36
		45
	19	16
129150-14101	7	6
129150-14200	7	1
129150-14400	7	2
129150-23601	8	27
129150-23611	8	30
129150-25301	7	15
129150-32020	9	14
	19	18
129150-35042	9	18
	19	19
129150-35091	9	19
129150-35111	9	30
	19	20
129150-35170	9	31
129150-49811	10	41
	19	27
129150-59120	14	42
129150-59131	14	45
129150-77511	5	8
		16

Parts No.	Fig. No.	Ref. No.
129150-77511	5	30
	19	15
129155-42350	10	25
129155-49801	10	40
129155-51280	13	6
129155-61460	13	25
129175-01770	3	7
129188-08100	11	78
129202-22300	8	21
129211-77920	17	40
129240-13500	6	48
129242-55700	15	15
129242-55720	15	16
129242-55730	15	17
129242-55740	15	18
129242-55750	15	19
129242-55760	15	20
129242-55770	15	21
129242-77010	16	1
129242-77100	16	3
129242-77110	16	4
129242-77120	16	5
129242-77130	16	6
129242-77140	16	7
129242-77150	16	8
129242-77160	16	9
129242-77170	16	10
129242-77180	16	12
129242-77210	16	15
129242-77260	16	19
129242-77270	16	21
129242-77280	16	22
129247-07001	11	1
129247-12500	5	23
129247-12550	5	28
129247-42800	11	2
129247-42810	11	2 -1
129247-44500	11	3
129247-44800	11	13
129247-44910	11	33
129247-44920	11	34
129247-44930	11	35
129247-44950	11	36
129247-44960	11	14
129247-44970	11	15
129247-44980	11	16
129255-61410	13	22
129350-49530	10	42
129400-92430	19	34
129403-42380	10	24



Parts No. Index

Parts No.	Fig. No.	Ref. No.
129410-03990	5	2
129417-33110	9	26
129417-35150	9	29
129423-77710	17	14
129430-26070	7	20
129484-26200	7	25
129484-26210	7	27
129486-01670	3	18
129486-12581	5	7
129486-42021	10	14
	19	23
129486-42140	10	16
	19	24
129486-59551	14	63
129508-33010	9	24
129508-33050	9	25
129508-44550	11	5
		50
129508-49030	9	33
129601-44560	11	31
		63
129601-44610	11	8
		53
129602-49010	11	37
		66
129604-01520	2	4
129604-53000	14	2
129604-53300	14	2 -1
129612-01600	3	2
129612-49040	11	38
		67
129642-49180	9	39
129642-61060	13	91
129647-12600	5	29
129698-77020	16	2
129698-77190	16	13
129698-77200	16	14
129698-77220	16	16
129698-77230	16	17
129698-77250	16	18
129795-01780	3	17
129795-01900	17	1
129795-01950	2	8
129795-02412	1	9
129795-11120	4	24
129795-11180	4	25
129795-21661	8	9
129795-49551	10	43
		46
	19	28

Parts No.	Fig. No.	Ref. No.
129900-07900	4	1
129916-49740	10	11
129946-07000	11	1 A
129950-59311	15	8
129961-59110	15	10
129972-77341	17	28
	18	27
158552-51151	7	17
158552-51571	12	60
		61
158552-51580	12	64
158552-51600	12	74
158552-51670	12	6
158552-51781	12	100
158552-52100	12	125
158552-52310	12	109
158552-52400	12	110
158552-52500	12	126
158552-61061	13	91 -1
158552-61441	13	24
158552-61900	13	82
158553-51551	12	4
158553-51630	12	75
158553-51640	12	77
158553-51660	12	78
158553-51670	12	69
158553-51680	12	79
158553-51770	12	106
158553-61050	13	3
158553-61070	13	4
158557-51570	12	62
158563-51281	12	39
		40
158563-51330	12	50
158600-51270	12	38
158601-51550	12	58
158601-51570	12	63
158601-51650	12	5
158601-51770	12	99
158601-51790	12	101
170004-49160	11	39
171008-03990	9	34
		41
171051-01921	1	5
171056-49120	9	53
171340-21580	8	12
171353-26081	7	24
	19	32
171353-44760	10	28
22117-080000	11	19

Parts No.	Fig. No.	Ref. No.
22190-080002	2	12
	9	48
		50
	19	21
22190-100002	9	51
	19	22
22190-120000	13	64
22190-120002	12	103
		111
		128
22190-180002	12	104
		112
22190-220002	3	10
	19	7
22217-140000	7	18
	12	113
22252-000260	8	22
22276-000060	11	2 -1C
22312-050140	12	114
22351-030010	8	7
22351-050010	12	115
22351-060012	4	36
22512-070140	7	7
	8	5
22857-500100	4	50
		51
23000-060000	5	18
		32
23010-038000	11	41
23010-044000	11	42
23061-070230	11	29
		61
		72
23080-015000	9	36
		40
23297-120081	11	43
23414-080000	10	18
	19	26
23857-030000	9	49
23876-010000	10	12
23876-020000	10	13
23887-120002	12	105
	13	66
24105-060064	7	30
24311-000070	12	117
24311-000120	4	53
	19	13
24311-000160	15	22
24311-000320	2	13
	4	54

Parts No.	Fig. No.	Ref. No.
24311-000320	19	5
24321-000750	15	23
24321-000800	7	21
	19	31
24321-000850	7	31
	19	33
24341-000240	2	23
	19	6
24356-010180	12	118
24356-010200	12	72
		119
24372-000150	12	73
25132-003600	10	26
26013-080222	5	19
		20
		33
26014-060122	11	11
		56
26106-060102	12	120
	13	68
26106-060122	10	30
26106-060142	13	88
		89
26106-060162	2	24
	11	20
		44
26106-060202	13	90
26106-060302	10	39
26106-060402	6	62
	10	29
26106-060502	10	33
		36
26106-080122	10	19
26106-080142	7	8
26106-080162	2	14
		15
		21
	3	11
	4	2
	5	34
	10	20
	11	21
		45
		45 -1
		45 -2
26106-080202	12	131
	5	5
		9
		21
		35



Parts No. Index

Parts No.	Fig. No.	Ref. No.
26106-080202	9	43
	11	46
		46 -1
	12	132
26106-080222	10	44
26106-080252	3	12
	4	37
	6	32
		42
	7	22
26106-080302	2	16
	15	3
26106-080352	3	19
	4	38
	9	23
	11	22
26106-080402	7	14
26106-080452	3	13
		13 -1
	10	21
26106-080502	3	20
	4	39
26106-080552	2	17
26106-080602	10	22
26106-080802	5	6
		22
26106-100202		36
	6	52
	11	23
		47
		77
		80
26106-100302	7	23
	11	81
26106-100452	7	32
26116-120202	16	24
26206-100252	3	4
26206-100302	3	5
26306-080002	2	18
	6	6
		12
		18
		24
		33
		34
		43
		44
		53
		54
		66

Parts No.	Fig. No.	Ref. No.
26306-080002	11	48
26306-100002	17	29
	18	28
26347-040002	6	63
26347-060002	6	64
26366-060002	9	52
26366-080002	11	24
26450-060252	9	15
26450-080282	7	33
26450-080452	12	122
26557-040352	6	65
26756-060002	13	69
26776-140002	7	19
	12	123
27241-120000	1	14
27241-300000	1	10
27241-400000	4	21
27310-080001	4	28
729005-01560	1	1
729005-92850	19	1
729285-51300	12	1
729285-51340	12	1 -1
729285-51341	12	1 -2
729285-51400	12	1 -3
729402-23100	8	23
729604-53200	14	1
729604-53400	14	1 -1
729652-01500	2	1
977770-1207F	19	35
X2114535200	16	20
X9490561001	17	3
	18	2

Parts No.	Fig. No.	Ref. No.
-----------	----------	----------

Parts No.	Fig. No.	Ref. No.
-----------	----------	----------