

0CV10-M95900EN

PREFACE

- 1.This Parts Catalog carries all parts incorporated in YANMAR Model 3TNV84T-GKM engine manufactured since March, 2004.
- 2.Each illustration corresponds to the parts list on the following page.
- 3.When ordering parts,clearly write down the engine model and serial number,as well as the name and number of each part in your order sheet. This will help insure reliable delivery of the parts you have ordered.

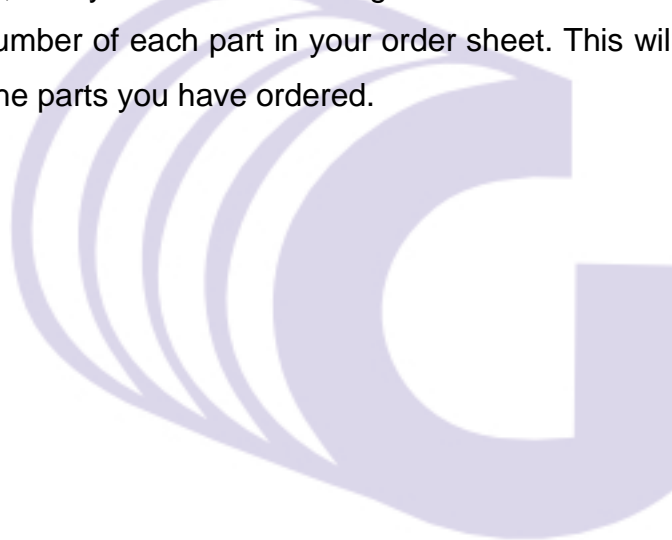


Fig. No. Fig. Name

ENGINE SECTION (3TNV84T-GKM)

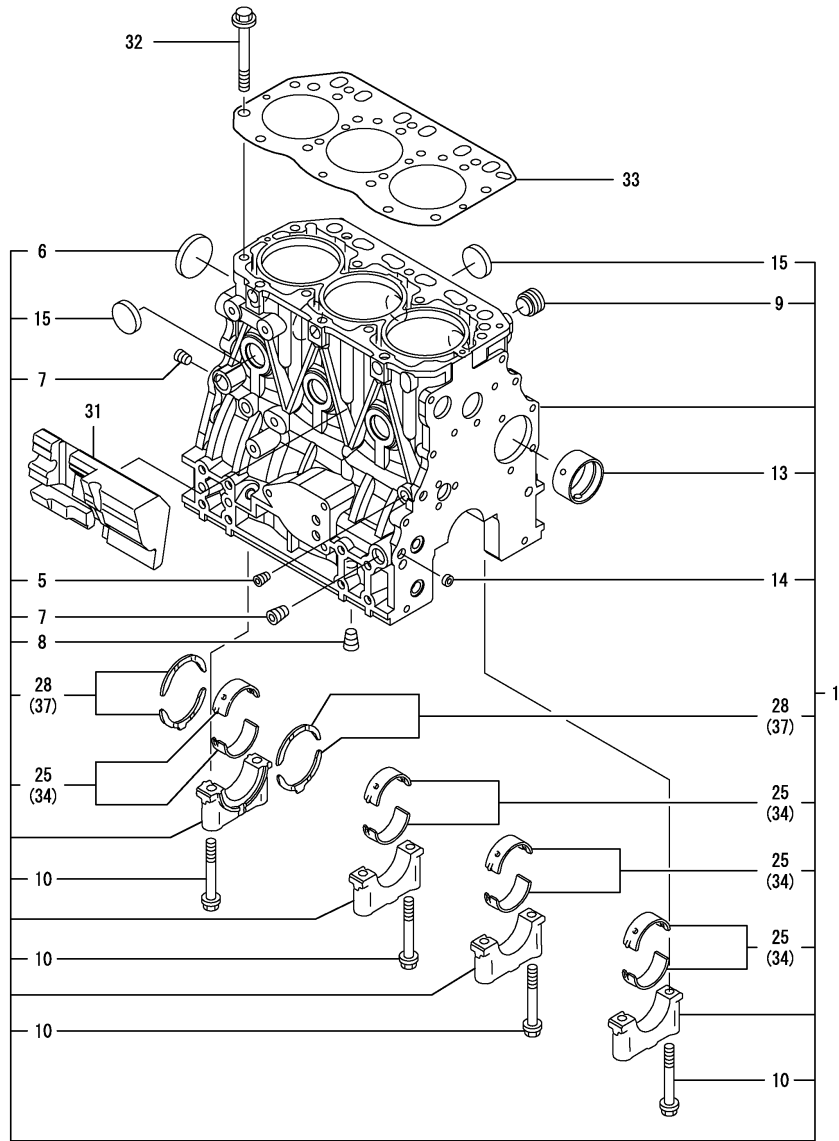
1. CYLINDER BLOCK
2. GEAR HOUSING
3. MOUNTING FLANGE & OIL SUMP
4. CYLINDER HEAD & BONNET
5. SUCTION MANIFOLD
6. CAMSHAFT & DRIVING GEAR
7. TURBINE
8. CRANKSHAFT & PISTON
9. LUB.OIL SYSTEM
10. LUB.OIL LINE
11. COOLING SEA WATER SYSTEM
12. COOLING FRESH WATER SYSTEM
13. COOLING FRESH WATER COOLER
14. FUEL INJECTION PUMP
15. FUEL INJECTION VALVE
16. FUEL LINE
17. STARTING MOTOR
18. GENERATOR
19. GASKET SET
20. FUEL INJECTION PUMP(INNER PARTS)
21. GOVERNOR(INNER PARTS)

Fig. No. Fig. Name



(A)=3TNV84T-GKM
(B)=
(C)=

(D)=
(E)=
(F)=



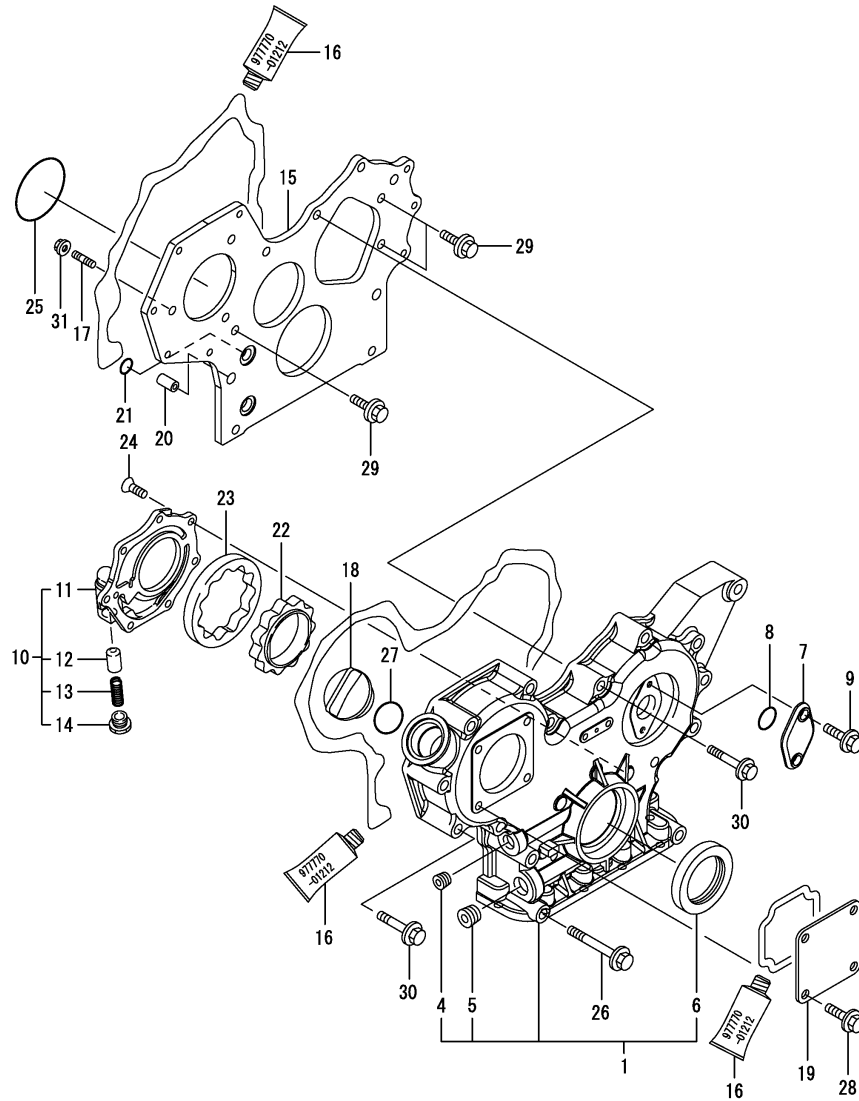
No.	Lev.	Parts No.	Description	Q'ty						I	R
				(A)	(B)	(C)	(D)	(E)	(F)		
1	1	729006-01560	BLOCK ASSY, CYLINDER	1							
5	2	124060-01050	PLUG, PT1/8	1							
6	2	129001-01250	PLUG, 50	1							
7	2	124160-01910	PLUG, PT1/4	2							
8	2	124160-01910	PLUG, PT1/4	1							
9	2	171051-01921	PLUG, NPTF1	1							
10	2	129150-02020	BOLT, METAL CAP	8							
13	2	129795-02411	BUSH, CAMSHAFT	1							
14	2	27241-120000	PLUG, 12	2							
15	2	27241-300000	PLUG 30	6							
25	2	129001-02930	BEARING, MAIN	4							3
28	2	129150-02930	BEARING, THRUST	2							
31	1	129004-01190	SPACER	1							
32	1	129150-01200	BOLT, HEAD	14							
33	1	129002-01331	GASKET, HEAD	1							
34	1	129150-02870	BEARING, 0.25 US	4							1
37	1	129150-02940	BEARING, THRUST 0.25	1							2

Remarks

- (1) UNDER-SIZE(U.S=0.25)PART.
- (2) OVER-SIZE(O.S=0.25)PART.
- (3) REPAIR PART.

(A)=3TNV84T-GKM
(B)=
(C)=

(D)=
(E)=
(F)=

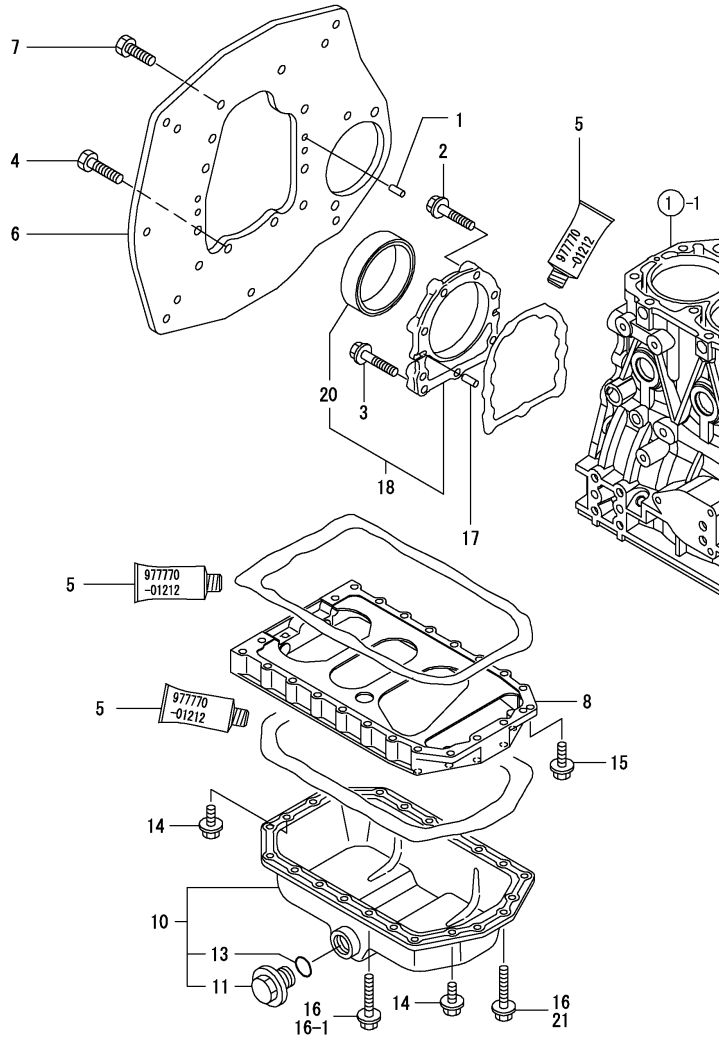


No.	Lev.	Parts No.	Description	Q'ty						I	R
				(A)	(B)	(C)	(D)	(E)	(F)		
1	1	719802-01500	CASE ASSY, GEAR	1							
4	2	23876-030000	PLUG, R03	1							
5	2	23876-040000	PLUG, R04	1							
6	2	129795-01800	SEAL, OIL	1							
7	1	121023-01550	COVER	1							
8	1	24341-000240	O-RING, 1AS24.0	1							
9	1	26106-060162	BOLT, M6X 16 PLATED	2							
10	1	119802-32100	COVER ASSY	1							
11	2	119802-32070	COVER	1							
12	2	129900-32130	VALVE, RELIEF	1							
13	2	129418-32320	SPRING	1							
14	2	129001-32330	PLUG	1							
15	1	129006-01520	FLANGE, GEAR CASE	1							
16	1	977770-01212	GASKET, LIQUID	1							1
17	1	119802-01560	STUD, M8X25	3							
18	1	124160-01751	COVER, FILLER	1							
19	1	124240-01871	COVER	1							
20	1	129795-01950	PIPE, KNOCK L=18	2							
21	1	119609-32040	O-RING, P16	4							
22	1	119802-32111	ROTOR, INNER	1							
23	1	119802-32120	ROTOR, OUTER	1							
24	1	119802-32130	SCREW, M6X16	7							
25	1	121850-51960	O-RING	1							
26	1	129001-91841	BOLT, M8X85	3							
27	1	24311-000320	O-RING, 1AP32.0	1							
28	1	26106-080162	BOLT, M8X 16 PLATED	4							
29	1	26106-080162	BOLT, M8X 16 PLATED	3							
30	1	26106-080552	BOLT, M8X 55 PLATED	12							
31	1	26306-080002	NUT, M8	3							

Remarks
(1) OPTIONAL PART.

(A)=3TNV84T-GKM
 (B)=
 (C)=

(D)=
 (E)=
 (F)=



No.	Lev.	Parts No.	Description	Q'ty						I	R
				(A)	(B)	(C)	(D)	(E)	(F)		
1	1	129100-01580	PIN, M8X16	2							
2	1	129486-01670	BOLT, M8X30	6							
3	1	26106-080352	BOLT, M8X 35 PLATED	3							
4	1	26206-100252	BOLT, M10X 25 PLATED	4							
5	1	977770-01212	GASKET, LIQUID	1							1
6	1	129176-01601	FLANGE, MOUNTING	1							
7	1	26206-100202	BOLT, M10X 20 PLATED	6							
8	1	129100-01730	SPACER, OIL SUMP	1							
10	1	129175-01770	SUMP ASSY, OIL	1							
11	2	171301-01640	PLUG, 22	1							
13	2	24341-000250	O-RING, 1AS25.0	1							
14	1	26106-080162	BOLT, M8X 16 PLATED	4							
15	1	26106-080252	BOLT, M8X 25 PLATED	2							
16	1	26106-080452	BOLT, M8X 45 PLATED	20							
16-1	1	26106-080452	BOLT, M8X 45 PLATED	16							K
(A=FROM 1ST)											
17	1	129100-01580	PIN, M8X16	2							
18	1	129100-01640	CASE ASSY, OIL SEAL	1							
20	2	129795-01780	SEAL, OIL	1							
21	1	26106-080502	BOLT, M8X 50 PLATED	4							W
(A=FROM 1ST)											

Remarks
 (1) OPTIONAL PART.

(A)=3TNV84T-GKM

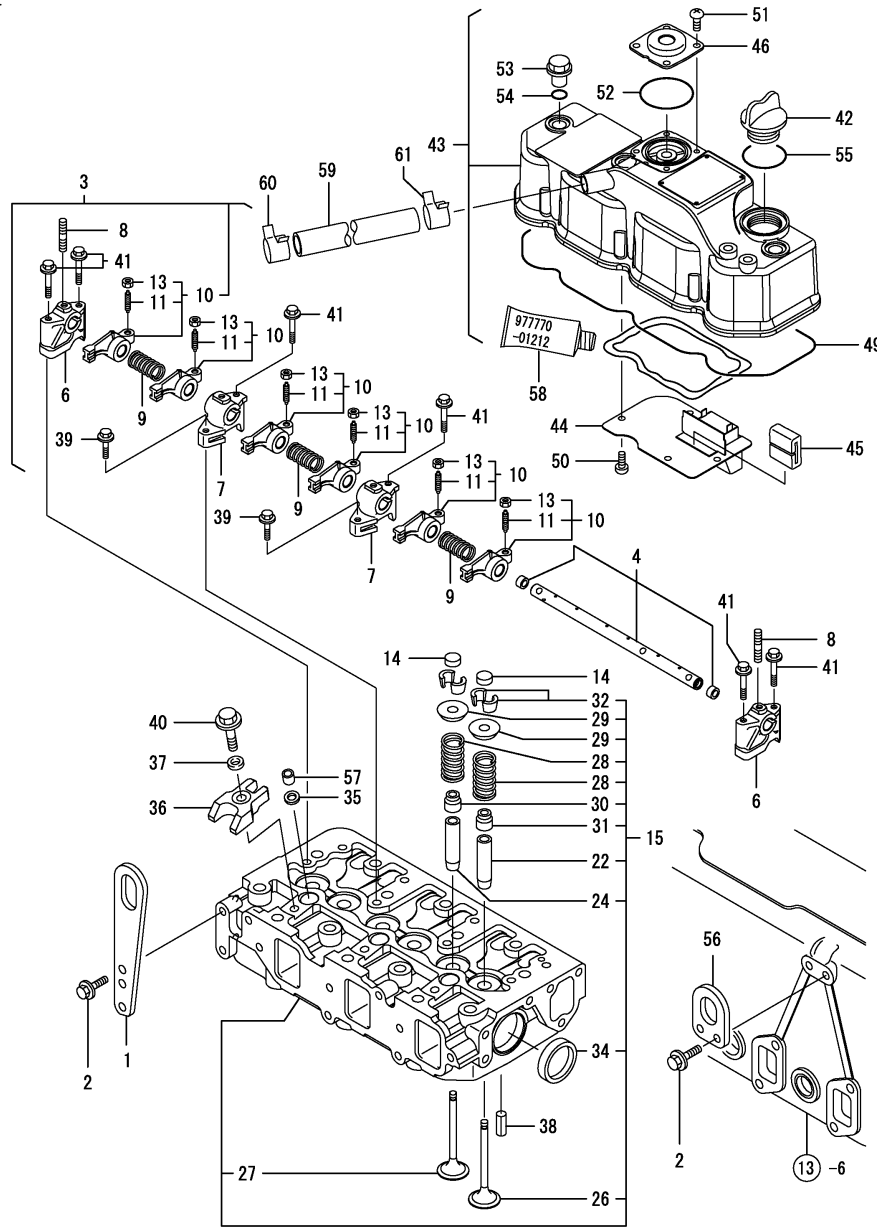
(B)=

(C)=

(D)=

(E)=

(F)=



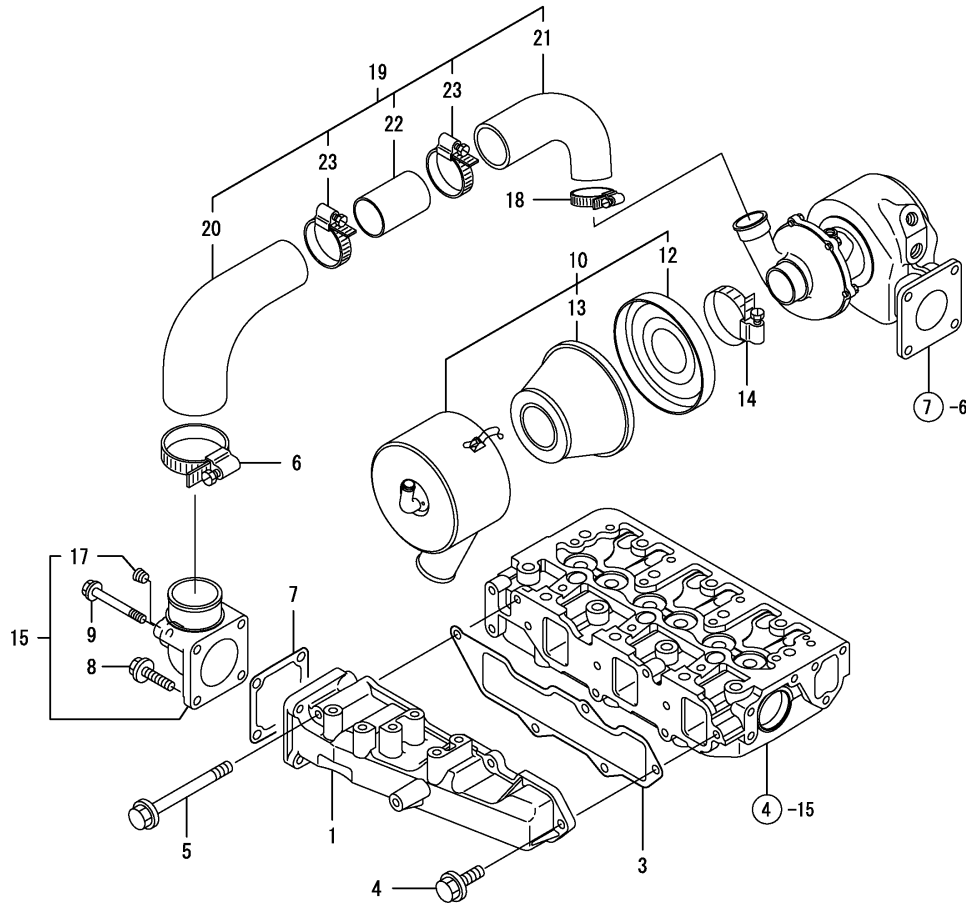
No.	Lev.	Parts No.	Description	Q'ty						I	R
				(A)	(B)	(C)	(D)	(E)	(F)		
1	1	129900-07900	LIFTER	1							
2	1	26106-080162	BOLT, M8X 16 PLATED	4							
3	1	129004-11241	SHAFT ASSY, ROCKER	1							
4	2	129004-11251	SHAFT, ROCKER ARM	1							
6	2	119802-11260	SUPPORT, ROCKER ARM	2							
7	2	119802-11270	SUPPORT, ROCKER ARM	2							
8	2	119802-11280	STUD	3							
9	2	129150-11280	SPRING	3							
10	2	129004-11650	ARM, ROCKER	6							
11	3	129150-11230	SCREW, VALVE ADJUST	6							
13	3	129150-11750	NUT, M8	6							
14	1	129150-11370	CAP, VALVE	6							
15	1	129006-11700	HEAD ASSY, CYLINDER	1							
22	2	120130-11860	GUIDE, VALVE	3							1
24	2	129150-11810	GUIDE, VALVE	3							1
26	2	129004-11100	VALVE, INTAKE	3							
27	2	129100-11130	VALVE, EXHAUST	3							
28	2	129795-11120	SPRING, VALVE	6							
29	2	129795-11180	RETAINER, SPRING	6							
30	2	121400-11340	SEAL, VALVE STEM	3							
31	2	124460-11340	SEAL, VALVE STEM	3							
32	2	27310-080001	COTTER, 8	6							
34	2	27241-400000	PLUG, 40	2							
35	1	119625-11880	SEAT, NOZZLE	3							
36	1	129004-11900	RETAINER, NOZZLE	3							
37	1	120270-54410	WASHER, INJECTOR	3							
38	1	22351-060012	PIN, SPRING 6.0X12	2							
39	1	26106-080252	BOLT, M8X 25 PLATED	2							
40	1	26106-080352	BOLT, M8X 35 PLATED	3							
41	1	26106-080502	BOLT, M8X 50 PLATED	6							
42	1	124160-01751	COVER, FILLER	1							
43	1	129006-11350	BONNET ASSY, HEAD	1							
44	2	129004-03010	PLATE	1							
45	2	129150-03070	BAFFLE, BREATHER	1							
46	2	129006-03120	COVER, DIAPHRAGM	1							
49	2	129004-11310	GASKET, BONNET	1							
50	2	22857-500100	SCREW, 5X10	4							
51	2	22857-500100	SCREW, 5X10	4							
52	2	24341-000400	O-RING, 1AS40.0	1							
53	1	124160-11360	KNOB	3							
54	1	24311-000120	O-RING, 1AP12.0	3							
55	1	24311-000320	O-RING, 1AP32.0	1							
56	1	129470-07230	LIFTER	1							
57	1	119802-11870	PROTECTOR, NOZZLE	3							
58	1	977770-01212	GASKET, LIQUID	1							2
59	1	129171-03090	PIPE, BREATHER	1							
60	1	129301-03660	CLAMP 16	1							
61	1	129960-03990	CLIP, HOSE 22	1							

Remarks

- (1) REPAIR PART.
- (2) OPTIONAL PART.

(A)=3TNV84T-GKM
(B)=
(C)=

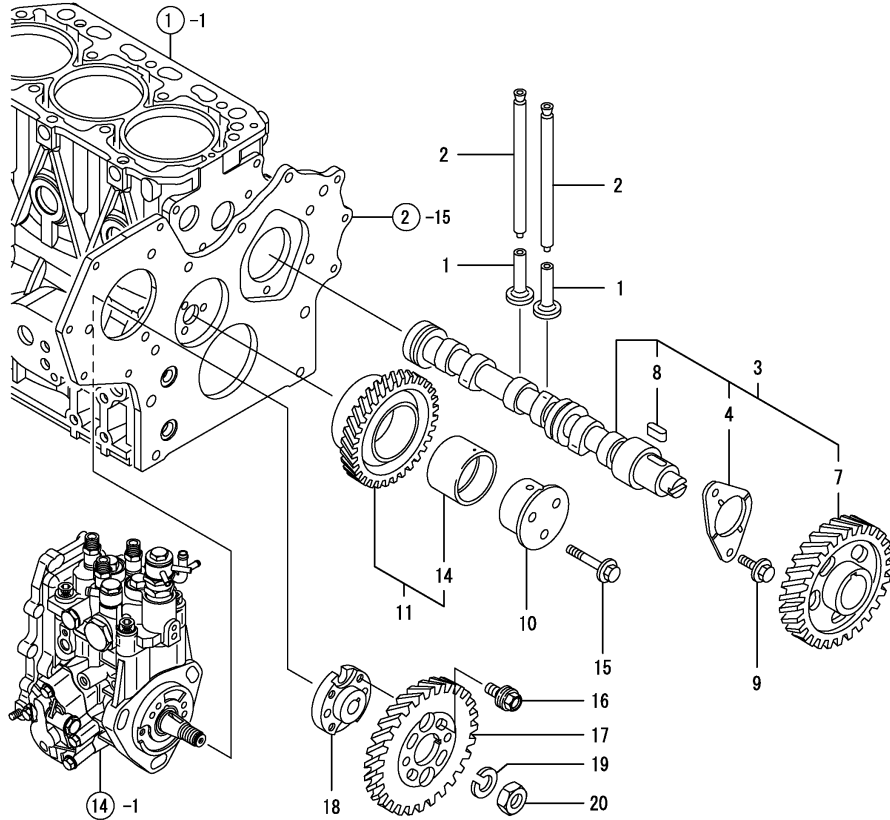
(D)=
(E)=
(F)=



No.	Lev.	Parts No.	Description	Q'ty						I	R
				(A)	(B)	(C)	(D)	(E)	(F)		
1	1	129006-12100	MANIFOLD, AIR INTAKE	1							
3	1	129001-12110	GASKET, MANIFOLD	1							
4	1	26106-080202	BOLT, M8X 20 PLATED	4							
5	1	26106-080802	BOLT, M8X 80 PLATED	1							
6	1	23000-060000	CLAMP, 60	1							
7	1	129150-77511	GASKET	1							
8	1	26106-080202	BOLT, M8X 20 PLATED	2							
9	1	26106-080652	BOLT, M8X 65 PLATED	2							
10	1	129477-12500	SILENCER ASSY	1							
12	2	129477-12530	PLATE	1							
13	2	124770-12540	ELEMENT	1							
14	1	23000-048000	CLAMP, 48	1							
15	1	129649-12210	JOINT ASSY	1							
17	2	23876-010000	PLUG, R01	1							
18	1	23000-048000	CLAMP, 48	1							
19	1	129649-12850	HOSE ASSY, INTAKE	1							
20	2	129649-12810	PIPE, AIR INTAKE	1							
21	2	129649-12820	PIPE, AIR INTAKE	1							
22	2	129649-12830	JOINT	1							
23	2	23000-054000	CLAMP, 54	2							

(A)=3TNV84T-GKM
 (B)=
 (C)=

(D)=
 (E)=
 (F)=

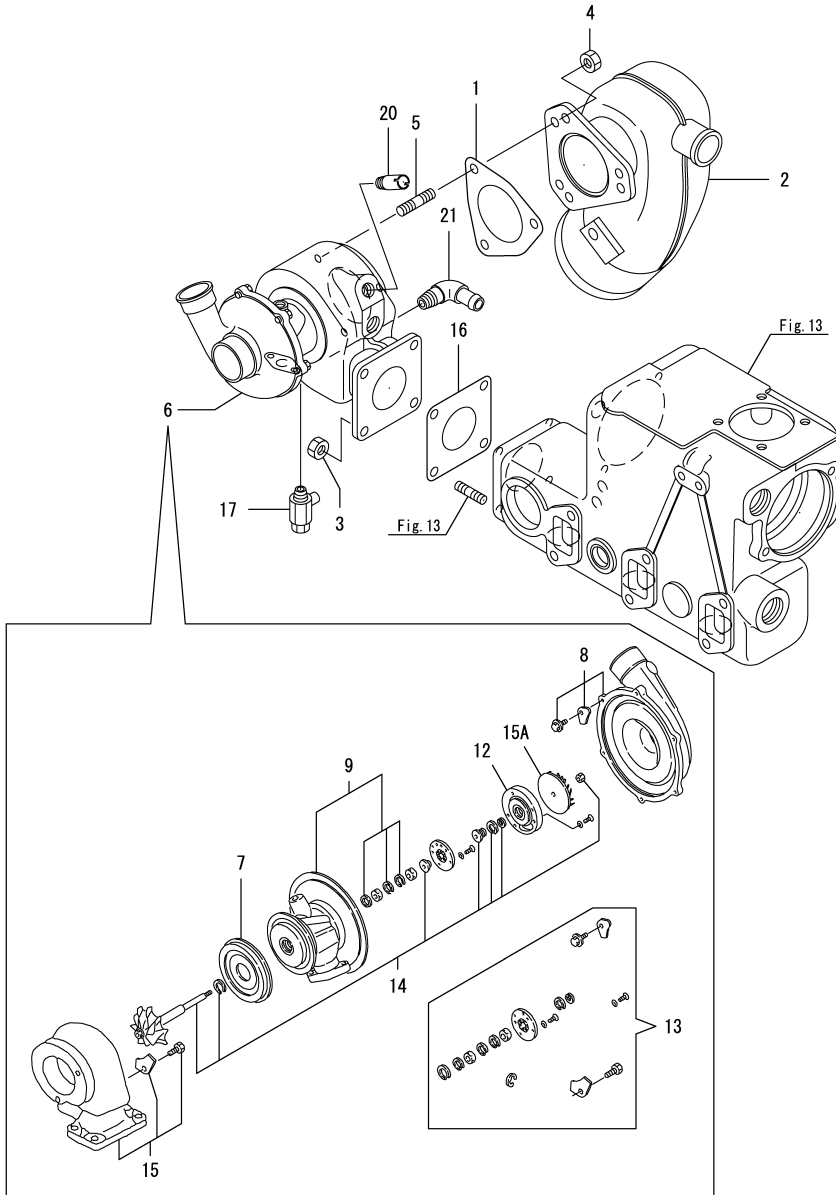


No.	Lev.	Parts No.	Description	Q'ty						I	R
				(A)	(B)	(C)	(D)	(E)	(F)		
1	1	129150-14200	TAPPET	6							
2	1	129150-14400	ROD, PUSH L=178	6							
3	1	129004-14580	CAMSHAFT ASSY	1							
4	2	129150-02450	BEARING, THRUST	1							
7	2	129150-14101	GEAR, CAMSHAFT	1							
8	2	22512-070140	KEY, 7X 14	1							
9	1	26106-080142	BOLT, M8X 14 PLATED	2							
10	1	119802-25051	SHAFT, IDLE	1							
11	1	119802-25100	GEAR ASSY, IDLE	1							
14	2	119802-25070	BUSH, IDLE GEAR	1							1
15	1	26106-080402	BOLT, M8X 40 PLATED	3							
16	1	129150-25301	BOLT	4							
17	1	119802-25901	GEAR, PUMP	1							
18	1	158552-51151	FLANGE	1							
19	1	22217-140000	WASHER, SPRING 14	1							
20	1	26776-140002	NUT, LOCK M14	1							

Remarks
 (1) REPAIR PART.

(A)=3TNV84T-GKM
(B)=
(C)=

(D)=
(E)=
(F)=

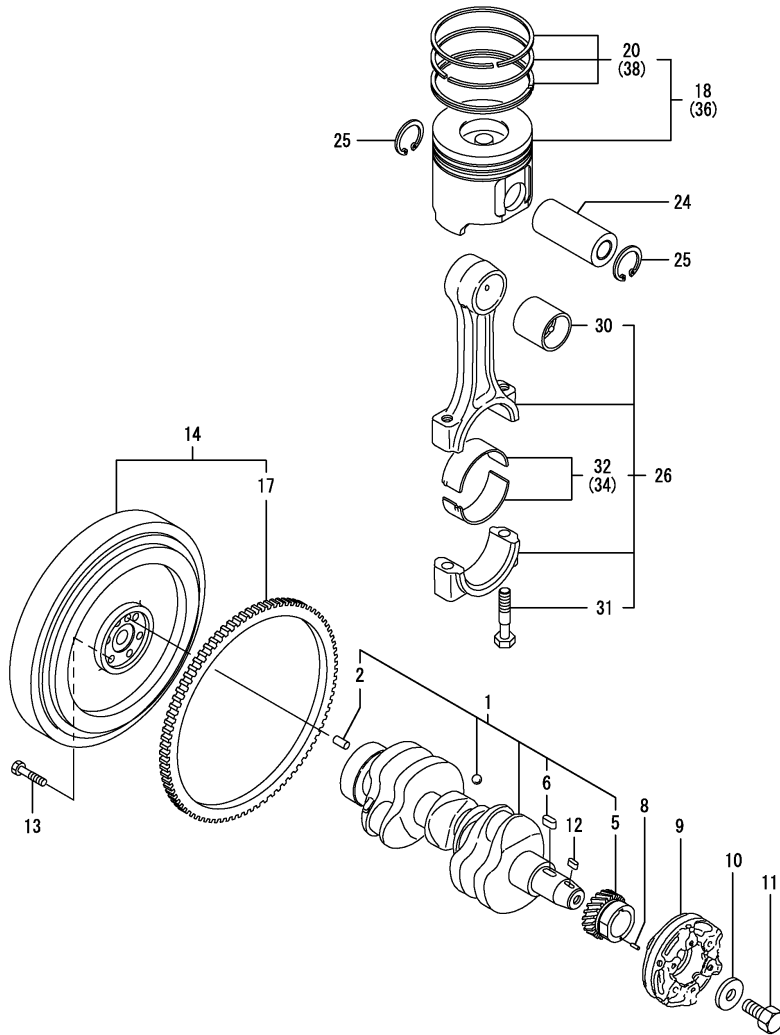


No.	Lev.	Parts No.	Description	Q'ty						I	R
				(A)	(B)	(C)	(D)	(E)	(F)		
1	1	129472-13520	GASKET	1							
2	1	129579-13551	ELBOW	1							
3	1	26703-080002	NUT, M8	4							
4	1	26703-080002	NUT, M8	4							
5	1	128170-13600	STUD, M8X31	3							
6	1	129579-18010	TURBOCHARGER ASSY	1							
7	2	129403-18720	PROTECTOR, HEAT	1							
8	2	129579-18780	HOUSING ASSY	1							
9	2	129403-18800	HOUSING ASSY, BEARING	1							
12	2	129579-18820	PLATE ASSY, SEAL	1							
13	2	129579-18830	OVERHAUL KIT	1							1
14	2	129579-18850	ROTOR ASSY, TURBO	1							
15	2	129579-18860	HOUSING ASSY, TURBO	1							
15A	2	129403-18570	WHEEL	1							
16	1	129792-18091	GASKET	1							
17	1	129670-49290	COCK ASSY, R1/8	1							
20	1	104407-44480	JOINT	1							
21	1	171007-49400	JOINT	1							

Remarks
(1)Overhaul kit.

(A)=3TNV84T-GKM
 (B)=
 (C)=

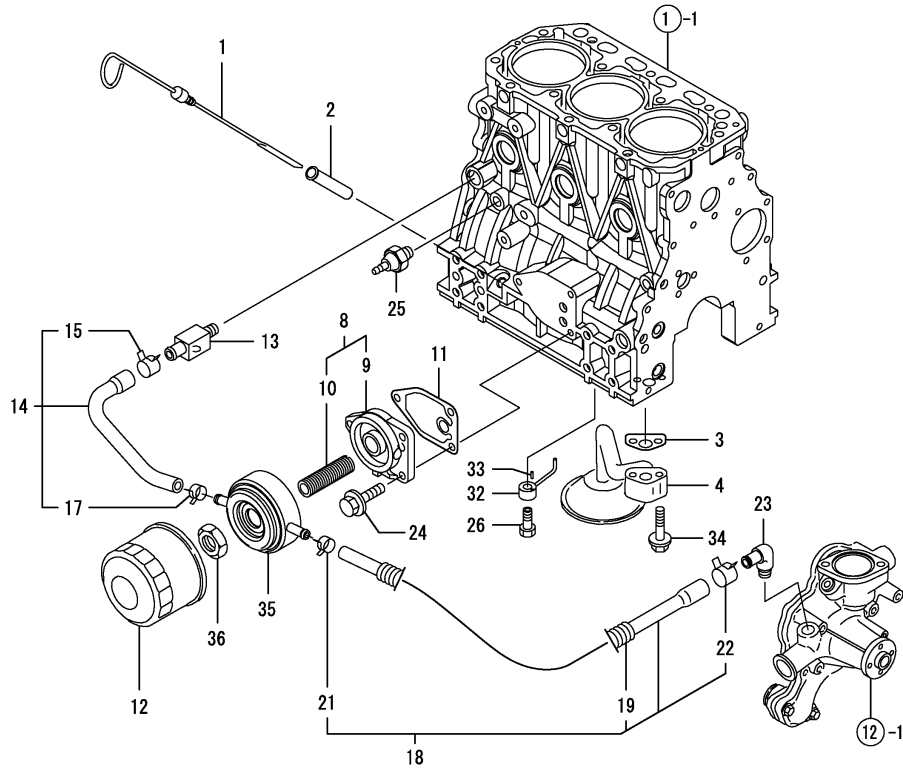
(D)=
 (E)=
 (F)=



No.	Lev.	Parts No.	Description	Q'ty						I	R
				(A)	(B)	(C)	(D)	(E)	(F)		
1	1	129004-21001	CRANKSHAFT ASSY	1							
2	2	129100-01580	PIN, M8X16	1							
5	2	119802-21201	GEAR, CRANKSHAFT	1							
6	2	22512-070140	KEY, 7X 14	1							
8	1	22351-030010	PIN, SPRING 3.0X10	1							
9	1	129175-21650	V-PULLEY	1							
10	1	129795-21661	WASHER	1							
11	1	121850-21680	BOLT	1							
12	1	22512-070160	KEY, 7X 16	1							
13	1	121111-21501	BOLT, FLYWHEEL	6							
14	1	129189-21570	FLYWHEEL ASSY	1							
17	2	124550-21600	GEAR, RING	1							
18	1	129004-22080	PISTON ASSY	3							
18-1	1	129007-22080	PISTON ASSY	3							N
(A=E13009)											
20	2	129004-22500	RING SET, PISTON	3							
20-1	2	129007-22500	RING SET, PISTON	3							N
(A=E13009)											
24	1	129202-22300	PIN, PISTON D26 L70	3							
25	1	22252-000260	RING, 26	6							
26	1	729402-23100	ROD ASSY, CONNECTING	3							
30	2	129100-23910	BEARING, PISTON PIN	3							1
31	2	121550-23200	BOLT, CONNECTING ROD	6							
32	2	129150-23600	BEARING, CRANK PIN	3							
34	1	129150-23610	BEARING, 0.25 US	3							2
36	1	129004-22900	PISTON ASSY, 0.25 OS	3							3
36-1	1	129007-22900	PISTON ASSY, 0.25 OS	3							N 3
(A=E13009)											
38	2	129004-22950	RING SET, 0.25 OS	3							3
38-1	2	129007-22950	RING SET, 0.25 OS	3							N 3
(A=E13009)											

Remarks

- (1) REPAIR PART.
- (2) UNDER-SIZE(U.S=0.25)PART.
- (3) OVER-SIZE(O.S=0.25)PART.



(A)=3TNV84T-GKM
(B)=
(C)=

(D)=
(E)=
(F)=

No.	Lev.	Parts No.	Description	Q'ty						I	R
				(A)	(B)	(C)	(D)	(E)	(F)		
1	1	171420-34800	DIPSTICK, OIL	1							
2	1	121520-34810	GUIDE, DIPSTICK	1							
3	1	129150-35041	GASKET	1							
4	1	129150-35091	PIPE ASSY, OIL INLET	1							
8	1	129006-35100	BRACKET ASSY, FILTER	1							
9	2	119802-35110	BRACKET, FILTER	1							
10	2	129417-35150	STUD, L=67	1							
11	1	129150-35111	GASKET	1							
12	1	129150-35153	FILTER 80X80L	1							1
13	1	129006-44480	JOINT	1							
14	1	129508-49030	PIPE ASSY, WATER	1							
15	2	171008-03990	CLIP, HOSE 18.5	1							
17	2	23080-015000	CLAMP, 15	1							
18	1	129006-49040	PIPE ASSY, WATER	1							
19	2	123951-03330	TUBE, CORRUGATED	1							
21	2	23080-015000	CLAMP, 15	1							
22	2	23080-018000	CLAMP, 18	1							
23	1	129103-49301	ELBOW, PT1/4	1							
24	1	26106-080202	BOLT, M8X 20 PLATED	3							
25	1	114250-39450	SWITCH, 0.5KG	1							
26	1	129792-39410	VALVE ASSY, CHECK	3							
32	1	129553-39650	NOZZLE	3							
33	1	22351-030010	PIN, SPRING 3.0X10	3							
34	1	26106-080352	BOLT, M8X 35 PLATED	2							
35	1	129508-33010	COOLER ASSY, OIL	1							
36	1	129417-33110	NUT	1							

Remarks

(1) REPAIR PART.

(A)=3TNV84T-GKM

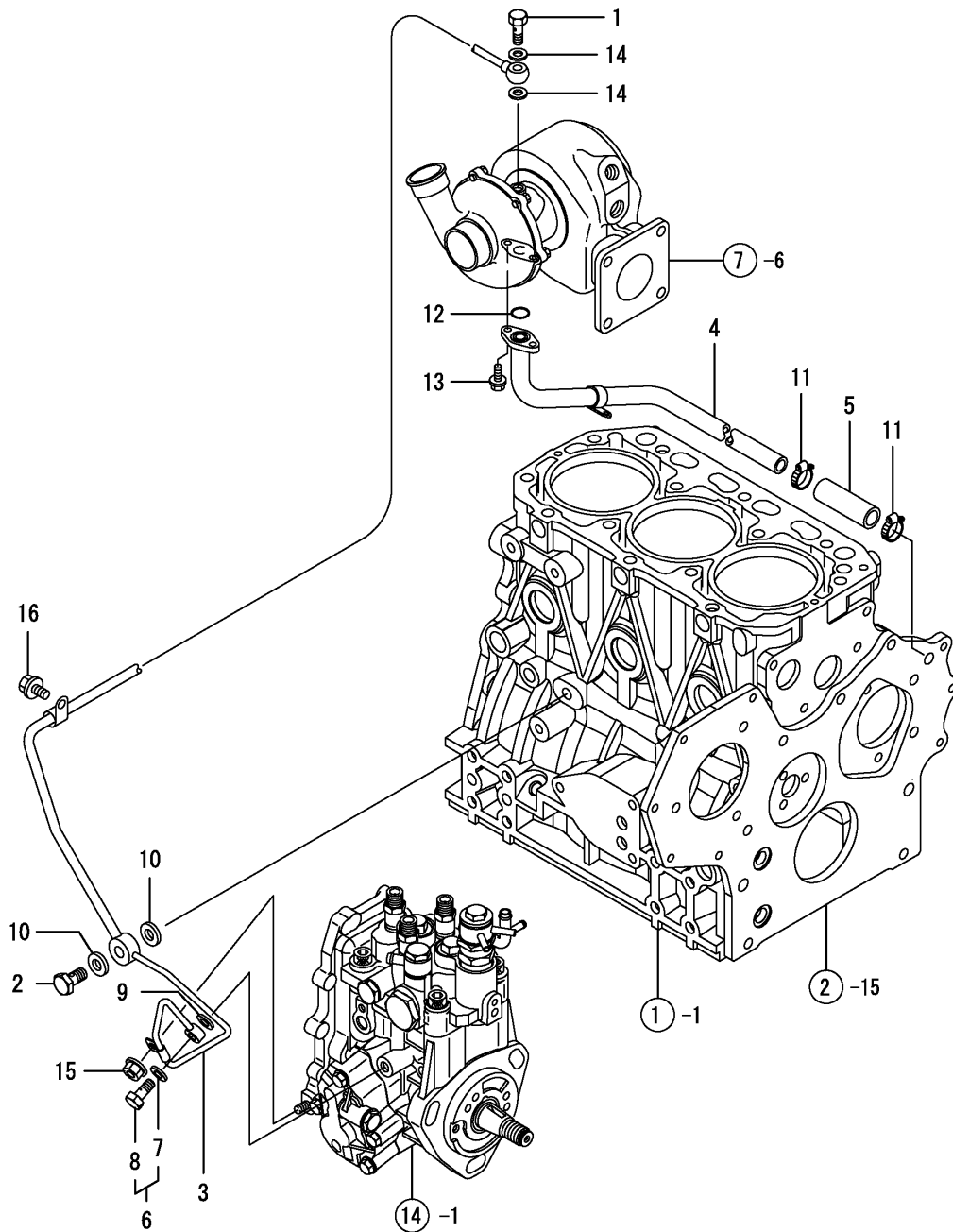
(B)=

(C)=

(D)=

(E)=

(F)=



No.	Lev.	Parts No.	Description	Q'ty						I	R
				(A)	(B)	(C)	(D)	(E)	(F)		
1	1	105010-39140	BOLT, PIPE JOINT	1							
2	1	124160-39140	BOLT, PIPE JOINT M10	1							
3	1	129046-39450	PIPE ASSY, OIL	1							
4	1	129176-39610	PIPE, OIL	1							
5	1	129403-39610	JOINT, RUBBER	1							
6	1	129005-59830	BOLT ASSY, JOINT M8	1							
7	2	22190-080002	WASHER, SEAL 6	1							
8	2	23857-030000	BOLT, JOINT 3	1							
9	1	22190-080002	WASHER, SEAL 6	1							
10	1	22190-100002	WASHER, SEAL 10	2							
11	1	23000-022000	CLAMP, 22	2							
12	1	24314-000160	O-RING, 4CP16.0	1							
13	1	26106-060162	BOLT, M6X 16 PLATED	2							
14	1	23414-080000	GASKET, 8X1.0	2							
15	1	26366-060002	NUT, M6	1							
16	1	26106-080122	BOLT, M8X 12 PLATED	1							

(A)=3TNV84T-GKM

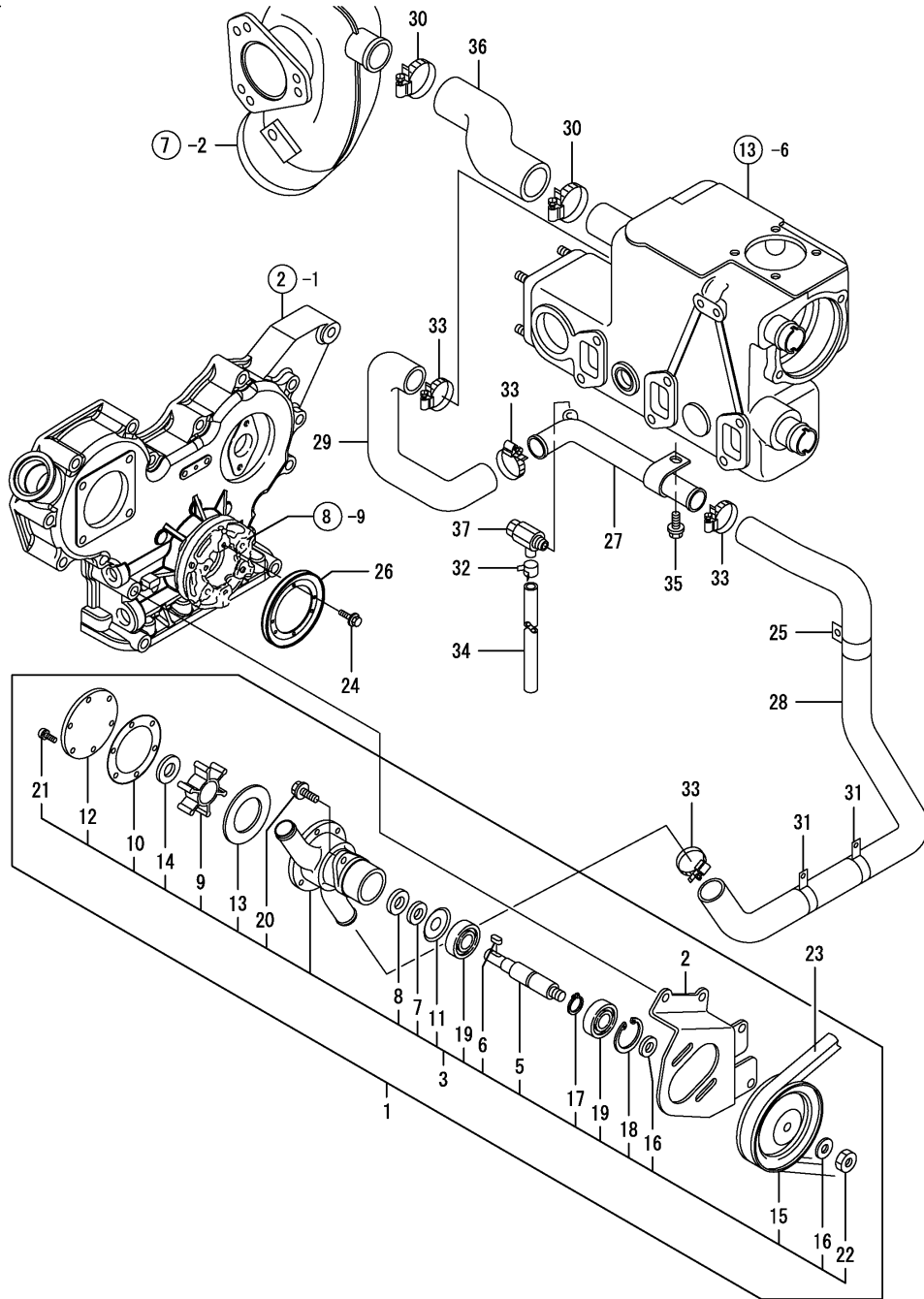
(B)=

(C)=

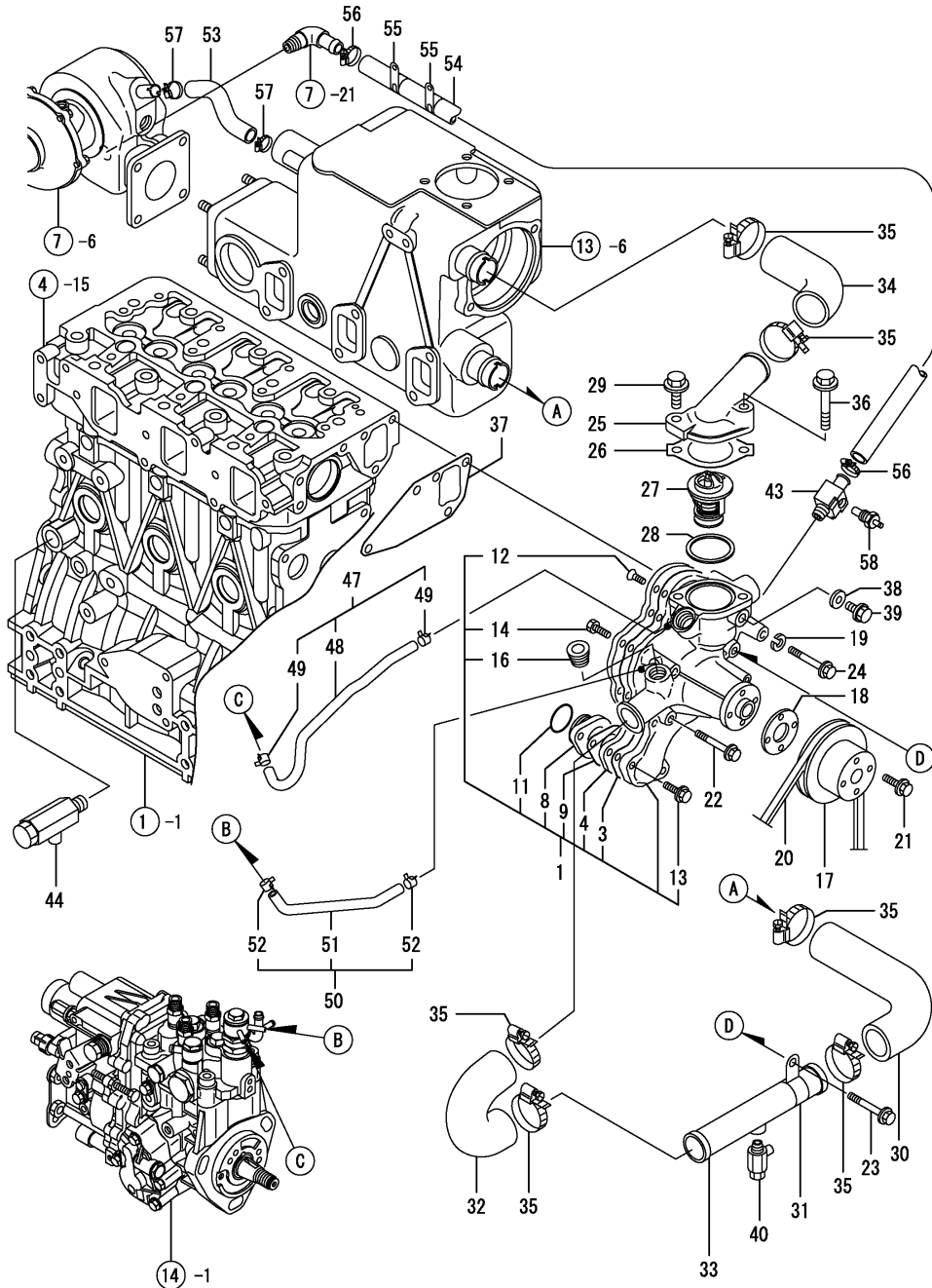
(D)=

(E)=

(F)=



No.	Lev.	Parts No.	Description	Q'ty						I	R
				(A)	(B)	(C)	(D)	(E)	(F)		
1	1	129647-42500	PUMP ASSY, WATER	1							
2	2	129647-42150	BRACKET, PUMP	1							
3	2	129579-42501	PUMP ASSY, WATER	1							
5	3	121575-42021	SHAFT, IMPELLER	1							
6	3	124223-42040	KEY	1							
7	3	124223-42070	PIECE	1							
8	3	124223-42080	SEAL, TC13X28X7	1							
9	3	124223-42091	IMPELLER	1							
10	3	124223-42110	GASKET, WATER PUMP	1							
11	3	121575-42120	COVER, BEARING	1							
12	3	121575-42150	COVER	1							
13	3	129579-42160	PLATE	1							
14	3	129579-42190	COVER	1							
15	3	124070-42400	V-PULLEY	1							
16	3	124070-42420	WASHER	2							
17	3	22242-000150	RING, 15	1							
18	3	22252-000350	RING, 35	1							
19	3	24107-062024	BEARING, BALL 6202ZZ	2							
20	3	26014-080162	BOLT, M8X 16	2							
21	3	26113-040088	BOLT, M4X 8	6							
22	3	129579-42590	NUT, M8	1							
23	1	104214-42780	V-BELT, HM30	1							
24	1	26106-060082	BOLT, M6X 8 PLATED	4							
25	1	127610-03270	RETAINER	1							
26	1	104407-21600	V-PULLEY	1							
27	1	129080-49010	PIPE, WATER	1							
28	1	171487-49010	PIPE, WATER	1							
29	1	129475-49020	PIPE, WATER	1							
30	1	23000-035000	CLAMP, 35	2							
31	1	129579-49460	RETAINER, D32	2							
32	1	124460-77680	RETAINER	1							
33	1	23000-035000	CLAMP, 35	4							
34	1	23061-070300	PIPE, 7X 300	1							
35	1	26106-080162	BOLT, M8X 16 PLATED	1							
36	1	129472-49040	PIPE, WATER	1							
37	1	129670-49290	COCK ASSY, R1/8	1							



(A)=3TNV84T-GKM

(B)=

(C)=

(D)=

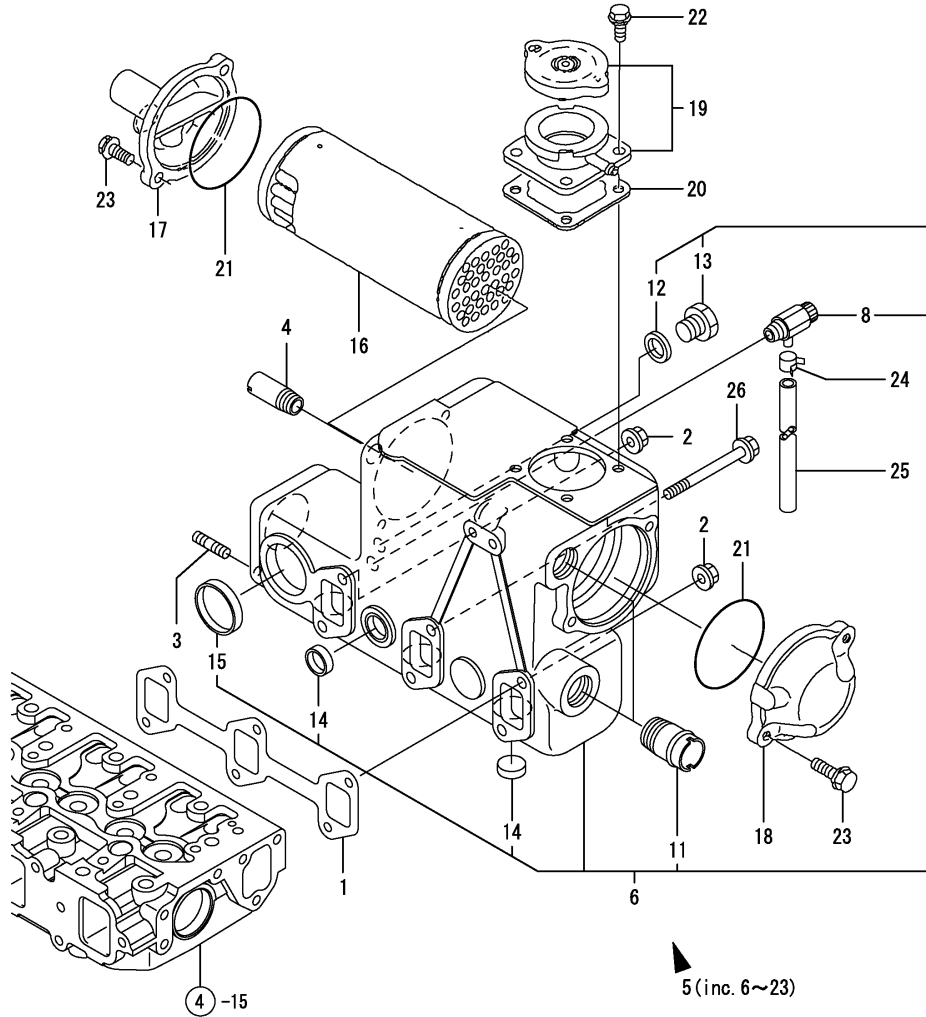
(E)=

(F)=

No.	Lev.	Parts No.	Description	Qty						I	R
				(A)	(B)	(C)	(D)	(E)	(F)		
1	1	129247-42000	PUMP ASSY, WATER	1							
3	2	129150-42059	GASKET	1							
4	2	129150-42129	PLATE, PUMP	1							
8	2	129150-42300	FLANGE	1							
9	2	129150-42319	GASKET, FLANGE	1							
11	2	129054-42320	O-RING	1							
12	2	26577-060152	SCREW, M6X15	3							
13	2	26106-060202	BOLT, M6X 20 PLATED	2							
14	2	26116-060162	BOLT, M6X 16 PLATED	3							
16	2	129916-49740	PLUG, R3/8	2							
17	1	129550-42350	V-PULLEY, PUMP	1							
18	1	129156-44760	WASHER, FAN	1							
19	1	22217-080000	WASHER, SPRING 8	1							
20	1	25132-004400	V-BELT, A44	1							Z
(A=E11467)											
21	1	26106-060102	BOLT, M6X 10 PLATED	4							
22	1	26106-080552	BOLT, M8X 55 PLATED	2							
23	1	26106-080552	BOLT, M8X 55 PLATED	1							
24	1	26106-080652	BOLT, M8X 65 PLATED	1							
25	1	129470-49540	COVER, THERMOSTAT	1							
26	1	129795-49551	GASKET, COVER	1							
27	1	129457-49801	THERMOSTAT, 82C	1							
28	1	129470-49810	GASKET, THERMOSTAT	1							
29	1	26106-080252	BOLT, M8X 25 PLATED	1							
30	1	129470-49200	JOINT, RUBBER	1							
31	1	129470-49220	RETAINER	1							
32	1	129470-49240	JOINT, RUBBER 28	1							
33	1	129470-49250	PIPE, FRESH WATER	1							
34	1	129170-49260	JOINT, RUBBER	1							
35	1	23000-041000	CLAMP, 41	6							
36	1	26106-080352	BOLT, M8X 35 PLATED	1							
37	1	129486-42050	GASKET, WATER PUMP	1							
38	1	23414-080000	GASKET, 8X1.0	1							
39	1	26106-080122	BOLT, M8X 12 PLATED	1							
40	1	129670-49290	COCK ASSY, R1/8	1							
43	1	129473-49310	JOINT, PT3/8-8	1							
44	1	119620-49290	COCK ASSY, 1/4	1							
47	1	129263-49610	HOSE ASSY, WATER A	1							
48	2	129263-49710	HOSE, WATER	1							
49	2	124722-59050	CLAMP, HOSE 9	2							
50	1	129263-49620	HOSE ASSY, WATER B	1							
51	2	129263-49720	HOSE, WATER	1							
52	2	124722-59050	CLAMP, HOSE 9	4							
53	1	129579-49320	HOSE, FRESH WATER B	1							
54	1	129171-49560	HOSE, WATER	1							
55	1	194440-51620	CLAMP, B	2							
56	1	23000-013000	CLAMP, 13	2							
57	1	23000-025000	CLAMP, 25	2							
58	1	127610-91350	SWITCH, TEMPERATURE	1							

(A)=3TNV84T-GKM
(B)=
(C)=

(D)=
(E)=
(F)=

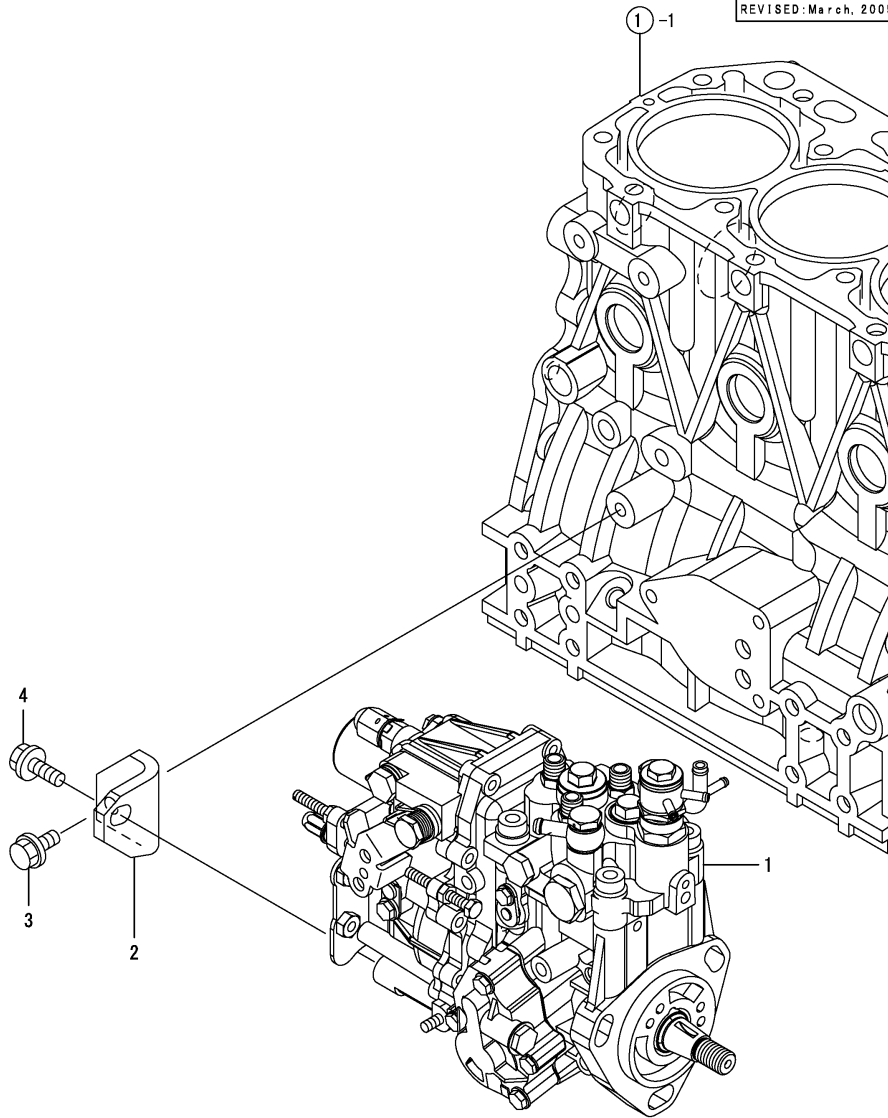


No.	Lev.	Parts No.	Description	Q'ty						I	R
				(A)	(B)	(C)	(D)	(E)	(F)		
1	1	129150-13110	GASKET	1							
2	1	26306-080002	NUT, M8	2							
3	1	128170-13600	STUD, M8X31	4							
4	1	104407-44480	JOINT	1							
5	1	129176-44900	COOLER ASSY, WATER	1							
6	2	129176-44000	COOLER ASSY, WATER	1							
8	3	119620-49290	COCK ASSY, 1/4	1							
11	3	124160-49480	JOINT, PIPE	2							
12	3	23414-170000	GASKET, 17X1.0	1							
13	3	23894-030002	PLUG, G3/8	1							
14	3	27241-280000	PLUG, 28	7							
15	3	27241-400000	PLUG, 40	1							
16	2	129170-44110	CORE ASSY, COOLER	1							
17	2	129470-44440	COVER, A	1							
18	2	129470-44450	COVER, B	1							
19	2	129171-44600	FILLER ASSY	1							
20	2	120445-44640	GASKET	1							
21	2	24321-000750	O-RING, 1AG75.0	2							
22	2	26106-080162	BOLT, M8X 16 PLATED	4							
23	2	26106-080252	BOLT, M8X 25 PLATED	4							
24	1	124460-77680	RETAINER	1							
25	1	23061-070300	PIPE, 7X 300	1							
26	1	26106-081002	BOLT, M8X100 PLATED	4							

(A)=3TNV84T-GKM
(B)=
(C)=

(D)=
(E)=
(F)=

発行No. 000Y00V9590-1
更新年月: 2005. 03
REVISED: March, 2005



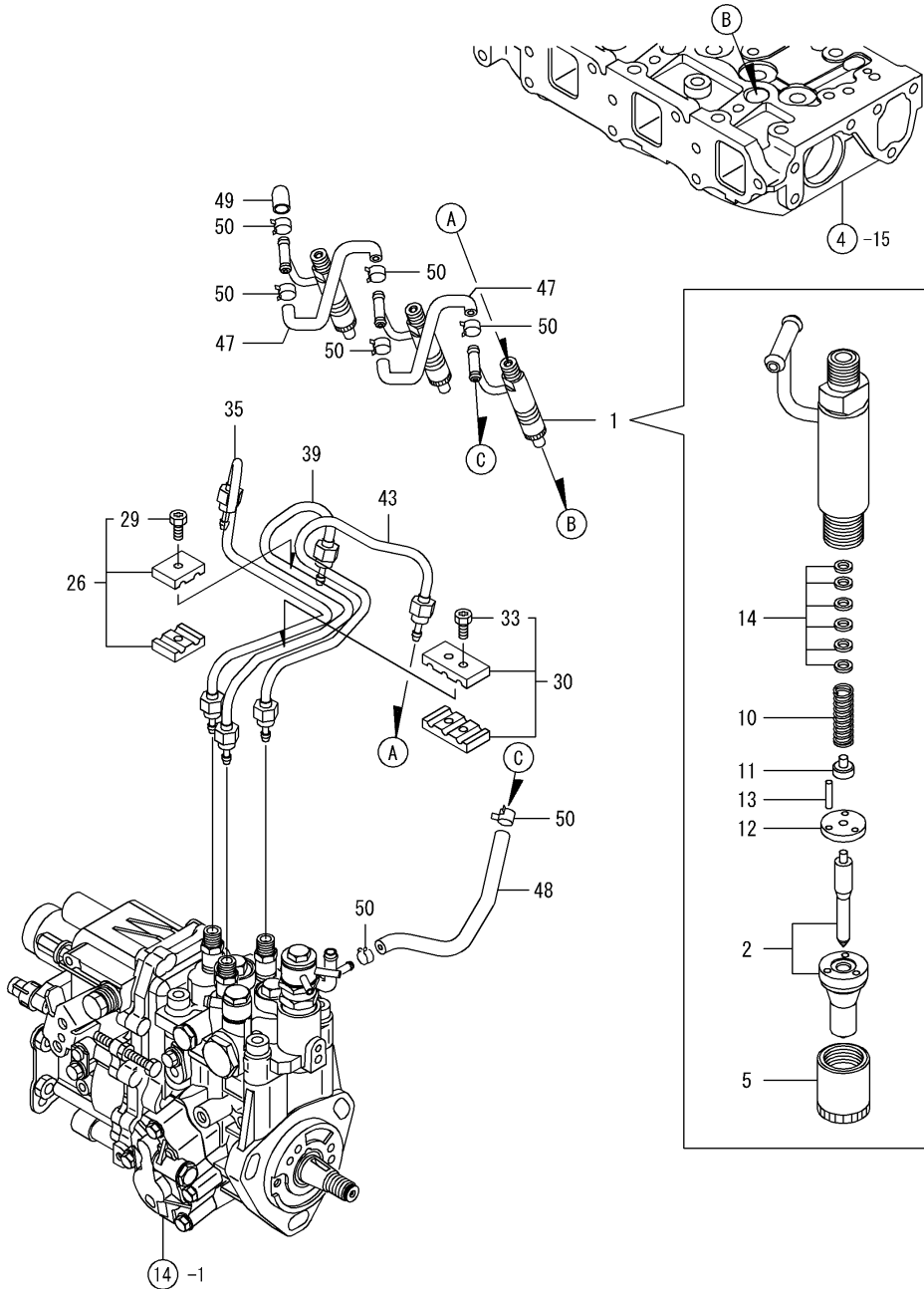
No.	Lev.	Parts No.	Description	Q'ty						I	R
				(A)	(B)	(C)	(D)	(E)	(F)		
1	1	729046-51390	PUMP ASSY, INJECTION	1							1
2	1	119802-51250	RETAINER, PUMP	1							
3	1	26106-080162	BOLT, M8X 16 PLATED	1							
4	1	26106-080202	BOLT, M8X 20 PLATED	1							

Remarks
(1) REFER TO FI.20 & 21 FOR INNER PARTS.

(A)=3TNV84T-GKM
(B)=
(C)=

(D)=
(E)=
(F)=

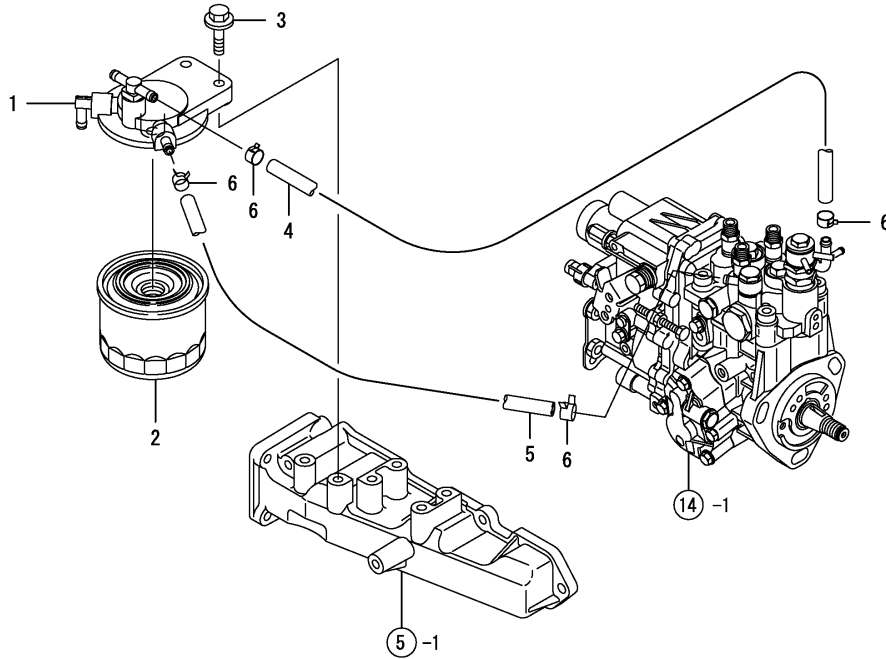
No.	Lev.	Parts No.	Description	Q'ty						I	R
				(A)	(B)	(C)	(D)	(E)	(F)		
1	1	729046-53100	VALVE ASSY,INJECTION	3							
2	2	129046-53000	VALVE ASSY,INJECTION	3							
5	2	114250-53080	NUT, NOZZLE D16.95	3							
10	2	114250-53120	SPRING, NOZZLE	3							
11	2	114250-53130	SEAT, SPRING	3							
12	2	114250-53140	PLATE	3							
13	2	114250-53210	PIN	6							
14	2	114250-53400	SHIM SET	3							
26	1	119305-59120	RETAINER, PIPE	1							
29	2	129150-59131	BOLT, M4X14	1							
30	1	129150-59120	RETAINER, PIPE	1							
33	2	129150-59131	BOLT, M4X14	2							
35	1	129004-59810	PIPE ASSY, INJECTION	1							
39	1	129004-59820	PIPE ASSY, INJECTION	1							
43	1	129004-59830	PIPE ASSY, INJECTION	1							
47	1	129270-59550	PIPE, FUEL	2							
48	1	119802-59570	PIPE, FUEL	1							
49	1	129270-59580	CAP	1							
50	1	23000-013000	CLAMP, 13	7							



(A)=3TNV84T-GKM
(B)=
(C)=

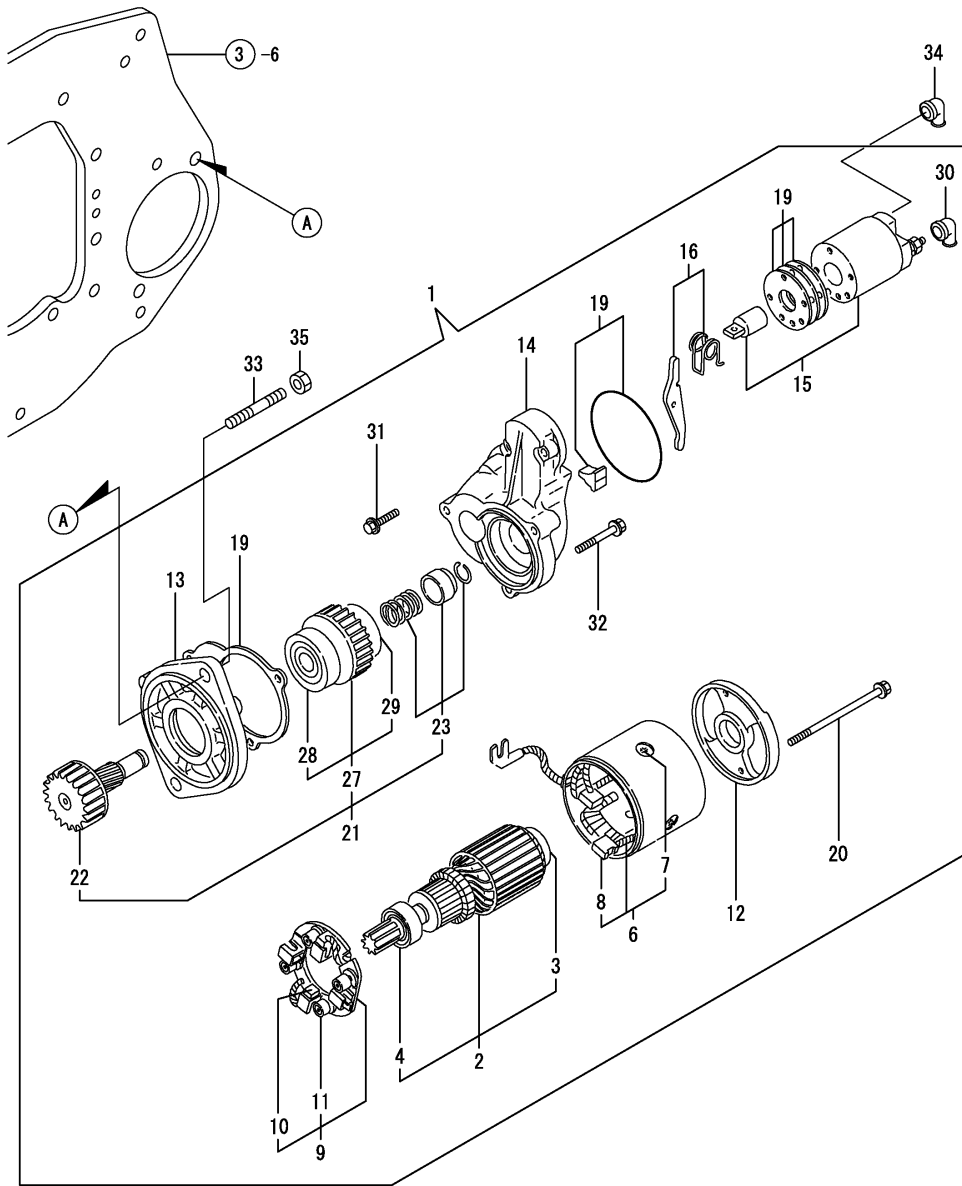
(D)=
(E)=
(F)=

No.	Lev.	Parts No.	Description	Q'ty						I	R
				(A)	(B)	(C)	(D)	(E)	(F)		
1	1	129004-55610	BRACKET, FILTER	1							
2	1	119802-55800	FILTER, FUEL	1							
3	1	26106-080302	BOLT, M8X 30 PLATED	2							
4	1	119802-59100	PIPE, FUEL	1							
5	1	119802-59110	PIPE, FUEL	1							
6	1	23000-016000	CLAMP, 16	4							



(A)=3TNV84T-GKM
(B)=
(C)=

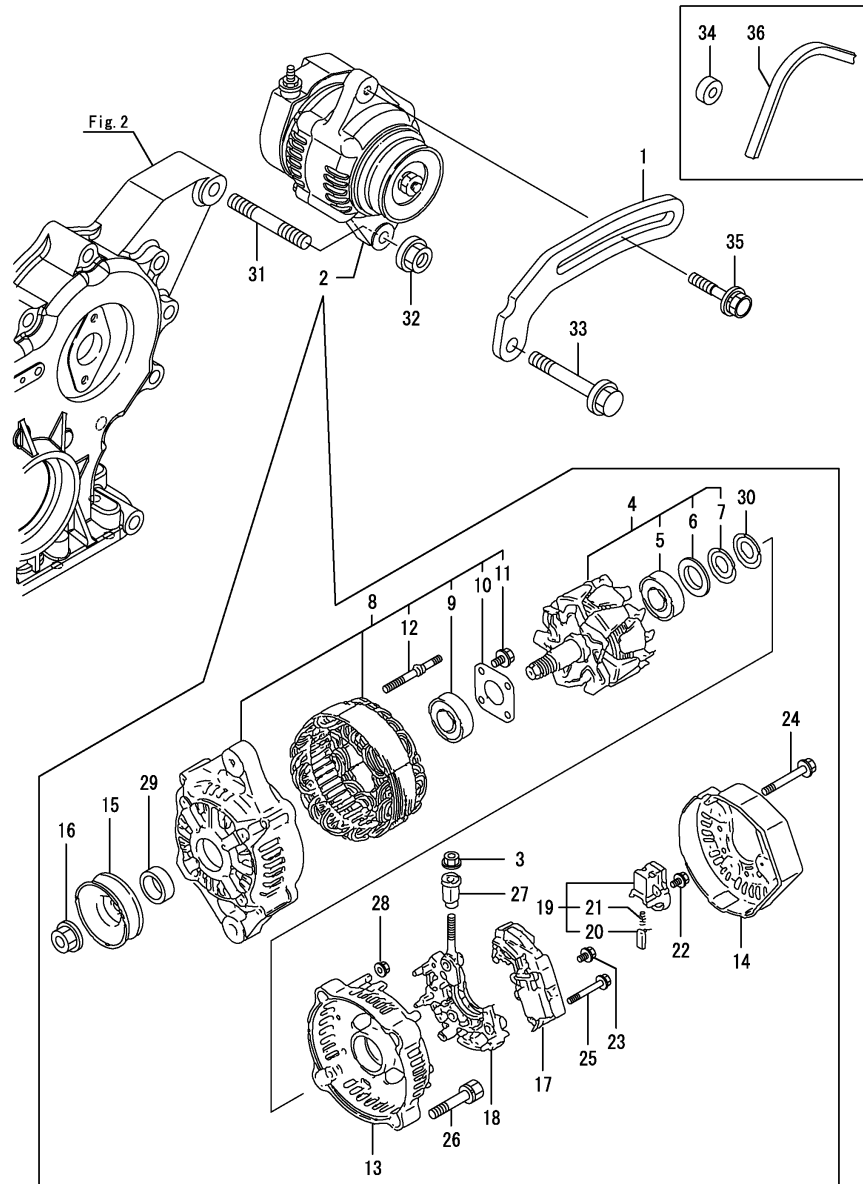
(D)=
(E)=
(F)=



No.	Lev.	Parts No.	Description	Q'ty						I	R
				(A)	(B)	(C)	(D)	(E)	(F)		
1	1	171008-77010	STARTER, S114-483	1							
2	2	171008-77400	ARMATURE ASSY	1							
3	3	X2130350900	BALL BEARING	1							
4	3	X2114255110	BEARING, BALL	1							
6	3	171008-77440	COIL ASSY, FIELD	1							
7	4	171008-77450	SCREW	4							
8	4	171008-77460	BRUSH (+)	2							
9	2	171008-77470	HOLDER ASSY, BRUSH	1							
10	3	171008-77480	BRUSH (-)	2							
11	3	171008-77490	SPRING, BRUSH	4							
12	2	171008-77500	COVER, REAR	1							
13	2	171008-77510	HOUSING ASSY, GEAR	1							
14	2	171008-77520	HOUSING, CENTER	1							
15	2	171008-77531	MAGNETIC SWITCH ASSY	1							
16	2	171008-77540	LEVER SET, SHIFT	1							
19	2	171008-77571	COVER KIT, DUST	1							
20	2	171008-77640	BOLT, THROUGH	2							
21	2	171008-77650	PINION ASSY	1							
22	3	171008-77660	SHAFT, PINION	1							
23	3	171008-77670	STOPPER SET, PINION	1							
27	3	X2114555500	CLUTCH ASSY	1							
28	4	X2114955020	BALL BEARING	1							
29	4	X2240410100	BEARING, BALL	1							
30	2	171008-77750	COVER, M TERMINAL	1							
31	2	26106-060322	BOLT, M6X 32 PLATED	2							
32	2	26106-060402	BOLT, M6X 40 PLATED	3							
33	1	124450-01610	STUD	2							
34	1	124550-77030	COVER, TERMINAL	1							
35	1	26716-120002	NUT, M12	2							

(A)=3TNV84T-GKM
(B)=
(C)=

(D)=
(E)=
(F)=



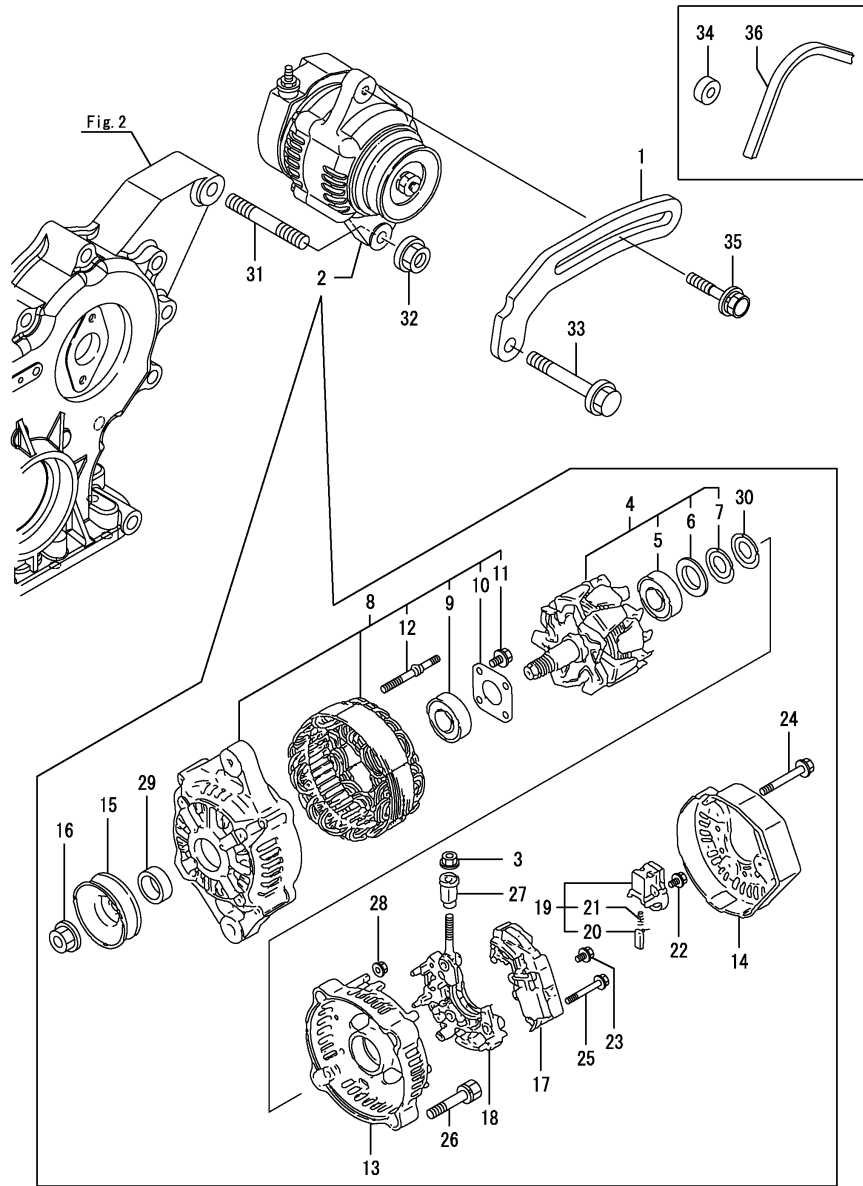
No.	Lev.	Parts No.	Description	Q'ty						I	R
				(A)	(B)	(C)	(D)	(E)	(F)		
1	1	119940-77330	ADJUSTER, BELT	1							
1-1	1	119802-77330 (A=E09503)	ADJUSTER, BELT	1							N
1-2	1	129410-77330 (A=E11467)	ADJUSTER, BELT	1							N
2	1	129423-77200 (A=E11467)	GENERATOR, 12V-40A	1							Z
3	2	X9490561001 (A=E11467)	NUT	1							Z
4	2	119620-77380 (A=E11467)	ROTOR ASSY	1							Z
5	3	119620-79240 (A=E11467)	BEARING, BALL	1							Z
6	3	119620-79250 (A=E11467)	COVER, BEARING	1							Z
7	3	119620-79360 (A=E11467)	WASHER, THRUST	1							Z
8	2	119620-77421 (A=E11467)	FRAME ASSY, DRIVE	1							Z
9	3	119620-79200 (A=E11467)	BEARING, BALL	1							Z
10	3	119620-79210 (A=E11467)	PLATE, RETAINER	1							Z
11	3	119620-79220 (A=E11467)	SCREW	4							Z
12	3	119620-79230 (A=E11467)	STUD	2							Z
13	2	119620-77440 (A=E11467)	FRAME ASSY, REAR	1							Z
14	2	129240-79300 (A=E11467)	COVER	1							Z
15	2	119620-77461 (A=E11467)	PULLEY, GENERATOR	1							Z
16	2	119620-77471 (A=E11467)	NUT	1							Z
17	2	129423-77710 (A=E11467)	REGULATOR ASSY	1							Z
18	2	119620-79260 (A=E11467)	HOLDER ASSY	1							Z
19	2	119620-79270 (A=E11467)	HOLDER ASSY, BRUSH	1							Z
20	3	119620-77480 (A=E11467)	BRUSH ASSY, SUB	2							Z
21	3	119620-79280 (A=E11467)	SPRING	2							Z
22	2	119620-79290 (A=E11467)	SCREW	1							Z
23	2	119620-79300 (A=E11467)	SCREW	1							Z
24	2	119620-79310 (A=E11467)	BOLT	3							Z

Remarks

(1) Loose parts.

(A)=3TNV84T-GKM
(B)=
(C)=

(D)=
(E)=
(F)=



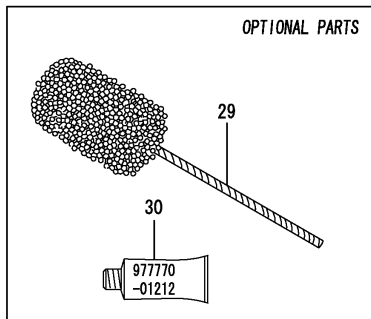
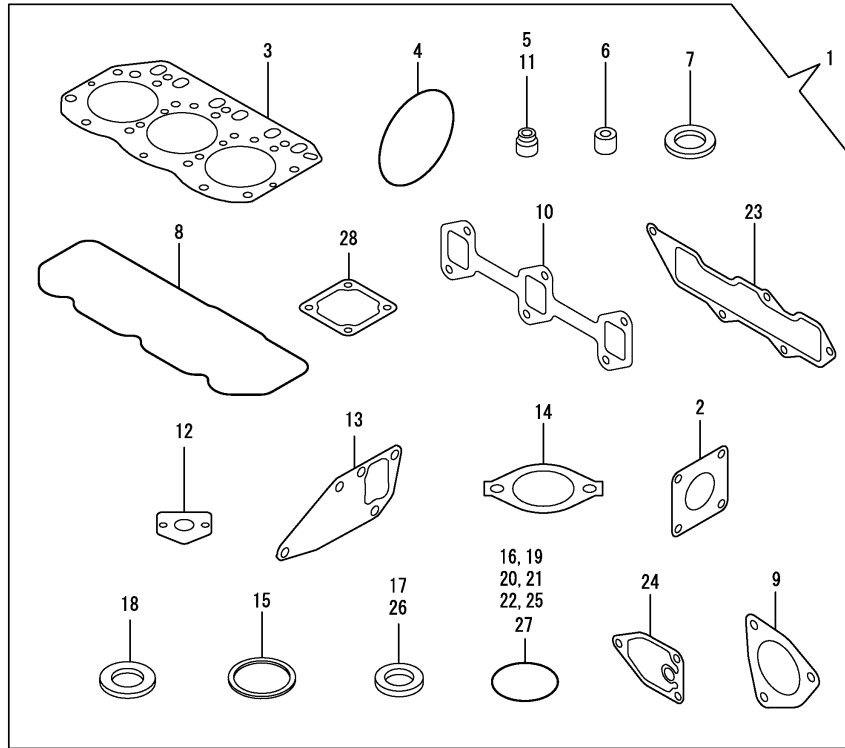
No.	Lev.	Parts No.	Description	Q'ty						I	R
				(A)	(B)	(C)	(D)	(E)	(F)		
25	2	119620-79320 (A=E11467)	SCREW, W/WASHER	2							Z
26	2	119620-79330 (A=E11467)	BOLT	2							Z
27	2	119620-79340 (A=E11467)	BUSH, INSULATION	1							Z
28	2	119620-79350 (A=E11467)	NUT	2							Z
29	2	119620-77490 (A=E11467)	COLLAR	1							Z
30	2	119620-79360 (A=E11467)	WASHER, THRUST	1							Z
31	1	129795-01900	BOLT, M10X33	1							
32	1	26306-100002 (A=E11467)	NUT, M10	1							Z
33	1	26106-080452	BOLT, M8X 45 PLATED	1							
34	1	119940-77270	SPACER, GENERATOR	1							1
35	1	119802-77340 (A=E11467)	BOLT, ADJUSTER L=40	1							Z
36	1	25132-004400 (A=E11467)	V-BELT, A44	1							W 1

Remarks

(1)Loose parts.

(A)=3TNV84T-GKM
(B)=
(C)=

(D)=
(E)=
(F)=



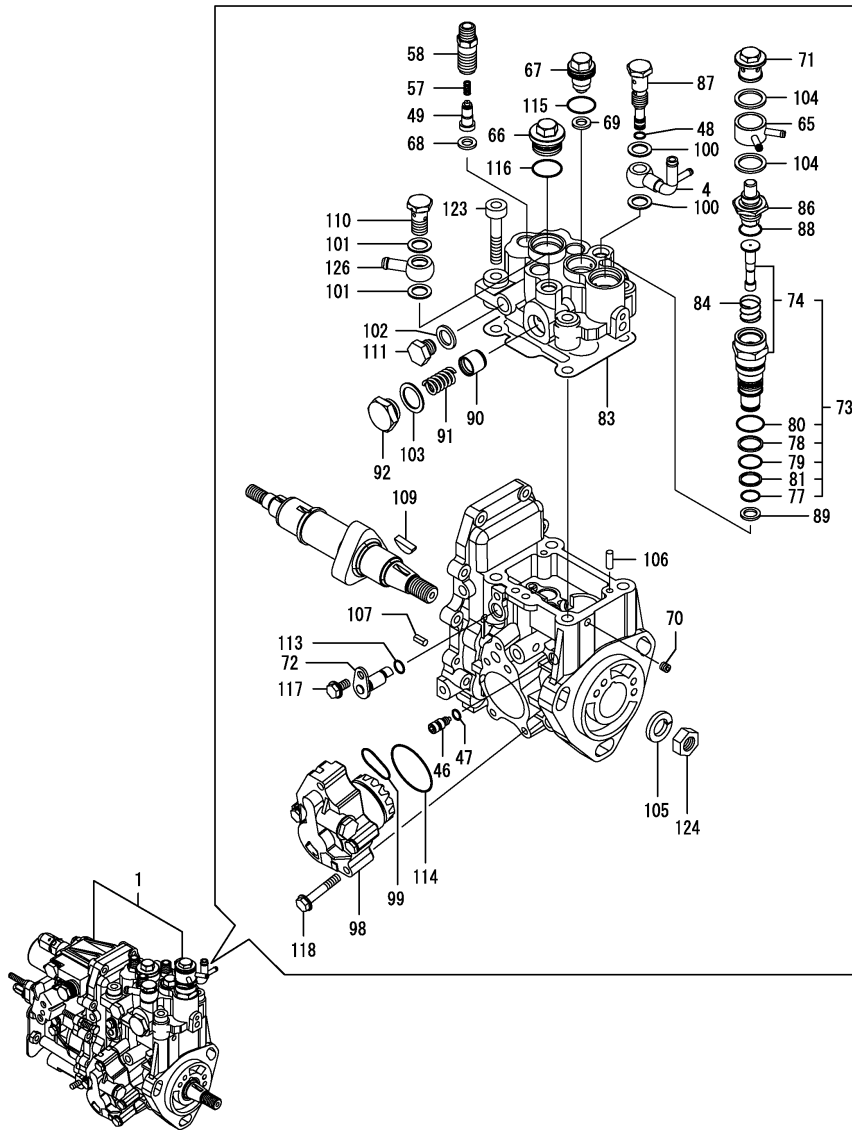
No.	Lev.	Parts No.	Description	Q'ty						I	R
				(A)	(B)	(C)	(D)	(E)	(F)		
1	1	729246-92720	GASKET SET	1							1
2	2	129792-18091	GASKET	1							
3	2	129002-01331	GASKET, HEAD	1							
4	2	121850-51960	O-RING	1							
5	2	124460-11340	SEAL, VALVE STEM	3							
6	2	119802-11870	PROTECTOR, NOZZLE	3							
7	2	119625-11880	SEAT, NOZZLE	3							
8	2	129004-11310	GASKET, BONNET	1							
9	2	129472-13520	GASKET	1							
10	2	129150-13110	GASKET	1							
11	2	121400-11340	SEAL, VALVE STEM	3							
12	2	129150-35041	GASKET	1							
13	2	129486-42050	GASKET, WATER PUMP	1							
14	2	129795-49551	GASKET	1							
15	2	129470-49810	GASKET, THERMOSTAT	1							
16	2	24314-000160	O-RING, 4CP16.0	1							
17	2	22190-080002	WASHER, SEAL 6	2							
18	2	23414-080000	GASKET, 8X1.0	3							
19	2	24311-000120	O-RING, 1AP12.0	3							
20	2	24311-000320	O-RING, 1AP32.0	2							
21	2	24341-000240	O-RING, 1AS24.0	1							
22	2	24341-000250	O-RING, 1AS25.0	1							
23	2	129001-12110	GASKET, MANIFOLD	1							
24	2	129150-35111	GASKET	1							
25	2	119609-32040	O-RING, P16	4							
26	2	22190-100002	WASHER, SEAL 10	2							
27	2	24341-000400	O-RING, 1AS40.0	1							
28	2	129150-77511	GASKET	1							
29	1	129400-92420	FLEX HORN	1							1
30	1	977770-01212	GASKET, LIQUID	1							1

Remarks
(1) OPTIONAL PART.

(A)=3TNV84T-GKM
(B)=
(C)=

(D)=
(E)=
(F)=

発行No. 000Y00V9590-1
更新年月: 2005.03
REVISED: March, 2005



No.	Lev.	Parts No.	Description	Q'ty						I	R
				(A)	(B)	(C)	(D)	(E)	(F)		
1	1	729046-51390	PUMP ASSY, INJECTION	1							1
4	2	158552-51670	JOINT, OVER FLOW	1							
46	2	158600-51270	STOPPER, TAPPET	1							
47	2	158563-51281	O-RING, 4D S6	1							
48	2	158563-51281	O-RING, 4D S6	1							
49	2	158560-51300	VALVE ASSY, DELIVERY	3							
57	2	158563-51330	SPRING, DELIVERY	3							
58	2	158601-51340	HOLDER, DELIVERY	3							
65	2	158553-51551	JOINT	1							
66	2	158601-51550	PLUG	1							
67	2	119802-51560	PLUG, BARREL	1							
68	2	158552-51570	GASKET	3							
69	2	158552-51570	GASKET	1							
70	2	158557-51570	PLUG	1							
71	2	158601-51570	PLUG	1							
72	2	158552-51580	LIFTER	1							
73	2	119802-51590	TIMER SET	1							
74	3	119802-51600	TIMER ASSY	1							
77	3	158553-51670	O-RING, 1011	1							
78	3	119802-51680	RING, BACK UP	1							
79	3	119802-51690	O-RING	1							
80	3	24356-010200	O-RING, 4D1020	1							
81	3	24372-000150	RING, BACK UP T2P15	1							
83	2	158552-51600	GASKET	1							
84	2	158553-51630	SPRING, TIMER	1							
86	2	158553-51640	ELEMENT	1							
87	2	158601-51650	JOINT, OVER FLOW	1							
88	2	158553-51660	O-RING, P14	1							
89	2	158553-51680	GASKET	1							
90	2	158601-51770	PISTON	1							
91	2	158552-51780	SPRING	1							
92	2	158601-51790	PLUG	1							
98	2	158552-52100	PUMP ASSY, FUEL FEED	1							
99	2	158552-52310	O-RING	1							
100	2	22190-120002	WASHER, SEAL 12	2							
101	2	22190-120002	WASHER, SEAL 12	2							
102	2	22190-120002	WASHER, SEAL 12	1							
103	2	22190-180002	WASHER, SEAL 18	1							
104	2	22190-180002	WASHER, SEAL 18	2							
105	2	22217-140000	WASHER, SPRING 14	1							
106	2	22312-050140	PIN, PARALLEL M5X14	2							
107	2	22351-050010	PIN, SPRING 5.0X10	2							
109	2	119802-51090	KEY, 4X16	1							
110	2	23857-060000	BOLT, JOINT 6	1							
111	2	23887-120002	PLUG, 12	1							
113	2	24311-000070	O-RING, 1AP7.0	1							
114	2	158552-52400	O-RING, 4E S42	1							
115	2	24356-010180	O-RING, 4D1018	1							
116	2	24356-010200	O-RING, 4D1020	1							
117	2	26106-060102	BOLT, M6X 10 PLATED	1							
118	2	158553-51770	BOLT	4							

Remarks
(1) GOVERNOR ASSY(FIG.21) IS INCORPORATED IN THIS FOP.CMP (REF.NO.1).

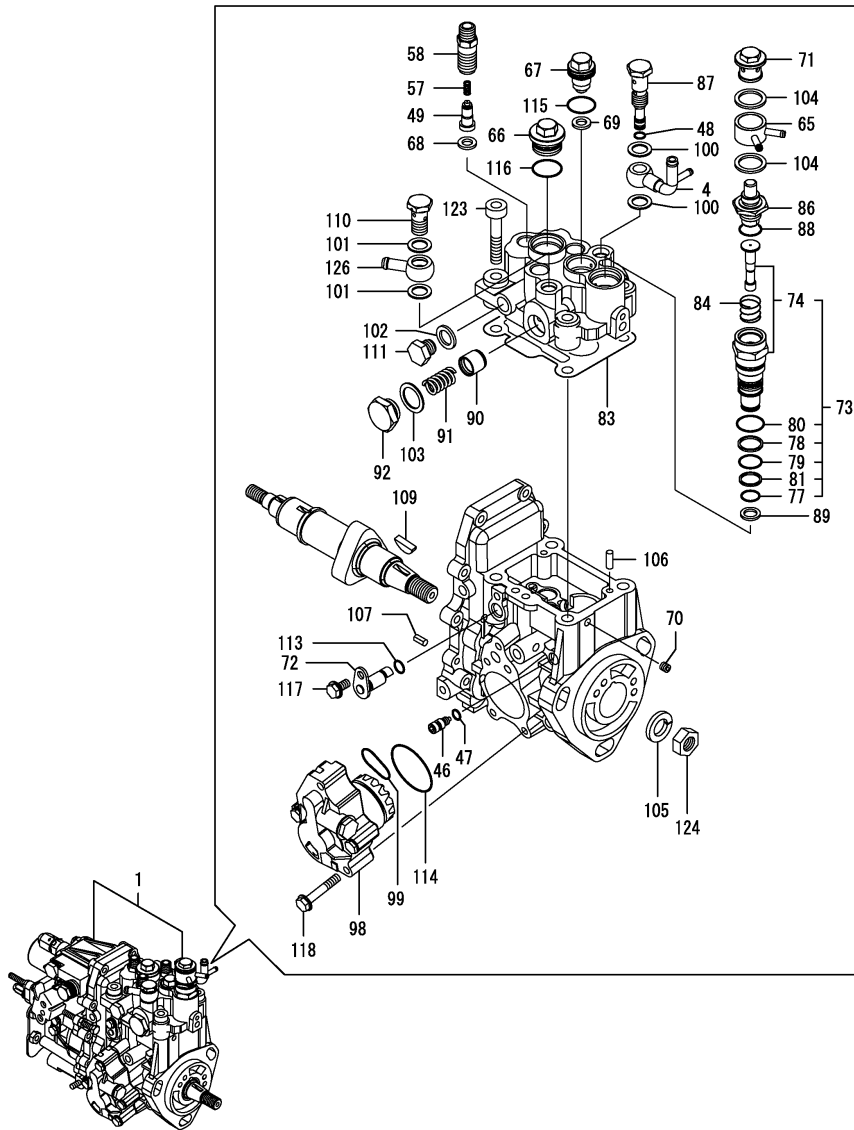
GEMAPE 3TNV84T-GKM PUMP(INNER PARTS)

0CV10-M95900 Fig.20

(A)=3TNV84T-GKM
(B)=
(C)=

(D)=
(E)=
(F)=

発行No. 000Y00V9590-1
更新年月: 2005.03
REVISED: March, 2005



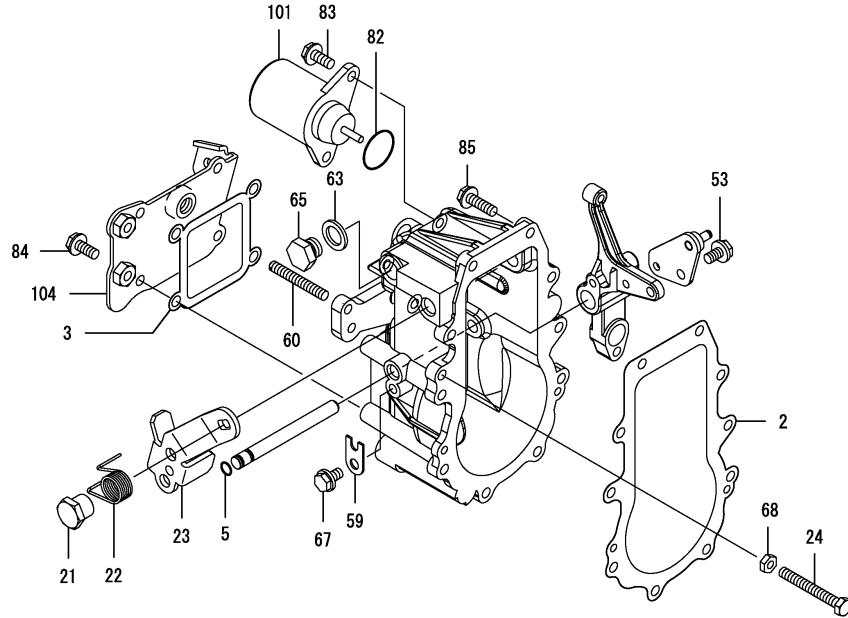
No.	Lev.	Parts No.	Description	Qty						I	R
				(A)	(B)	(C)	(D)	(E)	(F)		
123	2	26450-080452	BOLT, M8X 45	4							
124	2	26776-140002	NUT, LOCK M14	1							
126	2	129916-59020	JOINT, PIPE 12	1							

Remarks
(1) GOVERNOR ASSY(FIG.21) IS
INCORPORATED IN THIS FOP.CMP
(REF.NO.1).

(A)=3TNV84T-GKM
 (B)=
 (C)=

(D)=
 (E)=
 (F)=

発行No. 000Y00V9590-1
 更新年月: 2005.03
 REVISED: March, 2005



No.	Lev.	Parts No.	Description	Q'ty						I	R
				(A)	(B)	(C)	(D)	(E)	(F)		
2	2	158553-61050	GASKET	1							
3	2	158553-61070	GASKET	1							
5	2	129155-51280	O-RING, S6	1							
21	2	129255-61410	NUT, LOCK	1							
22	2	119807-61420	SPRING, RETURN	1							
23	2	129246-61441	LEVER, REGULATOR	1							
24	2	129155-61460	BOLT, IDLE	1							
53	2	26106-060102	BOLT, M6X 10 PLATED	1							
59	2	119660-61901	RETAINER, SHAFT	1							
60	2	171002-66830	SCREW	1							
63	2	22190-120000	WASHER, SEAL 12	1							
65	2	23887-120002	PLUG, 12	1							
67	2	26106-060102	BOLT, M6X 10 PLATED	1							
68	2	26756-060002	NUT, LOCK M6	1							
82	2	24341-000280	O-RING, 1AS28.0	1							
82-1	2	158552-61900	O-RING	1							N
(A=EXXXXX)											
83	2	26106-060142	BOLT, M6X 14 PLATED	2							
84	2	26106-060142	BOLT, M6X 14 PLATED	4							
85	2	26106-060202	BOLT, M6X 20 PLATED	10							
101	2	119653-77950	SOLENOID, STOP	1							
104	2	129246-61061	COVER, GOVERNOR CASE	1							

Remarks
 * THIS FIGURE(GOVERNOR ASSY)IS
 INCORPORATED IN THE FUEL INJECTION
 PUMP ASSY(FIG.20).



Parts No. Index

Parts No.	Fig. No.	Ref. No.
104214-42780	11	23
104407-21600	11	26
104407-44480	7	20
	13	4
105010-39140	10	1
114250-39450	9	25
114250-53080	15	5
114250-53120	15	10
114250-53130	15	11
114250-53140	15	12
114250-53210	15	13
114250-53400	15	14
119305-59120	15	26
119609-32040	2	21
	19	25
119620-49290	12	44
	13	8
119620-77380	18	4
119620-77421	18	8
119620-77440	18	13
119620-77461	18	15
119620-77471	18	16
119620-77480	18	20
119620-77490	18	29
119620-79200	18	9
119620-79210	18	10
119620-79220	18	11
119620-79230	18	12
119620-79240	18	5
119620-79250	18	6
119620-79260	18	18
119620-79270	18	19
119620-79280	18	21
119620-79290	18	22
119620-79300	18	23
119620-79310	18	24
119620-79320	18	25
119620-79330	18	26
119620-79340	18	27
119620-79350	18	28
119620-79360	18	7
		30
119625-11880	4	35
	19	7
119653-77950	21	101
119660-61901	21	59
119802-01560	2	17
119802-11260	4	6
119802-11270	4	7
119802-11280	4	8

Parts No.	Fig. No.	Ref. No.
119802-11870	4	57
	19	6
119802-21201	8	5
119802-25051	6	10
119802-25070	6	14
119802-25100	6	11
119802-25901	6	17
119802-32070	2	11
119802-32100	2	10
119802-32111	2	22
119802-32120	2	23
119802-32130	2	24
119802-35110	9	9
119802-51090	20	109
119802-51250	14	2
119802-51560	20	67
119802-51590	20	73
119802-51600	20	74
119802-51680	20	78
119802-51690	20	79
119802-55800	16	2
119802-59100	16	4
119802-59110	16	5
119802-59570	15	48
119802-77330	18	1 -1
119802-77340	18	35
119807-61420	21	22
119940-77270	18	34
119940-77330	18	1
120130-11860	4	22
120270-54410	4	37
120445-44640	13	20
121023-01550	2	7
121111-21501	8	13
121400-11340	4	30
	19	11
121520-34810	9	2
121550-23200	8	31
121575-42021	11	5
121575-42120	11	11
121575-42150	11	12
121850-21680	8	11
121850-51960	2	25
	19	4
123951-03330	9	19
124060-01050	1	5
124070-42400	11	15
124070-42420	11	16
124160-01751	2	18
	4	42

Parts No.	Fig. No.	Ref. No.
124160-01910	1	7
		8
124160-11360	4	53
124160-39140	10	2
124160-49480	13	11
124223-42040	11	6
124223-42070	11	7
124223-42080	11	8
124223-42091	11	9
124223-42110	11	10
124240-01871	2	19
124450-01610	17	33
124460-11340	4	31
	19	5
124460-77680	11	32
	13	24
124550-21600	8	17
124550-77030	17	34
124722-59050	12	49
		52
124770-12540	5	13
127610-03270	11	25
127610-91350	12	58
128170-13600	7	5
	13	3
129001-01250	1	6
129001-02930	1	25
129001-12110	5	3
	19	23
129001-32330	2	14
129001-91841	2	26
129002-01331	1	33
	19	3
129004-01190	1	31
129004-03010	4	44
129004-11100	4	26
129004-11241	4	3
129004-11251	4	4
129004-11310	4	49
	19	8
129004-11650	4	10
129004-11900	4	36
129004-14580	6	3
129004-21001	8	1
129004-22080	8	18
129004-22500	8	20
129004-22900	8	36
129004-22950	8	38
129004-55610	16	1
129004-59810	15	35

Parts No.	Fig. No.	Ref. No.
129004-59820	15	39
129004-59830	15	43
129005-59830	10	6
129006-01520	2	15
129006-03120	4	46
129006-11350	4	43
129006-11700	4	15
129006-12100	5	1
129006-35100	9	8
129006-44480	9	13
129006-49040	9	18
129007-22080	8	18 -1
129007-22500	8	20 -1
129007-22900	8	36 -1
129007-22950	8	38 -1
129046-39450	10	3
129046-53000	15	2
129054-42320	12	11
129080-49010	11	27
129100-01580	3	1
		17
	8	2
129100-01640	3	18
129100-01730	3	8
129100-11130	4	27
129100-23910	8	30
129103-49301	9	23
129150-01200	1	32
129150-02020	1	10
129150-02450	6	4
129150-02870	1	34
129150-02930	1	28
129150-02940	1	37
129150-03070	4	45
129150-11230	4	11
129150-11280	4	9
129150-11370	4	14
129150-11750	4	13
129150-11810	4	24
129150-13110	13	1
	19	10
129150-14101	6	7
129150-14200	6	1
129150-14400	6	2
129150-23600	8	32
129150-23610	8	34
129150-25301	6	16
129150-35041	9	3
	19	12
129150-35091	9	4



Parts No. Index

Parts No.	Fig. No.	Ref. No.
129150-35111	9	11
	19	24
129150-35153	9	12
129150-42059	12	3
129150-42129	12	4
129150-42300	12	8
129150-42319	12	9
129150-59120	15	30
129150-59131	15	29
		33
129150-77511	5	7
	19	28
129155-51280	21	5
129155-61460	21	24
129156-44760	12	18
129170-44110	13	16
129170-49260	12	34
129171-03090	4	59
129171-44600	13	19
129171-49560	12	54
129175-01770	3	10
129175-21650	8	9
129176-01601	3	6
129176-39610	10	4
129176-44000	13	6
129176-44900	13	5
129189-21570	8	14
129202-22300	8	24
129240-79300	18	14
129246-61061	21	104
129246-61441	21	23
129247-42000	12	1
129255-61410	21	21
129263-49610	12	47
129263-49620	12	50
129263-49710	12	48
129263-49720	12	51
129270-59550	15	47
129270-59580	15	49
129301-03660	4	60
129400-92420	19	29
129403-18570	7	15 A
129403-18720	7	7
129403-18800	7	9
129403-39610	10	5
129410-77330	18	1 -2
129417-33110	9	36
129417-35150	9	10
129418-32320	2	13
129423-77200	18	2

Parts No.	Fig. No.	Ref. No.
129423-77710	18	17
129457-49801	12	27
129470-07230	4	56
129470-44440	13	17
129470-44450	13	18
129470-49200	12	30
129470-49220	12	31
129470-49240	12	32
129470-49250	12	33
129470-49540	12	25
129470-49810	12	28
	19	15
129472-13520	7	1
	19	9
129472-49040	11	36
129473-49310	12	43
129475-49020	11	29
129477-12500	5	10
129477-12530	5	12
129486-01670	3	2
129486-42050	12	37
	19	13
129508-33010	9	35
129508-49030	9	14
129550-42350	12	17
129553-39650	9	32
129579-13551	7	2
129579-18010	7	6
129579-18780	7	8
129579-18820	7	12
129579-18830	7	13
129579-18850	7	14
129579-18860	7	15
129579-42160	11	13
129579-42190	11	14
129579-42501	11	3
129579-42590	11	22
129579-49320	12	53
129579-49460	11	31
129647-42150	11	2
129647-42500	11	1
129649-12210	5	15
129649-12810	5	20
129649-12820	5	21
129649-12830	5	22
129649-12850	5	19
129670-49290	7	17
	11	37
	12	40
129792-18091	7	16

Parts No.	Fig. No.	Ref. No.
129792-18091	19	2
129792-39410	9	26
129795-01780	3	20
129795-01800	2	6
129795-01900	18	31
129795-01950	2	20
129795-02411	1	13
129795-11120	4	28
129795-11180	4	29
129795-21661	8	10
129795-49551	12	26
	19	14
129900-07900	4	1
129900-32130	2	12
129916-49740	12	16
129916-59020	20	126
129960-03990	4	61
158552-51151	6	18
158552-51570	20	68
		69
158552-51580	20	72
158552-51600	20	83
158552-51670	20	4
158552-51780	20	91
158552-52100	20	98
158552-52310	20	99
158552-52400	20	114
158552-61900	21	82 -1
158553-51551	20	65
158553-51630	20	84
158553-51640	20	86
158553-51660	20	88
158553-51670	20	77
158553-51680	20	89
158553-51770	20	118
158553-61050	21	2
158553-61070	21	3
158557-51570	20	70
158560-51300	20	49
158563-51281	20	47
		48
158563-51330	20	57
158600-51270	20	46
158601-51340	20	58
158601-51550	20	66
158601-51570	20	71
158601-51650	20	87
158601-51770	20	90
158601-51790	20	92
171002-66830	21	60

Parts No.	Fig. No.	Ref. No.
171007-49400	7	21
171008-03990	9	15
171008-77010	17	1
171008-77400	17	2
171008-77440	17	6
171008-77450	17	7
171008-77460	17	8
171008-77470	17	9
171008-77480	17	10
171008-77490	17	11
171008-77500	17	12
171008-77510	17	13
171008-77520	17	14
171008-77531	17	15
171008-77540	17	16
171008-77571	17	19
171008-77640	17	20
171008-77650	17	21
171008-77660	17	22
171008-77670	17	23
171008-77750	17	30
171051-01921	1	9
171301-01640	3	11
171420-34800	9	1
171487-49010	11	28
194440-51620	12	55
22190-080002	10	7
		9
	19	17
22190-100002	10	10
	19	26
22190-120000	21	63
22190-120002	20	100
		101
		102
22190-180002	20	103
		104
22217-080000	12	19
22217-140000	6	19
	20	105
22242-000150	11	17
22252-000260	8	25
22252-000350	11	18
22312-050140	20	106
22351-030010	8	8
	9	33
22351-050010	20	107
22351-060012	4	38
22512-070140	6	8
	8	6



Parts No. Index

Parts No.	Fig. No.	Ref. No.
22512-070160	8	12
22857-500100	4	50
		51
23000-013000	12	56
	15	50
23000-016000	16	6
23000-022000	10	11
23000-025000	12	57
23000-035000	11	30
		33
23000-041000	12	35
23000-048000	5	14
		18
23000-054000	5	23
23000-060000	5	6
23061-070300	11	34
	13	25
23080-015000	9	17
		21
23080-018000	9	22
23414-080000	10	14
	12	38
	19	18
23414-170000	13	12
23857-030000	10	8
23857-060000	20	110
23876-010000	5	17
23876-030000	2	4
23876-040000	2	5
23887-120002	20	111
	21	65
23894-030002	13	13
24107-062024	11	19
24311-000070	20	113
24311-000120	4	54
	19	19
24311-000320	2	27
	4	55
	19	20
24314-000160	10	12
	19	16
24321-000750	13	21
24341-000240	2	8
	19	21
24341-000250	3	13
	19	22
24341-000280	21	82
24341-000400	4	52
	19	27
24356-010180	20	115

Parts No.	Fig. No.	Ref. No.
24356-010200	20	80
		116
24372-000150	20	81
25132-004400	12	20
	18	36
26014-080162	11	20
26106-060082	11	24
26106-060102	12	21
	20	117
	21	53
		67
26106-060142	21	83
		84
26106-060162	2	9
	10	13
26106-060202	12	13
	21	85
26106-060322	17	31
26106-060402	17	32
26106-080122	10	16
	12	39
26106-080142	6	9
26106-080162	2	28
		29
	3	14
	4	2
	11	35
	13	22
	14	3
26106-080202	5	4
		8
	9	24
	14	4
26106-080252	3	15
	4	39
	12	29
	13	23
26106-080302	16	3
26106-080352	3	3
	4	40
	9	34
	12	36
26106-080402	6	15
26106-080452	3	16
		16 -1
	18	33
26106-080502	3	21
	4	41
26106-080552	2	30
	12	22

Parts No.	Fig. No.	Ref. No.
26106-080552	12	23
26106-080652	5	9
	12	24
26106-080802	5	5
26106-081002	13	26
26113-040088	11	21
26116-060162	12	14
26206-100202	3	7
26206-100252	3	4
26306-080002	2	31
	13	2
26306-100002	18	32
26366-060002	10	15
26450-080452	20	123
26577-060152	12	12
26703-080002	7	3
		4
26716-120002	17	35
26756-060002	21	68
26776-140002	6	20
	20	124
27241-120000	1	14
27241-280000	13	14
27241-300000	1	15
27241-400000	4	34
	13	15
27310-080001	4	32
719802-01500	2	1
729006-01560	1	1
729046-51390	14	1
	20	1
729046-53100	15	1
729246-92720	19	1
729402-23100	8	26
977770-01212	2	16
	3	5
	4	58
	19	30
X2114255110	17	4
X2114555500	17	27
X2114955020	17	28
X2130350900	17	3
X2240410100	17	29
X9490561001	18	3

Parts No.	Fig. No.	Ref. No.
-----------	----------	----------