

0CW10-M29900EN

# PREFACE

1. This parts catalog is the 1st edition of 3TNV76-XMHS for STIGA(GGP Sweden).

Pub.No. : 000Y00W2990

Published : February,2008

2. Model name

Engine model	Vehicle	Vehicle made by
	Products	
3TNV76-XMHS	Mower	STIGA(GGP Sweden)

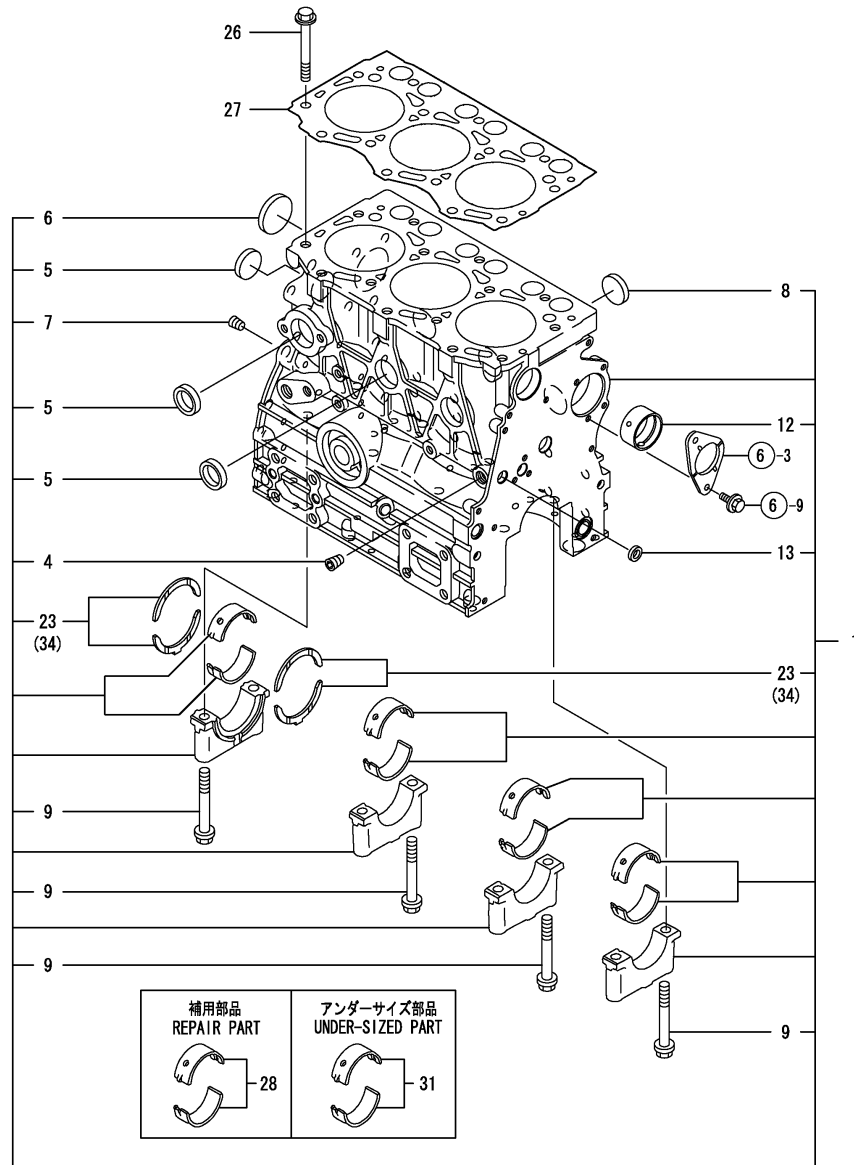
Fig. No. Fig. Name

3TNV76-XMHS

1. CYLINDER BLOCK
2. GEAR HOUSING
3. MOUNTING FLANGE & OIL SUMP
4. CYLINDER HEAD & BONNET
5. EXHAUST MANIFOLD & AIR CLEANER
6. CAMSHAFT & DRIVING GEAR
7. CRANKSHAFT & PISTON
8. LUB.OIL SYSTEM
9. COOLING WATER SYSTEM
10. FUEL INJECTION PUMP
11. GOVERNOR
12. FUEL INJECTION VALVE
13. FUEL LINE
14. STARTING MOTOR
15. GENERATOR
16. GASKET SET

Fig. No. Fig. Name

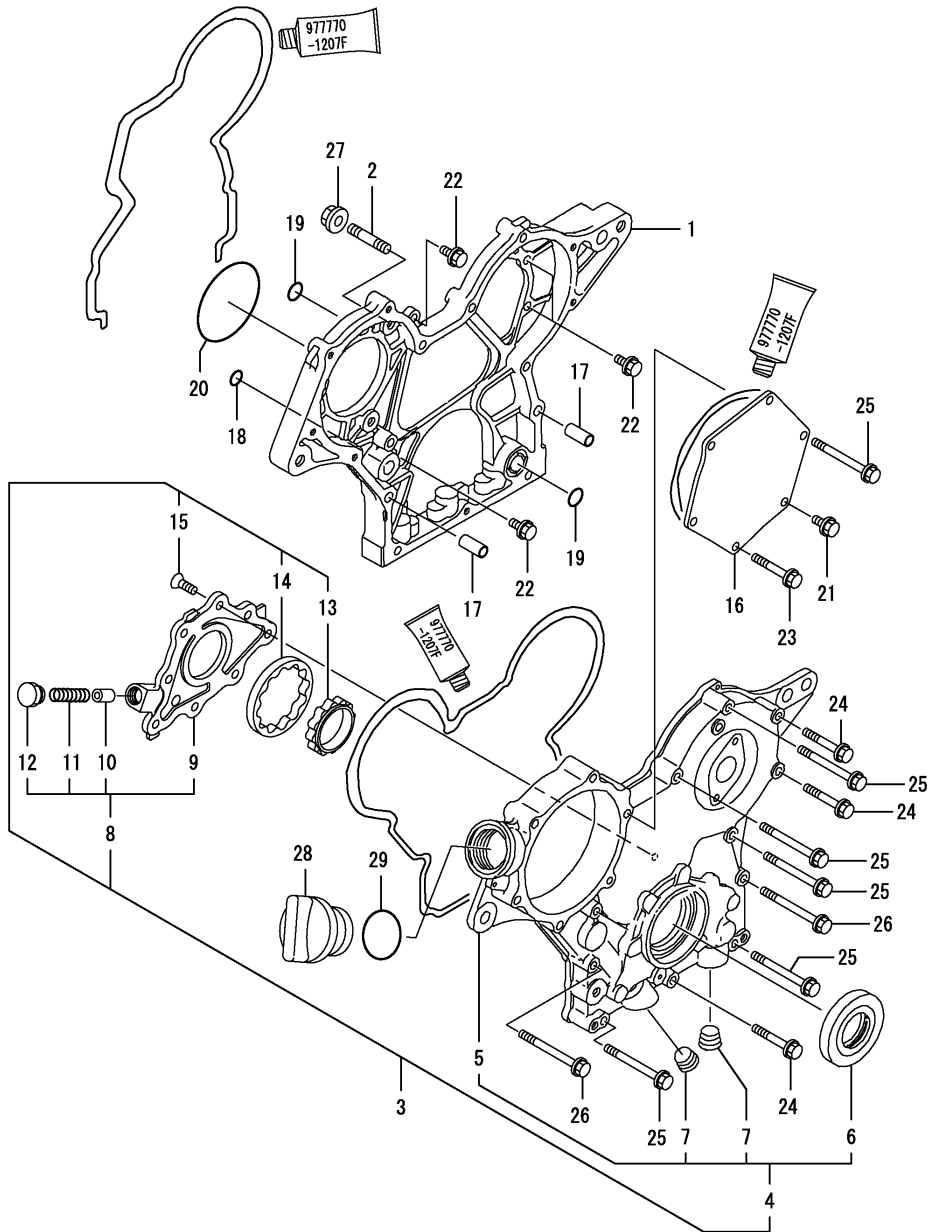




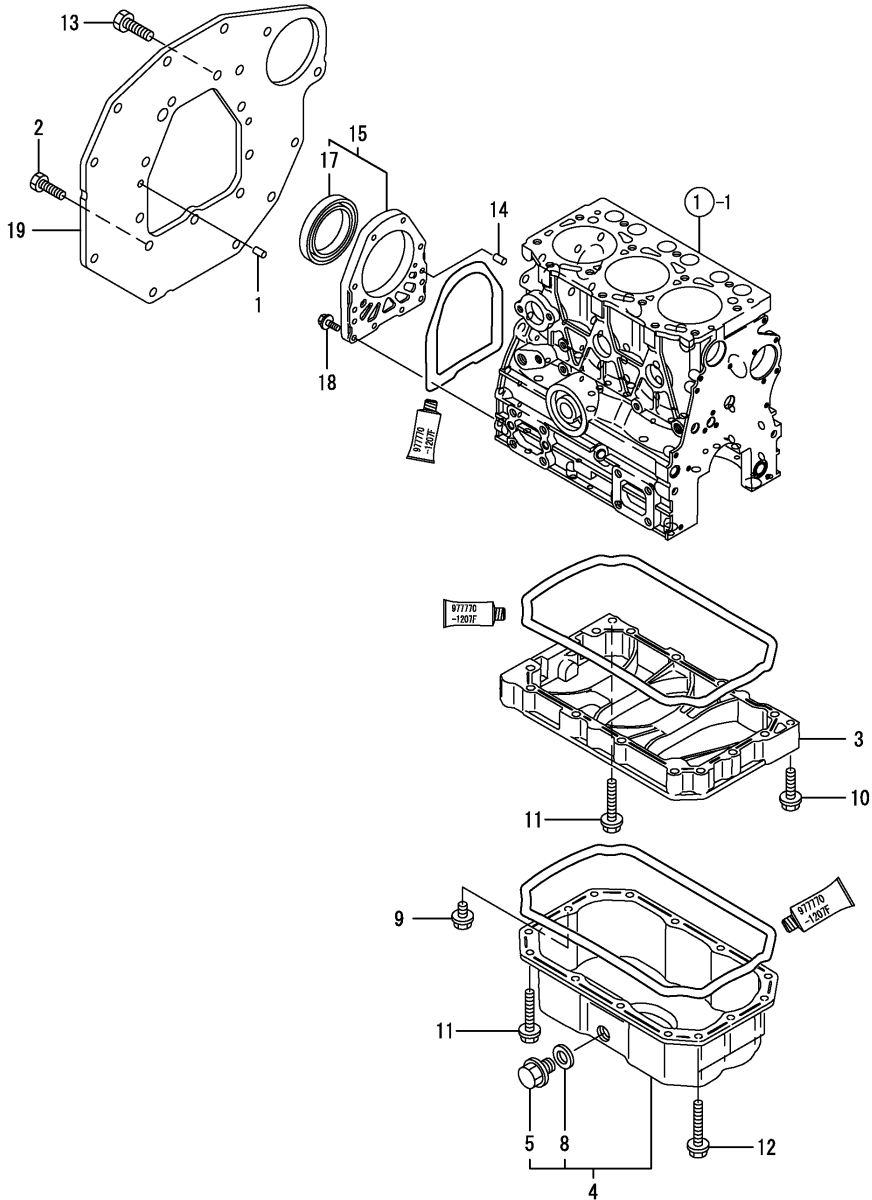
No.	Lev.	Parts No.	Description	Q'ty						I	R
				(A)	(B)	(C)	(D)	(E)	(F)		
1	1	719717-01561	BLOCK ASSY, CYLINDER	1							
4	2	124060-01050	PLUG, PT1/8	1							
5	2	105311-01090	PLUG, 30	4							
6	2	119623-01250	PLUG, 45	1							
7	2	124160-01910	PLUG, PT1/4	1							
8	2	119285-01990	PLUG, 25	3							
9	2	119620-02020	BOLT, METAL CAP	8							
12	2	119717-02411	BUSH, CAMSHAFT	1							
13	2	27241-120000	PLUG, 12	1							
23	2	119717-02930	BEARING, THRUST	2							
26	1	119810-01200	BOLT, HEAD	14							
27	1	119717-01330	GASKET, HEAD	1							
28	1	719717-02901	BEARING, MAIN	4							1
31	1	719717-02911	BEARING, 0.25 US	4							2
34	1	119810-02941	BEARING, THRUST 0.25	2							3

## Remarks

- (1) REPAIR PART.
- (2) UNDER-SIZED(U.S=0.25)PART.
- (3) OVER-SIZED(O.S=0.25)PART.



No.	Lev.	Parts No.	Description	Q'ty						I	R
				(A)	(B)	(C)	(D)	(E)	(F)		
1	1	119717-01501	CASE, GEAR	1							
2	1	119717-01570	STUD	3							
3	1	119734-01590	COVER ASSY,GEAR CASE	1							
4	2	719734-01500	COVER ASSY,GEAR CASE	1							
5	3	119717-01521	COVER, GEAR CASE	1							
6	3	119717-01800	SEAL, OIL	1							
7	3	23876-030000	PLUG, R03	2							
8	2	119717-32100	COVER ASSY	1							
9	3	119717-32080	COVER	1							
10	3	129900-32130	VALVE, RELIEF	1							
11	3	129001-32320	SPRING	1							
12	3	129001-32330	PLUG	1							
13	2	119717-32110	ROTOR, INNER	1							
14	2	119717-32120	ROTOR, OUTER	1							
15	2	119802-32130	SCREW, M6X16	8							
16	1	119717-01750	COVER	1							
17	1	119660-01911	PIPE, KNOCK	4							
18	1	119624-32040	O-RING, P12.0	1							
19	1	119717-32050	O-RING, P17.0	3							
20	1	121850-51960	O-RING	1							
21	1	26106-060122	BOLT, M6X 12 PLATED	1							
22	1	26106-060162	BOLT, M6X 16 PLATED	4							
23	1	26106-060402	BOLT, M6X 40 PLATED	4							
24	1	26106-060402	BOLT, M6X 40 PLATED	3							
25	1	26106-060602	BOLT, M6X 60 PLATED	7							
26	1	26106-060652	BOLT, M6X 65 PLATED	2							
27	1	26306-080002	NUT, M8	3							
28	1	124160-01751	COVER, FILLER	1							
29	1	24311-000320	O-RING, 1AP32.0	1							



(A)=3TNV76-XMHS

(B)=

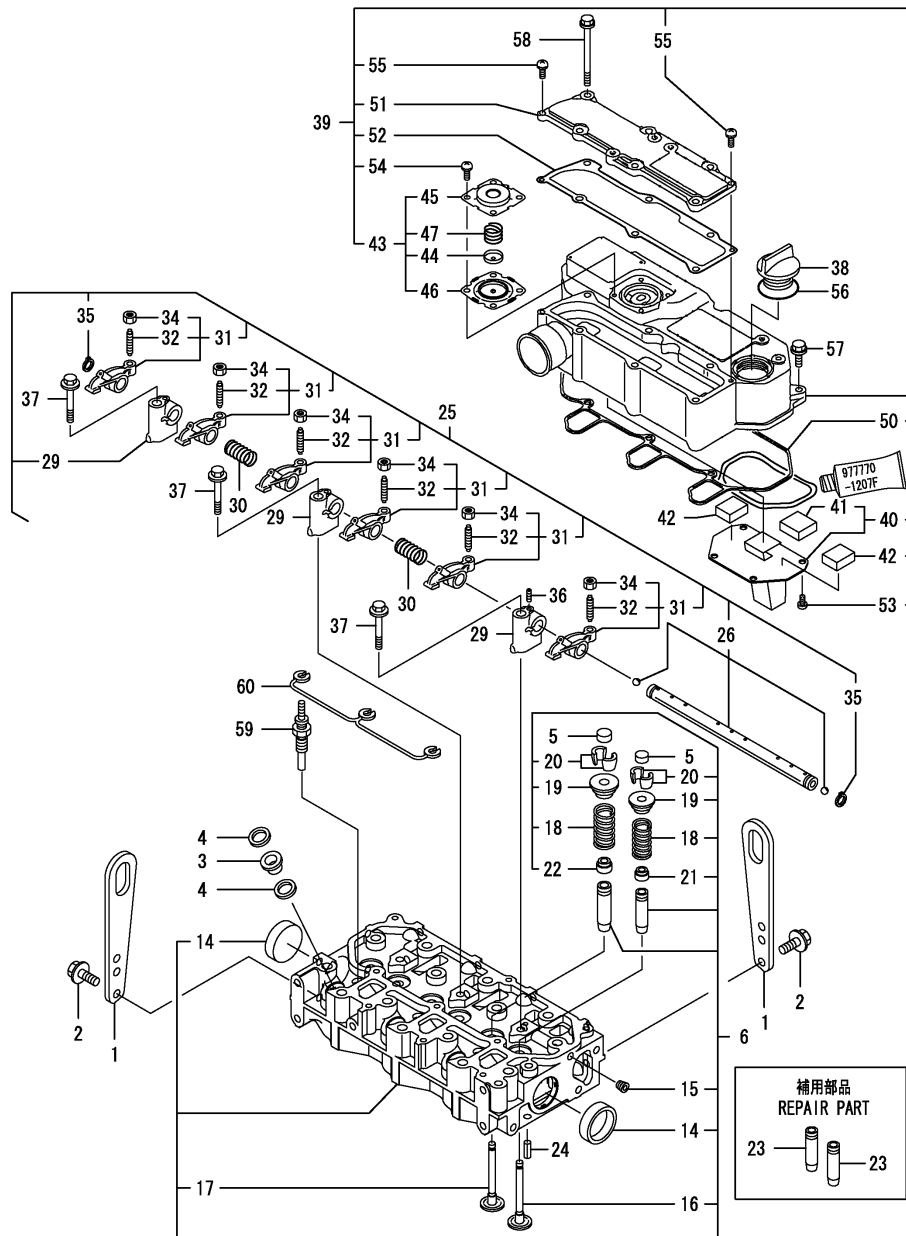
(C)=

(D)=

(E)=

(F)=

No.	Lev.	Parts No.	Description	Q'ty						I	R
				(A)	(B)	(C)	(D)	(E)	(F)		
1	1	129100-01580	PIN, M8X16	2							
2	1	26206-100252	BOLT, M10X 25 PLATED	3							
3	1	119717-01720	SPACER, OIL SUMP	1							
4	1	119717-01770	SUMP ASSY, OIL	1							
5	2	105425-01690	PLUG, 16	1							
8	2	22190-160002	WASHER, SEAL 16	1							
9	1	26106-080122	BOLT, M8X 12 PLATED	1							
10	1	26106-080302	BOLT, M8X 30 PLATED	1							
11	1	26106-080452	BOLT, M8X 45 PLATED	11							
12	1	26106-080502	BOLT, M8X 50 PLATED	3							
13	1	26116-100202	BOLT, M10X 20 PLATED	9							
14	1	119620-01620	PIN, M6X10	2							
15	1	119660-01640	CASE ASSY, OIL SEAL	1							
17	2	124085-02220	SEAL, OIL	1							
18	1	26106-060222	BOLT, M6X 22 PLATED	10							
19	1	119717-01620	FLANGE, MOUNTING	1							



No.	Lev.	Parts No.	Description	Q'ty						I	R
				(A)	(B)	(C)	(D)	(E)	(F)		
1	1	129900-07900	LIFTER	2							
2	1	26106-080162	BOLT, M8X 16 PLATED	4							
3	1	129901-11450	PROTECTOR, NOZZLE	3							
4	1	119600-11460	GASKET, NOZZLE	6							
5	1	105010-11490	CAP, VALVE	6							
6	1	119717-11740	HEAD ASSY, CYLINDER	1							
14	2	119285-11990	PLUG, 35	2							
15	2	23876-005000	PLUG, R005	1							
16	2	119717-11101	VALVE, INTAKE	3							
17	2	119717-11110	VALVE, EXHAUST	3							
18	2	119717-11131	SPRING, VALVE	6							
19	2	129508-11180	RETAINER, SPRING	6							
20	2	119717-11190	COTTER	12							
21	2	119717-11340	SEAL, VALVE STEM	3							
22	2	119717-11350	SEAL, VALVE STEM	3							
23	1	119717-11800	GUIDE, VALVE	6							1
24	1	22351-060012	PIN, SPRING 6.0X12	2							
25	1	119717-11200	SUPPORT ASSY, ARM	1							
26	2	119717-11240	SHAFT ASSY, ROCKER	1							
29	2	119717-11260	SUPPORT, ROCKER ARM	3							
30	2	119620-11280	SPRING	2							
31	2	119717-11650	ARM, ROCKER	6							
32	3	129150-11230	SCREW, VALVE ADJUST	6							
34	3	129150-11750	NUT, M8	6							
35	2	22242-000120	RING, 12	2							
36	2	26979-050162	SCREW, M5X16	1							
37	1	26106-080402	BOLT, M8X 40 PLATED	3							
38	1	124160-01751	COVER, FILLER	1							
39	1	119717-11381	BONNET ASSY, HEAD	1							
40	2	119717-03031	PLATE	1							
41	3	119717-03070	BAFFLE, BREATHER	1							
42	2	119717-03070	BAFFLE, BREATHER	2							
43	2	119802-03100	DIAPHRAGM ASSY	1							
44	3	119802-03110	PLATE	1							
45	3	119802-03121	COVER, DIAPHRAGM	1							
46	3	119802-03131	DIAPHRAGM	1							
47	3	119802-03141	SPRING, DIAPHRAGM	1							
50	2	119718-11310	GASKET, BONNET	1							
51	2	119717-11320	COVER, BONNET	1							
52	2	119717-11331	GASKET	1							
53	2	22857-500100	SCREW, 5X10	4							
54	2	22857-500100	SCREW, 5X10	4							
55	2	22857-500160	SCREW, 5X16	2							
56	1	24311-000320	O-RING, 1AP32.0	1							
57	1	26106-060202	BOLT, M6X 20 PLATED	3							
58	1	26106-060752	BOLT, M6X 75 PLATED	6							
59	1	119717-77800	PLUG, GLOW	3							
60	1	119717-77820	CONNECTOR, GLOW PLUG	1							

## Remarks

(1) REPAIR PART.

(A)=3TNV76-XMHS

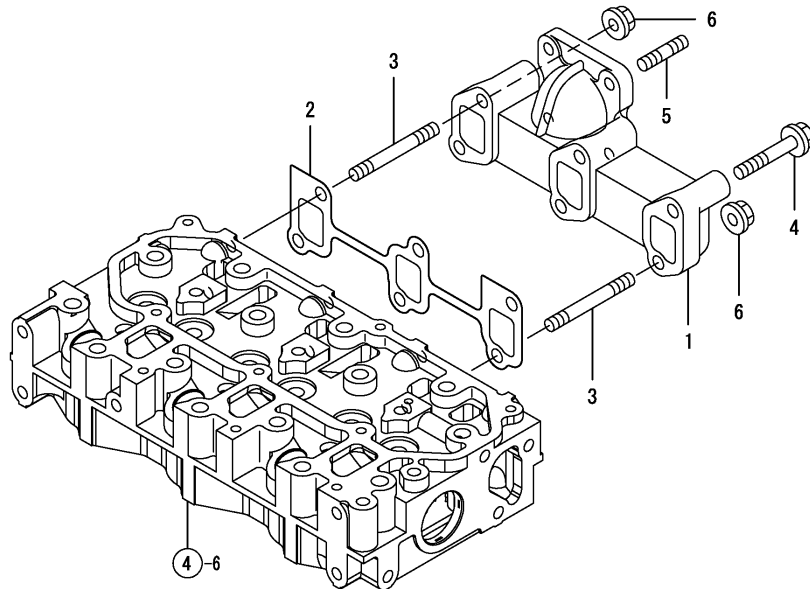
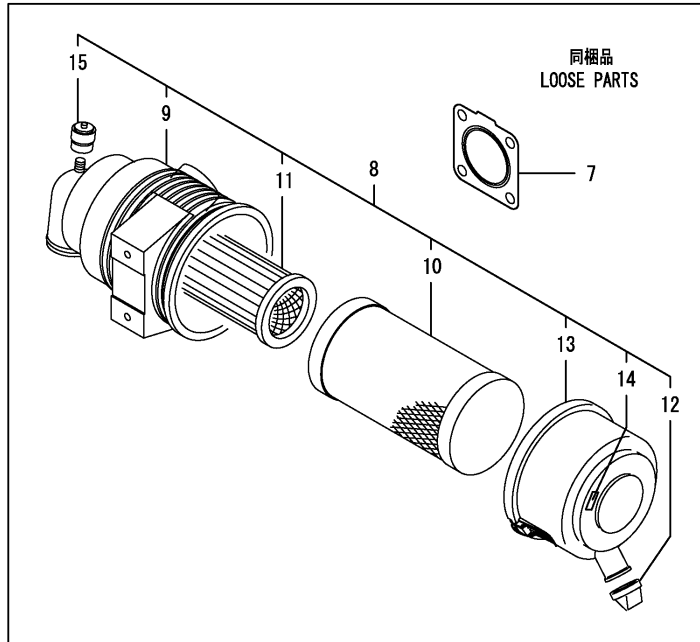
(B)=

(C)=

(D)=

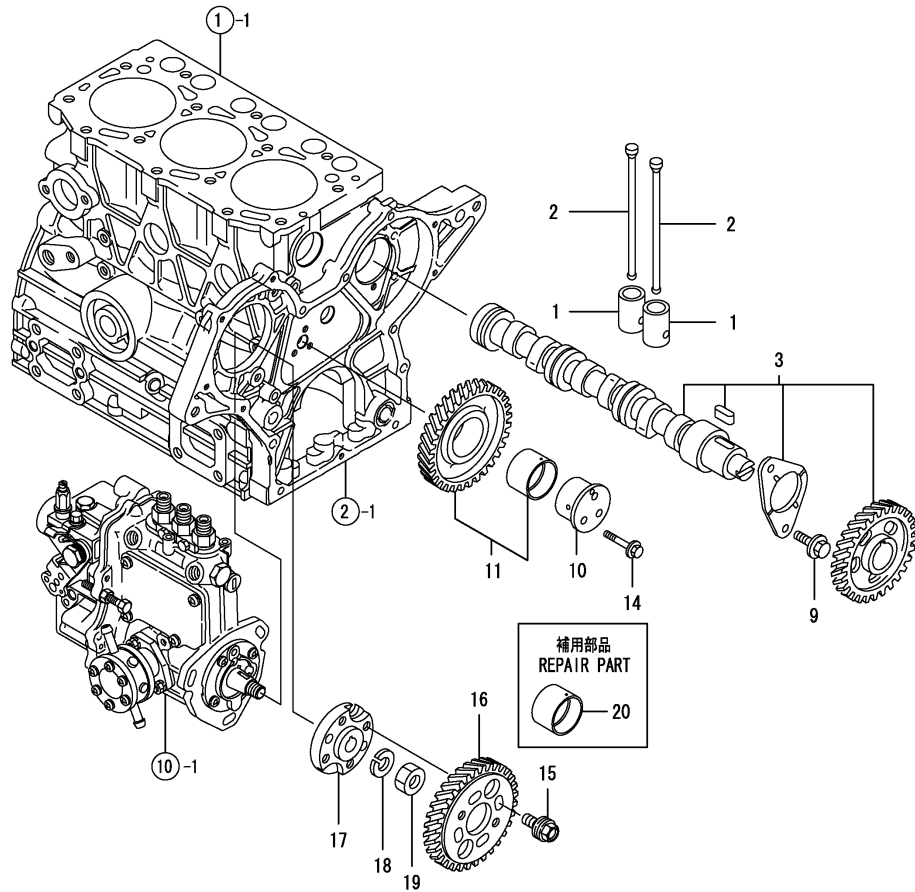
(E)=

(F)=



No.	Lev.	Parts No.	Description	Q'ty						I	R
				(A)	(B)	(C)	(D)	(E)	(F)		
1	1	119718-13100	MANIFOLD, EXHAUST	1							
2	1	119717-13110	GASKET	1							
3	1	119717-13600	STUD, M8X50	2							
4	1	119802-13620	BOLT, M8X50	4							
5	1	119131-18320	STUD, M8X22	4							
6	1	26306-080002	NUT, M8	2							
7	1	119515-13200	GASKET, SILENCER	1							
8	1	119910-12601	CLEANER ASSY, AIR	1							
9	2	119910-12510	BODY, AIR CLEANER	1							
10	2	119808-12520	ELEMENT	1							
11	2	129051-12530	ELEMENT	1							
12	2	119808-12540	VALVE, UNLOADER	1							
13	2	119866-12541	COVER ASSY	1							
14	2	129612-12650	LABEL, MARKING	1							
15	2	126650-12680	INDICATOR	1							





(A)=3TNV76-XMHS

(B)=

(C)=

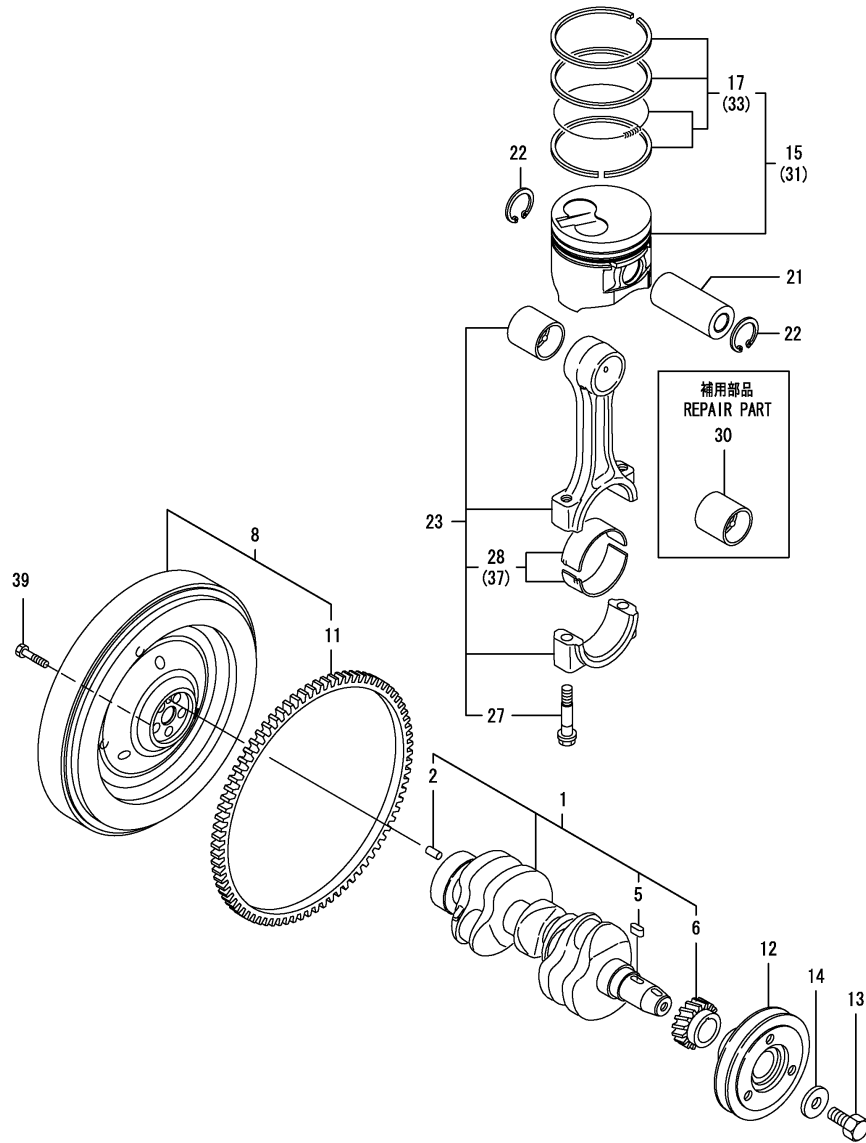
(D)=

(E)=

(F)=

No.	Lev.	Parts No.	Description	Q'ty						I	R
				(A)	(B)	(C)	(D)	(E)	(F)		
1	1	119620-14200	TAPPET	6							
2	1	119717-14400	ROD, PUSH	6							
3	1	119717-14581	CAMSHAFT ASSY	1							
9	1	26106-060122	BOLT, M6X 12 PLATED	2							
10	1	119717-25050	SHAFT, IDLE	1							
11	1	119717-25101	GEAR ASSY, IDLE	1							
14	1	26106-060352	BOLT, M6X 35 PLATED	3							
15	1	129150-25301	BOLT	4							
16	1	119717-25930	GEAR, PUMP	1							
17	1	119717-51150	FLANGE	1							
18	1	22217-120000	WASHER, SPRING 12	1							
19	1	26716-120002	NUT, M12	1							
20	1	119717-25911	BUSH, IDLE GEAR	1							1

Remarks  
(1) REPAIR PART.



(A)=3TNV76-XMHS

(B)=

(C)=

(D)=

(E)=

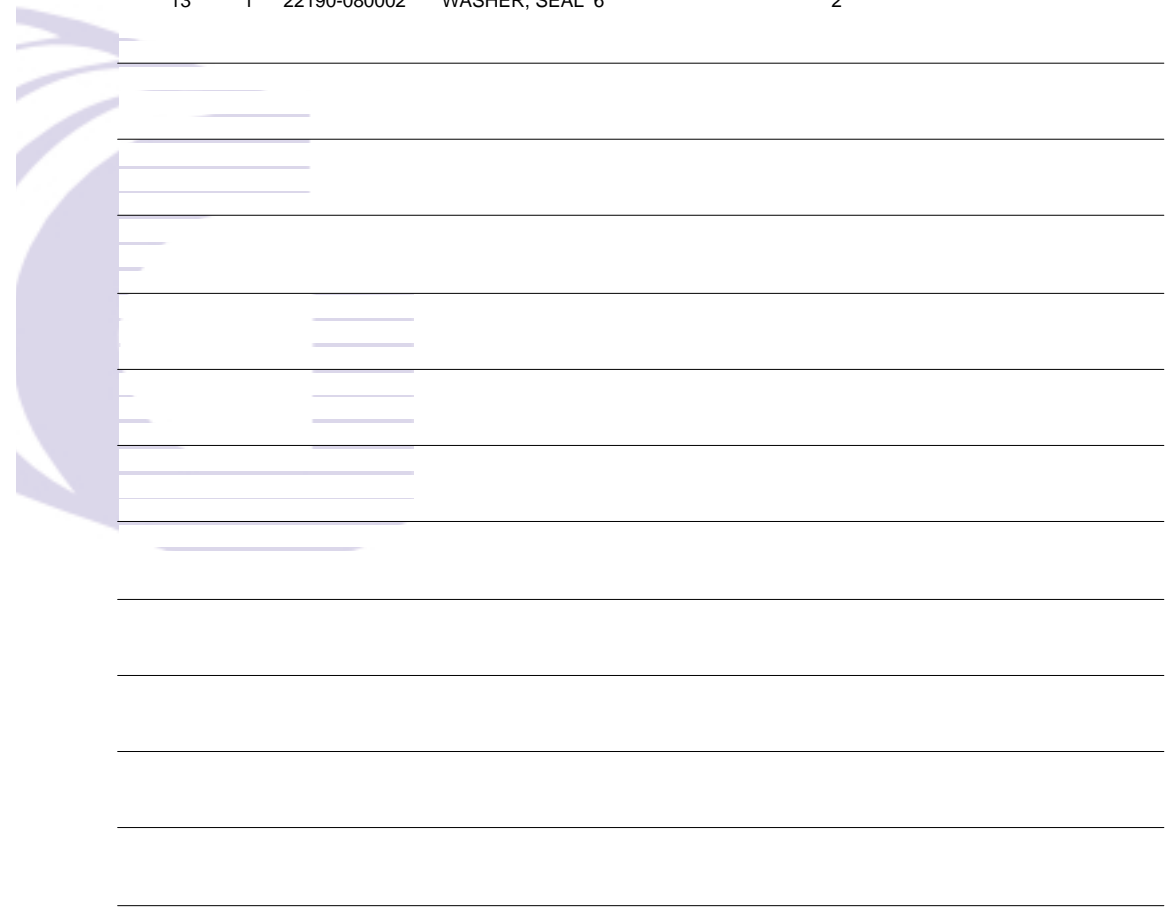
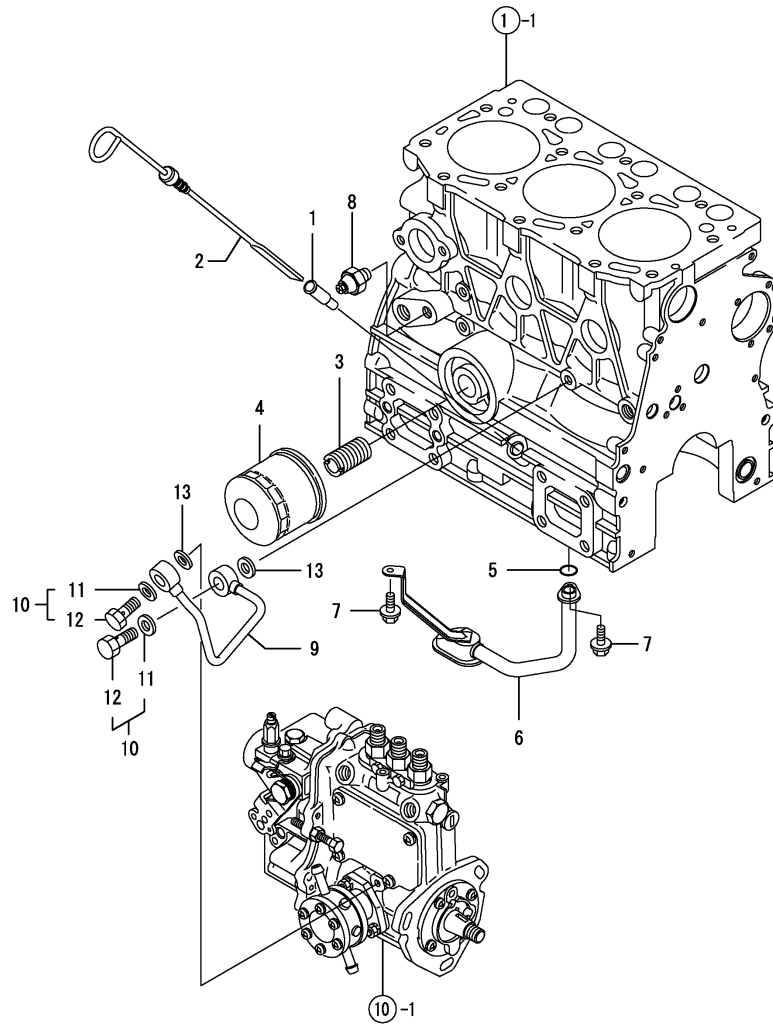
(F)=

No.	Lev.	Parts No.	Description	Q'ty						I	R
				(A)	(B)	(C)	(D)	(E)	(F)		
1	1	119717-21700	CRANKSHAFT ASSY	1							
2	2	129100-01580	PIN, M8X16	1							
5	2	22512-040120	KEY, 4X 12	1							
6	2	119717-21200	GEAR, CRANKSHAFT	1							
8	1	119636-21580	FLYWHEEL ASSY	1							
11	2	119865-21600	GEAR, RING	1							
12	1	119717-21650	V-PULLEY	1							
13	1	119621-21680	BOLT, FLANGE 12X1.25	1							
14	1	119620-21941	WASHER	1							
15	1	119717-22080	PISTON ASSY	3							
17	2	119717-22500	RING SET, PISTON	3							
21	1	119717-22300	PIN, PISTON	3							
22	1	22252-000220	RING, 22	6							
23	1	119717-23000	ROD ASSY, CONNECTING	3							
27	2	119717-23200	BOLT, CONNECTING ROD	6							
28	2	119717-23601	BEARING, CRANK PIN	3							
30	1	119717-23910	BEARING, PISTON PIN	3							1
31	1	119717-22900	PISTON ASSY, 0.25 OS	3							3
33	2	119717-22550	RING SET, 0.25 OS	3							3
37	1	119717-23611	METAL ASSY, 0.25	3							2
39	1	121111-21501	BOLT, FLYWHEEL	5							

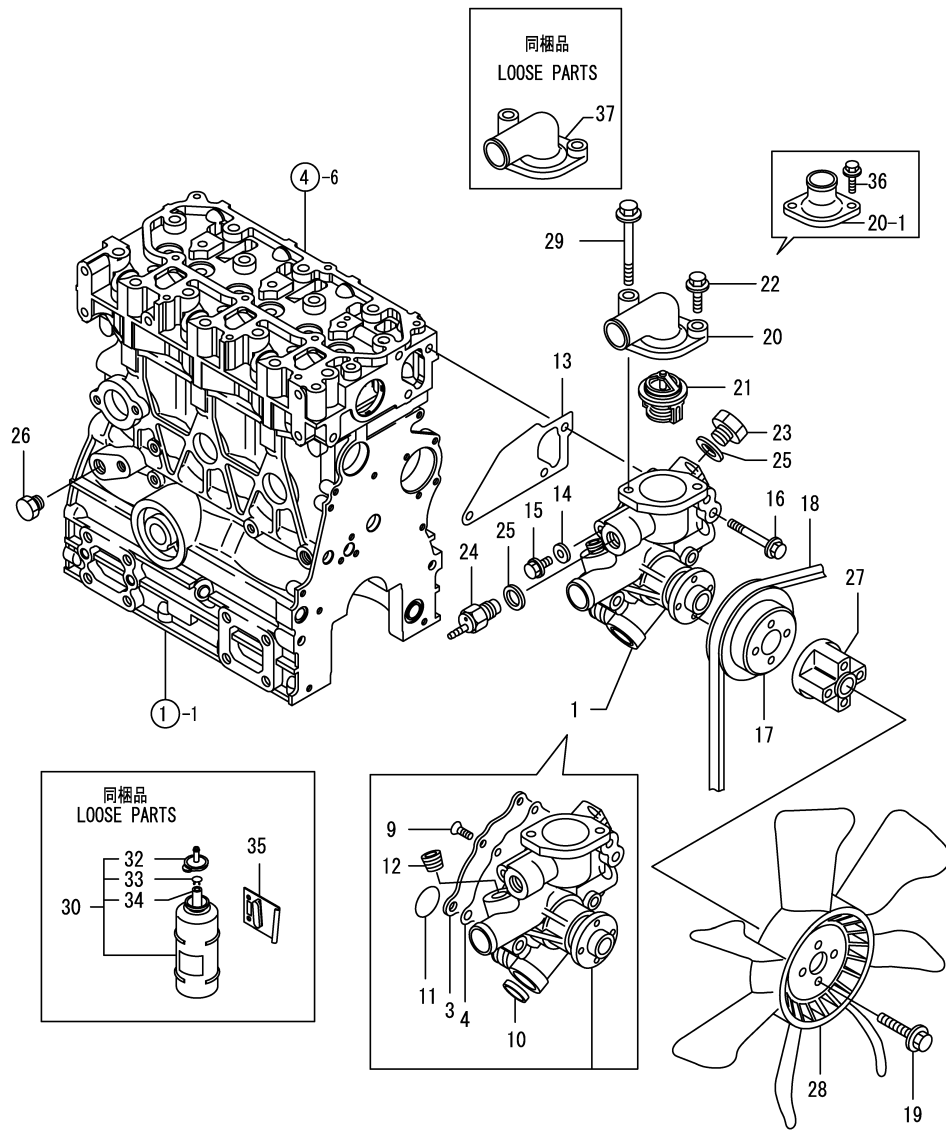
Remarks

- (1) REPAIR PART.
- (2) UNDER-SIZED(U.S=0.25)PART.
- (3) OVER-SIZED(O.S=0.25)PART.

No.	Lev.	Parts No.	Description	(A)	(B)	(C)	(D)	(E)	(F)	I	R
1	1	121520-34810	GUIDE, DIPSTICK	1							
2	1	119717-34801	DIPSTICK, OIL	1							
3	1	129100-35140	STUD	1							
4	1	119305-35151	FILTER ASSY, D68XL65	1							1
5	1	119717-32060	O-RING, P15.0	1							
6	1	119717-35080	PIPE ASSY, OIL INLET	1							
7	1	26106-060102	BOLT, M6X 10 PLATED	2							
8	1	114250-39450	SWITCH, 0.5KG	1							
9	1	119717-39210	PIPE, OIL	1							
10	1	129005-59830	BOLT ASSY, JOINT M8	2							
11	2	22190-080002	WASHER, SEAL 6	2							
12	2	23857-030000	BOLT, JOINT 3	2							
13	1	22190-080002	WASHER, SEAL 6	2							



Remarks  
(1) REPAIR PART.



(A)=3TNV76-XMHS

(B)=

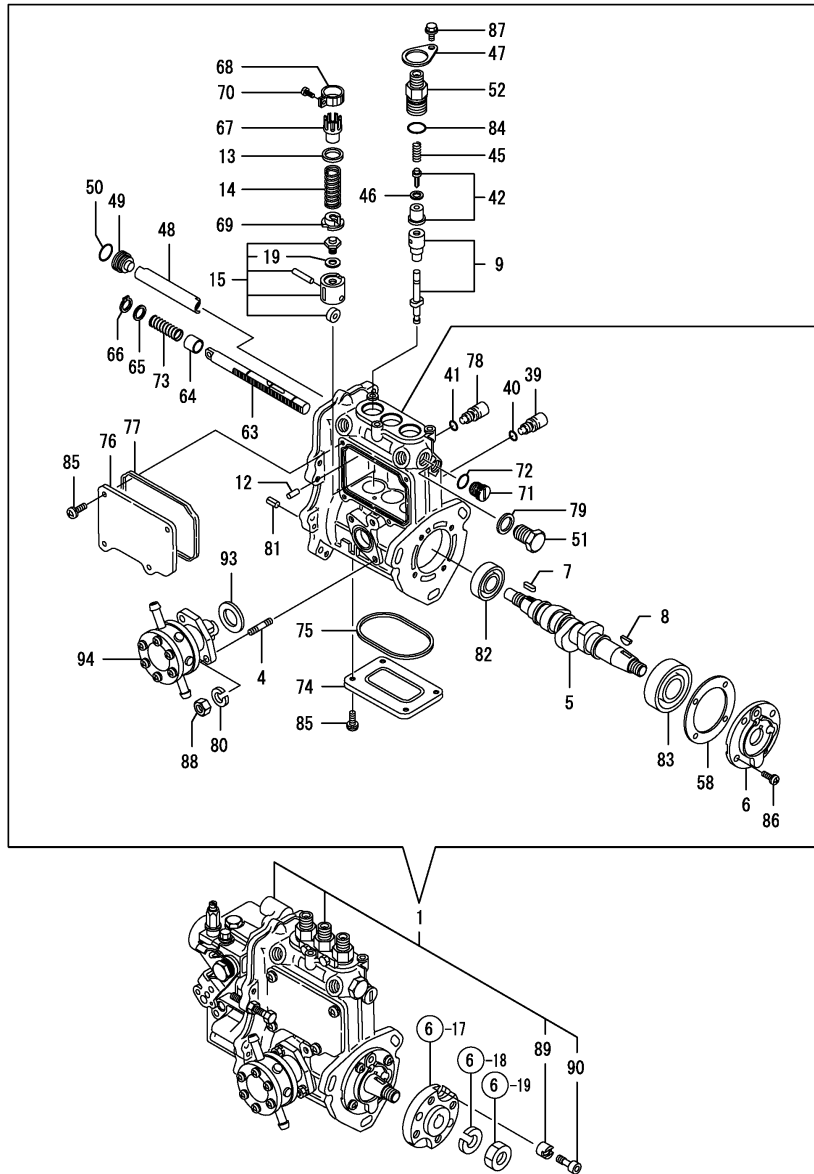
(C)=

(D)=

(E)=

(F)=

No.	Lev.	Parts No.	Description	Q'ty						I	R
				(A)	(B)	(C)	(D)	(E)	(F)		
1	1	119717-42002	PUMP ASSY, WATER	1							
1-1	1	119E10-42000	PUMP ASSY, WATER	1							N
(A=E/ B5737)											
3	2	119717-42041	COVER	1							
4	2	119717-42031	GASKET	1							
9	2	26577-060122	SCREW, M6X12	4							
10	2	27241-250000	PLUG, 25	1							
11	2	119717-42320	O-RING, P26	1							
11-1	2	119C10-42320	O-RING, 2028	1							S
(A=E/ B5737)											
12	2	129916-49740	PLUG, R03	1							
13	1	119717-42020	GASKET, WATER PUMP	1							
14	1	23414-080000	GASKET, 8X1.0	1							
15	1	26106-080122	BOLT, M8X 12 PLATED	1							
16	1	26106-080502	BOLT, M8X 50 PLATED	3							
17	1	119515-42350	V-PULLEY, D=110	1							
18	1	119865-42290	V-BELT, A36.5	1							
19	1	26106-060402	BOLT, M6X 40 PLATED	4							
20	1	124101-49531	COVER, THERMOSTAT	1							
20-1	1	129350-49530	COVER, THERMOSTAT	1							N
(A=EA6782)											
21	1	119718-49800	THERMOSTAT, 82	1							
22	1	26106-080252	BOLT, M8X 25 PLATED	1							
23	1	121450-42450	PLUG, M16	1							
24	1	121250-44901	SWITCH, 110	1							
25	1	124465-44950	GASKET, 16	2							
26	1	171056-49120	PLUG, DRAIN	1							
27	1	171353-44760	SPACER, FAN	1							
28	1	119626-44741	FAN, COOLING D=320X7	1							
29	1	26106-080652	BOLT, M8X 65 PLATED	1							
30	1	124450-44510	TANK ASSY, SUB	1							
32	2	124450-44530	CAP	1							
33	2	124450-44560	RETAINER	1							
34	2	23061-070230	PIPE, 7X 230	1							
35	1	121256-44600	BRACKET, SUB TANK	1							
36	1	26106-080202	BOLT, M8X 20 PLATED	2							W
(A=EA6782)											
37	1	124101-49531	COVER, THERMOSTAT	1							W
(A=EA6782)											



No.	Lev.	Parts No.	Description	Q'ty						I	R
				(A)	(B)	(C)	(D)	(E)	(F)		
1	1	719751-51400	PUMP ASSY, INJECTION	1							1
4	2	129155-51020	STUD	2							
5	2	119717-51030	CAMSHAFT	1							
6	2	119717-51060	SUPPORT, CAMSHAFT	1							
7	2	119717-51070	KEY	1							
8	2	122710-51090	KEY	1							
9	2	119717-51100	PLUNGER ASSY	3							
12	2	129155-51140	PIN	3							
13	2	158600-51170	RETAINER, SPRING	3							
14	2	119717-51190	SPRING, PLUNGER	3							
15	2	119717-51200	TAPPET ASSY	3							
19	3	129155-51600	SHIM SET, ADJUSTING	3							
39	2	158600-51270	STOPPER, TAPPET	3							
40	2	129155-51280	O-RING, S6	3							
41	2	129155-51280	O-RING, S6	1							
42	2	119717-51300	VALVE ASSY, DELIVERY	3							
45	2	119717-51330	SPRING, DELIVERY	3							
46	2	124550-51350	GASKET, DELIVERY	3							
47	2	118400-51370	LOCKING	3							
48	2	129155-51400	DEFLECTOR	1							
49	2	158600-51410	PLUG, DEFLECTOR	1							
50	2	119717-51420	O-RING	1							
51	2	158600-51420	PLUG, DEFLECTOR	1							
52	2	158600-51442	VALVE ASSY, DELIVERY	3							
58	2	129155-51450	SHIM SET, ADJUSTING	1							
63	2	119717-51500	RACK, CONTROL	1							
64	2	129155-51521	BUSH, RACK	1							
65	2	129155-51530	SPACER	1							
66	2	129155-51540	CIRCLIP	1							
67	2	129155-51550	PINION, CONTROL	3							
68	2	129100-51560	PINION	3							
69	2	119717-51570	RETAINER, SPRING	3							
70	2	129100-51570	SCREW	3							
71	2	158600-51570	PLUG	1							
72	2	129155-51580	O-RING	1							
73	2	129155-51591	SPRING, RACK	1							
74	2	129155-51701	COVER	1							
75	2	119717-51711	GASKET	1							
76	2	119717-51750	COVER	1							
77	2	119717-51761	GASKET	1							
78	2	158600-51790	STOOPER, RACK	1							
79	2	22190-160002	WASHER, SEAL 16	1							
80	2	22217-060000	WASHER, SPRING 6	2							
81	2	22351-050010	PIN, SPRING 5.0X10	2							
82	2	24101-060034	BEARING, BALL 6003	1							
83	2	24101-063034	BEARING, BALL 6303	1							
84	2	24316-000150	O-RING, 4DP15.0	3							
85	2	26022-050122	SCREW, M5X12	8							
86	2	26022-060162	SCREW, M6X16	4							
87	2	26106-050102	BOLT, M5X 10 PLATED	3							
88	2	26716-060002	NUT, M6	2							

Remarks  
 (1) GOVERNOR ASSY(FIG.11) IS  
 INCORPORATED IN THIS FUEL  
 INJECTION PUMP.(REF.NO.1).

(A)=3TNV76-XMHS

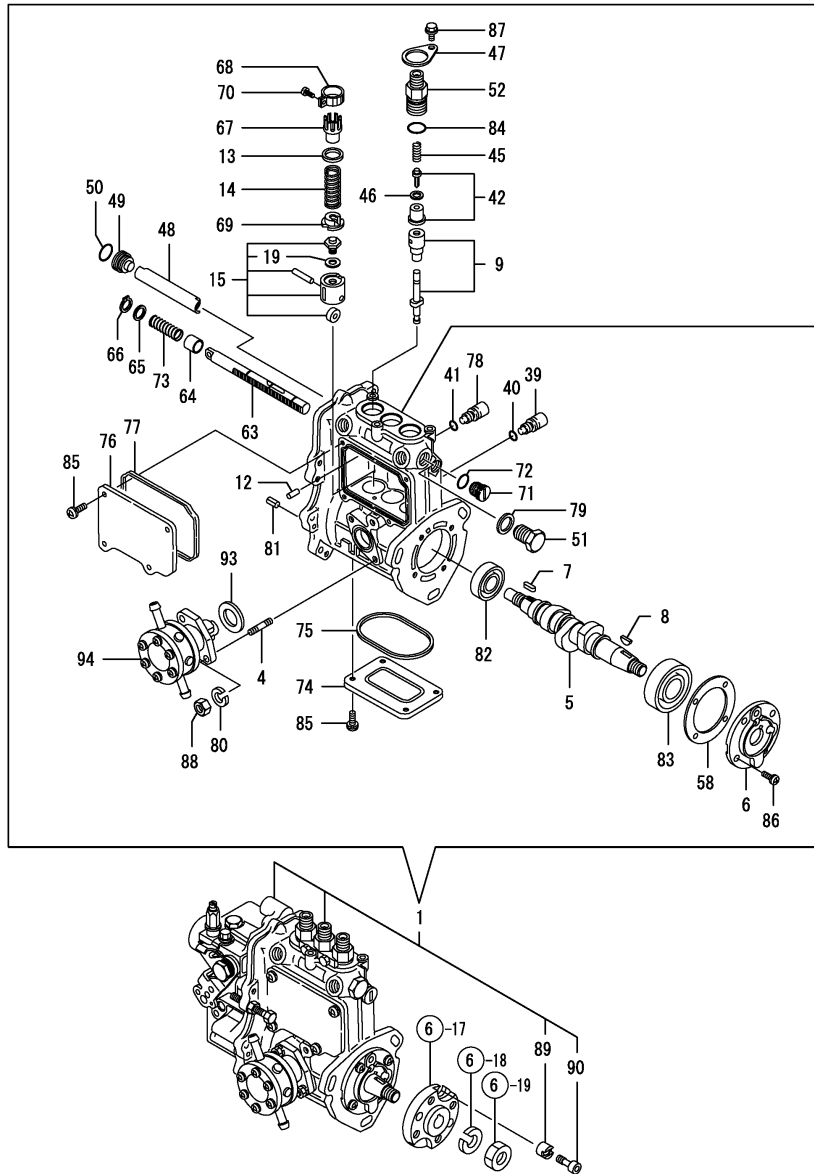
(B)=

(C)=

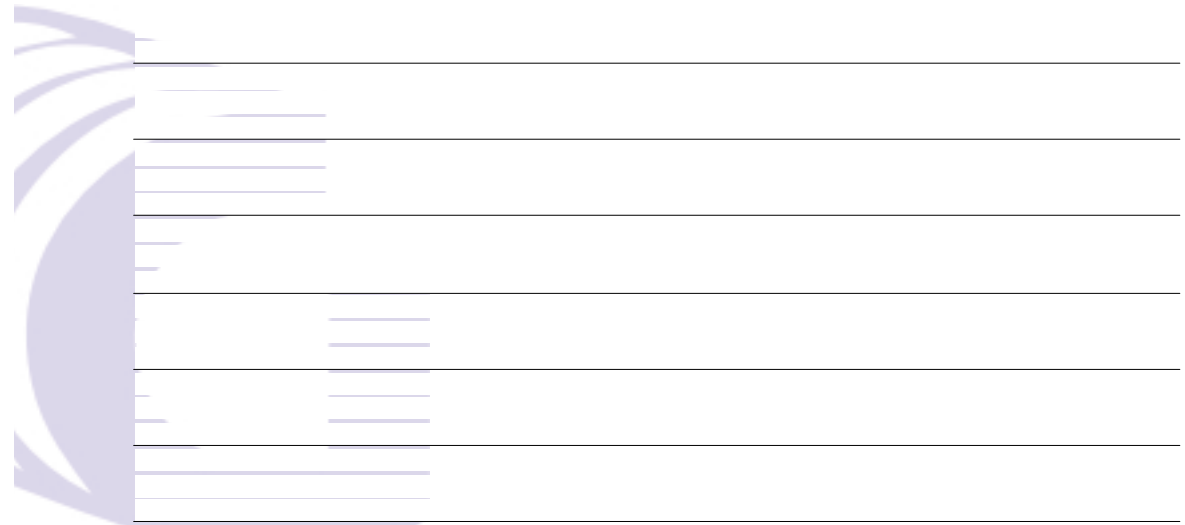
(D)=

(E)=

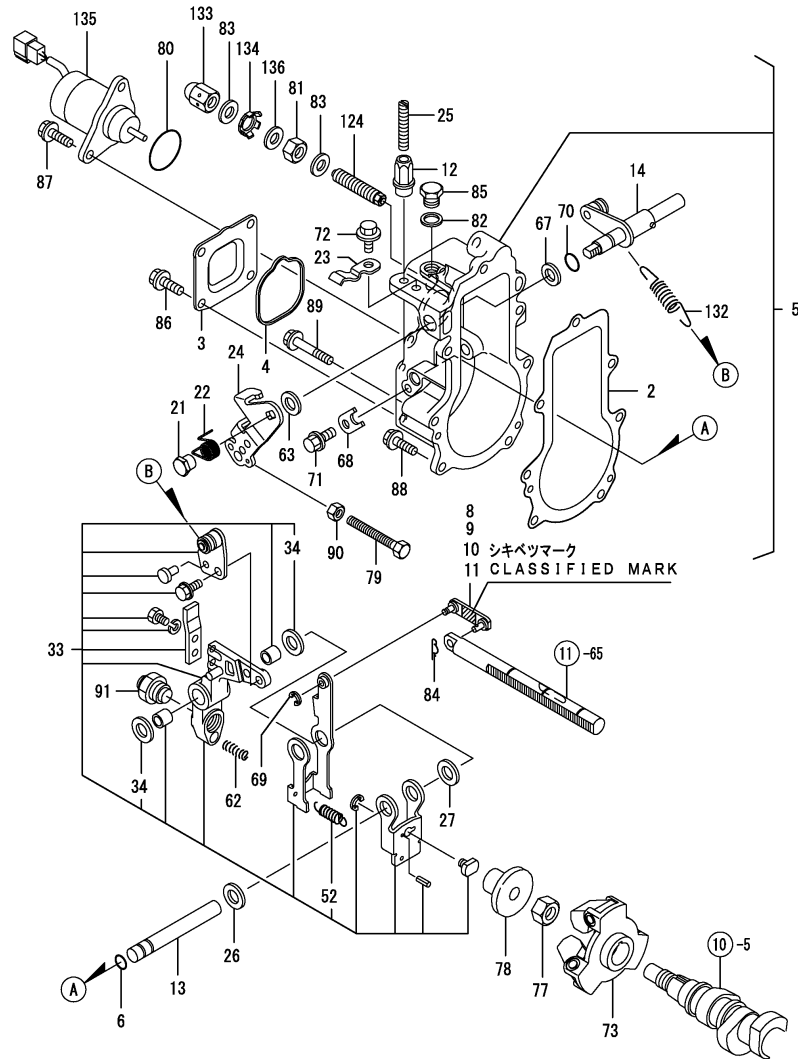
(F)=



No.	Lev.	Parts No.	Description	Q'ty						I	R
				(A)	(B)	(C)	(D)	(E)	(F)		
89	2	119717-51480	COLLAR	1							
90	2	119717-51490	BOLT	1							
93	2	129155-52051	GASKET	1							
94	2	129100-52101	PUMP ASSY, FUEL FEED	1							



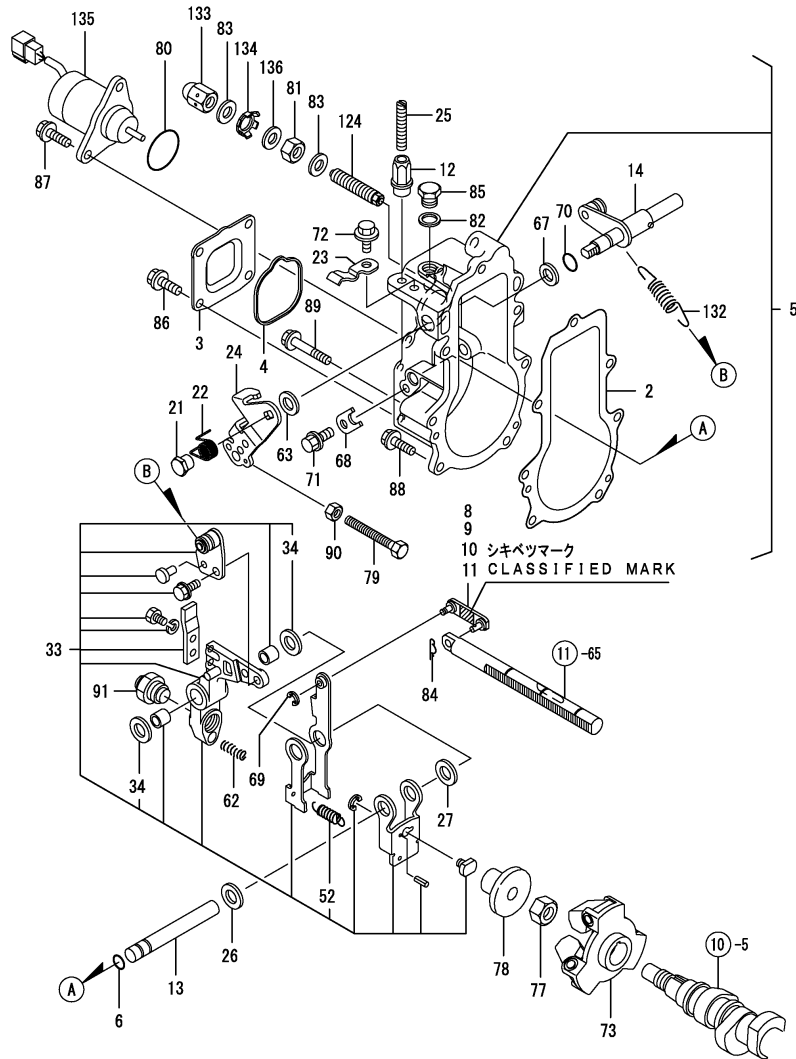
Remarks  
 (1) GOVERNOR ASSY(FIG.11) IS  
 INCORPORATED IN THIS FUEL  
 INJECTION PUMP.(REF.NO.1).



Remarks  
 \* THIS FIGURE(GOVERNOR ASSY)IS  
 INCORPORATED IN THE FUEL INJECTION  
 PUMP ASSY(FIG.10).  
 (1) SELECTIVE PARTS:CERTAIN THE  
 CLASSIFICATION MARK, THEN PLACE  
 YOUR ORDER. (REF.TO.ILLUSTRATION).

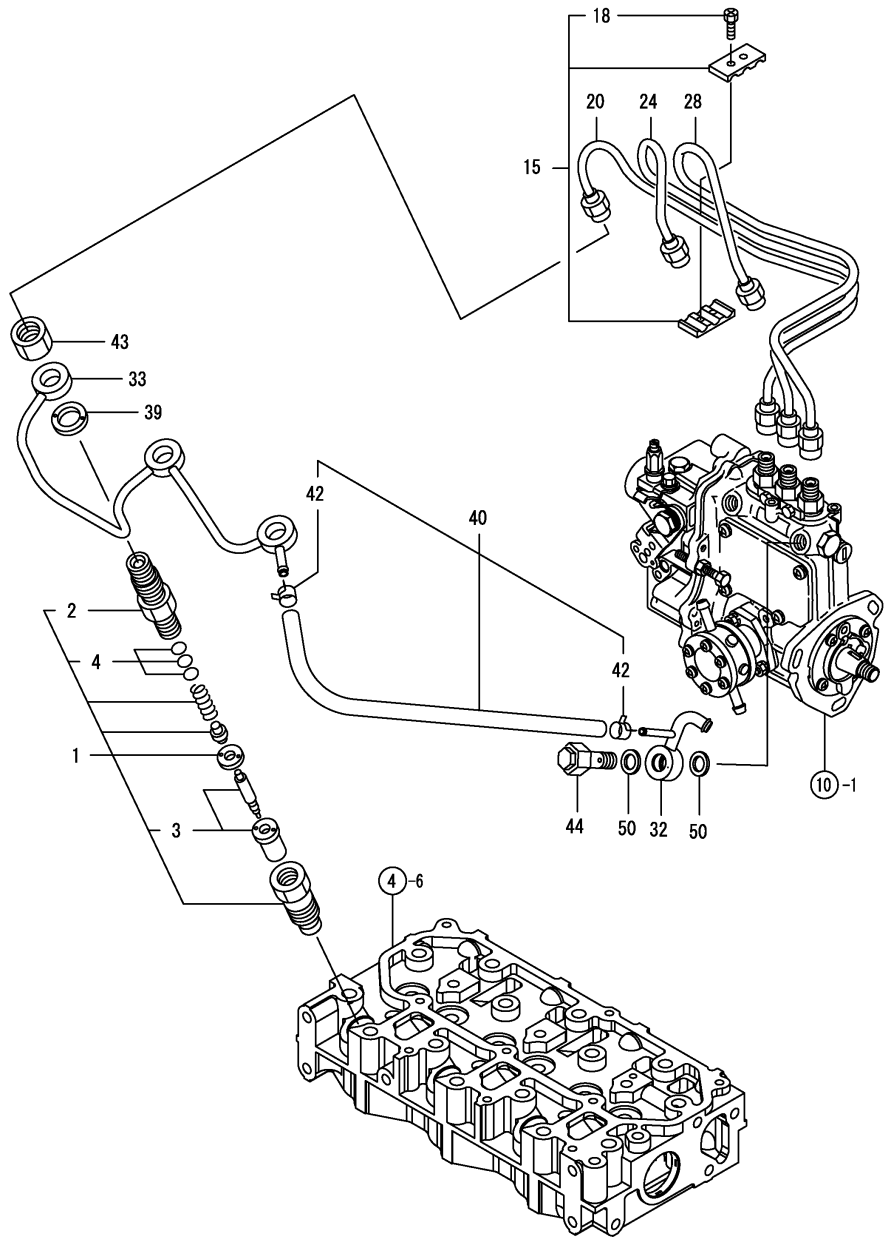
No.	Lev.	Parts No.	Description	Q'ty						I	R
				(A)	(B)	(C)	(D)	(E)	(F)		
2	2	119717-61050	GASKET	1							
3	2	119717-61060	COVER, GOVERNOR CASE	1							
4	2	119717-61070	GASKET	1							
5	2	119540-61100	CASE ASSY, GOVERNOR	1							
6	3	129155-51280	O-RING, S6	1							
8	3	119717-61120	LINK, MARK :3	1							1
9	3	119717-61130	LINK, MARK 98	1							1
10	3	119717-61140	LINK, MARK 88	1							1
11	3	119717-61150	LINK, MARK 03	1							1
12	3	129209-61370	NUT, M6	1							
13	3	129052-61390	SHAFT	1							
14	3	119717-61400	SHAFT ASSY	1							
21	3	129255-61410	NUT, LOCK	1							
22	3	119534-61420	SPRING	1							
23	3	119534-61430	RETAINER	1							
24	3	119515-61440	LEVER, CONTROL	1							
25	3	129155-61450	BOLT, LIMITER	1							
26	3	129156-61460	SHIM, T=0.6	1							
27	3	129155-61480	SPACER ASSY	1							
33	3	119761-61500	LEVER ASSY, GOVERNOR	1							
34	4	174307-51700	SHIM SET	2							
52	4	129486-61540	SPRING, SET	1							
62	3	129486-61650	SPRING, STARTING	1							
63	3	158552-61700	SHIM SET	1							
67	3	158552-61710	SHIM, T=1.0	1							
68	3	119660-61901	RETAINER, SHAFT	1							
69	3	22272-000030	RING, E-3	1							
70	3	24341-000070	O-RING, 1AS7.0	1							
71	3	26106-060102	BOLT, M6X 10 PLATED	1							
72	3	26106-060102	BOLT, M6X 10 PLATED	1							
73	2	119717-61200	WEIGHT ASSY,GOVERNOR	1							
77	2	129008-61301	NUT	1							
78	2	129155-61341	SLEEVE	1							
79	2	129155-61460	BOLT, IDLE	1							
80	2	158552-61900	O-RING	1							
81	2	129209-61920	NUT, ARB	1							
82	2	22190-100002	WASHER, SEAL 10	1							
83	2	22190-120002	WASHER, SEAL 12	2							
84	2	22372-040000	PIN, SNAP 4	1							
85	2	23887-100002	PLUG, 10	1							
86	2	26106-060102	BOLT, M6X 10 PLATED	4							
87	2	26106-060142	BOLT, M6X 14 PLATED	2							
88	2	26106-060202	BOLT, M6X 20 PLATED	4							
89	2	26106-060452	BOLT, M6X 45 PLATED	3							
90	2	26756-060002	NUT, LOCK M6	1							
91	2	119513-61550	ANGLEICH ASSY	1							
124	2	158601-61700	LIMITER ASSY, FUEL	1							
132	2	129500-61720	SPRING, GOVERNOR	1							
133	2	129209-61930	NUT, CAP	1							
134	2	129209-61970	PLATE	1							
135	2	119653-77950	SOLENOID, STOP	1							

No.	Lev.	Parts No.	Description	Q'ty						I	R
				(A)	(B)	(C)	(D)	(E)	(F)		
136	2	23414-120016	GASKET, 12X1.0	1							



Remarks  
 \* THIS FIGURE(GOVERNOR ASSY)IS  
 INCORPORATED IN THE FUEL INJECTION  
 PUMP ASSY(FIG.10).  
 (1) SELECTIVE PARTS:CERTAIN THE  
 CLASSIFICATION MARK, THEN PLACE  
 YOUR ORDER. (REF.TO.ILLUSTRATION).



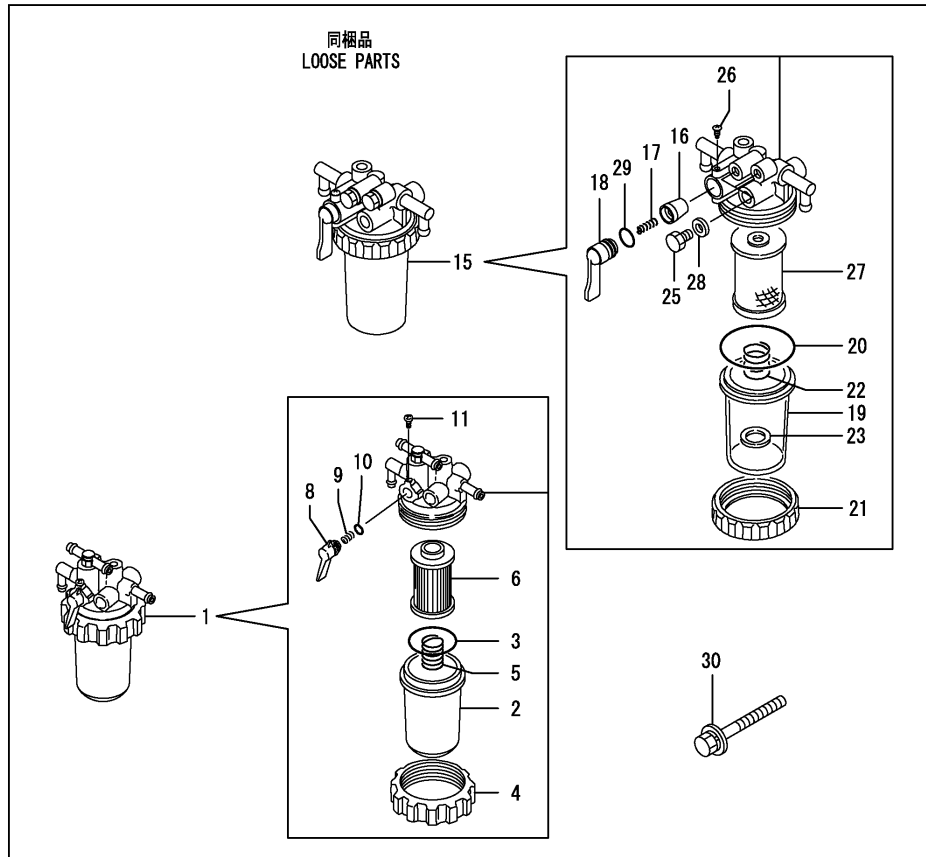
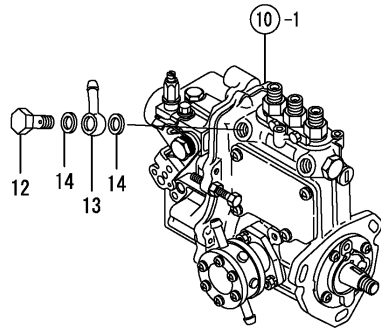


(A)=3TNV76-XMHS  
(B)=  
(C)=

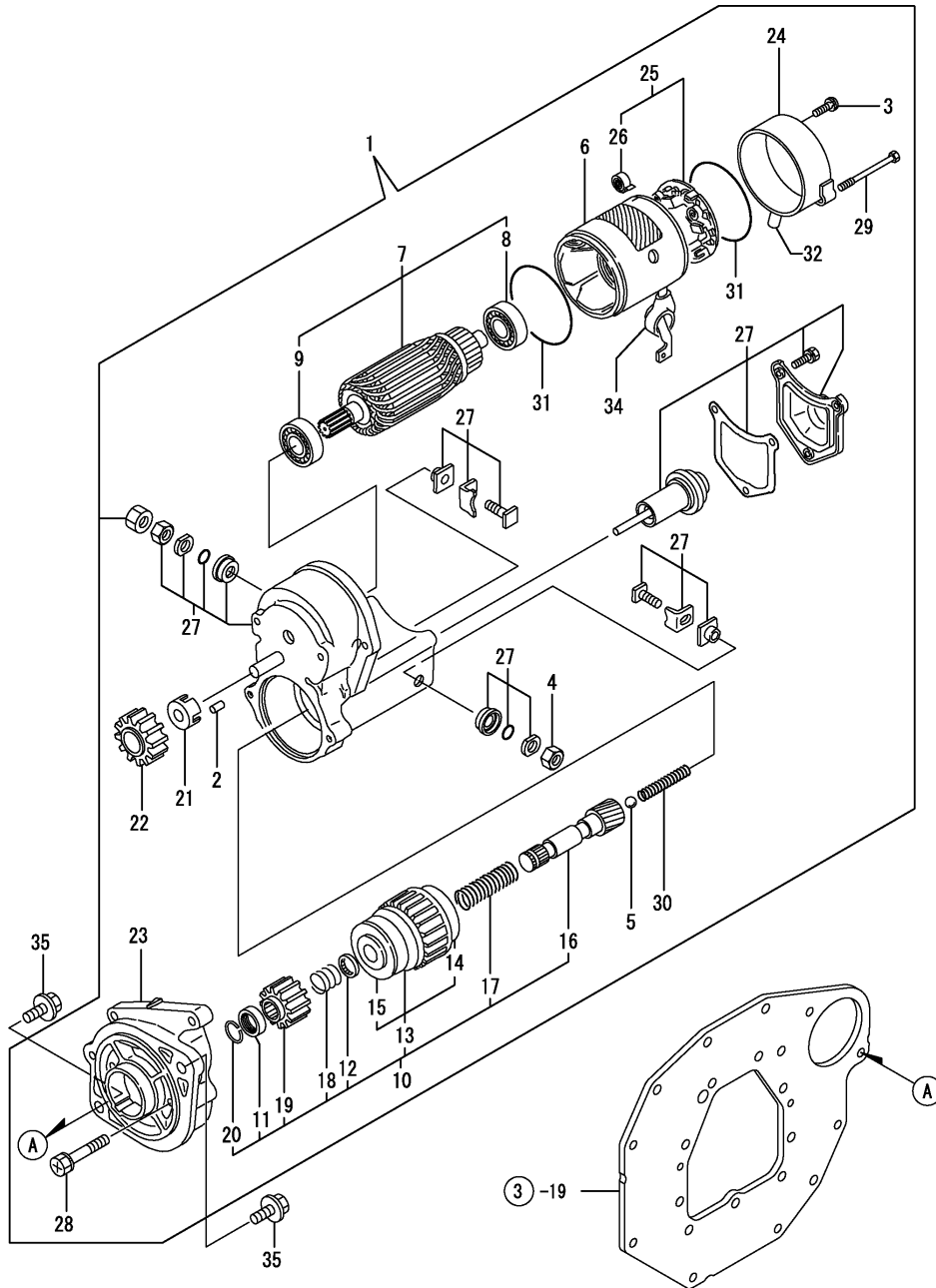
(D)=  
(E)=  
(F)=

No.	Lev.	Parts No.	Description	Q'ty						I	R
				(A)	(B)	(C)	(D)	(E)	(F)		
1	1	119717-53001	VALVE ASSY,INJECTION	3							
2	2	118200-53010	HOLDER, NOZZLE	3							
3	2	119717-53010	VALVE ASSY,INJECTION	3							
4	2	129901-53800	SHIM SET, ADJUSTING	3							1
15	1	129150-59120	RETAINER, PIPE	1							
18	2	129150-59131	BOLT, M4X14	2							
20	1	119717-59810	PIPE ASSY, INJECTION	1							
24	1	119717-59820	PIPE ASSY, INJECTION	1							
28	1	119717-59830	PIPE ASSY, INJECTION	1							
32	1	119515-59581	JOINT, OVER FLOW	1							
33	1	119717-59510	PIPE ASSY, RETURN	1							
39	1	129901-59560	GASKET	3							
40	1	119540-59570	PIPE ASSY, RETURN	1							
42	2	124066-59100	CLIP, HOSE 8	2							
43	1	119620-59700	NUT, NOZZLE	3							
44	1	119813-59950	VALVE ASSY, CHECK	1							
50	1	22190-120002	WASHER, SEAL 12	2							

Remarks  
(1) REPAIR PART.



No.	Lev.	Parts No.	Description	Q'ty						I	R
				(A)	(B)	(C)	(D)	(E)	(F)		
1	1	119740-55600	FILTER ASSY, FUEL	1							
2	2	121254-55510	COVER	1							
3	2	102103-55520	O-RING	1							
4	2	110250-55610	RING, RETAINING	1							
5	2	121250-55620	SPRING	1							
6	2	119810-55650	ELEMENT	1							
8	2	119810-55340	LEVER	1							
9	2	104200-55330	SPRING, VALVE	1							
10	2	24311-240100	O-RING, 1AP10A	1							
11	2	104200-55750	SCREW, M4	1							
12	1	103854-39140	BOLT, PIPE JOINT	1							
13	1	101304-59020	JOINT, PIPE 12	1							
14	1	22190-120002	WASHER, SEAL 12	2							
15	1	129335-55700	SEPARATOR ASSY,WATER	1							
16	2	104200-55321	VALVE, TAPER	1							
17	2	104200-55330	SPRING, VALVE	1							
18	2	104200-55341	HANDLE	1							
19	2	124064-55510	COVER	1							
20	2	102103-55520	O-RING	1							
21	2	110250-55610	RING, RETAINING	1							
22	2	121257-55720	SPRING	1							
23	2	121257-55731	FLOAT	1							
25	2	101720-55750	PLUG, 6	2							
26	2	104200-55750	SCREW, M4	1							
27	2	171081-55910	SCREEN	1							
28	2	23418-060000	GASKET, 6X1.0	2							
29	2	24311-240100	O-RING, 1AP10A	1							
30	1	26014-080702	BOLT, M8X 70	1							



No.	Lev.	Parts No.	Description	Qty						I	R
				(A)	(B)	(C)	(D)	(E)	(F)		
1	1	119740-77020	STARTER	1							
2	2	X0283060061	ROLLER	5							
3	2	129129-77460	SCREW	2							
4	2	X9490561370	NUT	1							
5	2	X9491200240	BALL	1							
6	2	129407-77210	YOKE ASSY	1							
7	2	129407-77220	ARMATURE ASSY	1							
8	3	129129-77230	BEARING	1							
9	3	129129-77240	BEARING	1							
10	2	X1280996680	STARTER KIT	1							
11	3	X0280210230	NUT	1							
12	3	X0283270140	RETAINER	1							
13	3	129129-77390	CLUTCH ASSY	1							
14	4	129129-77440	BEARING, BALL	1							
15	4	129129-77450	BEARING, BALL	1							
16	3	129129-77400	SHAFT	1							
17	3	129129-77410	SPRING, COIL	1							
18	3	129407-77410	SPRING	1							
19	3	X0283712350	PINION, STARTER	1							
20	3	129129-77430	RING	1							
21	2	129129-77260	RETAINER	1							
22	2	129129-77270	PINION	1							
23	2	X4284003310	HOUSING	1							
24	2	129407-77290	FRAME	1							
25	2	129407-77300	HOLDER ASSY	1							
26	3	X9491730461	SPRING	4							
27	2	X1534004151	SWITCH ASSY	1							
28	2	129129-77320	BOLT	2							
29	2	129407-77330	BOLT	2							
30	2	129129-77340	SPRING	1							
31	2	129129-77350	O-RING	2							
32	2	129129-77362	COVER	1							
34	2	129129-77380	CAP	1							
35	1	26106-100252	BOLT, M10X 25 PLATED	2							

(A)=3TNV76-XMHS

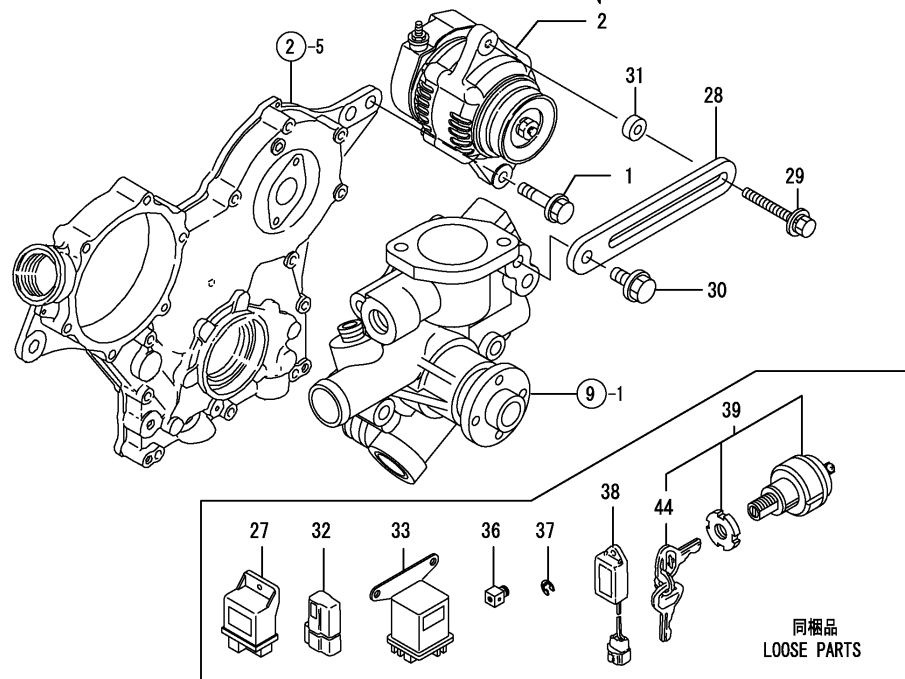
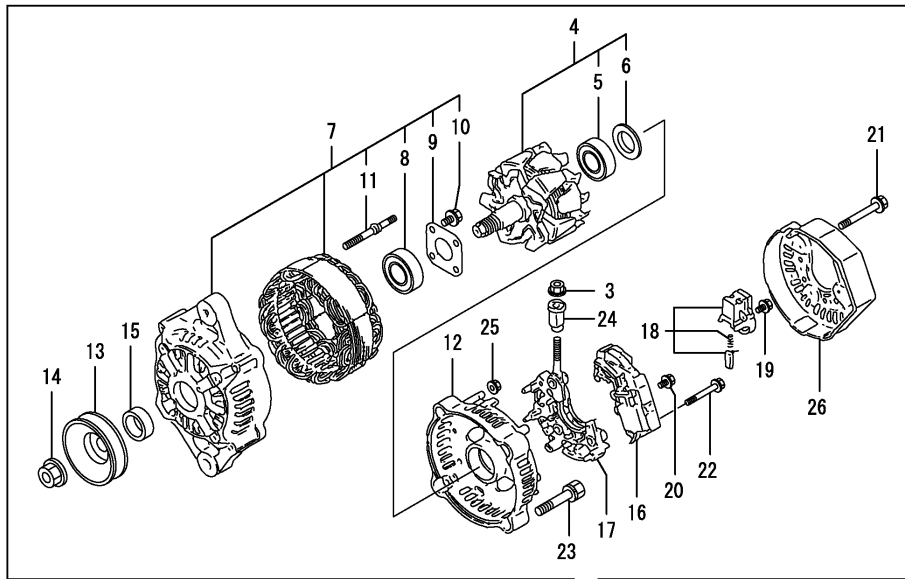
(B)=

(C)=

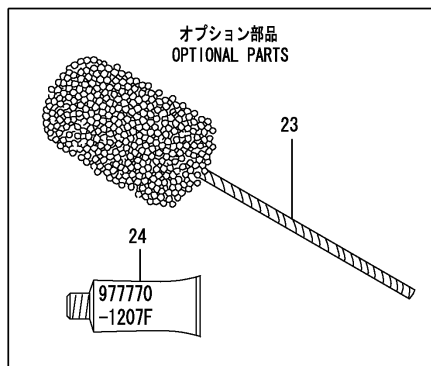
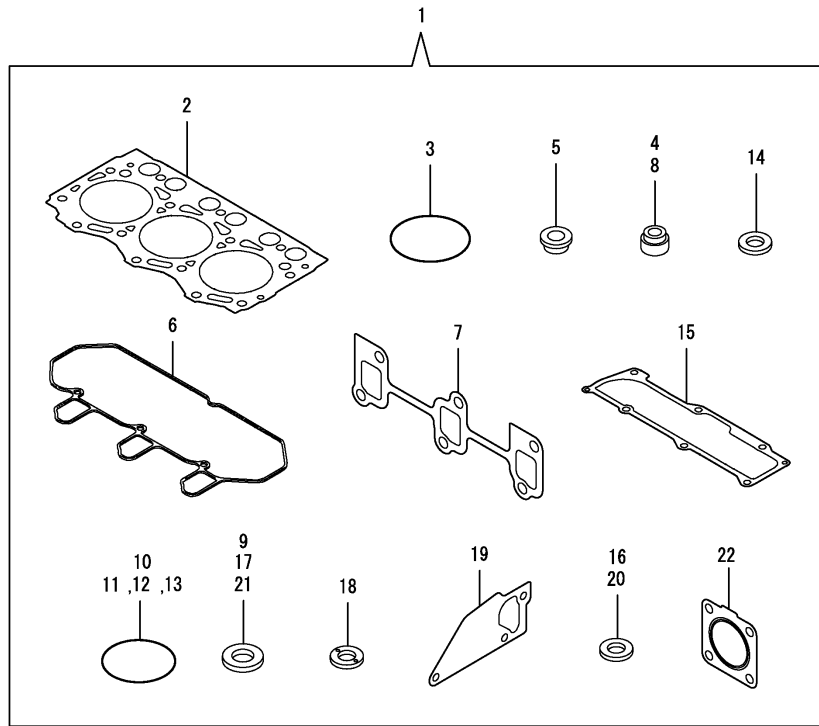
(D)=

(E)=

(F)=



No.	Lev.	Parts No.	Description	Q'ty						I	R
				(A)	(B)	(C)	(D)	(E)	(F)		
1	1	26106-100452	BOLT, M10X 45 PLATED	1							
2	1	119626-77210	ALTERNATOR, 12V-55A	1							
3	2	X9490561001	NUT	1							
4	2	129052-77380	ROTOR ASSY	1							
5	3	125301-79240	BEARING, BALL	1							
6	3	119620-79250	COVER	1							
7	2	129052-77422	FRAME ASSY	1							
8	3	119620-79200	BEARING, BALL	1							
9	3	119620-79210	PLATE, RETAINER	1							
10	3	119620-79220	SCREW	4							
11	3	119620-79230	STUD	2							
12	2	128401-77440	FRAME	1							
13	2	119620-77461	PULLEY	1							
14	2	119620-77471	NUT	1							
15	2	119620-77490	COLLAR	1							
16	2	119626-77710	REGULATOR ASSY	1							
17	2	129052-79260	HOLDER	1							
18	2	129052-79270	HOLDER, BRUSH	1							
19	2	119620-79290	SCREW	6							
20	2	119620-79300	SCREW	1							
21	2	119620-79310	BOLT	3							
22	2	119620-79320	SCREW	2							
23	2	119620-79330	BOLT	2							
24	2	119620-79340	BUSH, INSULATION	1							
25	2	119620-79350	NUT	2							
26	2	119626-77450	COVER	1							
27	1	119802-77200	RELAY, SAFETY	1							
28	1	119717-77340	ADJUSTER	1							
29	1	129972-77341	BOLT, ADJUSTER L=50	1							
30	1	26106-080202	BOLT, M8X 20 PLATED	1							
31	1	119940-77270	SPACER, GENERATOR	1							
32	1	119643-66900	DIODE	1							
33	1	119650-77910	RELAY ASSY, GLOW	1							
36	1	124756-67510	RETAINER	1							
37	1	22272-000070	RING, E- 7	1							
38	1	129211-77920	TIMER	1							
39	1	194215-52110	SWITCH, STARTING	1							
44	2	194155-52160	KEY ASSY	1							



No.	Lev.	Parts No.	Description	Q'ty						I	R
				(A)	(B)	(C)	(D)	(E)	(F)		
1	1	719717-92900	GASKET SET	1							1
2	2	119717-01330	GASKET, HEAD	1							
3	2	121850-51960	O-RING	1							
4	2	119717-11340	SEAL, VALVE STEM	3							
5	2	129901-11450	PROTECTOR, NOZZLE	3							
6	2	119718-11310	GASKET, BONNET	1							
7	2	119717-13110	GASKET	1							
8	2	119717-11350	SEAL, VALVE STEM	3							
9	2	22190-080002	WASHER, SEAL 6	4							
10	2	24311-000320	O-RING, 1AP32.0	2							
11	2	119717-32060	O-RING, P15.0	1							
12	2	119624-32040	O-RING, P12.0	1							
13	2	119717-32050	O-RING, P17.0	3							
14	2	119600-11460	GASKET, NOZZLE	6							
15	2	119717-11331	GASKET	1							
16	2	124465-44950	GASKET, 16	2							
17	2	22190-120002	WASHER, SEAL 12	4							
18	2	129901-59560	GASKET	3							
19	2	119717-42020	GASKET, WATER PUMP	1							
20	2	23414-080000	GASKET, 8X1.0	1							
21	2	22190-160002	WASHER, SEAL 16	1							
22	2	119515-13200	GASKET, SILENCER	1							
23	1	129400-92420	HONE	1							1
24	1	977770-1207F	GASKET.LIQUID	1							1

Remarks  
(1) OPTIONAL PART.



## Parts No. Index

Parts No.	Fig. No.	Ref. No.
101304-59020	13	13
101720-55750	13	25
102103-55520	13	3
		20
103854-39140	13	12
104200-55321	13	16
104200-55330	13	9
		17
104200-55341	13	18
104200-55750	13	11
		26
105010-11490	4	5
105311-01090	1	5
105425-01690	3	5
110250-55610	13	4
		21
114250-39450	8	8
118200-53010	12	2
118400-51370	10	47
119131-18320	5	5
119285-01990	1	8
119285-11990	4	14
119305-35151	8	4
119513-61550	11	91
119515-13200	5	7
		16
		22
119515-42350	9	17
119515-59581	12	32
119515-61440	11	24
119534-61420	11	22
119534-61430	11	23
119540-59570	12	40
119540-61100	11	5
119600-11460	4	4
		16
		14
119620-01620	3	14
119620-02020	1	9
119620-11280	4	30
119620-14200	6	1
119620-21941	7	14
119620-59700	12	43
119620-77461	15	13
119620-77471	15	14
119620-77490	15	15
119620-79200	15	8
119620-79210	15	9
119620-79220	15	10
119620-79230	15	11
119620-79250	15	6
119620-79290	15	19

Parts No.	Fig. No.	Ref. No.
119620-79300	15	20
119620-79310	15	21
119620-79320	15	22
119620-79330	15	23
119620-79340	15	24
119620-79350	15	25
119621-21680	7	13
119623-01250	1	6
119624-32040	2	18
		16
		12
119626-44741	9	28
119626-77210	15	2
119626-77450	15	26
119626-77710	15	16
119636-21580	7	8
119643-66900	15	32
119650-77910	15	33
119653-77950	11	135
119660-01640	3	15
119660-01911	2	17
119660-61901	11	68
119717-01330	1	27
		16
		2
119717-01501	2	1
119717-01521	2	5
119717-01570	2	2
119717-01620	3	19
119717-01720	3	3
119717-01750	2	16
119717-01770	3	4
119717-01800	2	6
119717-02411	1	12
119717-02930	1	23
119717-03031	4	40
119717-03070	4	41
		42
119717-11101	4	16
119717-11110	4	17
119717-11131	4	18
119717-11190	4	20
119717-11200	4	25
119717-11240	4	26
119717-11260	4	29
119717-11320	4	51
119717-11331	4	52
		16
		15
119717-11340	4	21
		16
		4
119717-11350	4	22
		16
		8

Parts No.	Fig. No.	Ref. No.
119717-11381	4	39
119717-11650	4	31
119717-11740	4	6
119717-11800	4	23
119717-13110	5	2
		16
		7
119717-13600	5	3
119717-14400	6	2
119717-14581	6	3
119717-21200	7	6
119717-21650	7	12
119717-21700	7	1
119717-22080	7	15
119717-22300	7	21
119717-22500	7	17
119717-22550	7	33
119717-22900	7	31
119717-23000	7	23
119717-23200	7	27
119717-23601	7	28
119717-23611	7	37
119717-23910	7	30
119717-25050	6	10
119717-25101	6	11
119717-25911	6	20
119717-25930	6	16
119717-32050	2	19
		16
		13
119717-32060	8	5
		16
		11
119717-32080	2	9
119717-32100	2	8
119717-32110	2	13
119717-32120	2	14
119717-34801	8	2
119717-35080	8	6
119717-39210	8	9
119717-42002	9	1
119717-42020	9	13
		16
		19
119717-42031	9	4
119717-42041	9	3
119717-42320	9	11
119717-51030	10	5
119717-51060	10	6
119717-51070	10	7
119717-51100	10	9
119717-51150	6	17
119717-51190	10	14
119717-51200	10	15

Parts No.	Fig. No.	Ref. No.
119717-51300	10	42
119717-51330	10	45
119717-51420	10	50
119717-51480	10	89
119717-51490	10	90
119717-51500	10	63
119717-51570	10	69
119717-51711	10	75
119717-51750	10	76
119717-51761	10	77
119717-53001	12	1
119717-53010	12	3
119717-59510	12	33
119717-59810	12	20
119717-59820	12	24
119717-59830	12	28
119717-61050	11	2
119717-61060	11	3
119717-61070	11	4
119717-61120	11	8
119717-61130	11	9
119717-61140	11	10
119717-61150	11	11
119717-61200	11	73
119717-61400	11	14
119717-77340	15	28
119717-77800	4	59
119717-77820	4	60
119718-11310	4	50
		16
		6
119718-13100	5	1
119718-49800	9	21
119734-01590	2	3
119740-55600	13	1
119740-77020	14	1
119761-61500	11	33
119802-03100	4	43
119802-03110	4	44
119802-03121	4	45
119802-03131	4	46
119802-03141	4	47
119802-13620	5	4
119802-32130	2	15
119802-77200	15	27
119808-12520	5	10
119808-12540	5	12
119810-01200	1	26
119810-02941	1	34
119810-55340	13	8
119810-55650	13	6



# Parts No. Index

Parts No.	Fig. No.	Ref. No.
119813-59950	12	44
119865-21600	7	11
119865-42290	9	18
119866-12541	5	13
119910-12510	5	9
119910-12601	5	8
119940-77270	15	31
119C10-42320	9	11 -1
119E10-42000	9	1 -1
121111-21501	7	39
121250-44901	9	24
121250-55620	13	5
121254-55510	13	2
121256-44600	9	35
121257-55720	13	22
121257-55731	13	23
121450-42450	9	23
121520-34810	8	1
121850-51960	2	20
	16	3
122710-51090	10	8
124060-01050	1	4
124064-55510	13	19
124066-59100	12	42
124085-02220	3	17
124101-49531	9	20
		37
124160-01751	2	28
	4	38
124160-01910	1	7
124450-44510	9	30
124450-44530	9	32
124450-44560	9	33
124465-44950	9	25
	16	16
124550-51350	10	46
124756-67510	15	36
125301-79240	15	5
126650-12680	5	15
128401-77440	15	12
129001-32320	2	11
129001-32330	2	12
129005-59830	8	10
129008-61301	11	77
129051-12530	5	11
129052-61390	11	13
129052-77380	15	4
129052-77422	15	7
129052-79260	15	17
129052-79270	15	18

Parts No.	Fig. No.	Ref. No.
129100-01580	3	1
	7	2
129100-35140	8	3
129100-51560	10	68
129100-51570	10	70
129100-52101	10	94
129129-77230	14	8
129129-77240	14	9
129129-77260	14	21
129129-77270	14	22
129129-77320	14	28
129129-77340	14	30
129129-77350	14	31
129129-77362	14	32
129129-77380	14	34
129129-77390	14	13
129129-77400	14	16
129129-77410	14	17
129129-77430	14	20
129129-77440	14	14
129129-77450	14	15
129129-77460	14	3
129150-11230	4	32
129150-11750	4	34
129150-25301	6	15
129150-59120	12	15
129150-59131	12	18
129155-51020	10	4
129155-51140	10	12
129155-51280	10	40
		41
	11	6
129155-51400	10	48
129155-51450	10	58
129155-51521	10	64
129155-51530	10	65
129155-51540	10	66
129155-51550	10	67
129155-51580	10	72
129155-51591	10	73
129155-51600	10	19
129155-51701	10	74
129155-52051	10	93
129155-61341	11	78
129155-61450	11	25
129155-61460	11	79
129155-61480	11	27
129156-61460	11	26
129209-61370	11	12
129209-61920	11	81

Parts No.	Fig. No.	Ref. No.
129209-61930	11	133
129209-61970	11	134
129211-77920	15	38
129255-61410	11	21
129335-55700	13	15
129350-49530	9	20 -1
129400-92420	16	23
129407-77210	14	6
129407-77220	14	7
129407-77290	14	24
129407-77300	14	25
129407-77330	14	29
129407-77410	14	18
129486-61540	11	52
129486-61650	11	62
129500-61720	11	132
129508-11180	4	19
129612-12650	5	14
129900-07900	4	1
129900-32130	2	10
129901-11450	4	3
	16	5
129901-53800	12	4
129901-59560	12	39
	16	18
129916-49740	9	12
129972-77341	15	29
158552-61700	11	63
158552-61710	11	67
158552-61900	11	80
158600-51170	10	13
158600-51270	10	39
158600-51410	10	49
158600-51420	10	51
158600-51442	10	52
158600-51570	10	71
158600-51790	10	78
158601-61700	11	124
171056-49120	9	26
171081-55910	13	27
171353-44760	9	27
174307-51700	11	34
194155-52160	15	44
194215-52110	15	39
22190-080002	8	11
		13
	16	9
22190-100002	11	82
22190-120002	11	83
	12	50

Parts No.	Fig. No.	Ref. No.
22190-120002	13	14
	16	17
22190-160002	3	8
	10	79
	16	21
22217-060000	10	80
22217-120000	6	18
22242-000120	4	35
22252-000220	7	22
22272-000030	11	69
22272-000070	15	37
22351-050010	10	81
22351-060012	4	24
22372-040000	11	84
22512-040120	7	5
22857-500100	4	53
		54
22857-500160	4	55
23061-070230	9	34
23414-080000	9	14
	16	20
23414-120016	11	136
23418-060000	13	28
23857-030000	8	12
23876-005000	4	15
23876-030000	2	7
23887-100002	11	85
24101-060034	10	82
24101-063034	10	83
24311-000320	2	29
	4	56
	16	10
24311-240100	13	10
		29
24316-000150	10	84
24341-000070	11	70
26014-080702	13	30
26022-050122	10	85
26022-060162	10	86
26106-050102	10	87
26106-060102	8	7
	11	71
		72
		86
26106-060122	2	21
	6	9
26106-060142	11	87
26106-060162	2	22
26106-060202	4	57
	11	88



## Parts No. Index

Parts No.	Fig. No.	Ref. No.
26106-060222	3	18
26106-060352	6	14
26106-060402	2	23
		24
	9	19
26106-060452	11	89
26106-060602	2	25
26106-060652	2	26
26106-060752	4	58
26106-080122	3	9
	9	15
26106-080162	4	2
26106-080202	9	36
	15	30
26106-080252	9	22
26106-080302	3	10
26106-080402	4	37
26106-080452	3	11
26106-080502	3	12
	9	16
26106-080652	9	29
26106-100252	14	35
26106-100452	15	1
26116-100202	3	13
26206-100252	3	2
26306-080002	2	27
	5	6
26577-060122	9	9
26716-060002	10	88
26716-120002	6	19
26756-060002	11	90
26979-050162	4	36
27241-120000	1	13
27241-250000	9	10
719717-01561	1	1
719717-02901	1	28
719717-02911	1	31
719717-92900	16	1
719734-01500	2	4
719751-51400	10	1
977770-1207F	16	24
X0280210230	14	11
X0283060061	14	2
X0283270140	14	12
X0283712350	14	19
X1280996680	14	10
X1534004151	14	27
X4284003310	14	23
X9490561001	15	3
X9490561370	14	4

Parts No.	Fig. No.	Ref. No.
X9491200240	14	5
X9491730461	14	26

Parts No.	Fig. No.	Ref. No.
-----------	----------	----------

Parts No.	Fig. No.	Ref. No.
-----------	----------	----------