

0CNP4-M28500EN

Directions for the Parts Catalog.

1. This Parts Catalog shows both standard and optional parts.
2. Parts may change without prior notice.
3. The following is an example of the Parts Catalog format.

REF.	LEV.	PARTS NO.	DESCRIPTION	Q'TY						I	R
				(A)	(B)	(C)	(D)	(E)	(F)		
1	1	729595-51390	FUEL INJECTION PUMP	1	1	1	1	1			1
1-1	1	729595-51391	FUEL INJECTION PUMP	1	1	1	1	1		N	1
		(A=E00185) (B=E00200)									
3	2	26022-060162	SCREW M 6X 16	9	9	9	9	9			
3-1	2	26022-060162	SCREW M 6X 16	4	4	4	4	4		K	
		(A=E00156) (B=E00156) (C=E00156) (D=E00156) (E=E00156)									
4	2	129470-51040	CAMSHAFT	1	1	1	1	1			
5	2	122710-51050	BEARING, ROLLER	2	2	2	2	2			
6	2	129470-51060	RETAINER	1	1	1	1	1			

Remarks
(1) BOOST COMPEMSATOR TYPE. OPTIONAL PART, TO E00155,(4JH-DT, 4JH-DTZ

① Ref. No.

The Ref. No. listed may not be in accordance with the illustration Ref. No.

(Ex.) Illustration No. 1 List Ref No. 1 (Before change) → 1-1 (After change)

For interchangeable symbols N, R and K, illustrations for new parts may be abbreviated.

② Lev. (Level)

Level indication

The numbers below indicate the level of relativity towards the main part.

1 ---- Main parts (Assembly parts)

2 ---- Sub component included in " 1 ".

3 ---- Sub component included in " 2 ".

Note) Parts that are not for sale are partially illustrated but not listed.

③ Interchangeability Symbol

When a part change takes place, one of the following interchangeability symbols is indicated beside the part.

Symbol	Interchangeability	Contents note
N	Old $\begin{matrix} \leftarrow \text{Yes} \\ \text{No} \rightarrow \end{matrix}$ New	New Part is interchangeable for Old Part but Old Part is not interchangeable for New Part.
Q	Old $\begin{matrix} \leftarrow \text{No} \\ \text{Yes} \rightarrow \end{matrix}$ New	New Part is not interchangeable for Old Part but Old Part is interchangeable for New Part.
R	Old $\begin{matrix} \leftarrow \text{Yes} \\ \text{Yes} \rightarrow \end{matrix}$ New	New/ Old Parts are both interchangeable.
S	Old $\begin{matrix} \leftarrow \text{No} \\ \text{No} \rightarrow \end{matrix}$ New	New/ Old Parts are both not interchangeable.
W		Part newly added.
Z		Part discontinued.
F		Not interchangeable by a single part but interchangeable together with related parts.
K		Changes only for used parts quantities.

④ Effective Machine No.

When a part changes, the effective Machine No. will be indicated in the (A)-(F) column.

Product Symbol	Product No.	Product Symbol	Product No.
C	Clutch No. Compressor No.	F	Machine No. (Agricultural Equip.)
D	Drive No.	M	Machine No.
E	Engine No.		

Note 1) A date may follow the symbol. (Ex.) 1996.01

Note 2) " XXXXX " and " ZZZZZ " are for parts that could not be predicted or for engine models that could not be identified.

Note 3) (A=E00185) is the E (Engine Serial Number) for the column (A) model (in this case 4JH-DT) after the parts design change.

⑤ Remarks

Figures or alphabets (symbols) are entered in the remarks column.

The comments (remarks) on parts that are indicated at the bottom of the illustration are the same symbols as those stated above.

Fig. No. Fig. Name

ENGINE SECTION

1. CYLINDER BLOCK
2. GEAR HOUSING
3. OIL SUMP
4. CYLINDER HEAD & BONNET
5. SUCTION & EXHAUST MANIFOLD
6. CAMSHAFT & DRIVING GEAR
7. CRANKSHAFT & PISTON
8. LUB.OIL SYSTEM
9. COOLING WATER SYSTEM
10. FUEL INJECTION PUMP
11. GOVERNOR
12. FUEL INJECTION VALVE
13. STARTING MOTOR

Fig. No. Fig. Name



(A)=3TNE88-RBS2

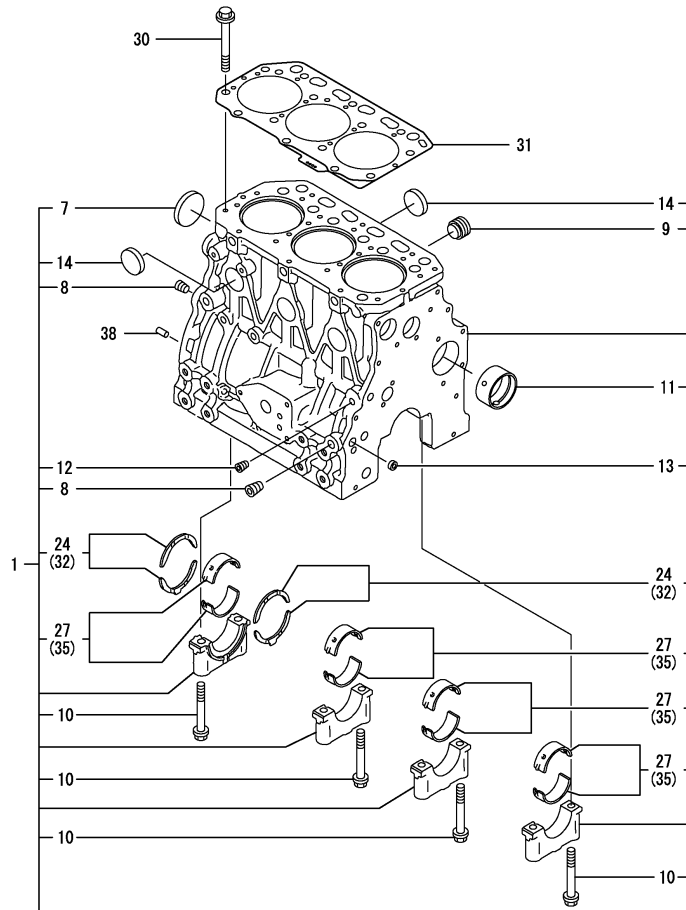
(B)=

(C)=

(D)=

(E)=

(F)=



No.	Lev.	Parts No.	Description	Q'ty						I	R
				(A)	(B)	(C)	(D)	(E)	(F)		
1	1	729001-01560	BLOCK ASSY, CYLINDER	1							
7	2	129001-01250	PLUG, 50	1							
8	2	124160-01910	PLUG, PT1/4	3							
9	2	171051-01921	PLUG, NPTF1	1							
10	2	129150-02020	BOLT, METAL CAP	8							
11	2	129795-02411	BUSH, CAMSHAFT	1							
12	2	23876-010000	PLUG, R01	1							
13	2	27241-120000	PLUG, 12	2							
14	2	27241-300000	PLUG 30	6							
24	2	129150-02930	BEARING, THRUST	2							
27	2	129001-02930	BEARING, MAIN	4							3
30	1	129150-01200	BOLT, HEAD	14							
31	1	129001-01340	GASKET, HEAD	1							
32	1	129150-02940	BEARING, THRUST 0.25	1							2
35	1	129150-02870	BEARING, 0.25 US	4							1
38	1	129100-01580	PIN, M8X16	2							

Remarks

(1) UNDER-SIZE(U.S=0.25)PART.

(2) OVER-SIZE(O.S=0.25)PART.

(3) REPAIR PART.

(REMARKS)"EFFECTIVE MACHINE NO." OF ENGINE IS INDICATED ON THE ENGINE LABEL WHICH IS SHOWN IN FIG.4.

(A)=3TNE88-RBS2

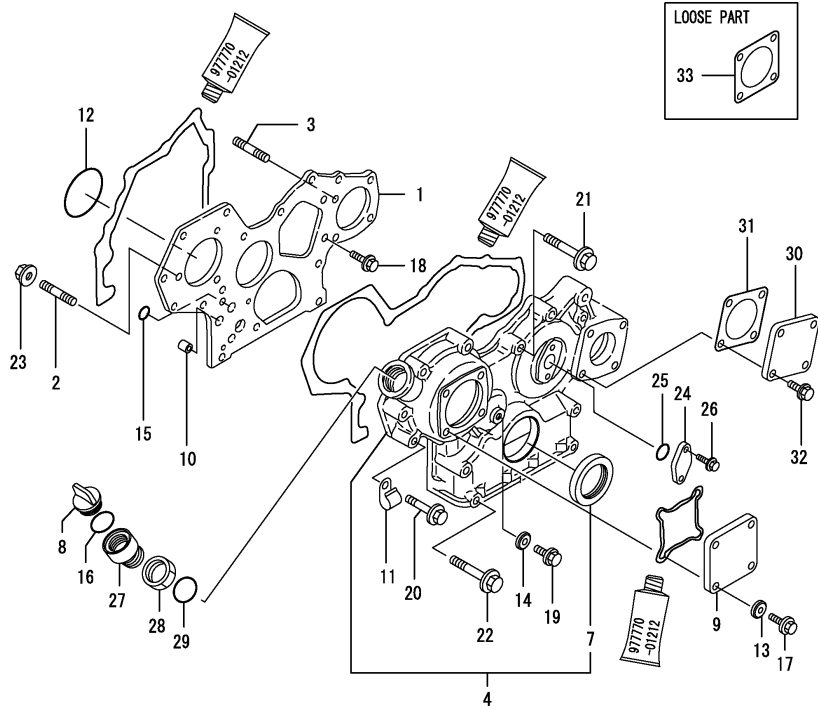
(B)=

(C)=

(D)=

(E)=

(F)=

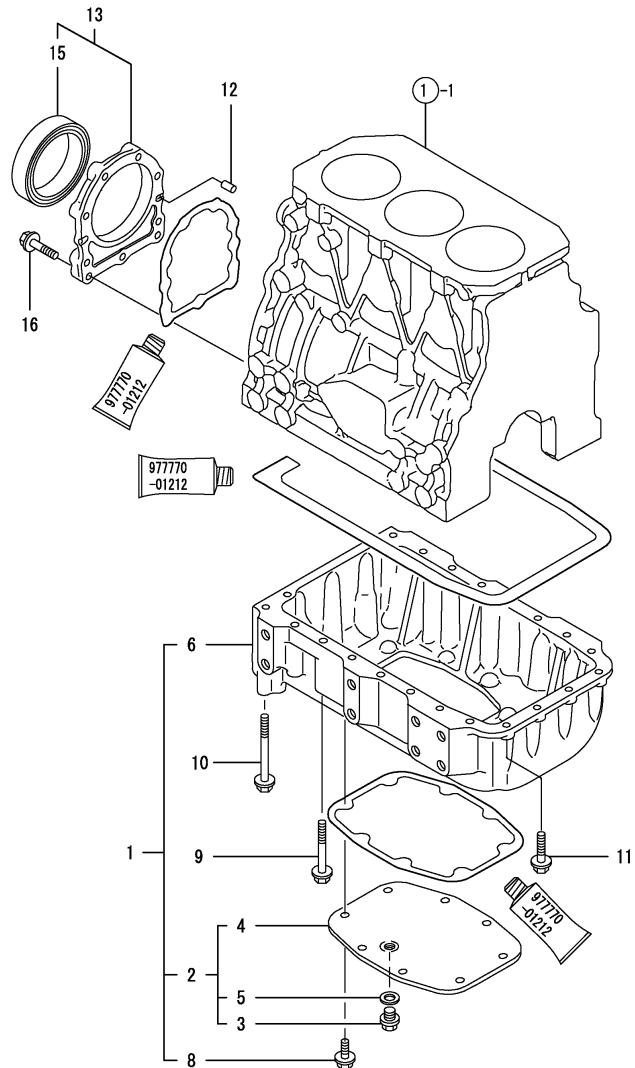


No.	Lev.	Parts No.	Description	Q'ty						I	R
				(A)	(B)	(C)	(D)	(E)	(F)		
1	1	129100-01520	FLANGE, GEAR CASE	1							
2	1	121450-01560	STUD, M8X22	3							
3	1	129150-01580	STUD, M8X30	1							
4	1	129100-01590	CASE ASSY, GEAR	1							
7	2	129795-01800	SEAL, OIL	1							
8	1	124160-01751	COVER, FILLER	1							
9	1	124240-01871	COVER	1							
10	1	129795-01950	PIPE, KNOCK L=18	2							
11	1	129150-03100	RETAINER, PIPE	1							
12	1	121850-51960	O-RING	1							
13	1	22190-080002	WASHER, SEAL 6	4							
14	1	22190-080002	WASHER, SEAL 6	1							
15	1	119609-32040	O-RING, P16	2							
16	1	24311-000320	O-RING, 1AP32.0	1							
17	1	26106-080122	BOLT, M8X 12 PLATED	4							
18	1	26106-080162	BOLT, M8X 16 PLATED	3							
19	1	26106-080162	BOLT, M8X 16 PLATED	1							
20	1	26106-080452	BOLT, M8X 45 PLATED	6							
21	1	26106-080552	BOLT, M8X 55 PLATED	3							
22	1	129001-91841	BOLT, M8X85	4							
23	1	26306-080002	NUT, M8	3							
24	1	121023-01550	COVER	1							
25	1	24341-000240	O-RING, 1AS24.0	1							
26	1	26106-060162	BOLT, M6X 16 PLATED	2							
27	1	119225-11740	ADAPTER	1							
28	1	119225-11750	NUT	1							
29	1	24311-000300	O-RING, 1AP30.0	1							
30	1	124240-01871	COVER	1							
31	1	124240-01883	GASKET	1							
32	1	26106-080122	BOLT, M8X 12 PLATED	4							
33	1	129150-01881	GASKET	1							

Remarks
 (REMARKS)"EFFECTIVE MACHINE NO." OF
 ENGINE IS INDICATED ON THE
 ENGINE LABEL WHICH IS SHOWN
 IN FIG.4.

(A)=3TNE88-RBS2
(B)=
(C)=

(D)=
(E)=
(F)=



No.	Lev.	Parts No.	Description	Q'ty						I	R
				(A)	(B)	(C)	(D)	(E)	(F)		
1	1	129126-01550	SUMP ASSY, OIL	1							
2	2	129129-01540	COVER ASSY, OIL SUMP	1							
3	3	105425-01690	PLUG, 16	1							
4	3	129150-01721	COVER, OIL SUMP	1							
5	3	22190-160002	WASHER, SEAL 16	1							
6	2	129126-01700	SUMP, OIL	1							
8	2	26106-080122	BOLT, M8X 12 PLATED	8							
9	1	129001-91841	BOLT, M8X85	14							
10	1	129001-91910	BOLT, M8X120	4							
11	1	26106-080252	BOLT, M8X 25 PLATED	4							
12	1	129100-01580	PIN, M8X16	2							
13	1	129100-01640	CASE ASSY, OIL SEAL	1							
15	2	129795-01780	SEAL, OIL	1							
16	1	129486-01670	BOLT, M8X30	9							

Remarks
(REMARKS)"EFFECTIVE MACHINE NO." OF
ENGINE IS INDICATED ON THE
ENGINE LABEL WHICH IS SHOWN
IN FIG.4.

(A)=3TNE88-RBS2

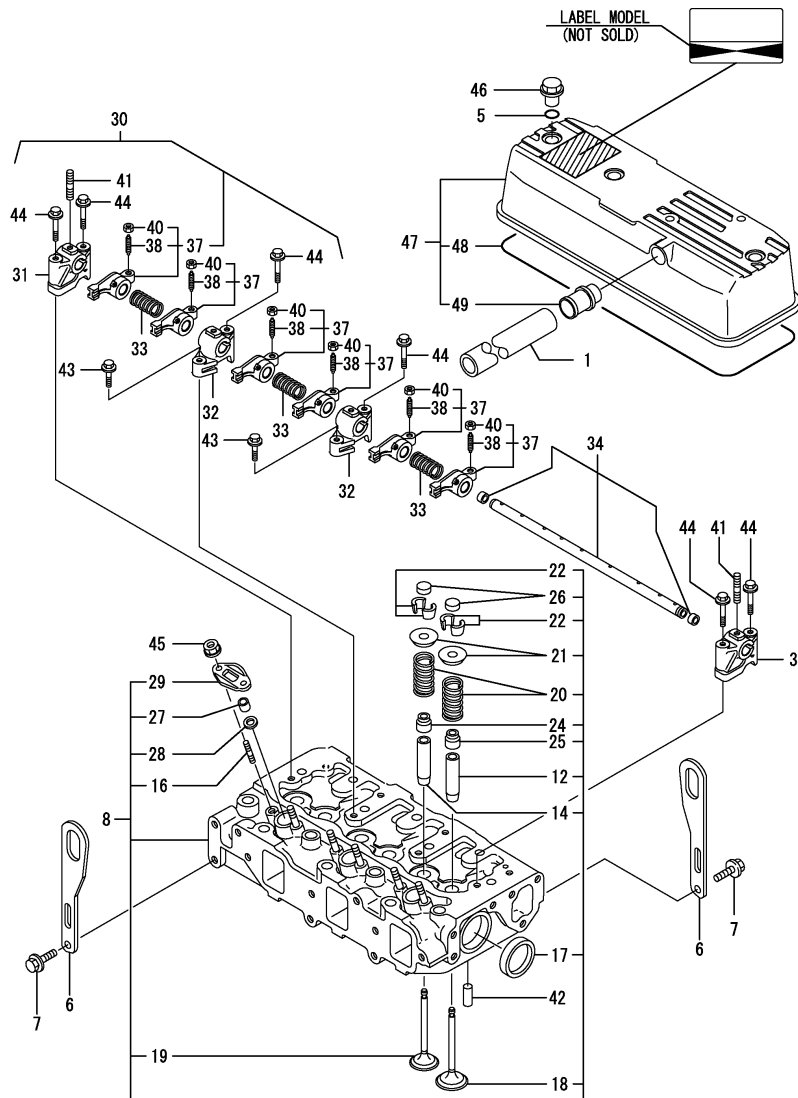
(B)=

(C)=

(D)=

(E)=

(F)=



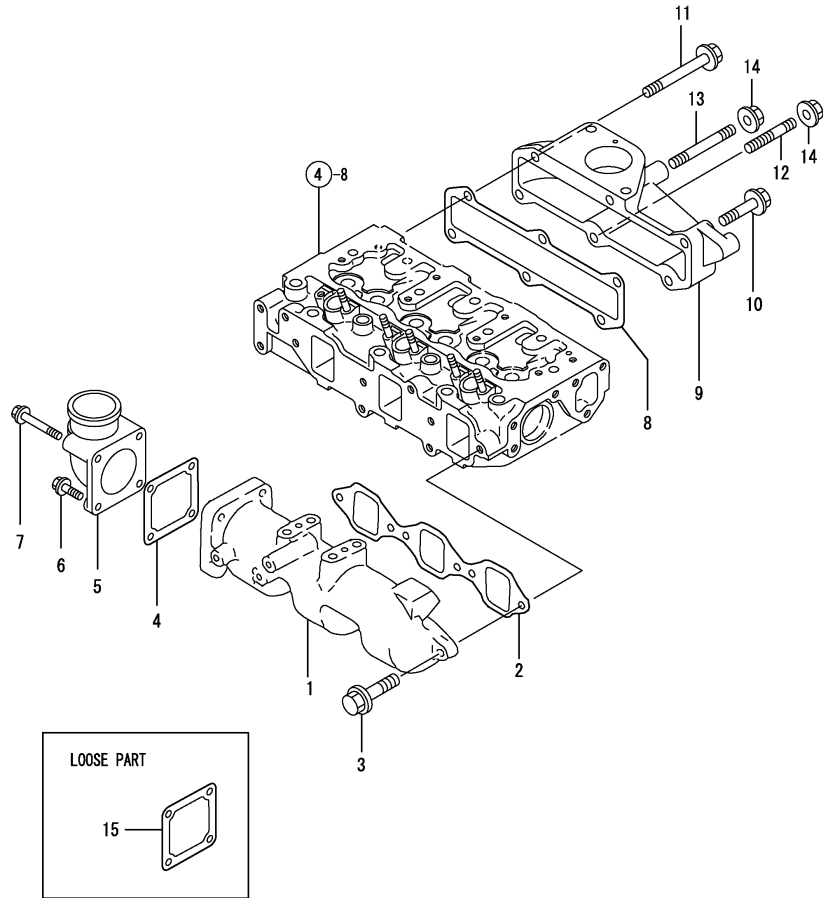
No.	Lev.	Parts No.	Description	Q'ty						I	R
				(A)	(B)	(C)	(D)	(E)	(F)		
1	1	129150-03090	HOSE, ID16X2T	1							
5	1	24311-000120	O-RING, 1AP12.0	3							
6	1	124736-07900	LIFTER	2							
7	1	26106-080142	BOLT, M8X 14 PLATED	4							
8	1	129001-11700	HEAD ASSY, CYLINDER	1							
12	2	120130-11860	GUIDE, VALVE	3							1
14	2	129150-11810	GUIDE, VALVE	3							1
16	2	26216-060202	STUD, M6X 20	6							
17	2	27241-400000	PLUG, 40	2							
18	2	129100-11100	VALVE, INTAKE	3							
19	2	129100-11110	VALVE, EXHAUST	3							
20	2	129795-11120	SPRING, VALVE	6							
21	2	129795-11180	RETAINER, SPRING	6							
22	2	27310-080001	COTTER, 8	6							
24	2	121400-11340	SEAL, VALVE STEM	3							
25	2	124460-11340	SEAL, VALVE STEM	3							
26	2	129150-11370	CAP, VALVE	6							
27	2	119625-11870	PROTECTOR, NOZZLE	3							
28	2	119625-11880	SEAT, NOZZLE	3							
29	2	119625-11900	RETAINER, NOZZLE	3							
30	1	129155-11241	SHAFT ASSY, ROCKER	1							
31	2	129155-11260	SUPPORT, ROCKER ARM	2							
32	2	129155-11270	SUPPORT, ROCKER ARM	2							
33	2	129150-11280	SPRING	3							
34	2	129150-11290	SHAFT, ROCKER ARM	1							
37	2	729402-11650	ARM ASSY, ROCKER	6							
38	3	129150-11230	SCREW, VALVE ADJUST	6							
40	3	129150-11750	NUT, M8	6							
41	2	119802-11280	STUD	3							
42	1	22351-060012	PIN, SPRING 6.0X12	2							
43	1	26106-080252	BOLT, M8X 25 PLATED	2							
44	1	26106-080502	BOLT, M8X 50 PLATED	6							
45	1	26366-060002	NUT, M6	6							
46	1	124160-11360	KNOB	3							
47	1	129001-11851	BONNET ASSY, HEAD	1							
48	2	129001-11310	GASKET, BONNET	1							
49	2	129001-11340	PIPE, BREATHER	1							

Remarks

(1) REPAIR PART.
 (REMARKS)"EFFECTIVE MACHINE NO." OF
 ENGINE IS INDICATED ON THE
 ENGINE LABEL WHICH IS SHOWN
 IN FIG.4.

(A)=3TNE88-RBS2
(B)=
(C)=

(D)=
(E)=
(F)=



No.	Lev.	Parts No.	Description	Q'ty						I	R
				(A)	(B)	(C)	(D)	(E)	(F)		
1	1	129122-12100	MANIFOLD, AIR INTAKE	1							
2	1	129150-12111	GASKET, MANIFOLD	1							
3	1	26106-080252	BOLT, M8X 25 PLATED	4							
4	1	129150-77511	GASKET	1							
5	1	171340-77520	BEND	1							
6	1	26106-080252	BOLT, M8X 25 PLATED	2							
7	1	26106-080652	BOLT, M8X 65 PLATED	2							
8	1	129001-13110	GASKET	1							
9	1	129052-13150	MANIFOLD, EXHAUST	1							
10	1	119802-13600	BOLT, M8X40	3							
11	1	119802-13660	BOLT, M8X75 10.9T	1							
12	1	119802-13710	STUD, M8X40	1							
13	1	123900-13610	STUD, M8X80	1							
14	1	26306-080002	NUT, M8	2							
15	1	129150-77511	GASKET	1							

Remarks
(REMARKS)"EFFECTIVE MACHINE NO." OF
ENGINE IS INDICATED ON THE
ENGINE LABEL WHICH IS SHOWN
IN FIG.4.

(A)=3TNE88-RBS2

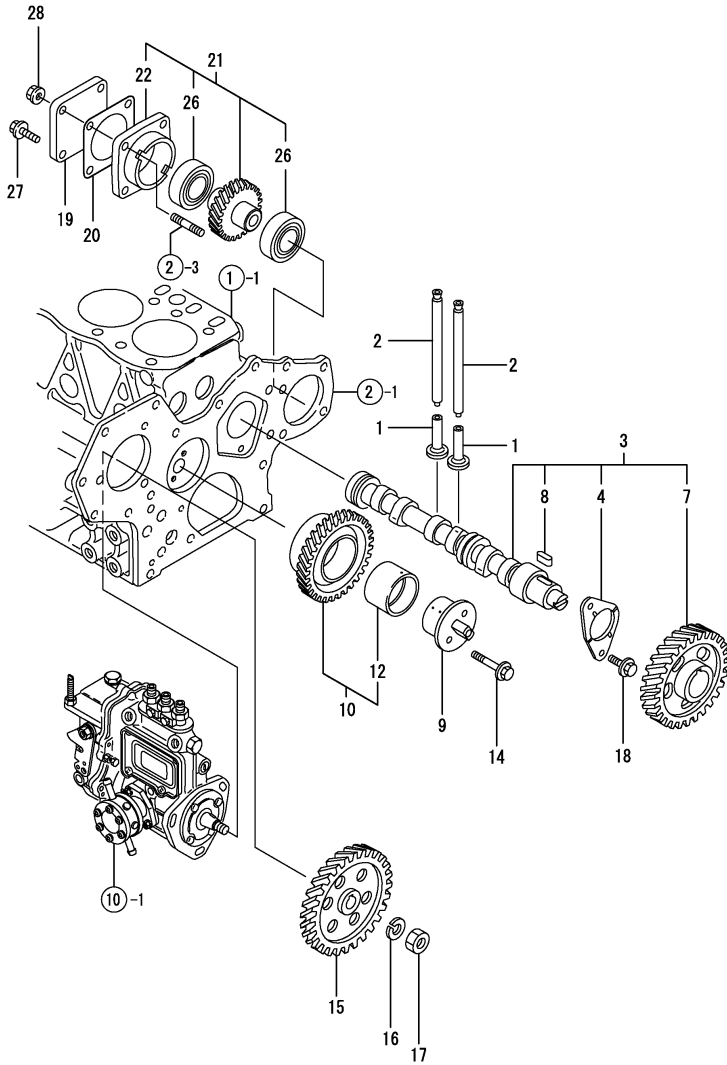
(B)=

(C)=

(D)=

(E)=

(F)=



No.	Lev.	Parts No.	Description	Q'ty						I	R
				(A)	(B)	(C)	(D)	(E)	(F)		
1	1	129150-14200	TAPPET	6							
2	1	129150-14400	ROD, PUSH L=178	6							
3	1	129129-14580	CAMSHAFT ASSY	1							
4	2	129150-02450	BEARING, THRUST	1							
7	2	129150-14101	GEAR, CAMSHAFT	1							
8	2	22512-070140	KEY, 7X 14	1							
9	1	129100-25061	SHAFT, IDLE	1							
10	1	129150-25101	GEAR ASSY, IDLE	1							
12	2	129150-25920	BUSH, IDLE GEAR	1							1
14	1	26106-080452	BOLT, M8X 45 PLATED	2							
15	1	129150-25900	GEAR, PUMP	1							
16	1	22217-120000	WASHER, SPRING 12	1							
17	1	26716-120002	NUT, M12	1							
18	1	26106-080142	BOLT, M8X 14 PLATED	2							
19	1	124240-01871	COVER	1							
20	1	124240-01883	GASKET	1							
21	1	129555-26000	DRIVE ASSY, PUMP	1							
22	2	129150-26050	BRACKET, PUMP	1							
26	2	24105-060064	BEARING, BALL 6006Z	2							
27	1	26106-080252	BOLT, M8X 25 PLATED	3							
28	1	26306-080002	NUT, M8	1							

Remarks

(1) REPAIR PART.
 (REMARKS)"EFFECTIVE MACHINE NO." OF
 ENGINE IS INDICATED ON THE
 ENGINE LABEL WHICH IS SHOWN
 IN FIG.4.

(A)=3TNE88-RBS2

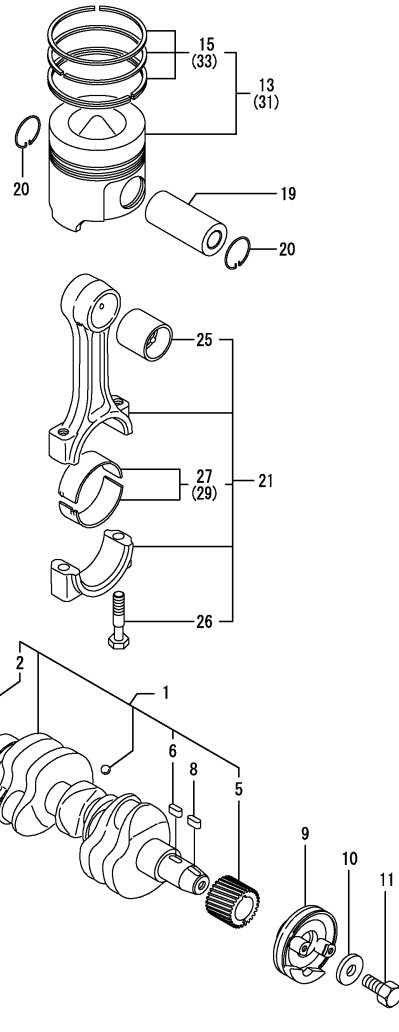
(B)=

(C)=

(D)=

(E)=

(F)=



No.	Lev.	Parts No.	Description	Q'ty						I	R
				(A)	(B)	(C)	(D)	(E)	(F)		
1	1	129001-21100	CRANKSHAFT ASSY	1							
2	2	129100-01580	PIN, M8X16	1							
5	2	129150-21200	GEAR, CRANKSHAFT	1							
6	2	22512-070140	KEY, 7X 14	1							
8	1	22512-070140	KEY, 7X 14	1							
9	1	129150-21651	V-PULLEY	1							
10	1	129795-21661	WASHER	1							
11	1	121850-21680	BOLT	1							
12	1	121111-21501	BOLT, FLYWHEEL	6							
13	1	129001-22081	PISTON ASSY	3							
15	2	129001-22500	RING SET, PISTON	3							
19	1	129202-22300	PIN, PISTON D26 L70	3							
20	1	22252-000260	RING, 26	6							
21	1	729402-23100	ROD ASSY, CONNECTING	3							
25	2	129100-23910	BEARING, PISTON PIN	3							1
26	2	121550-23200	BOLT, CONNECTING ROD	6							
27	2	129150-23600	BEARING, CRANK PIN	3							
29	1	129150-23610	BEARING, 0.25 US	3							2
31	1	129001-22901	PISTON ASSY, 0.25 OS	3							3
33	2	129001-22950	RING SET, 0.25 OS	3							3
37	1	121111-21501	BOLT, FLYWHEEL	6							
38	1	124550-21600	GEAR, RING	1							

Remarks

- (1) REPAIR PART.
 - (2) UNDER-SIZE(U.S=0.25)PART.
 - (3) OVER-SIZE(O.S=0.25)PART.
- (REMARKS)"EFFECTIVE MACHINE NO." OF ENGINE IS INDICATED ON THE ENGINE LABEL WHICH IS SHOWN IN FIG.4.

(A)=3TNE88-RBS2

(B)=

(C)=

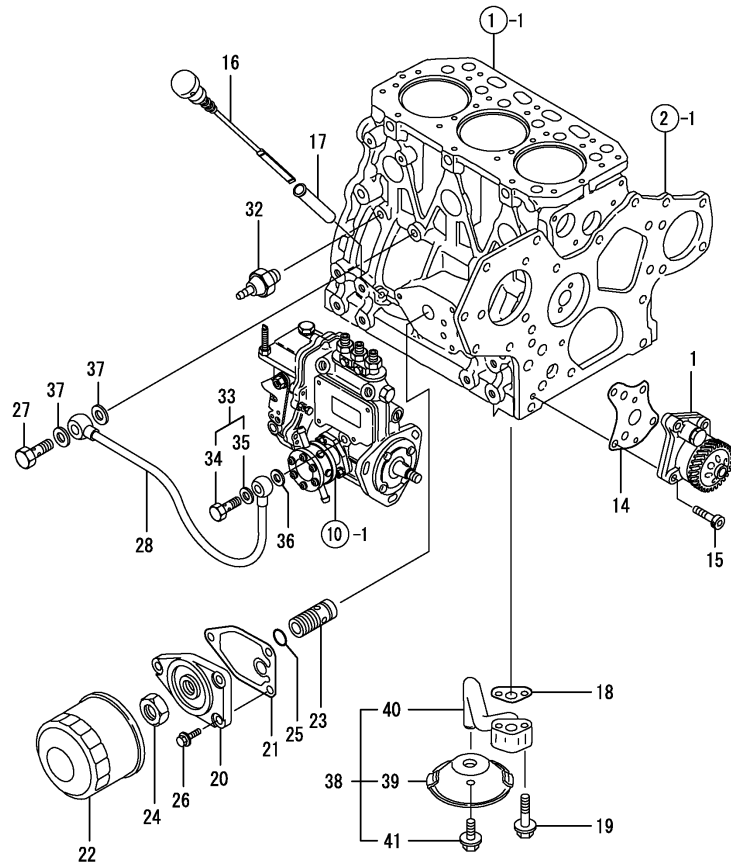
(D)=

(E)=

(F)=

Q'ty

No.	Lev.	Parts No.	Description	Q'ty						I	R
				(A)	(B)	(C)	(D)	(E)	(F)		
1	1	129001-32001	PUMP ASSY, OIL	1							
14	1	129150-32020	GASKET, PUMP	1							
15	1	26450-060252	BOLT, M6X 25	4							
16	1	129051-34820	DIPSTICK, OIL	1							
17	1	121520-34810	GUIDE, DIPSTICK	1							
18	1	129150-35042	GASKET	1							
19	1	26106-080352	BOLT, M8X 35 PLATED	2							
20	1	129150-35101	BRACKET, STRAINER	1							
21	1	129150-35111	GASKET	1							
22	1	129150-35170	FILTER, LO	1							1
23	1	129001-35300	BOLT, FILTER	1							
24	1	129150-35350	NUT	1							
25	1	24311-000160	O-RING, 1AP16.0	1							
26	1	26106-080202	BOLT, M8X 20 PLATED	3							
27	1	124160-39140	BOLT, PIPE JOINT M10	1							
28	1	129150-39450	PIPE ASSY, OIL	1							
32	1	114250-39450	SWITCH, 0.5KG	1							
33	1	124550-59830	BOLT ASSY, JOINT M8	1							
34	2	124550-59820	BOLT, PIPE JOINT M8	1							
35	2	22190-080002	WASHER, SEAL 6	1							
36	1	22190-080002	WASHER, SEAL 6	1							
37	1	22190-100002	WASHER, SEAL 10	2							
38	1	129129-35090	PIPE ASSY, OIL INLET	1							
39	2	129129-35010	PIPE, OIL INLET	1							
40	2	129129-35080	PIPE, OIL INLET	1							
41	2	26106-080122	BOLT, M8X 12 PLATED	1							



Remarks
(1) REPAIR PART.

(A)=3TNE88-RBS2

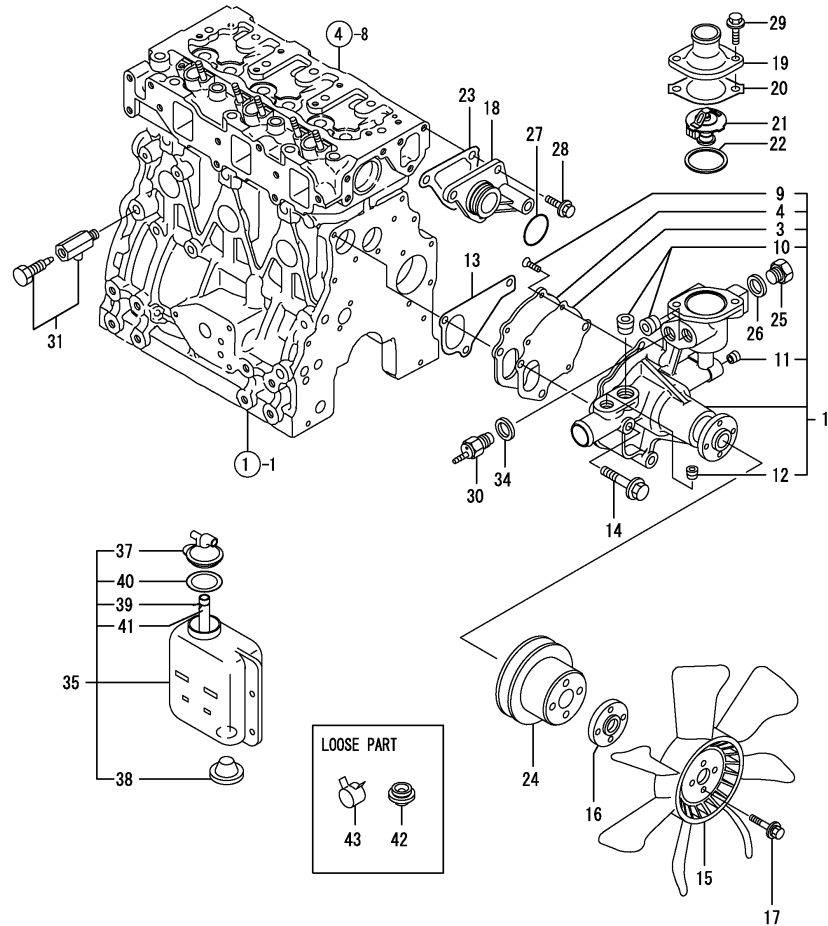
(B)=

(C)=

(D)=

(E)=

(F)=



No.	Lev.	Parts No.	Description	Q'ty						I	R
				(A)	(B)	(C)	(D)	(E)	(F)		
1	1	129001-42003	PUMP ASSY, WATER	1							
3	2	129100-42051	GASKET, WATER PUMP	1							
4	2	129100-42121	PLATE	1							
9	2	121850-42410	SCREW	3							
10	2	23876-030000	PLUG, R03	2							
11	2	23876-010000	PLUG, R01	1							
12	2	23876-020000	PLUG, R02	1							
13	1	129486-42021	GASKET, WATER PUMP	1							
14	1	26106-080602	BOLT, M8X 60 PLATED	3							
15	1	129556-44740	FAN, COOLING	1							
16	1	124574-44761	SPACER, FAN	1							
17	1	26014-060252	BOLT, M6X 25	4							
18	1	129001-42040	JOINT	1							
19	1	129350-49530	COVER, THERMOSTAT	1							
20	1	129795-49551	GASKET	1							
21	1	129155-49801	THERMOSTAT, 71	1							
22	1	129150-49811	GASKET, THERMOSTAT	1							
23	1	124395-49840	GASKET	1							
24	1	129403-42380	V-PULLEY, D=110	1							
25	1	121450-42450	PLUG, M16	1							
26	1	124465-44950	GASKET, 16	1							
27	1	129486-42140	O-RING, G30	1							
28	1	26106-080162	BOLT, M8X 16 PLATED	3							
29	1	26106-080222	BOLT, M8X 22 PLATED	2							
30	1	121250-44901	SWITCH, 110	1							
31	1	119620-49290	COCK ASSY, 1/4	1							
34	1	124465-44950	GASKET, 16	1							
35	1	121468-44510	TANK ASSY	1							
37	2	121450-44531	CAP	1							
38	2	121468-44540	PLUG	1							
39	2	124450-44560	RETAINER	1							
40	2	121470-44581	GASKET	1							
41	2	23065-070130	PIPE, 7X 130	1							
42	1	119255-44660	ABSORBER	2							
43	1	124766-59050	CLIP, HOSE 12	4							

Remarks
 (REMARKS)"EFFECTIVE MACHINE NO." OF
 ENGINE IS INDICATED ON THE
 ENGINE LABEL WHICH IS SHOWN
 IN FIG.4.

(A)=3TNE88-RBS2

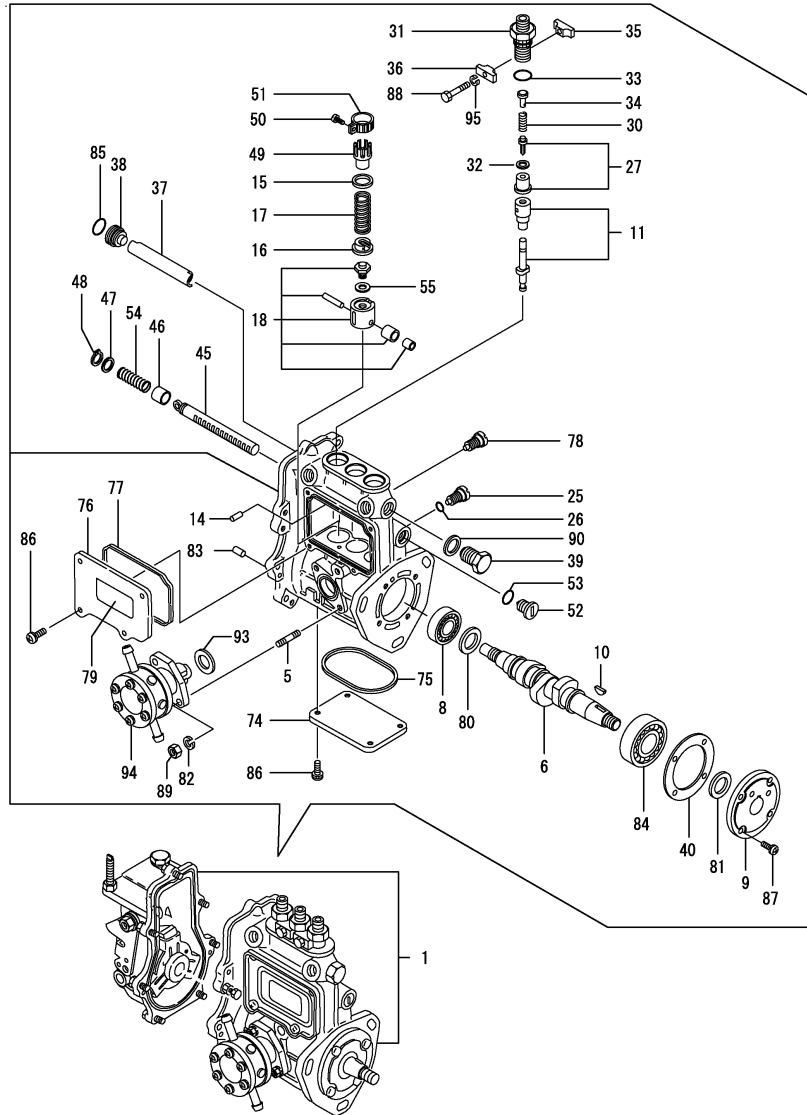
(B)=

(C)=

(D)=

(E)=

(F)=



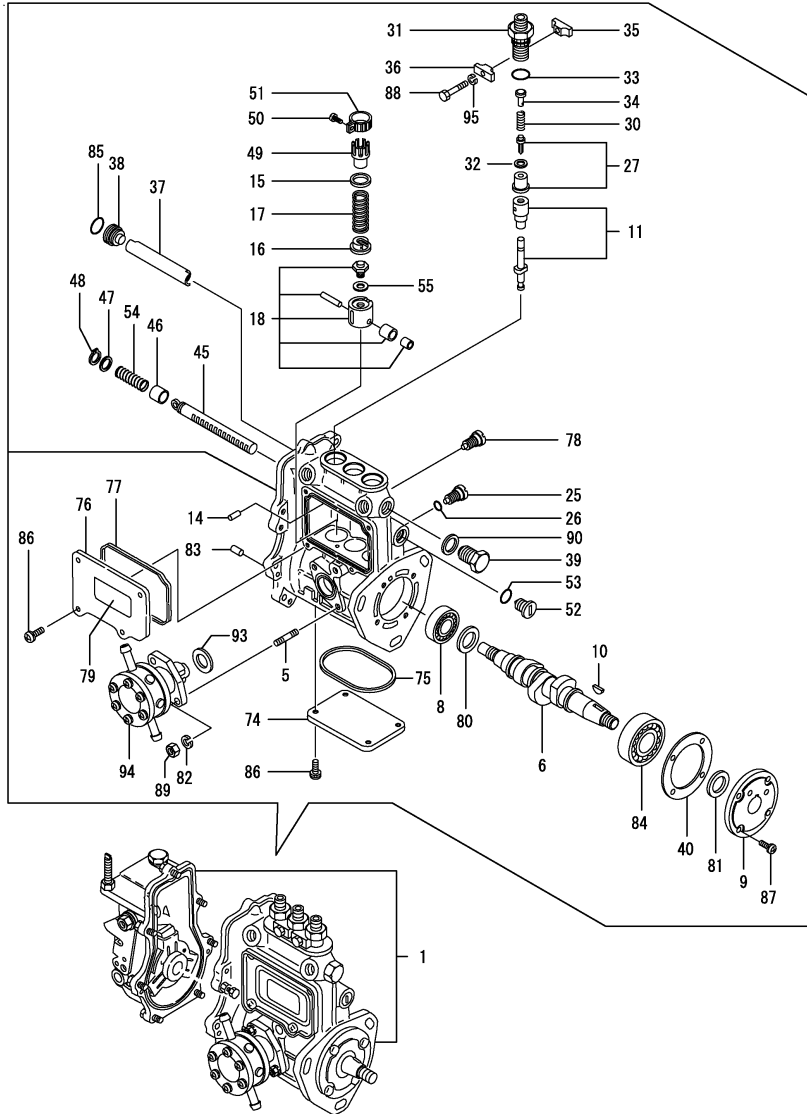
No.	Lev.	Parts No.	Description	Q'ty						I	R
				(A)	(B)	(C)	(D)	(E)	(F)		
1	1	729051-51350	PUMP ASSY, INJECTION	1							1
5	2	129155-51020	STUD	2							
6	2	119810-51040	CAMSHAFT	1							
8	2	129155-51051	BEARING	1							
9	2	129155-51060	SUPPORT, CAMSHAFT	1							
10	2	122710-51090	KEY	1							
11	2	129506-51100	PLUNGER ASSY	3							
14	2	129155-51140	PIN	3							
15	2	174307-51170	RETAINER, SPRING A	3							
16	2	129155-51180	RETAINER, SPRING	3							
17	2	124950-51190	SPRING, PLUNGER	3							
18	2	129155-51200	TAPPET ASSY	3							
25	2	129155-51270	STOPPER, TAPPET	3							
26	2	129155-51280	O-RING, S6	3							
27	2	105300-51300	VALVE ASSY, DELIVERY	3							
30	2	129155-51320	SPRING, DELIVERY	3							
31	2	129155-51340	RETAINER	3							
32	2	124550-51350	GASKET, DELIVERY	3							
33	2	124550-51370	O-RING	3							
34	2	129155-51370	STOPPER, VALVE	3							
35	2	129155-51380	STOPPER	2							
36	2	129155-51390	STOPPER	2							
37	2	129155-51400	DEFLECTOR	1							
38	2	129155-51410	BOLT	1							
39	2	129155-51420	PLUG, M16	1							
40	2	129155-51450	SHIM SET, ADJUSTING	1							
45	2	129155-51500	RACK, CONTROL	1							
46	2	129155-51521	BUSH, RACK	1							
47	2	129155-51530	SPACER	1							
48	2	129155-51540	CIRCLIP	1							
49	2	129155-51550	PINION, CONTROL	3							
50	2	129100-51570	SCREW	3							
51	2	129100-51560	PINION	3							
52	2	129155-51570	PLUG, M12	1							
53	2	129155-51580	O-RING	1							
54	2	129155-51591	SPRING, RACK	1							
55	2	129155-51600	SHIM SET, ADJUSTING	3							
74	2	129155-51701	COVER	1							
75	2	129155-51711	GASKET	1							
76	2	129155-51751	COVER	1							
77	2	129155-51761	GASKET	1							
78	2	129155-51790	STOOPER, RACK	1							
79	2	129156-51910	LABEL, CAUTION	1							
80	2	129155-51930	SPACER, T=3.25	1							
81	2	129155-51940	SPACER, T=1.5	1							
82	2	22217-060000	WASHER, SPRING 6	2							
83	2	22351-050010	PIN, SPRING 5.0X10	2							
84	2	24101-063034	BEARING, BALL 6303	1							
85	2	24341-000160	O-RING, 1AS16.0	1							
86	2	26022-050122	SCREW, M5X12	8							
87	2	26022-060162	SCREW, M6X16	4							

Remarks

(1) GOVERNOR(FIG.NO.11)IS INCORPORATED IN THIS FUEL INJECTION PUMP. (REF.NO.1). (REMARKS)"EFFECTIVE MACHINE NO." OF ENGINE IS INDICATED ON THE ENGINE LABEL WHICH IS SHOWN IN FIG.4.

(A)=3TNE88-RBS2
(B)=
(C)=

(D)=
(E)=
(F)=



No.	Lev.	Parts No.	Description	Q'ty						I	R
				(A)	(B)	(C)	(D)	(E)	(F)		
88	2	26116-050302	BOLT, M5X 30 PLATED	2							
89	2	26716-060002	NUT, M6	2							
90	2	22190-160002	WASHER, SEAL 16	1							
93	2	129155-52051	GASKET	1							
94	2	129100-52100	PUMP ASSY, FUEL FEED	1							
95	2	22217-050000	WASHER, SPRING 5	2							

Remarks
(1) GOVERNOR(FIG.NO.11)IS INCORPORATED IN THIS FUEL INJECTION PUMP.
(REF.NO.1).
(REMARKS)"EFFECTIVE MACHINE NO." OF ENGINE IS INDICATED ON THE ENGINE LABEL WHICH IS SHOWN IN FIG.4.

(A)=3TNE88-RBS2

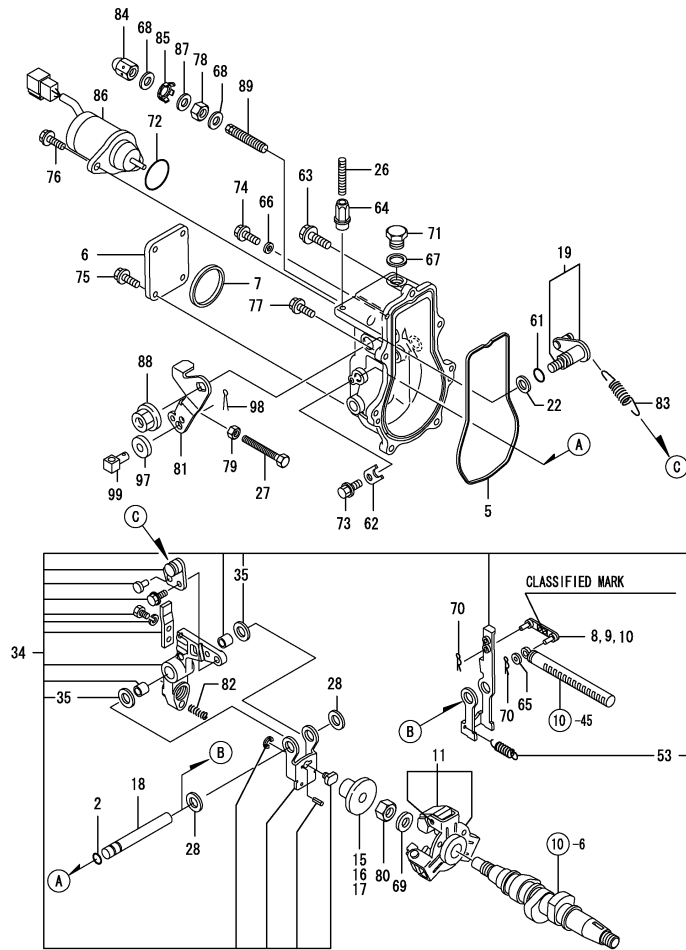
(B)=

(C)=

(D)=

(E)=

(F)=



No.	Lev.	Parts No.	Description	Q'ty						I	R
				(A)	(B)	(C)	(D)	(E)	(F)		
2	2	129155-51280	O-RING, S6	1							
5	2	129052-61051	GASKET	1							
6	2	129052-61060	COVER, GOVERNOR CASE	1							
7	2	129052-61071	GASKET	1							
8	2	129155-61120	LINK, L=30 MARK 0	1							1
9	2	129155-61130	LINK, L=31 MARK 1	1							1
10	2	129155-61140	LINK, L=30.5 MARK 05	1							1
11	2	129155-61202	WEIGHT ASSY,GOVERNOR	1							
15	2	129155-61341	SLEEVE	1							2
16	2	129155-61350	SLEEVE, L=24.9	1							2
17	2	129155-61360	SLEEVE, L=25.2	1							2
18	2	129052-61390	SHAFT	1							
19	2	129100-61400	SHAFT ASSY	1							
22	2	129155-61430	SPACER	1							
26	2	129155-61450	BOLT, LIMITER	1							
27	2	129155-61460	BOLT, IDLE	1							
28	2	129155-61480	SPACER ASSY	2							
34	2	119908-61501	LEVER ASSY, GOVERNOR	1							
35	3	174307-51700	SHIM SET	2							
53	3	129486-61540	SPRING, SET	1							
61	2	129155-61830	O-RING, S10	1							
62	2	119660-61901	RETAINER, SHAFT	1							
63	2	129155-61950	BOLT	1							
64	2	129209-61370	NUT, M6	1							
65	2	22117-040000	WASHER, 4	1							
66	2	22190-060003	SEAL WASER 6	1							
67	2	22190-100002	WASHER, SEAL 10	1							
68	2	22190-120002	WASHER, SEAL 12	2							
69	2	22287-120000	WASHER, 12	1							
70	2	22372-040000	PIN, SNAP 4	2							
71	2	23887-100002	PLUG, 10	1							
72	2	24341-000280	O-RING, 1AS28.0	1							
72-1	2	158552-61900	O-RING	1							N
(A=EXXXXX)											
73	2	26106-060102	BOLT, M6X 10 PLATED	1							
74	2	26106-060102	BOLT, M6X 10 PLATED	1							
75	2	26106-060102	BOLT, M6X 10 PLATED	4							
76	2	26106-060142	BOLT, M6X 14 PLATED	2							
77	2	26106-060202	BOLT, M6X 20 PLATED	6							
78	2	26736-120002	NUT, M12	1							
79	2	26756-060002	NUT, LOCK M6	1							
80	2	26776-120002	NUT, LOCK M12	1							
81	2	129100-61440	LEVER, CONTROL	1							
82	2	129100-61650	SPRING, CONTROLLER	1							
83	2	171353-61710	SPRING, GOVERNOR	1							
84	2	129209-61930	NUT, CAP	1							
85	2	129209-61970	PLATE	1							
86	2	119653-77950	SOLENOID, STOP	1							
87	2	23414-120016	GASKET, 12X1.0	1							
88	2	26366-080002	NUT, M8	1							
89	2	129208-61450	LIMITER ASSY, FUEL	1							

Remarks

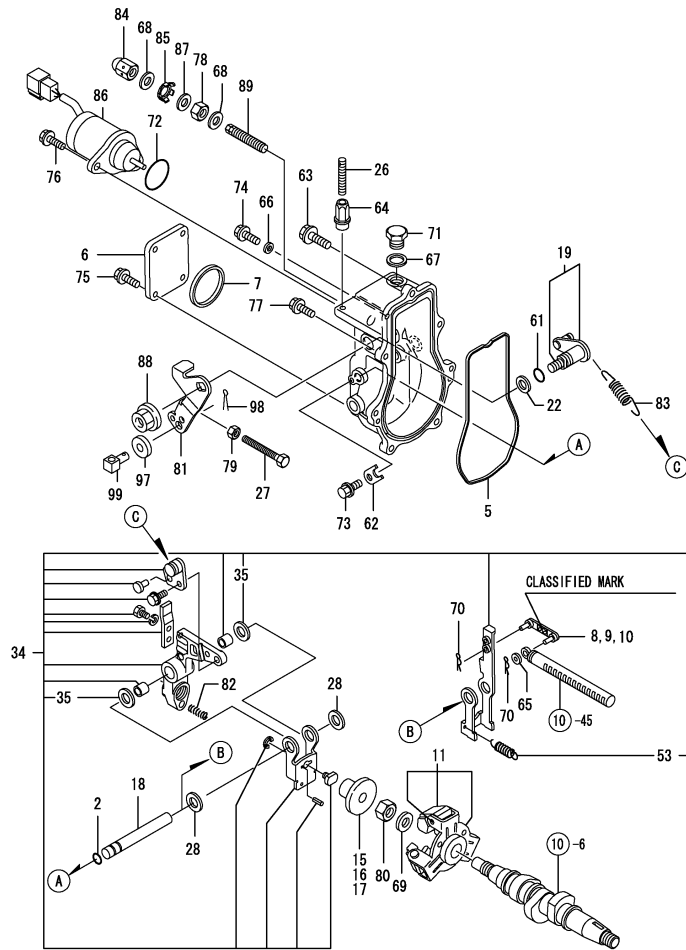
(1) SELECTIVE PARTS: CERTAIN THE CLASSIFICATION MARK, THEN PLACE YOUR ORDER.(REFER TO ILLUSTRATION)

(2) SELECTIVE PART.

* THIS FIGURE(GOVERNOR ASSY) IS INCORPORATED IN THE FUEL INJECTION PUMP ASSY(FIG.10).
 (REMARKS)"EFFECTIVE MACHINE NO." OF ENGINE IS INDICATED ON THE ENGINE LABEL WHICH IS SHOWN IN FIG.4.

(A)=3TNE88-RBS2
(B)=
(C)=

(D)=
(E)=
(F)=



No.	Lev.	Parts No.	Description	Q'ty						I	R
				(A)	(B)	(C)	(D)	(E)	(F)		
97	2	22137-080000	WASHER, 8	1							
98	2	22417-160180	PIN, COTTER 1.6X18	1							
99	2	194150-01370	ADJUSTER	1							

Remarks

(1) SELECTIVE PARTS: CERTAIN THE CLASSIFICATION MARK, THEN PLACE YOUR ORDER.(REFER TO ILLUSTRATION)
(2) SELECTIVE PART.
* THIS FIGURE(GOVERNOR ASSY) IS INCORPORATED IN THE FUEL INJECTION PUMP ASSY(FIG.10).
(REMARKS)"EFFECTIVE MACHINE NO." OF ENGINE IS INDICATED ON THE ENGINE LABEL WHICH IS SHOWN IN FIG.4.

(A)=3TNE88-RBS2

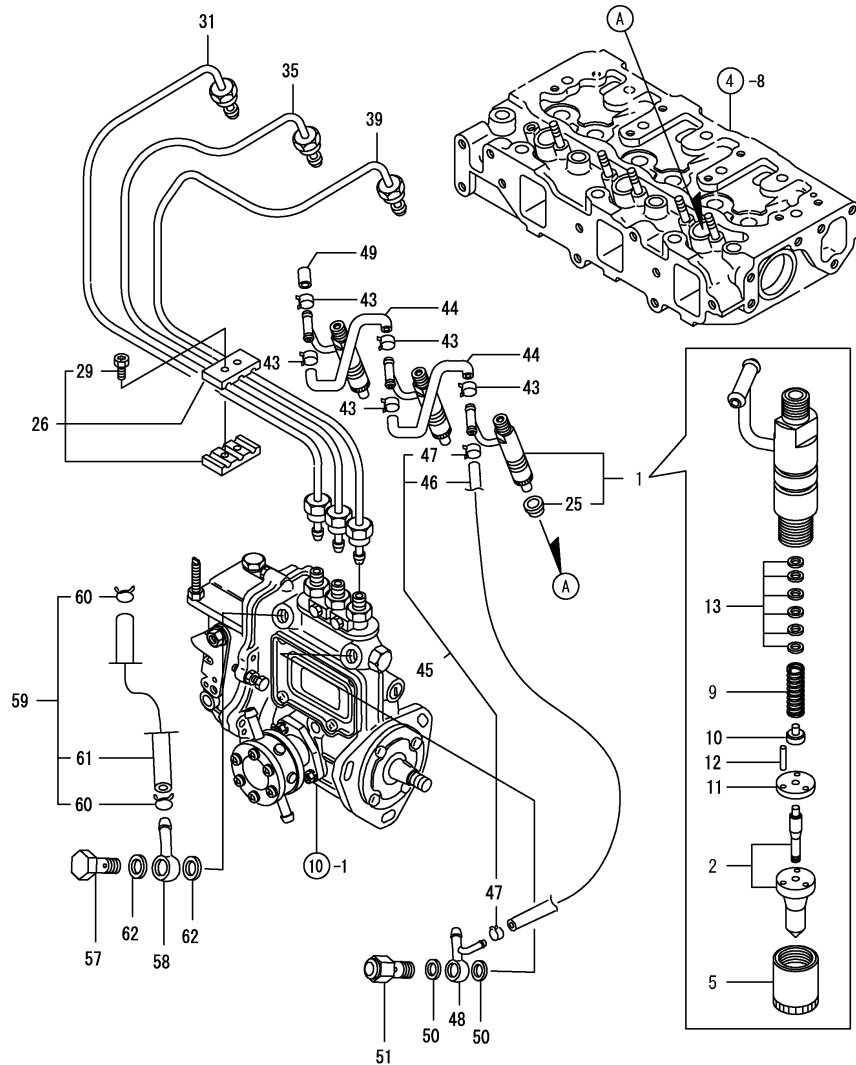
(B)=

(C)=

(D)=

(E)=

(F)=



No.	Lev.	Parts No.	Description	Q'ty						I	R
				(A)	(B)	(C)	(D)	(E)	(F)		
1	1	729457-53100	VALVE ASSY,INJECTION	3							
2	2	129503-53000	VALVE ASSY,INJECTION	3							
5	2	114250-53080	NUT, NOZZLE D16.95	3							
9	2	114250-53120	SPRING, NOZZLE	3							
10	2	114250-53130	SEAT, SPRING	3							
11	2	114250-53140	PLATE	3							
12	2	114250-53210	PIN	6							
13	2	114250-53400	SHIM SET	3							
25	2	129470-11920	GASKET	3							
26	1	129150-59120	RETAINER, PIPE	1							
29	2	129150-59131	BOLT, M4X14	2							
31	1	129100-59912	PIPE ASSY, INJECTION	1							
35	1	129100-59922	PIPE ASSY, INJECTION	1							
39	1	129100-59932	PIPE ASSY, INJECTION	1							
43	1	124066-59100	CLIP, HOSE 8	5							
44	1	121250-59550	PIPE, FUEL D8X120	2							
45	1	119840-59500	PIPE ASSY, RETURN	1							
46	2	119840-59560	PIPE, FUEL RETURN	1							
47	2	124066-59100	CLIP, HOSE 8	2							
48	1	119840-59570	JOINT	1							
49	1	129150-59580	CAP	1							
50	1	22190-120002	WASHER, SEAL 12	2							
51	1	119813-59950	VALVE ASSY, CHECK	1							
57	1	103854-39140	BOLT, PIPE JOINT	1							
58	1	101304-59020	JOINT, PIPE 12	1							
59	1	119860-59020	PIPE ASSY, FUEL	1							
60	2	124766-59050	CLIP, HOSE 12	2							
61	2	105110-59560	PIPE, FUEL	1							
62	1	22190-120002	WASHER, SEAL 12	2							

Remarks
 (REMARKS)"EFFECTIVE MACHINE NO." OF
 ENGINE IS INDICATED ON THE
 ENGINE LABEL WHICH IS SHOWN
 IN FIG.4.

(A)=3TNE88-RBS2

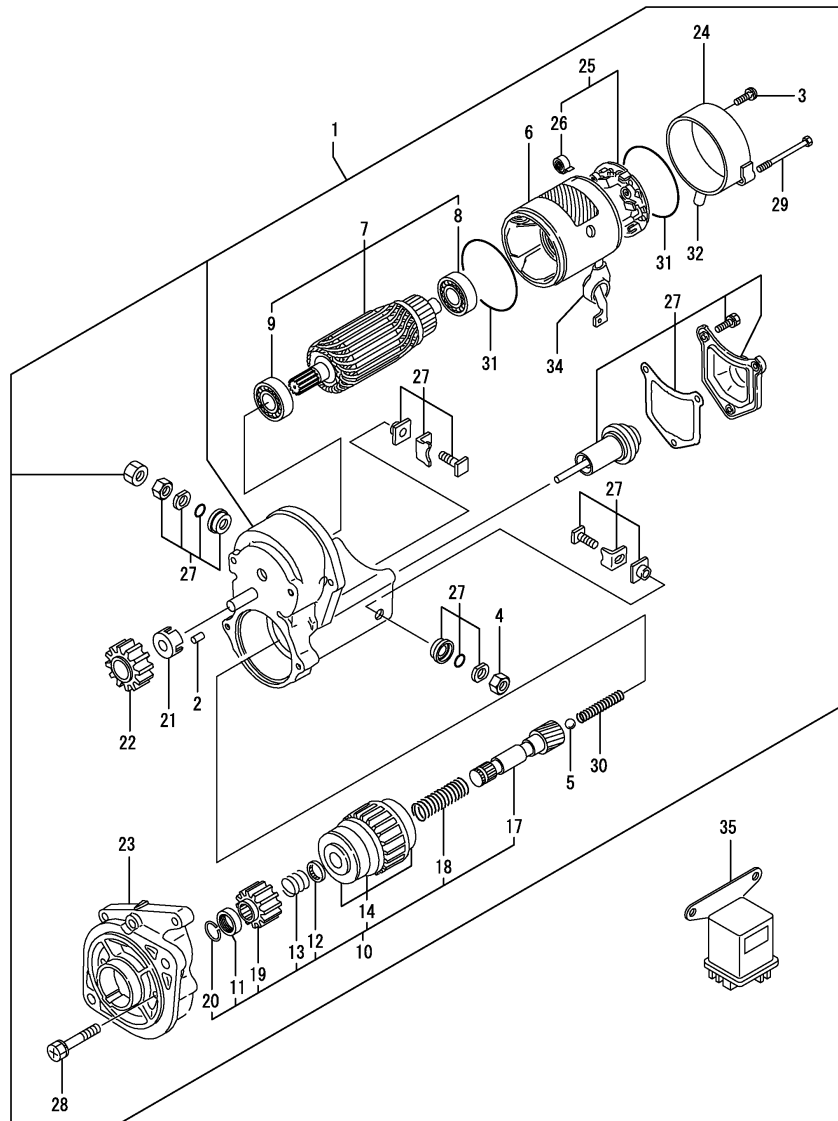
(B)=

(C)=

(D)=

(E)=

(F)=



No.	Lev.	Parts No.	Description	Q'ty						I	R
				(A)	(B)	(C)	(D)	(E)	(F)		
1	1	129129-77010	STARTER ASSY	1							
2	2	X0283060061	ROLLER	5							
3	2	129129-77460	SCREW	2							
4	2	X9490561370	NUT	1							
5	2	X9491200240	BALL	1							
6	2	129129-77210	YOKE ASSY	1							
7	2	129129-77220	ARMATURE ASSY	1							
8	3	129129-77230	BEARING	1							
9	3	129129-77240	BEARING	1							
10	2	129129-77250	STARTER	1							
11	3	X0280210230	NUT	1							
12	3	X0283270140	RETAINER	1							
13	3	X9491703371	SPRING, COIL	1							
14	3	129129-77390	CLUTCH ASSY	1							
17	3	129129-77400	SHAFT	1							
18	3	129129-77410	SPRING, COIL	1							
19	3	129129-77420	PINION, STARTER	1							
20	3	129129-77430	RING	1							
21	2	129129-77260	RETAINER	1							
22	2	129129-77270	PINION	1							
23	2	129129-77280	HOUSING	1							
24	2	129129-77290	FRAME	1							
25	2	129129-77300	HOLDER ASSY	1							
26	3	X9491730461	SPRING	4							
27	2	129129-77310	SWITCH ASSY	1							
28	2	129129-77320	BOLT	2							
29	2	129129-77330	BOLT	2							
30	2	129129-77340	SPRING	1							
31	2	129129-77350	O-RING	2							
32	2	129129-77362	COVER	1							
34	2	129129-77380	CAP	1							
35	1	119650-77910	RELAY ASSY, GLOW	1							

Remarks
 (REMARKS)"EFFECTIVE MACHINE NO." OF
 ENGINE IS INDICATED ON THE
 ENGINE LABEL WHICH IS SHOWN
 IN FIG.4.



Parts No. Index

Parts No.	Fig. No.	Ref. No.
101304-59020	12	58
103854-39140	12	57
105110-59560	12	61
105300-51300	10	27
105425-01690	3	3
114250-39450	8	32
114250-53080	12	5
114250-53120	12	9
114250-53130	12	10
114250-53140	12	11
114250-53210	12	12
114250-53400	12	13
119225-11740	2	27
119225-11750	2	28
119255-44660	9	42
119609-32040	2	15
119620-49290	9	31
119625-11870	4	27
119625-11880	4	28
119625-11900	4	29
119650-77910	13	35
119653-77950	11	86
119660-61901	11	62
119802-11280	4	41
119802-13600	5	10
119802-13660	5	11
119802-13710	5	12
119810-51040	10	6
119813-59950	12	51
119840-59500	12	45
119840-59560	12	46
119840-59570	12	48
119860-59020	12	59
119908-61501	11	34
120130-11860	4	12
121023-01550	2	24
121111-21501	7	12
		37
121250-44901	9	30
121250-59550	12	44
121400-11340	4	24
121450-01560	2	2
121450-42450	9	25
121450-44531	9	37
121468-44510	9	35
121468-44540	9	38
121470-44581	9	40
121520-34810	8	17
121550-23200	7	26
121850-21680	7	11

Parts No.	Fig. No.	Ref. No.
121850-42410	9	9
121850-51960	2	12
122710-51090	10	10
123900-13610	5	13
124066-59100	12	43
		47
124160-01751	2	8
124160-01910	1	8
124160-11360	4	46
124160-39140	8	27
124240-01871	2	9
		30
	6	19
124240-01883	2	31
	6	20
124395-49840	9	23
124450-44560	9	39
124460-11340	4	25
124465-44950	9	26
		34
124550-21600	7	38
124550-51350	10	32
124550-51370	10	33
124550-59820	8	34
124550-59830	8	33
124574-44761	9	16
124736-07900	4	6
124766-59050	9	43
	12	60
124950-51190	10	17
129001-01250	1	7
129001-01340	1	31
129001-02930	1	27
129001-11310	4	48
129001-11340	4	49
129001-11700	4	8
129001-11851	4	47
129001-13110	5	8
129001-21100	7	1
129001-22081	7	13
129001-22500	7	15
129001-22901	7	31
129001-22950	7	33
129001-32001	8	1
129001-35300	8	23
129001-42003	9	1
129001-42040	9	18
129001-91841	2	22
	3	9
129001-91910	3	10

Parts No.	Fig. No.	Ref. No.
129051-34820	8	16
129052-13150	5	9
129052-61051	11	5
129052-61060	11	6
129052-61071	11	7
129052-61390	11	18
129100-01520	2	1
129100-01580	1	38
	3	12
	7	2
129100-01590	2	4
129100-01640	3	13
129100-11100	4	18
129100-11110	4	19
129100-23910	7	25
129100-25061	6	9
129100-42051	9	3
129100-42121	9	4
129100-51560	10	51
129100-51570	10	50
129100-52100	10	94
129100-59912	12	31
129100-59922	12	35
129100-59932	12	39
129100-61400	11	19
129100-61440	11	81
129100-61650	11	82
129122-12100	5	1
129126-01550	3	1
129126-01700	3	6
129129-01540	3	2
129129-14580	6	3
129129-35010	8	39
129129-35080	8	40
129129-35090	8	38
129129-77010	13	1
129129-77210	13	6
129129-77220	13	7
129129-77230	13	8
129129-77240	13	9
129129-77250	13	10
129129-77260	13	21
129129-77270	13	22
129129-77280	13	23
129129-77290	13	24
129129-77300	13	25
129129-77310	13	27
129129-77320	13	28
129129-77330	13	29
129129-77340	13	30

Parts No.	Fig. No.	Ref. No.
129129-77350	13	31
129129-77362	13	32
129129-77380	13	34
129129-77390	13	14
129129-77400	13	17
129129-77410	13	18
129129-77420	13	19
129129-77430	13	20
129129-77460	13	3
129150-01200	1	30
129150-01580	2	3
129150-01721	3	4
129150-01881	2	33
129150-02020	1	10
129150-02450	6	4
129150-02870	1	35
129150-02930	1	24
129150-02940	1	32
129150-03090	4	1
129150-03100	2	11
129150-11230	4	38
129150-11280	4	33
129150-11290	4	34
129150-11370	4	26
129150-11750	4	40
129150-11810	4	14
129150-12111	5	2
129150-14101	6	7
129150-14200	6	1
129150-14400	6	2
129150-21200	7	5
129150-21651	7	9
129150-23600	7	27
129150-23610	7	29
129150-25101	6	10
129150-25900	6	15
129150-25920	6	12
129150-26050	6	22
129150-32020	8	14
129150-35042	8	18
129150-35101	8	20
129150-35111	8	21
129150-35170	8	22
129150-35350	8	24
129150-39450	8	28
129150-49811	9	22
129150-59120	12	26
129150-59131	12	29
129150-59580	12	49
129150-77511	5	4



Parts No. Index

Parts No.	Fig. No.	Ref. No.
129150-77511	5	15
129155-11241	4	30
129155-11260	4	31
129155-11270	4	32
129155-49801	9	21
129155-51020	10	5
129155-51051	10	8
129155-51060	10	9
129155-51140	10	14
129155-51180	10	16
129155-51200	10	18
129155-51270	10	25
129155-51280	10	26
	11	2
129155-51320	10	30
129155-51340	10	31
129155-51370	10	34
129155-51380	10	35
129155-51390	10	36
129155-51400	10	37
129155-51410	10	38
129155-51420	10	39
129155-51450	10	40
129155-51500	10	45
129155-51521	10	46
129155-51530	10	47
129155-51540	10	48
129155-51550	10	49
129155-51570	10	52
129155-51580	10	53
129155-51591	10	54
129155-51600	10	55
129155-51701	10	74
129155-51711	10	75
129155-51751	10	76
129155-51761	10	77
129155-51790	10	78
129155-51930	10	80
129155-51940	10	81
129155-52051	10	93
129155-61120	11	8
129155-61130	11	9
129155-61140	11	10
129155-61202	11	11
129155-61341	11	15
129155-61350	11	16
129155-61360	11	17
129155-61430	11	22
129155-61450	11	26
129155-61460	11	27

Parts No.	Fig. No.	Ref. No.
129155-61480	11	28
129155-61830	11	61
129155-61950	11	63
129156-51910	10	79
129202-22300	7	19
129208-61450	11	89
129209-61370	11	64
129209-61930	11	84
129209-61970	11	85
129350-49530	9	19
129403-42380	9	24
129470-11920	12	25
129486-01670	3	16
129486-42021	9	13
129486-42140	9	27
129486-61540	11	53
129503-53000	12	2
129506-51100	10	11
129555-26000	6	21
129556-44740	9	15
129795-01780	3	15
129795-01800	2	7
129795-01950	2	10
129795-02411	1	11
129795-11120	4	20
129795-11180	4	21
129795-21661	7	10
129795-49551	9	20
158552-61900	11	72 -1
171051-01921	1	9
171340-77520	5	5
171353-61710	11	83
174307-51170	10	15
174307-51700	11	35
194150-01370	11	99
22117-040000	11	65
22137-080000	11	97
22190-060003	11	66
22190-080002	2	13
		14
	8	35
		36
22190-100002	8	37
	11	67
22190-120002	11	68
	12	50
		62
22190-160002	3	5
	10	90
22217-050000	10	95

Parts No.	Fig. No.	Ref. No.
22217-060000	10	82
22217-120000	6	16
22252-000260	7	20
22287-120000	11	69
22351-050010	10	83
22351-060012	4	42
22372-040000	11	70
22417-160180	11	98
22512-070140	6	8
	7	6
		8
23065-070130	9	41
23414-120016	11	87
23876-010000	1	12
	9	11
23876-020000	9	12
23876-030000	9	10
23887-100002	11	71
24101-063034	10	84
24105-060064	6	26
24311-000120	4	5
24311-000160	8	25
24311-000300	2	29
24311-000320	2	16
24341-000160	10	85
24341-000240	2	25
24341-000280	11	72
26014-060252	9	17
26022-050122	10	86
26022-060162	10	87
26106-060102	11	73
		74
		75
26106-060142	11	76
26106-060162	2	26
26106-060202	11	77
26106-080122	2	17
		32
	3	8
	8	41
26106-080142	4	7
	6	18
26106-080162	2	18
		19
	9	28
26106-080202	8	26
26106-080222	9	29
26106-080252	3	11
	4	43
	5	3

Parts No.	Fig. No.	Ref. No.
26106-080252	5	6
	6	27
26106-080352	8	19
26106-080452	2	20
	6	14
26106-080502	4	44
26106-080552	2	21
26106-080602	9	14
26106-080652	5	7
26116-050302	10	88
26216-060202	4	16
26306-080002	2	23
	5	14
	6	28
26366-060002	4	45
26366-080002	11	88
26450-060252	8	15
26716-120002	10	89
26716-120002	6	17
26736-120002	11	78
26756-060002	11	79
26776-120002	11	80
27241-120000	1	13
27241-300000	1	14
27241-400000	4	17
27310-080001	4	22
729001-01560	1	1
729051-51350	10	1
729402-11650	4	37
729402-23100	7	21
729457-53100	12	1
X0280210230	13	11
X0283060061	13	2
X0283270140	13	12
X9490561370	13	4
X9491200240	13	5
X9491703371	13	13
X9491730461	13	26