

0CV10-M66601EN

P R E F A C E

1. This Parts Catalog carries all parts incorporated in YANMAR Model 3TNE84MT - K engine manufactured since July, 1999 & 3TNE84MT - EK engine manufactured since March, 2000.

2. Parts catalog history

	Parts catalog No.	Published	Remarks
1st edition	000Y00V6660	1999/6	Disuse old edition
1st revised	000Y00V6661	2000/7	

3. Model name

Column	Model name	Manufactured	E/#
(A)	3TNE84MT - K	1999/7 ~ 11	10101 ~ 10244
(B)	3TNE84MT - EK	2000/3 ~	10245 ~

4. Each illustration corresponds to the parts list on the following page.

5. When ordering parts, clearly write down the engine model and serial number, as well as the name and number of each part in your order sheet. This will help insure reliable delivery of the parts you have ordered.

Fig. No. Fig. Name

3TNE84MT-(E)K

1. CYLINDER BLOCK
2. GEAR HOUSING
3. MOUNTING FLANGE & OIL SUMP
4. CYLINDER HEAD & BONNET
5. SUCTION MANIFOLD
6. CAMSHAFT & DRIVING GEAR
7. TURBINE
8. CRANKSHAFT & PISTON
9. LUB.OIL SYSTEM
10. LUB.OIL LINE
11. COOLING SEA WATER SYSTEM
12. COOLING FRESH WATER SYSTEM
13. COOLING FRESH WATER COOLER
14. FUEL INJECTION PUMP
20. (14A)FUEL INJECTION PUMP
15. GOVERNOR
21. (15A)GOVERNOR
16. FUEL INJECTION VALVE
17. FUEL LINE
18. STARTING MOTOR
19. GASKET SET

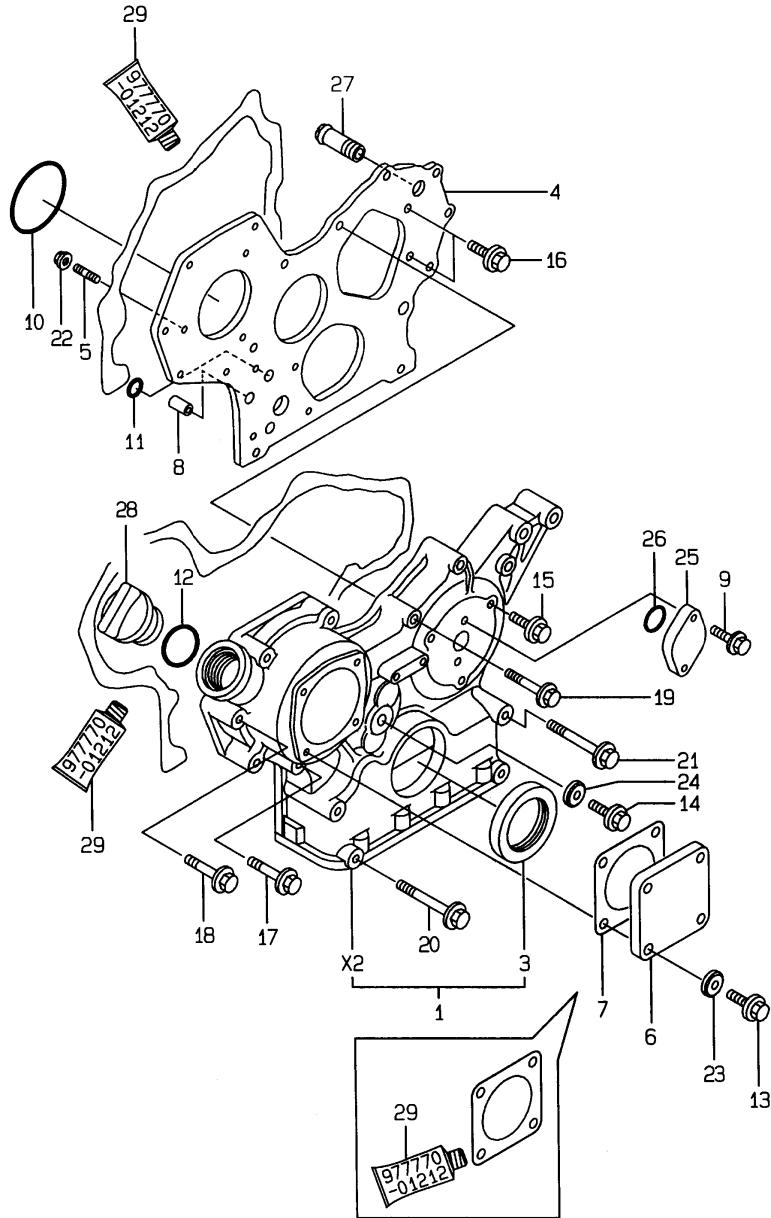
Fig. No. Fig. Name



(A)=3TNE84MT-K
(B)=3TNE84MT-EK
(C)=

(D)=
(E)=
(F)=

2. GEAR HOUSING



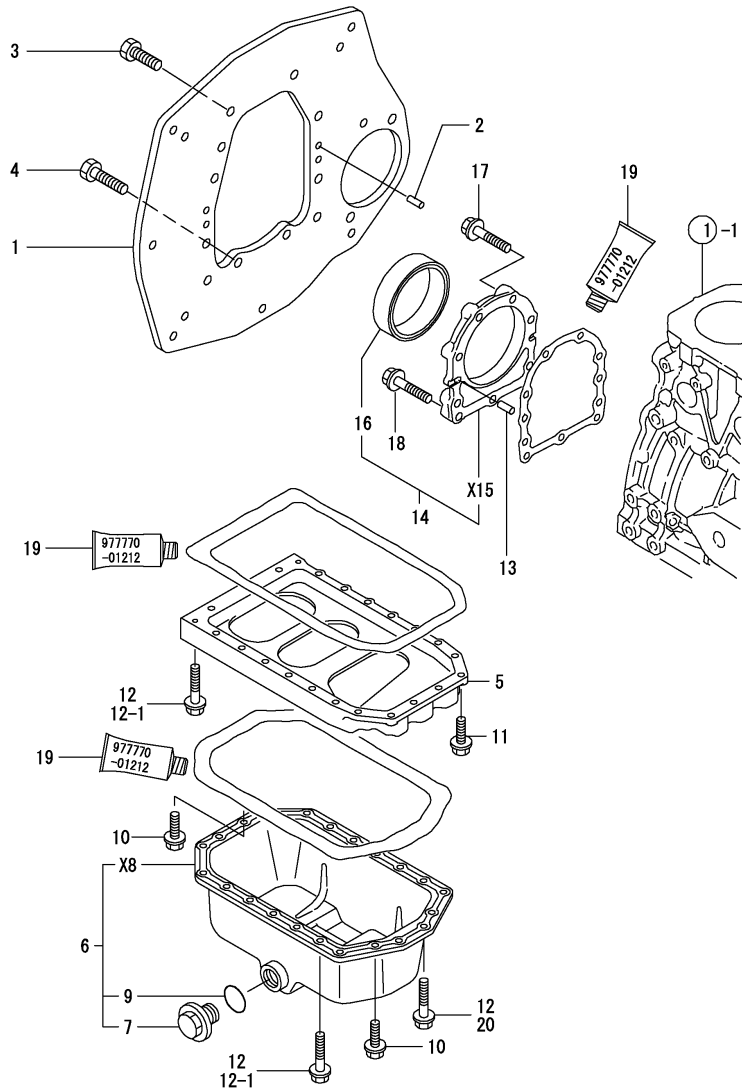
x-MARK PARTS: NOT SOLD SEPARATELY.

No.	Lev.	Parts No.	Description	Q'ty						I	R
				(A)	(B)	(C)	(D)	(E)	(F)		
1	1	719810-01500	CASE ASSY, GEAR	1	1						
3	2	129795-01800	SEAL, OIL	1	1						
4	1	129103-01530	FLANGE, GEAR CASE	1	1						
5	1	121450-01560	STUD, M8X22	3	3						
6	1	124240-01871	COVER	1	1						
7	1	124240-01883	GASKET	1							Z
(A=EXXX)											
8	1	129795-01950	PIPE, KNOCK L=18	2	2						
9	1	26106-060162	BOLT, M6X 16 PLATED	2	2						
10	1	121850-51960	O-RING	1	1						
11	1	24311-000160	O-RING, 1AP16.0	2	2						
12	1	24311-000320	O-RING, 1AP32.0	1	1						
13	1	26106-080122	BOLT, M8X 12 PLATED	4	4						
14	1	26106-080162	BOLT, M8X 16 PLATED	1	1						
15	1	26106-080162	BOLT, M8X 16 PLATED	3	3						
16	1	26106-080202	BOLT, M8X 20 PLATED	2	2						
17	1	26106-080452	BOLT, M8X 45 PLATED	4	4						
18	1	26106-080502	BOLT, M8X 50 PLATED	2	2						
19	1	26106-080552	BOLT, M8X 55 PLATED	3	3						
20	1	26106-080852	BOLT, M8X 85 PLATED	2	2						
21	1	26106-080902	BOLT, M8X 90 PLATED	2	2						
22	1	26366-080002	NUT, M8	3	3						
23	1	22190-080002	WASHER, SEAL 6	4	4						
24	1	22190-080002	WASHER, SEAL 6	1	1						
25	1	121023-01550	COVER	1	1						
26	1	24341-000240	O-RING, 1AS24.0	1	1						
27	1	129122-44480	JOINT	1	1						
28	1	124160-01751	COVER, FILLER	1	1						
29	1	977770-01212	GASKET, LIQUID	1	1						1

Remarks
(1) OPTIONAL PART.

(A)=3TNE84MT-K
(B)=3TNE84MT-EK
(C)=

(D)=
(E)=
(F)=



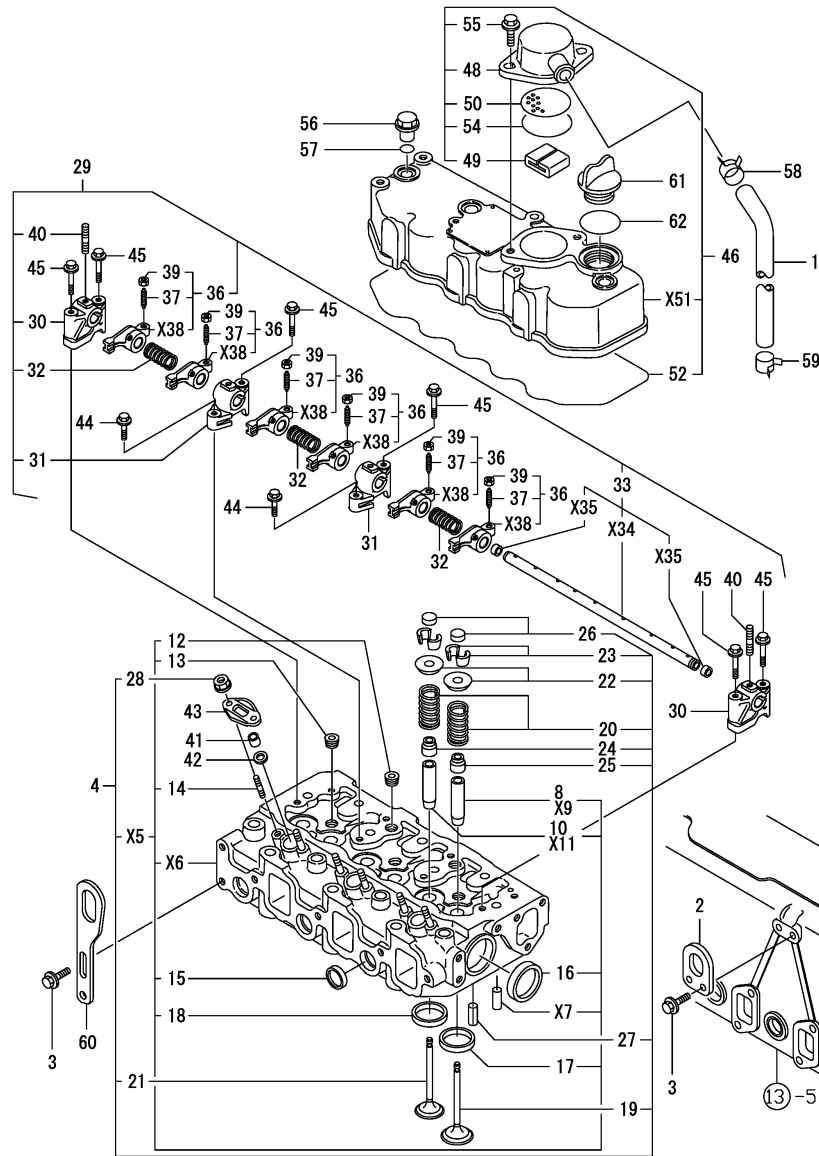
No.	Lev.	Parts No.	Description	Q'ty						I	R
				(A)	(B)	(C)	(D)	(E)	(F)		
1	1	129176-01601	FLANGE, MOUNTING	1	1						
2	1	129100-01580	PIN, M8X16	2	2						
3	1	26206-100202	BOLT, M10X 20 PLATED	6	6						
4	1	26206-100252	BOLT, M10X 25 PLATED	4	4						
5	1	129100-01730	SPACER, OIL SUMP	1	1						
6	1	129175-01770	SUMP ASSY, OIL	1	1						
7	2	171301-01640	PLUG, 22	1	1						
9	2	24341-000250	O-RING, 1AS25.0	1	1						
10	1	26106-080162	BOLT, M8X 16 PLATED	4	4						
11	1	26106-080252	BOLT, M8X 25 PLATED	2	2						
12	1	26106-080452	BOLT, M8X 45 PLATED	20	20						
12-1	1	26106-080452	BOLT, M8X 45 PLATED	16	16						K
(A=FROM 1ST) (B=FROM 1ST)											
13	1	129100-01580	PIN, M8X16	2	2						
14	1	129100-01640	CASE ASSY, OIL SEAL	1	1						
16	2	129795-01780	SEAL, OIL	1	1						
17	1	129486-01670	BOLT, M8X30	6	6						
18	1	26106-080352	BOLT, M8X 35 PLATED	3	3						
19	1	977770-01212	GASKET, LIQUID	1	1						1
20	1	26106-080502	BOLT, M8X 50 PLATED	4	4						W
(A=FROM 1ST) (B=FROM 1ST)											

X-MARK PARTS: NOT SOLD SEPARATELY.

Remarks
(1) OPTIONAL PART.

(A)=3TNE84MT-K
(B)=3TNE84MT-EK
(C)=

(D)=
(E)=
(F)=



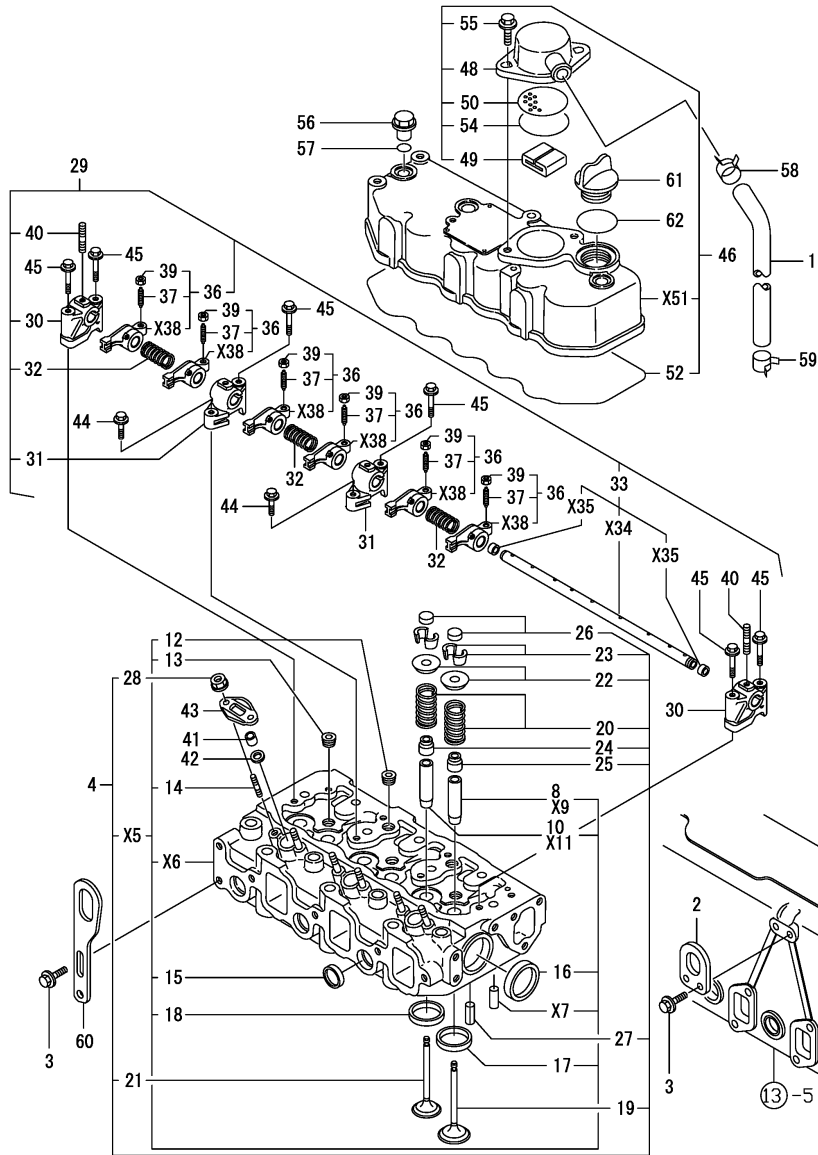
x-MARK PARTS:NOT SOLD SEPARATELY.

No.	Lev.	Parts No.	Description	Q'ty						I	R
				(A)	(B)	(C)	(D)	(E)	(F)		
1	1	129171-03090	PIPE , BREATHER	1	1						
2	1	129470-07230	LIFTER	1	1						
3	1	26106-080162	BOLT, M8X 16 PLATED	4	4						
4	1	729202-11710	HEAD ASSY, CYLINDER	1	1						
8	3	120130-11860	GUIDE, VALVE	3	3						1
10	3	129150-11810	GUIDE, VALVE	3	3						1
12	3	23871-020000	PLUG, R02	2							
12-1	3	23876-020000	PLUG, R02	2	2						N
(A=EXXX)											
13	3	23871-030000	PLUG, R03	3							
13-1	3	23876-030000	PLUG, R03	3	3						N
(A=EXXX)											
14	3	26216-060202	STUD, M6X 20	6	6						
15	3	27241-220000	PLUG, 22	3	3						
16	3	27241-400000	PLUG, 40	2	2						
17	3	129470-11080	SEAT, INTAKE VALVE	3	3						
18	3	129470-11090	SEAT, EXHAUST VALVE	3	3						
19	2	129100-11100	VALVE, INTAKE	3	3						
20	2	129795-11120	SPRING, VALVE	6	6						
21	2	129100-11130	VALVE, EXHAUST	3	3						
22	2	129795-11180	RETAINER, SPRING	6	6						
23	2	27310-080001	COTTER, 8	6	6						
24	2	121400-11340	SEAL, VALVE STEM	3	3						
25	2	124460-11340	SEAL, VALVE STEM	3	3						
26	2	129150-11370	CAP, VALVE	6	6						
27	2	22351-060012	PIN, SPRING 6.0X12	2	2						
28	2	26366-060002	NUT, M6	6	6						
29	1	129100-11240	SHAFT ASSY, ROCKER	1	1						
30	2	129155-11260	SUPPORT, ROCKER ARM	2	2						
31	2	129155-11270	SUPPORT, ROCKER ARM	2	2						
32	2	129150-11280	SPRING	3	3						
33	2	129150-11290	SHAFT, ROCKER ARM	1	1						
36	2	129100-11650	ARM, ROCKER	6	6						
37	3	129150-11230	SCREW, VALVE ADJUST	6	6						
39	3	129150-11750	NUT, M8	6	6						
40	2	26226-080182	STUD, M8X 18	3	3						
41	1	119625-11870	PROTECTOR, NOZZLE	3	3						
42	1	119625-11880	SEAT, NOZZLE	3	3						
43	1	119625-11900	RETAINER, NOZZLE	3	3						
44	1	26106-080252	BOLT, M8X 25 PLATED	2	2						
45	1	26106-080502	BOLT, M8X 50 PLATED	6	6						
46	1	129100-11350	BONNET ASSY, HEAD	1							
46-1	1	129100-11351	BONNET ASSY, HEAD	1							N
(A=E10241)											
46-2	1	729132-11521	BONNET ASSY, HEAD	1	1						R
(A=EXXX)											
48	2	129150-03020	COVER, BREATHER	1	1						
49	2	129150-03070	BAFFLE, BREATHER	1	1						
50	2	129150-03080	PLATE, BAFFLE	1	1						
52	2	129150-11310	GASKET, BONNET	1	1						
54	2	24341-000500	O-RING, 1AS50.0	1	1						

Remarks
(1) REPAIR PART.

(A)=3TNE84MT-K
 (B)=3TNE84MT-EK
 (C)=

(D)=
 (E)=
 (F)=

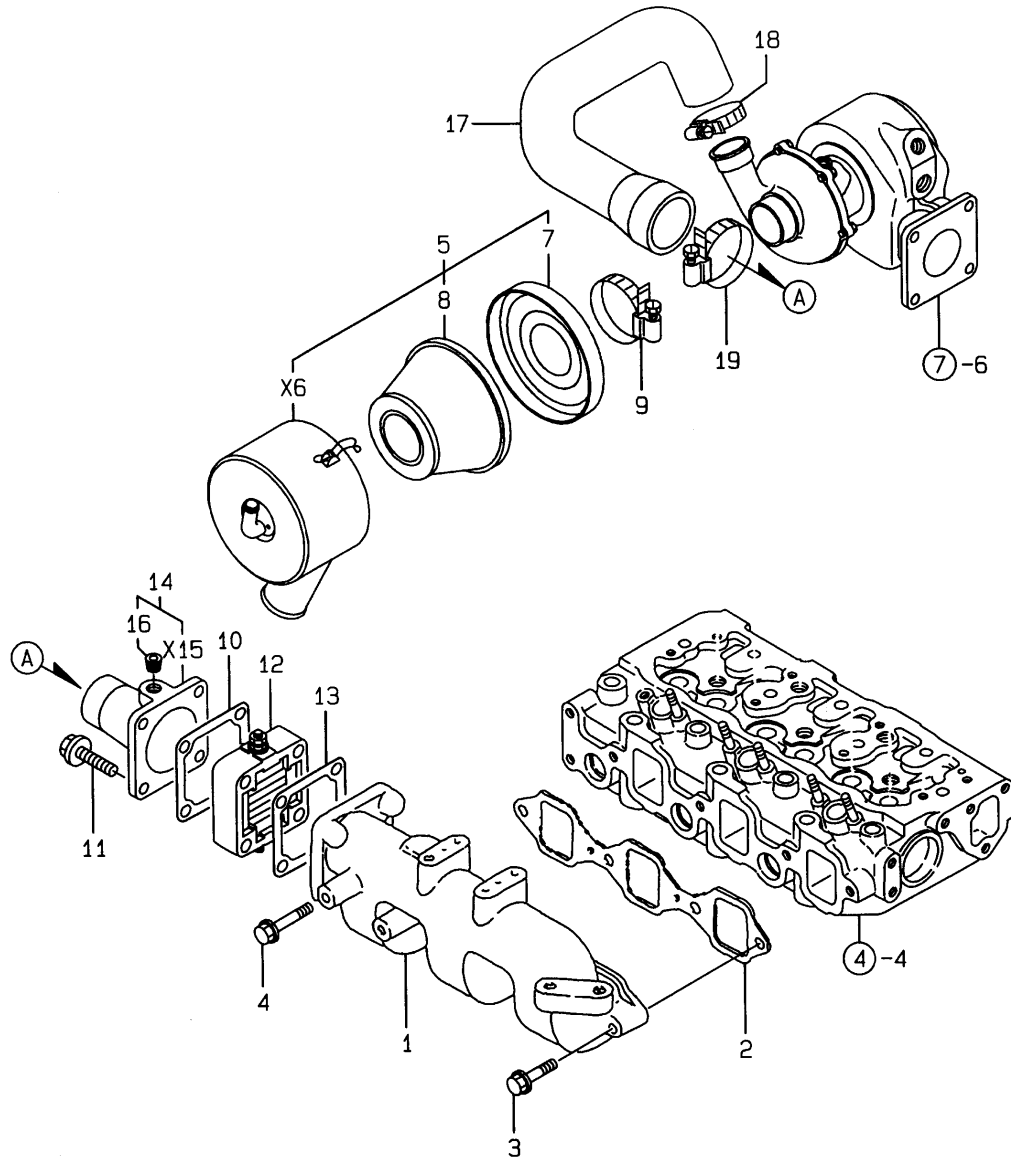


x-MARK PARTS:NOT SOLD SEPARATELY.

No.	Lev.	Parts No.	Description	Q'ty						I	R
				(A)	(B)	(C)	(D)	(E)	(F)		
55	2	26106-080162	BOLT, M8X 16 PLATED	2	2						
56	1	124160-11360	KNOB	3	3						
57	1	24311-000120	O-RING, 1AP12.0	3	3						
58	1	129410-03990	CLIP	1							
58-1	1	129960-03990	CLIP, HOSE 22	1	1						N
(A=E10129)											
59	1	129301-03660	CLAMP 16	1	1						
60	1	129900-07900	LIFTER	1	1						
61	1	124160-01751	COVER, FILLER	1	1						
62	1	24311-000320	O-RING, 1AP32.0	1	1						

Remarks
 (1) REPAIR PART.

5. SUCTION MANIFOLD



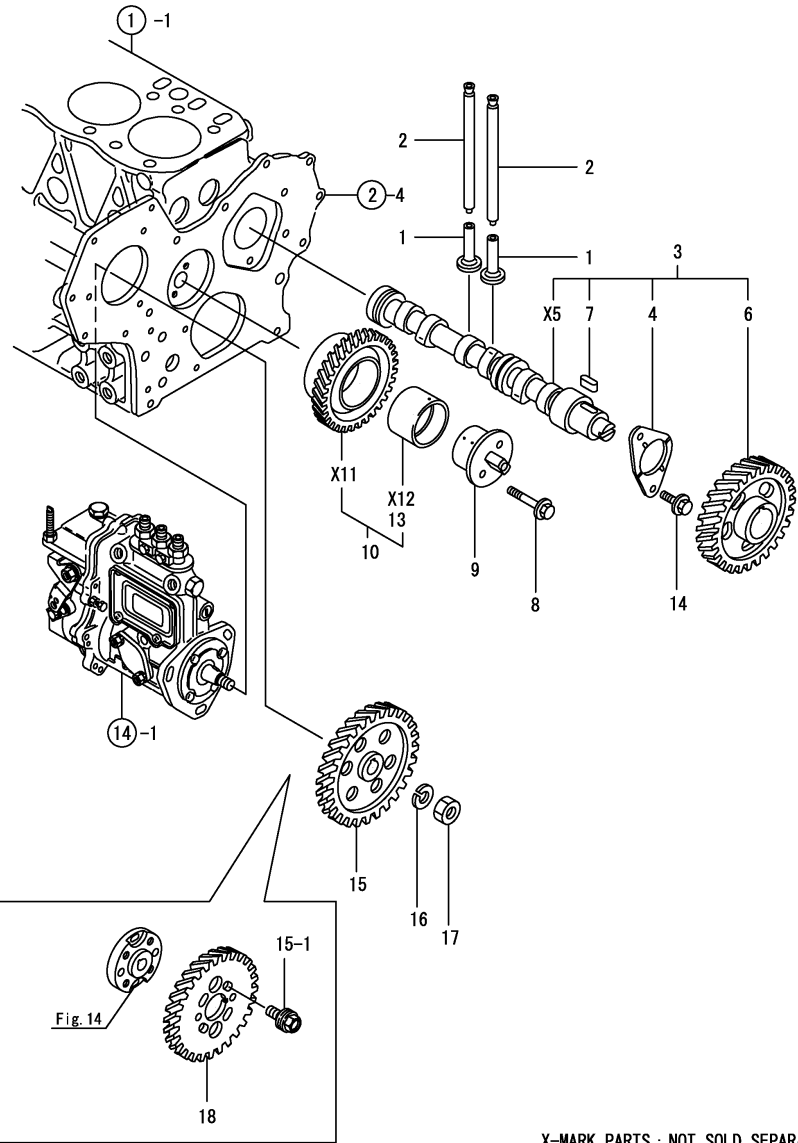
(A)=3TNE84MT-K
(B)=3TNE84MT-EK
(C)=

(D)=
(E)=
(F)=

No.	Lev.	Parts No.	Description	Q'ty						I	R
				(A)	(B)	(C)	(D)	(E)	(F)		
1	1	129170-12100	MANIFOLD, AIR INTAKE	1	1						
2	1	129150-12111	GASKET, MANIFOLD	1	1						
3	1	26106-080252	BOLT, M8X 25 PLATED	3	3						
4	1	26106-080352	BOLT, M8X 35 PLATED	1	1						
5	1	129477-12500	SILENCER ASSY	1	1						
7	2	129477-12530	PLATE	1	1						
8	2	124770-12540	ELEMENT	1	1						
9	1	23000-048000	CLAMP, 48	1	1						
10	1	129470-77590	GASKET	1	1						
11	1	26106-080402	BOLT, M8X 40 PLATED	4	4						
12	1	129100-77500	HEATER, AIR 12V	1	1						
13	1	129100-77510	GASKET	1	1						
14	1	129470-12210	JOINT ASSY	1	1						
16	2	23871-010000	PLUG, R01	1							
16-1	2	23876-010000	PLUG, R01	1	1						N
(A=EXXX)											
17	1	129477-12850	HOSE, RUBBER	1	1						
18	1	23000-048000	CLAMP, 48	1	1						
19	1	23000-060000	CLAMP, 60	1	1						

(A)=3TNE84MT-K
 (B)=3TNE84MT-EK
 (C)=

(D)=
 (E)=
 (F)=



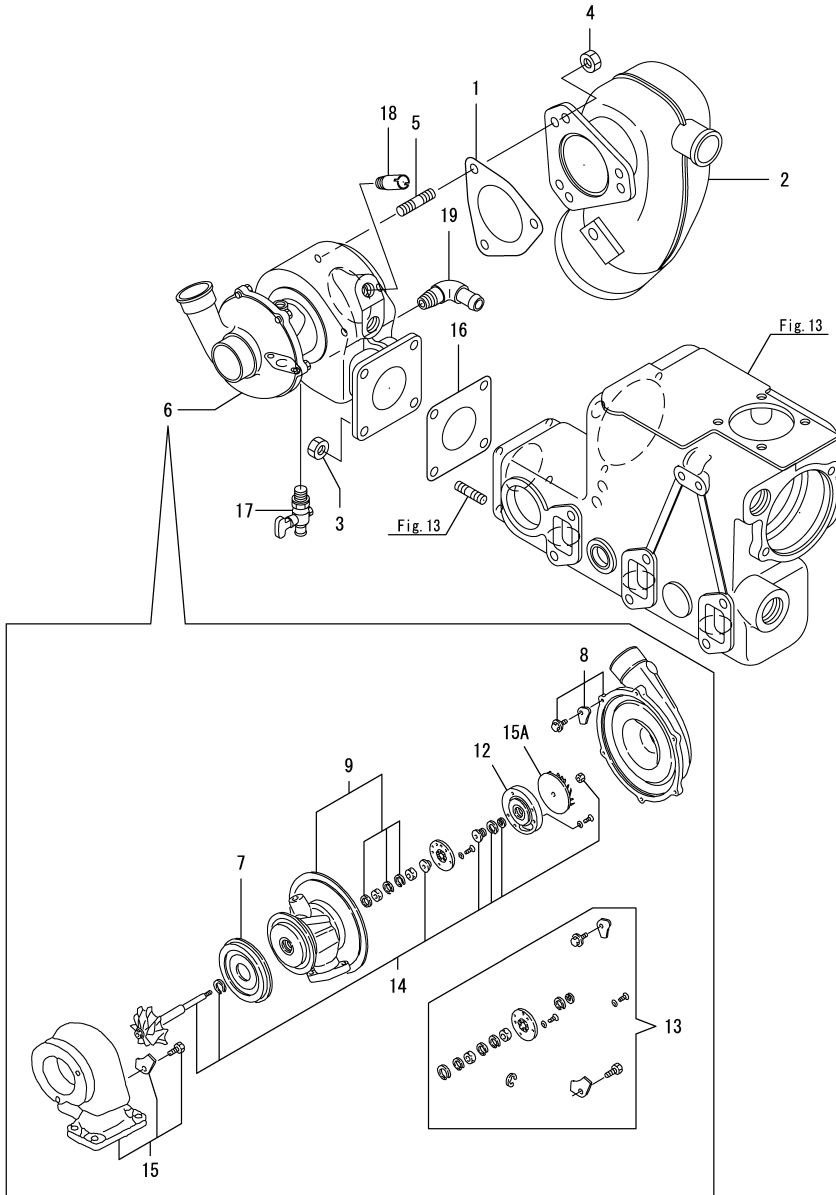
X-MARK PARTS : NOT SOLD SEPARATELY.

No.	Lev.	Parts No.	Description	Q'ty						I	R
				(A)	(B)	(C)	(D)	(E)	(F)		
1	1	129150-14200	TAPPET	6	6						
2	1	129150-14400	ROD, PUSH L=178	6	6						
3	1	129129-14580	CAMSHAFT ASSY	1	1						
4	2	129150-02450	BEARING, THRUST	1	1						
6	2	129150-14101	GEAR, CAMSHAFT	1	1						
7	2	22512-070140	KEY, 7X 14	1	1						
8	1	26106-080452	BOLT, M8X 45 PLATED	2	2						
9	1	129100-25061	SHAFT, IDLE	1	1						
10	1	129150-25101	GEAR ASSY, IDLE	1	1						
13	2	129150-25920	BUSH, IDLE GEAR	1	1						1
14	1	26106-080142	BOLT, M8X 14 PLATED	2	2						
15	1	129150-25900	GEAR, PUMP	1	1						
15-1	1	129150-25931	GEAR, PUMP (B=E10428)		1						S
16	1	22217-120000	WASHER, SPRING 12	1	1						
16-1	1	22217-120000	WASHER, SPRING 12 (B=E10428)		1						Z
17	1	26716-120002	NUT, M12	1	1						
17-1	1	26716-120002	NUT, M12 (B=E10428)		1						Z
18	1	129150-25301	BOLT (B=E10428)		4						W

Remarks
 (1) REPAIR PART.

(A)=3TNE84MT-K
 (B)=3TNE84MT-EK
 (C)=

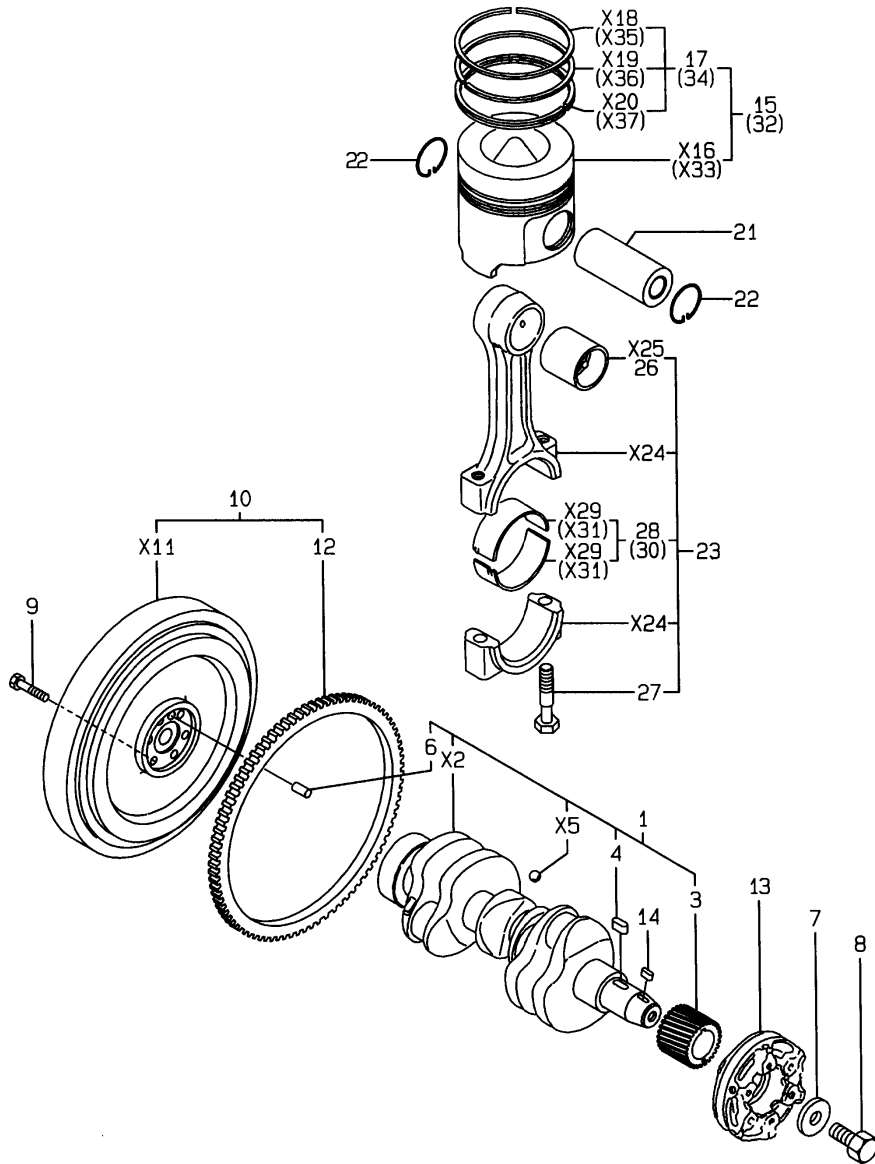
(D)=
 (E)=
 (F)=



No.	Lev.	Parts No.	Description	Q'ty						I	R
				(A)	(B)	(C)	(D)	(E)	(F)		
1	1	129472-13520	GASKET	1	1						
2	1	129579-13551	ELBOW	1	1						
3	1	26703-080002	NUT, M8	4	4						
4	1	26703-080002	NUT, M8	3	3						
5	1	128170-13600	STUD, M8X31	3	3						
6	1	129579-18010	TURBOCHARGER ASSY	1	1						
7	2	129403-18720	PROTECTOR, HEAT	1	1						
8	2	129579-18780	HOUSING ASSY	1	1						
9	2	129403-18800	HOUSING ASSY,BEARING	1	1						
12	2	129579-18820	PLATE ASSY, SEAL	1	1						
13	2	129579-18830	OVERHAUL KIT	1	1						1
14	2	129579-18850	ROTOR ASSY, TURBO	1	1						
15	2	129579-18860	HOUSING ASSY, TURBO	1	1						
15A	2	129403-18570	WHEEL	1	1						
16	1	129792-18091	GASKET	1	1						
17	1	128695-44090	COCK	1							
17-1	1	129670-49290	COCK ASSY, R1/8	1	1						N
(A=E10245)											
18	1	104407-44480	JOINT	1	1						
19	1	171007-49400	JOINT	1	1						

Remarks
 (1)Overhaul kit.

8. CRANKSHAFT & PISTON



(A)=3TNE84MT-K
(B)=3TNE84MT-EK
(C)=

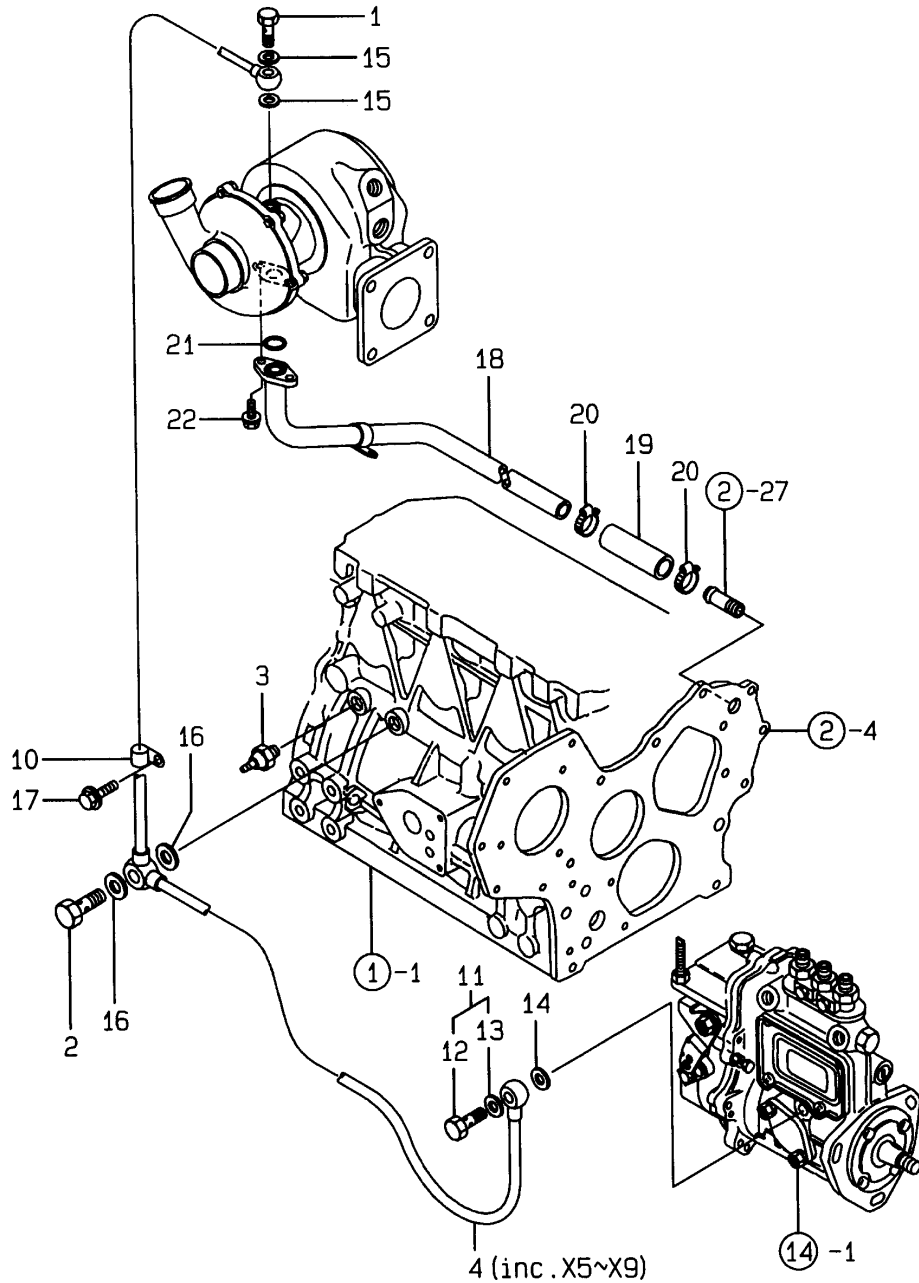
(D)=
(E)=
(F)=

No.	Lev.	Parts No.	Description	Q'ty						I	R
				(A)	(B)	(C)	(D)	(E)	(F)		
1	1	129001-21000	CRANKSHAFT ASSY	1	1						
3	2	129150-21200	GEAR, CRANKSHAFT	1	1						
4	2	22512-070140	KEY, 7X 14	1	1						
6	2	129100-01580	PIN, M8X16	1	1						
7	1	129795-21661	WASHER	1	1						
8	1	121850-21680	BOLT	1	1						
9	1	121111-21501	BOLT, FLYWHEEL	6	6						
10	1	129189-21570	FLYWHEEL ASSY	1	1						
12	2	124550-21600	GEAR, RING	1	1						
13	1	129175-21650	V-PULLEY	1	1						
14	1	22512-070160	KEY, 7X 16	1	1						
15	1	129002-22090	PISTON ASSY	3	3						
17	2	129002-22510	RING SET, PISTON	3	3						
21	1	129202-22300	PIN, PISTON D26 L70	3	3						
22	1	22252-000260	RING, 26	6	6						
23	1	729402-23100	ROD ASSY, CONNECTING	3	3						
26	2	129100-23910	BEARING, PISTON PIN	3	3						3
27	2	121550-23200	BOLT, CONNECTING ROD	6	6						
28	2	129150-23600	BEARING, CRANK PIN	3	3						
30	1	129150-23610	BEARING, 0.25 US	3	3						1
32	1	129002-22910	PISTON ASSY, 0.25 OS	3	3						2
34	2	129002-22960	RING SET, 0.25 OS	3	3						2

Remarks

- (1) UNDER-SIZED(U.S=0.25) PART.
- (2) OVER-SIZED(O.S=0.25) PART.
- (3) REPAIR PART.

10.LUB.OIL LINE

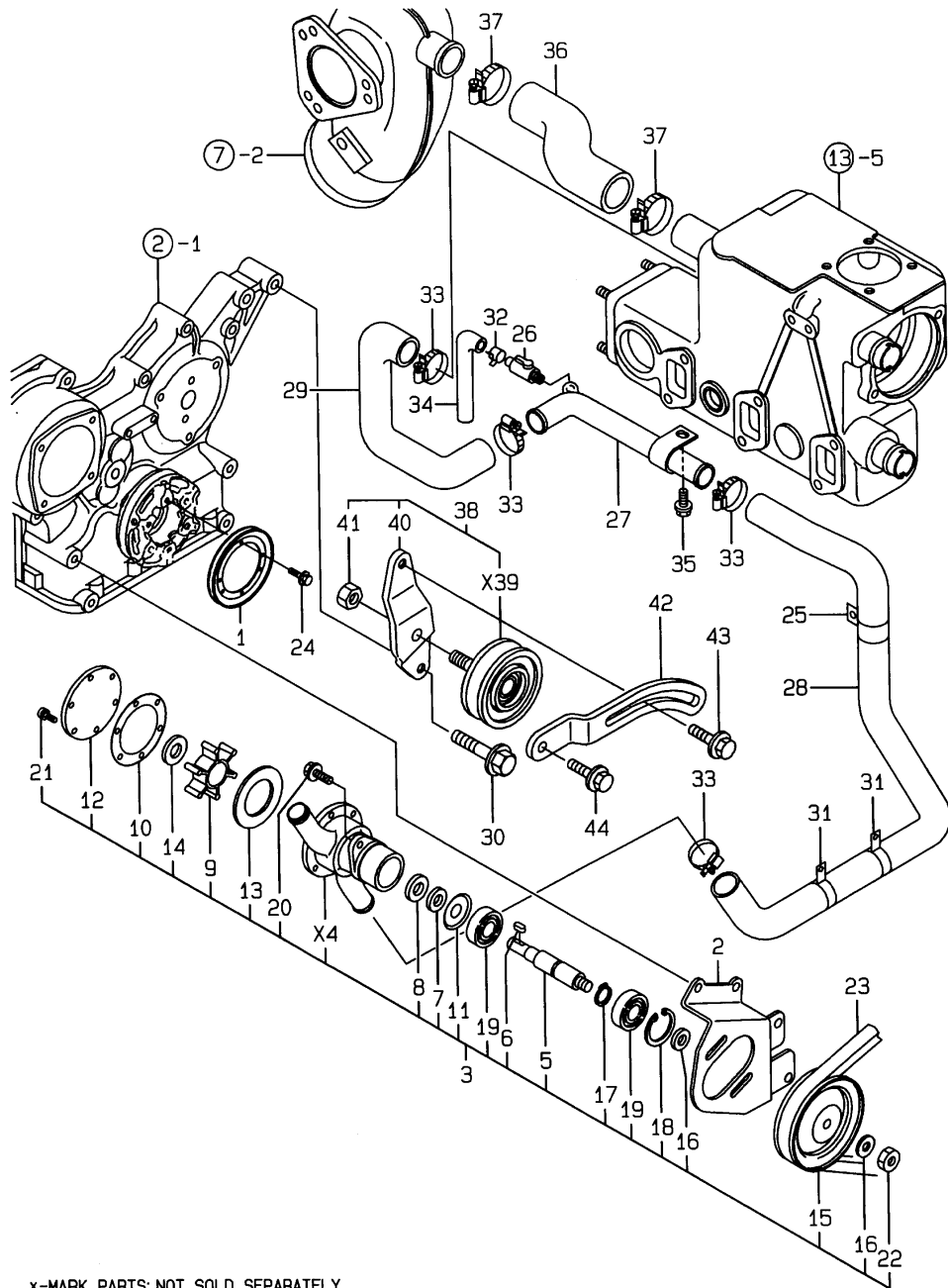


(A)=3TNE84MT-K
(B)=3TNE84MT-EK
(C)=

(D)=
(E)=
(F)=

No.	Lev.	Parts No.	Description	Q'ty						I	R
				(A)	(B)	(C)	(D)	(E)	(F)		
1	1	105010-39140	BOLT, PIPE JOINT	1	1						
2	1	124160-39140	BOLT, PIPE JOINT M10	1	1						
3	1	124160-39450	SWITCH, 0.5KG	1							
3-1	1	114250-39450 (A=E10245)	SWITCH, 0.5KG	1	1						N
4	1	129080-39450	PIPE ASSY, OIL	1	1						
10	1	124223-39900	RETAINER	1	1						
11	1	124550-59830	BOLT ASSY, JOINT M8	1	1						
12	2	124550-59820	BOLT, PIPE JOINT M8	1	1						
13	2	22190-080003	WASHER, SEAL 8	1							
13-1	2	22190-080002 (A=E10197)	WASHER, SEAL 6	1	1						N
14	1	22190-080003	WASHER, SEAL 8	1							
14-1	1	22190-080002 (A=E10197)	WASHER, SEAL 6	1	1						N
15	1	23414-080000	GASKET, 8X1.0	2	2						
16	1	23414-100000	GASKET, 10X1.0	2							
16-1	1	22190-100002 (A=E10197)	WASHER, SEAL 10	2	2						N
17	1	26106-080102	BOLT, M8X 10 PLATED	1	1						
18	1	129176-39610	PIPE, OIL	1	1						
19	1	129403-39610	JOINT, RUBBER	1	1						
20	1	23000-022000	CLAMP, 22	2	2						
21	1	24314-000160	O-RING, 4CP16.0	1	1						
22	1	26106-060162	BOLT, M6X 16 PLATED	2	2						

11. COOLING SEA WATER SYSTEM



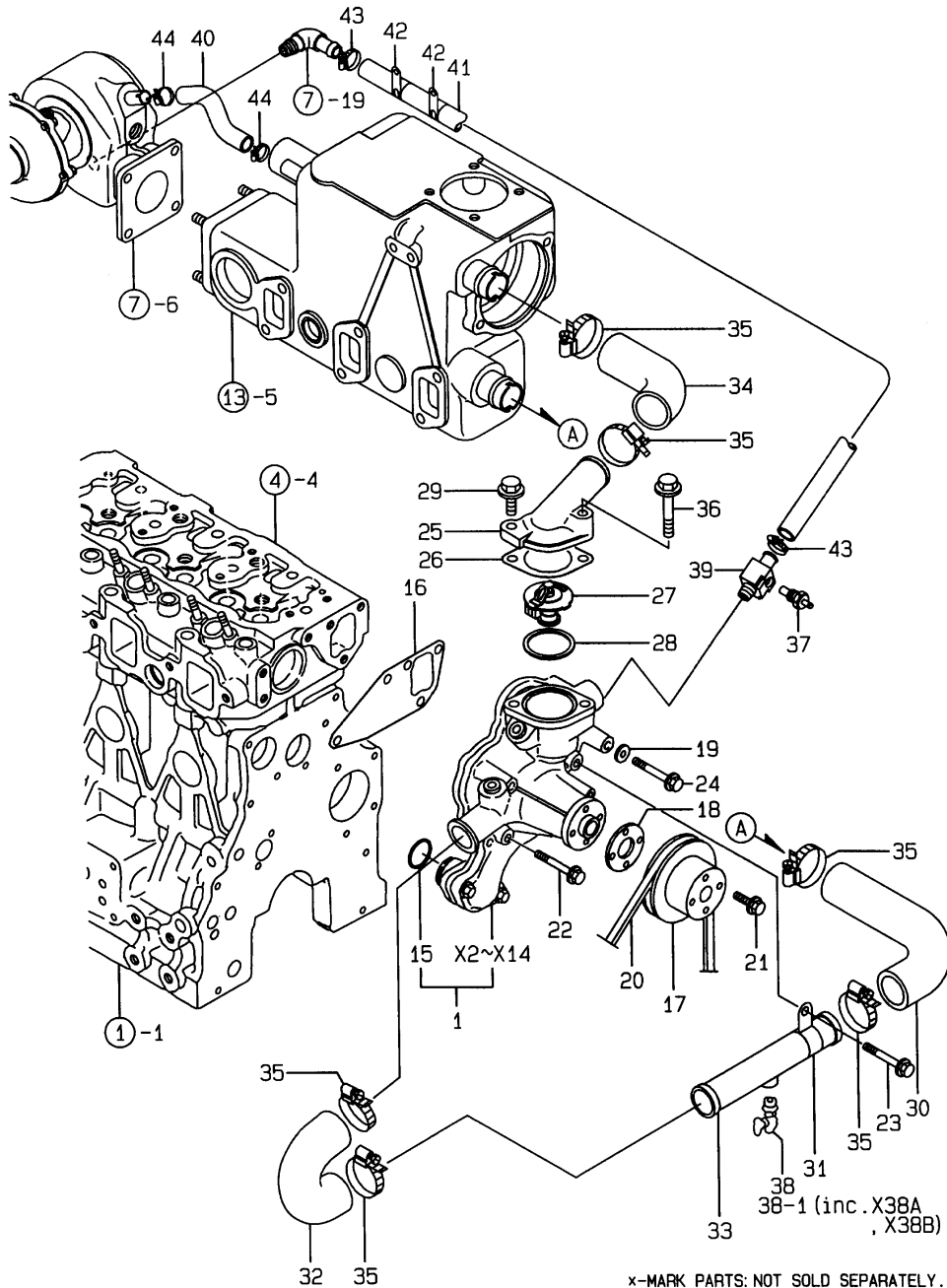
(A)=3TNE84MT-K
(B)=3TNE84MT-EK
(C)=

(D)=
(E)=
(F)=

No.	Lev.	Parts No.	Description	Q'ty						I	R
				(A)	(B)	(C)	(D)	(E)	(F)		
1	1	104407-21600	V-PULLEY	1	1						
2	1	129579-42150	BRACKET, PUMP	1	1						
3	1	129579-42500	PUMP ASSY, WATER	1	1						
5	2	121575-42020	SHAFT	1	1						
6	2	124223-42040	KEY	1	1						
7	2	124223-42070	PIECE	1	1						
8	2	124223-42080	SEAL, TC13X28X7	1	1						
9	2	124223-42091	IMPELLER	1	1						
10	2	124223-42110	GASKET, WATER PUMP	1	1						
11	2	121575-42120	COVER, BEARING	1	1						
12	2	121575-42150	COVER	1	1						
13	2	129579-42160	PLATE	1	1						
14	2	129579-42190	COVER	1	1						
15	2	124070-42400	V-PULLEY	1	1						
16	2	124070-42420	WASHER	2	2						
17	2	22242-000150	RING, 15	1	1						
18	2	22252-000350	RING, 35	1	1						
19	2	24107-062024	BEARING, BALL 6202ZZ	2	2						
20	2	26014-080162	BOLT, M8X 16	2	2						
21	2	26113-040088	BOLT, M4X 8	6	6						
22	2	26347-080002	NUT, M8	1	1						
23	1	104214-42780	V-BELT, HM30	1	1						
24	1	26106-060082	BOLT, M6X 8 PLATED	4	4						
25	1	127610-03270	RETAINER	1	1						
26	1	128695-44090	COCK	1	1						
27	1	129080-49010	PIPE, WATER	1	1						
28	1	171487-49010	PIPE, WATER	1	1						
29	1	129475-49020	PIPE, WATER	1	1						
30	1	26106-100352	BOLT, M10X 35 PLATED	1	1						
31	1	129579-49460	RETAINER, D32	2	2						
32	1	124460-77680	RETAINER	1	1						
33	1	23000-035000	CLAMP, 35	4	4						
34	1	23061-070300	PIPE, 7X 300	1	1						
35	1	26106-080162	BOLT, M8X 16 PLATED	1	1						
36	1	129472-49040	PIPE, WATER	1	1						
37	1	23000-035000	CLAMP, 35	2	2						
38	1	171375-44300	PULLEY ASSY, TENSION	1	1						
40	2	171375-44320	BRACKET, PULLEY	1	1						
41	2	26706-100002	NUT, M10	1	1						
42	1	129410-77330	ADJUSTER	1	1						
43	1	26014-080252	BOLT, M8X 25	1	1						
44	1	26106-080182	BOLT, M8X 18 PLATED	1	1						

x-MARK PARTS: NOT SOLD SEPARATELY.

12. COOLING FRESH WATER SYSTEM



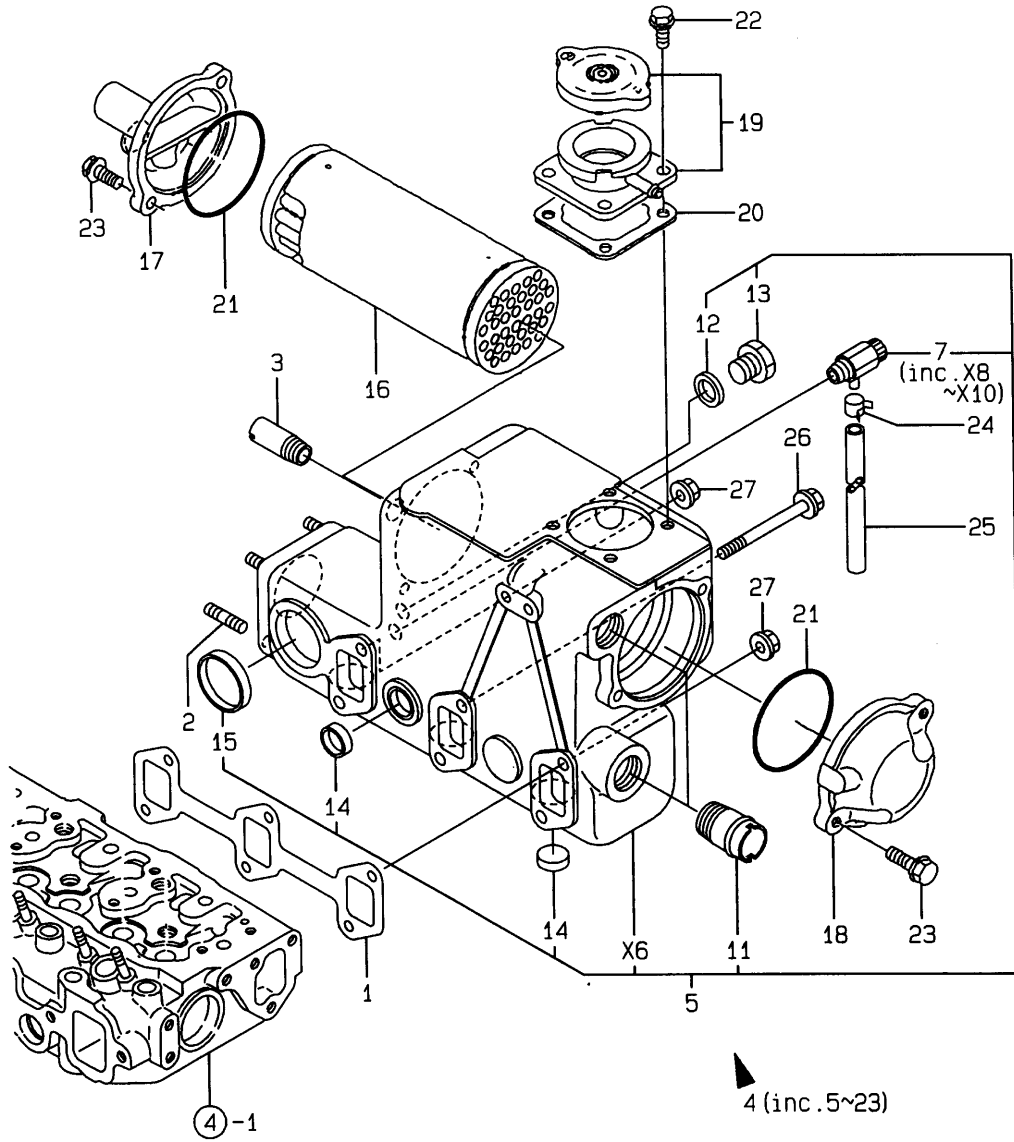
x-MARK PARTS: NOT SOLD SEPARATELY.

(A)=3TNE84MT-K
(B)=3TNE84MT-EK
(C)=

(D)=
(E)=
(F)=

No.	Lev.	Parts No.	Description	Qty						I	R
				(A)	(B)	(C)	(D)	(E)	(F)		
1	1	129470-42001	PUMP ASSY, WATER	1	1						
15	2	129150-42320	O-RING	1	1						
16	1	129150-42020	GASKET, WATER PUMP	1							
16-1	1	129486-42050 (A=E10245)	GASKET, WATER PUMP	1	1						N
17	1	129550-42350	V-PULLEY, D=120	1	1						
18	1	129156-44760	WASHER	1	1						
19	1	22217-080000	WASHER, SPRING 8	1	1						
20	1	25132-004400	V-BELT, A44	1	1						
21	1	26106-060102	BOLT, M6X 10 PLATED	4	4						
22	1	26106-080552	BOLT, M8X 55 PLATED	2	2						
23	1	26106-080552	BOLT, M8X 55 PLATED	1	1						
24	1	26106-080652	BOLT, M8X 65 PLATED	1	1						
25	1	129470-49540	COVER, THERMOSTAT	1	1						
26	1	129795-49551	GASKET	1	1						
27	1	129470-49801	THERMOSTAT, 76.5	1	1						
28	1	129470-49810	GASKET, THERMOSTAT	1	1						
29	1	26106-080252	BOLT, M8X 25 PLATED	1	1						
30	1	129470-49200	JOINT, RUBBER	1	1						
31	1	129470-49220	RETAINER	1	1						
32	1	129470-49240	JOINT, RUBBER 28	1	1						
33	1	129470-49250	PIPE, WATER	1	1						
34	1	129170-49260	JOINT	1	1						
35	1	23000-041000	CLAMP, 41	6	6						
36	1	26106-080352	BOLT, M8X 35 PLATED	1	1						
37	1	127610-91350	SWITCH, 95	1	1						
38	1	128695-44090	COCK	1							
38-1	1	129670-49290 (A=E10245)	COCK ASSY, R1/8	1	1						N
39	1	129473-49310	JOINT, PT3/8-8	1	1						
40	1	129579-49320	HOSE, RUBBER	1	1						
41	1	129171-49560	HOSE, WATER	1	1						
42	1	194440-51620	CLAMP	2	2						
43	1	23000-013000	CLAMP, 13	2	2						
44	1	23000-025000	CLAMP, 25	2	2						

13. COOLING FRESH WATER COOLER

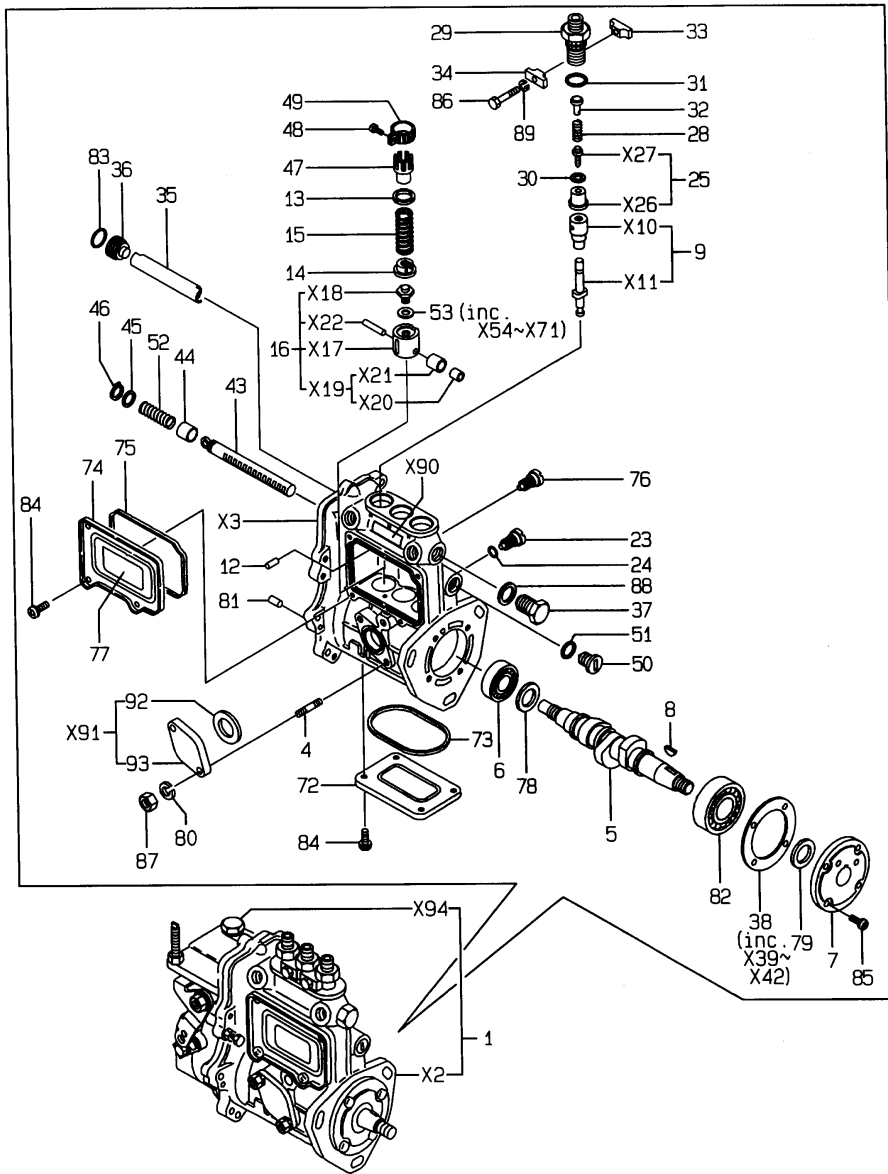


(A)=3TNE84MT-K
(B)=3TNE84MT-EK
(C)=

(D)=
(E)=
(F)=

No.	Lev.	Parts No.	Description	Q'ty						I	R
				(A)	(B)	(C)	(D)	(E)	(F)		
1	1	129150-13110	GASKET	1	1						
2	1	128170-13600	STUD, M8X31	4	4						
3	1	104407-44480	JOINT	1	1						
4	1	129176-44900	COOLER ASSY, WATER	1	1						
5	2	129176-44000	COOLER ASSY, WATER	1	1						
7	3	120130-49350	COCK, 1/4	1							
7-1	3	119620-49290	COCK ASSY, 1/4	1	1						N
		(A=E10245)									
11	3	124160-49480	JOINT, PIPE	2	2						
12	3	23414-170000	GASKET, 17X1.0	1	1						
13	3	23894-030002	PLUG, G3/8	1	1						
14	3	27241-280000	PLUG, 28	7	7						
15	3	27241-400000	PLUG, 40	1	1						
16	2	129170-44110	CORE ASSY, COOLER	1	1						
17	2	129470-44440	COVER, A	1	1						
18	2	129470-44450	COVER, B	1	1						
19	2	129171-44600	FILLER ASSY	1	1						
20	2	120445-44640	GASKET	1	1						
21	2	24321-000750	O-RING, 1AG75.0	2	2						
22	2	26106-080162	BOLT, M8X 16 PLATED	4	4						
23	2	26106-080252	BOLT, M8X 25 PLATED	4	4						
24	1	124460-77680	RETAINER	1	1						
25	1	23061-070300	PIPE, 7X 300	1	1						
26	1	26106-081002	BOLT, M8X100 PLATED	4	4						
27	1	26366-080002	NUT, M8	2	2						

14.FUEL INJECTION PUMP


 (A)=3TNE84MT-K
 (B)=3TNE84MT-EK
 (C)=

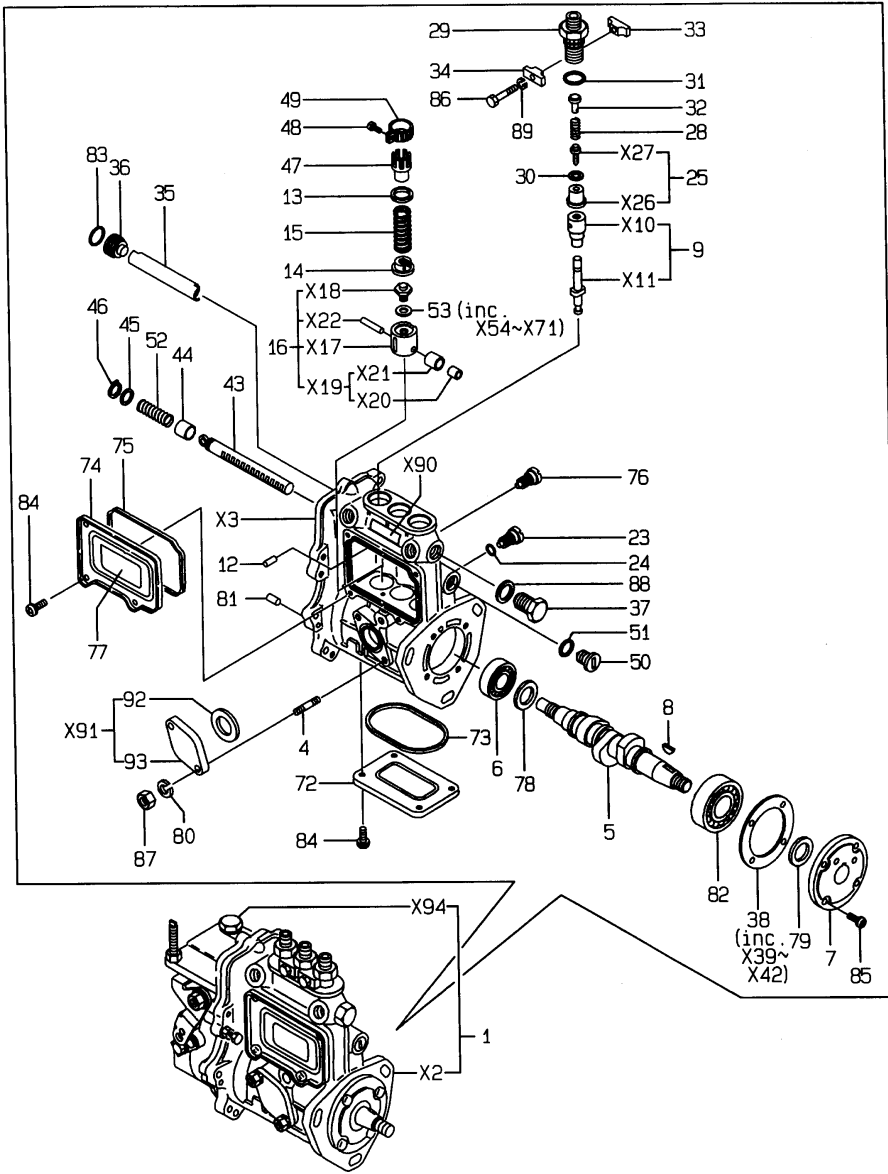
 (D)=
 (E)=
 (F)=

No.	Lev.	Parts No.	Description	Qty						I	R
				(A)	(B)	(C)	(D)	(E)	(F)		
1	1	729080-51310	PUMP ASSY, INJECTION	1							1
4	3	129155-51020	STUD	2							
5	3	119810-51040	CAMSHAFT	1							
6	3	129155-51050	BEARING, 17BM001D	1							
7	3	129155-51060	SUPPORT, CAMSHAFT	1							
8	3	122710-51090	KEY	1							
9	3	129470-51101	PLUNGER ASSY	3							
12	3	129155-51140	PIN	3							
13	3	174307-51170	RETAINER, SPRING A	3							
14	3	129155-51180	RETAINER, SPRING	3							
15	3	124950-51190	SPRING, PLUNGER	3							
16	3	129155-51200	TAPPET ASSY	3							
23	3	129155-51270	STOPPER, TAPPET	3							
24	3	129155-51280	O-RING, S6	3							
25	3	129100-51300	VALVE ASSY, DELIVERY	3							
28	3	129155-51320	SPRING, DELIVERY	3							
29	3	129155-51340	RETAINER	3							
30	3	124550-51350	GASKET, DELIVERY	3							
31	3	124550-51370	O-RING	3							
32	3	129155-51370	STOPPER, VALVE	3							
33	3	129155-51380	STOPPER	2							
34	3	129155-51390	STOPPER	2							
35	3	129155-51400	DEFLECTOR	1							
36	3	129155-51410	BOLT	1							
37	3	129155-51420	PLUG, M16	1							
38	3	129155-51450	SHIM SET, ADJUSTING	1							
43	3	129155-51500	RACK, CONTROL	1							
44	3	129155-51521	BUSH, RACK	1							
45	3	129155-51530	SPACER	1							
46	3	129155-51540	CIRCLIP	1							
47	3	129155-51550	PINION, CONTROL	3							
48	3	122117-51560	SCREW	3							
49	3	174307-51560	PINION	3							
50	3	129155-51570	PLUG, M12	1							
51	3	129155-51580	O-RING	1							
52	3	129155-51591	SPRING, RACK	1							
53	3	129155-51600	SHIM SET, ADJUSTING	3							
72	3	129155-51700	COVER	1							
72-1	3	129155-51701	COVER	1							N
(A=E10245)											
73	3	129155-51710	GASKET	1							
74	3	129155-51750	COVER	1							
74-1	3	129155-51751	COVER	1							N
(A=E10245)											
75	3	129155-51760	GASKET	1							
76	3	129155-51790	STOOPER, RACK	1							
77	3	129156-51910	LABEL, CAUTION	1							
78	3	129155-51930	SPACER, T=3.25	1							
79	3	129155-51940	SPACER, T=1.5	1							
80	3	22217-060000	WASHER, SPRING 6	2							
81	3	22351-050010	PIN, SPRING 5.0X10	2							

Remarks

(1) Governor assy (Fig.21) is incorporated in this FOP.cmp (Ref.No.1).

14.FUEL INJECTION PUMP



(A)=3TNE84MT-K
(B)=3TNE84MT-EK
(C)=

(D)=
(E)=
(F)=

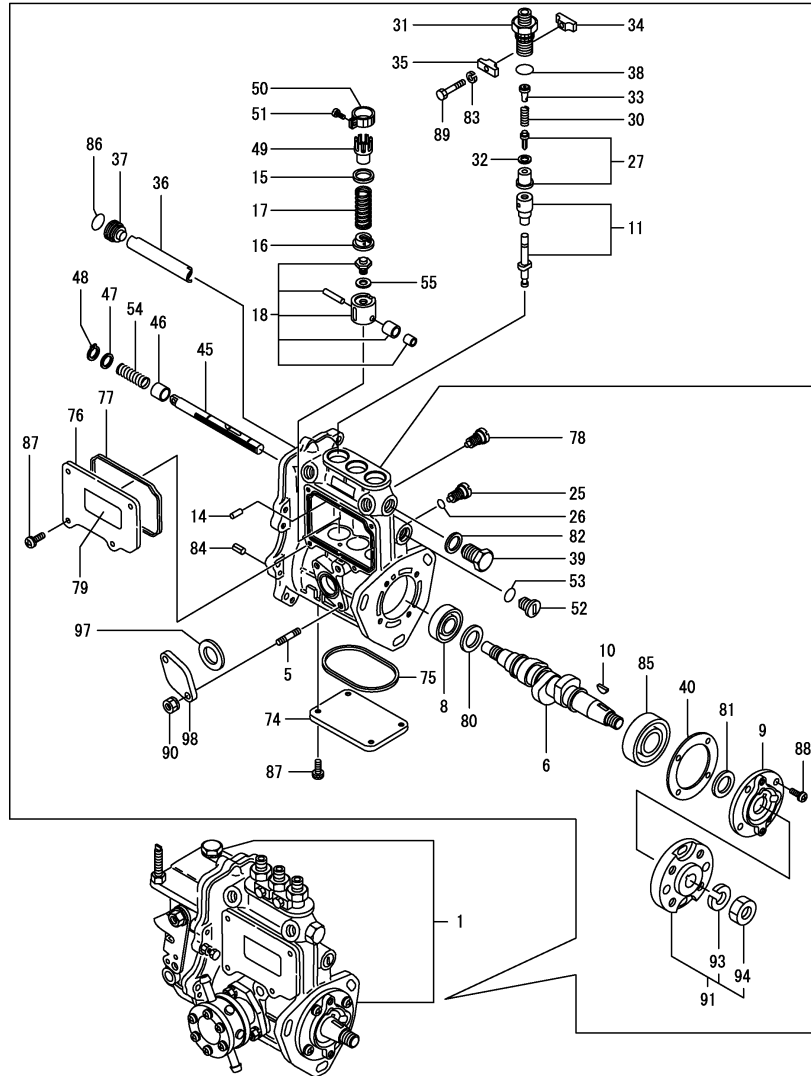
No.	Lev.	Parts No.	Description	Q'ty						I	R
				(A)	(B)	(C)	(D)	(E)	(F)		
82	3	24101-063034	BEARING, BALL 6303	1							
83	3	24341-000160	O-RING, 1AS16.0	1							
84	3	26022-050102	SCREW, M5X10	8							
84-1	3	26022-050122 (A=E10245)	SCREW, M5X12	8							N
85	3	26022-060162	SCREW, M6X16	4							
86	3	26116-050302	BOLT, M5X 30 PLATED	2							
87	3	26716-060002	NUT, M6	2							
88	3	22190-160002	WASHER, SEAL 16	1							
89	3	22217-050000	WASHER, SPRING 5	2							
92	3	129155-52050	GASKET	1							
93	3	129100-52200	COVER	1							

Remarks

(1) Governor assy (Fig.21) is incorporated in this FOP.cmp (Ref.No.1).

(A)=
(B)=3TNE84MT-EK
(C)=

(D)=
(E)=
(F)=



No.	Lev.	Parts No.	Description	Q'ty						I	R
				(A)	(B)	(C)	(D)	(E)	(F)		
1	1	729080-51470	PUMP ASSY, INJECTION	1							1
5	3	129155-51020	STUD		2						
6	3	119810-51040	CAMSHAFT		1						
8	3	129155-51051	BEARING		1						
9	3	129208-51060	SUPPORT		1						
10	3	122710-51090	KEY		1						
11	3	129470-51101	PLUNGER ASSY		3						
14	3	129155-51140	PIN		3						
15	3	158600-51170	RETAINER, SPRING		3						
16	3	129155-51180	RETAINER, SPRING		3						
17	3	124950-51190	SPRING, PLUNGER		3						
18	3	129155-51200	TAPPET ASSY		3						
25	3	158600-51270	STOPPER, TAPPET		3						
26	3	129155-51280	O-RING, S6		3						
27	3	129100-51300	VALVE ASSY, DELIVERY		3						
30	3	129155-51320	SPRING, DELIVERY		3						
31	3	129155-51340	RETAINER		3						
32	3	124550-51350	GASKET, DELIVERY		3						
33	3	129155-51370	STOPPER, VALVE		3						
34	3	129155-51380	STOPPER		2						
35	3	129155-51390	STOPPER		2						
36	3	129155-51400	DEFLECTOR		1						
37	3	158600-51410	PLUG, DEFLECTOR		1						
38	3	119717-51420	O-RING		1						
39	3	158600-51420	PLUG, DEFLECTOR		1						
40	3	129155-51450	SHIM SET, ADJUSTING		1						
45	3	119717-51500	RACK, CONTROL		1						
46	3	119025-51520	BUSH, RACK		1						
47	3	129155-51530	SPACER		1						
48	3	129155-51540	CIRCLIP		1						
49	3	129155-51550	PINION, CONTROL		3						
50	3	129100-51560	PINION		3						
51	3	129100-51570	SCREW		3						
52	3	158600-51570	PLUG		1						
53	3	129155-51580	O-RING		1						
54	3	129155-51591	SPRING, RACK		1						
55	3	129155-51600	SHIM SET, ADJUSTING		3						
74	3	129155-51701	COVER		1						
75	3	129155-51711	GASKET		1						
76	3	129155-51751	COVER		1						
77	3	129155-51761	GASKET		1						
78	3	158600-51790	STOOPER, RACK		1						
79	3	129156-51910	LABEL, CAUTION		1						
80	3	129155-51930	SPACER, T=3.25		1						
81	3	129155-51940	SPACER, T=1.5		1						
82	3	22190-160002	WASHER, SEAL 16		1						
83	3	22217-050000	WASHER, SPRING 5		2						
84	3	22351-050010	PIN, SPRING 5.0X10		2						
85	3	24101-063034	BEARING, BALL 6303		1						
86	3	24316-000150	O-RING, 4DP15.0		3						
87	3	26022-050122	SCREW, M5X12		8						

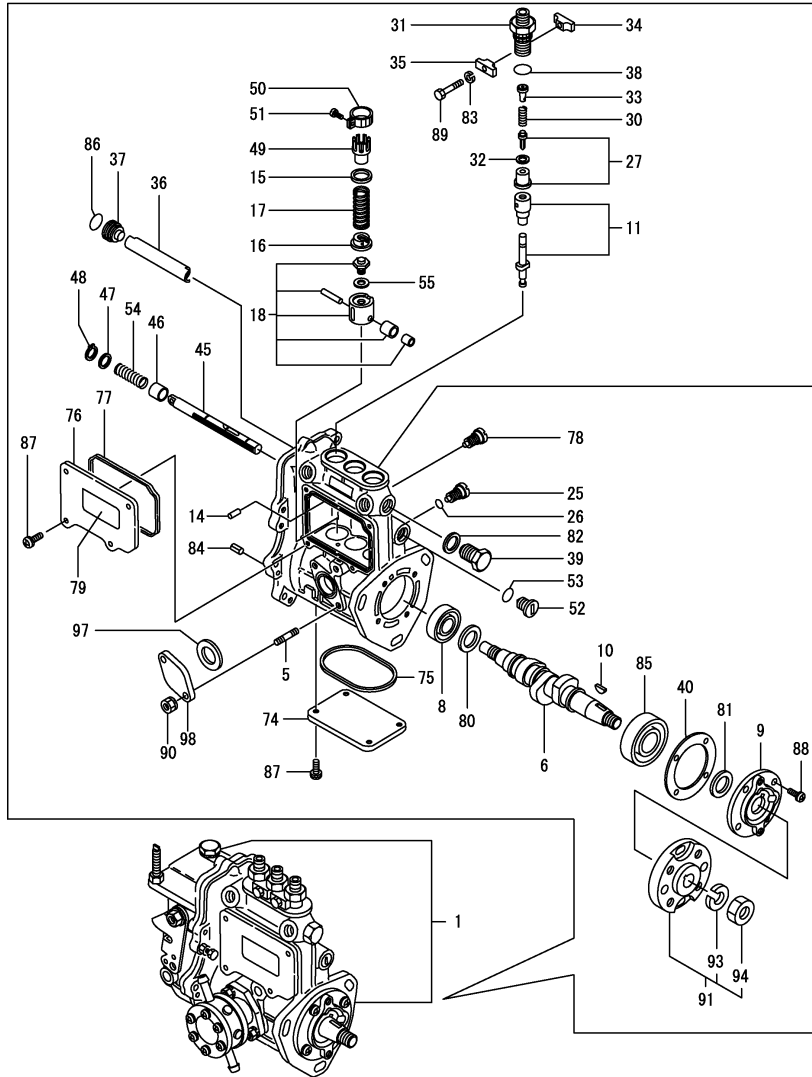
Remarks

(1) Governor assy (Fig.21) is incorporated in this FOP.cmp (Ref.No.1).

*This item is applicable to [(B)=E10428] or following machines. Refer to Fig.14.

(A)=
(B)=3TNE84MT-EK
(C)=

(D)=
(E)=
(F)=



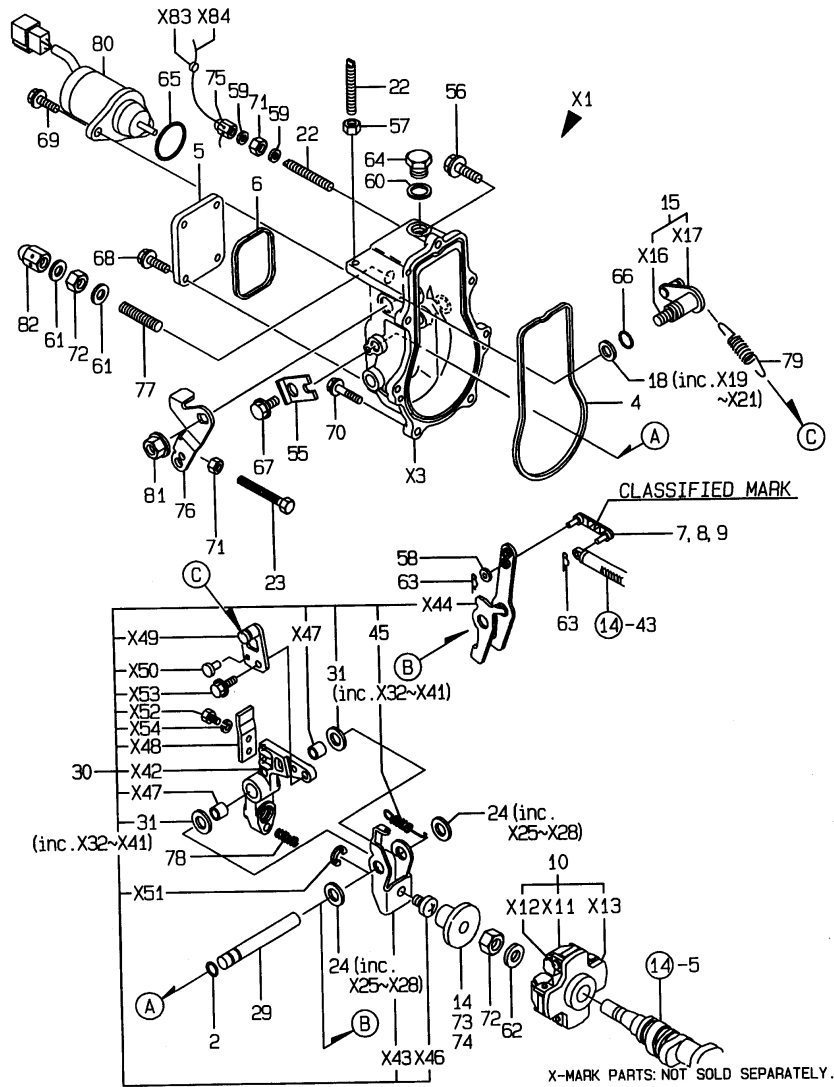
No.	Lev.	Parts No.	Description	Q'ty						I	R
				(A)	(B)	(C)	(D)	(E)	(F)		
88	3	26022-060162	SCREW, M6X16		4						
89	3	26116-050302	BOLT, M5X 30 PLATED		2						
90	3	119717-51860	NUT, M6		2						
91	3	129208-54500	FLANGE ASSY		1						
93	4	22217-120000	WASHER, SPRING 12		1						
94	4	26716-120002	NUT, M12		1						
97	3	129155-52051	GASKET		1						
98	3	129100-52200	COVER		1						

Remarks

(1) Governor assy (Fig.21) is incorporated in this FOP.cmp (Ref.No.1).

*This item is applicable to [(B)=E10428] or following machines. Refer to Fig.14.

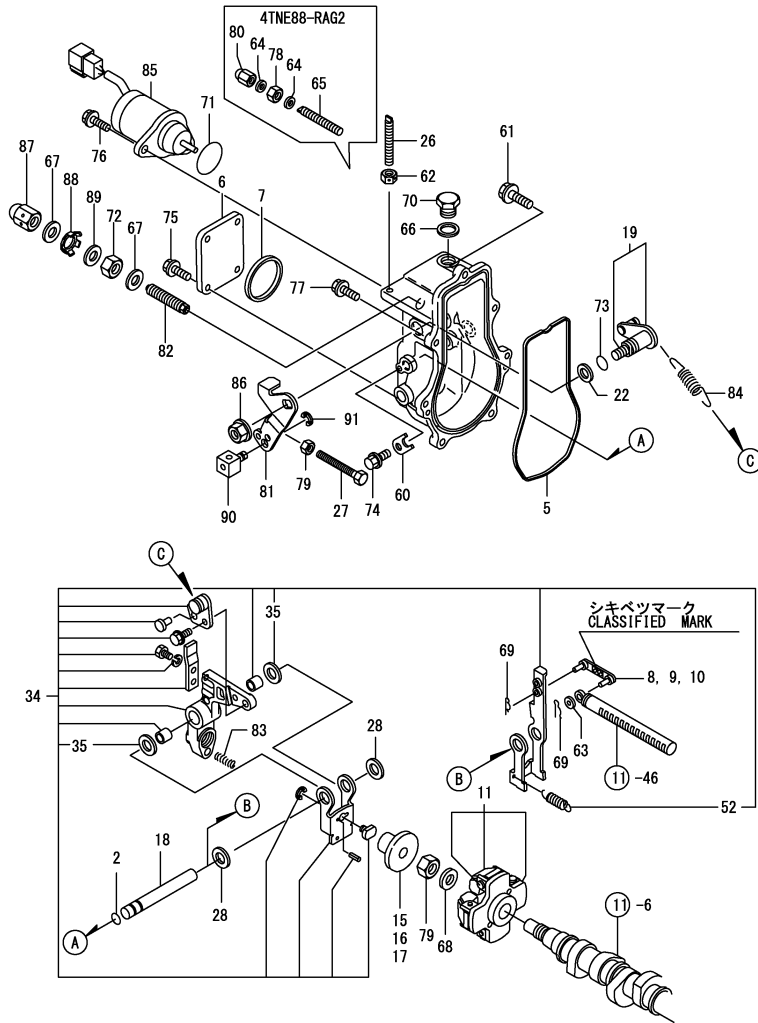
15. GOVERNOR



Remarks
 (1) Selective parts, certain the classification mark, then place your order. (Ref. to illustration)
 (2) Selective parts.
 * This figure (Governor assy) is incorporated in the fuel injection pump assy (Fig. 14).

No.	Lev.	Parts No.	Description	Q'ty						I	R
				(A)	(B)	(C)	(D)	(E)	(F)		
2	3	129155-51280	O-RING, S6	1							
4	3	129052-61050	GASKET	1							
5	3	129052-61060	COVER, GOVERNOR CASE	1							
6	3	129052-61070	GASKET	1							
7	3	129155-61120	LINK, L=30 MARK 0	1							1
8	3	129155-61130	LINK, L=31 MARK 1	1							1
9	3	129155-61140	LINK, L=30.5 MARK 05	1							1
10	3	171488-61200	WEIGHT ASSY, GOVERNOR	1							
14	3	129155-61341	SLEEVE	1							2
15	3	129100-61400	SHAFT ASSY	1							
18	3	129155-61430	SPACER	1							
22	3	129155-61450	BOLT, LIMITER	2							
23	3	129155-61460	BOLT, IDLE	1							
24	3	129155-61480	SPACER ASSY	2							
29	3	129052-61390	SHAFT	1							
30	3	129412-61500	LEVER ASSY, GOVERNOR	1							
31	4	174307-51700	SHIM SET	2							
45	4	119843-61540	SPRING, SET	1							
55	3	119660-61901	RETAINER, SHAFT	1							
56	3	129155-61950	BOLT	1							
57	3	124550-66370	NUT, M6	1							
58	3	22117-040000	WASHER, 4	1							
59	3	22190-060003	SEAL WASER 6	2							
60	3	22190-100002	WASHER, SEAL 10	1							
61	3	22190-120002	WASHER, SEAL 12	2							
62	3	22287-120000	WASHER, 12	1							
63	3	22372-040000	PIN, SNAP 4	2							
64	3	23887-100002	PLUG, 10	1							
65	3	24341-000280	O-RING, 1AS28.0	1							
65-1	3	158552-61900	O-RING	1							N
				(A=EXXXXX)	(B=EXXXXX)						
66	3	129155-61830	O-RING, S10	1							
67	3	26106-060102	BOLT, M6X 10 PLATED	1							
68	3	26106-060102	BOLT, M6X 10 PLATED	4							
69	3	26106-060142	BOLT, M6X 14 PLATED	2							
70	3	26106-060202	BOLT, M6X 20 PLATED	6							
71	3	26756-060002	NUT, LOCK M6	2							
72	3	26776-120002	NUT, LOCK M12	2							
73	3	129155-61350	SLEEVE, L=24.9	1							2
74	3	129155-61360	SLEEVE, L=25.2	1							2
75	3	119600-66840	NUT, CAP	1							
76	2	171488-61440	LEVER, CONTROL	1							
77	2	129155-61470	BOLT, CONTROL	1							
78	2	129500-61650	SPRING, FUEL CONTROL	1							
79	2	129477-61720	SPRING, GOVERNOR	1							
80	2	119653-77950	SOLENOID, STOP	1							
81	2	26366-080002	NUT, M8	1							
82	2	129100-61930	NUT, CAP	1							

(A)=
 (B)=3TNE84MT-EK
 (C)=

 (D)=
 (E)=
 (F)=


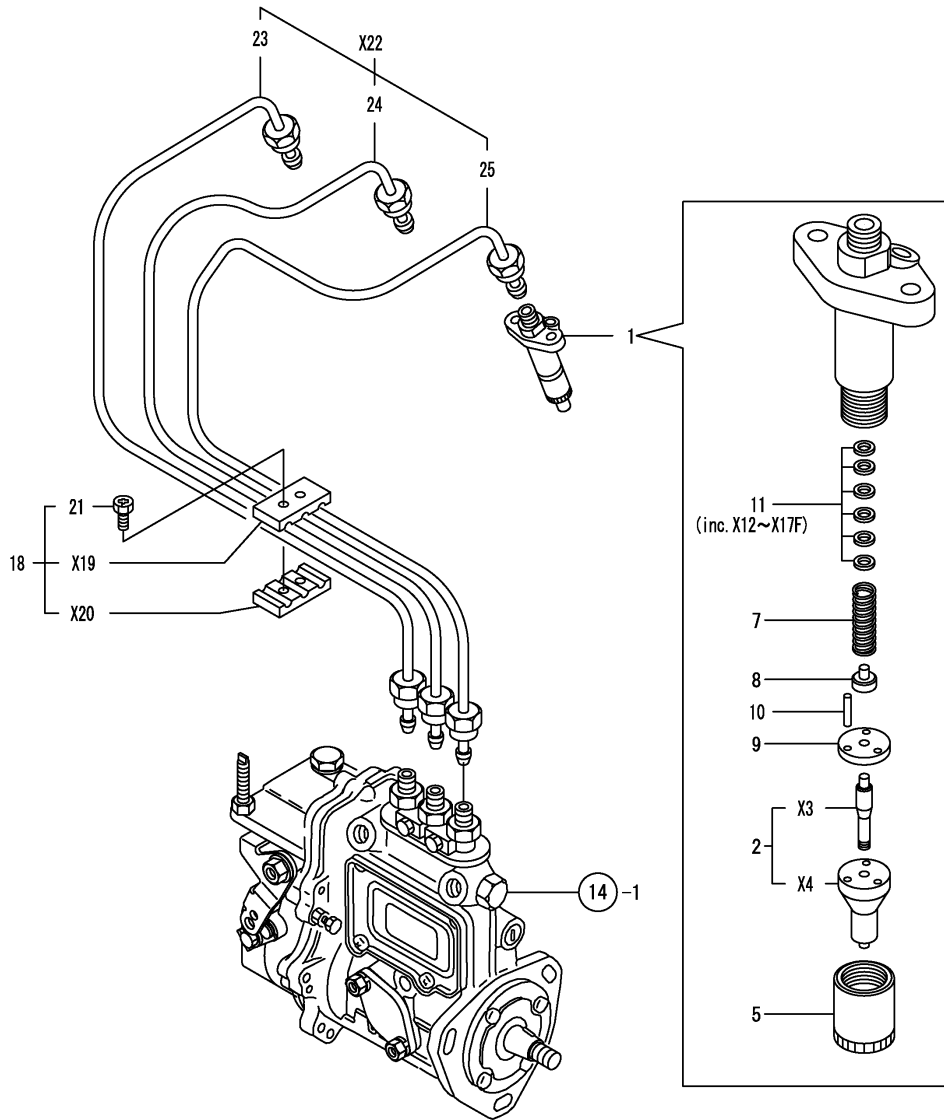
No.	Lev.	Parts No.	Description	Q'ty						I	R
				(A)	(B)	(C)	(D)	(E)	(F)		
2	3	129155-51280	O-RING, S6		1						
5	3	129052-61051	GASKET		1						
6	3	129052-61060	COVER, GOVERNOR CASE		1						
7	3	129052-61071	GASKET		1						
8	3	129155-61120	LINK, L=30 MARK 0		1						1
9	3	129155-61130	LINK, L=31 MARK 1		1						2
10	3	129155-61140	LINK, L=30.5 MARK 05		1						3
11	3	129618-61201	WEIGHT ASSY		1						
15	3	129155-61341	SLEEVE		1						4
16	3	129155-61350	SLEEVE, L=24.9		1						5
17	3	129155-61360	SLEEVE, L=25.2		1						6
18	3	129052-61390	SHAFT		1						
19	3	129100-61400	SHAFT ASSY		1						
22	3	129155-61430	SPACER		1						
26	3	129155-61450	BOLT, LIMITER		2						
27	3	129155-61460	BOLT, IDLE		1						
28	3	129155-61480	SPACER ASSY		2						
34	3	129486-61501	LEVER ASSY, GOVERNOR		1						
35	4	174307-51700	SHIM SET		2						
52	4	129486-61540	SPRING, SET		1						
60	3	119660-61901	RETAINER, SHAFT		1						
61	3	129155-61950	BOLT		1						
62	3	124550-66370	NUT, M6		1						
63	3	22117-040000	WASHER, 4		1						
64	3	22190-060003	SEAL WASER 6		2						
65	3	129155-61450	BOLT, LIMITER		1						
66	3	22190-100002	WASHER, SEAL 10		1						
67	3	22190-120002	WASHER, SEAL 12		2						
68	3	22287-120000	WASHER, 12		1						
69	3	22372-040000	PIN, SNAP 4		2						
70	3	23887-100002	PLUG, 10		1						
71	3	158552-61900	O-RING		1						
72	3	129209-61920	NUT, ARB		1						
73	3	129155-61830	O-RING, S10		1						
74	3	26106-060102	BOLT, M6X 10 PLATED		1						
75	3	26106-060102	BOLT, M6X 10 PLATED		4						
76	3	26106-060142	BOLT, M6X 14 PLATED		2						
77	3	26106-060202	BOLT, M6X 20 PLATED		6						
78	3	26756-060002	NUT, LOCK M6		2						
79	3	26776-120002	NUT, LOCK M12		1						
80	3	119600-66840	NUT, CAP		1						
81	2	171488-61440	LEVER, CONTROL		1						
82	2	120323-61470	BOLT, CONTROL		1						
83	2	129500-61650	SPRING, FUEL CONTROL		1						
84	2	129477-61720	SPRING, GOVERNOR		1						
85	2	119653-77950	SOLENOID, STOP		1						
86	2	26366-080002	NUT, M8		1						
87	2	129209-61930	NUT, CAP		1						
88	2	129209-61970	PLATE		1						
89	2	23414-120016	GASKET, 12X1.0		1						

Remarks

- (1) Selective parts, mark; 0
- (2) Selective parts, mark; 1
- (3) Selective parts, mark; 05
- (4) Selective parts, Length=25.5mm
- (5) Selective parts, Length=24.9mm
- (6) Selective parts, Length=25.2mm
- *This item is applicable to [(B)=E10428] or following machines. Refer to Fig.15.

(A)=3TNE84MT-K
 (B)=3TNE84MT-EK
 (C)=

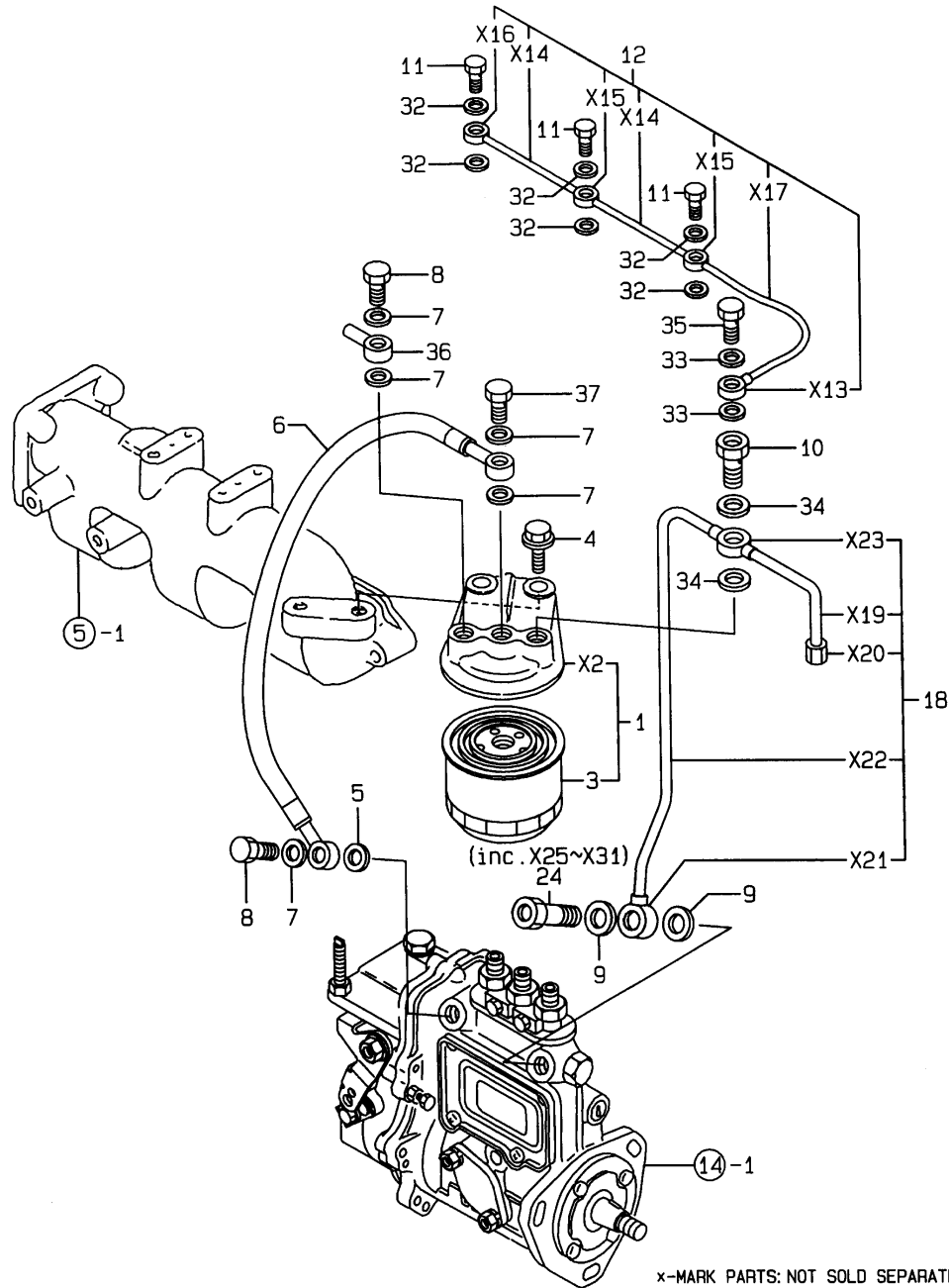
(D)=
 (E)=
 (F)=



No.	Lev.	Parts No.	Description	Q'ty						I	R
				(A)	(B)	(C)	(D)	(E)	(F)		
1	1	729412-53300	VALVE ASSY,INJECTION	3	3						
2	2	129503-53000	VALVE ASSY,INJECTION	3	3						
5	2	114250-53080	NUT, NOZZLE D16.95	3	3						
7	2	114250-53120	SPRING, NOZZLE	3	3						
8	2	114250-53130	SEAT, SPRING	3	3						
9	2	114250-53140	PLATE	3	3						
10	2	114250-53210	PIN	6	6						
11	2	114250-53400	SHIM SET	3	3						
18	1	129150-59120	RETAINER, PIPE	1	1						
21	2	129150-59131	BOLT, M4X14	2	2						
23	2	129100-59912	PIPE ASSY, INJECTION	1	1						
24	2	129100-59922	PIPE ASSY, INJECTION	1	1						
25	2	129100-59932	PIPE ASSY, INJECTION	1	1						

x-MARK PARTS: NOT SOLD SEPARATELY.

17. FUEL LINE



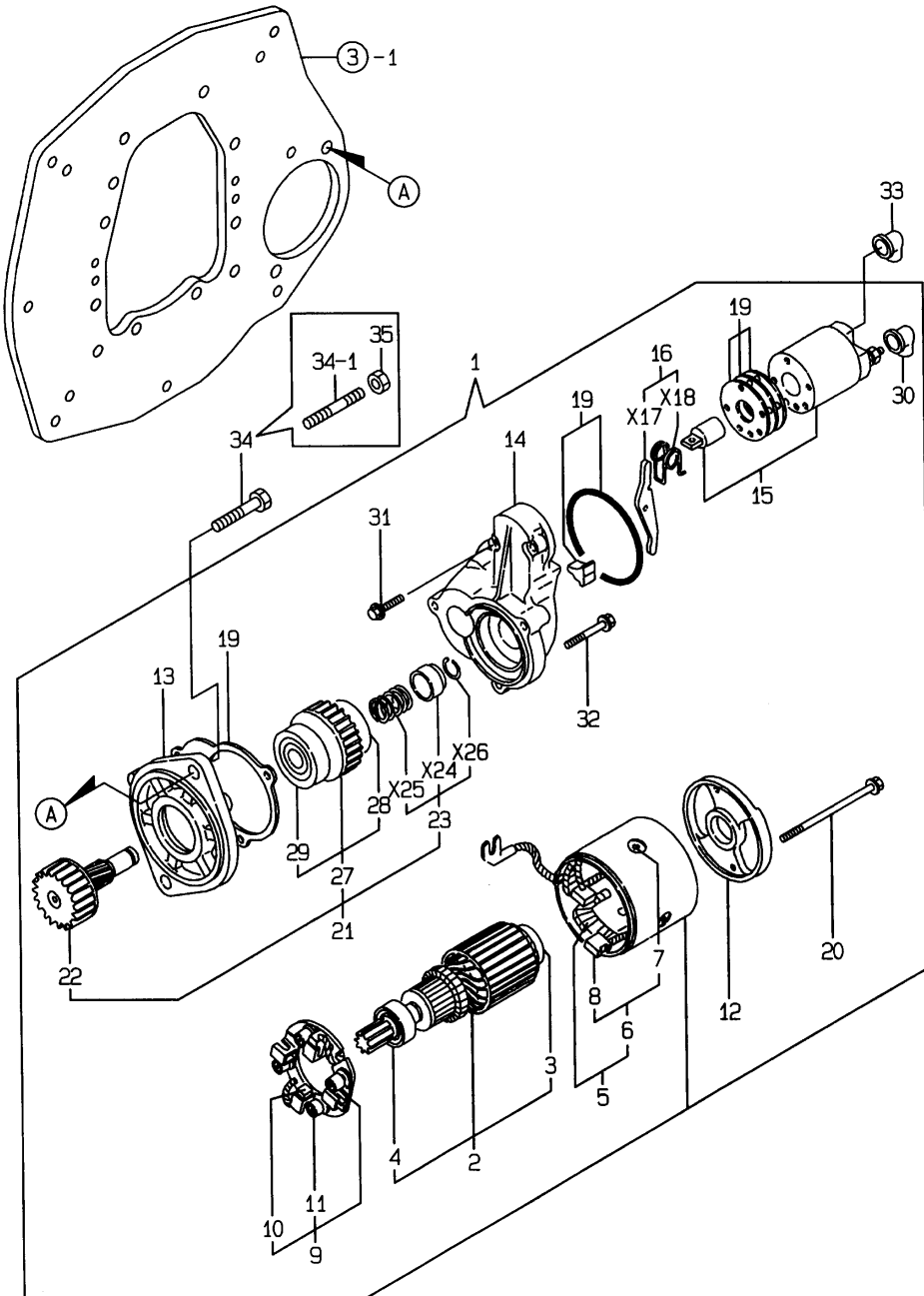
x-MARK PARTS: NOT SOLD SEPARATELY.

(A)=3TNE84MT-K
(B)=3TNE84MT-EK
(C)=

(D)=
(E)=
(F)=

No.	Lev.	Parts No.	Description	Q'ty						I	R
				(A)	(B)	(C)	(D)	(E)	(F)		
1	1	129470-55601	FILTER ASSY, FUEL	1	1						
3	2	129470-55701	STRAINER ASSY, FUEL	1	1						
4	1	26106-100302	BOLT, M10X 30 PLATED	2	2						
5	1	22190-120002	WASHER, SEAL 12	1	1						
6	1	129176-59210	PIPE ASSY, FUEL	1	1						
7	1	23414-120000	GASKET, 12X1.0	5							
7-1	1	22190-120002	WASHER, SEAL 12	5	5						N
		(A=E10102)									
8	1	23857-060000	BOLT, JOINT 6	2	2						
9	1	104200-59170	GASKET, 12	2							
9-1	1	22190-120002	WASHER, SEAL 12	2	2						N
		(A=E10102)									
10	1	129495-59300	BOLT, PIPE JOINT	1	1						
11	1	129491-59540	BOLT, PIPE JOINT M6	3	3						
12	1	129176-59550	PIPE ASSY, RETURN	1	1						
18	1	129176-59600	PIPE ASSY, RETURN	1	1						
24	1	129100-59951	VALVE ASSY, CHECK	1	1						
32	1	23414-060000	GASKET, 6X1.0	6							
32-1	1	22190-060002	WASHER, SEAL 6	6	6						N
		(A=E10102)									
33	1	23414-080000	GASKET, 8X1.0	2							
33-1	1	22190-080002	WASHER, SEAL 6	2	2						N
		(A=E10102)									
34	1	23414-140000	GASKET, 14X1.0	2							
34-1	1	22190-140002	WASHER, SEAL 14	2	2						N
		(A=E10102)									
35	1	23857-030000	BOLT, JOINT 3	1	1						
36	1	101304-59020	JOINT, PIPE 12	1	1						
37	1	103854-39140	BOLT, PIPE JOINT	1	1						

18. STARTING MOTOR

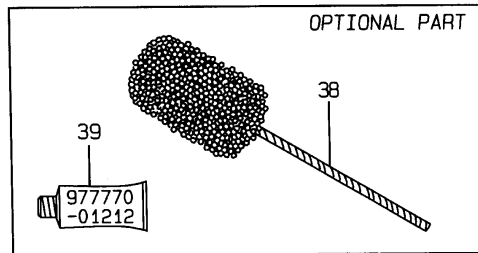
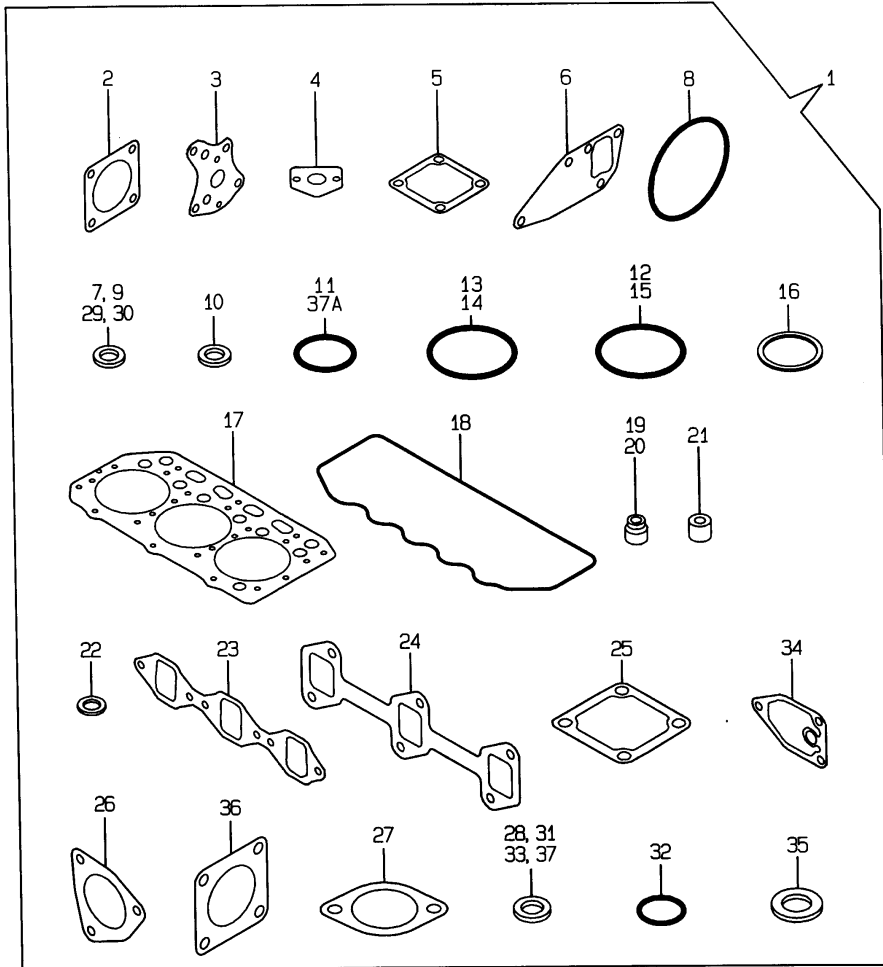


(A)=3TNE84MT-K
(B)=3TNE84MT-EK
(C)=

(D)=
(E)=
(F)=

No.	Lev.	Parts No.	Description	Qty						I	R
				(A)	(B)	(C)	(D)	(E)	(F)		
1	1	171008-77010	STARTER, S114-483	1	1						
2	2	171008-77400	ARMATURE ASSY	1	1						
3	3	X2114255110	BEARING, BALL	1	1						
4	3	X2130350900	BEARING, BALL	1	1						
5	2	171008-77430	YOKE ASSY	1	1						
6	3	171008-77440	COIL ASSY, FIELD	1	1						
7	4	171008-77450	SCREW	4	4						
8	4	171008-77460	BRUSH (+)	2	2						
9	2	171008-77470	HOLDER ASSY, BRUSH	1	1						
10	3	171008-77480	BRUSH (-)	2	2						
11	3	171008-77490	SPRING, BRUSH	4	4						
12	2	171008-77500	COVER, REAR	1	1						
13	2	171008-77510	CASE, GEAR	1	1						
14	2	171008-77520	HOUSING, CENTER	1	1						
15	2	171008-77531	MAGNETIC SWITCH ASSY	1	1						
16	2	171008-77540	LEVER SET	1	1						
19	2	171008-77571	COVER KIT, DUST	1	1						
20	2	171008-77640	BOLT, THROUGH	2	2						
21	2	171008-77650	PINION ASSY	1	1						
22	3	171008-77660	SHAFT	1	1						
23	3	171008-77670	STOPPER SET	1	1						
27	3	X2114555500	CLUTCH ASSY	1	1						
28	4	X2114955020	BEARING, BALL	1	1						
29	4	X2240410100	BEARING, BALL	1	1						
30	2	171008-77750	COVER	1	1						
31	2	26106-060322	BOLT, M6X 32 PLATED	2	2						
32	2	26106-060402	BOLT, M6X 40 PLATED	3	3						
33	1	124550-77030	COVER, TERMINAL	1	1						
34	1	26116-120302	BOLT, M12X 30 PLATED	2							
34-1	1	124450-01610	STUD	2	2						R
		(A=E10245)									
35	1	26716-120002	NUT, M12	2	2						W
		(A=E10245)									

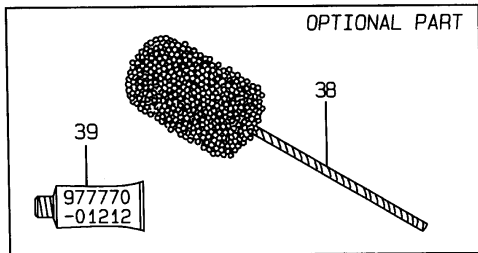
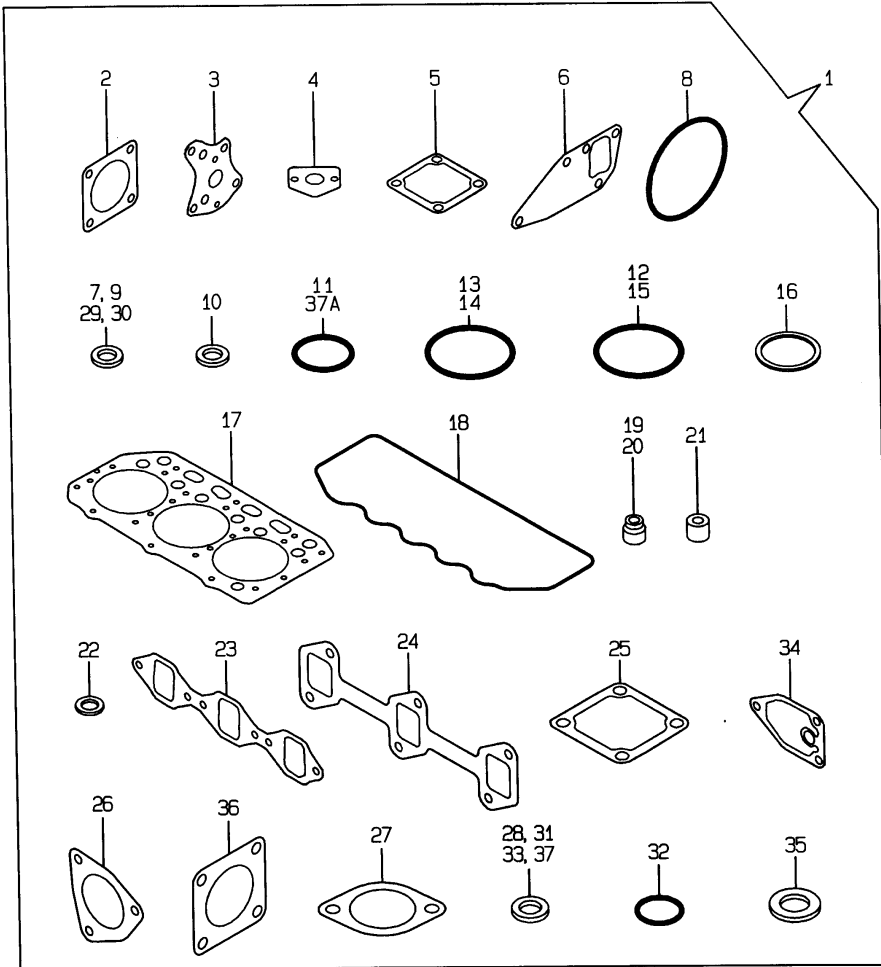
19.GASKET SET



Remarks
(1) OPTIONAL PART.

No.	Lev.	Parts No.	Description	Q'ty						I	R
				(A)	(B)	(C)	(D)	(E)	(F)		
1	1	729218-92610	GASKET SET	1							1
1-1	1	729218-92611 (A=E10102)	GASKET SET	1	1						N 1
2	2	124240-01883 (A=E10102)	GASKET	1							Z
3	2	129150-32020	GASKET, PUMP	1	1						
4	2	129150-35041	GASKET	1	1						
5	2	129100-77510	GASKET	1	1						
6	2	129150-42020	GASKET, WATER PUMP	1							
6-1	2	129486-42050 (A=E10245)	GASKET, WATER PUMP	1	1						N
7	2	22190-080002	WASHER, SEAL 6	5							
7-1	2	22190-080002 (A=E10102)	WASHER, SEAL 6	9	9						K
8	2	121850-51960	O-RING	1	1						
9	2	23414-080000	GASKET, 8X1.0	2	2						
10	2	23414-100000	GASKET, 10X1.0	2							
10-1	2	22190-100002 (A=E10197)	WASHER, SEAL 10	2	2						N
11	2	24311-000160	O-RING, 1AP16.0	4							
11-1	2	24311-000160 (A=FROM 1ST)	O-RING, 1AP16.0	3	3						K
12	2	24341-000500	O-RING, 1AS50.0	1	1						
13	2	24341-000240	O-RING, 1AS24.0	1	1						
14	2	24341-000250	O-RING, 1AS25.0	1	1						
15	2	24311-000320	O-RING, 1AP32.0	2	2						
16	2	129470-49810	GASKET, THERMOSTAT	1	1						
17	2	129002-01331	GASKET, HEAD	1	1						
18	2	129150-11310	GASKET, BONNET	1	1						
19	2	121400-11340	SEAL, VALVE STEM	3	3						
20	2	124460-11340	SEAL, VALVE STEM	3	3						
21	2	119625-11870	PROTECTOR, NOZZLE	3	3						
22	2	119625-11880	SEAT, NOZZLE	3	3						
23	2	129150-12111	GASKET, MANIFOLD	1	1						
24	2	129150-13110	GASKET	1	1						
25	2	129470-77590	GASKET	1	1						
26	2	129472-13520	GASKET	1	1						
27	2	129795-49551	GASKET	1	1						
28	2	104200-59170 (A=E10102)	GASKET, 12	2							Z
29	2	23414-060000	GASKET, 6X1.0	6							
29-1	2	22190-060002 (A=E10102)	WASHER, SEAL 6	6	6						N
30	2	23414-080000 (A=E10102)	GASKET, 8X1.0	2							Z
31	2	23414-120000	GASKET, 12X1.0	5							
31-1	2	22190-120002 (A=E10102)	WASHER, SEAL 12	7	7						N
32	2	24311-000120	O-RING, 1AP12.0	3	3						
33	2	23414-140000	GASKET, 14X1.0	2							
33-1	2	22190-140002	WASHER, SEAL 14	2	2						N

19. GASKET SET



(A)=3TNE84MT-K
(B)=3TNE84MT-EK
(C)=

(D)=
(E)=
(F)=

No.	Lev.	Parts No.	Description	Qty						I	R
				(A)	(B)	(C)	(D)	(E)	(F)		
(A=E10102)											
34	2	129150-35111	GASKET	1	1						
35	2	129155-52050	GASKET	1	1						
36	2	129792-18091	GASKET	1	1						
37	2	22190-080003	WASHER, SEAL 8	1							Z
(A=E10197)											
37A	2	24314-000160	O-RING, 4CP16.0	1	1						W
(A=FROM 1ST)											
38	1	129400-92420	HONE	1	1						1
39	1	977770-01212	GASKET, LIQUID	1	1						1

Remarks
(1) OPTIONAL PART.



Parts No. Index

Parts No.	Fig. No.	Ref. No.
101304-59020	17	36
103854-39140	17	37
104200-59170	17	9
	19	28
104214-42780	11	23
104407-21600	11	1
104407-44480	7	18
	13	3
105010-39140	10	1
114250-39450	10	3 -1
114250-53080	16	5
114250-53120	16	7
114250-53130	16	8
114250-53140	16	9
114250-53210	16	10
114250-53400	16	11
119025-51520	20	46
119600-66840	15	75
	21	80
119620-49290	1	25 -1
	13	7 -1
119625-11870	4	41
	19	21
119625-11880	4	42
	19	22
119625-11900	4	43
119653-77950	15	80
	21	85
119660-61901	15	55
	21	60
119717-51420	20	38
119717-51500	20	45
119717-51860	20	90
119810-51040	14	5
	20	6
119843-61540	15	45
120130-11860	4	8
120130-49350	1	25
	13	7
120323-61470	21	82
120445-44640	13	20
121023-01550	2	25
121111-21501	8	9
121400-11340	4	24
	19	19
121450-01560	2	5
121520-34810	9	27
121550-23200	8	27
121575-42020	11	5
121575-42120	11	11

Parts No.	Fig. No.	Ref. No.
121575-42150	11	12
121850-21680	8	8
121850-51960	2	10
	19	8
122117-51560	14	48
122710-51090	14	8
	20	10
124070-42400	11	15
124070-42420	11	16
124160-01751	2	28
	4	61
124160-01910	1	4
124160-11360	4	56
124160-39140	10	2
124160-39450	10	3
124160-49480	13	11
124223-39900	10	10
124223-42040	11	6
124223-42070	11	7
124223-42080	11	8
124223-42091	11	9
124223-42110	11	10
124240-01871	2	6
124240-01883	2	7
	19	2
124450-01610	18	34 -1
124460-11340	4	25
	19	20
124460-77680	11	32
	13	24
124550-21600	8	12
124550-51350	14	30
	20	32
124550-51370	14	31
124550-59820	10	12
124550-59830	10	11
124550-66370	15	57
	21	62
124550-77030	18	33
124770-12540	5	8
124950-51190	14	15
	20	17
127610-03270	11	25
127610-91350	12	37
128170-13600	7	5
	13	2
128695-44090	7	17
	11	26
	12	38
129001-01250	1	7 -1

Parts No.	Fig. No.	Ref. No.
129001-02930	1	17
129001-21000	8	1
129001-32001	9	1
129001-35300	9	28
129002-01331	1	24
	19	17
129002-22090	8	15
129002-22510	8	17
129002-22910	8	32
129002-22960	8	34
129052-61050	15	4
129052-61051	21	5
129052-61060	15	5
	21	6
129052-61070	15	6
129052-61071	21	7
129052-61390	15	29
	21	18
129080-39450	10	4
129080-49010	11	27
129100-01580	3	2
		13
	8	6
129100-01640	3	14
129100-01730	3	5
129100-11100	4	19
129100-11130	4	21
129100-11240	4	29
129100-11350	4	46
129100-11351	4	46 -1
129100-11650	4	36
129100-23910	8	26
129100-25061	6	9
129100-51300	14	25
	20	27
129100-51560	20	50
129100-51570	20	51
129100-52200	14	93
	20	98
129100-59912	16	23
129100-59922	16	24
129100-59932	16	25
129100-59951	17	24
129100-61400	15	15
	21	19
129100-61930	15	82
129100-77500	5	12
129100-77510	5	13
	19	5
129103-01530	2	4

Parts No.	Fig. No.	Ref. No.
129122-44480	2	27
129129-14580	6	3
129150-01200	1	23
129150-02020	1	10
129150-02450	6	4
129150-02870	1	29
129150-02930	1	20
129150-02940	1	32
129150-03020	4	48
129150-03070	4	49
129150-03080	4	50
129150-11230	4	37
129150-11280	4	32
129150-11290	4	33
129150-11310	4	52
	19	18
129150-11370	4	26
129150-11750	4	39
129150-11810	4	10
129150-12111	5	2
	19	23
129150-13110	13	1
	19	24
129150-14101	6	6
129150-14200	6	1
129150-14400	6	2
129150-21200	8	3
129150-23600	8	28
129150-23610	8	30
129150-25101	6	10
129150-25301	6	18
129150-25900	6	15
129150-25920	6	13
129150-25931	6	15 -1
129150-32020	9	14
	19	3
129150-35041	9	16
	19	4
129150-35091	9	17
129150-35101	9	22
129150-35111	9	23
	19	34
129150-35151	9	24
129150-35350	9	29
129150-42020	12	16
	19	6
129150-42320	12	15
129150-59120	16	18
129150-59131	16	21
129155-11260	4	30



Parts No. Index

Parts No.	Fig. No.	Ref. No.
129155-11270	4	31
129155-51020	14	4
	20	5
129155-51050	14	6
129155-51051	20	8
129155-51060	14	7
129155-51140	14	12
	20	14
129155-51180	14	14
	20	16
129155-51200	14	16
	20	18
129155-51270	14	23
129155-51280	14	24
	15	2
	20	26
	21	2
129155-51320	14	28
	20	30
129155-51340	14	29
	20	31
129155-51370	14	32
	20	33
129155-51380	14	33
	20	34
129155-51390	14	34
	20	35
129155-51400	14	35
	20	36
129155-51410	14	36
129155-51420	14	37
129155-51450	14	38
	20	40
129155-51500	14	43
129155-51521	14	44
129155-51530	14	45
	20	47
129155-51540	14	46
	20	48
129155-51550	14	47
	20	49
129155-51570	14	50
129155-51580	14	51
	20	53
129155-51591	14	52
	20	54
129155-51600	14	53
	20	55
129155-51700	14	72
129155-51701	14	72 -1

Parts No.	Fig. No.	Ref. No.
129155-51701	20	74
129155-51710	14	73
129155-51711	20	75
129155-51750	14	74
129155-51751	14	74 -1
	20	76
129155-51760	14	75
129155-51761	20	77
129155-51790	14	76
129155-51930	14	78
	20	80
129155-51940	14	79
	20	81
129155-52050	14	92
	19	35
129155-52051	20	97
129155-61120	15	7
	21	8
129155-61130	15	8
	21	9
129155-61140	15	9
	21	10
129155-61341	15	14
	21	15
129155-61350	15	73
	21	16
129155-61360	15	74
	21	17
129155-61430	15	18
	21	22
129155-61450	15	22
	21	26
	65	
129155-61460	15	23
	21	27
129155-61470	15	77
129155-61480	15	24
	21	28
129155-61830	15	66
	21	73
129155-61950	15	56
	21	61
129156-44760	12	18
129156-51910	14	77
	20	79
129170-12100	5	1
129170-44110	13	16
129170-49260	12	34
129171-03090	4	1
129171-44600	13	19

Parts No.	Fig. No.	Ref. No.
129171-49560	12	41
129175-01770	3	6
129175-21650	8	13
129176-01601	3	1
129176-39610	10	18
129176-44000	13	5
129176-44900	13	4
129176-59210	17	6
129176-59550	17	12
129176-59600	17	18
129189-21570	8	10
129202-22300	8	21
129208-51060	20	9
129208-54500	20	91
129209-61920	21	72
129209-61930	21	87
129209-61970	21	88
129301-03660	4	59
129400-92420	19	38
129403-18570	7	15 A
129403-18720	7	7
129403-18800	7	9
129403-39610	10	19
129410-03990	4	58
129410-77330	11	42
129412-61500	15	30
129470-07230	4	2
129470-11080	4	17
129470-11090	4	18
129470-12210	5	14
129470-42001	12	1
129470-44440	13	17
129470-44450	13	18
129470-49200	12	30
129470-49220	12	31
129470-49240	12	32
129470-49250	12	33
129470-49540	12	25
129470-49801	12	27
129470-49810	12	28
	19	16
129470-51101	14	9
	20	11
129470-55601	17	1
129470-55701	17	3
129470-77590	5	10
	19	25
129472-13520	7	1
	19	26
129472-49040	11	36

Parts No.	Fig. No.	Ref. No.
129473-49310	12	39
129475-49020	11	29
129477-12500	5	5
129477-12530	5	7
129477-12850	5	17
129477-61720	15	79
	21	84
129486-01670	3	17
129486-42050	12	16 -1
	19	6 -1
129486-61501	21	34
129486-61540	21	52
129491-59540	17	11
129495-59300	17	10
129500-61650	15	78
	21	83
129503-53000	16	2
129550-42350	12	17
129579-13551	7	2
129579-18010	7	6
129579-18780	7	8
129579-18820	7	12
129579-18830	7	13
129579-18850	7	14
129579-18860	7	15
129579-42150	11	2
129579-42160	11	13
129579-42190	11	14
129579-42500	11	3
129579-49320	12	40
129579-49460	11	31
129618-61201	21	11
129670-49290	7	17 -1
	12	38 -1
129792-18091	7	16
	19	36
129795-01780	3	16
129795-01800	2	3
129795-01950	2	8
129795-02411	1	13
129795-11120	4	20
129795-11180	4	22
129795-21661	8	7
129795-49551	12	26
	19	27
129900-07900	4	60
129960-03990	4	58 -1
158552-61900	15	65 -1
	21	71
158600-51170	20	15



Parts No. Index

Parts No.	Fig. No.	Ref. No.
158600-51270	20	25
158600-51410	20	37
158600-51420	20	39
158600-51570	20	52
158600-51790	20	78
171007-49400	7	19
171008-77010	18	1
171008-77400	18	2
171008-77430	18	5
171008-77440	18	6
171008-77450	18	7
171008-77460	18	8
171008-77470	18	9
171008-77480	18	10
171008-77490	18	11
171008-77500	18	12
171008-77510	18	13
171008-77520	18	14
171008-77531	18	15
171008-77540	18	16
171008-77571	18	19
171008-77640	18	20
171008-77650	18	21
171008-77660	18	22
171008-77670	18	23
171008-77750	18	30
171051-01921	1	5
171301-01640	3	7
171375-44300	11	38
171375-44320	11	40
171420-34800	9	26
171487-49010	11	28
171488-61200	15	10
171488-61440	15	76
	21	81
174307-51170	14	13
174307-51560	14	49
174307-51700	15	31
	21	35
194440-51620	12	42
22117-040000	15	58
	21	63
22190-060002	17	32 -1
	19	29 -1
22190-060003	15	59
	21	64
22190-080002	2	23
		24
	10	13 -1
		14 -1

Parts No.	Fig. No.	Ref. No.
22190-080002	17	33 -1
	19	7
		7 -1
22190-080003	10	13
		14
	19	37
22190-100002	10	16 -1
	15	60
	19	10 -1
	21	66
22190-120002	15	61
	17	5
		7 -1
		9 -1
	19	31 -1
	21	67
22190-140002	17	34 -1
	19	33 -1
22190-160002	14	88
	20	82
22217-050000	14	89
	20	83
22217-060000	14	80
22217-080000	12	19
22217-120000	6	16
		16 -1
	20	93
22242-000150	11	17
22252-000260	8	22
22252-000350	11	18
22287-120000	15	62
	21	68
22351-050010	14	81
	20	84
22351-060012	4	27
22372-040000	15	63
	21	69
22512-070140	6	7
	8	4
22512-070160	8	14
23000-013000	12	43
23000-022000	10	20
23000-025000	12	44
23000-035000	11	33
		37
23000-041000	12	35
23000-048000	5	9
		18
23000-060000	5	19
23061-070300	11	34

Parts No.	Fig. No.	Ref. No.
23061-070300	13	25
23414-060000	17	32
	19	29
23414-080000	10	15
	17	33
	19	9
		30
23414-100000	10	16
	19	10
23414-120000	17	7
	19	31
23414-120016	21	89
23414-140000	17	34
	19	33
23414-170000	13	12
23857-030000	17	35
23857-060000	17	8
23871-010000	1	6
	5	16
23871-020000	4	12
23871-030000	4	13
23876-010000	1	6 -1
	5	16 -1
23876-020000	4	12 -1
23876-030000	4	13 -1
23887-100002	15	64
	21	70
23894-030002	13	13
24101-063034	14	82
	20	85
24107-062024	11	19
24311-000120	4	57
	19	32
24311-000160	2	11
	9	30
	19	11
		11 -1
24311-000320	2	12
	4	62
	19	15
24314-000160	10	21
	19	37 A
24316-000150	20	86
24321-000750	13	21
24341-000160	14	83
24341-000240	2	26
	19	13
24341-000250	3	9
	19	14
24341-000280	15	65

Parts No.	Fig. No.	Ref. No.
24341-000500	4	54
	19	12
25132-004400	12	20
26014-080162	11	20
26014-080252	11	43
26022-050102	14	84
26022-050122	14	84 -1
	20	87
26022-060162	14	85
	20	88
26106-060082	11	24
26106-060102	12	21
	15	67
		68
	21	74
		75
26106-060142	15	69
	21	76
26106-060162	2	9
	10	22
26106-060202	15	70
	21	77
26106-060322	18	31
26106-060402	18	32
26106-080102	10	17
26106-080122	2	13
26106-080142	6	14
26106-080162	2	14
		15
	3	10
	4	3
		55
	11	35
	13	22
26106-080182	11	44
26106-080202	2	16
	9	25
26106-080252	3	11
	4	44
	5	3
	12	29
	13	23
26106-080352	3	18
	5	4
	9	21
	12	36
26106-080402	5	11
26106-080452	2	17
	3	12
		12 -1



Parts No. Index

Parts No.	Fig. No.	Ref. No.
26106-080452	6	8
26106-080502	2	18
	3	20
	4	45
26106-080552	2	19
	12	22
		23
26106-080652	12	24
26106-080852	2	20
26106-080902	2	21
26106-081002	13	26
26106-100302	17	4
26106-100352	11	30
26113-040088	11	21
26116-050302	14	86
	20	89
26116-120302	18	34
26206-100202	3	3
26206-100252	3	4
26216-060202	4	14
26226-080182	4	40
26347-080002	11	22
26366-060002	4	28
26366-080002	2	22
	13	27
	15	81
	21	86
26450-060252	9	15
26703-080002	7	3
		4
26706-100002	11	41
26716-060002	14	87
26716-120002	6	17
		17 -1
	18	35
	20	94
26756-060002	15	71
	21	78
26776-120002	15	72
	21	79
27231-500000	1	7
27241-120000	1	8
27241-220000	4	15
27241-280000	13	14
27241-300000	1	9
27241-400000	4	16
	13	15
27310-080001	4	23
719810-01500	2	1
729080-51310	14	1

Parts No.	Fig. No.	Ref. No.
729080-51470	20	1
729132-11521	4	46 -2
729202-11710	4	4
729218-92610	19	1
729218-92611	19	1 -1
729270-01560	1	1
729402-23100	8	23
729412-53300	16	1
977770-01212	2	29
	3	19
	19	39
X2114255110	18	3
X2114555500	18	27
X2114955020	18	28
X2130350900	18	4
X2240410100	18	29

Parts No.	Fig. No.	Ref. No.
-----------	----------	----------

Parts No.	Fig. No.	Ref. No.
-----------	----------	----------