

0CB10-M58701EN

Directions for the Parts Catalog.

1. This Parts Catalog shows both standard and optional parts.
2. Parts may change without prior notice.
3. The following is an example of the Parts Catalog format.

| REF. | LEV. | PARTS NO. | DESCRIPTION | Q'TY | | | | | | I | R |
|------|------|--------------------------------------------------------|---------------------|------|-----|-----|-----|-----|-----|---|---|
| | | | | (A) | (B) | (C) | (D) | (E) | (F) | | |
| 1 | 1 | 729595-51390 | FUEL INJECTION PUMP | 1 | 1 | 1 | 1 | 1 | | | 1 |
| 1-1 | 1 | 729595-51391 | FUEL INJECTION PUMP | 1 | 1 | 1 | 1 | 1 | | N | 1 |
| | | (A=E00185) (B=E00200) | | | | | | | | | |
| 3 | 2 | 26022-060162 | SCREW M 6X 16 | 9 | 9 | 9 | 9 | 9 | | | |
| 3-1 | 2 | 26022-060162 | SCREW M 6X 16 | 4 | 4 | 4 | 4 | 4 | | K | |
| | | (A=E00156) (B=E00156) (C=E00156) (D=E00156) (E=E00156) | | | | | | | | | |
| 4 | 2 | 129470-51040 | CAMSHAFT | 1 | 1 | 1 | 1 | 1 | | | |
| 5 | 2 | 122710-51050 | BEARING, ROLLER | 2 | 2 | 2 | 2 | 2 | | | |
| 6 | 2 | 129470-51060 | RETAINER | 1 | 1 | 1 | 1 | 1 | | | |

| |
|-----------------------------------------------------------------------|
| Remarks |
| (1) BOOST COMPEMSATOR TYPE. OPTIONAL PART, TO E00155,(4JH-DT, 4JH-DTZ |

① Ref. No.

The Ref. No. listed may not be in accordance with the illustration Ref. No.

(Ex.) Illustration No. 1 List Ref No. 1 (Before change) → 1-1 (After change)

For interchangeable symbols N, R and K, illustrations for new parts may be abbreviated.

② Lev. (Level)

Level indication

The numbers below indicate the level of relativity towards the main part.

1 ----- Main parts (Assembly parts)

2 ----- Sub component included in " 1 ".

3 ----- Sub component included in " 2 ".

Note) Parts that are not for sale are partially illustrated but not listed.

③ Interchangeability Symbol

When a part change takes place, one of the following interchangeability symbols is indicated beside the part.

| Symbol | Interchangeability | Contents note |
|--------|---------------------------------------------------------------------------------------|--------------------------------------------------------------------------------------------|
| N | Old $\begin{matrix} \leftarrow \text{Yes} \\ \text{No} \rightarrow \end{matrix}$ New | New Part is interchangeable for Old Part but Old Part is not interchangeable for New Part. |
| Q | Old $\begin{matrix} \leftarrow \text{No} \\ \text{Yes} \rightarrow \end{matrix}$ New | New Part is not interchangeable for Old Part but Old Part is interchangeable for New Part. |
| R | Old $\begin{matrix} \leftarrow \text{Yes} \\ \text{Yes} \rightarrow \end{matrix}$ New | New/ Old Parts are both interchangeable. |
| S | Old $\begin{matrix} \leftarrow \text{No} \\ \text{No} \rightarrow \end{matrix}$ New | New/ Old Parts are both not interchangeable. |
| W | | Part newly added. |
| Z | | Part discontinued. |
| F | | Not interchangeable by a single part but interchangeable together with related parts. |
| K | | Changes only for used parts quantities. |

④ Effective Machine No.

When a part changes, the effective Machine No. will be indicated in the (A)-(F) column.

| Product Symbol | Product No. | Product Symbol | Product No. |
|----------------|---------------------------|----------------|-----------------------------------|
| C | Clutch No. Compressor No. | F | Machine No. (Agricultural Equip.) |
| D | Drive No. | M | Machine No. |
| E | Engine No. | | |

Note 1) A date may follow the symbol. (Ex.) 1996.01

Note 2) "XXXXX" and "ZZZZZ" are for parts that could not be predicted or for engine models that could not be identified.

Note 3) (A=E00185) is the E (Engine Serial Number) for the column (A) model (in this case 4JH-DT) after the parts design change.

⑤ Remarks

Figures or alphabets (symbols) are entered in the remarks column.

The comments (remarks) on parts that are indicated at the bottom of the illustration are the same symbols as those stated above.

Fig. No. Fig. Name

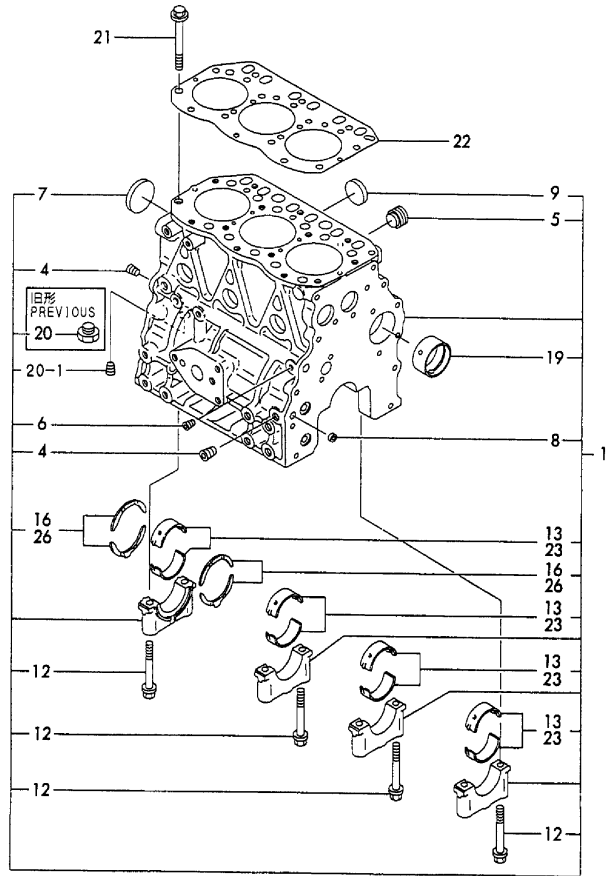
ENGINE 3TNE78A-B1

1. CYLINDER BLOCK
2. GEAR HOUSING
3. FLYWHEEL HOUSING&LUB.OIL SUMP
4. CYLINDER HEAD & BONNET
5. SUCTION MANIFOLD & AIR CLEANER
6. EXHAUST MANIFOLD & SILENCER
7. CAMSHAFT & DRIVING GEAR
8. CRANKSHAFT & PISTON
9. LUB.OIL SYSTEM
10. COOLING WATER SYSTEM
11. FUEL INJECTION PUMP
12. GOVERNOR
13. FUEL INJECTION PIPE
14. FUEL OIL PIPE
15. STARTING MOTOR
16. GENERATOR
17. GASKET SET & TOOLS

Fig. No. Fig. Name



(A)=3TNE78A-B1
 (B)=
 (C)=

 (D)=
 (E)=
 (F)=


| No. | Lev. | Parts No. | Description | Q'ty | | | | | | I | R |
|--------------|------|--------------|----------------------|------|-----|-----|-----|-----|-----|---|---|
| | | | | (A) | (B) | (C) | (D) | (E) | (F) | | |
| 1 | 1 | 719822-01560 | BLOCK ASSY, CYLINDER | 1 | | | | | | | |
| 4 | 2 | 124160-01910 | PLUG, PT1/4 | 2 | | | | | | | |
| 5 | 2 | 171051-01921 | PLUG, NPTF1 | 1 | | | | | | | |
| 6 | 2 | 23871-010000 | PLUG, R01 | 1 | | | | | | | |
| 7 | 2 | 27231-500000 | PLUG 50 | 1 | | | | | | | |
| 8 | 2 | 27241-120000 | PLUG, 12 | 2 | | | | | | | |
| 9 | 2 | 27241-300000 | PLUG 30 | 6 | | | | | | | |
| 12 | 2 | 119620-02020 | BOLT, METAL CAP | 8 | | | | | | | |
| 13 | 2 | 119810-02800 | BEARING, MAIN | 4 | | | | | | | |
| 16 | 2 | 119810-02930 | BEARING, THRUST | 1 | | | | | | | |
| 19 | 2 | 129795-02411 | BUSH, CAMSHAFT | 1 | | | | | | | |
| 20 | 2 | 23887-120002 | PLUG, 12 | 1 | | | | | | | |
| 20-1 | 2 | 124160-01910 | PLUG, PT1/4 | 1 | | | | | | | S |
| (A=E/#14543) | | | | | | | | | | | |
| 21 | 1 | 119810-01200 | BOLT, HEAD | 14 | | | | | | | |
| 22 | 1 | 119818-01330 | GASKET, HEAD | 1 | | | | | | | A |
| 23 | 1 | 119810-02870 | BEARING, 0.25 US | 4 | | | | | | | 1 |
| 26 | 1 | 119810-02940 | BEARING, THRUST 0.25 | 2 | | | | | | | 2 |

Remarks

 (1) UNDER-SIZE(U.S=0.25)PART.
 (2) OVER-SIZE(O.S=0.25)PART.
 (A) THESE PART ARE ALSO SOLD BY
 FIG 17.REF NO.1
 (GASKET SET.P/# 719910-92610).

(A)=3TNE78A-B1

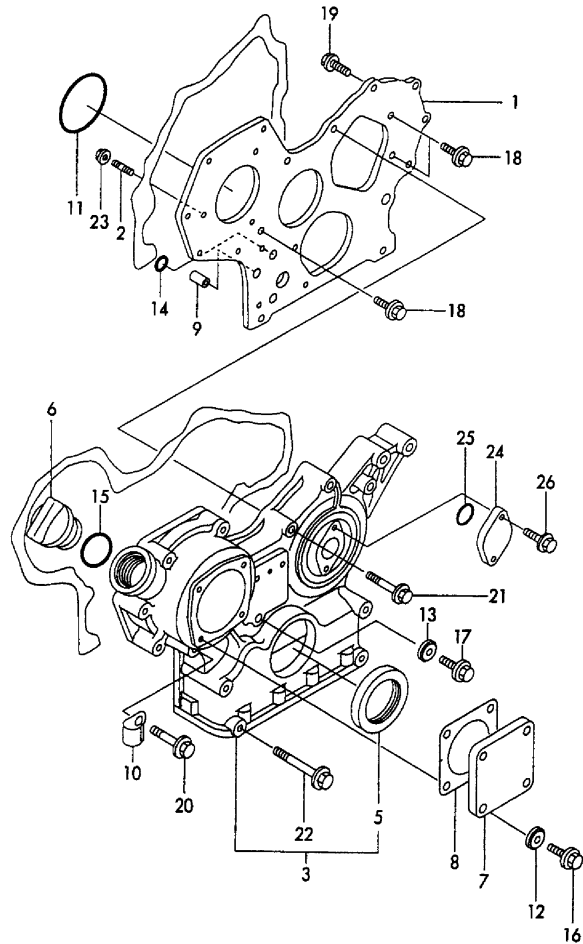
(B)=

(C)=

(D)=

(E)=

(F)=



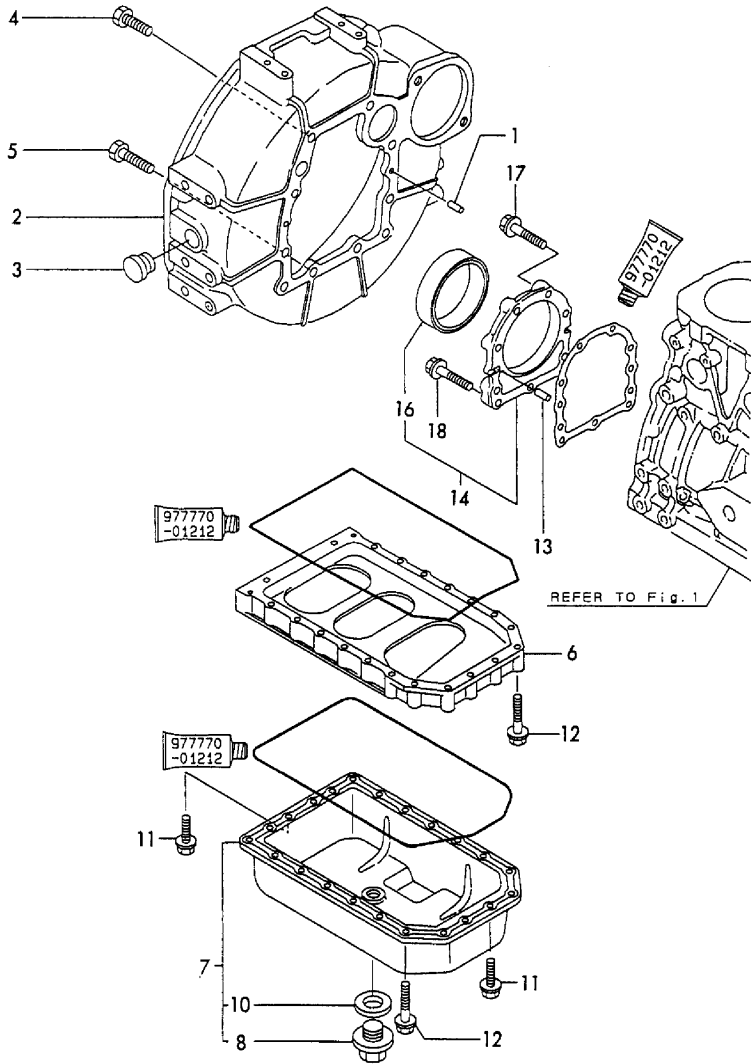
| No. | Lev. | Parts No. | Description | Q'ty | | | | | | I | R |
|--------------|------|--------------|---------------------|------|-----|-----|-----|-----|-----|---|---|
| | | | | (A) | (B) | (C) | (D) | (E) | (F) | | |
| 1 | 1 | 129400-01520 | FLANGE, GEAR CASE | 1 | | | | | | | |
| 2 | 1 | 121450-01560 | STUD, M8X22 | 3 | | | | | | | |
| 3 | 1 | 719810-01500 | CASE ASSY, GEAR | 1 | | | | | | | |
| 5 | 2 | 129795-01800 | SEAL, OIL | 1 | | | | | | | |
| 6 | 1 | 124160-01751 | COVER, FILLER | 1 | | | | | | | |
| 7 | 1 | 124240-01871 | COVER | 1 | | | | | | | |
| 8 | 1 | 124240-01883 | GASKET | 1 | | | | | | | A |
| 9 | 1 | 129795-01950 | PIPE, KNOCK L=18 | 2 | | | | | | | |
| 10 | 1 | 129150-03100 | RETAINER, PIPE | 1 | | | | | | | |
| 11 | 1 | 121850-51960 | O-RING | 1 | | | | | | | A |
| 12 | 1 | 22190-080002 | WASHER, SEAL 6 | 4 | | | | | | | |
| 13 | 1 | 22190-080002 | WASHER, SEAL 6 | 1 | | | | | | | |
| 14 | 1 | 24311-000160 | O-RING, 1AP16.0 | 2 | | | | | | | A |
| 15 | 1 | 24311-000320 | O-RING, 1AP32.0 | 1 | | | | | | | A |
| 16 | 1 | 26106-080122 | BOLT, M8X 12 PLATED | 4 | | | | | | | |
| 17 | 1 | 26106-080162 | BOLT, M8X 16 PLATED | 1 | | | | | | | |
| 18 | 1 | 26106-080162 | BOLT, M8X 16 PLATED | 3 | | | | | | | |
| 19 | 1 | 26106-080202 | BOLT, M8X 20 PLATED | 2 | | | | | | | |
| 20 | 1 | 26106-080452 | BOLT, M8X 45 PLATED | 6 | | | | | | | |
| 21 | 1 | 26106-080552 | BOLT, M8X 55 PLATED | 3 | | | | | | | |
| 22 | 1 | 26106-080852 | BOLT, M8X 85 PLATED | 4 | | | | | | | |
| 22-1 | 1 | 129001-91840 | BOLT, M8X85 | 4 | | | | | | | N |
| (A=E/#18361) | | | | | | | | | | | |
| 23 | 1 | 26366-080002 | NUT, M8 | 3 | | | | | | | |
| 24 | 1 | 121023-01550 | COVER | 1 | | | | | | | |
| 25 | 1 | 24341-000240 | O-RING, 1AS24.0 | 1 | | | | | | | A |
| 26 | 1 | 26106-060122 | BOLT, M6X 12 PLATED | 2 | | | | | | | |
| 26-1 | 1 | 26106-060162 | BOLT, M6X 16 PLATED | 2 | | | | | | | N |
| (A=E/XXX) | | | | | | | | | | | |

Remarks

(A) THESE PART ARE ALSO SOLD BY
FIG 17.REF NO.1
(GASKET SET.P/# 719910-92610).

(A)=3TNE78A-B1
(B)=
(C)=

(D)=
(E)=
(F)=



| No. | Lev. | Parts No. | Description | Q'ty | | | | | | I | R |
|--------------|------|--------------|----------------------|------|-----|-----|-----|-----|-----|---|---|
| | | | | (A) | (B) | (C) | (D) | (E) | (F) | | |
| 1 | 1 | 129100-01580 | PIN, M8X16 | 2 | | | | | | | |
| 2 | 1 | 171301-01600 | HOUSING, FLYWHEEL | 1 | | | | | | | |
| 2-1 | 1 | 129612-01600 | HOUSING, FLYWHEEL | 1 | | | | | | | N |
| (A=FROM 1ST) | | | | | | | | | | | |
| 3 | 1 | 119620-01750 | CAP | 1 | | | | | | | |
| 4 | 1 | 26206-100252 | BOLT, M10X 25 PLATED | 6 | | | | | | | |
| 5 | 1 | 26206-100302 | BOLT, M10X 30 PLATED | 4 | | | | | | | |
| 6 | 1 | 119810-01730 | SPACER, OIL SUMP | 1 | | | | | | | |
| 7 | 1 | 119810-01790 | SUMP ASSY, OIL | 1 | | | | | | | |
| 8 | 2 | 119640-01640 | PLUG, DRAIN M22 | 1 | | | | | | | |
| 10 | 2 | 22190-220002 | WASHER, SEAL 22 | 1 | | | | | | | |
| 11 | 1 | 26106-080162 | BOLT, M8X 16 PLATED | 6 | | | | | | | |
| 12 | 1 | 26106-080452 | BOLT, M8X 45 PLATED | 22 | | | | | | | |
| 13 | 1 | 129100-01580 | PIN, M8X16 | 2 | | | | | | | |
| 14 | 1 | 719810-01650 | CASE ASSY, OIL SEAL | 1 | | | | | | | |
| 16 | 2 | 119810-01780 | SEAL, 769310 | 1 | | | | | | | |
| 17 | 1 | 129486-01670 | BOLT, M8X30 | 6 | | | | | | | |
| 18 | 1 | 26106-080352 | BOLT, M8X 35 PLATED | 3 | | | | | | | |

(A)=3TNE78A-B1

(B)=

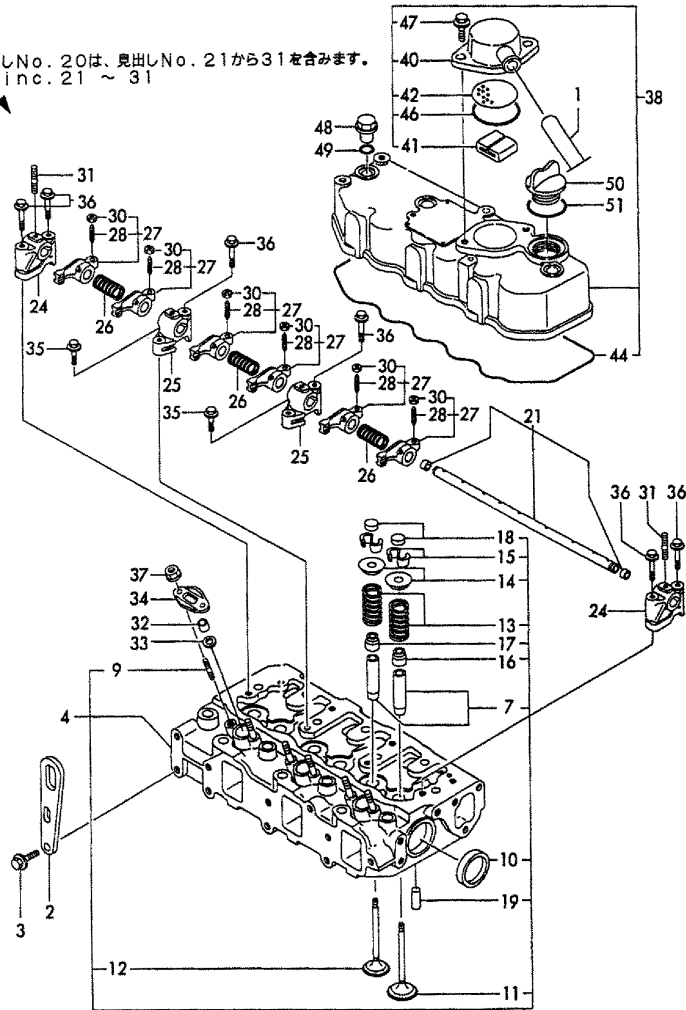
(C)=

(D)=

(E)=

(F)=

見出しNo. 20は、見出しNo. 21から31を含みます。
20 inc. 21 ~ 31



| No. | Lev. | Parts No. | Description | Q'ty | | | | | | I | R |
|--------------|------|--------------|---------------------|------|-----|-----|-----|-----|-----|---|-----|
| | | | | (A) | (B) | (C) | (D) | (E) | (F) | | |
| 1 | 1 | 119856-03090 | PIPE , BREATHER | 1 | | | | | | | |
| 2 | 1 | 124736-07900 | LIFTER | 1 | | | | | | | |
| 3 | 1 | 26106-080142 | BOLT, M8X 14 PLATED | 2 | | | | | | | |
| 4 | 1 | 119812-11700 | HEAD ASSY, CYLINDER | 1 | | | | | | | |
| 7 | 2 | 124060-11800 | GUIDE, VALVE | 6 | | | | | | | 1 |
| 9 | 2 | 26216-060302 | STUD, M6X 30 | 6 | | | | | | | |
| 10 | 2 | 27241-400000 | PLUG, 40 | 2 | | | | | | | |
| 11 | 2 | 119810-11100 | VALVE, INTAKE | 3 | | | | | | | |
| 12 | 2 | 119810-11110 | VALVE, EXHAUST | 3 | | | | | | | |
| 13 | 2 | 119810-11120 | SPRING, VALVE | 6 | | | | | | | |
| 14 | 2 | 104211-11180 | RETAINER, SPRING | 6 | | | | | | | |
| 15 | 2 | 27310-070001 | COTTER, 7 | 6 | | | | | | | N |
| (A=EXXXXX) | | | | | | | | | | | |
| 16 | 2 | 124160-11340 | SEAL, VALVE STEM | 3 | | | | | | | A |
| 17 | 2 | 124950-11340 | SEAL, VALVE STEM | 3 | | | | | | | A |
| 18 | 2 | 104211-11370 | CAP, VALVE | 6 | | | | | | | |
| 19 | 2 | 22351-060012 | PIN, SPRING 6.0X12 | 2 | | | | | | | |
| 20 | 1 | 119865-11210 | SUPPORT ASSY | 1 | | | | | | | |
| 21 | 2 | 119810-11240 | SHAFT ASSY, ROCKER | 1 | | | | | | | |
| 24 | 2 | 129155-11260 | SUPPORT, ROCKER ARM | 2 | | | | | | | |
| 25 | 2 | 129155-11270 | SUPPORT, ROCKER ARM | 2 | | | | | | | |
| 26 | 2 | 129150-11280 | SPRING | 3 | | | | | | | |
| 27 | 2 | 719810-11660 | ARM ASSY, ROCKER | 6 | | | | | | | |
| 28 | 3 | 129150-11230 | SCREW, VALVE ADJUST | 6 | | | | | | | |
| 30 | 3 | 129150-11750 | NUT, M8 | 6 | | | | | | | |
| 31 | 2 | 26226-080182 | STUD, M8X 18 | 3 | | | | | | | |
| 32 | 1 | 119625-11871 | PROTECTOR, NOZZLE | 3 | | | | | | | A |
| 32-1 | 1 | 119625-11870 | PROTECTOR, NOZZLE | 3 | | | | | | | N A |
| (A=E/#14543) | | | | | | | | | | | |
| 33 | 1 | 119625-11880 | SEAT, NOZZLE | 3 | | | | | | | A |
| 34 | 1 | 119625-11900 | RETAINER, NOZZLE | 3 | | | | | | | |
| 35 | 1 | 26106-080252 | BOLT, M8X 25 PLATED | 2 | | | | | | | |
| 36 | 1 | 26106-080502 | BOLT, M8X 50 PLATED | 6 | | | | | | | |
| 37 | 1 | 26366-060002 | NUT, M6 | 6 | | | | | | | |
| 38 | 1 | 719810-11520 | BONNET ASSY, HEAD | 1 | | | | | | | |
| 40 | 2 | 129150-03020 | COVER, BREATHER | 1 | | | | | | | |
| 41 | 2 | 129150-03070 | BAFFLE, BREATHER | 1 | | | | | | | |
| 42 | 2 | 129150-03080 | PLATE, BAFFLE | 1 | | | | | | | |
| 44 | 2 | 119865-11310 | GASKET, BONNET | 1 | | | | | | | A |
| 46 | 2 | 24341-000500 | O-RING, 1AS50.0 | 1 | | | | | | | A |
| 47 | 2 | 26106-080162 | BOLT, M8X 16 PLATED | 2 | | | | | | | |
| 48 | 1 | 124160-11360 | KNOB | 3 | | | | | | | |
| 49 | 1 | 24311-000120 | O-RING, 1AP12.0 | 3 | | | | | | | A |
| 50 | 1 | 124160-01751 | COVER, FILLER | 1 | | | | | | | |
| 51 | 1 | 24311-000320 | O-RING, 1AP32.0 | 1 | | | | | | | |

Remarks

(1)REPAIR PART.

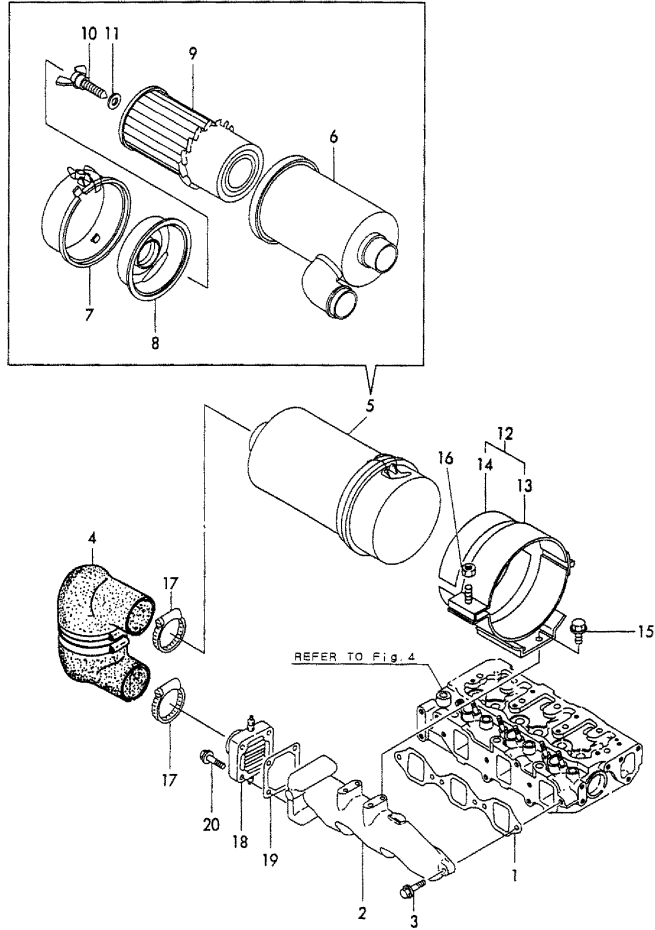
(A)THESE PART ARE ALSO SOLD BY

FIG 17.REF NO.1

(GASKET SET.P/# 719910-92610).

(A)=3TNE78A-B1
(B)=
(C)=

(D)=
(E)=
(F)=



| No. | Lev. | Parts No. | Description | Q'ty | | | | | | I | R |
|------|------|--------------|----------------------|------|-----|-----|-----|-----|-----|---|---|
| | | | | (A) | (B) | (C) | (D) | (E) | (F) | | |
| 1 | 1 | 119810-12111 | GASKET, MANIFOLD | 1 | | | | | | | A |
| 2 | 1 | 171301-12701 | MANIFOLD, AIR INTAKE | 1 | | | | | | | |
| 3 | 1 | 26106-080252 | BOLT, M8X 25 PLATED | 4 | | | | | | | |
| 4 | 1 | 119831-12200 | SILENCER | 1 | | | | | | | |
| 5 | 1 | 119831-12520 | CLEANER ASSY, AIR | 1 | | | | | | | 1 |
| 6 | 2 | 119831-12650 | CASE ASSY | 1 | | | | | | | |
| 7 | 2 | 121465-12660 | PAN, DUST | 1 | | | | | | | |
| 8 | 2 | 121465-12541 | RETAINER, ELEMENT | 1 | | | | | | | M |
| 8-1 | 2 | 121465-12700 | RETAINER, ELEMENT | 1 | | | | | | | |
| 9 | 2 | 121465-12900 | ELEMENT | 1 | | | | | | | M |
| 9-1 | 2 | 121465-12510 | ELEMENT | 1 | | | | | | | |
| 10 | 2 | 124064-12561 | BOLT | 1 | | | | | | | M |
| 10-1 | 2 | 124064-12680 | BOLT | 1 | | | | | | | |
| 11 | 2 | 124064-12690 | WASHER | 1 | | | | | | | |
| 11A | 1 | 172125-03950 | LABEL, AIR CLEANER | 1 | | | | | | | 2 |
| 12 | 1 | 119632-12590 | SUPPORT ASSY,CLEANER | 1 | | | | | | | |
| 13 | 2 | 119632-12560 | SUPPORT | 1 | | | | | | | |
| 14 | 2 | 119640-12580 | SEAT, RUBBER | 2 | | | | | | | |
| 15 | 1 | 26014-080202 | BOLT, M8X 20 | 4 | | | | | | | |
| 16 | 1 | 26366-080002 | NUT, M8 | 1 | | | | | | | |
| 17 | 1 | 23000-060000 | CLAMP, 60 | 2 | | | | | | | |
| 18 | 1 | 129120-77501 | HEATER | 1 | | | | | | | |
| 19 | 1 | 129150-77511 | GASKET | 1 | | | | | | | A |
| 20 | 1 | 26106-080352 | BOLT, M8X 35 PLATED | 4 | | | | | | | |

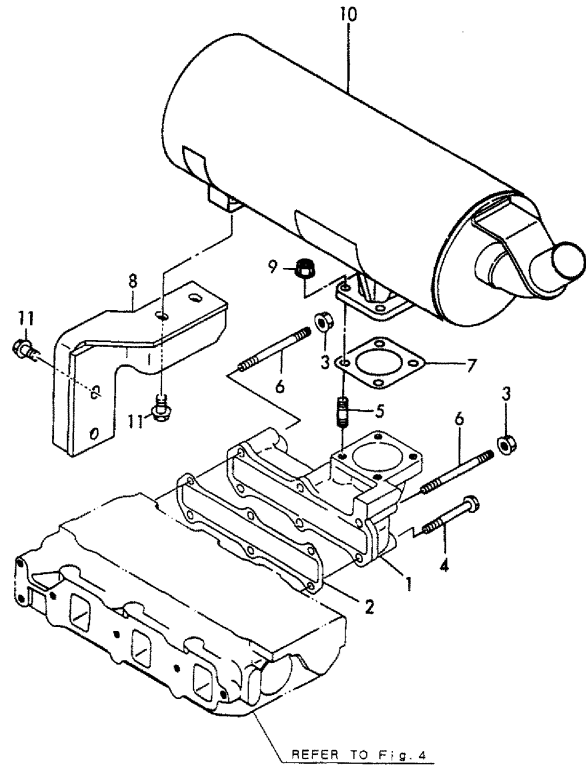
Remarks

(A) THESE PART ARE ALSO SOLD BY
FIG 17.REF NO.1
(GASKET SET.P/# 719910-92610).

(M) MISPRINT.
(1) PLEASE USE THIS PART WITH FOLLOW-
ING LABELS AT THE SAME TIME.
REF. NO. 11A.
(2) LABELS ARE NOT ILLUSTRATED.

(A)=3TNE78A-B1
(B)=
(C)=

(D)=
(E)=
(F)=



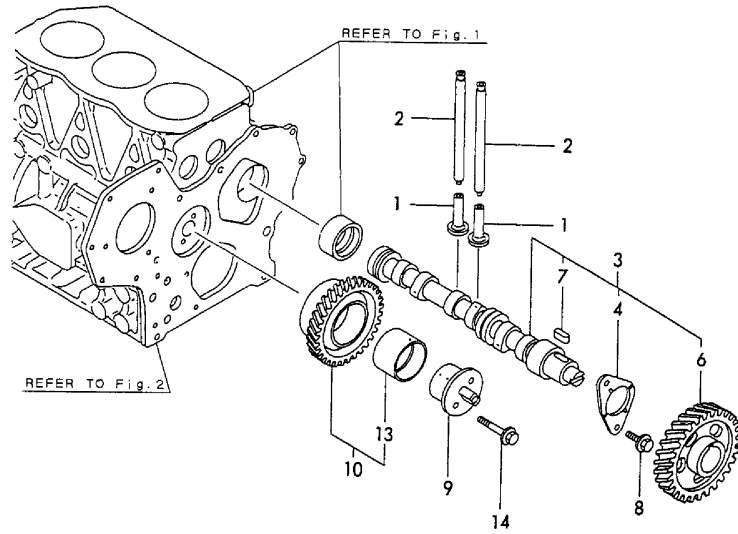
| No. | Lev. | Parts No. | Description | Q'ty | | | | | | I | R |
|-----|------|------------------------------|---------------------|------|-----|-----|-----|-----|-----|---|---|
| | | | | (A) | (B) | (C) | (D) | (E) | (F) | | |
| 1 | 1 | 119813-13100 | MANIFOLD, EXHAUST | 1 | | | | | | | |
| 2 | 1 | 119813-13110 | GASKET | 1 | | | | | | | A |
| 3 | 1 | 194990-22050 | NUT, M8 | 2 | | | | | | | |
| 3-1 | 1 | 26366-080002 (A=E/#18869) | NUT, M8 | 2 | | | | | | | R |
| 4 | 1 | 26106-080602 | BOLT, M8X 60 PLATED | 4 | | | | | | | |
| 5 | 1 | 26216-080222 | STUD, M8X 22 | 4 | | | | | | | |
| 5-1 | 1 | 119131-18320 (A=E/#14282) | STUD, M8X22 | 4 | | | | | | | N |
| 6 | 1 | 26216-080602 | STUD, M8X 60 | 2 | | | | | | | |
| 7 | 1 | 124701-11911 | GASKET, SILENCER | 1 | | | | | | | A |
| 8 | 1 | 119836-13650 | STAY, SILENCER | 1 | | | | | | | |
| 9 | 1 | 194990-22050 | NUT, M8 | 4 | | | | | | | |
| 9-1 | 1 | 26366-080002 (A=E/#18869) | NUT, M8 | 4 | | | | | | | R |
| 10 | 1 | 119831-13520 | SILENCER | 1 | | | | | | | |
| 11 | 1 | 26014-080202 | BOLT, M8X 20 | 4 | | | | | | | |

Remarks

(A) THESE PART ARE ALSO SOLD BY
FIG 17.REF NO.1
(GASKET SET.P/# 719910-92610).

(A)=3TNE78A-B1
(B)=
(C)=

(D)=
(E)=
(F)=

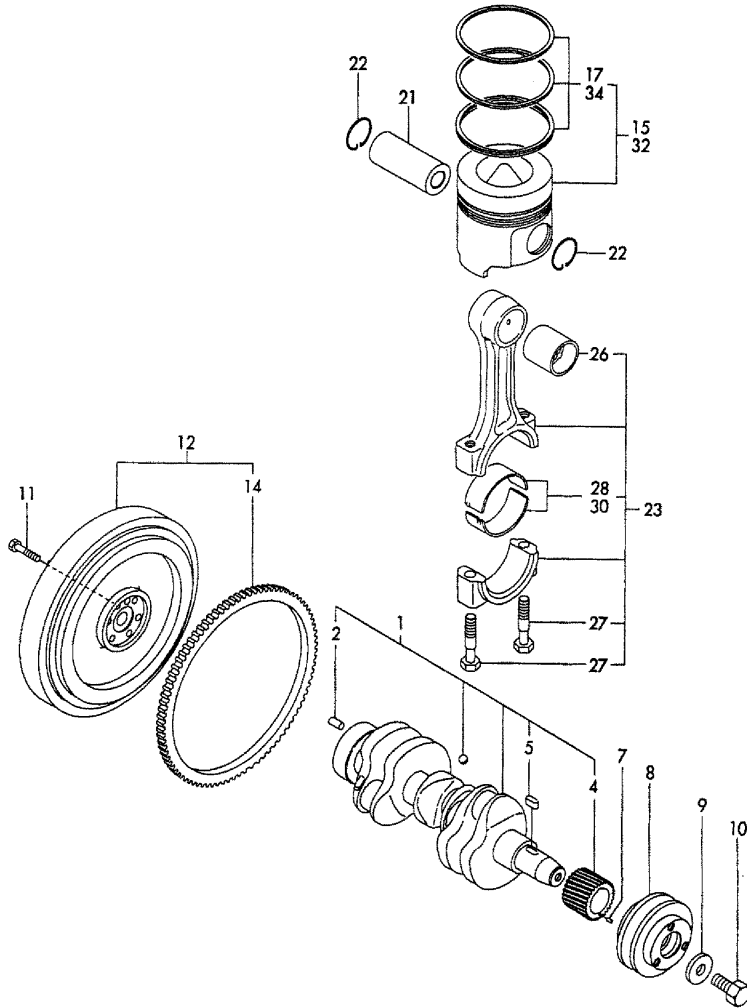


| No. | Lev. | Parts No. | Description | Qty | | | | | | I | R |
|-----|------|--------------|---------------------|-----|-----|-----|-----|-----|-----|---|---|
| | | | | (A) | (B) | (C) | (D) | (E) | (F) | | |
| 1 | 1 | 129150-14200 | TAPPET | 6 | | | | | | | |
| 2 | 1 | 119810-14400 | ROD, PUSH | 6 | | | | | | | |
| 3 | 1 | 119810-14580 | CAMSHAFT ASSY | 1 | | | | | | | |
| 4 | 2 | 129150-02450 | BEARING, THRUST | 1 | | | | | | | |
| 6 | 2 | 129150-14101 | GEAR, CAMSHAFT | 1 | | | | | | | |
| 7 | 2 | 22512-070140 | KEY, 7X 14 | 1 | | | | | | | |
| 8 | 1 | 26106-080142 | BOLT, M8X 14 PLATED | 2 | | | | | | | |
| 9 | 1 | 129100-25061 | SHAFT, IDLE | 1 | | | | | | | |
| 10 | 1 | 129150-25101 | GEAR ASSY, IDLE | 1 | | | | | | | |
| 13 | 2 | 129150-25920 | BUSH, IDLE GEAR | 1 | | | | | | | 1 |
| 14 | 1 | 26106-080452 | BOLT, M8X 45 PLATED | 2 | | | | | | | |

Remarks
(1) REPAIR PART.

(A)=3TNE78A-B1
(B)=
(C)=

(D)=
(E)=
(F)=



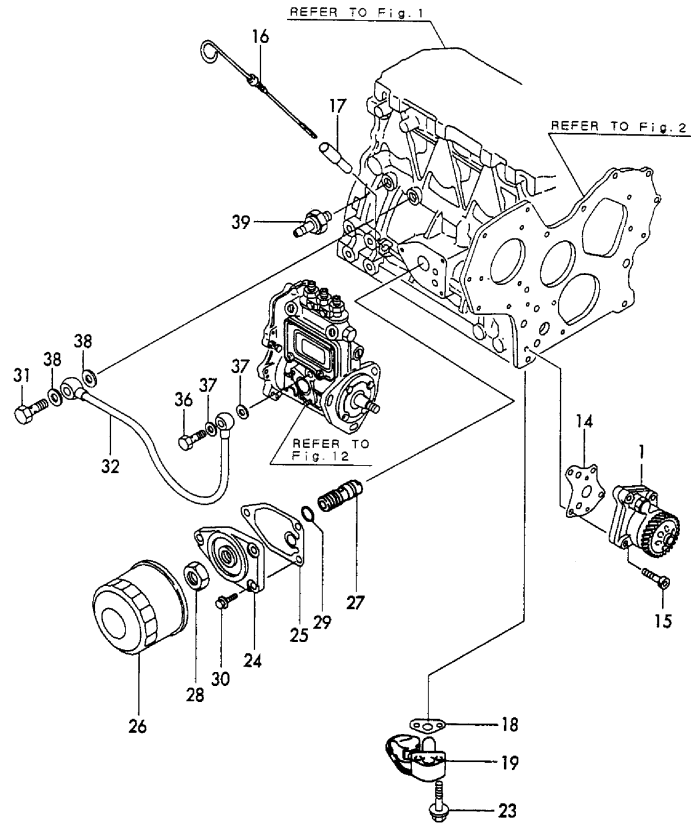
| No. | Lev. | Parts No. | Description | Q'ty | | | | | | I | R |
|-----|------|--------------|----------------------|------|-----|-----|-----|-----|-----|---|---|
| | | | | (A) | (B) | (C) | (D) | (E) | (F) | | |
| 1 | 1 | 119813-21000 | CRANKSHAFT ASSY | 1 | | | | | | | |
| 2 | 2 | 129100-01580 | PIN, M8X16 | 1 | | | | | | | |
| 4 | 2 | 129150-21200 | GEAR, CRANKSHAFT | 1 | | | | | | | |
| 5 | 2 | 22512-070140 | KEY, 7X 14 | 1 | | | | | | | |
| 7 | 1 | 22351-040010 | PIN, SPRING 4.0X10 | 1 | | | | | | | |
| 8 | 1 | 171301-21650 | V-PULLEY | 1 | | | | | | | |
| 9 | 1 | 129795-21661 | WASHER | 1 | | | | | | | |
| 10 | 1 | 121850-21680 | BOLT | 1 | | | | | | | |
| 11 | 1 | 121111-21501 | BOLT, FLYWHEEL | 6 | | | | | | | |
| 12 | 1 | 171325-21590 | FLYWHEEL ASSY | 1 | | | | | | | |
| 14 | 2 | 119865-21600 | GEAR, RING | 1 | | | | | | | |
| 15 | 1 | 119818-22080 | PISTON ASSY | 3 | | | | | | | |
| 17 | 2 | 119818-22500 | RING SET, PISTON | 3 | | | | | | | |
| 21 | 1 | 119813-22300 | PIN, PISTON | 3 | | | | | | | |
| 22 | 1 | 129792-22400 | CIRCLIP, 23 | 6 | | | | | | | |
| 23 | 1 | 719810-23100 | ROD ASSY, CONNECTING | 3 | | | | | | | |
| 26 | 2 | 119810-23910 | BEARING, PISTON PIN | 3 | | | | | | | 1 |
| 27 | 2 | 119810-23200 | BOLT, CONNECTING ROD | 6 | | | | | | | |
| 28 | 2 | 119810-23600 | BEARING, CRANK PIN | 3 | | | | | | | |
| 30 | 1 | 119810-23610 | BEARING, 0.25 US | 3 | | | | | | | 2 |
| 32 | 1 | 119818-22900 | PISTON ASSY, 0.25 OS | 3 | | | | | | | 3 |
| 34 | 2 | 119818-22950 | RING SET, 0.25 OS | 3 | | | | | | | 3 |

Remarks

- (1) REPAIR PART.
- (2) UNDER-SIZE(U.S=0.25)PART.
- (3) OVER-SIZE(O.S=0.25)PART.

(A)=3TNE78A-B1
(B)=
(C)=

(D)=
(E)=
(F)=



| No. | Lev. | Parts No. | Description | Q'ty | | | | | | I | R |
|-----|------|--------------|----------------------|------|-----|-----|-----|-----|-----|---|---|
| | | | | (A) | (B) | (C) | (D) | (E) | (F) | | |
| 1 | 1 | 129001-32001 | PUMP ASSY, OIL | 1 | | | | | | | |
| 14 | 1 | 129150-32020 | GASKET, PUMP | 1 | | | | | | | A |
| 15 | 1 | 26450-060252 | BOLT, M6X 25 | 4 | | | | | | | |
| 16 | 1 | 119812-34800 | DIPSTICK, OIL | 1 | | | | | | | |
| 17 | 1 | 121520-34810 | GUIDE, DIPSTICK | 1 | | | | | | | |
| 18 | 1 | 129150-35041 | GASKET | 1 | | | | | | | A |
| 19 | 1 | 119810-35401 | PIPE ASSY, OIL INLET | 1 | | | | | | | |
| 23 | 1 | 26106-080352 | BOLT, M8X 35 PLATED | 2 | | | | | | | |
| 24 | 1 | 129150-35101 | BRACKET, STRAINER | 1 | | | | | | | |
| 25 | 1 | 129150-35111 | GASKET | 1 | | | | | | | A |
| 26 | 1 | 129150-35151 | FILTER, D80XL80 | 1 | | | | | | | |
| 27 | 1 | 129001-35300 | BOLT, FILTER | 1 | | | | | | | |
| 28 | 1 | 129150-35350 | NUT | 1 | | | | | | | |
| 29 | 1 | 24311-000160 | O-RING, 1AP16.0 | 1 | | | | | | | A |
| 30 | 1 | 26106-080202 | BOLT, M8X 20 PLATED | 3 | | | | | | | |
| 31 | 1 | 124160-39140 | BOLT, PIPE JOINT M10 | 1 | | | | | | | |
| 32 | 1 | 119810-39200 | PIPE ASSY, OIL | 1 | | | | | | | |
| 36 | 1 | 124550-59820 | BOLT, PIPE JOINT M8 | 1 | | | | | | | |
| 37 | 1 | 22190-080002 | WASHER, SEAL 6 | 2 | | | | | | | |
| 38 | 1 | 23414-100000 | GASKET, 10X1.0 | 2 | | | | | | | A |
| 39 | 1 | 124160-39450 | SWITCH, 0.5KG | 1 | | | | | | | |

Remarks
(A) THESE PART ARE ALSO SOLD BY
FIG 17.REF NO.1
(GASKET SET.P/# 719910-92610).

(A)=3TNE78A-B1

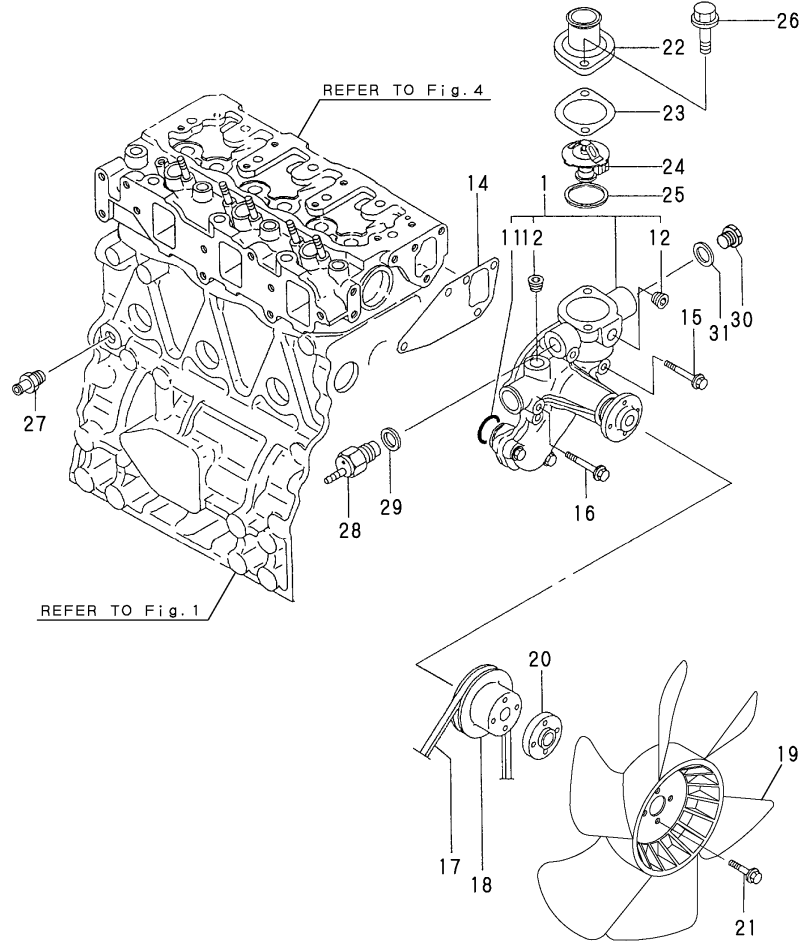
(B)=

(C)=

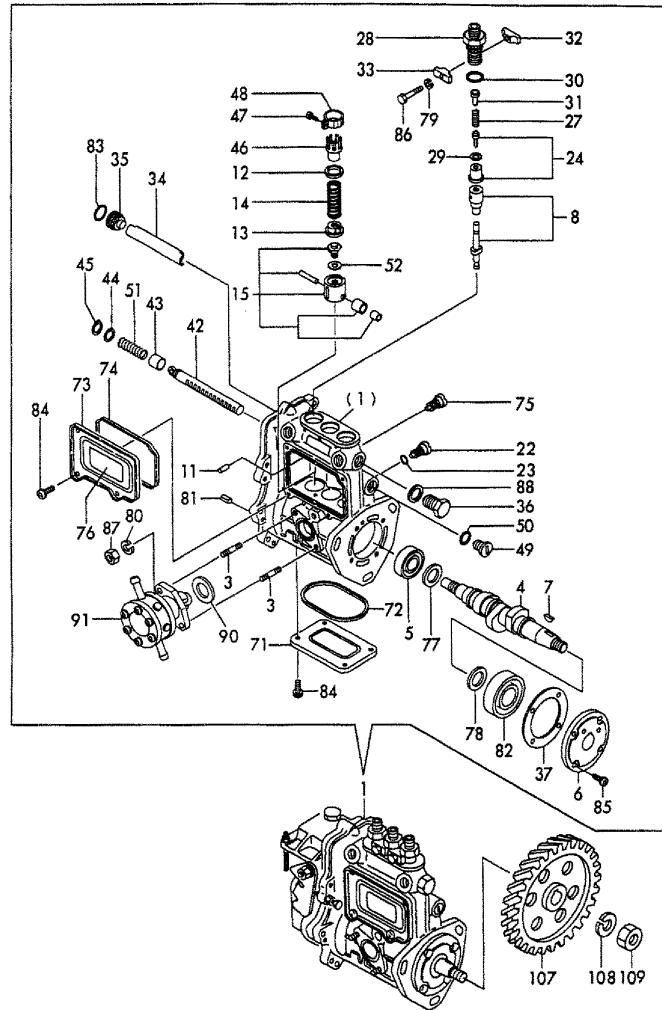
(D)=

(E)=

(F)=



| No. | Lev. | Parts No. | Description | Q'ty | | | | | | I | R |
|------|------|--------------|----------------------|------|-----|-----|-----|-----|-----|---|---|
| | | | | (A) | (B) | (C) | (D) | (E) | (F) | | |
| 1 | 1 | 119810-42001 | PUMP ASSY, WATER | 1 | | | | | | | |
| 11 | 2 | 129150-42320 | O-RING | 1 | | | | | | | |
| 12 | 2 | 23871-030000 | PLUG, R03 | 2 | | | | | | | |
| 14 | 1 | 129150-42020 | GASKET, WATER PUMP | 1 | | | | | | | |
| 15 | 1 | 26106-080352 | BOLT, M8X 35 PLATED | 1 | | | | | | | |
| 16 | 1 | 26106-080552 | BOLT, M8X 55 PLATED | 3 | | | | | | | |
| 17 | 1 | 25132-003800 | V-BELT, A38 | 1 | | | | | | | |
| 17-1 | 1 | 129211-42290 | V-BELT, A38.5 | 1 | | | | | | | N |
| | | (A=EXXX) | | | | | | | | | |
| 18 | 1 | 129120-42350 | V-PULLEY, 130 | 1 | | | | | | | |
| 19 | 1 | 119831-44740 | FAN, COOLING D322XUC | 1 | | | | | | | |
| 20 | 1 | 124574-44761 | SPACER, FAN | 1 | | | | | | | |
| 21 | 1 | 26014-060252 | BOLT, M6X 25 | 4 | | | | | | | |
| 22 | 1 | 129350-49530 | COVER, THERMOSTAT | 1 | | | | | | | |
| 23 | 1 | 129795-49551 | GASKET | 1 | | | | | | | |
| 24 | 1 | 129155-49800 | THERMOSTAT, 71 | 1 | | | | | | | |
| 25 | 1 | 129150-49811 | GASKET, THERMOSTAT | 1 | | | | | | | |
| 26 | 1 | 26106-080202 | BOLT, M8X 20 PLATED | 2 | | | | | | | |
| 26-1 | 1 | 26106-080222 | BOLT, M8X 22 PLATED | 2 | | | | | | | N |
| | | (A=EXXX) | | | | | | | | | |
| 27 | 1 | 121550-49111 | JOINT, PT1/4 | 1 | | | | | | | |
| 28 | 1 | 121250-44901 | SWITCH, 110 | 1 | | | | | | | |
| 29 | 1 | 124465-44950 | GASKET, 16 | 1 | | | | | | | |
| 30 | 1 | 121450-42450 | PLUG, M16 | 1 | | | | | | | |
| 31 | 1 | 124465-44950 | GASKET, 16 | 1 | | | | | | | |



(A)=3TNE78A-B1

(B)=

(C)=

(D)=

(E)=

(F)=

| No. | Lev. | Parts No. | Description | Q'ty | | | | | | I | R |
|-----|------|--------------|----------------------|------|-----|-----|-----|-----|-----|---|---|
| | | | | (A) | (B) | (C) | (D) | (E) | (F) | | |
| 1 | 1 | 719910-51370 | PUMP ASSY, INJECTION | 1 | | | | | | | 1 |
| 3 | 2 | 129155-51020 | STUD | 2 | | | | | | | |
| 4 | 2 | 119810-51040 | CAMSHAFT | 1 | | | | | | | |
| 5 | 2 | 129155-51050 | BEARING, 17BM001D | 1 | | | | | | | |
| 6 | 2 | 129155-51060 | SUPPORT, CAMSHAFT | 1 | | | | | | | |
| 7 | 2 | 122710-51090 | KEY | 1 | | | | | | | |
| 8 | 2 | 129108-51100 | PLUNGER ASSY | 3 | | | | | | | |
| 11 | 2 | 129155-51140 | PIN | 3 | | | | | | | |
| 12 | 2 | 174307-51170 | RETAINER, SPRING A | 3 | | | | | | | |
| 13 | 2 | 129155-51180 | RETAINER, SPRING | 3 | | | | | | | |
| 14 | 2 | 124950-51190 | SPRING, PLUNGER | 3 | | | | | | | |
| 15 | 2 | 129155-51200 | TAPPET ASSY | 3 | | | | | | | |
| 22 | 2 | 129155-51270 | STOPPER, TAPPET | 3 | | | | | | | |
| 23 | 2 | 129155-51280 | O-RING, S6 | 3 | | | | | | | |
| 24 | 2 | 129505-51300 | VALVE ASSY, DELIVERY | 3 | | | | | | | |
| 27 | 2 | 129155-51320 | SPRING, DELIVERY | 3 | | | | | | | |
| 28 | 2 | 129155-51340 | RETAINER | 3 | | | | | | | |
| 29 | 2 | 124550-51350 | GASKET, DELIVERY | 3 | | | | | | | |
| 30 | 2 | 124550-51370 | O-RING | 3 | | | | | | | |
| 31 | 2 | 129155-51370 | STOPPER, VALVE | 3 | | | | | | | |
| 32 | 2 | 129155-51380 | STOPPER | 2 | | | | | | | |
| 33 | 2 | 129155-51390 | STOPPER | 2 | | | | | | | |
| 34 | 2 | 129155-51400 | DEFLECTOR | 1 | | | | | | | |
| 35 | 2 | 129155-51410 | BOLT | 1 | | | | | | | |
| 36 | 2 | 129155-51420 | PLUG, M16 | 1 | | | | | | | |
| 37 | 2 | 129155-51450 | SHIM SET, ADJUSTING | 1 | | | | | | | |
| 42 | 2 | 129155-51500 | RACK, CONTROL | 1 | | | | | | | |
| 43 | 2 | 129155-51521 | BUSH, RACK | 1 | | | | | | | |
| 44 | 2 | 129155-51530 | SPACER | 1 | | | | | | | |
| 45 | 2 | 129155-51540 | CIRCLIP | 1 | | | | | | | |
| 46 | 2 | 129155-51550 | PINION, CONTROL | 3 | | | | | | | |
| 47 | 2 | 122117-51560 | SCREW | 3 | | | | | | | |
| 48 | 2 | 174307-51560 | PINION | 3 | | | | | | | |
| 49 | 2 | 129155-51570 | PLUG, M12 | 1 | | | | | | | |
| 50 | 2 | 129155-51580 | O-RING | 1 | | | | | | | |
| 51 | 2 | 129155-51591 | SPRING, RACK | 1 | | | | | | | |
| 52 | 2 | 129155-51600 | SHIM SET, ADJUSTING | 3 | | | | | | | |
| 71 | 2 | 129155-51700 | COVER | 1 | | | | | | | |
| 72 | 2 | 129155-51710 | GASKET | 1 | | | | | | | |
| 73 | 2 | 129155-51750 | COVER | 1 | | | | | | | |
| 74 | 2 | 129155-51760 | GASKET | 1 | | | | | | | |
| 75 | 2 | 129155-51790 | STOOPER, RACK | 1 | | | | | | | |
| 76 | 2 | 129156-51910 | LABEL, CAUTION | 1 | | | | | | | |
| 77 | 2 | 129155-51930 | SPACER, T=3.25 | 1 | | | | | | | |
| 78 | 2 | 129155-51940 | SPACER, T=1.5 | 1 | | | | | | | |
| 79 | 2 | 22217-050000 | WASHER, SPRING 5 | 2 | | | | | | | |
| 80 | 2 | 22217-060000 | WASHER, SPRING 6 | 2 | | | | | | | |
| 81 | 2 | 22351-050010 | PIN, SPRING 5.0X10 | 2 | | | | | | | |
| 82 | 2 | 24101-063034 | BEARING, BALL 6303 | 1 | | | | | | | |
| 83 | 2 | 24341-000160 | O-RING, 1AS16.0 | 1 | | | | | | | |
| 84 | 2 | 26022-050102 | SCREW, M5X10 | 8 | | | | | | | |

Remarks

(1) GOVERNOR ASSY(FIG.12) IS INCORPORATED IN THIS FOP.CMP (REF.NO.1).
 (A) THESE PART ARE ALSO SOLD BY FIG 17.REF NO.1
 (GASKET SET.P/# 719910-92610).

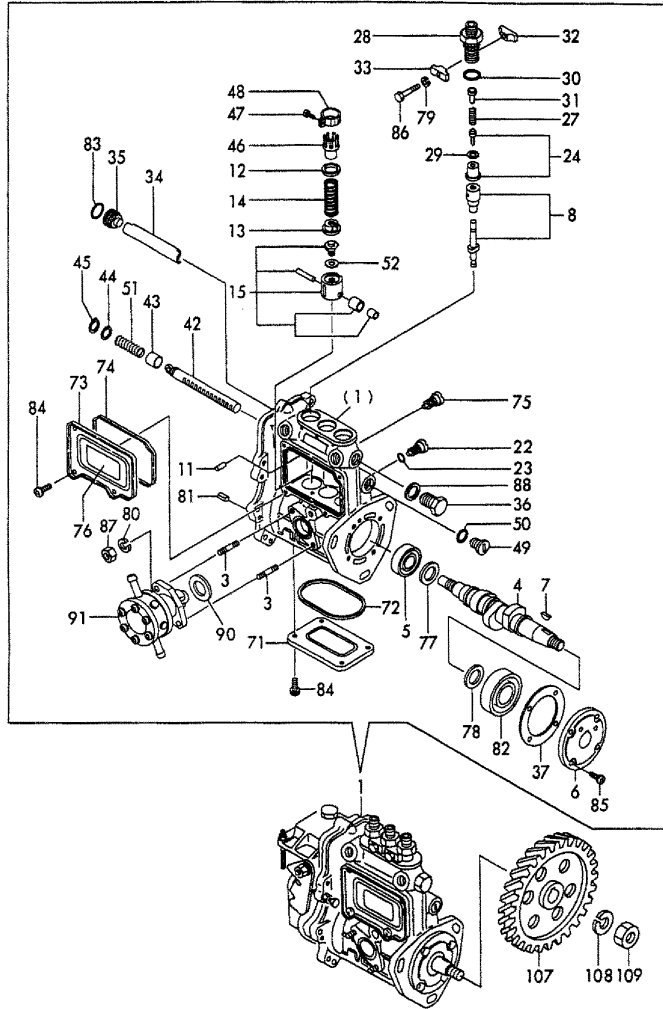
N:Old $\frac{Yes}{No}$ New, Q:Old $\frac{No}{Yes}$ New, R:Old $\frac{Yes}{No}$ New, S:Old $\frac{No}{Yes}$ New, W:Add, Z:Discontinued, F:Interchangeable by set, K:Q'ty Change

++ CONTINUE ++

Copyright (C) YANMAR CO., LTD. All Rights Reserved.

(A)=3TNE78A-B1
(B)=
(C)=

(D)=
(E)=
(F)=



| No. | Lev. | Parts No. | Description | Q'ty | | | | | | I | R |
|-----|------|--------------|----------------------|------|-----|-----|-----|-----|-----|---|---|
| | | | | (A) | (B) | (C) | (D) | (E) | (F) | | |
| 85 | 2 | 26022-060162 | SCREW, M6X16 | 4 | | | | | | | |
| 86 | 2 | 26116-050302 | BOLT, M5X 30 PLATED | 2 | | | | | | | |
| 87 | 2 | 26716-060002 | NUT, M6 | 2 | | | | | | | |
| 88 | 2 | 22190-160002 | WASHER, SEAL 16 | 1 | | | | | | | |
| 90 | 2 | 129155-52050 | GASKET | 1 | | | | | | | A |
| 91 | 2 | 129100-52100 | PUMP ASSY, FUEL FEED | 1 | | | | | | | |
| 107 | 1 | 129150-25900 | GEAR, PUMP | 1 | | | | | | | |
| 108 | 1 | 22217-120000 | WASHER, SPRING 12 | 1 | | | | | | | |
| 109 | 1 | 26716-120002 | NUT, M12 | 1 | | | | | | | |

Remarks
 (1) GOVERNOR ASSY(FIG.12) IS INCORPORATED IN THIS FOP.CMP (REF.NO.1).
 (A) THESE PART ARE ALSO SOLD BY FIG 17.REF NO.1 (GASKET SET.P/# 719910-92610).

(A)=3TNE78A-B1

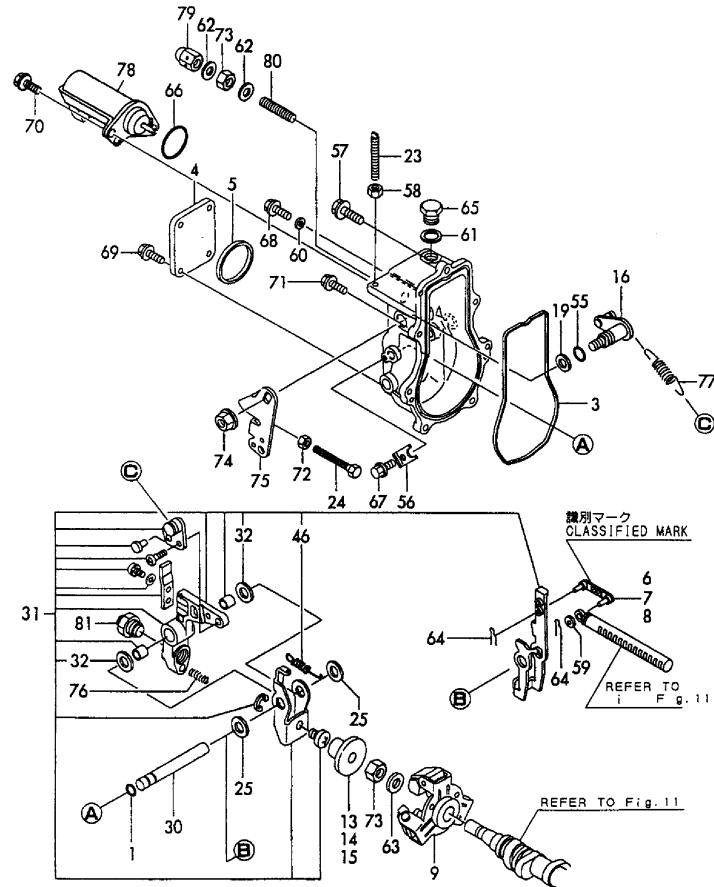
(B)=

(C)=

(D)=

(E)=

(F)=



| No. | Lev. | Parts No. | Description | Qty | | | | | | I | R |
|--------------|------|--------------|-----------------------|-----|-----|-----|-----|-----|-----|---|---|
| | | | | (A) | (B) | (C) | (D) | (E) | (F) | | |
| 1 | 2 | 129155-51280 | O-RING, S6 | 1 | | | | | | | |
| 3 | 2 | 129052-61050 | GASKET | 1 | | | | | | | |
| 4 | 2 | 129052-61060 | COVER, GOVERNOR CASE | 1 | | | | | | | |
| 5 | 2 | 129052-61070 | GASKET | 1 | | | | | | | |
| 6 | 2 | 129155-61120 | LINK, L=30 MARK 0 | 1 | | | | | | | 1 |
| 7 | 2 | 129155-61130 | LINK, L=31 MARK 1 | 1 | | | | | | | 1 |
| 8 | 2 | 129155-61140 | LINK, L=30.5 MARK 05 | 1 | | | | | | | 1 |
| 9 | 2 | 129155-61201 | WEIGHT ASSY, GOVERNOR | 1 | | | | | | | |
| 13 | 2 | 129155-61341 | SLEEVE | 1 | | | | | | | 2 |
| 14 | 2 | 129155-61350 | SLEEVE, L=24.9 | 1 | | | | | | | 2 |
| 15 | 2 | 129155-61360 | SLEEVE, L=25.2 | 1 | | | | | | | 2 |
| 16 | 2 | 129100-61400 | SHAFT ASSY | 1 | | | | | | | |
| 19 | 2 | 129155-61430 | SPACER | 1 | | | | | | | |
| 23 | 2 | 129155-61450 | BOLT, LIMITER | 1 | | | | | | | |
| 24 | 2 | 129155-61460 | BOLT, IDLE | 1 | | | | | | | |
| 25 | 2 | 129155-61480 | SPACER ASSY | 2 | | | | | | | |
| 30 | 2 | 129052-61390 | SHAFT | 1 | | | | | | | |
| 31 | 2 | 129052-61500 | LEVER ASSY, GOVERNOR | 1 | | | | | | | |
| 32 | 3 | 174307-51700 | SHIM SET | 2 | | | | | | | |
| 46 | 3 | 129052-61540 | SPRING, SET | 1 | | | | | | | |
| 55 | 2 | 129155-61830 | O-RING, S10 | 1 | | | | | | | |
| 56 | 2 | 119660-61901 | RETAINER, SHAFT | 1 | | | | | | | |
| 57 | 2 | 129155-61950 | BOLT | 1 | | | | | | | |
| 58 | 2 | 124550-66370 | NUT, M6 | 1 | | | | | | | |
| 59 | 2 | 22117-040000 | WASHER, 4 | 1 | | | | | | | |
| 60 | 2 | 22190-060002 | WASHER, SEAL 6 | 1 | | | | | | | |
| 60-1 | 2 | 22190-060003 | SEAL WASER 6 | 1 | | | | | | | R |
| (A=E/#18962) | | | | | | | | | | | |
| 61 | 2 | 22190-100002 | WASHER, SEAL 10 | 1 | | | | | | | |
| 62 | 2 | 22190-120002 | WASHER, SEAL 12 | 2 | | | | | | | |
| 63 | 2 | 22287-120000 | WASHER, 12 | 1 | | | | | | | |
| 64 | 2 | 22372-040000 | PIN, SNAP 4 | 2 | | | | | | | |
| 65 | 2 | 23887-100002 | PLUG, 10 | 1 | | | | | | | |
| 66 | 2 | 24341-000280 | O-RING, 1AS28.0 | 1 | | | | | | | |
| 67 | 2 | 26106-060102 | BOLT, M6X 10 PLATED | 1 | | | | | | | |
| 68 | 2 | 26106-060102 | BOLT, M6X 10 PLATED | 1 | | | | | | | |
| 69 | 2 | 26106-060102 | BOLT, M6X 10 PLATED | 4 | | | | | | | |
| 70 | 2 | 26106-060142 | BOLT, M6X 14 PLATED | 2 | | | | | | | |
| 71 | 2 | 26106-060202 | BOLT, M6X 20 PLATED | 6 | | | | | | | |
| 72 | 2 | 26756-060002 | NUT, LOCK M6 | 1 | | | | | | | |
| 73 | 2 | 26776-120002 | NUT, LOCK M12 | 2 | | | | | | | |
| 74 | 2 | 26366-080002 | NUT, M8 | 1 | | | | | | | |
| 75 | 2 | 129100-61440 | LEVER, CONTROL | 1 | | | | | | | |
| 76 | 2 | 129100-61650 | SPRING, CONTROLLER | 1 | | | | | | | |
| 77 | 2 | 129489-61700 | SPRING, GOVERNOR | 1 | | | | | | | |
| 78 | 2 | 119233-77951 | SOLENOID | 1 | | | | | | | |
| 79 | 2 | 26687-120002 | NUT, CAP M12 | 1 | | | | | | | |
| 80 | 2 | 129155-61470 | BOLT, CONTROL | 1 | | | | | | | |
| 81 | 2 | 129132-61550 | ANGLEICH ASSY | 1 | | | | | | | |

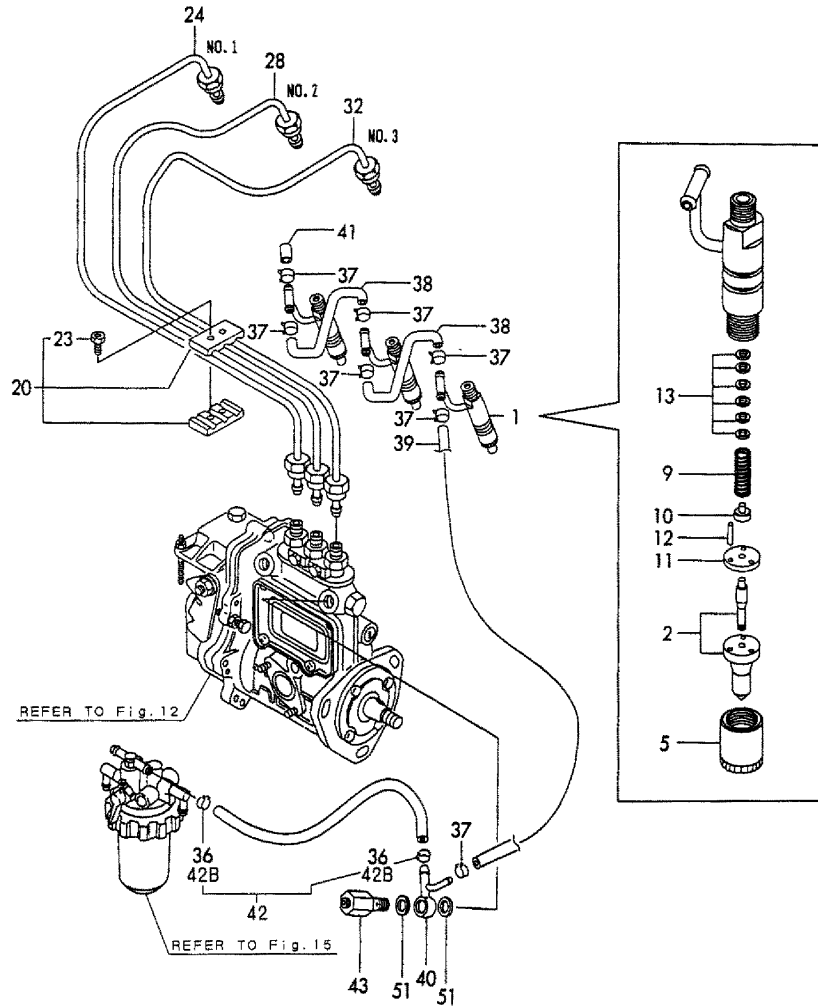
Remarks

(1) SELECTIVE PARTS: CERTAIN THE CLASSIFICATION MARK, THEN PLACE YOUR ORDER.(REFER TO ILLUSTRATION)

(2) SELECTIVE PARTS.

(A)=3TNE78A-B1
(B)=
(C)=

(D)=
(E)=
(F)=



| No. | Lev. | Parts No. | Description | Q'ty | | | | | | I | R |
|--------------|------|--------------|----------------------|------|-----|-----|-----|-----|-----|---|---|
| | | | | (A) | (B) | (C) | (D) | (E) | (F) | | |
| 1 | 1 | 719810-53100 | VALVE ASSY,INJECTION | 3 | | | | | | | |
| 2 | 2 | 119810-53000 | VALVE ASSY,INJECTION | 3 | | | | | | | |
| 5 | 2 | 114250-53080 | NUT, NOZZLE D16.95 | 3 | | | | | | | |
| 9 | 2 | 114250-53120 | SPRING, NOZZLE | 3 | | | | | | | |
| 10 | 2 | 114250-53130 | SEAT, SPRING | 3 | | | | | | | |
| 11 | 2 | 114250-53140 | PLATE | 3 | | | | | | | |
| 12 | 2 | 114250-53210 | PIN | 6 | | | | | | | |
| 13 | 2 | 114250-53400 | SHIM SET | 3 | | | | | | | |
| 20 | 1 | 129150-59120 | RETAINER, PIPE | 1 | | | | | | | |
| 23 | 2 | 129150-59131 | BOLT, M4X14 | 2 | | | | | | | |
| 24 | 1 | 119810-59810 | PIPE ASSY, INJECTION | 1 | | | | | | | |
| 28 | 1 | 119810-59820 | PIPE ASSY, INJECTION | 1 | | | | | | | |
| 32 | 1 | 119810-59830 | PIPE ASSY, INJECTION | 1 | | | | | | | |
| 36 | 1 | 124766-59050 | CLIP, HOSE 12 | 2 | | | | | | | Z |
| (A=E/#18962) | | | | | | | | | | | |
| 37 | 1 | 124066-59100 | CLIP, HOSE 8 | 7 | | | | | | | |
| 38 | 1 | 121250-59550 | PIPE, FUEL D8X120 | 2 | | | | | | | |
| 39 | 1 | 119840-59560 | PIPE, FUEL RETURN | 1 | | | | | | | |
| 40 | 1 | 119840-59570 | JOINT | 1 | | | | | | | |
| 41 | 1 | 129150-59580 | CAP | 1 | | | | | | | |
| 42 | 1 | 129210-59130 | PIPE ASSY, FUEL | 1 | | | | | | | W |
| (A=E/#18962) | | | | | | | | | | | |
| 42B | 2 | 124766-59050 | CLIP, HOSE 12 | 2 | | | | | | | W |
| (A=E/#18962) | | | | | | | | | | | |
| 43 | 1 | 129100-59951 | VALVE ASSY, CHECK | 1 | | | | | | | |
| 51 | 1 | 23414-120000 | GASKET, 12X1.0 | 2 | | | | | | | |

(A)=3TNE78A-B1

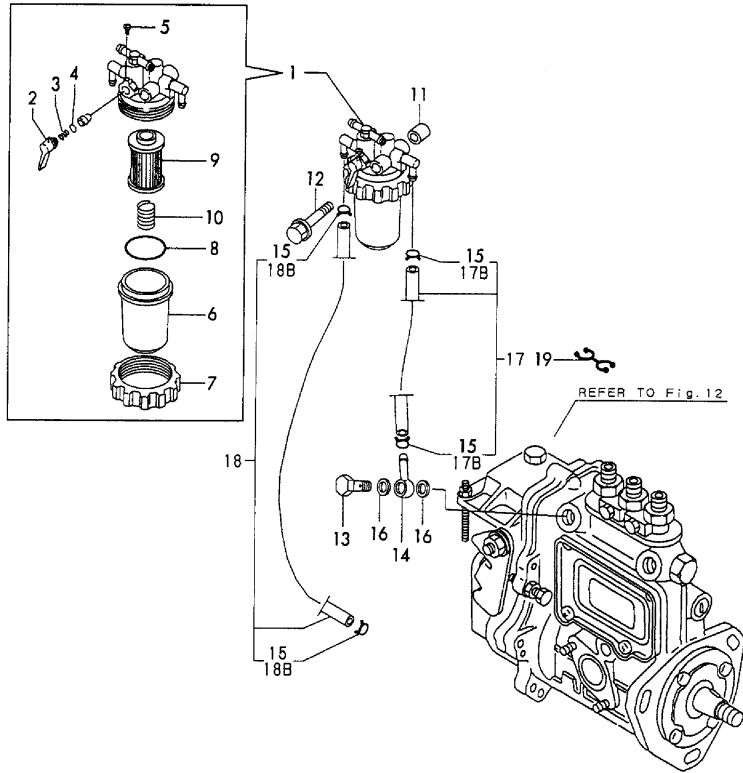
(B)=

(C)=

(D)=

(E)=

(F)=



| No. | Lev. | Parts No. | Description | Qty | | | | | | I | R |
|-----|------|--------------|-------------------|-----|-----|-----|-----|-----|-----|---|---|
| | | | | (A) | (B) | (C) | (D) | (E) | (F) | | |
| 1 | 1 | 119833-55620 | FILTER ASSY, FUEL | 1 | | | | | | | |
| 2 | 2 | 119810-55340 | LEVER | 1 | | | | | | | |
| 3 | 2 | 104200-55330 | SPRING, VALVE | 1 | | | | | | | |
| 4 | 2 | 24311-240100 | O-RING, 1AP10A | 1 | | | | | | | |
| 5 | 2 | 104200-55750 | SCREW, M4 | 1 | | | | | | | |
| 6 | 2 | 121254-55510 | COVER | 1 | | | | | | | |
| 7 | 2 | 110250-55610 | RING, RETAINING | 1 | | | | | | | |
| 8 | 2 | 102103-55520 | O-RING | 1 | | | | | | | |
| 9 | 2 | 119810-55650 | ELEMENT | 1 | | | | | | | |
| 10 | 2 | 121250-55620 | SPRING | 1 | | | | | | | |
| 11 | 1 | 129411-55690 | SPACER | 1 | | | | | | | |
| 12 | 1 | 26014-080852 | BOLT, M8X 85 | 1 | | | | | | | |
| 13 | 1 | 103854-39140 | BOLT, PIPE JOINT | 1 | | | | | | | |
| 14 | 1 | 101304-59020 | JOINT, PIPE 12 | 1 | | | | | | | |
| 15 | 1 | 124766-59050 | CLIP, HOSE 12 | 4 | | | | | | | Z |
| | | (A=E/#18962) | | | | | | | | | |
| 16 | 1 | 22190-120002 | WASHER, SEAL 12 | 2 | | | | | | | A |
| 17 | 1 | 129210-59030 | PIPE ASSY, FUEL | 1 | | | | | | | W |
| | | (A=E/#18962) | | | | | | | | | |
| 17B | 2 | 124766-59050 | CLIP, HOSE 12 | 2 | | | | | | | W |
| | | (A=E/#18962) | | | | | | | | | |
| 18 | 1 | 129210-59130 | PIPE ASSY, FUEL | 1 | | | | | | | W |
| | | (A=E/#18962) | | | | | | | | | |
| 18B | 2 | 124766-59050 | CLIP, HOSE 12 | 2 | | | | | | | W |
| | | (A=E/#18962) | | | | | | | | | |
| 19 | 1 | 119831-59100 | LOCK | 1 | | | | | | | Z |
| | | (A=EXXX) | | | | | | | | | |

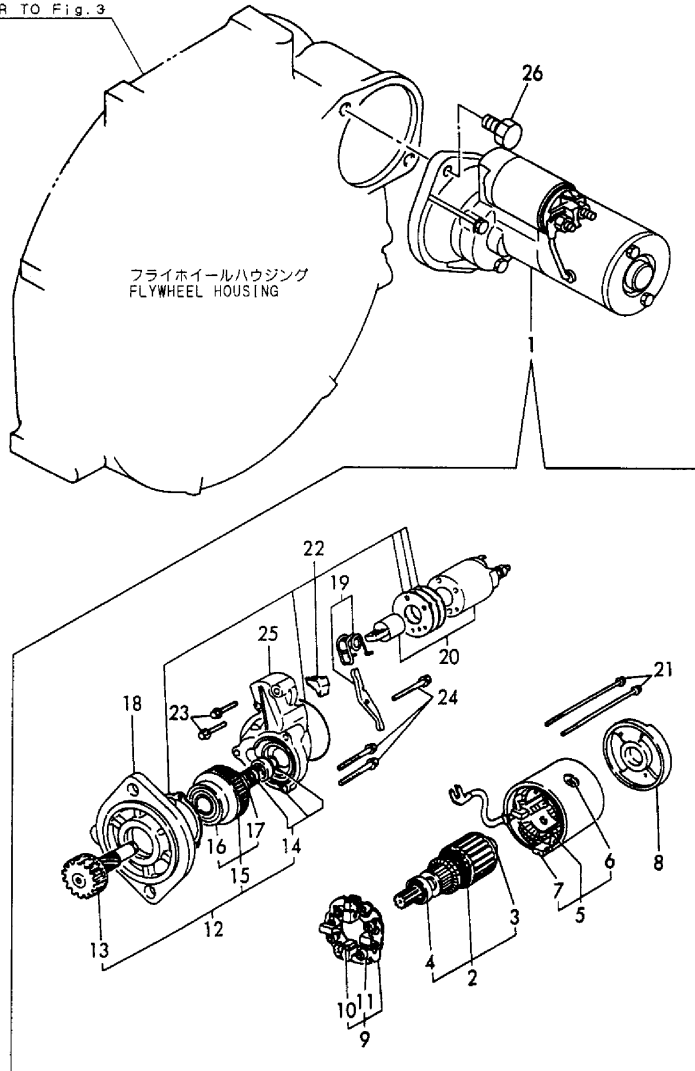
Remarks

(A) THESE PART ARE ALSO SOLD BY
 FIG 17.REF NO.1
 (GASKET SET.P/# 719910-92610).

(A)=3TNE78A-B1
(B)=
(C)=

(D)=
(E)=
(F)=

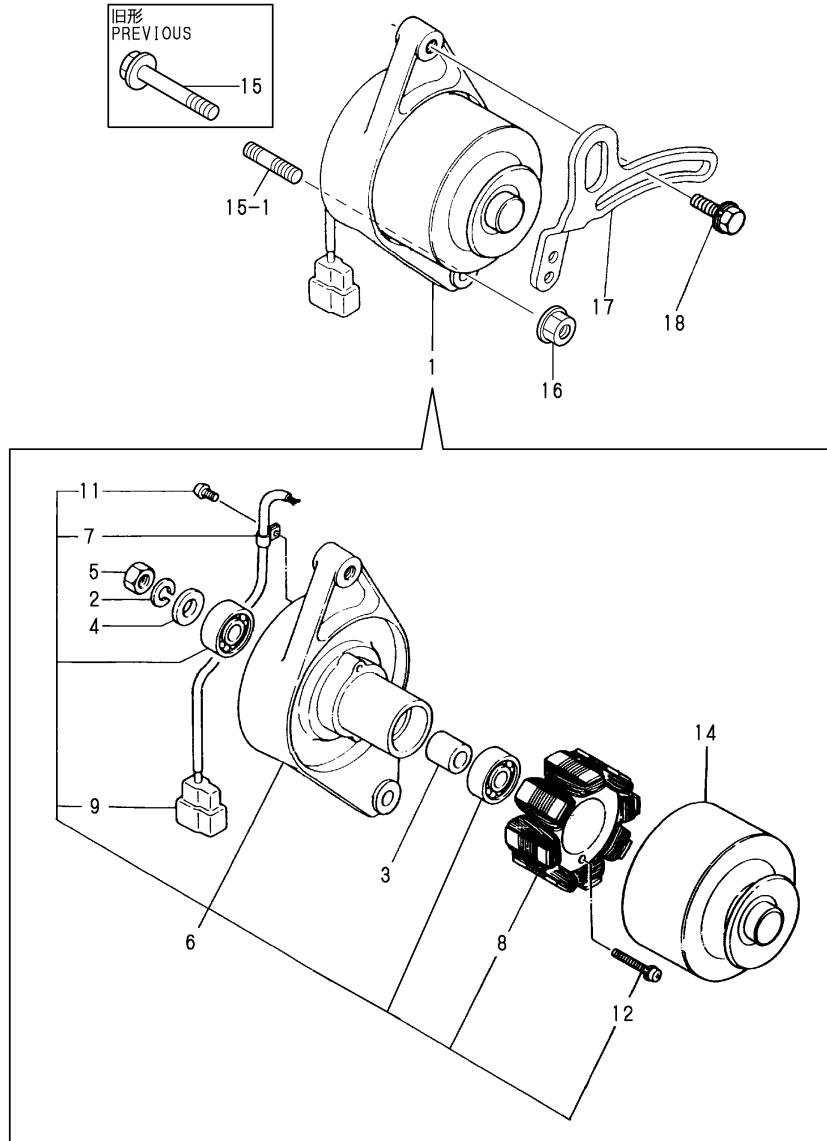
REFER TO Fig. 3



| No. | Lev. | Parts No. | Description | Qty | | | | | | I | R |
|-----|------|--------------|----------------------|-----|-----|-----|-----|-----|-----|---|---|
| | | | | (A) | (B) | (C) | (D) | (E) | (F) | | |
| 1 | 1 | 124976-77011 | STARTER, S114-349A | 1 | | | | | | | |
| 2 | 2 | X211451007 | ARMATURE ASSY | 1 | | | | | | | |
| 3 | 3 | 171008-77410 | BEARING | 1 | | | | | | | |
| 4 | 3 | 171008-77420 | BEARING | 1 | | | | | | | |
| 5 | 2 | X211472106 | COIL ASSY, FIELD | 1 | | | | | | | |
| 6 | 3 | 171008-77450 | SCREW | 4 | | | | | | | |
| 7 | 3 | 171008-77460 | BRUSH (+) | 2 | | | | | | | |
| 8 | 2 | 171008-77500 | COVER, REAR | 1 | | | | | | | |
| 9 | 2 | 171008-77470 | HOLDER ASSY, BRUSH | 1 | | | | | | | |
| 10 | 3 | 171008-77480 | BRUSH (-) | 2 | | | | | | | |
| 11 | 3 | 171008-77490 | SPRING, BRUSH | 4 | | | | | | | |
| 12 | 2 | X211415505 | CLUTCH ASSY | 1 | | | | | | | |
| 13 | 3 | 171008-77660 | SHAFT | 1 | | | | | | | |
| 14 | 3 | 171008-77670 | STOPPER SET | 1 | | | | | | | |
| 15 | 3 | X211425505 | CLUTCH ASSY | 1 | | | | | | | |
| 16 | 4 | 171008-77730 | BEARING, BALL | 1 | | | | | | | |
| 17 | 4 | 171008-77740 | BEARING | 1 | | | | | | | |
| 18 | 2 | 171008-77510 | CASE, GEAR | 1 | | | | | | | |
| 19 | 2 | X21146012 | LEVER, SHIFT | 1 | | | | | | | |
| 20 | 2 | 171008-55730 | SWITCH ASSY | 1 | | | | | | | |
| 21 | 2 | 124195-77770 | BOLT, THROUGH | 2 | | | | | | | |
| 22 | 2 | 171008-77571 | COVER KIT, DUST | 1 | | | | | | | |
| 23 | 2 | 26106-060322 | BOLT, M6X 32 PLATED | 2 | | | | | | | |
| 24 | 2 | 26106-060402 | BOLT, M6X 40 PLATED | 3 | | | | | | | |
| 25 | 2 | X211414501 | HOUSING, CENTER | 1 | | | | | | | |
| 26 | 1 | 26116-120252 | BOLT, M12X 25 PLATED | 2 | | | | | | | |

(A)=3TNE78A-B1
(B)=
(C)=

(D)=
(E)=
(F)=



| No. | Lev. | Parts No. | Description | Q'ty | | | | | | I | R |
|--------------|------|--------------|----------------------|------|-----|-----|-----|-----|-----|---|---|
| | | | | (A) | (B) | (C) | (D) | (E) | (F) | | |
| 1 | 1 | 129150-77202 | GENERATOR | 1 | | | | | | | |
| 1-1 | 1 | 129150-77203 | DINAMO ASSY | 1 | | | | | | | N |
| (A=E/#43376) | | | | | | | | | | | |
| 2 | 2 | 129188-77200 | WASHER, SPRING | 1 | | | | | | | |
| 3 | 2 | 129118-77230 | COLLAR | 1 | | | | | | | |
| 4 | 2 | 129118-77240 | WASHER, 10 | 1 | | | | | | | |
| 5 | 2 | 129118-77250 | NUT | 1 | | | | | | | |
| 6 | 2 | 129150-77210 | PLATE ASSY | 1 | | | | | | | |
| 7 | 3 | 129118-77220 | CLAMP | 1 | | | | | | | |
| 8 | 3 | 129150-77260 | STATOR ASSY | 1 | | | | | | | |
| 9 | 3 | XM178780000 | COUPLER | 1 | | | | | | | |
| 11 | 3 | 129118-77260 | SCREW | 1 | | | | | | | |
| 12 | 3 | 129150-77270 | SCREW | 2 | | | | | | | |
| 14 | 2 | 129150-77230 | FLYWHEEL ASSY | 1 | | | | | | | |
| 14-1 | 2 | 129150-77280 | FLYWHEEL ASSY | 1 | | | | | | | N |
| (A=E/#43376) | | | | | | | | | | | |
| 15 | 1 | 26106-100652 | BOLT, M10X 65 PLATED | 1 | | | | | | | |
| 15-1 | 1 | 129795-01900 | BOLT, STUD M10X33 | 1 | | | | | | | S |
| (A=E/#13592) | | | | | | | | | | | |
| 16 | 1 | 26366-100002 | NUT, M10 | 1 | | | | | | | |
| 17 | 1 | 119867-77331 | ADJUSTER | 1 | | | | | | | |
| 18 | 1 | 26014-080252 | BOLT, M8X 25 | 1 | | | | | | | |
| 18-1 | 1 | 119810-77340 | BOLT, ADJUST L=30 | 1 | | | | | | | N |
| (A=E/#14543) | | | | | | | | | | | |

(A)=3TNE78A-B1

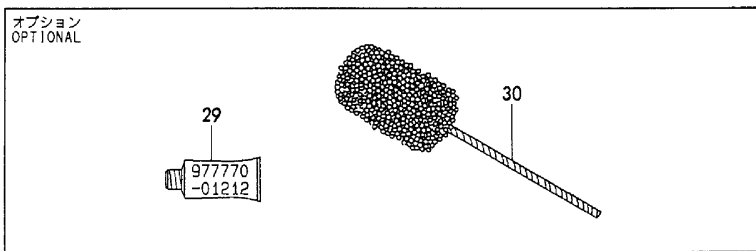
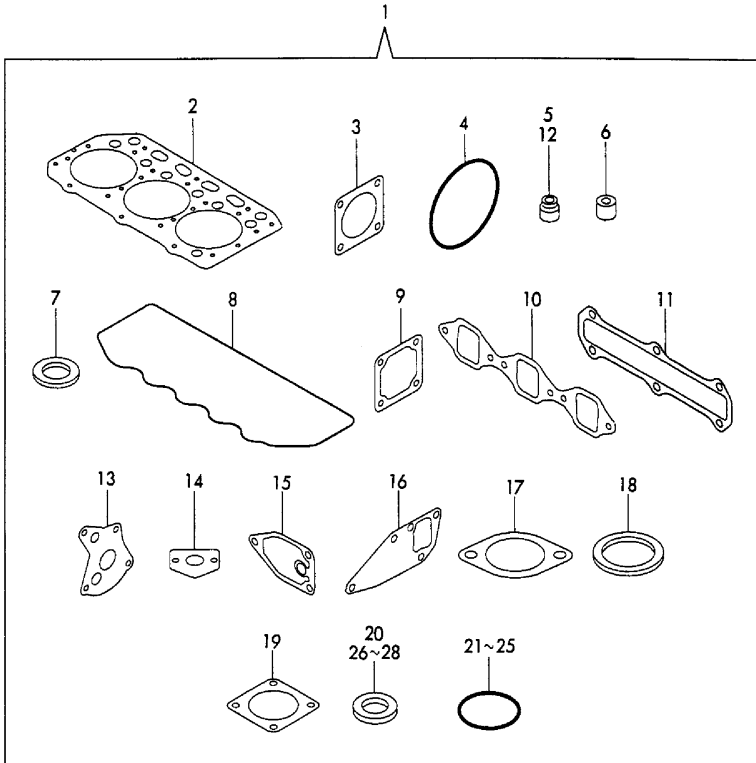
(B)=

(C)=

(D)=

(E)=

(F)=



| No. | Lev. | Parts No. | Description | Q'ty | | | | | | I | R |
|-----|------|--------------|--------------------|------|-----|-----|-----|-----|-----|---|---|
| | | | | (A) | (B) | (C) | (D) | (E) | (F) | | |
| 1 | 1 | 719910-92610 | GASKET SET | 1 | | | | | | | 1 |
| 2 | 2 | 119818-01330 | GASKET, HEAD | 1 | | | | | | | |
| 3 | 2 | 124240-01883 | GASKET | 1 | | | | | | | |
| 4 | 2 | 121850-51960 | O-RING | 1 | | | | | | | |
| 5 | 2 | 124160-11340 | SEAL, VALVE STEM | 3 | | | | | | | |
| 6 | 2 | 119625-11871 | PROTECTOR, NOZZLE | 3 | | | | | | | |
| 6-1 | 2 | 119625-11870 | PROTECTOR, NOZZLE | 3 | | | | | | | N |
| | | | (A=E/#13592) | | | | | | | | |
| 7 | 2 | 119625-11880 | SEAT, NOZZLE | 3 | | | | | | | |
| 8 | 2 | 119865-11310 | GASKET, BONNET | 1 | | | | | | | |
| 9 | 2 | 129150-77511 | GASKET | 1 | | | | | | | |
| 10 | 2 | 119810-12111 | GASKET, MANIFOLD | 1 | | | | | | | |
| 11 | 2 | 119813-13110 | GASKET | 1 | | | | | | | |
| 12 | 2 | 124950-11340 | SEAL, VALVE STEM | 3 | | | | | | | |
| 13 | 2 | 129150-32020 | GASKET, PUMP | 1 | | | | | | | |
| 14 | 2 | 129150-35041 | GASKET | 1 | | | | | | | |
| 15 | 2 | 129150-35111 | GASKET | 1 | | | | | | | |
| 16 | 2 | 129150-42020 | GASKET, WATER PUMP | 1 | | | | | | | |
| 17 | 2 | 129795-49551 | GASKET | 1 | | | | | | | |
| 18 | 2 | 129150-49811 | GASKET, THERMOSTAT | 1 | | | | | | | |
| 19 | 2 | 124701-11911 | GASKET, SILENCER | 1 | | | | | | | |
| 20 | 2 | 129155-52050 | GASKET | 1 | | | | | | | |
| 21 | 2 | 24311-000120 | O-RING, 1AP12.0 | 3 | | | | | | | |
| 22 | 2 | 24311-000160 | O-RING, 1AP16.0 | 3 | | | | | | | |
| 23 | 2 | 24311-000320 | O-RING, 1AP32.0 | 2 | | | | | | | |
| 24 | 2 | 24341-000500 | O-RING, 1AS50.0 | 1 | | | | | | | |
| 25 | 2 | 24341-000240 | O-RING, 1AS24.0 | 1 | | | | | | | |
| 26 | 2 | 23414-100000 | GASKET, 10X1.0 | 2 | | | | | | | |
| 27 | 2 | 124465-44950 | GASKET, 16 | 2 | | | | | | | |
| 28 | 2 | 22190-120002 | WASHER, SEAL 12 | 2 | | | | | | | |
| 29 | 1 | 977770-01212 | GASKET, LIQUID | 1 | | | | | | | 1 |
| 30 | 1 | 129400-92420 | HONE | 1 | | | | | | | 1 |

Remarks
(1) OPTIONAL PART.



Parts No. Index

| Parts No. | Fig. No. | Ref. No. |
|--------------|----------|----------|
| 101304-59020 | 14 | 14 |
| 102103-55520 | 14 | 8 |
| 103854-39140 | 14 | 13 |
| 104200-55330 | 14 | 3 |
| 104200-55750 | 14 | 5 |
| 104211-11180 | 4 | 14 |
| 104211-11370 | 4 | 18 |
| 110250-55610 | 14 | 7 |
| 114250-53080 | 13 | 5 |
| 114250-53120 | 13 | 9 |
| 114250-53130 | 13 | 10 |
| 114250-53140 | 13 | 11 |
| 114250-53210 | 13 | 12 |
| 114250-53400 | 13 | 13 |
| 119131-18320 | 6 | 5 -1 |
| 119233-77951 | 12 | 78 |
| 119620-01750 | 3 | 3 |
| 119620-02020 | 1 | 12 |
| 119625-11870 | 4 | 32 -1 |
| | 17 | 6 -1 |
| 119625-11871 | 4 | 32 |
| | 17 | 6 |
| 119625-11880 | 4 | 33 |
| | 17 | 7 |
| 119625-11900 | 4 | 34 |
| 119632-12560 | 5 | 13 |
| 119632-12590 | 5 | 12 |
| 119640-01640 | 3 | 8 |
| 119640-12580 | 5 | 14 |
| 119660-61901 | 12 | 56 |
| 119810-01200 | 1 | 21 |
| 119810-01730 | 3 | 6 |
| 119810-01780 | 3 | 16 |
| 119810-01790 | 3 | 7 |
| 119810-02800 | 1 | 13 |
| 119810-02870 | 1 | 23 |
| 119810-02930 | 1 | 16 |
| 119810-02940 | 1 | 26 |
| 119810-11100 | 4 | 11 |
| 119810-11110 | 4 | 12 |
| 119810-11120 | 4 | 13 |
| 119810-11240 | 4 | 21 |
| 119810-12111 | 5 | 1 |
| | 17 | 10 |
| 119810-14400 | 7 | 2 |
| 119810-14580 | 7 | 3 |
| 119810-23200 | 8 | 27 |
| 119810-23600 | 8 | 28 |
| 119810-23610 | 8 | 30 |
| 119810-23910 | 8 | 26 |

| Parts No. | Fig. No. | Ref. No. |
|--------------|----------|----------|
| 119810-35401 | 9 | 19 |
| 119810-39200 | 9 | 32 |
| 119810-42001 | 10 | 1 |
| 119810-51040 | 11 | 4 |
| 119810-53000 | 13 | 2 |
| 119810-55340 | 14 | 2 |
| 119810-55650 | 14 | 9 |
| 119810-59810 | 13 | 24 |
| 119810-59820 | 13 | 28 |
| 119810-59830 | 13 | 32 |
| 119810-77340 | 16 | 18 -1 |
| 119812-11700 | 4 | 4 |
| 119812-34800 | 9 | 16 |
| 119813-13100 | 6 | 1 |
| 119813-13110 | 6 | 2 |
| | 17 | 11 |
| 119813-21000 | 8 | 1 |
| 119813-22300 | 8 | 21 |
| 119818-01330 | 1 | 22 |
| | 17 | 2 |
| 119818-22080 | 8 | 15 |
| 119818-22500 | 8 | 17 |
| 119818-22900 | 8 | 32 |
| 119818-22950 | 8 | 34 |
| 119831-12200 | 5 | 4 |
| 119831-12520 | 5 | 5 |
| 119831-12650 | 5 | 6 |
| 119831-13520 | 6 | 10 |
| 119831-44740 | 10 | 19 |
| 119831-59100 | 14 | 19 |
| 119833-55620 | 14 | 1 |
| 119836-13650 | 6 | 8 |
| 119840-59560 | 13 | 39 |
| 119840-59570 | 13 | 40 |
| 119856-03090 | 4 | 1 |
| 119865-11210 | 4 | 20 |
| 119865-11310 | 4 | 44 |
| | 17 | 8 |
| 119865-21600 | 8 | 14 |
| 119867-77331 | 16 | 17 |
| 121023-01550 | 2 | 24 |
| 121111-21501 | 8 | 11 |
| 121250-44901 | 10 | 28 |
| 121250-55620 | 14 | 10 |
| 121250-59550 | 13 | 38 |
| 121254-55510 | 14 | 6 |
| 121450-01560 | 2 | 2 |
| 121450-42450 | 10 | 30 |
| 121465-12510 | 5 | 9 -1 |
| 121465-12541 | 5 | 8 |

| Parts No. | Fig. No. | Ref. No. |
|--------------|----------|----------|
| 121465-12660 | 5 | 7 |
| 121465-12700 | 5 | 8 -1 |
| 121465-12900 | 5 | 9 |
| 121520-34810 | 9 | 17 |
| 121550-49111 | 10 | 27 |
| 121850-21680 | 8 | 10 |
| 121850-51960 | 2 | 11 |
| | 17 | 4 |
| 122117-51560 | 11 | 47 |
| 122710-51090 | 11 | 7 |
| 124060-11800 | 4 | 7 |
| 124064-12561 | 5 | 10 |
| 124064-12680 | 5 | 10 -1 |
| 124064-12690 | 5 | 11 |
| 124066-59100 | 13 | 37 |
| 124160-01751 | 2 | 6 |
| | 4 | 50 |
| 124160-01910 | 1 | 4 |
| | | 20 -1 |
| 124160-11340 | 4 | 16 |
| | 17 | 5 |
| 124160-11360 | 4 | 48 |
| 124160-39140 | 9 | 31 |
| 124160-39450 | 9 | 39 |
| 124195-77770 | 15 | 21 |
| 124240-01871 | 2 | 7 |
| 124240-01883 | 2 | 8 |
| | 17 | 3 |
| 124465-44950 | 10 | 29 |
| | | 31 |
| | 17 | 27 |
| 124550-51350 | 11 | 29 |
| 124550-51370 | 11 | 30 |
| 124550-59820 | 9 | 36 |
| 124550-66370 | 12 | 58 |
| 124574-44761 | 10 | 20 |
| 124701-11911 | 6 | 7 |
| | 17 | 19 |
| 124736-07900 | 4 | 2 |
| 124766-59050 | 13 | 36 |
| | | 42 B |
| | 14 | 15 |
| | | 17 B |
| | | 18 B |
| 124950-11340 | 4 | 17 |
| | 17 | 12 |
| 124950-51190 | 11 | 14 |
| 124976-77011 | 15 | 1 |
| 129001-32001 | 9 | 1 |
| 129001-35300 | 9 | 27 |

| Parts No. | Fig. No. | Ref. No. |
|--------------|----------|----------|
| 129001-91840 | 2 | 22 -1 |
| 129052-61050 | 12 | 3 |
| 129052-61060 | 12 | 4 |
| 129052-61070 | 12 | 5 |
| 129052-61390 | 12 | 30 |
| 129052-61500 | 12 | 31 |
| 129052-61540 | 12 | 46 |
| 129100-01580 | 3 | 1 |
| | | 13 |
| | 8 | 2 |
| 129100-25061 | 7 | 9 |
| 129100-52100 | 11 | 91 |
| 129100-59951 | 13 | 43 |
| 129100-61400 | 12 | 16 |
| 129100-61440 | 12 | 75 |
| 129100-61650 | 12 | 76 |
| 129108-51100 | 11 | 8 |
| 129118-77220 | 16 | 7 |
| 129118-77230 | 16 | 3 |
| 129118-77240 | 16 | 4 |
| 129118-77250 | 16 | 5 |
| 129118-77260 | 16 | 11 |
| 129120-42350 | 10 | 18 |
| 129120-77501 | 5 | 18 |
| 129132-61550 | 12 | 81 |
| 129150-02450 | 7 | 4 |
| 129150-03020 | 4 | 40 |
| 129150-03070 | 4 | 41 |
| 129150-03080 | 4 | 42 |
| 129150-03100 | 2 | 10 |
| 129150-11230 | 4 | 28 |
| 129150-11280 | 4 | 26 |
| 129150-11750 | 4 | 30 |
| 129150-14101 | 7 | 6 |
| 129150-14200 | 7 | 1 |
| 129150-21200 | 8 | 4 |
| 129150-25101 | 7 | 10 |
| 129150-25900 | 11 | 107 |
| 129150-25920 | 7 | 13 |
| 129150-32020 | 9 | 14 |
| | 17 | 13 |
| 129150-35041 | 9 | 18 |
| | 17 | 14 |
| 129150-35101 | 9 | 24 |
| 129150-35111 | 9 | 25 |
| | 17 | 15 |
| 129150-35151 | 9 | 26 |
| 129150-35350 | 9 | 28 |
| 129150-42020 | 10 | 14 |
| | 17 | 16 |



Parts No. Index

| Parts No. | Fig. No. | Ref. No. |
|--------------|----------|----------|
| 129150-42320 | 10 | 11 |
| 129150-49811 | 10 | 25 |
| | 17 | 18 |
| 129150-59120 | 13 | 20 |
| 129150-59131 | 13 | 23 |
| 129150-59580 | 13 | 41 |
| 129150-77202 | 16 | 1 |
| 129150-77203 | 16 | 1 -1 |
| 129150-77210 | 16 | 6 |
| 129150-77230 | 16 | 14 |
| 129150-77260 | 16 | 8 |
| 129150-77270 | 16 | 12 |
| 129150-77280 | 16 | 14 -1 |
| 129150-77511 | 5 | 19 |
| | 17 | 9 |
| 129155-11260 | 4 | 24 |
| 129155-11270 | 4 | 25 |
| 129155-49800 | 10 | 24 |
| 129155-51020 | 11 | 3 |
| 129155-51050 | 11 | 5 |
| 129155-51060 | 11 | 6 |
| 129155-51140 | 11 | 11 |
| 129155-51180 | 11 | 13 |
| 129155-51200 | 11 | 15 |
| 129155-51270 | 11 | 22 |
| 129155-51280 | 11 | 23 |
| | 12 | 1 |
| 129155-51320 | 11 | 27 |
| 129155-51340 | 11 | 28 |
| 129155-51370 | 11 | 31 |
| 129155-51380 | 11 | 32 |
| 129155-51390 | 11 | 33 |
| 129155-51400 | 11 | 34 |
| 129155-51410 | 11 | 35 |
| 129155-51420 | 11 | 36 |
| 129155-51450 | 11 | 37 |
| 129155-51500 | 11 | 42 |
| 129155-51521 | 11 | 43 |
| 129155-51530 | 11 | 44 |
| 129155-51540 | 11 | 45 |
| 129155-51550 | 11 | 46 |
| 129155-51570 | 11 | 49 |
| 129155-51580 | 11 | 50 |
| 129155-51591 | 11 | 51 |
| 129155-51600 | 11 | 52 |
| 129155-51700 | 11 | 71 |
| 129155-51710 | 11 | 72 |
| 129155-51750 | 11 | 73 |
| 129155-51760 | 11 | 74 |
| 129155-51790 | 11 | 75 |

| Parts No. | Fig. No. | Ref. No. |
|--------------|----------|----------|
| 129155-51930 | 11 | 77 |
| 129155-51940 | 11 | 78 |
| 129155-52050 | 11 | 90 |
| | 17 | 20 |
| 129155-61120 | 12 | 6 |
| 129155-61130 | 12 | 7 |
| 129155-61140 | 12 | 8 |
| 129155-61201 | 12 | 9 |
| 129155-61341 | 12 | 13 |
| 129155-61350 | 12 | 14 |
| 129155-61360 | 12 | 15 |
| 129155-61430 | 12 | 19 |
| 129155-61450 | 12 | 23 |
| 129155-61460 | 12 | 24 |
| 129155-61470 | 12 | 80 |
| 129155-61480 | 12 | 25 |
| 129155-61830 | 12 | 55 |
| 129155-61950 | 12 | 57 |
| 129156-51910 | 11 | 76 |
| 129188-77200 | 16 | 2 |
| 129210-59030 | 14 | 17 |
| 129210-59130 | 13 | 42 |
| | 14 | 18 |
| 129211-42290 | 10 | 17 -1 |
| 129350-49530 | 10 | 22 |
| 129400-01520 | 2 | 1 |
| 129400-92420 | 17 | 30 |
| 129411-55690 | 14 | 11 |
| 129486-01670 | 3 | 17 |
| 129489-61700 | 12 | 77 |
| 129505-51300 | 11 | 24 |
| 129612-01600 | 3 | 2 -1 |
| 129792-22400 | 8 | 22 |
| 129795-01800 | 2 | 5 |
| 129795-01900 | 16 | 15 -1 |
| 129795-01950 | 2 | 9 |
| 129795-02411 | 1 | 19 |
| 129795-21661 | 8 | 9 |
| 129795-49551 | 10 | 23 |
| | 17 | 17 |
| 171008-55730 | 15 | 20 |
| 171008-77410 | 15 | 3 |
| 171008-77420 | 15 | 4 |
| 171008-77450 | 15 | 6 |
| 171008-77460 | 15 | 7 |
| 171008-77470 | 15 | 9 |
| 171008-77480 | 15 | 10 |
| 171008-77490 | 15 | 11 |
| 171008-77500 | 15 | 8 |
| 171008-77510 | 15 | 18 |

| Parts No. | Fig. No. | Ref. No. |
|--------------|----------|----------|
| 171008-77571 | 15 | 22 |
| 171008-77660 | 15 | 13 |
| 171008-77670 | 15 | 14 |
| 171008-77730 | 15 | 16 |
| 171008-77740 | 15 | 17 |
| 171051-01921 | 1 | 5 |
| 171301-01600 | 3 | 2 |
| 171301-12701 | 5 | 2 |
| 171301-21650 | 8 | 8 |
| 171325-21590 | 8 | 12 |
| 172125-03950 | 5 | 11 A |
| 174307-51170 | 11 | 12 |
| 174307-51560 | 11 | 48 |
| 174307-51700 | 12 | 32 |
| 194990-22050 | 6 | 3 |
| | | 9 |
| 22117-040000 | 12 | 59 |
| 22190-060002 | 12 | 60 |
| 22190-060003 | 12 | 60 -1 |
| 22190-080002 | 2 | 12 |
| | | 13 |
| | 9 | 37 |
| 22190-100002 | 12 | 61 |
| 22190-120002 | 12 | 62 |
| | 14 | 16 |
| | 17 | 28 |
| 22190-160002 | 11 | 88 |
| 22190-220002 | 3 | 10 |
| 22217-050000 | 11 | 79 |
| 22217-060000 | 11 | 80 |
| 22217-120000 | 11 | 108 |
| 22287-120000 | 12 | 63 |
| 22351-040010 | 8 | 7 |
| 22351-050010 | 11 | 81 |
| 22351-060012 | 4 | 19 |
| 22372-040000 | 12 | 64 |
| 22512-070140 | 7 | 7 |
| | 8 | 5 |
| 23000-060000 | 5 | 17 |
| 23414-100000 | 9 | 38 |
| | 17 | 26 |
| 23414-120000 | 13 | 51 |
| 23871-010000 | 1 | 6 |
| 23871-030000 | 10 | 12 |
| 23887-100002 | 12 | 65 |
| 23887-120002 | 1 | 20 |
| 24101-063034 | 11 | 82 |
| 24311-000120 | 4 | 49 |
| | 17 | 21 |
| 24311-000160 | 2 | 14 |

| Parts No. | Fig. No. | Ref. No. |
|--------------|----------|----------|
| 24311-000160 | 9 | 29 |
| | 17 | 22 |
| 24311-000320 | 2 | 15 |
| | 4 | 51 |
| | 17 | 23 |
| 24311-240100 | 14 | 4 |
| 24341-000160 | 11 | 83 |
| 24341-000240 | 2 | 25 |
| | 17 | 25 |
| 24341-000280 | 12 | 66 |
| 24341-000500 | 4 | 46 |
| | 17 | 24 |
| 25132-003800 | 10 | 17 |
| 26014-060252 | 10 | 21 |
| 26014-080202 | 5 | 15 |
| | 6 | 11 |
| 26014-080252 | 16 | 18 |
| 26014-080852 | 14 | 12 |
| 26022-050102 | 11 | 84 |
| 26022-060162 | 11 | 85 |
| 26106-060102 | 12 | 67 |
| | | 68 |
| | | 69 |
| 26106-060122 | 2 | 26 |
| 26106-060142 | 12 | 70 |
| 26106-060162 | 2 | 26 -1 |
| 26106-060202 | 12 | 71 |
| 26106-060322 | 15 | 23 |
| 26106-060402 | 15 | 24 |
| 26106-080122 | 2 | 16 |
| 26106-080142 | 4 | 3 |
| | 7 | 8 |
| 26106-080162 | 2 | 17 |
| | | 18 |
| | 3 | 11 |
| | 4 | 47 |
| 26106-080202 | 2 | 19 |
| | 9 | 30 |
| | 10 | 26 |
| 26106-080222 | 10 | 26 -1 |
| 26106-080252 | 4 | 35 |
| | 5 | 3 |
| 26106-080352 | 3 | 18 |
| | 5 | 20 |
| | 9 | 23 |
| | 10 | 15 |
| 26106-080452 | 2 | 20 |
| | 3 | 12 |
| | 7 | 14 |
| 26106-080502 | 4 | 36 |



Parts No. Index

| Parts No. | Fig. No. | Ref. No. |
|--------------|----------|----------|
| 26106-080552 | 2 | 21 |
| | 10 | 16 |
| 26106-080602 | 6 | 4 |
| 26106-080852 | 2 | 22 |
| 26106-100652 | 16 | 15 |
| 26116-050302 | 11 | 86 |
| 26116-120252 | 15 | 26 |
| 26206-100252 | 3 | 4 |
| 26206-100302 | 3 | 5 |
| 26216-060302 | 4 | 9 |
| 26216-080222 | 6 | 5 |
| 26216-080602 | 6 | 6 |
| 26226-080182 | 4 | 31 |
| 26366-060002 | 4 | 37 |
| 26366-080002 | 2 | 23 |
| | 5 | 16 |
| | 6 | 3 -1 |
| | | 9 -1 |
| | 12 | 74 |
| 26366-100002 | 16 | 16 |
| 26450-060252 | 9 | 15 |
| 26687-120002 | 12 | 79 |
| 26716-060002 | 11 | 87 |
| 26716-120002 | 11 | 109 |
| 26756-060002 | 12 | 72 |
| 26776-120002 | 12 | 73 |
| 27231-500000 | 1 | 7 |
| 27241-120000 | 1 | 8 |
| 27241-300000 | 1 | 9 |
| 27241-400000 | 4 | 10 |
| 27310-070001 | 4 | 15 |
| 719810-01500 | 2 | 3 |
| 719810-01650 | 3 | 14 |
| 719810-11520 | 4 | 38 |
| 719810-11660 | 4 | 27 |
| 719810-23100 | 8 | 23 |
| 719810-53100 | 13 | 1 |
| 719822-01560 | 1 | 1 |
| 719910-51370 | 11 | 1 |
| 719910-92610 | 17 | 1 |
| 977770-01212 | 17 | 29 |
| X211414501 | 15 | 25 |
| X211415505 | 15 | 12 |
| X211425505 | 15 | 15 |
| X211451007 | 15 | 2 |
| X21146012 | 15 | 19 |
| X211472106 | 15 | 5 |
| XM178780000 | 16 | 9 |

| Parts No. | Fig. No. | Ref. No. |
|-----------|----------|----------|
|-----------|----------|----------|

| Parts No. | Fig. No. | Ref. No. |
|-----------|----------|----------|
|-----------|----------|----------|

| Parts No. | Fig. No. | Ref. No. |
|-----------|----------|----------|
|-----------|----------|----------|