

OCR10-M52500EN

P R E F A C E

1. This Parts Catalog carries all parts incorporated in YANMAR Model 3TNE68-SA01~04, 3TNE68-G1A01, 3TNE68-G2A01, 3TNE68C-(E)SA01 & 3TNE68C-(E)G1A01.

2. Model name

Column	Model name	Manufactured	E/#
(A)	3TNE68-SA01	1999/4~	63302~
	3TNE68-SA02		
	3TNE68-SA03		
	3TNE68-SA04		
(B)	3TNE68-G1A01	1999/5~	63490~
(C)	3TNE68-G2A01	1999/5~	63414~
(D)	3TNE68C-SA01	1999/3~	62908~
	3TNE68C-ESA01	2000/1~	65289~
(E)	3TNE68C-G1A01	1999/3~	63041~
	3TNE68C-EG1A01	2000/4~	66126~

3. Each illustration corresponds to the parts list on the following page.

4. When ordering parts, clearly write down the engine model and serial number, as well as the name and number of each part in your order sheet. This will help insure reliable delivery of the parts you have ordered.

Fig. No.	Fig. Name
3TNE68(C)-(E)SA,G1,2	
1.	CYLINDER BLOCK
2.	GEAR HOUSING
3.	FLYWHEEL HOUSING & OIL SUMP
4.	CYLINDER HEAD & BONNET
5.	SUCTION MANIFOLD & AIR CLEANER
6.	EXHAUST MANIFOLD & SILENCER
7.	CAMSHAFT & DRIVING GEAR
8.	CRANKSHAFT & PISTON
9.	LUB.OIL SYSTEM
10.	COOLING WATER SYSTEM
11.	RADIATOR
12.	FUEL INJECTION PUMP
13.	FUEL INJECTION PUMP
14.	GOVERNOR
15.	GOVERNOR
16.	FUEL INJECTION VALVE
17.	FUEL FILTER
18.	ENGINE CONTROL DEVICE
19.	STARTING MOTOR
20.	STARTING MOTOR(COLD DISTRICT)
21.	GENERATOR
22.	PANEL
23.	TOOL & GASKET SET

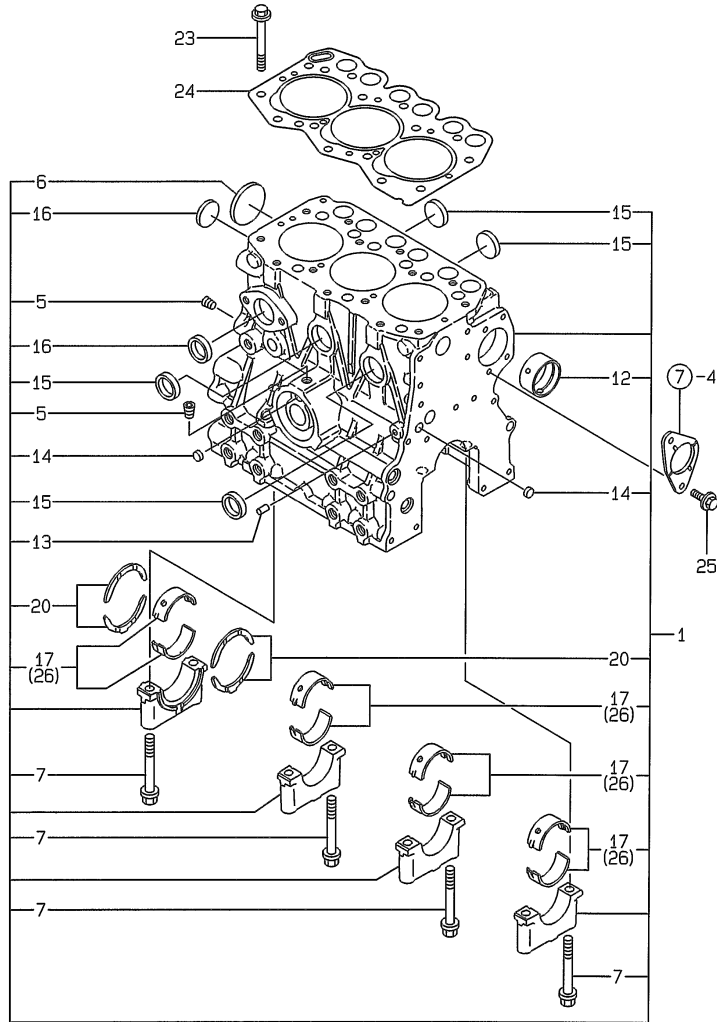
Fig. No.	Fig. Name
----------	-----------



(A)=3TNE68-SA
 (B)=3TNE68-G1A01
 (C)=3TNE68-G2A01

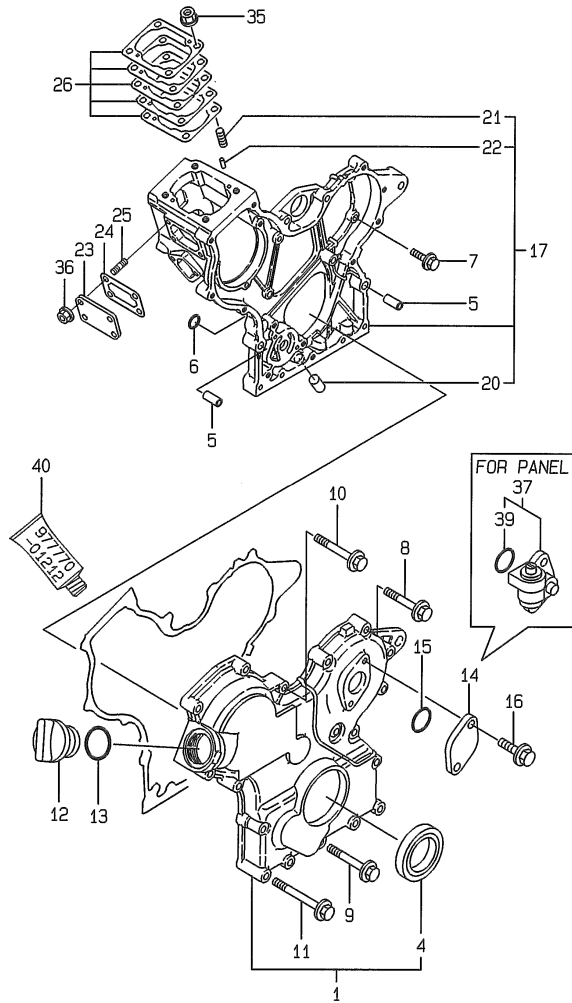
 (D)=3TNE68C(E)SA
 (E)=3TNE68C(E)G1
 (F)=

No.	Lev.	Parts No.	Description	Q'ty						I	R
				(A)	(B)	(C)	(D)	(E)	(F)		
1	1	719265-01560	BLOCK ASSY, CYLINDER	1	1	1	1	1			
5	2	124060-01050	PLUG, PT1/8	2	2	2	2	2			
6	2	27231-400000	PLUG 40	1	1	1	1	1			
6-1	2	119265-01250	PLUG, 40	1	1	1	1	1		N	
		(A=EXXX) (B=EXXX) (C=EXXX) (D=EXXX) (E=EXXX)									
7	2	119260-02020	BOLT, METAL CAP	8	8	8	8	8			
12	2	119266-02410	BUSH	1	1	1	1	1			
13	2	27221-060100	PLUG, 6X10	1	1	1	1	1			
14	2	27241-100000	PLUG, 10	2	2	2	2	2			
15	2	27241-250000	PLUG, 25	4	4	4	4	4			
16	2	27241-300000	PLUG 30	2	2	2	2	2			
17	2	119260-02800	BEARING, MAIN	4	4	4	4	4			
20	2	119260-02930	BEARING, THRUST	2	2	2	2	2			
23	1	119266-01200	BOLT, HEAD	14	14	14	14	14			
24	1	119265-01341	GASKET, HEAD	1	1	1	1	1			
25	1	26106-060122	BOLT, M6X 12 PLATED	2	2	2	2	2			
26	1	719260-02870	BEARING, 0.25 US	4	4	4	4	4		1	


 Remarks
 (1) UNDER-SIZE(U.S=0.25)PART.

(A)=3TNE68-SA
 (B)=3TNE68-G1A01
 (C)=3TNE68-G2A01

(D)=3TNE68C(E)SA
 (E)=3TNE68C(E)G1
 (F)=

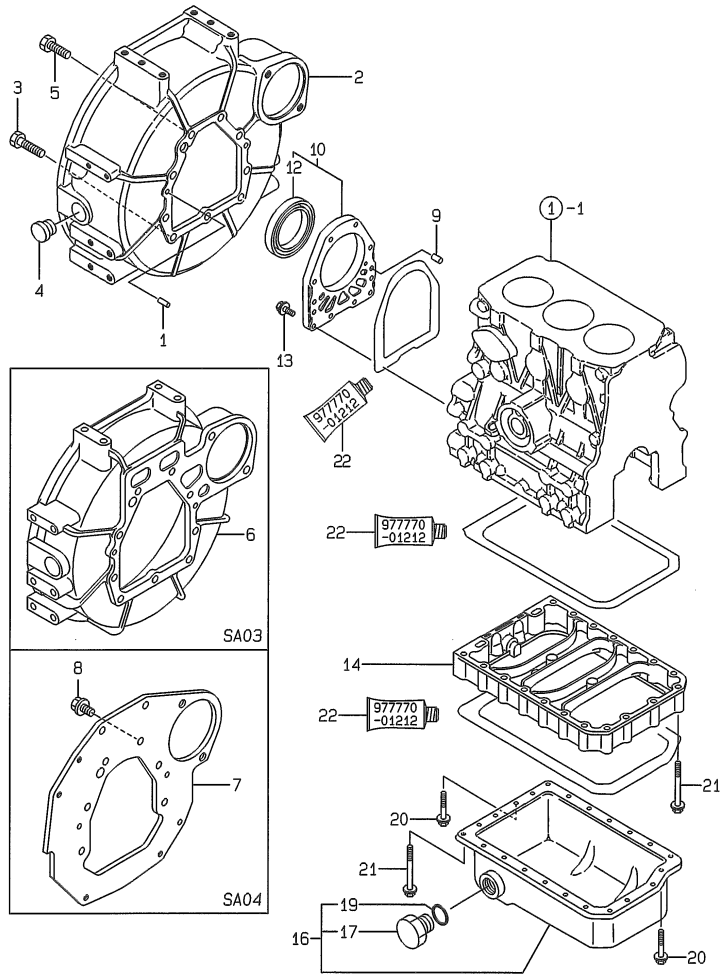


No.	Lev.	Parts No.	Description	Q'ty						I	R
				(A)	(B)	(C)	(D)	(E)	(F)		
1	1	119260-01590	COVER ASSY,GEAR CASE	1	1	1	1	1			
4	2	119620-01800	SEAL, OIL	1	1	1	1	1			
5	1	119660-01911	PIPE, KNOCK	4	4	4	4	4			
6	1	119624-32040	O-RING, P12.0	2	2	2	2	2			
7	1	26106-060162	BOLT, M6X 16 PLATED	5	5	5	5	5			
8	1	26106-060302	BOLT, M6X 30 PLATED	5	5	5	5	5			
9	1	26106-060402	BOLT, M6X 40 PLATED	3	3	3	3	3			
10	1	26106-060502	BOLT, M6X 50 PLATED	4	4	4	4	4			
11	1	26106-060652	BOLT, M6X 65 PLATED	6	6	6	6	6			
12	1	124160-01751	COVER, FILLER	1	1	1	1	1			
13	1	24311-000320	O-RING, 1AP32.0	1	1	1	1	1			
14	1	121023-01550	COVER	1	1	1	1	1			
15	1	24341-000240	O-RING, 1AS24.0	1	1	1	1	1			
16	1	26106-060162	BOLT, M6X 16 PLATED	2	2	2	2	2			
17	1	119260-01490	CASE ASSY, GEAR	1	1	1	1	1			
20	2	119260-01510	PLUG	1	1	1	1	1			
21	2	121450-01560	STUD, M8X22	4	4	4	4	4			
22	2	22351-040010	PIN, SPRING 4.0X10	2	2	2	2	2			
23	1	119660-01551	COVER	1	1	1	1	1			
24	1	119660-01562	GASKET	1	1	1	1	1			
25	1	119660-01570	STUD, M6X12	4	4	4	4	4			
26	1	119623-01950	SHIM SET, ADJUSTING	1	1	1	1	1			
35	1	194990-22050	NUT, M8	4	4	4	4	4			
36	1	26366-060002	NUT, M6	4	4	4	4	4			
37	1	129150-91400	GEAR	1	1	1	1	1			
39	2	24341-000240	O-RING, 1AS24.0	1	1	1	1	1			
40	1	97770-01212	GASKET, LIQUID	1	1	1	1	1		1	

Remarks
 (1) OPTIONAL PART.

(A)=3TNE68-SA
 (B)=3TNE68-G1A01
 (C)=3TNE68-G2A01

(D)=3TNE68C(E)SA
 (E)=3TNE68C(E)G1
 (F)=



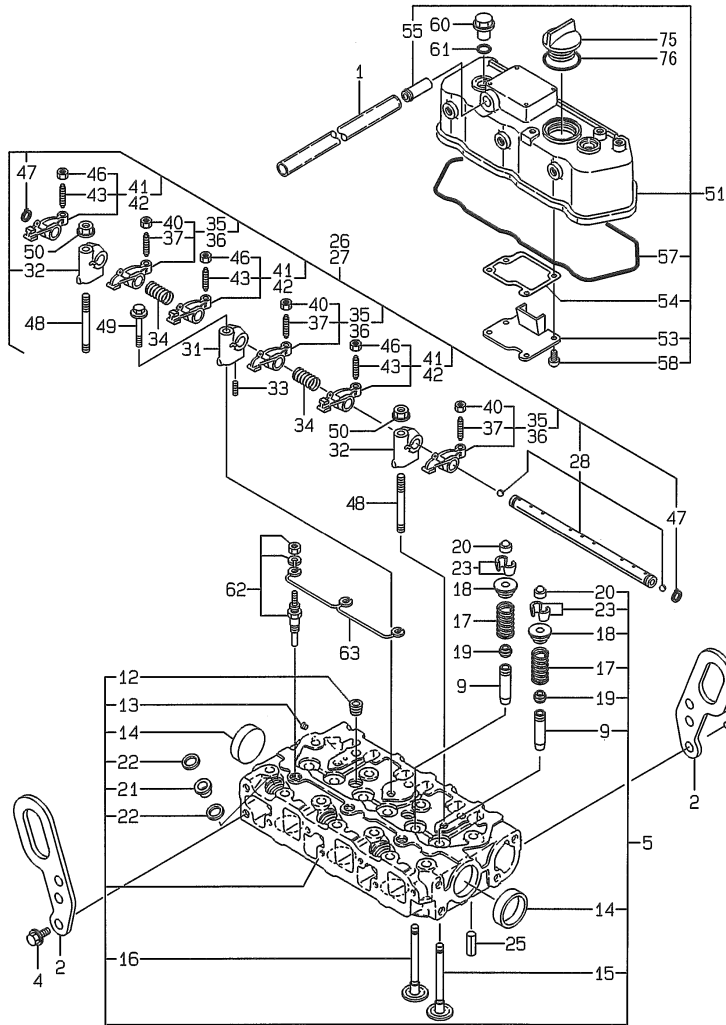
No.	Lev.	Parts No.	Description	Q'ty						I	R
				(A)	(B)	(C)	(D)	(E)	(F)		
1	1	129100-01580	PIN, M8X16	2	2	2	2	2			
2	1	119280-01600	FLANGE, MOUNTING	1	1	1	1	1		1	
2-1	1	119280-01601	HOUSING, FLYWHEEL	1	1	1	1	1		N 1	
		(A=E63868)	(B=E64345)	(C=E63757)	(D=E63979)	(E=E63946)					
3	1	121120-01620	BOLT, M10X28	3	3	3	3	3		5	
4	1	119620-01750	CAP	1	1	1	1	1		5	
5	1	26206-100252	BOLT, M10X 25 PLATED	6	6	6	6	6		5	
6	1	119600-01600	HOUSING, FLYWHEEL	1						2	
7	1	119621-01611	FLANGE, MOUNTING	1						3	
8	1	26116-100202	BOLT, M10X 20 PLATED	8						3	
9	1	119620-01620	PIN, M6X10	2	2	2	2	2			
10	1	119660-01640	CASE ASSY, OIL SEAL	1	1	1	1	1			
12	2	124085-02220	SEAL, OIL	1	1	1	1	1			
13	1	26106-060222	BOLT, M6X 22 PLATED	10	10	10	10	10			
14	1	119454-01721	SPACER, OIL SUMP	1	1	1	1	1			
16	1	119260-01770	SUMP ASSY, OIL	1	1	1	1	1			
17	2	121400-01640	PLUG, 16	1	1	1	1	1			
19	2	24311-000180	O-RING, 1AP18.0	1	1	1	1	1			
20	1	26106-060102	BOLT, M6X 10 PLATED	3	3	3	3	3			
21	1	26106-060452	BOLT, M6X 45 PLATED	20	20	20	20	20			
22	1	977770-01212	GASKET, LIQUID	1	1	1	1	1		4	

Remarks

- (1) FOR 3TNE68-SA01,02.
- (2) FOR 3TNE68-SA03.
- (3) FOR 3TNE68-SA04.
- (4) OPTIONAL PART.
- (5) FOR 3TNE68-SA01,02,03.

(A)=3TNE68-SA
(B)=3TNE68-G1A01
(C)=3TNE68-G2A01

(D)=3TNE68C(E)SA
(E)=3TNE68C(E)G1
(F)=

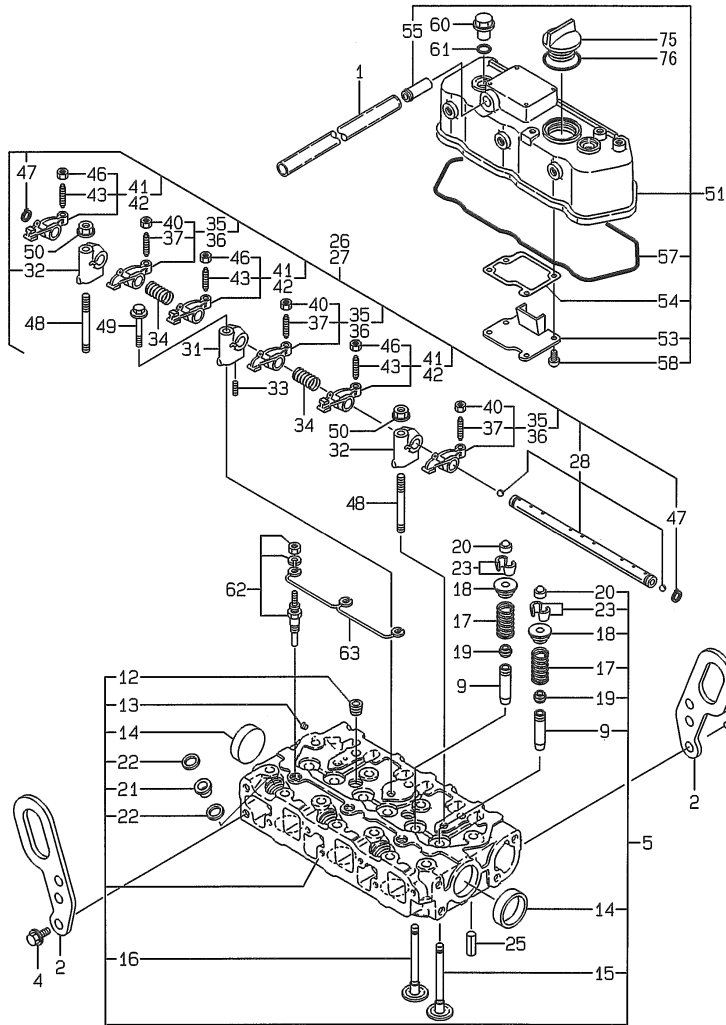


No.	Lev.	Parts No.	Description	Q'ty						I	R
				(A)	(B)	(C)	(D)	(E)	(F)		
1	1	23065-120500	PIPE, 12X 500	1	1	1	1	1			
2	1	119260-07900	LIFTER	2	2	2	2	2			
3	1	26106-080142	BOLT, M8X 14 PLATED	1	1	1	1	1			
4	1	26106-080142	BOLT, M8X 14 PLATED	2	2	2	2	2			
5	1	119265-11700	HEAD ASSY, CYLINDER	1	1	1	1	1			
9	2	119260-11800	GUIDE, VALVE	6	6	6	6	6		1	
12	2	23871-030000	PLUG, R03	2	2	2	2	2			
12-1	2	23876-030000	PLUG, R03	2	2	2	2	2		N	
		(A=E64966)	(B=E65005)	(C=E65093)	(D=E75137)	(E=E65235)					
13	2	27221-050080	PLUG, 5X 8	1	1	1	1	1			
14	2	27241-350000	PLUG, 35	2	2	2	2	2			
15	2	119260-11100	VALVE, INTAKE	3	3	3	3	3			
16	2	119260-11110	VALVE, EXHAUST	3	3	3	3	3			
17	2	114250-11120	SPRING, VALVE	6	6	6	6	6			
18	2	114250-11180	RETAINER, SPRING	6	6	6	6	6			
19	2	119260-11340	SEAL, VALVE STEM	6	6	6	6	6			
20	2	119260-11370	CAP, VALVE	6	6	6	6	6			
21	2	119600-11450	PROTECTOR, NOZZLE	3	3	3	3	3			
22	2	119600-11460	GASKET, NOZZLE	6	6	6	6	6			
23	2	714250-11570	COTTER ASSY	6	6	6	6	6			
25	1	22351-060012	PIN, SPRING 6.0X12	2	2	2	2	2			
26	1	119260-11200	SUPPORT ASSY, ARM	1		1	1				
27	1	119489-11200	SUPPORT ASSY, ARM		1			1			
28	2	119260-11240	SHAFT ASSY, ROCKER	1	1	1	1	1			
31	2	119260-11260	SUPPORT, ROCKER ARM	1	1	1	1	1			
32	2	119265-11260	SUPPORT, ROCKER ARM	2	2	2	2	2			
33	2	119260-11270	SCREW	1	1	1	1	1			
34	2	119260-11280	SPRING	2	2	2	2	2			
35	2	719260-11650	ARM ASSY, ROCKER	3		3	3				
36	2	719489-11650	ARM ASSY, ROCKER		3			3			
37	3	105010-11230	SCREW, VALVE ADJUST	3	3	3	3	3			
40	3	26756-060002	NUT, LOCK M6	3	3	3	3	3			
41	2	719260-11660	ARM ASSY, ROCKER	3		3	3				
42	2	719489-11660	ARM ASSY, ROCKER		3			3			
43	3	105010-11230	SCREW, VALVE ADJUST	3	3	3	3	3			
46	3	26756-060002	NUT, LOCK M6	3	3	3	3	3			
47	2	22242-000100	RING, 10	2	2	2	2	2			
48	1	119620-11350	STUD	2	2	2	2	2			
49	1	26106-080452	BOLT, M8X 45 PLATED	1	1	1	1	1			
50	1	26366-080002	NUT, M8	2	2	2	2	2			
50-1	1	26306-080002	NUT, M8	2	2	2	2	2		N	
		(A=E64966)	(B=E65005)	(C=E65093)	(D=E75137)	(E=E65235)					
51	1	119260-11330	BONNET ASSY, HEAD	1	1	1	1	1			
51-1	1	119260-11331	BONNET ASSY, HEAD	1	1	1	1	1		N	
		(A=E64966)	(B=E65005)	(C=E65093)	(D=E75137)	(E=E65235)					
53	2	119260-03020	PLATE, SHELTER	1	1	1	1	1			
54	2	119260-03031	GASKET	1	1	1	1	1			
55	2	118400-03060	JOINT, BREATHER	1	1	1	1	1			
57	2	119260-11310	GASKET, BONNET	1	1	1	1	1			
58	2	22857-500100	SCREW, 5X10	4	4	4	4	4			
60	1	124160-11360	KNOB	2	2	2	2	2			

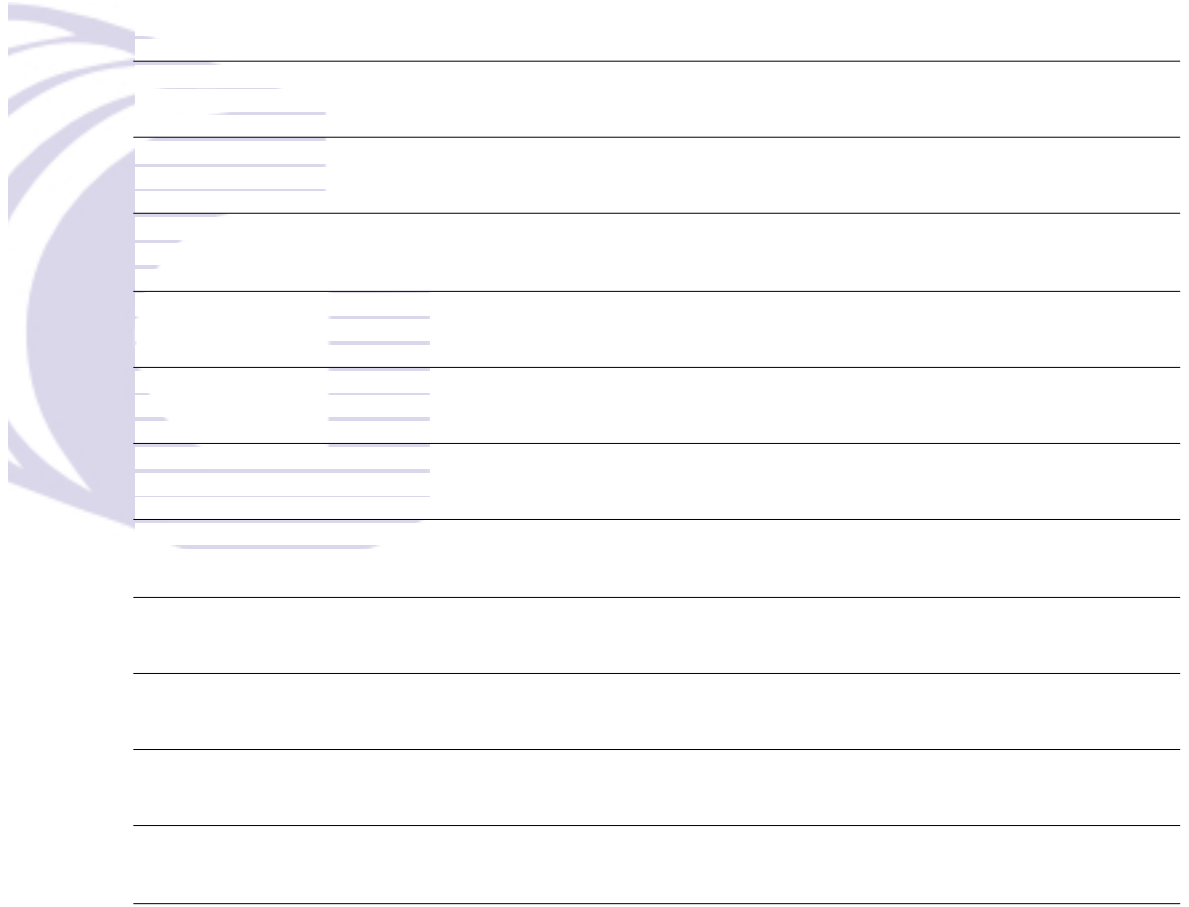
Remarks
(1) REPAIR PART.

(A)=3TNE68-SA
 (B)=3TNE68-G1A01
 (C)=3TNE68-G2A01

(D)=3TNE68C(E)SA
 (E)=3TNE68C(E)G1
 (F)=



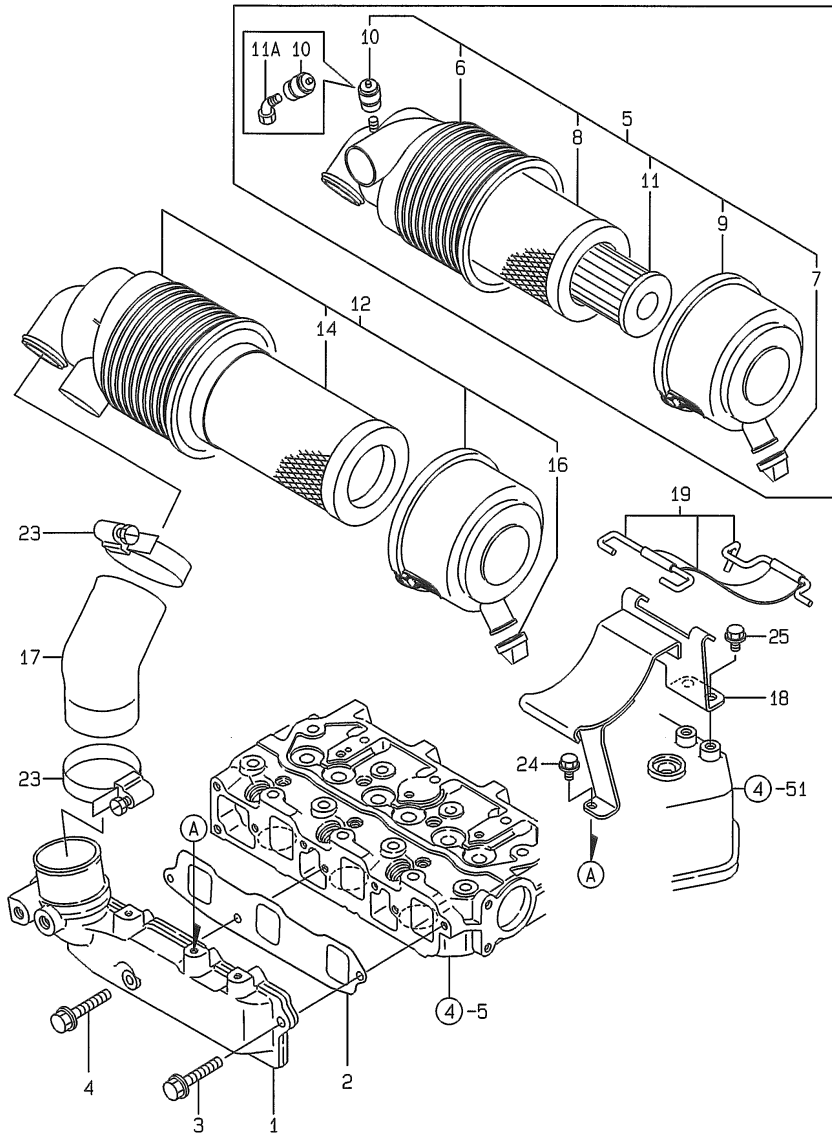
No.	Lev.	Parts No.	Description	Q'ty						I	R
				(A)	(B)	(C)	(D)	(E)	(F)		
61	1	24311-000120	O-RING, 1AP12.0	2	2	2	2	2			
62	1	129795-77800	PLUG, GLOW	3	3	3	3	3			
63	1	119620-77820	CONNECTOR, GLOW PLUG	1	1	1	1	1			
75	1	124160-01751	COVER, FILLER	1	1	1	1	1			
76	1	24311-000320	O-RING, 1AP32.0	1	1	1	1	1			



Remarks
 (1) REPAIR PART.

(A)=3TNE68-SA
 (B)=3TNE68-G1A01
 (C)=3TNE68-G2A01

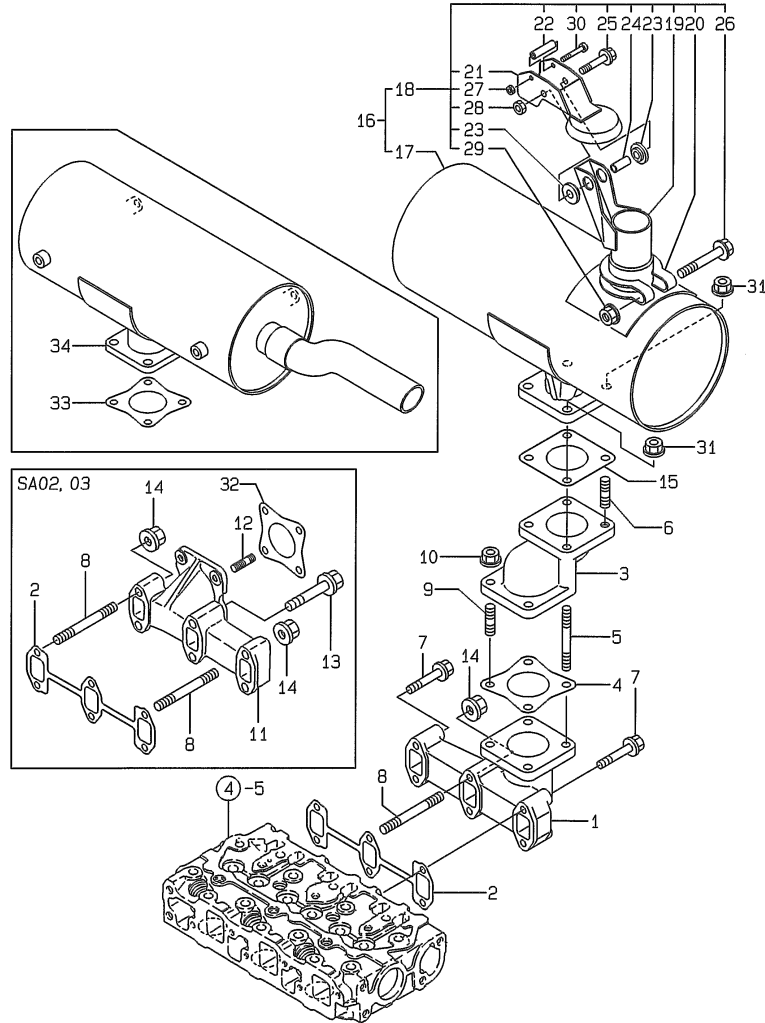
(D)=3TNE68C(E)SA
 (E)=3TNE68C(E)G1
 (F)=



No.	Lev.	Parts No.	Description	Q'ty						I	R
				(A)	(B)	(C)	(D)	(E)	(F)		
1	1	119275-12100	MANIFOLD, AIR INTAKE	1	1	1	1	1			
1-1	1	119275-12101	MANIFOLD, AIR INTAKE	1	1	1	1	1		R	
		(A=E65609) (B=E65620) (C=E65487) (D=E65477) (E=E66358)									
2	1	119270-12110	GASKET, MANIFOLD	1	1	1	1	1			
3	1	26106-060162	BOLT, M6X 16 PLATED	2	2	2	2	2			
4	1	26106-060282	BOLT, M6X 28 PLATED	1	1	1	1	1			
5	1	119626-12500	CLEANER, AIR	1	1	1	1	1			
5-1	1	119626-12501	CLEANER, AIR	1	1	1	1	1		R	
		(A=E63868) (B=E64345) (C=E63757) (D=E63979) (E=E663946)									
6	2	119626-12510	BODY, AIR CLEANER	1	1	1	1	1			
7	2	119808-12540	VALVE, UNLOADER	1	1	1	1	1			
8	2	119655-12560	ELEMENT	1	1	1	1	1			
9	2	105027-12570	COVER, AIR CREAMER	1	1	1	1	1			
10	2	126650-12680	INDICATOR	1	1	1	1	1			
11	2	119233-12700	ELEMENT	1	1	1	1	1			
11A	2	119626-12800	ORIFICE	1	1	1	1	1		W	
		(A=E63868) (B=E64345) (C=E63757) (D=E63979) (E=E663946)									
12	1	119653-12500	CLEANER ASSY, AIR	1	1	1	1	1			
14	2	119655-12560	ELEMENT	1	1	1	1	1			
16	2	119808-12540	VALVE, UNLOADER	1	1	1	1	1			
17	1	119462-12550	PIPE, AIR INTAKE	1	1	1	1	1			
18	1	119489-12600	SUPPORT, AIR CLEANER	1	1	1	1	1			
19	1	119865-12600	BAND ASSY, CLEANER	1	1	1	1	1			
23	1	23000-054000	CLAMP, 54	2	2	2	2	2			
24	1	26106-060122	BOLT, M6X 12 PLATED	1	1	1	1	1			
25	1	26106-080122	BOLT, M8X 12 PLATED	2	2	2	2	2			

(A)=3TNE68-SA
(B)=3TNE68-G1A01
(C)=3TNE68-G2A01

(D)=3TNE68C(E)SA
(E)=3TNE68C(E)G1
(F)=



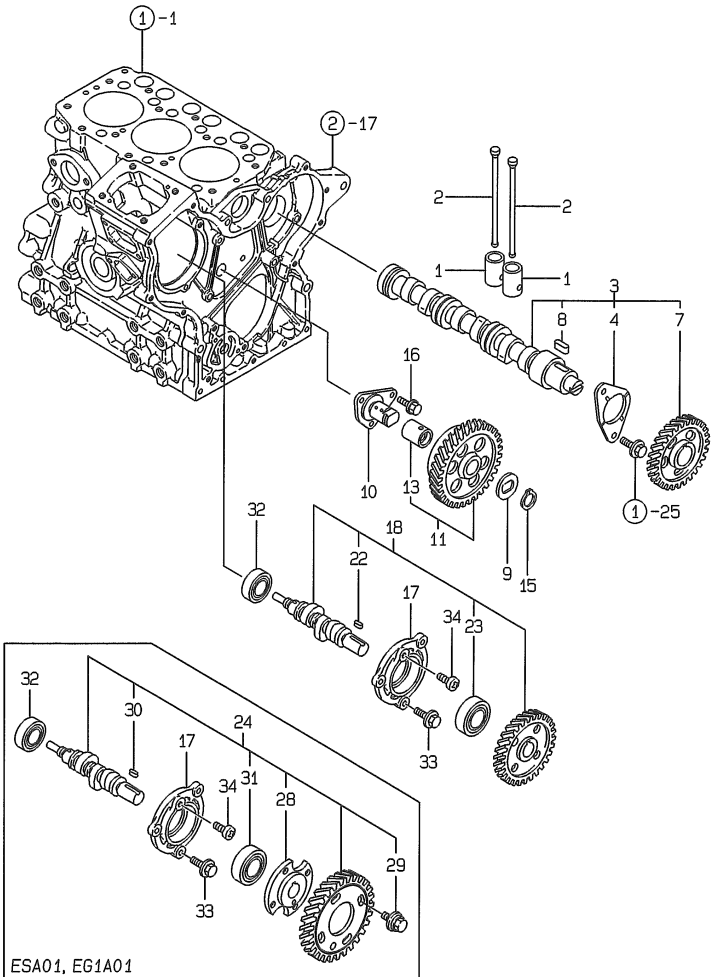
No.	Lev.	Parts No.	Description	Q'ty						I	R
				(A)	(B)	(C)	(D)	(E)	(F)		
1	1	119253-13100	MANIFOLD, EXHAUST	1	1	1	1	1			2
2	1	119260-13110	GASKET	1	1	1	1	1			
3	1	119840-13150	PIPE	1	1	1	1	1			2
4	1	121000-13201	GASKET, SILENCER	1	1	1	1	1			2
5	1	119823-13600	STUD, M8X70	2	2	2	2	2			2
6	1	119131-18320	STUD, M8X22	2	2	2	2	2			2
7	1	26106-060402	BOLT, M6X 40 PLATED	4	4	4	4	4			2
8	1	26216-060402	STUD, M6X 40	2	2	2	2	2			2
8-1	1	119265-13810	STUD, M6X40	2	2	2	2	2			N
		(A=EXXX)	(B=EXXX)	(C=EXXX)	(D=EXXX)	(E=EXXX)					
9	1	26216-080282	STUD, M8X 28	2	2	2	2	2			2
10	1	26366-080002	NUT, M8	2	2	2	2	2			
11	1	119260-13100	MANIFOLD, EXHAUST	1							1
12	1	119131-18320	STUD, M8X22	4							1
13	1	26106-060352	BOLT, M6X 35 PLATED	4							1
13-1	1	119265-13830	BOLT, M6X35	4							N 1
		(A=EXXX)									
14	1	26366-060002	NUT, M6	2							
14-1	1	119265-13800	NUT, M6	2							N
		(A=EXXX)									
15	1	124701-11911	GASKET, SILENCER	1	1	1	1	1			2
16	1	119620-13501	SILENCER	1	1	1	1	1			2
17	2	119620-13510	SILENCER ASSY	1	1	1	1	1			2
18	2	119620-13520	PIPE ASSY, TAIL	1	1	1	1	1			2
19	3	119620-13560	PIPE, TAIL	1	1	1	1	1			2
20	3	124664-13580	CLAMP	1	1	1	1	1			2
21	3	119358-13640	CAP, RAIN	1	1	1	1	1			2
22	3	121855-13821	SPACER, A	1	1	1	1	1			2
23	3	121855-13830	SPACER, B	2	2	2	2	2			2
24	3	123500-13840	SPACER, C	1	1	1	1	1			2
25	3	26106-060402	BOLT, M6X 40 PLATED	1	1	1	1	1			2
26	3	26106-080552	BOLT, M8X 55 PLATED	1	1	1	1	1			2
27	3	26347-040002	NUT, M4	1	1	1	1	1			2
28	3	26347-060002	NUT, M6	1	1	1	1	1			2
29	3	26366-080002	NUT, M8	1	1	1	1	1			2
29-1	3	26306-080002	NUT, M8	1	1	1	1	1			N 2
		(A=EXXX)	(B=EXXX)	(C=EXXX)	(D=EXXX)	(E=EXXX)					
30	3	26557-040352	SCREW, M4X35	1	1	1	1	1			2
31	1	26366-080002	NUT, M8	4	4	4	4	4			2
31-1	1	26306-080002	NUT, M8	4	4	4	4	4			N 2
		(A=EXXX)	(B=EXXX)	(C=EXXX)	(D=EXXX)	(E=EXXX)					
32	1	121000-13201	GASKET, SILENCER	1	1	1	1	1			
33	1	121000-13201	GASKET, SILENCER	1	1	1	1	1			
34	1	119288-13501	SILENCER	1	1	1	1	1			

Remarks

- (1) FOR 3TNE68-SA02,03.
- (2) FOR 3TNE68-SA01,04.

(A)=3TNE68-SA
 (B)=3TNE68-G1A01
 (C)=3TNE68-G2A01

(D)=3TNE68C(E)SA
 (E)=3TNE68C(E)G1
 (F)=

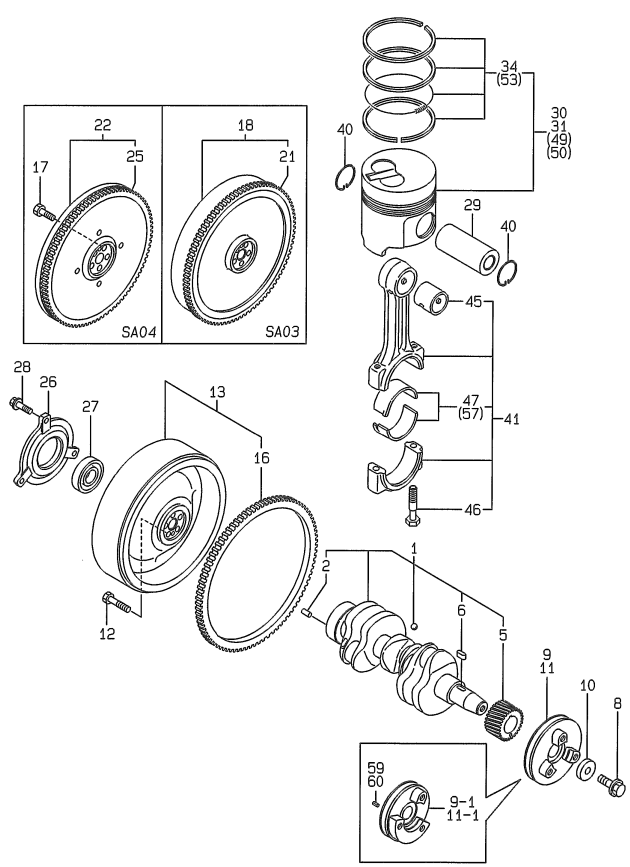


No.	Lev.	Parts No.	Description	Q'ty						I	R
				(A)	(B)	(C)	(D)	(E)	(F)		
1	1	119260-14200	TAPPET	6	6	6	6	6			
2	1	119260-14400	ROD, PUSH	6	6	6	6	6			
3	1	119260-14580	CAMSHAFT ASSY	1	1	1	1	1			
4	2	119620-02450	BEARING, THRUST	1	1	1	1	1			
7	2	119260-14100	GEAR, CAMSHAFT	1	1	1	1	1			
8	2	22512-040120	KEY, 4X 12	1	1	1	1	1			
9	1	119660-25022	RETAINER	1	1	1	1	1			
10	1	119660-25052	SHAFT, IDLE	1	1	1	1	1			
11	1	119260-25100	GEAR ASSY, IDLE	1	1	1	1	1			
13	2	119620-25912	BUSH	1	1	1	1	1		1	
15	1	22242-000200	RING, 20	1	1	1	1	1			
16	1	26106-060122	BOLT, M6X 12 PLATED	3	3	3	3	3			
17	1	119660-01821	BEARING, FUEL CAM	1	1	1	1	1			
18	1	119225-14200	CAM ASSY	1	1	1	1	1		2	
22	2	22512-040120	KEY, 4X 12	1	1	1	1	1		2	
23	2	24102-063034	BEARING, BALL 6303U	1	1	1	1	1		2	
24	1	119225-14210	CAM ASSY				1	1		3	
28	2	119660-25920	FLANGE				1	1		3	
29	2	119660-25930	BOLT				4	4		3	
30	2	22512-040120	KEY, 4X 12				1	1		3	
31	2	24102-063034	BEARING, BALL 6303U				1	1		3	
32	1	24101-062034	BEARING, BALL 6203	1	1	1	1	1			
33	1	26106-060162	BOLT, M6X 16 PLATED	3	3	3	3	3			
34	1	26587-080102	SCREW, M8X10	1	1	1	1	1			

Remarks
 (1) REPAIR PART.
 (2) FOR 3TNE68C-SA01,G1A01.
 (3) FOR 3TNE68C-ESA01,EG1A01.

(A)=3TNE68-SA
(B)=3TNE68-G1A01
(C)=3TNE68-G2A01

(D)=3TNE68C(E)SA
(E)=3TNE68C(E)G1
(F)=



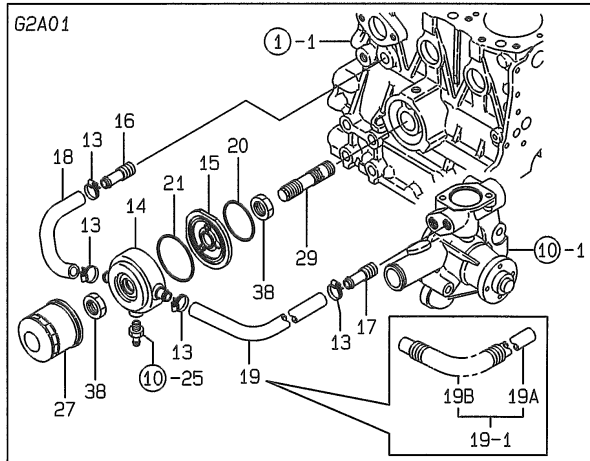
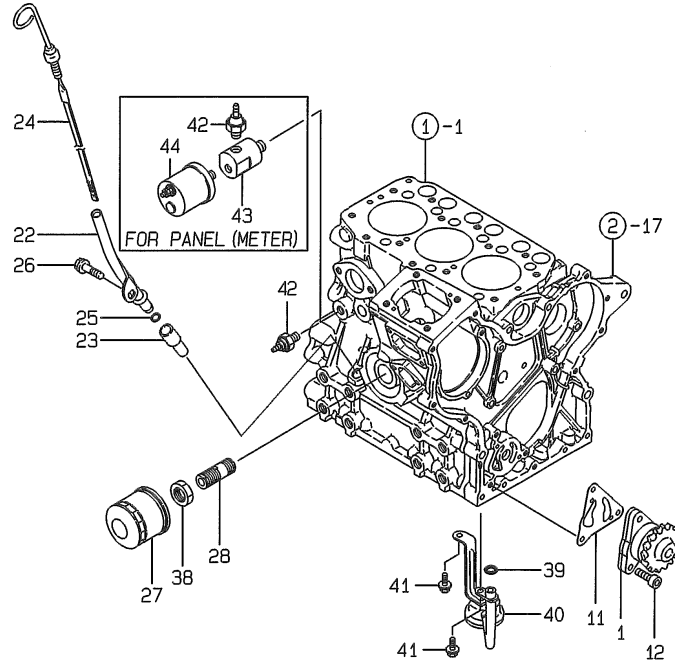
No.	Lev.	Parts No.	Description	Q'ty						I	R
				(A)	(B)	(C)	(D)	(E)	(F)		
1	1	119265-21700	CRANKSHAFT ASSY	1	1	1	1	1			
2	2	129100-01580	PIN, M8X16	1	1	1	1	1			
5	2	119260-21200	GEAR, CRANKSHAFT	1	1	1	1	1			
6	2	22512-040120	KEY, 4X 12	1	1	1	1	1			
8	1	119621-21680	BOLT, FLANGE 12X1.25	1	1	1	1	1			
9	1	119260-21650	V-PULLEY	1	1	1	1	1		7	
9-1	1	119233-21691	V-PULLEY	1	1	1	1	1		F 7	
		(A=E68477) (B=E70179) (C=E68040) (D=E75136) (E=E66358)									
10	1	119620-21941	WASHER	1	1	1	1	1			
11	1	119260-21650	V-PULLEY	1						4	
11-1	1	119233-21691	V-PULLEY	1						F 4	
		(A=E74102)									
12	1	121111-21501	BOLT, FLYWHEEL	5	5	5	5	5		8	
13	1	119688-21590	FLYWHEEL ASSY	1	1	1	1	1		7	
13-1	1	119688-21591	FLYWHEEL ASSY	1	1	1	1	1		F 7	
		(A=E68477) (B=E70179) (C=E68040) (D=E75136) (E=E66358)									
16	2	119865-21600	GEAR, RING	1	1	1	1	1		7	
17	1	119620-21500	BOLT, FLYWHEEL	5						5	
18	1	119600-21580	FLYWHEEL ASSY	1						6	
18-1	1	119265-21590	FLYWHEEL ASSY	1						F 6	
		(A=E75126)									
21	2	119865-21600	GEAR, RING	1						6	
22	1	119620-21591	FLYWHEEL ASSY	1						5	
22-1	1	119265-21560	FLYWHEEL ASSY	1						F 5	
		(A=E74102)									
25	2	124060-21600	GEAR, RING	1						5	
26	1	119888-21450	RETAINER, BEARING	1			1			7	
27	1	24104-062054	BEARING, BALL 6205UU	1			1			7	
28	1	26106-080222	BOLT, M8X 22 PLATED	3			3			7	
29	1	119265-22300	PIN, PISTON	3	3	3	3	3			
30	1	119265-22601	PISTON ASSY	3	3		3	3			
31	1	119265-22090	PISTON ASSY			3					
34	2	119265-22500	RING SET, PISTON	3	3	3	3	3			
40	1	22252-000200	RING, 20	6	6	6	6	6			
41	1	119265-23100	ROD ASSY, CONNECTING	3	3	3	3	3			
45	2	119260-23910	BEARING, PISTON PIN	3	3	3	3	3		1	
46	2	119265-23200	BOLT, CONNECTING ROD	6	6	6	6	6			
47	2	719260-23600	BEARING, CRANK PIN	3	3	3	3	3			
49	1	119265-22930	PISTON ASSY, 0.25 OS	3	3		3	3		2	
50	1	119265-22900	PISTON ASSY, 0.25 OS			3				2	
53	2	119265-22950	RING SET, 0.25 OS	3	3	3	3	3		2	
57	1	719260-23610	BEARING ASSY, 0.25	3	3	3	3	3		3	
59	1	22351-030010	PIN, SPRING 3.0X10	1	1	1	1	1		W 7	
		(A=E68477) (B=E70179) (C=E68040) (D=E75136) (E=E66358)									
60	1	22351-030010	PIN, SPRING 3.0X10	1						W 4	
		(A=E74102)									

Remarks

- (1) REPAIR PART.
- (2) OVER-SIZE(O.S=0.25)PART.
- (3) UNDER-SIZE(U.S=0.25)PART.
- (4) FOR 3TNE68-SA03,04. REF.NO.11-1 & 18-1(22-1)INTERCHANGEABLE BY SET.
- (5) FOR 3TNE68-SA04. REF.NO.11-1&22-1 INTERCHANGEABLE BY SET.
- (6) FOR 3TNE68-SA03. REF.NO.11-1&18-1 INTERCHANGEABLE BY SET.
- (7) FOR 3TNE68-SA01,02.REF.NO.9-1 & 13-1 INTERCHANGEABLE BY SET.

(A)=3TNE68-SA
(B)=3TNE68-G1A01
(C)=3TNE68-G2A01

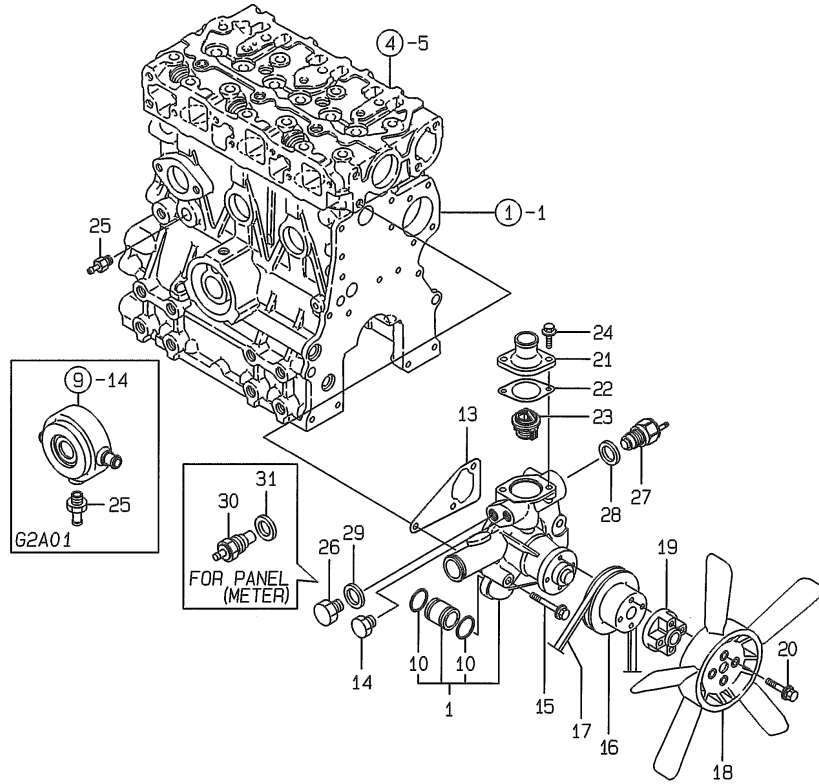
(D)=3TNE68C(E)SA
(E)=3TNE68C(E)G1
(F)=



No.	Lev.	Parts No.	Description	Qty						I	R
				(A)	(B)	(C)	(D)	(E)	(F)		
1	1	119260-32000	PUMP ASSY, OIL	1	1	1	1	1			
11	1	119660-32020	GASKET, PUMP	1	1	1	1	1			
12	1	26450-060202	BOLT, M6X 20	3	3	3	3	3			
13	1	171008-03990	CLIP, HOSE 18.5				4				
14	1	119642-33030	COOLER, OIL				1				
15	1	119642-33100	BRACKET, COOLER				1				
16	1	129122-44480	JOINT				1				
17	1	129122-44480	JOINT				1				
18	1	119642-49030	PIPE, WATER				1				
19	1	129403-49050	PIPE, WATER				1				
19-1	1	119265-49060	PIPE ASSY, WATER (C=E64495)				1			N	
19A	2	119265-49050	PIPE, WATER (C=E64495)				1			W	
19B	2	119265-49090	TUBE, CORRUGATED (C=E64495)				1			W	
20	1	24321-000600	O-RING, 1AG60.0				1				
21	1	24321-000700	O-RING, 1AG70.0				1				
22	1	119225-34810	GUIDE, DIPSTICK	1	1	1	1	1			
23	1	119260-34810	GUIDE, DIPSTICK	1	1	1	1	1			
24	1	119285-34821	DIPSTICK, LUB. OIL	1	1	1	1	1			
25	1	24311-240100	O-RING, 1AP10A	1	1	1	1	1			
26	1	26106-060102	BOLT, M6X 10 PLATED	1	1	1	1	1			
27	1	119305-35150	FILTER, OIL	1	1	1	1	1			
28	1	119225-35300	VALVE ASSY,OIL PRESS	1	1		1	1			
29	1	119265-35300	VALVE ASSY, CONTROL				1				
38	1	129150-35350	NUT	1	1	2	1	1			
39	1	119209-35030	O-RING, P11	1	1	1	1	1			
40	1	119260-35081	PIPE, OIL INLET	1	1	1	1	1			
41	1	26106-060122	BOLT, M6X 12 PLATED	2	2	2	2	2			
42	1	124160-39450	SWITCH, 0.5KG	1	1	1	1	1			
42-1	1	114250-39450	SWITCH, 0.5KG (A=E65214) (B=E65343) (C=E65093) (D=E75137) (E=E65235)	1	1	1	1	1		N	
43	1	171375-39601	DAMPER, 1/8	1	1	1	1	1			
44	1	144626-91560	SENSOR	1	1	1	1	1			

(A)=3TNE68-SA
(B)=3TNE68-G1A01
(C)=3TNE68-G2A01

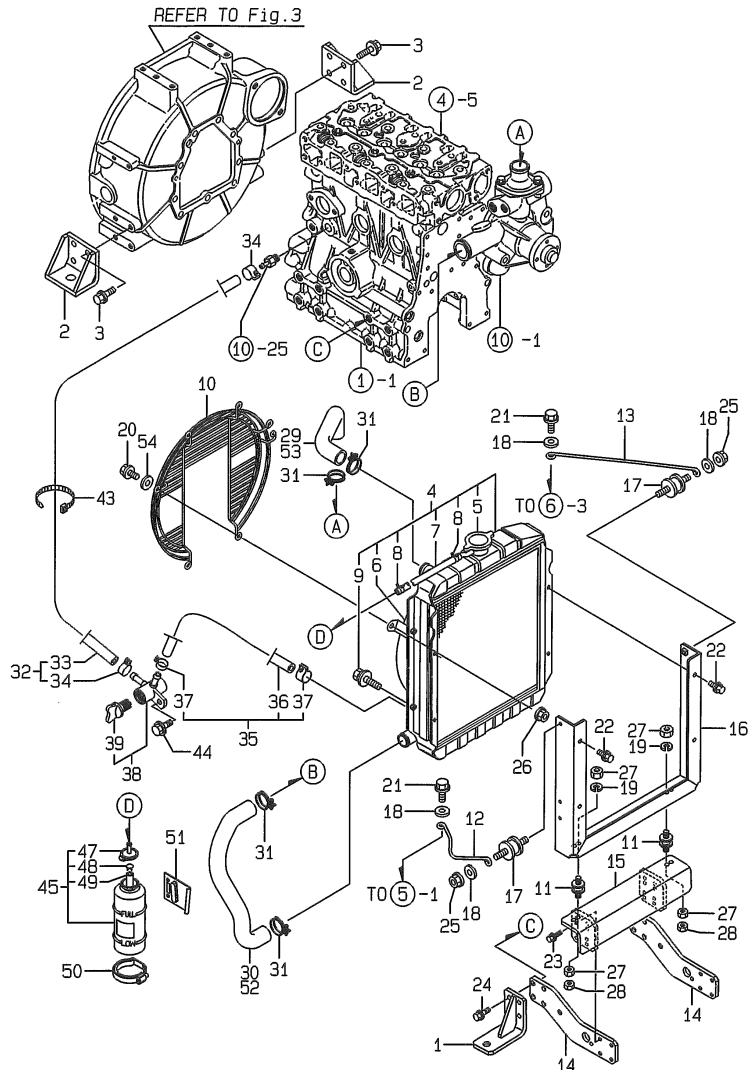
(D)=3TNE68C(E)SA
(E)=3TNE68C(E)G1
(F)=



No.	Lev.	Parts No.	Description	Q'ty						I	R
				(A)	(B)	(C)	(D)	(E)	(F)		
1	1	119265-42002	PUMP ASSY, WATER	1	1	1	1	1			
10	2	24311-000210	O-RING, 1AP21.0	2	2	2	2	2			
10-1	2	119209-42320	O-RING, P21 EPDM	2	2	2	2	2		N	
13	1	(A=E66746) 119260-42020	(B=E67574) (C=E66484) (D=E75136) GASKET, WATER PUMP	(E=E66358) 1	1	1	1	1			
13-1	1	119260-42021	GASKET, WATER PUMP	1	1	1	1	1		N	
14	1	(A=E65780) 171056-49120	(B=E67574) (C=E66710) (D=E75136) (E=E66358) PLUG, DRAIN	1	1		1	1			
15	1	26106-080452	BOLT, M8X 45 PLATED	3	3	3	3	3			
16	1	119620-42350	V-PULLEY	1	1	1	1	1			
17	1	104514-42780	V-BELT, HM33	1	1	1	1	1			
18	1	124700-44740	FAN, COOLING 5X310	1	1	1	1	1			
19	1	121267-44760	SPACER	1	1	1	1	1			
20	1	26014-060352	BOLT, M6X 35	4	4	4	4	4			
21	1	129350-49530	COVER, THERMOSTAT	1	1	1	1	1			
22	1	129350-49541	GASKET	1	1	1	1	1			
23	1	129350-49800	THERMOSTAT, 71	1	1	1	1	1			
24	1	26106-080202	BOLT, M8X 20 PLATED	2	2	2	2	2			
25	1	121550-49111	JOINT, PT1/4	1	1	1	1	1			
26	1	121450-42450	PLUG, M16	1	1	1	1	1			
27	1	121250-44901	SWITCH, 110	1	1	1	1	1			
28	1	124465-44950	GASKET, 16	1	1	1	1	1			
29	1	124465-44950	GASKET, 16	1	1	1	1	1			
30	1	124250-49351	SENSOR	1	1	1	1	1			
31	1	129150-49360	GASKET	1	1	1	1	1			

(A)=3TNE68-SA
(B)=3TNE68-G1A01
(C)=3TNE68-G2A01

(D)=3TNE68C(E)SA
(E)=3TNE68C(E)G1
(F)=



No.	Lev.	Parts No.	Description	Q'ty						I	R
				(A)	(B)	(C)	(D)	(E)	(F)		
1	1	119288-08100	FOOT	2	2	2	2			1	
2	1	119888-08110	FOOT	2	2		2	2		1	
3	1	26106-100202	BOLT, M10X 20 PLATED	8	8		8	8		1	
4	1	119621-44500	RADIATOR	1	1	1	1	1			
5	2	119259-44570	CAP, RADIATOR	1	1	1	1	1			
6	2	X2411365340	SHROUD	1	1	1	1	1			
7	2	129132-44530	HOSE, RUBBER	1	1	1	1	1			
8	2	121250-44590	CLAMP	2	2	2	2	2			
9	2	26014-080162	BOLT, M8X 16	4	4	4	4	4			
10	1	119621-44560	GUARD	1	1	1	1	1			
11	1	121400-44650	ABSORBER	2	2		2	2		1	
12	1	119265-44941	RETAINER	1	1		1	1		1	
13	1	119265-44950	RETAINER	1	1		1	1		1	
14	1	119688-44950	BRACKET	2	2		2	2		1	
15	1	119688-44961	BRACKET, RADIATOR	1	1		1	1		1	
16	1	119688-44972	SUPPORT, RADIATOR	1	1		1	1		1	
17	1	127694-91050	ABSORBER, SHOCK	2	2		2	2		1	
18	1	22137-080000	WASHER, 8	4	4		4	4		1	
19	1	22217-100000	WASHER, SPRING 10	2	2		2	2		1	
20	1	26106-080122	BOLT, M8X 12 PLATED	6	6	6	6	6			
20-1	1	26106-080142	BOLT, M8X 14 PLATED	6	6	6	6	6		N	
		(A=EXXX) (B=EXXX) (C=EXXX) (D=EXXX) (E=EXXX)									
21	1	26106-080162	BOLT, M8X 16 PLATED	2	2		2	2		1	
22	1	26106-080202	BOLT, M8X 20 PLATED	4	4		4	4		1	
23	1	26106-080252	BOLT, M8X 25 PLATED	8	8		8	8		1	
24	1	26116-100302	BOLT, M10X 30 PLATED	8	8		8	8		1	
25	1	26366-060002	NUT, M6	2	2		2	2		1	
26	1	26366-080002	NUT, M8	6	6	6	6	6		1	
26-1	1	26306-080002	NUT, M8	6	6	6	6	6		N 1	
		(A=EXXX) (B=EXXX) (C=EXXX) (D=EXXX) (E=EXXX)									
27	1	26716-100002	NUT, M10	4	4		4	4			
28	1	26756-100002	NUT, LOCK M10	2	2		2	2			
29	1	119288-49010	PIPE, WATER	1	1		1	1		1	
30	1	119280-49020	PIPE, WATER	1	1		1	1		1	
30-1	1	119632-49020	PIPE, WATER	1	1		1	1		N 1	
		(A=EXXX) (B=EXXX) (D=EXXX) (E=EXXX)									
31	1	23010-038000	CLAMP, 38	4	4	4	4	4			
32	1	119265-49100	PIPE ASSY, WATER	1	1		1	1		1	
33	2	119265-49010	PIPE, WATER	1	1		1	1		1	
34	2	124766-59050	CLIP, HOSE 12	2	2		2	2		1	
35	1	119623-49100	PIPE, WATER	1	1		1	1		1	
36	2	119623-49010	PIPE, WATER	1	1		1	1		1	
37	2	124766-59050	CLIP, HOSE 12	2	2		2	2		1	
38	1	129150-49100	COCK ASSY, 3-WAY	1	1	1	1	1			
39	2	129150-49080	COCK, DRAIN	1	1	1	1	1			
43	1	121750-59890	BAND, 140	1	1		1	1		1	
44	1	26106-080162	BOLT, M8X 16 PLATED	1	1		1	1		1	
45	1	124450-44510	TANK ASSY, SUB	1	1	1	1	1			
47	2	124450-44530	CAP	1	1	1	1	1			
48	2	124450-44560	RETAINER	1	1	1	1	1			
49	2	23061-070230	PIPE, 7X 230	1	1	1	1	1			

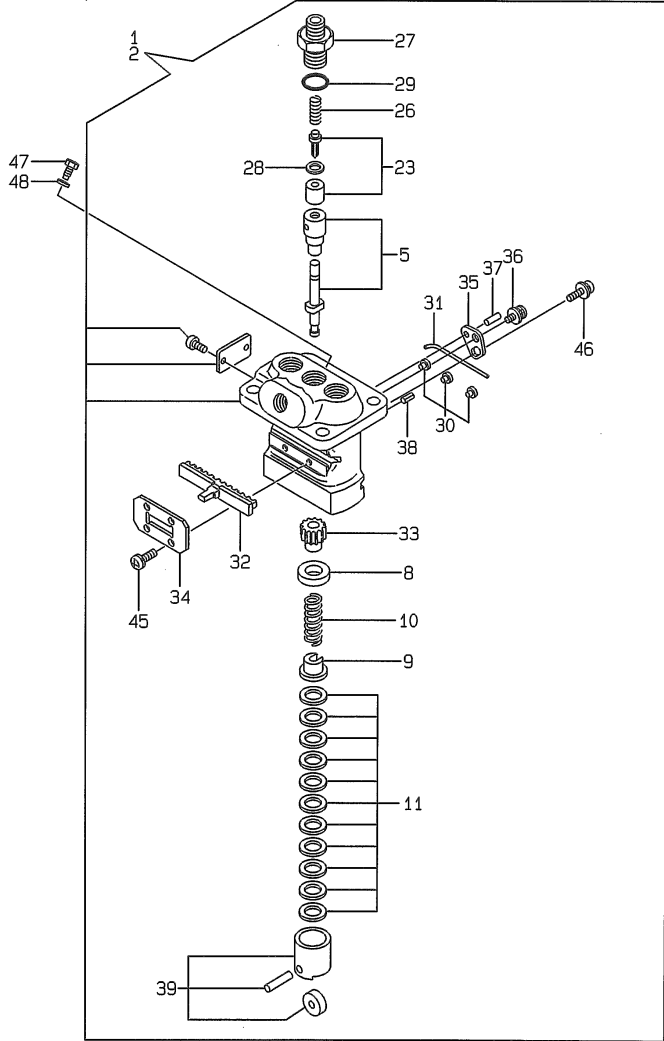
Remarks

(1) FOR 3TNE68-SA01,02,03.

(A)=3TNE68-SA
 (B)=3TNE68-G1A01
 (C)=3TNE68-G2A01

(D)=3TNE68C(E)SA
 (E)=3TNE68C(E)G1
 (F)=

3TNE68-SA01~04, G1A01, G2A01
 3TNE68C-SA01, G1A01



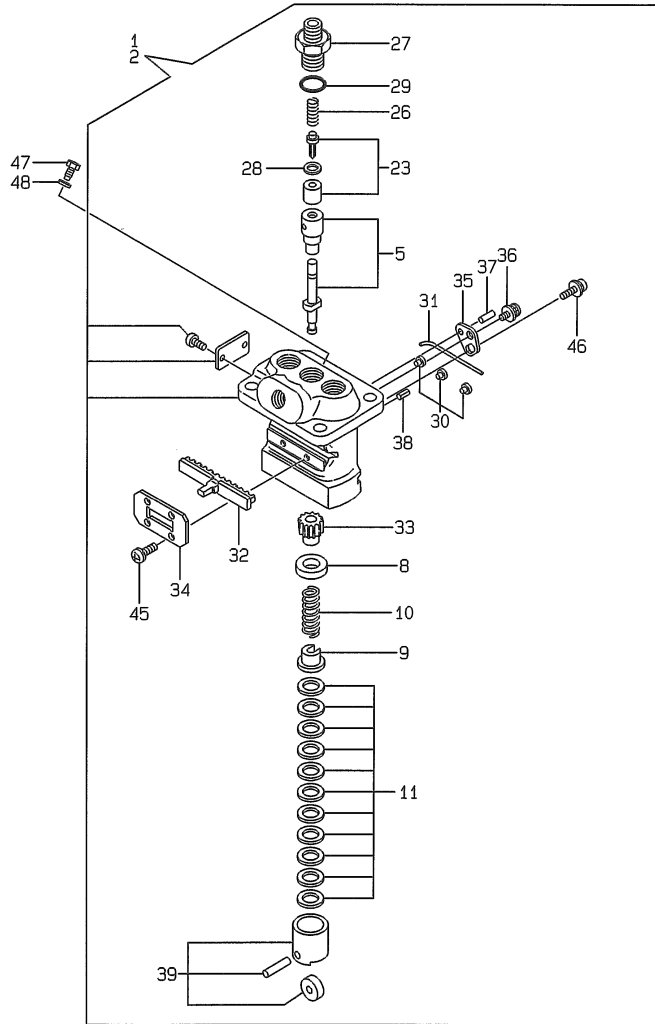
No.	Lev.	Parts No.	Description	Q'ty						I	R
				(A)	(B)	(C)	(D)	(E)	(F)		
1	1	719225-51100	PUMP ASSY, INJECTION	1	1		1	1			
1-1	1	719266-51100	PUMP ASSY, INJECTION	1	1		1	1			N
		(A=E66336)	(B=E67574)	(D=E66041)	(E=E66126)						
2	1	719266-51100	PUMP ASSY, INJECTION				1				
5	2	119225-51100	PLUNGER ASSY	3	3	3	3	3			
8	2	119620-51170	RETAINER, SPRING A	3	3	3	3	3			
9	2	119620-51180	RETAINER, SPRING B	3	3	3	3	3			
10	2	119620-51190	SPRING, PLUNGER	3	3	3	3	3			
11	2	119620-51250	SHIM SET	3	3	3	3	3			
23	2	119225-51300	VALVE ASSY, DELIVERY	3	3	3	3	3			
26	2	105546-51330	SPRING, DELIVERY	3	3	3	3	3			
27	2	119620-51340	HOLDER, DELIVERY	3	3	3	3	3			
28	2	119620-51350	GASKET	3	3	3	3	3			
29	2	119620-51370	O-RING	3	3	3	3	3			
30	2	119620-51450	PIECE	3	3	3	3	3			
31	2	119620-51461	PIN	1	1	1	1	1			
32	2	119660-51500	RACK, CONTROL	1	1	1	1	1			
33	2	119620-51510	PINION	3	3	3	3	3			
34	2	119660-51530	RETAINER, RACK	1	1	1	1	1			
35	2	119620-51650	PLATE	2	2	2	2	2			
36	2	119620-51660	SCREW	2	2	2	2	2			
37	2	119620-51670	PIN	2	2	2	2	2			
38	2	119620-51680	PIN	1	1	1	1	1			
39	2	119620-51700	TAPPET ASSY	3	3	3	3	3			
45	2	26022-040082	SCREW, M4X 8	4	4	4	4	4			
46	2	26033-040102	SCREW, M4X10	2	2	2	2	2			
47	1	119266-51900	BOLT	1	1	1	1	1			W
		(A=E66336)	(B=E67574)	(C=E66040)	(D=E66041)	(E=E66126)					
48	1	22190-080002	WASHER, SEAL 6	1	1	1	1	1			W
		(A=E66336)	(B=E67574)	(C=E66040)	(D=E66041)	(E=E66126)					

Remarks
 * FOR 3TNE68C-SA01,G1A01.

(A)=3TNE68-SA
(B)=3TNE68-G1A01
(C)=3TNE68-G2A01

(D)=3TNE68C(E)SA
(E)=3TNE68C(E)G1
(F)=

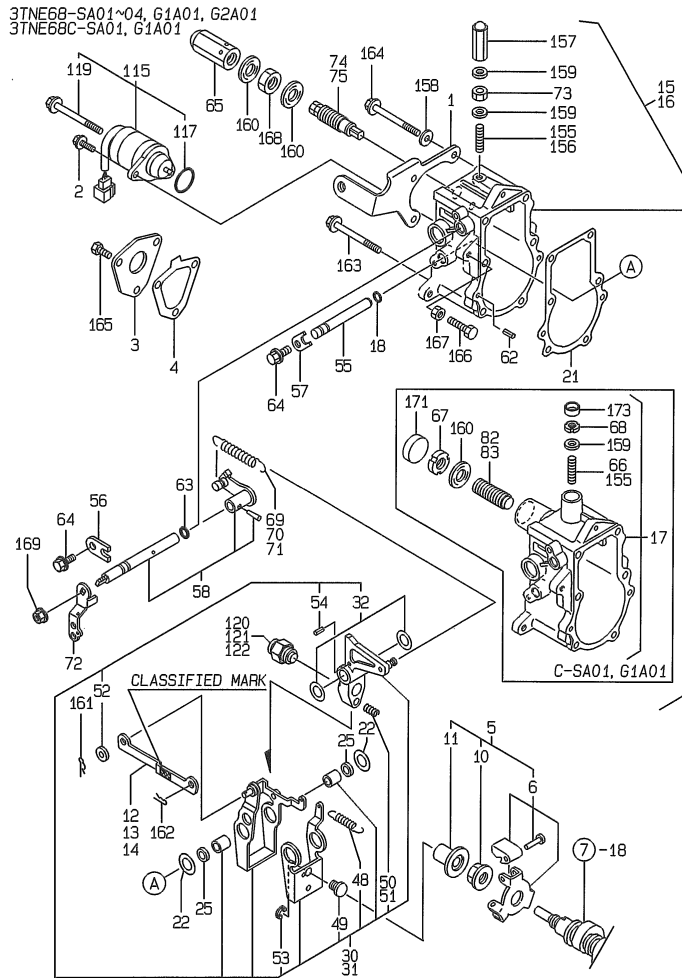
3TNE68C-ESA01, EG1A01



No.	Lev.	Parts No.	Description	Q'ty						I	R
				(A)	(B)	(C)	(D)	(E)	(F)		
1	1	719215-51710	PUMP ASSY, INJECTION (D=E75137)				1				W
2	1	719265-51700	PUMP ASSY, INJECTION (E=E66358)					1			W
5	2	119225-51100	PLUNGER ASSY				3	3			
8	2	119620-51170	RETAINER, SPRING A				3	3			
9	2	119620-51180	RETAINER, SPRING B				3	3			
10	2	119620-51190	SPRING, PLUNGER				3	3			
11	2	119620-51250	SHIM SET				3	3			
23	2	119225-51300	VALVE ASSY, DELIVERY				3	3			
26	2	105546-51330	SPRING, DELIVERY				3	3			
27	2	119620-51340	HOLDER, DELIVERY				3	3			
28	2	119620-51350	GASKET				3	3			
29	2	119620-51370	O-RING				3	3			
30	2	119620-51450	PIECE				3	3			
31	2	119620-51461	PIN				1	1			
32	2	119660-51500	RACK, CONTROL				1	1			
33	2	119620-51510	PINION				3	3			
34	2	119660-51530	RETAINER, RACK				1	1			
35	2	119620-51650	PLATE				2	2			
36	2	119620-51660	SCREW				2	2			
37	2	119620-51670	PIN				2	2			
38	2	119620-51680	PIN				1	1			
39	2	119620-51700	TAPPET ASSY				3	3			
45	2	26022-040082	SCREW, M4X 8				4	4			
46	2	26033-040102	SCREW, M4X10				2	2			
47	1	119266-51900	BOLT				1	1			Z 1
48	1	22190-080002	WASHER, SEAL 6 (D=E75136) (E=E66358)				1	1			Z 1

Remarks
* FOR 3TNE68C-ESA01,EG1A01.
(1) REFER TO FIG.16.

(A)=3TNE68-SA
 (B)=3TNE68-G1A01
 (C)=3TNE68-G2A01

 (D)=3TNE68C(E)SA
 (E)=3TNE68C(E)G1
 (F)=


No.	Lev.	Parts No.	Description	Q'ty						I	R
				(A)	(B)	(C)	(D)	(E)	(F)		
1	1	119288-55901	BRACKET, FILTER	1	1	1	1	1			
2	1	121465-59950	BOLT, M6X16	1	1	1	1	1			
3	1	119660-61060	COVER, GOVERNOR CASE	1	1	1	1	1			
4	1	119660-61071	GASKET	1	1	1	1	1			
5	1	119600-61100	DRIVE ASSY	1	1	1	1	1			
6	2	119600-61200	WEIGHT ASSY,GOVERNOR	1	1	1	1	1			
10	2	119660-61300	NUT	1	1	1	1	1			
11	2	119660-61341	SLEEVE	1	1	1	1	1			
12	1	119660-61121	LINK, NO MARK	1	1	1	1	1		1	
13	1	119660-61140	LINK, MARK :2	1	1	1	1	1		1	
14	1	119660-61150	LINK, MARK :3	1	1	1	1	1		1	
15	1	119632-61200	CASE ASSY, GOVERNOR	1	1						
16	1	119288-61200	CASE ASSY, GOVERNOR			1					
17	1	119623-61200	CASE ASSY, GOVERNOR				1	1			
18	2	129155-51280	O-RING, S6	1	1	1	1	1			
21	2	119660-61052	GASKET	1	1	1	1	1			
22	2	119660-61460	SHIM SET	1	1	1	1	1			
25	2	129155-61480	SPACER ASSY	2	2	2	2	2			
30	2	119232-61550	LEVER ASSY, GOVERNOR	1	1			1	1		
30-1	2	119232-61510	LEVER ASSY, GOVERNOR	1	1			1	1	N	
		(A=E-XXXX)	(B=E-XXXX)	(D=E-XXXX)	(E=E-XXXX)						
31	2	119288-61510	LEVER ASSY, GOVERNOR					1			
32	3	174307-51700	SHIM SET	2	2	2	2	2			
48	3	119232-61540	SPRING	1	1	1	1	1			
49	3	119600-61541	SHIFTER	1	1	1	1	1			
50	3	119660-61651	SPRING, STARTING	1	1			1	1		
51	3	119600-61650	SPRING, STARTING					1			
52	3	22117-040000	WASHER, 4	1	1	1	1	1			
53	3	22272-000040	RING, E- 4	1	1	1	1	1			
54	3	22351-030014	PIN, SPRING 3.0X14	1	1	1	1	1			
55	2	119660-61491	SHAFT	1	1	1	1	1			
55-1	2	119660-61590	SHAFT	1	1	1	1	1		N	
		(A=E-XXXX)	(B=E-XXXX)	(C=E-XXXX)	(D=E-XXXX)	(E=E-XXXX)					
56	2	119600-61900	RETAINER, SHAFT	1	1	1	1	1			
57	2	119660-61901	RETAINER, SHAFT	1	1	1	1	1			
58	2	119285-66080	SHAFT ASSY	1	1	1	1	1			
62	2	22351-040010	PIN, SPRING 4.0X10	2	2	2	2	2			
63	2	24341-000070	O-RING, 1AS7.0	1	1	1	1	1			
64	2	26106-060102	BOLT, M6X 10 PLATED	2	2	2	2	2			
65	1	129100-61930	NUT, CAP	1	1	1					
66	1	119988-61460	BOLT, LIMITER					1			
67	1	119685-61940	NUT, M12					1	1		
68	1	119685-61950	NUT, M6					1	1		
69	1	119600-66020	SPRING, REGULATOR	1				1			
70	1	119260-66010	SPRING, REGULATOR			1					
71	1	119489-66010	SPRING, REGULATOR		1				1		
72	1	119621-66051	LEVER, REGULATOR	1	1	1	1	1			
73	1	124550-66370	NUT, M6	1	1	1					
74	1	119600-66530	LIMITER ASSY, FUEL	1							
75	1	119629-66510	LIMITER ASSY, FUEL		1	1					
82	1	119621-66500	LIMITER ASSY, FUEL					1			

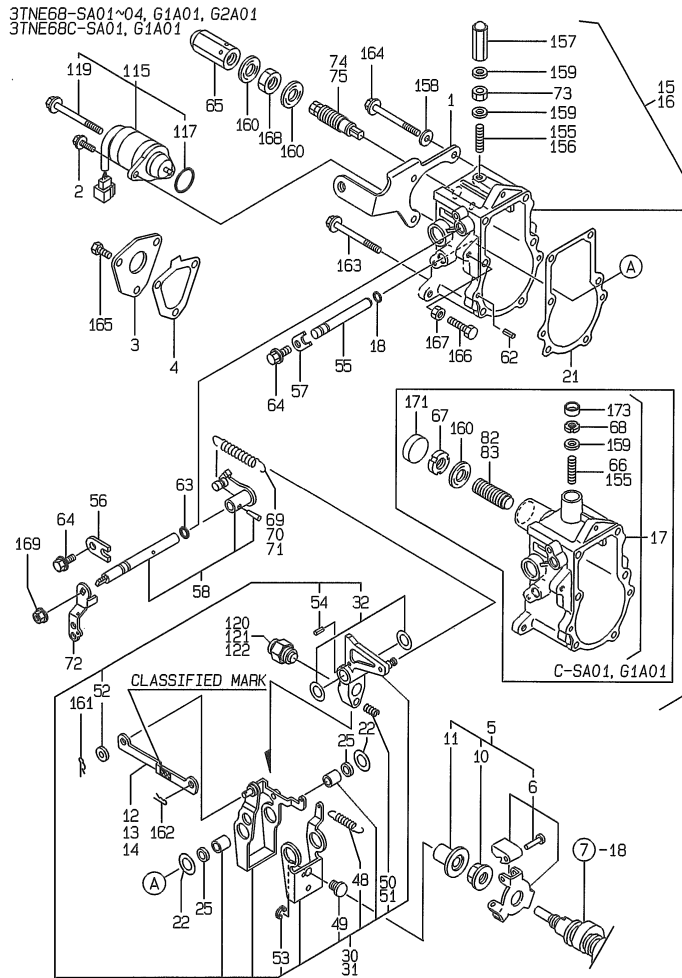
Remarks

(1) SELECTIVE PARTS: CERTAIN THE CLASSIFICATION MARK, THEN PLACE YOUR ORDER.(REFER TO ILLUSTRATION).

(2) REPAIR PART.

* FOR 3TNE68C-SA01,G1A01.

(A)=3TNE68-SA
 (B)=3TNE68-G1A01
 (C)=3TNE68-G2A01

 (D)=3TNE68C(E)SA
 (E)=3TNE68C(E)G1
 (F)=


No.	Lev.	Parts No.	Description	Q'ty						I	R
				(A)	(B)	(C)	(D)	(E)	(F)		
83	1	119489-66500	LIMITER ASSY, FUEL								
115	1	119653-66500	STOPPER ASSY	1	1	1	1	1	1		
117	2	24341-000280	O-RING, 1AS28.0	1	1	1	1	1	1		
119	2	26106-060952	BOLT, M6X 95 PLATED	1	1	1	1	1	1		
119-1	2	119620-01530	BOLT	1	1	1	1	1	1		N
		(A=EXXX) (B=EXXX) (C=EXXX) (D=EXXX) (E=EXXX)									
120	1	119654-66700	ANGLEICH ASSY	1				1			
121	1	119610-66700	ANGLEICH ASSY		1				1		
122	1	119260-66720	ANGLEICH ASSY			1					
155	1	121575-66830	SCREW	1		1			1		
156	1	171002-66830	SCREW		1						
157	1	119600-66840	NUT, CAP	1	1	1					
158	1	22111-060000	WASHER 6	3	3	3	3	3	3		
159	1	22190-060003	WASHER, SEAL 6	2	2	2	1	1	1		
160	1	22190-120002	WASHER, SEAL 12	2	2	2	1	1	1		
161	1	22360-040000	PIN, SNAP 4	1	1	1	1	1	1		
162	1	22360-060000	PIN, SNAP 6	1	1	1	1	1	1		
163	1	26106-060702	BOLT, M6X 70 PLATED	2	2	2	2	2	2		
164	1	26106-060752	BOLT, M6X 75 PLATED	3	3	3	3	3	3		
165	1	26116-050102	BOLT, M5X 10 PLATED	3	3	3	3	3	3		
166	1	26116-060304	BOLT, M6X 30 PLATED	1	1	1	1	1	1		
167	1	26756-060002	NUT, LOCK M6	1	1	1	1	1	1		
168	1	26776-120002	NUT, LOCK M12	1	1	1					
168-1	1	26736-120002	NUT, M12	1	1	1					N
		(A=E77768) (B=E79427) (C=E77758)									
169	1	194990-22050	NUT, M8	1	1	1	1	1	1		
169-1	1	26366-080002	NUT, M8	1	1	1					N
		(A=EXXX) (B=EXXX) (C=EXXX)									
171	1	119621-66610	PLUG, 22				1	1			2
173	1	119621-66710	PLUG, 14				1	1			2

Remarks

(1) SELECTIVE PARTS: CERTAIN THE CLASSIFICATION MARK, THEN PLACE YOUR ORDER.(REFER TO ILLUSTRATION).

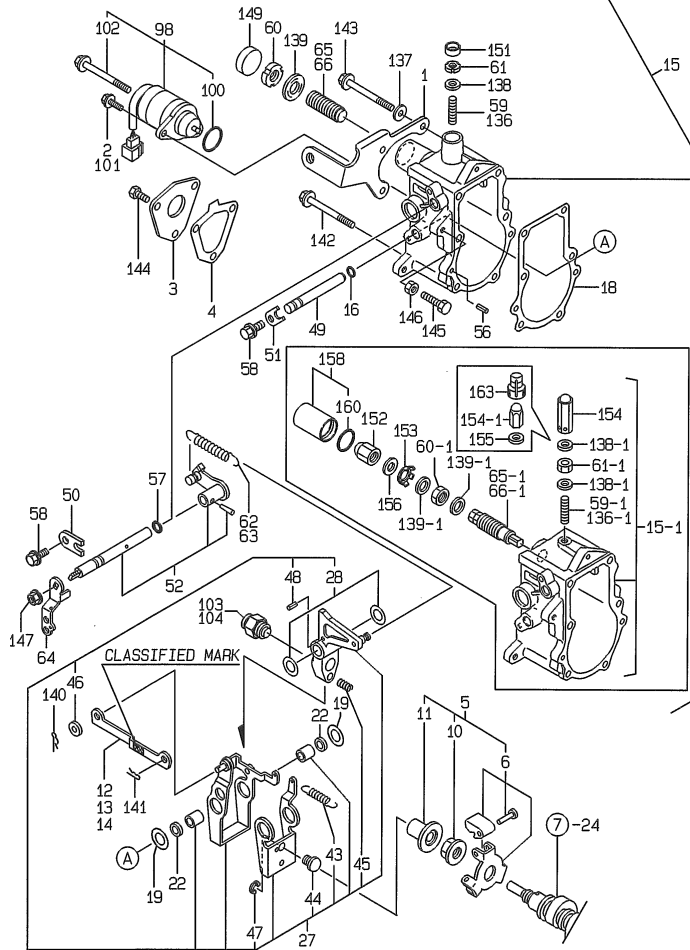
(2) REPAIR PART.

* FOR 3TNE68C-SA01,G1A01.

(A)=3TNE68-SA
 (B)=3TNE68-G1A01
 (C)=3TNE68-G2A01

 (D)=3TNE68C(E)SA
 (E)=3TNE68C(E)G1
 (F)=

3TNE68C-ESA01, EG1A01



No.	Lev.	Parts No.	Description	Qty						I	R
				(A)	(B)	(C)	(D)	(E)	(F)		
1	1	119288-55901	BRACKET, FILTER				1	1			
2	1	121465-59950	BOLT, M6X16				1	1			Z
				(D=E75136)							
3	1	119660-61060	COVER, GOVERNOR CASE				1	1			
4	1	119660-61071	GASKET				1	1			
5	1	119600-61300	DRIVE ASSY				1	1			
6	2	119600-61400	WEIGHT ASSY, GOVERNOR				1	1			
10	2	119660-61300	NUT				1	1			
11	2	119660-61341	SLEEVE				1	1			
12	1	119660-61121	LINK, NO MARK				1	1			1
13	1	119660-61140	LINK, MARK :2				1	1			1
14	1	119660-61150	LINK, MARK :3				1	1			1
15	1	119623-61200	CASE ASSY, GOVERNOR				1	1			
15-1	1	119632-61200	CASE ASSY, GOVERNOR				1	1			S
				(D=E75136) (E=E66358)							
16	2	129155-51280	O-RING, S6				1	1			
18	2	119660-61052	GASKET				1	1			
19	2	119660-61460	SHIM SET				1	1			
22	2	129155-61480	SPACER ASSY				2	2			
27	2	119232-61510	LEVER ASSY, GOVERNOR				1	1			
28	3	174307-51700	SHIM SET				2	2			
43	3	119232-61540	SPRING				1	1			
44	3	119600-61541	SHIFTER				1	1			
45	3	119660-61651	SPRING, STARTING				1	1			
46	3	22117-040000	WASHER, 4				1	1			
47	3	22272-000040	RING, E- 4				1	1			
48	3	22351-030014	PIN, SPRING 3.0X14				1	1			
49	2	119660-61590	SHAFT				1	1			
50	2	119600-61900	RETAINER, SHAFT				1	1			
51	2	119660-61901	RETAINER, SHAFT				1	1			
52	2	119285-66080	SHAFT ASSY				1	1			
56	2	22351-040010	PIN, SPRING 4.0X10				2	2			
57	2	24341-000070	O-RING, 1AS7.0				1	1			
58	2	26106-060102	BOLT, M6X 10 PLATED				2	2			
59	1	119988-61460	BOLT, LIMITER				1				
59-1	1	121575-66830	SCREW				1				S
				(D=E75136)							
60	1	119685-61940	NUT, M12				1	1			
60-1	1	26776-120002	NUT, LOCK M12				1	1			S
				(D=E75136) (E=E66358)							
60-2	1	26736-120002	NUT, M12				1	1			N
				(D=E75136) (E=E66358)							
61	1	119685-61950	NUT, M6				1	1			
61-1	1	124550-66370	NUT, M6				1	1			S
				(D=E75136) (E=E66358)							
61-2	1	26857-060002	NUT, M6				1	1			N
				(D=E75136) (E=E66358)							
62	1	119600-66020	SPRING, REGULATOR				1				
62-1	1	119245-66010	SPRING, REGULATOR				1				N
				(D=E75136)							
63	1	119489-66010	SPRING, REGULATOR						1		

Remarks

(1) SELECTIVE PARTS: CERTAIN THE CLASSIFICATION MARK, THEN PLACE YOUR ORDER. (REFER TO ILLUSTRATION).

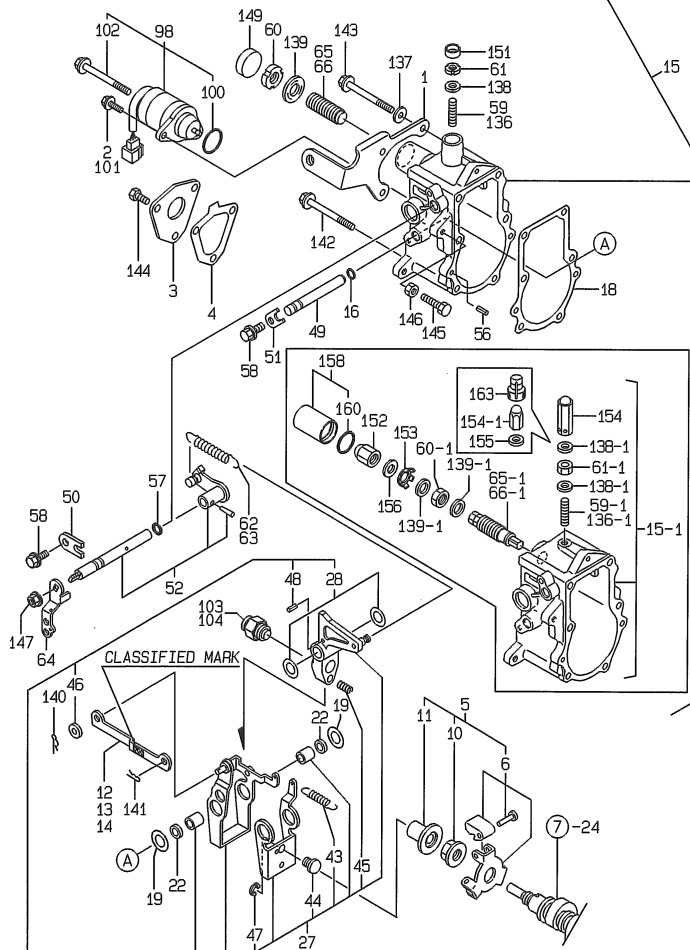
(2) REPAIR PART.

* FOR 3TNE68C-ESA01, EG1A01.

(A)=3TNE68-SA
 (B)=3TNE68-G1A01
 (C)=3TNE68-G2A01

 (D)=3TNE68C(E)SA
 (E)=3TNE68C(E)G1
 (F)=

3TNE68C-ESA01, EG1A01



No.	Lev.	Parts No.	Description	Qty						I	R
				(A)	(B)	(C)	(D)	(E)	(F)		
64	1	119621-66051	LEVER, REGULATOR				1	1			
65	1	119621-66500	LIMITER ASSY, FUEL				1				
65-1	1	119600-66530	LIMITER ASSY, FUEL				1				S
			(D=E75136)								
66	1	119489-66500	LIMITER ASSY, FUEL					1			
66-1	1	119629-66510	LIMITER ASSY, FUEL					1			S
			(E=E66358)								
98	1	119653-66500	STOPPER ASSY				1	1			
100	2	24341-000280	O-RING, 1AS28.0				1	1			
101	2	26106-060162	BOLT, M6X 16 PLATED				1	1			Z
			(E=FROM 1ST)								
102	2	26106-060952	BOLT, M6X 95 PLATED				1	1			
102-1	2	119620-01530	BOLT				1	1			N
			(D=E75136)								
			(E=E75136)								
103	1	119610-66700	ANGLEICH ASSY					1			
104	1	119654-66700	ANGLEICH ASSY				1				
104-1	1	119600-66720	ANGLEICH ASSY				1				N
			(D=E75136)								
			(E=E75136)								
136	1	121575-66830	SCREW					1			
136-1	1	171002-66830	SCREW					1			S
			(E=E66358)								
137	1	22111-060000	WASHER 6				3	3			
137-1	1	22111-060000	WASHER 6				2	2			K
			(D=E75136)								
			(E=E66358)								
138	1	22190-060003	WASHER, SEAL 6				1	1			
138-1	1	22190-060003	WASHER, SEAL 6				2	2			K
			(D=E75136)								
			(E=E66358)								
138-2	1	22190-060003	WASHSE, SEAL				1	1			K
			(D=E75136)								
			(E=E75136)								
139	1	22190-120002	WASHER, SEAL 12				1	1			
139-1	1	22190-120002	WASHER, SEAL 12				2	2			K
			(D=E75136)								
			(E=E66358)								
140	1	22360-040000	PIN, SNAP 4				1	1			
141	1	22360-060000	PIN, SNAP 6				1	1			
142	1	26106-060702	BOLT, M6X 70 PLATED				2	2			
143	1	26106-060752	BOLT, M6X 75 PLATED				3	3			
144	1	26116-050102	BOLT, M5X 10 PLATED				3	3			
145	1	26116-060304	BOLT, M6X 30 PLATED				1	1			
145-1	1	119266-61460	BOLT				1	1			R
			(D=E75137)								
			(E=E66358)								
146	1	26756-060002	NUT, LOCK M6				1	1			
147	1	194990-22050	NUT, M8				1	1			
147-1	1	26366-080002	NUT, M8					1			N
			(E=E75136)								
			(E=E66358)								
149	1	119621-66610	PLUG, 22				1	1			Z 2
			(D=E75136)								
			(E=E66358)								
151	1	119621-66710	PLUG, 14				1	1			Z 2
			(D=E75136)								
			(E=E66358)								
152	1	129100-61930	NUT, CAP				1	1			W
			(D=E75136)								
			(E=E66358)								
153	1	129209-61970	PLATE				1	1			W

Remarks

(1) SELECTIVE PARTS: CERTAIN THE CLASSIFICATION MARK, THEN PLACE YOUR ORDER.(REFER TO ILLUSTRATION).

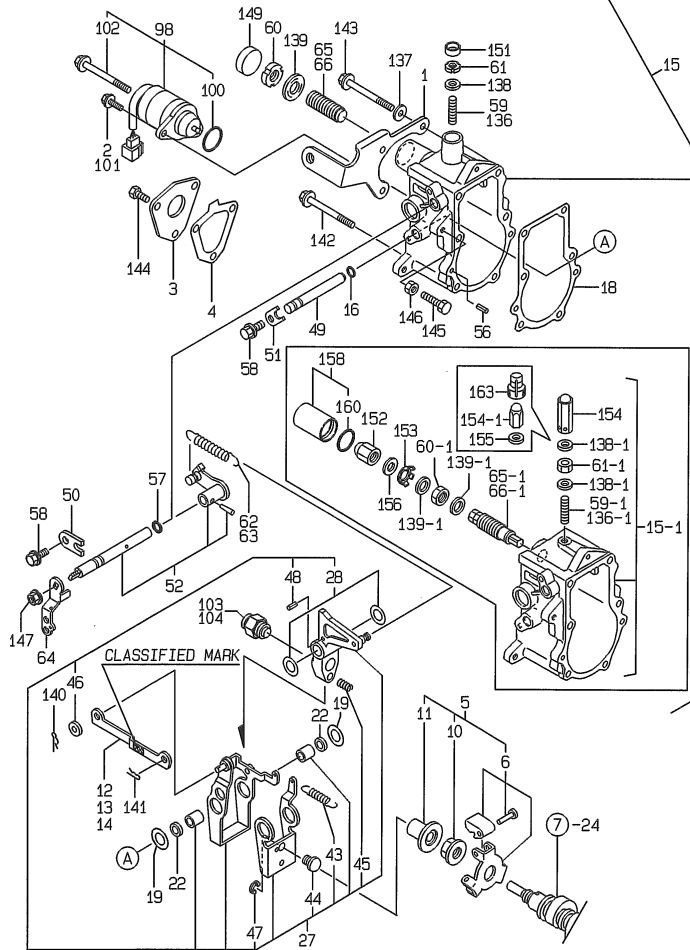
(2) REPAIR PART.

* FOR 3TNE68C-ESA01,EG1A01.

(A)=3TNE68-SA
 (B)=3TNE68-G1A01
 (C)=3TNE68-G2A01

 (D)=3TNE68C(E)SA
 (E)=3TNE68C(E)G1
 (F)=

3TNE68C-ESA01, EG1A01



No.	Lev.	Parts No.	Description	Q'ty						I	R
				(A)	(B)	(C)	(D)	(E)	(F)		
154	1	119600-66840	NUT, CAP	(D=E75136)	(E=E66358)			1	1		W
154-1	1	119285-66600	NUT, CAP M6	(D=E75136)	(E=E66358)			1	1		S
155	1	119285-66620	GASKET	(D=E75136)	(E=E66358)			1	1		W
156	1	23414-120016	GASKET, 12X1.0	(D=E75136)	(E=E66358)			1	1		W
158	1	129209-61940	CASE ASSY	(D=E75136)	(E=E66358)			1	1		W
160	2	24311-000150	O-RING, 1AP15.0	(D=E75136)	(E=E66358)			1	1		W
163	1	119285-66650	CAP, HIGH-IDLE	(D=E75136)	(E=E66358)			1	1		W 2

Remarks

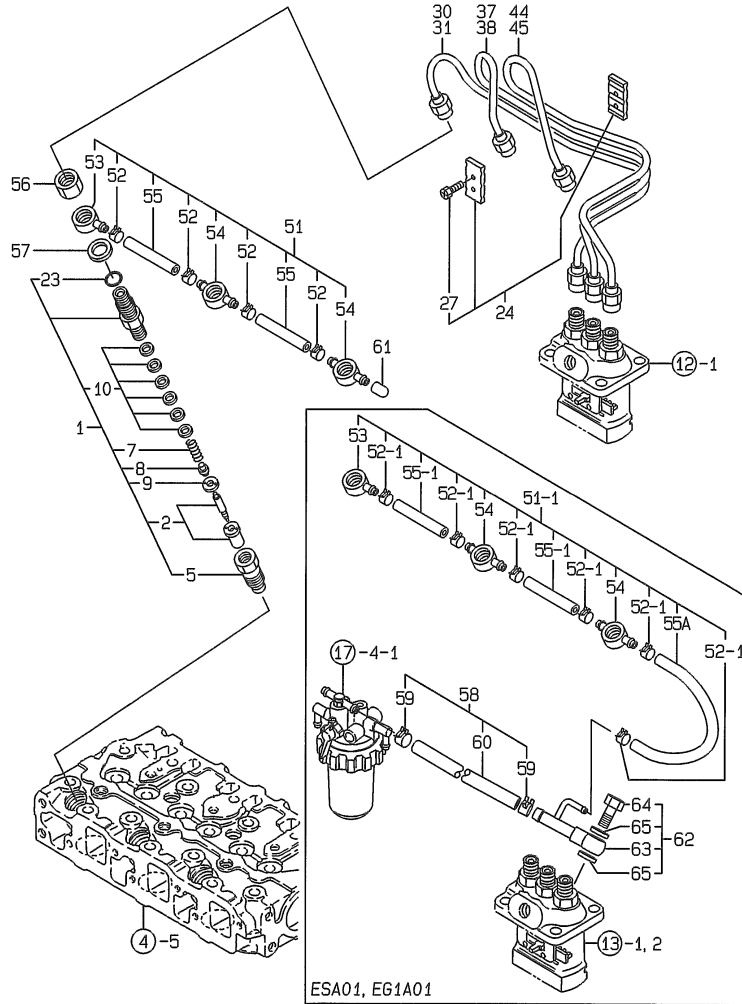
(1) SELECTIVE PARTS: CERTAIN THE CLASSIFICATION MARK, THEN PLACE YOUR ORDER.(REFER TO ILLUSTRATION).

(2) REPAIR PART.

* FOR 3TNE68C-ESA01,EG1A01.

(A)=3TNE68-SA
(B)=3TNE68-G1A01
(C)=3TNE68-G2A01

(D)=3TNE68C(E)SA
(E)=3TNE68C(E)G1
(F)=



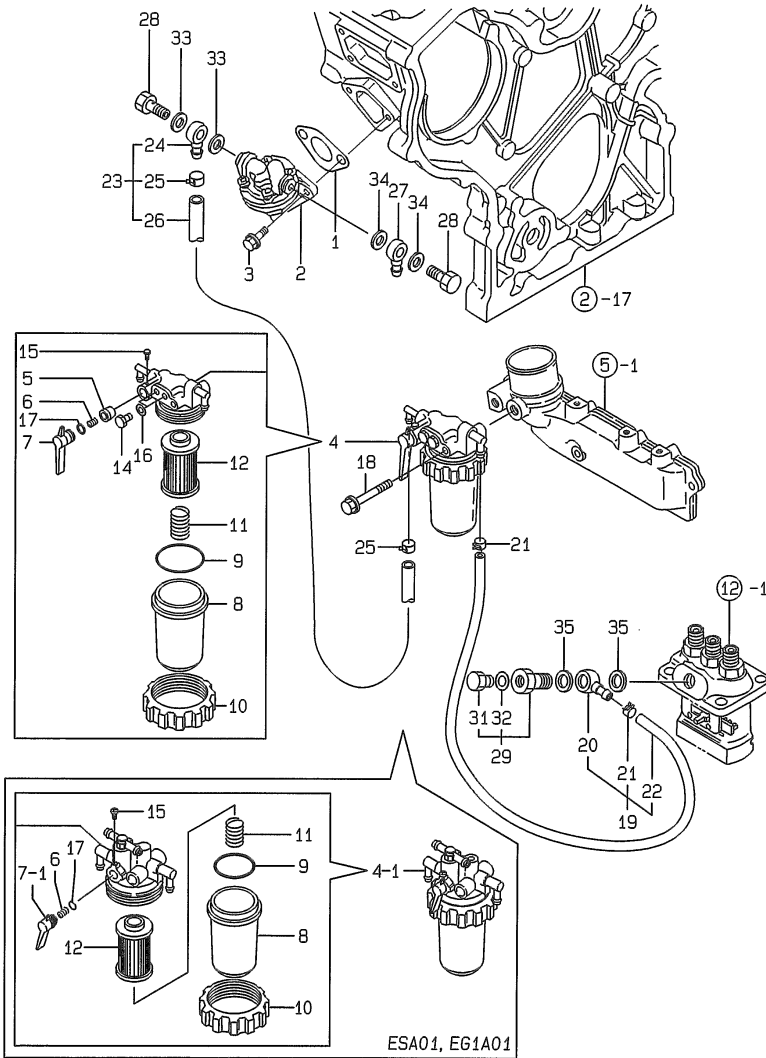
ESA01, EG1A01

No.	Lev.	Parts No.	Description	Q'ty						I	R	
				(A)	(B)	(C)	(D)	(E)	(F)			
1	1	719620-53700	VALVE ASSY,INJECTION	3	3	3	3	3				
2	2	119620-53000	VALVE ASSY,INJECTION	3	3	3	3	3				
5	2	119620-53080	NUT, NOZZLE	3	3	3	3	3				
7	2	119620-53120	SPRING, NOZZLE	3	3	3	3	3				
8	2	114250-53130	SEAT, SPRING	3	3	3	3	3				
9	2	119620-53140	SPACER, VALVE STOP	3	3	3	3	3				
10	2	114250-53400	SHIM SET	3	3	3	3	3				
23	2	129155-61830	O-RING, S10	3	3	3	3	3				
24	1	129150-59120	RETAINER, PIPE	1	1	1	1	1				
27	2	129150-59131	BOLT, M4X14	2	2	2	2	2				
30	1	119209-59810	PIPE ASSY, INJECTION	1	1		1	1				
31	1	119225-59810	PIPE ASSY, INJECTION			1						
37	1	119209-59820	PIPE ASSY, INJECTION	1	1		1	1				
38	1	119260-59820	PIPE ASSY, INJECTION			1						
44	1	119209-59830	PIPE ASSY, INJECTION	1	1		1	1				
45	1	119260-59830	PIPE ASSY, INJECTION			1						
51	1	119260-59540	PIPE ASSY, RETURN	1	1	1	1	1				
51-1	1	119266-59540	PIPE ASSY, FUEL				1	1		N 1		
52	2	124066-59100	CLIP, HOSE 8	(D=E75136)	(E=E66358)	4	4	4	4	4		
52-1	2	124066-59100	CLIP, HOSE 8						6	6	K 1	
53	2	119260-59520	JOINT	(D=E75136)	(E=E66358)	1	1	1	1	1		
54	2	119260-59530	JOINT			2	2	2	2	2		
55	2	119260-59550	PIPE, FUEL			2	2	2	2	2		
55-1	2	105025-59550	PIPE, FUEL RETURN	(D=E75136)	(E=E66358)				2	2	N 1	
55A	2	119000-59560	PIPE, FUEL RETURN	(D=E75136)	(E=E66358)				1	1	W 1	
56	1	119620-59700	NUT, NOZZLE	(D=E75136)	(E=E66358)	3	3	3	3	3		
57	1	23414-140000	GASKET, 14X1.0			3	3	3	3	3		
57-1	1	22190-140002	WASHER, SEAL 14	(A=E64118)	(B=E64345)	(C=E64120)	(D=E64240)	(E=E64359)	3	3	3	N
58	1	719255-59560	PIPE ASSY, FUEL L190	(D=E75136)	(E=E66358)				1	1	W 1	
59	2	124766-59050	CLIP, HOSE 12	(D=E75136)	(E=E66358)				2	2	W 1	
60	2	119225-59560	PIPE, FUEL	(D=E75136)	(E=E66358)				1	1	W 1	
61	1	119309-59590	CAP, 4.2	(A=E74819)	(B=E79427)	(C=E74659)	(D=E64468)	(E=E65241)	1	1	1	W 2
62	1	119266-59501	JOINT ASSY, PIPE	(D=E75136)	(E=E66358)				1	1	W 1	
63	2	119266-59570	JOINT, OVER FLOW	(D=E75136)	(E=E66358)				1	1	W 1	
64	2	119266-59580	BOLT, PIPE JOINT M8	(D=E75136)	(E=E66358)				1	1	W 1	
65	2	22190-080002	WASHER, SEAL 6	(D=E75136)	(E=E66358)				2	2	W 1	

Remarks

- (1) FOR 3TNE68C-ESA01,EG1A01.
- (2) FOR 3TNE68C-SA01,G1A01.

(A)=3TNE68-SA
 (B)=3TNE68-G1A01
 (C)=3TNE68-G2A01

 (D)=3TNE68C(E)SA
 (E)=3TNE68C(E)G1
 (F)=


No.	Lev.	Parts No.	Description	Q'ty						I	R
				(A)	(B)	(C)	(D)	(E)	(F)		
1	1	121520-01851	GASKET	1	1	1	1	1			
2	1	119600-52021	PUMP ASSY, FUEL FEED	1	1	1	1	1			
3	1	26106-060162	BOLT, M6X 16 PLATED	2	2	2	2	2			
4	1	171059-55600	FILTER ASSY, FUEL	1	1	1	1	1			
4-1	1	119255-55620	FILTER ASSY, FUEL				1	1		N 1	
			(D=E75136)			(E=E66358)					
5	2	104200-55321	VALVE, TAPER	1	1	1	1	1		Z	
			(D=E75136)			(E=E66358)					
6	2	104200-55330	SPRING, VALVE	1	1	1	1	1			
7	2	104200-55341	HANDLE	1	1	1	1	1			
7-1	2	119810-55340	LEVER				1	1		N 1	
			(D=E75136)			(E=E66358)					
8	2	121254-55510	COVER	1	1	1	1	1			
9	2	102103-55520	O-RING	1	1	1	1	1			
10	2	110250-55610	RING, RETAINING	1	1	1	1	1			
11	2	121250-55620	SPRING	1	1	1	1	1			
12	2	124550-55700	FILTER, FUEL L=90	1	1	1	1	1			
14	2	101720-55750	PLUG, 6	2	2	2	2	2		Z	
			(D=E75136)			(E=E66358)					
15	2	104200-55750	SCREW, M4	1	1	1	1	1			
16	2	23418-060000	GASKET, 6X1.0	2	2	2	2	2		Z	
			(D=E75136)			(E=E66358)					
17	2	24311-240100	O-RING, 1AP10A	1	1	1	1	1			
18	1	26014-080702	BOLT, M8X 70	1	1	1	1	1			
19	1	119621-59010	PIPE ASSY, FUEL	1	1	1	1	1			
20	2	101304-59020	JOINT, PIPE 12	1	1	1	1	1			
21	2	124766-59050	CLIP, HOSE 12	2	2	2	2	2			
22	2	121024-59090	PIPE, FUEL D12X450	1	1	1	1	1			
23	1	119260-59020	PIPE ASSY, D12XL400	1	1	1	1	1			
24	2	104264-59030	JOINT, PIPE 8	1	1	1	1	1			
25	2	124766-59050	CLIP, HOSE 12	2	2	2	2	2			
26	2	121024-59090	PIPE, FUEL D12X450	1	1	1	1	1			
27	1	104264-59030	JOINT, PIPE 8	1	1	1	1	1			
28	1	105582-59150	BOLT, PIPE JOINT	2	2	2	2	2			
29	1	103854-59191	BOLT ASSY, JOINT M12	1	1	1	1	1			
31	2	124060-59380	PLUG, 6	1	1	1	1	1			
32	2	22190-060002	WASHER, SEAL 6	1	1	1	1	1			
33	1	22190-080002	WASHER, SEAL 6	2	2	2	2	2			
34	1	22190-080002	WASHER, SEAL 6	2	2	2	2	2			
35	1	104200-59170	GASKET, 12	2	2	2	2	2			
35-1	1	22190-120002	WASHER, SEAL 12	2	2	2	2	2		N	
		(A=E64118)	(B=E64345)	(C=E64120)	(D=E64240)	(E=E64359)					

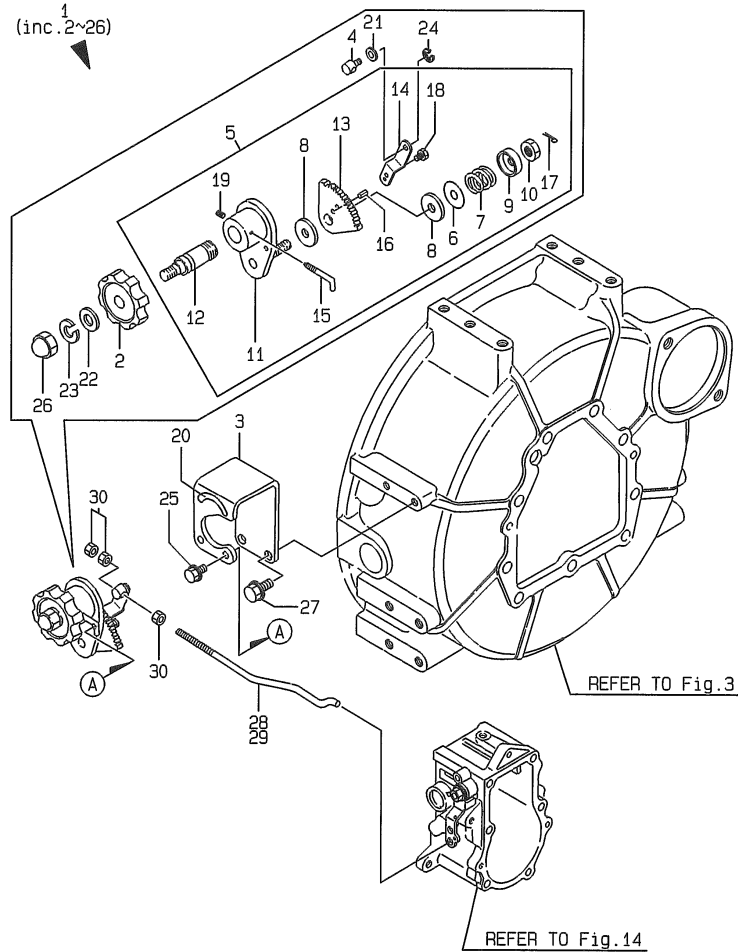
Remarks

(1) FOR 3TNE68C-ESA01,EG1A01.

 N:Old $\xrightarrow{\text{Yes}}$ New, Q:Old $\xrightarrow{\text{No}}$ New, R:Old $\xrightarrow{\text{Yes}}$ New, S:Old $\xrightarrow{\text{No}}$ New, W:Add, Z:Discontinued, F:Interchangeable by set, K:Q'ty Change

(A)=3TNE68-SA
 (B)=3TNE68-G1A01
 (C)=3TNE68-G2A01

(D)=3TNE68C(E)SA
 (E)=3TNE68C(E)G1
 (F)=

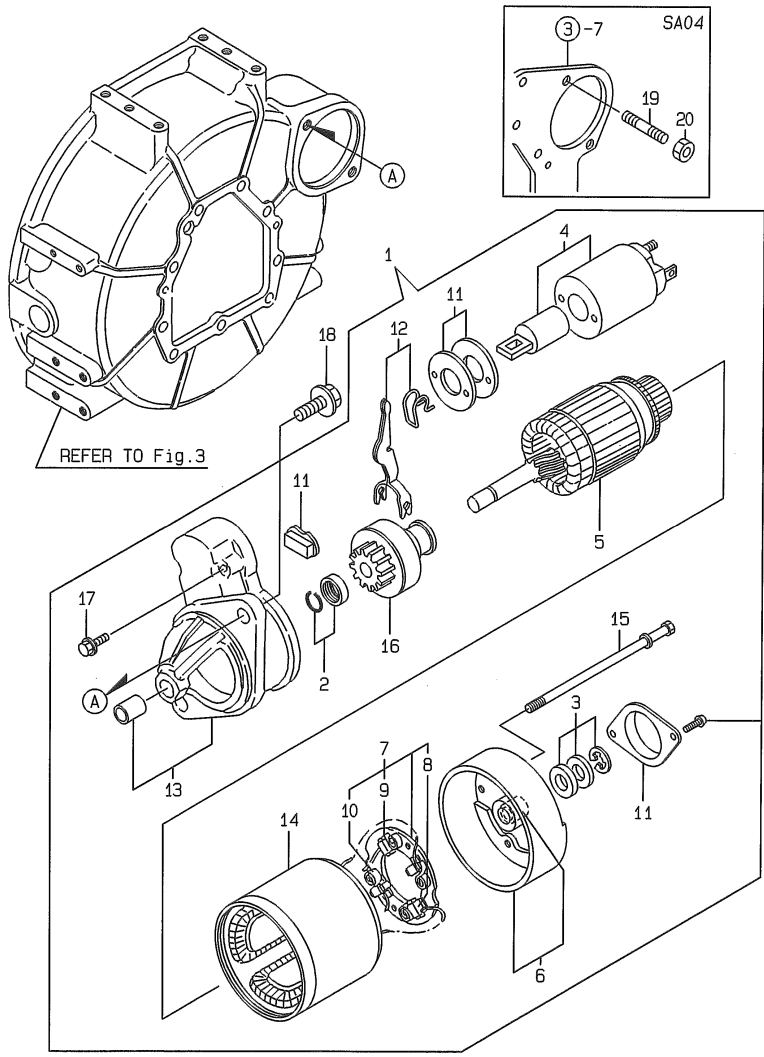


No.	Lev.	Parts No.	Description	Q'ty						I	R
				(A)	(B)	(C)	(D)	(E)	(F)		
1	1	119888-66160	CONTROLLER ASSY	1	1	1	1	1			
2	2	126650-66020	HANDLE, REGULATOR	1	1	1	1	1			
3	2	119888-66110	BRACKET	1	1	1	1	1			
4	2	119888-66130	PIVOT	1	1	1	1	1			
5	2	171048-67010	CONTROLLER ASSY	1	1	1	1	1			
6	3	171102-66080	WASHER	1	1	1	1	1			
7	3	104200-66820	SPRING	1	1	1	1	1			
8	3	104200-66830	PLATE, FRICTION	2	2	2	2	2			
9	3	104200-66850	WASHER	1	1	1	1	1			
10	3	104200-66860	NUT	1	1	1	1	1			
11	3	171085-67100	BRACKET	1	1	1	1	1			
12	3	171085-67110	SHAFT, DRIVE	1	1	1	1	1			
13	3	171085-67120	GEAR	1	1	1	1	1			
14	3	171048-67130	LEVER	1	1	1	1	1			
15	3	171048-67140	STOPPER	1	1	1	1	1			
16	3	22351-020006	PIN, SPRING 2.0X 6	1	1	1	1	1			
17	3	22411-200150	PIN 2.0* 15	1	1	1	1	1			
18	3	26116-060082	BOLT, M6X 8 PLATED	1	1	1	1	1			
19	3	26921-050122	SCREW, M5X12	1	1	1	1	1			
20	2	170064-67210	LABEL, HANDLE	1	1	1	1	1			
21	2	22117-060000	WASHER, 6	1	1	1	1	1			
22	2	22137-100000	WASHER, 10	1	1	1	1	1			
23	2	22217-100000	WASHER, SPRING 10	1	1	1	1	1			
24	2	22272-000050	RING, E- 5	1	1	1	1	1			
25	2	26106-060102	BOLT, M6X 10 PLATED	2	2	2	2	2			
26	2	26657-100002	NUT, CAP M10	1	1	1	1	1			
27	1	26106-080162	BOLT, M8X 16 PLATED	2	2	2	2	2			
28	1	119288-66120	LINK, ENGINE CONTROL	1	1		1	1			
29	1	119288-66160	LINK, ENGINE CONTROL			1					
30	1	26756-050002	NUT, LOCK M5	3	3	3	3	3			

Remarks
 * FOR 3TNE68-SA01,02,03.

(A)=3TNE68-SA
 (B)=3TNE68-G1A01
 (C)=3TNE68-G2A01

(D)=3TNE68C(E)SA
 (E)=3TNE68C(E)G1
 (F)=

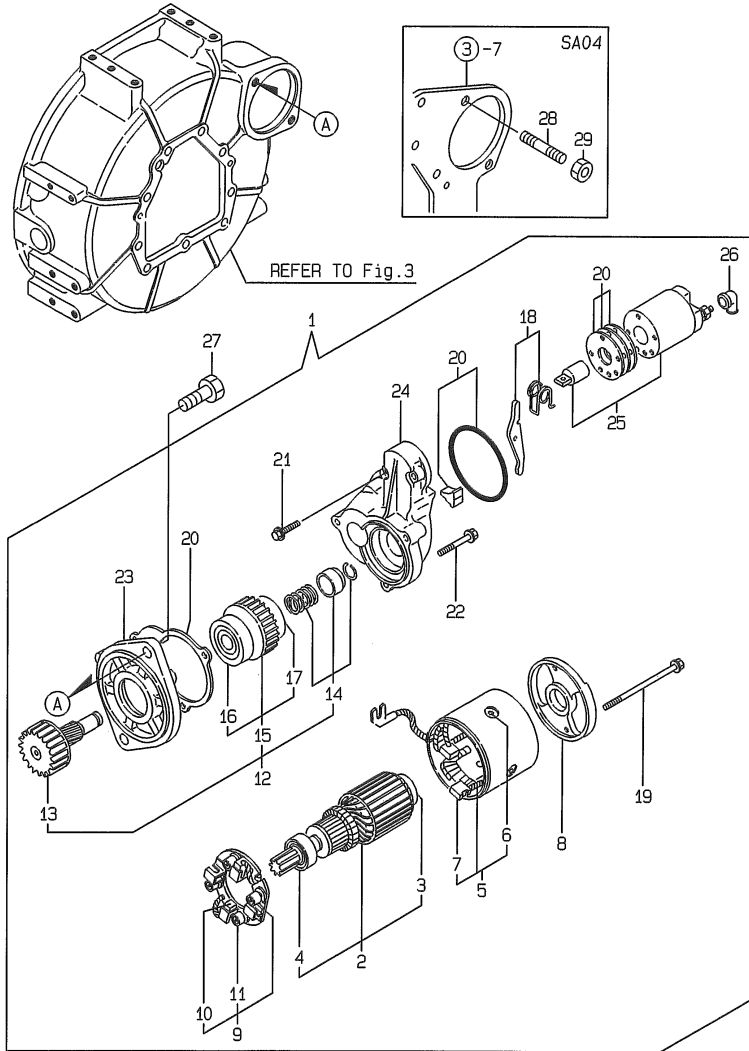


No.	Lev.	Parts No.	Description	Q'ty						I	R
				(A)	(B)	(C)	(D)	(E)	(F)		
1	1	119631-77011	STARTING MOTOR	1	1	1	1	1			
2	2	X2114715500	STOPPER SET, PINION	1	1	1	1	1			
3	2	X2114811000	WASHER KIT, THRUST	1	1	1	1	1			
4	2	124298-77020	SWITCH, MAGNETIC	1	1	1	1	1			
5	2	114371-77110	ARMATURE	1	1	1	1	1			
6	2	114371-77140	COVER ASSY, REAR	1	1	1	1	1			
7	2	114371-77160	HOLDER ASSY, BRUSH	1	1	1	1	1			
8	3	114371-79040	BRUSH (-)	2	2	2	2	2			
9	3	114371-79050	BRUSH (+)	1	1	1	1	1			
10	3	114371-79060	SPRING, BRUSH	4	4	4	4	4			
11	2	114371-77170	COVER KIT, DUST	1	1	1	1	1			
12	2	114371-77180	LEVER KIT, SHIFT	1	1	1	1	1			
13	2	119631-77651	CASE ASSY, GEAR	1	1	1	1	1			
14	2	124097-77710	YOKE ASSY	1	1	1	1	1			
15	2	124195-77770	THROUGH BOLT	2	2	2	2	2			
16	2	119631-77780	PINION ASSY	1	1	1	1	1			
17	2	114371-79070	BOLT M 6X 37	2	2	2	2	2			
18	1	26116-120252	BOLT, M12X 25 PLATED	2	2	2	2	2		2	
19	1	26156-120302	BOLT, M12X 30 PLATED	2						1	
20	1	26736-120002	NUT, M12	2						1	

Remarks
 (1) FOR 3TNE68-SA04.
 (2) FOR 3TNE68-SA01,02,03.

(A)=3TNE68-SA
 (B)=3TNE68-G1A01
 (C)=3TNE68-G2A01

(D)=3TNE68C(E)SA
 (E)=3TNE68C(E)G1
 (F)=

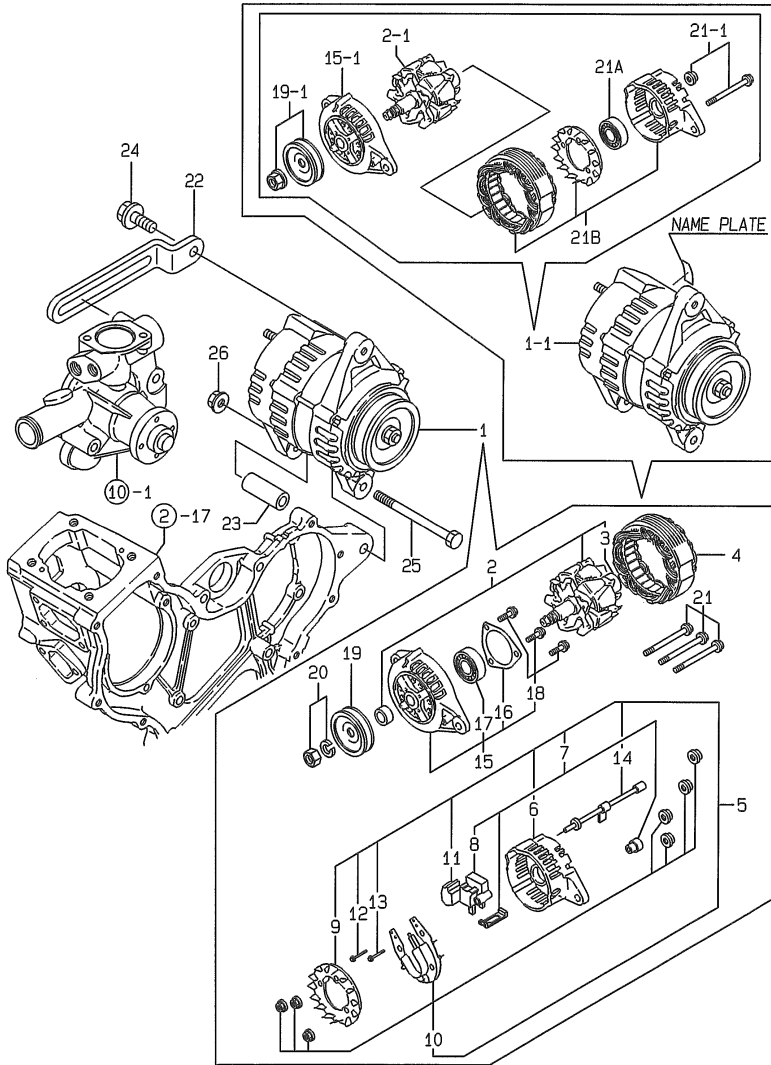


No.	Lev.	Parts No.	Description	Q'ty						I	R
				(A)	(B)	(C)	(D)	(E)	(F)		
1	1	119256-77010	MOTOR ASSY, STARTING	1	1	1	1	1			
2	2	X211461005	ARMATURE	1	1	1	1	1			
3	3	X2130350900	BALL BEARING	1	1	1	1	1			
4	3	X211425511	BALL BEARING	1	1	1	1	1			
5	2	X211442003	COIL ASSY, FIELD	1	1	1	1	1			
6	3	X21143215	SCREW, CORE	4	4	4	4	4			
7	3	X211469002	BRUSH (+)	2	2	2	2	2			
8	2	X211483003	COVER	1	1	1	1	1			
9	2	X211439001	HOLDER ASSY, BRUSH	1	1	1	1	1			
10	3	X211459002	BRUSH (-)	2	2	2	2	2			
11	3	X21147314	SPRING, BRUSH	4	4	4	4	4			
12	2	X211465505	CLUTCH ASSY, PINION	1	1	1	1	1			
13	3	X211465504	SHAFT, PINION	1	1	1	1	1			
14	3	X211429006	STOPPER SET	1	1	1	1	1			
15	3	X2114555500	CLUTCH ASSY	1	1	1	1	1			
16	4	X211495502	BEARING, BALL	1	1	1	1	1			
17	4	X224041010	BEARING, BALL	1	1	1	1	1			
18	2	X211476012	LEVER	1	1	1	1	1			
19	2	X211468005	BOLT, THROUGH	2	2	2	2	2			
20	2	171008-77571	DUST COVER,(NON-ASB.	1	1	1	1	1			
21	2	X21145866	BOLT	2	2	2	2	2			
22	2	X21142867	BOLT	3	3	3	3	3			
23	2	X2114765040	CASE ASSY, GEAR	1	1	1	1	1			
24	2	X2114145010	CENTER HOUSING	1	1	1	1	1			
25	2	171008-77531	MAGNETIC SWITCH ASSY	1	1	1	1	1			
26	2	X21142742	COVER (A), RUBBER	1	1	1	1	1			
27	1	26116-120252	BOLT, M12X 25 PLATED	2	2	2	2	2		2	
28	1	26156-120302	BOLT, M12X 30 PLATED	2						1	
29	1	26736-120002	NUT, M12	2						1	

Remarks

- (1) FOR 3TNE68-SA04.
- (2) FOR 3TNE68-SA01,02,03.

(A)=3TNE68-SA
 (B)=3TNE68-G1A01
 (C)=3TNE68-G2A01

 (D)=3TNE68C(E)SA
 (E)=3TNE68C(E)G1
 (F)=


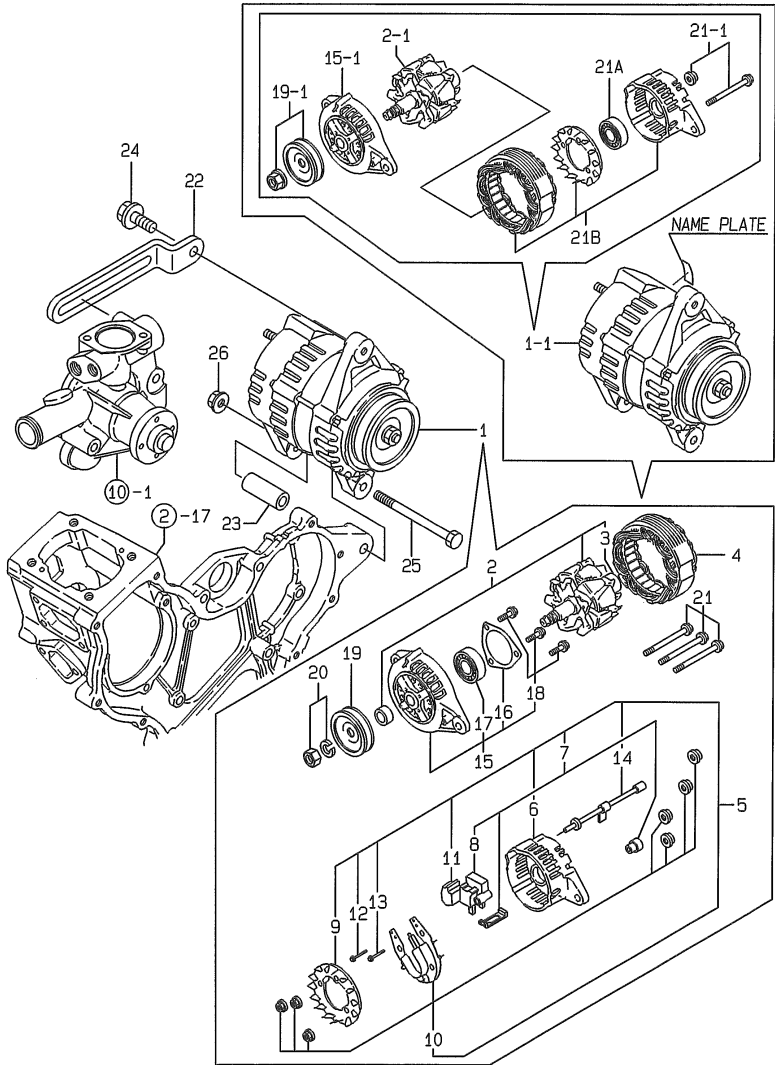
No.	Lev.	Parts No.	Description	Q'ty						I	R
				(A)	(B)	(C)	(D)	(E)	(F)		
1	1	119836-77200	GENERATOR	1	1	1	1	1			
1-1	1	119836-77201	GENERATOR (AC)	1	1	1	1	1		R	
		(A=E65609) (B=E65620) (C=E65487) (D=E65477) (E=E66358)									
1-2	1	119624-77201	GENERATOR	1	1	1	1	1		N	
		(A=E70457) (B=E70823) (C=E70482) (D=E75136) (E=E66359)									
2	2	119836-77700	ROTOR ASSY	1	1	1	1	1			
2-1	2	129612-77700	ROTOR ASSY	1	1	1	1	1		S	
		(A=E65609) (B=E65620) (C=E65487) (D=E65477) (E=E66358)									
3	3	119836-77850	BALL BEARING	1	1	1	1	1		Z	
		(A=E65609) (B=E65620) (C=E65487) (D=E65477) (E=E66358)									
4	2	119836-77710	STATOR ASSY	1	1	1	1	1		Z	
		(A=E65609) (B=E65620) (C=E65487) (D=E65477) (E=E66358)									
5	2	119836-77721	COVER ASSY, REAR	1	1	1	1	1		Z	
		(A=E65609) (B=E65620) (C=E65487) (D=E65477) (E=E66358)									
6	3	119836-77730	COVER, REAR	1	1	1	1	1		Z	
		(A=E65609) (B=E65620) (C=E65487) (D=E65477) (E=E66358)									
7	3	119836-77741	BRUSH ASSY,REGULATOR	1	1	1	1	1		Z	
		(A=E65609) (B=E65620) (C=E65487) (D=E65477) (E=E66358)									
8	4	119836-77750	BRUSH ASSY	1	1	1	1	1		Z	
		(A=E65609) (B=E65620) (C=E65487) (D=E65477) (E=E66358)									
9	3	119836-77760	GUIDE, FAN SIDE	1	1	1	1	1		Z	
		(A=E65609) (B=E65620) (C=E65487) (D=E65477) (E=E66358)									
10	3	119836-77770	DIODE ASSY	1	1	1	1	1		Z	
		(A=E65609) (B=E65620) (C=E65487) (D=E65477) (E=E66358)									
11	3	119836-77780	CONDENSER	1	1	1	1	1		Z	
		(A=E65609) (B=E65620) (C=E65487) (D=E65477) (E=E66358)									
12	3	119836-77871	BOLT (1)	1	1	1	1	1		Z	
		(A=E65609) (B=E65620) (C=E65487) (D=E65477) (E=E66358)									
13	3	119836-77880	BOLT (2)	1	1	1	1	1		Z	
		(A=E65609) (B=E65620) (C=E65487) (D=E65477) (E=E66358)									
14	3	119836-77890	WIRE ASSY, LEAD	1	1	1	1	1		Z	
		(A=E65609) (B=E65620) (C=E65487) (D=E65477) (E=E66358)									
15	2	119836-77790	COVER ASSY, FRONT	1	1	1	1	1			
15-1	2	129612-77730	BRACKET ASSY, FILTER	1	1	1	1	1		S	
		(A=E65609) (B=E65620) (C=E65487) (D=E65477) (E=E66358)									
16	3	119836-77800	RETAINER, BEARING	1	1	1	1	1		Z	
		(A=E65609) (B=E65620) (C=E65487) (D=E65477) (E=E66358)									
17	3	119836-77840	BALL BEARING	1	1	1	1	1		Z	
		(A=E65609) (B=E65620) (C=E65487) (D=E65477) (E=E66358)									
18	3	119836-77860	SCREW KID	1	1	1	1	1		Z	
		(A=E65609) (B=E65620) (C=E65487) (D=E65477) (E=E66358)									
19	2	119836-77810	PULLEY	1	1	1	1	1			
19-1	2	129612-77740	PULLEY	1	1	1	1	1		S	
		(A=E65609) (B=E65620) (C=E65487) (D=E65477) (E=E66358)									
19-2	2	119624-77720	PULLEY	1	1	1	1	1		S 1	
		(A=E70457) (B=E70823) (C=E70482) (D=E75136) (E=E66359)									
20	2	119836-77820	NUT ASSY, PULLEY	1	1	1	1	1		Z	
		(A=E65609) (B=E65620) (C=E65487) (D=E65477) (E=E66358)									
21	2	119836-77830	BOLT, THROUGH	1	1	1	1	1			
21-1	2	129612-77750	SCREW KIT	1	1	1	1	1		S	
		(A=E65609) (B=E65620) (C=E65487) (D=E65477) (E=E66358)									

Remarks
 (1) CERTAIN THE NAME PLATE.THEN PLACE
 YOUR ORDER.(REFER TO ILLUSTRATION)

(A)=3TNE68-SA
 (B)=3TNE68-G1A01
 (C)=3TNE68-G2A01

(D)=3TNE68C(E)SA
 (E)=3TNE68C(E)G1
 (F)=

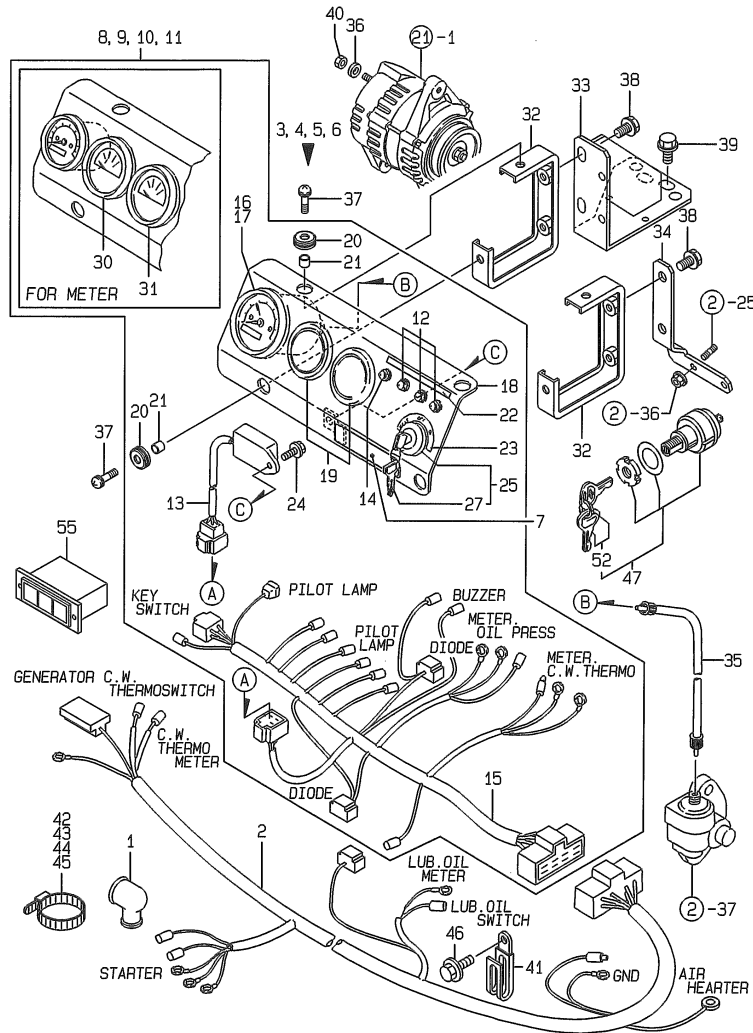
No.	Lev.	Parts No.	Description	Q'ty						I	R
				(A)	(B)	(C)	(D)	(E)	(F)		
21A	2	129612-77710	BEARING, BALL (A=E65609) (B=E65620) (C=E65487) (D=E65477)	1	1	1	1	1	1	W	
21B	2	119836-77920	BRACKET ASSY (A=E65609) (B=E65620) (C=E65487) (D=E65477)	1	1	1	1	1	1	W	
21B-1	2	129612-77760	BRACKET ASSY, REAR (A=E70457) (B=E70823) (C=E70482) (D=E75136)	1	1	1	1	1	1	S 1	
22	1	119225-77330	ADJUSTER	1	1	1	1	1	1		
23	1	129150-77340	SPACER	1	1	1	1	1	1		
24	1	26106-080182	BOLT, M8X 18 PLATED	1	1	1	1	1	1		
25	1	26106-081052	BOLT, M8X105 PLATED	1	1	1	1	1	1		
26	1	26366-080002	NUT, M8	1	1	1	1	1	1		
26-1	1	26306-080002	NUT, M8 (A=E70457) (B=E70823) (C=E70482) (D=E75136) (E=E66359)	1	1	1	1	1	1	N	



Remarks
 (1) CERTAIN THE NAME PLATE.THEN PLACE
 YOUR ORDER.(REFER TO ILLUSTRATION)

(A)=3TNE68-SA
(B)=3TNE68-G1A01
(C)=3TNE68-G2A01

(D)=3TNE68C(E)SA
(E)=3TNE68C(E)G1
(F)=



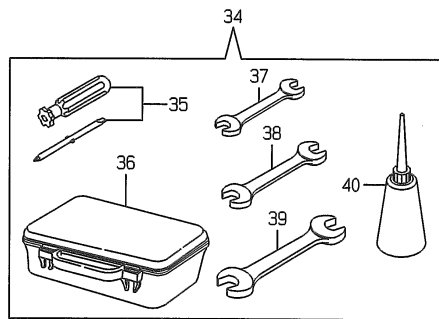
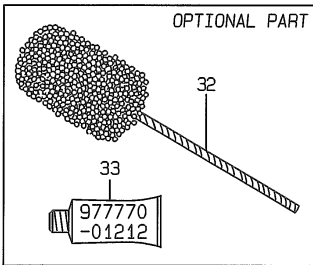
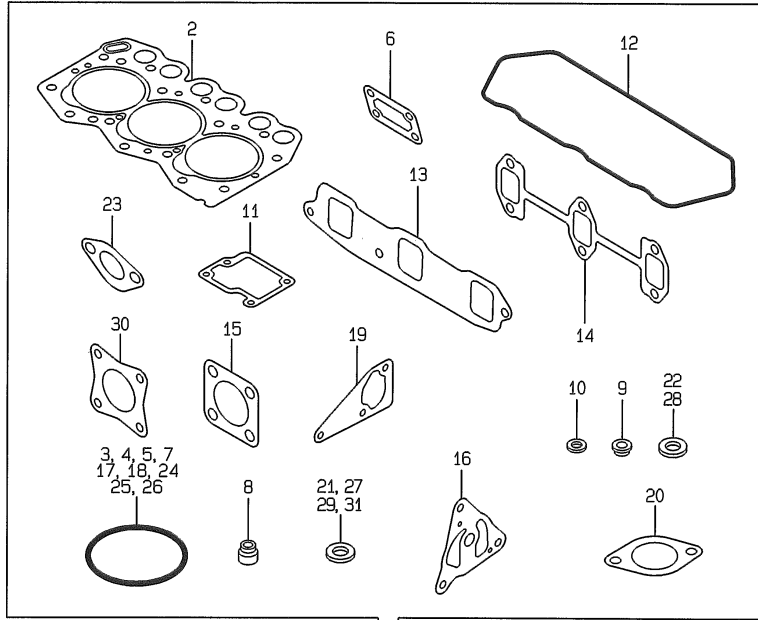
No.	Lev.	Parts No.	Description	Q'ty						I	R
				(A)	(B)	(C)	(D)	(E)	(F)		
1	1	119773-77030	COVER	1	1	1	1	1			
1-1	1	124550-77030	COVER, TERMINAL	1	1	1	1	1		R	
		(A=E-XXX) (B=E-XXX) (C=E-XXX) (D=E-XXX) (E=E-XXX)									
2	1	119888-91022	HARNES, WIRE	1	1	1	1	1			
3	1	119888-91101	PANEL ASSY	1		1	1				
4	1	119888-91301	PANEL ASSY, INSTRUM		1			1			
5	1	119888-91201	PANEL ASSY	1		1	1			1	
6	1	119888-91311	PANEL ASSY		1			1		1	
7	2	104507-07190	LABEL, YANMAR	1	1	1	1	1			
8	2	170121-91100	PANEL ASSY	1		1	1				
9	2	119888-91320	PANEL ASSY		1			1			
10	2	119888-91220	PANEL ASSY	1		1	1			1	
11	2	119888-91330	PANEL ASSY		1			1		1	
12	3	124732-77720	LAMP, CHARGING	3	3	3	3	3			
13	3	128300-77920	TIMER	1	1	1	1	1			
14	3	124559-77971	LAMP, PILOT	1	1	1	1	1			
15	3	119888-91031	HARNES, WIRE	1	1	1	1	1			
16	3	171080-91100	TACHOMETER	1		1	1				
16-1	3	171080-91101	TACHOMETER	1		1	1			N	
		(A=E81089) (C=E81369) (D=E75137)									
17	3	171082-91100	TACHOMETER		1			1			
18	3	119888-91110	BODY, PANEL	1	1	1	1	1			
19	3	124770-91220	COVER	2	2	2	2	2			
20	3	121400-91520	ABSORBER	4	4	4	4	4			
21	3	121400-91530	SPACER	4	4	4	4	4			
22	3	119888-91610	LABEL, CW & OIL LAMP	1	1	1	1	1			
23	3	119888-91620	LABEL, KEY SWITCH	1	1	1	1	1			
24	3	26106-060102	BOLT, M6X 10 PLATED	1	1	1	1	1			
25	3	933110-00100	SWITCH ASSY, STARTER	1	1	1	1	1			
27	4	933110-00301	KEY ASSY	2	2	2	2	2			
30	3	171010-77850	THERMOSTAT	1	1	1	1	1		1	
31	3	171090-91010	GAUGE	1	1	1	1	1		1	
32	1	119888-91120	SUPPORT	2	2	2	2	2			
33	1	119288-91130	BRACKET, PANEL	1	1	1	1	1			
34	1	119288-91140	SUPPORT	1	1	1	1	1			
35	1	124701-91140	CABLE, L=985	1	1	1	1	1			
36	1	22117-050000	WASHER, 5	1	1	1	1	1			
37	1	26033-060202	SCREW W/WASHER 6* 20	4	4	4	4	4			
38	1	26106-080122	BOLT, M8X 12 PLATED	4	4	4	4	4			
39	1	26106-100502	BOLT, M10X 50 PLATED	2	2	2	2	2			
40	1	26716-050002	NUT, M5	1	1	1	1	1			
41	1	194180-51640	CLAMP, HARNES	1	1	1	1	1			
42	1	121750-59890	BAND, 140			1					
43	1	121750-59890	BAND, 140	1	1	1	1	1			
44	1	121750-59890	BAND, 140	1	1		1	1			
45	1	121750-59890	BAND, 140	1	1		1	1			
46	1	26106-100122	BOLT, M10X 12 PLATED	1	1	1	1	1			
47	1	194215-52110	SWITCH, STARTING			1					
52	2	194155-52160	KEY ASSY			1					
55	1	170038-91310	UNIT, LAMP (RED)			1					

Remarks

(1) WITH C.W.THERMOMETER(REF.NO.30, P/# 171010-77850) & PRESSURE GAUGE(REF.NO.31,P/# 171090-91010).

(A)=3TNE68-SA
(B)=3TNE68-G1A01
(C)=3TNE68-G2A01

(D)=3TNE68C(E)SA
(E)=3TNE68C(E)G1
(F)=



No.	Lev.	Parts No.	Description	Q'ty						I	R
				(A)	(B)	(C)	(D)	(E)	(F)		
1	1	719265-92790	GASKET SET	1	1	1	1	1			1
1-1	1	719265-92791	GASKET SET	1	1	1	1	1			N 1
		(A=E65790) (B=E6574) (C=E66710) (D=E75136) (E=E66358)									
2	2	119265-01341	GASKET, HEAD	1	1	1	1	1			
3	2	24311-000120	O-RING, 1AP12.0	2	2	2	2	2			
4	2	24311-000320	O-RING, 1AP32.0	2	2	2	2	2			
5	2	24341-000240	O-RING, 1AS24.0	1	1	1	1	1			
6	2	119660-01562	GASKET	1	1	1	1	1			
7	2	24311-000180	O-RING, 1AP18.0	1	1	1	1	1			
8	2	119260-11340	SEAL, VALVE STEM	6	6	6	6	6			
9	2	119600-11450	PROTECTOR, NOZZLE	3	3	3	3	3			
10	2	119600-11460	GASKET, NOZZLE	6	6	6	6	6			
11	2	119260-03031	GASKET	1	1	1	1	1			
12	2	119260-11310	GASKET, BONNET	1	1	1	1	1			
13	2	119270-12110	GASKET, MANIFOLD	1	1	1	1	1			
14	2	119260-13110	GASKET	1	1	1	1	1			
15	2	121000-13201	GASKET, SILENCER	3	3	3	3	3			
16	2	119660-32020	GASKET, PUMP	1	1	1	1	1			
17	2	24321-000600	O-RING, 1AG60.0	1	1	1	1	1			
18	2	24321-000700	O-RING, 1AG70.0	1	1	1	1	1			
19	2	119260-42020	GASKET, WATER PUMP	1	1	1	1	1			
19-1	2	119260-42021	GASKET, WATER PUMP	1	1	1	1	1			N
		(A=E65790) (B=E6574) (C=E66710) (D=E75136) (E=E66358)									
20	2	129350-49541	GASKET	1	1	1	1	1			
21	2	124465-44950	GASKET, 16	3	3	3	3	3			
22	2	22190-080002	WASHER, SEAL 6	4	4	4	4	4			
23	2	121520-01851	GASKET	1	1	1	1	1			
24	2	119624-32040	O-RING, P12.0	2	2	2	2	2			
25	2	24311-240100	O-RING, 1AP10A	1	1	1	1	1			
26	2	119209-35030	O-RING, P11	1	1	1	1	1			
27	2	129150-49360	GASKET	1	1	1	1	1			
28	2	22190-060002	WASHER, SEAL 6	1	1	1	1	1			
29	2	104200-59170	GASKET, 12	2	2	2	2	2			
29-1	2	22190-120002	WASHER, SEAL 12	2	2	2	2	2			N
		(A=E64118) (B=E64345) (C=E64120) (D=E64240) (E=E64359)									
30	2	124701-11911	GASKET, SILENCER	1	1	1	1	1			
31	2	23414-140000	GASKET, 14X1.0	3	3	3	3	3			
31-1	2	22190-140002	WASHER, SEAL 14	3	3	3	3	3			N
		(A=E64118) (B=E64345) (C=E64120) (D=E64240) (E=E64359)									
32	1	129400-92400	FLEX HORN	1	1	1	1	1			1
33	1	977770-01212	GASKET, LIQUID	1	1	1	1	1			1
34	1	721400-92102	BOX ASSY, TOOL	1	1	1	1	1			
35	2	104200-92350	DRIVER, SCREW	1	1	1	1	1			
36	2	104200-92600	BOX, TOOL	1	1	1	1	1			
37	2	28110-100120	SPANNER, 10X12	1	1	1	1	1			
38	2	28110-140170	SPANNER, 14X17	1	1	1	1	1			
39	2	28110-190220	SPANNER, 19X22	1	1	1	1	1			
40	2	28210-000140	OILER	1	1	1	1	1			

Remarks
(1) OPTIONAL PART.



Parts No. Index

Parts No.	Fig. No.	Ref. No.
101304-59020	17	20
101720-55750	17	14
102103-55520	17	9
103854-59191	17	29
104200-55321	17	5
104200-55330	17	6
104200-55341	17	7
104200-55750	17	15
104200-59170	17	35
	23	29
104200-66820	18	7
104200-66830	18	8
104200-66850	18	9
104200-66860	18	10
104200-92350	23	35
104200-92600	23	36
104264-59030	17	24
		27
104507-07190	22	7
104514-42780	10	17
105010-11230	4	37
		43
105025-59550	16	55 -1
105027-12570	5	9
105546-51330	12	26
	13	26
105582-59150	17	28
110250-55610	17	10
114250-11120	4	17
114250-11180	4	18
114250-39450	9	42 -1
114250-53130	16	8
114250-53400	16	10
114371-77110	19	5
114371-77140	19	6
114371-77160	19	7
114371-77170	19	11
114371-77180	19	12
114371-79040	19	8
114371-79050	19	9
114371-79060	19	10
114371-79070	19	17
118400-03060	4	55
119000-59560	16	55 A
119131-18320	6	6
		12
119209-35030	9	39
	23	26
119209-42320	10	10 -1
119209-59810	16	30

Parts No.	Fig. No.	Ref. No.
119209-59820	16	37
119209-59830	16	44
119225-14200	7	18
119225-14210	7	24
119225-34810	9	22
119225-35300	9	28
119225-51100	12	5
	13	5
119225-51300	12	23
	13	23
119225-59560	16	60
119225-59810	16	31
119225-77330	21	22
119232-61510	14	30 -1
	15	27
119232-61540	14	48
	15	43
119232-61550	14	30
119233-12700	5	11
119233-21691	8	9 -1
		11 -1
119245-66010	15	62 -1
119253-13100	6	1
119255-55620	17	4 -1
119256-77010	20	1
119259-44570	11	5
119260-01490	2	17
119260-01510	2	20
119260-01590	2	1
119260-01770	3	16
119260-02020	1	7
119260-02800	1	17
119260-02930	1	20
119260-03020	4	53
119260-03031	4	54
	23	11
119260-07900	4	2
119260-11100	4	15
119260-11110	4	16
119260-11200	4	26
119260-11240	4	28
119260-11260	4	31
119260-11270	4	33
119260-11280	4	34
119260-11310	4	57
	23	12
119260-11330	4	51
119260-11331	4	51 -1
119260-11340	4	19
	23	8

Parts No.	Fig. No.	Ref. No.
119260-11370	4	20
119260-11800	4	9
119260-13100	6	11
119260-13110	6	2
	23	14
119260-14100	7	7
119260-14200	7	1
119260-14400	7	2
119260-14580	7	3
119260-21200	8	5
119260-21650	8	9
		11
119260-23910	8	45
119260-25100	7	11
119260-32000	9	1
119260-34810	9	23
119260-35081	9	40
119260-42020	10	13
	23	19
119260-42021	10	13 -1
	23	19 -1
119260-59020	17	23
119260-59520	16	53
119260-59530	16	54
119260-59540	16	51
119260-59550	16	55
119260-59820	16	38
119260-59830	16	45
119260-66010	14	70
119260-66720	14	122
119265-01250	1	6 -1
119265-01341	1	24
	23	2
119265-11260	4	32
119265-11700	4	5
119265-13800	6	14 -1
119265-13810	6	8 -1
119265-13830	6	13 -1
119265-21560	8	22 -1
119265-21590	8	18 -1
119265-21700	8	1
119265-22090	8	31
119265-22300	8	29
119265-22500	8	34
119265-22601	8	30
119265-22900	8	50
119265-22930	8	49
119265-22950	8	53
119265-23100	8	41
119265-23200	8	46

Parts No.	Fig. No.	Ref. No.
119265-35300	9	29
119265-42002	10	1
119265-44941	11	12
119265-44950	11	13
119265-49010	11	33
119265-49050	9	19 A
119265-49060	9	19 -1
119265-49090	9	19 B
119265-49100	11	32
119266-01200	1	23
119266-02410	1	12
119266-51900	12	47
	13	47
119266-59501	16	62
119266-59540	16	51 -1
119266-59570	16	63
119266-59580	16	64
119266-61460	15	145 -1
119270-12110	5	2
	23	13
119275-12100	5	1
119275-12101	5	1 -1
119280-01600	3	2
119280-01601	3	2 -1
119280-49020	11	30
119285-34821	9	24
119285-66080	14	58
	15	52
119285-66600	15	154 -1
119285-66620	15	155
119285-66650	15	163
119288-08100	11	1
119288-13501	6	34
119288-49010	11	29
119288-55901	14	1
	15	1
119288-61200	14	16
119288-61510	14	31
119288-66120	18	28
119288-66160	18	29
119288-91130	22	33
119288-91140	22	34
119305-35150	9	27
119309-59590	16	61
119358-13640	6	21
119454-01721	3	14
119462-12550	5	17
119489-11200	4	27
119489-12600	5	18
119489-66010	14	71



Parts No. Index

Parts No.	Fig. No.	Ref. No.
119489-66010	15	63
119489-66500	14	83
	15	66
119600-01600	3	6
119600-11450	4	21
	23	9
119600-11460	4	22
	23	10
119600-21580	8	18
119600-52021	17	2
119600-61100	14	5
119600-61200	14	6
119600-61300	15	5
119600-61400	15	6
119600-61541	14	49
	15	44
119600-61650	14	51
119600-61900	14	56
	15	50
119600-66020	14	69
	15	62
119600-66530	14	74
	15	65 -1
119600-66720	15	104 -1
119600-66840	14	157
	15	154
119610-66700	14	121
	15	103
119620-01530	14	119 -1
	15	102 -1
119620-01620	3	9
119620-01750	3	4
119620-01800	2	4
119620-02450	7	4
119620-11350	4	48
119620-13501	6	16
119620-13510	6	17
119620-13520	6	18
119620-13560	6	19
119620-21500	8	17
119620-21591	8	22
119620-21941	8	10
119620-25912	7	13
119620-42350	10	16
119620-51170	12	8
	13	8
119620-51180	12	9
	13	9
119620-51190	12	10
	13	10

Parts No.	Fig. No.	Ref. No.
119620-51250	12	11
	13	11
119620-51340	12	27
	13	27
119620-51350	12	28
	13	28
119620-51370	12	29
	13	29
119620-51450	12	30
	13	30
119620-51461	12	31
	13	31
119620-51510	12	33
	13	33
119620-51650	12	35
	13	35
119620-51660	12	36
	13	36
119620-51670	12	37
	13	37
119620-51680	12	38
	13	38
119620-51700	12	39
	13	39
119620-53000	16	2
119620-53080	16	5
119620-53120	16	7
119620-53140	16	9
119620-59700	16	56
119620-77820	4	63
119621-01611	3	7
119621-21680	8	8
119621-44500	11	4
119621-44560	11	10
119621-59010	17	19
119621-66051	14	72
	15	64
119621-66500	14	82
	15	65
119621-66610	14	171
	15	149
119621-66710	14	173
	15	151
119623-01950	2	26
119623-49010	11	36
119623-49100	11	35
119623-61200	14	17
	15	15
119624-32040	2	6
	23	24

Parts No.	Fig. No.	Ref. No.
119624-77201	21	1 -2
119624-77720	21	19 -2
119626-12500	5	5
119626-12501	5	5 -1
119626-12510	5	6
119626-12800	5	11 A
119629-66510	14	75
	15	66 -1
119631-77011	19	1
119631-77651	19	13
119631-77780	19	16
119632-49020	11	30 -1
119632-61200	14	15
	15	15 -1
119642-33030	9	14
119642-33100	9	15
119642-49030	9	18
119645-49020	11	52
119653-12500	5	12
119653-66500	14	115
	15	98
119654-66700	14	120
	15	104
119655-12560	5	8
		14
119660-01551	2	23
119660-01562	2	24
	23	6
119660-01570	2	25
119660-01640	3	10
119660-01821	7	17
119660-01911	2	5
119660-25022	7	9
119660-25052	7	10
119660-25920	7	28
119660-25930	7	29
119660-32020	9	11
	23	16
119660-51500	12	32
	13	32
119660-51530	12	34
	13	34
119660-61052	14	21
	15	18
119660-61060	14	3
	15	3
119660-61071	14	4
	15	4
119660-61121	14	12
	15	12

Parts No.	Fig. No.	Ref. No.
119660-61140	14	13
	15	13
119660-61150	14	14
	15	14
119660-61300	14	10
	15	10
119660-61341	14	11
	15	11
119660-61460	14	22
	15	19
119660-61491	14	55
119660-61590	14	55 -1
	15	49
119660-61651	14	50
	15	45
119660-61901	14	57
	15	51
119685-61940	14	67
	15	60
119685-61950	14	68
	15	61
119688-21590	8	13
119688-21591	8	13 -1
119688-44950	11	14
119688-44961	11	15
119688-44972	11	16
119688-49010	11	53
119773-77030	22	1
119808-12540	5	7
		16
119810-55340	17	7 -1
119823-13600	6	5
119836-77200	21	1
119836-77201	21	1 -1
119836-77700	21	2
119836-77710	21	4
119836-77721	21	5
119836-77730	21	6
119836-77741	21	7
119836-77750	21	8
119836-77760	21	9
119836-77770	21	10
119836-77780	21	11
119836-77790	21	15
119836-77800	21	16
119836-77810	21	19
119836-77820	21	20
119836-77830	21	21
119836-77840	21	17
119836-77850	21	3



Parts No. Index

Parts No.	Fig. No.	Ref. No.
119836-77860	21	18
119836-77871	21	12
119836-77880	21	13
119836-77890	21	14
119836-77920	21	21 B
119840-13150	6	3
119865-12600	5	19
119865-21600	8	16
		21
119888-08110	11	2
119888-21450	8	26
119888-66110	18	3
119888-66130	18	4
119888-66160	18	1
119888-91022	22	2
119888-91031	22	15
119888-91101	22	3
119888-91110	22	18
119888-91120	22	32
119888-91201	22	5
119888-91220	22	10
119888-91301	22	4
119888-91311	22	6
119888-91320	22	9
119888-91330	22	11
119888-91610	22	22
119888-91620	22	23
119988-61460	14	66
	15	59
121000-13201	6	4
		32
		33
	23	15
121023-01550	2	14
121024-59090	17	22
		26
121111-21501	8	12
121120-01620	3	3
121250-44590	11	8
121250-44901	10	27
121250-55620	17	11
121254-55510	17	8
121256-44600	11	51
121267-44760	10	19
121400-01640	3	17
121400-44650	11	11
121400-91520	22	20
121400-91530	22	21
121450-01560	2	21
121450-42450	10	26

Parts No.	Fig. No.	Ref. No.
121465-59950	14	2
	15	2
121520-01851	17	1
	23	23
121550-49111	10	25
121575-66830	14	155
	15	59 -1
		136
121750-59890	11	43
	22	42
		43
		44
		45
121855-13821	6	22
121855-13830	6	23
123500-13840	6	24
124060-01050	1	5
124060-21600	8	25
124060-59380	17	31
124066-59100	16	52
		52 -1
124085-02220	3	12
124097-77710	19	14
124160-01751	2	12
	4	75
124160-11360	4	60
124160-39450	9	42
124195-77770	19	15
124250-49351	10	30
124298-77020	19	4
124450-44510	11	45
124450-44530	11	47
124450-44550	11	50
124450-44560	11	48
124465-44950	10	28
		29
	23	21
124550-55700	17	12
124550-66370	14	73
	15	61 -1
124550-77030	22	1 -1
124559-77971	22	14
124664-13580	6	20
124700-44740	10	18
124701-11911	6	15
	23	30
124701-91140	22	35
124732-77720	22	12
124766-59050	11	34
		37

Parts No.	Fig. No.	Ref. No.
124766-59050	16	59
	17	21
		25
124770-91220	22	19
126650-12680	5	10
126650-66020	18	2
127694-91050	11	17
128300-77920	22	13
129100-01580	3	1
	8	2
129100-61930	14	65
	15	152
129122-44480	9	16
		17
129132-44530	11	7
129150-35350	9	38
129150-49080	11	39
129150-49100	11	38
129150-49360	10	31
	23	27
129150-59120	16	24
129150-59131	16	27
129150-77340	21	23
129150-91400	2	37
129155-51280	14	18
	15	16
129155-61480	14	25
	15	22
129155-61830	16	23
129209-61940	15	158
129209-61970	15	153
129350-49530	10	21
129350-49541	10	22
	23	20
129350-49800	10	23
129400-92400	23	32
129403-49050	9	19
129612-77700	21	2 -1
129612-77710	21	21 A
129612-77730	21	15 -1
129612-77740	21	19 -1
129612-77750	21	21 -1
129612-77760	21	21 B-1
129795-77800	4	62
144626-91560	9	44
170038-91310	22	55
170064-67210	18	20
170121-91100	22	8
171002-66830	14	156
	15	136 -1

Parts No.	Fig. No.	Ref. No.
171008-03990	9	13
171008-77531	20	25
171008-77571	20	20
171010-77850	22	30
171048-67010	18	5
171048-67130	18	14
171048-67140	18	15
171056-49120	10	14
171059-55600	17	4
171080-91100	22	16
171080-91101	22	16 -1
171082-91100	22	17
171085-67100	18	11
171085-67110	18	12
171085-67120	18	13
171090-91010	22	31
171102-66080	18	6
171375-39601	9	43
174307-51700	14	32
	15	28
194155-52160	22	52
194180-51640	22	41
194215-52110	22	47
194990-22050	2	35
	14	169
	15	147
22111-060000	14	158
	15	137
		137 -1
22117-040000	14	52
	15	46
22117-050000	22	36
22117-060000	18	21
22137-080000	11	18
		54
22137-100000	18	22
22190-060002	17	32
	23	28
22190-060003	14	159
	15	138
		138 -1
		138 -2
22190-080002	12	48
	13	48
	16	65
	17	33
		34
	23	22
22190-120002	14	160
	15	139



Parts No. Index

Parts No.	Fig. No.	Ref. No.
22190-120002	15	139 -1
	17	35 -1
	23	29 -1
22190-140002	16	57 -1
	23	31 -1
22217-100000	11	19
	18	23
22242-000100	4	47
22242-000200	7	15
22252-000200	8	40
22272-000040	14	53
	15	47
22272-000050	18	24
22351-020006	18	16
22351-030010	8	59
		60
22351-030014	14	54
	15	48
22351-040010	2	22
	14	62
	15	56
22351-060012	4	25
22360-040000	14	161
	15	140
22360-060000	14	162
	15	141
22411-200150	18	17
22512-040120	7	8
		22
		30
	8	6
22857-500100	4	58
23000-054000	5	23
23010-038000	11	31
23061-070230	11	49
23065-120500	4	1
23414-120016	15	156
23414-140000	16	57
	23	31
23418-060000	17	16
23871-030000	4	12
23876-030000	4	12 -1
24101-062034	7	32
24102-063034	7	23
		31
24104-062054	8	27
24311-000120	4	61
	23	3
24311-000150	15	160
24311-000180	3	19

Parts No.	Fig. No.	Ref. No.
24311-000180	23	7
24311-000210	10	10
24311-000320	2	13
	4	76
	23	4
24311-240100	9	25
	17	17
	23	25
24321-000600	9	20
	23	17
24321-000700	9	21
	23	18
24341-000070	14	63
	15	57
24341-000240	2	15
		39
	23	5
24341-000280	14	117
	15	100
26014-060352	10	20
26014-080162	11	9
26014-080702	17	18
26022-040082	12	45
	13	45
26033-040102	12	46
	13	46
26033-060202	22	37
26106-060102	3	20
	9	26
	14	64
	15	58
	18	25
	22	24
26106-060122	1	25
	5	24
	7	16
	9	41
26106-060162	2	7
		16
	5	3
	7	33
	15	101
	17	3
26106-060222	3	13
26106-060282	5	4
26106-060302	2	8
26106-060352	6	13
26106-060402	2	9
	6	7
		25

Parts No.	Fig. No.	Ref. No.
26106-060452	3	21
26106-060502	2	10
26106-060652	2	11
26106-060702	14	163
	15	142
26106-060752	14	164
	15	143
26106-060952	14	119
	15	102
26106-080122	5	25
	11	20
	22	38
26106-080142	4	3
		4
26106-080162	11	20 -1
		21
		44
	18	27
26106-080182	21	24
26106-080202	10	24
	11	22
26106-080222	8	28
26106-080252	11	23
26106-080452	4	49
	10	15
26106-080552	6	26
26106-081052	21	25
26106-100122	22	46
26106-100202	11	3
26106-100502	22	39
26116-050102	14	165
	15	144
26116-060082	18	18
26116-060304	14	166
	15	145
26116-100202	3	8
26116-100302	11	24
26116-120252	19	18
	20	27
26156-120302	19	19
	20	28
26206-100252	3	5
26216-060402	6	8
26216-080282	6	9
26306-080002	4	50 -1
	6	29 -1
		31 -1
	11	26 -1
	21	26 -1
26347-040002	6	27

Parts No.	Fig. No.	Ref. No.
26347-060002	6	28
26366-060002	2	36
	6	14
	11	25
26366-080002	4	50
	6	10
		29
		31
	11	26
	14	169 -1
	15	147 -1
	21	26
26450-060202	9	12
26557-040352	6	30
26587-080102	7	34
26657-100002	18	26
26716-050002	22	40
26716-100002	11	27
26736-120002	14	168 -1
	15	60 -2
	19	20
	20	29
26756-050002	18	30
26756-060002	4	40
		46
	14	167
	15	146
26756-100002	11	28
26776-120002	14	168
	15	60 -1
26857-060002	15	61 -2
26921-050122	18	19
27221-050080	4	13
27221-060100	1	13
27231-400000	1	6
27241-100000	1	14
27241-250000	1	15
27241-300000	1	16
27241-350000	4	14
28110-100120	23	37
28110-140170	23	38
28110-190220	23	39
28210-000140	23	40
714250-11570	4	23
719215-51710	13	1
719225-51100	12	1
719255-59560	16	58
719260-02870	1	26
719260-11650	4	35
719260-11660	4	41



Parts No. Index

Parts No.	Fig. No.	Ref. No.
719260-23600	8	47
719260-23610	8	57
719265-01560	1	1
719265-51700	13	2
719265-92790	23	1
719265-92791	23	1 -1
719266-51100	12	1 -1
		2
719489-11650	4	36
719489-11660	4	42
719620-53700	16	1
721400-92102	23	34
933110-00100	22	25
933110-00301	22	27
977770-01212	2	40
	3	22
	23	33
X2114145010	20	24
X211425511	20	4
X21142742	20	26
X21142867	20	22
X211429006	20	14
X21143215	20	6
X211439001	20	9
X211442003	20	5
X2114555500	20	15
X21145866	20	21
X211459002	20	10
X211461005	20	2
X211465504	20	13
X211465505	20	12
X211468005	20	19
X211469002	20	7
X2114715500	19	2
X21147314	20	11
X211476012	20	18
X2114765040	20	23
X2114811000	19	3
X211483003	20	8
X211495502	20	16
X2130350900	20	3
X224041010	20	17
X2411365340	11	6

Parts No.	Fig. No.	Ref. No.
-----------	----------	----------

Parts No.	Fig. No.	Ref. No.
-----------	----------	----------

Parts No.	Fig. No.	Ref. No.
-----------	----------	----------